

## **AT-142-3 42020300003 UPPER**

**PB1000579-00 HYDRAULIC PRESSURE GENERATING SYSTEM  
PC1000298-02 OUTRIGGER SYSTEM  
PD1000350-01 SWING SYSTEM  
PE1000350-01 ELEVATING SYSTEM  
PF1000325-01 WINCH SYSTEM  
PG1000318-02 TELESCOPING SYSTEM  
PH1000310-02 SAFETY DEVICES  
PJ3000075-03 BUCKET SYSTEM  
PK1000359-00 FRAME  
PL1000363-01 CONTROL DEVICES  
PN1000132-02 ELECTRIC EQUIPMENT  
PO1000131-03 INDICATION PLATES  
PV1000068-00 REMOTE CONTROL SYSTEM  
PW1000118-00 ACCESSORIES & TOOLS  
PX1000385-02 MOUNTING PARTS  
PY1000575-02 OPTIONS  
ASSEMBLY**

CLICK HERE TO **DOWNLOAD** THE COMPLETE MANUAL

- Thank you very much for reading the preview of the manual.
- You can download the complete manual from: [www.heydownloads.com](http://www.heydownloads.com) by clicking the link below



- Please note: If there is no response to CLICKING the link, please download this PDF first and then click on it.

CLICK HERE TO **DOWNLOAD** THE COMPLETE MANUAL

# AT-142-3 42020300003 UPPER

Pos No.	Parts No	Parts Name	Qty	Unit	Technical Data	Serial No (Start)	Serial
1	(*****)	HOOK (1-PART LINE WITH ROPE)	1				
2	(*****)	SUPPORT	1				
	(*****)	SUPPORT (WINCH JIB,OPTION)	1				
	(*****)	SUPPORT (WINCH JIB,FOR HOKURIKUDENKOU)	1				
3	(*****)	PIPING,WINCH	1				
4	(*****)	WINCH,JIB (SUPPORT)	1				
5	(*****)	WINCH,JIB (COVER,WHITE)	1				
	(*****)	WINCH,JIB (COVER,BLUE)	1				
6	(*****)	WINCH,JIB (VINYL COATING,YELLOW)	1				
	(*****)	WINCH,JIB (YELLOW)	1				
	(*****)	WINCH,JIB (FRP,INSULATION,YELLOW)	1				
	(*****)	WINCH,JIB (FRP,INSULATION,GRAY)	1				
7	(*****)	MOUNT,WINCH (WITHOUT JIB STOWING)	1				

# AT-142-3 42020300003 UPPER

Pos No.	Parts No	Parts Name	Qty	Unit	Technical Data	Serial No (Start)	Serial No (End)
1	(*****)	OPERATION SYSTEM, CONTROL VALVE	1				
2	(*****)	OPERATION SYSTEM, BUCKET	1				

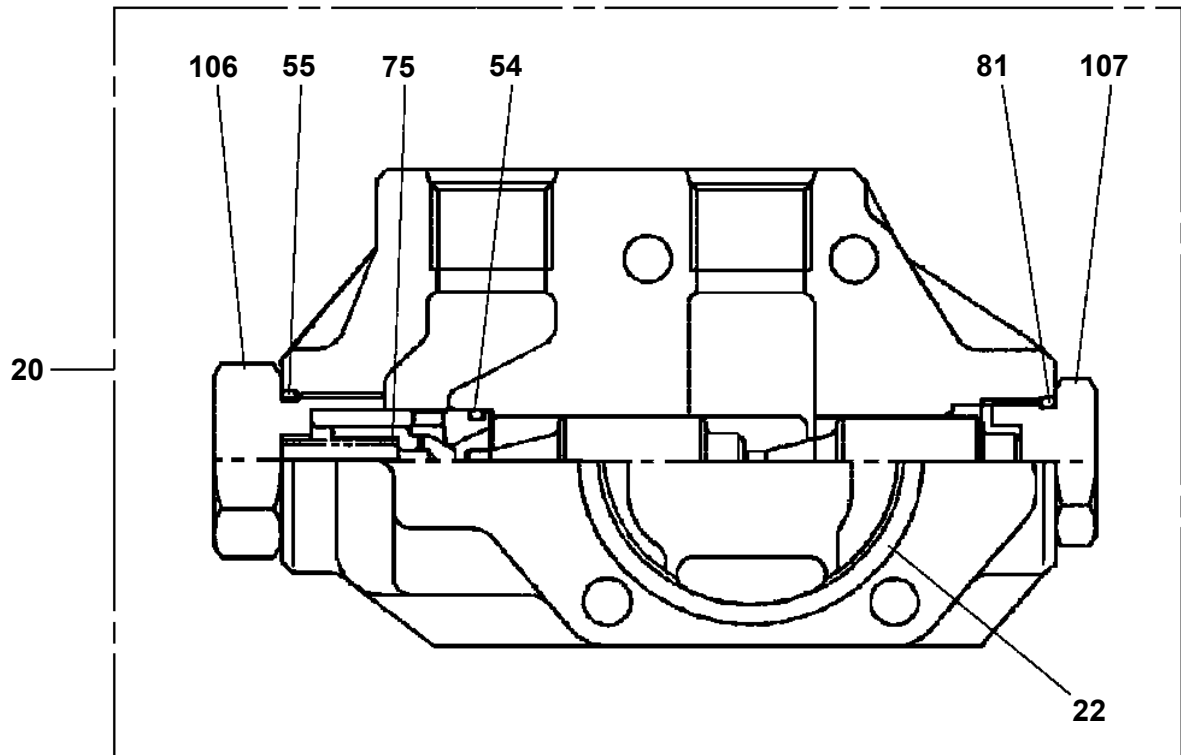
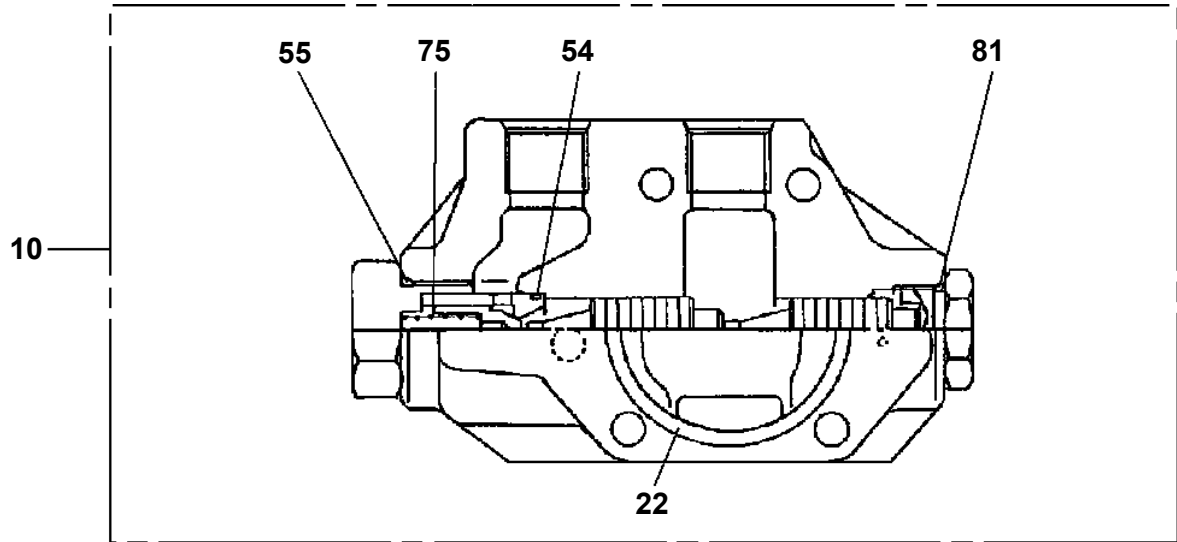
# AT-142-3 42020300003 UPPER

Pos No.	Parts No	Parts Name	Qty	Unit	Technical Data	Serial No (Start)	Serial
1	(***** *****)	TANK SUPPORT INSTALLATION	1				590103
	(***** *****)	TANK SUPPORT INSTALLATION	1				
2	(***** *****)	COVER (KER TYPE,EMERGENCY)	1			590104	
3	(***** *****)	MOUNT,LAMP (BUCKET,FOR NTT,OPTION)	1				
4	(***** *****)	BOX,TOOL (BUCKET COOLER)	1				
5	(***** *****)	MOUNT,TIRE (MODIFICATION,FOR OIL COOLER)	1				
6	(***** *****)	MOUNT,SUPPORT (BUCKET COOLER)	1				

# AT-142-3 42020300003 UPPER

Pos No.	Parts No	Parts Name	Qty	Unit	Technical Data	Serial No (Start)	Serial No (End)	R
3	36651785010	KEY	1					
5	36651785020	SEAL,OIL	1					
11	36651785030	O-RING	1					
50	36651780000	PUMP,HYDRAULIC (MOTOR UNIT)	1					

**AT-142-3 42020300003 UPPER  
PB1320209-03 VALVE,MANUAL CONTROL (OUTRIGGER)**



**AT-142-3 42020300003 UPPER**

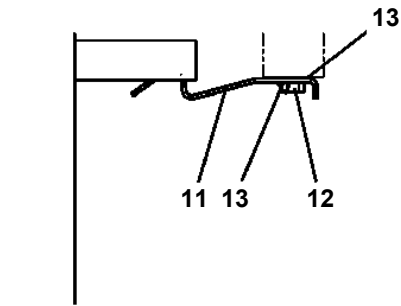
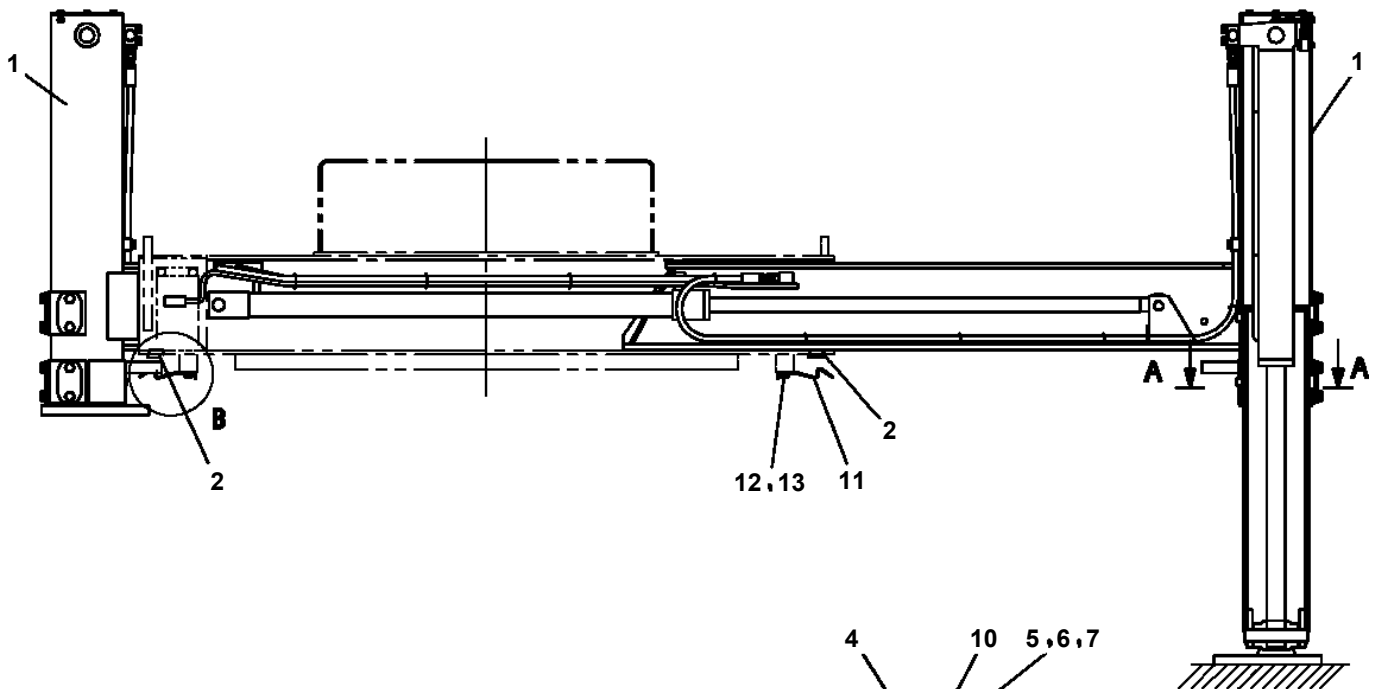
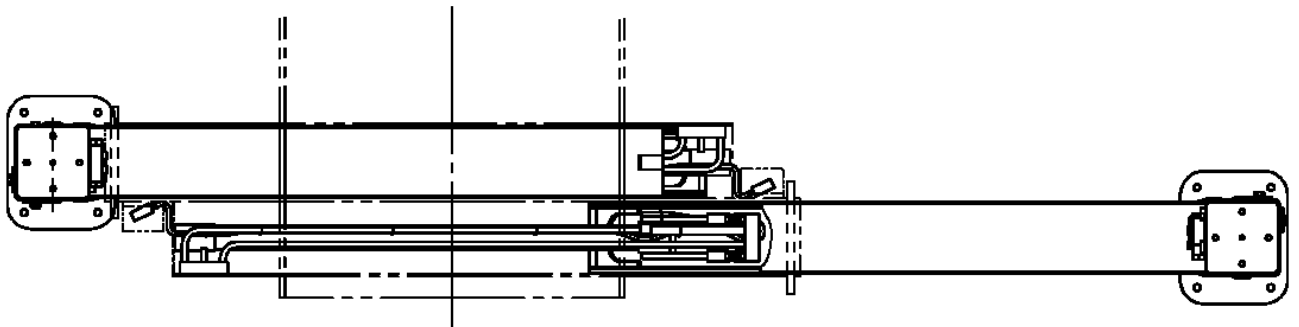
Pos No.	Parts No	Parts Name	Qty	Unit	Technical Data	Serial No (Start)	Serial No (End)	Remarks	Pages
1	42420504010	HARNESS	1						000107
2	37002705820	CABLE ASSY	1		L=4000				
3	37002705830	CABLE ASSY	1						
4	37002705840	CABLE ASSY	1		L=300				
5	91810132530	FASTENER	10						
6	82100002596	RELAY	5						
7	90101206012	BOLT	5		M6X12				
8	90302040601	WASHER,SPRING	7		6				
9	90303070601	WASHER,PLAIN	1		6				
10	90101206016	BOLT	2		M6X16				
11	42800301300	RELAY	1						

# AT-142-3 42020300003 UPPER

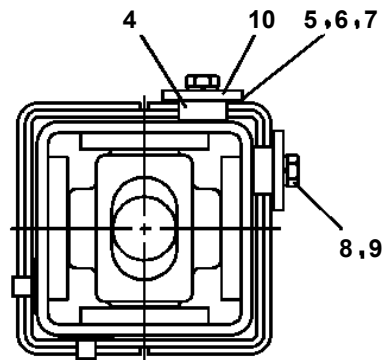
Pos No.	Parts No	Parts Name	Qty	Unit	Technical Data	Serial No (Start)	Serial No (End)	Remarks	Pages
1	42420852100	SUPPORT	1						
2	42420812200	COVER	1						
3	90101206016	BOLT	23		M6X16				
4	90302040601	WASHER,SPRING	31		6				
5	37000512320	PLATE	17						
6	42420812300	COVER	1						
7	42420812400	SUPPORT	1						
8	82100002002	CLAMP	1		WR6				
9	42820171600	CUSHION	4						
10	90201201000	NUT	8		M10				
11	90303070601	WASHER,PLAIN	13		6				
12	90101206012	BOLT	4		M6X12				
13	90302040401	WASHER,SPRING	4		4				
15	36900260000	MOTOR,ELECTRIC	1						00021
17	42420502600	COVER	1						
18	42420502700	COVER	1						
19	42420501100	BLOWER	1						
21	90101204012	BOLT	4		M4X12				
22	90303070401	WASHER,PLAIN	4		4				
23	90813106015	BOLT	4		M6X15				
25	42421032100	COVER	1						
28	90302041001	WASHER,SPRING	8		10				
51	90302041201	WASHER,SPRING	3		12				
52	90171112025	BOLT	3		M12X25				
54	82100002002	CLAMP	1		WR6				
77	82400000205	GROMMET	1						
87	82400000201	GROMMET	2		KG-016				
101	42420507510	CLAMP	1						

AT-142-3 42020300003 UPPER  
PC1010561-00 OUTRIGGER (REAR)

FRONT

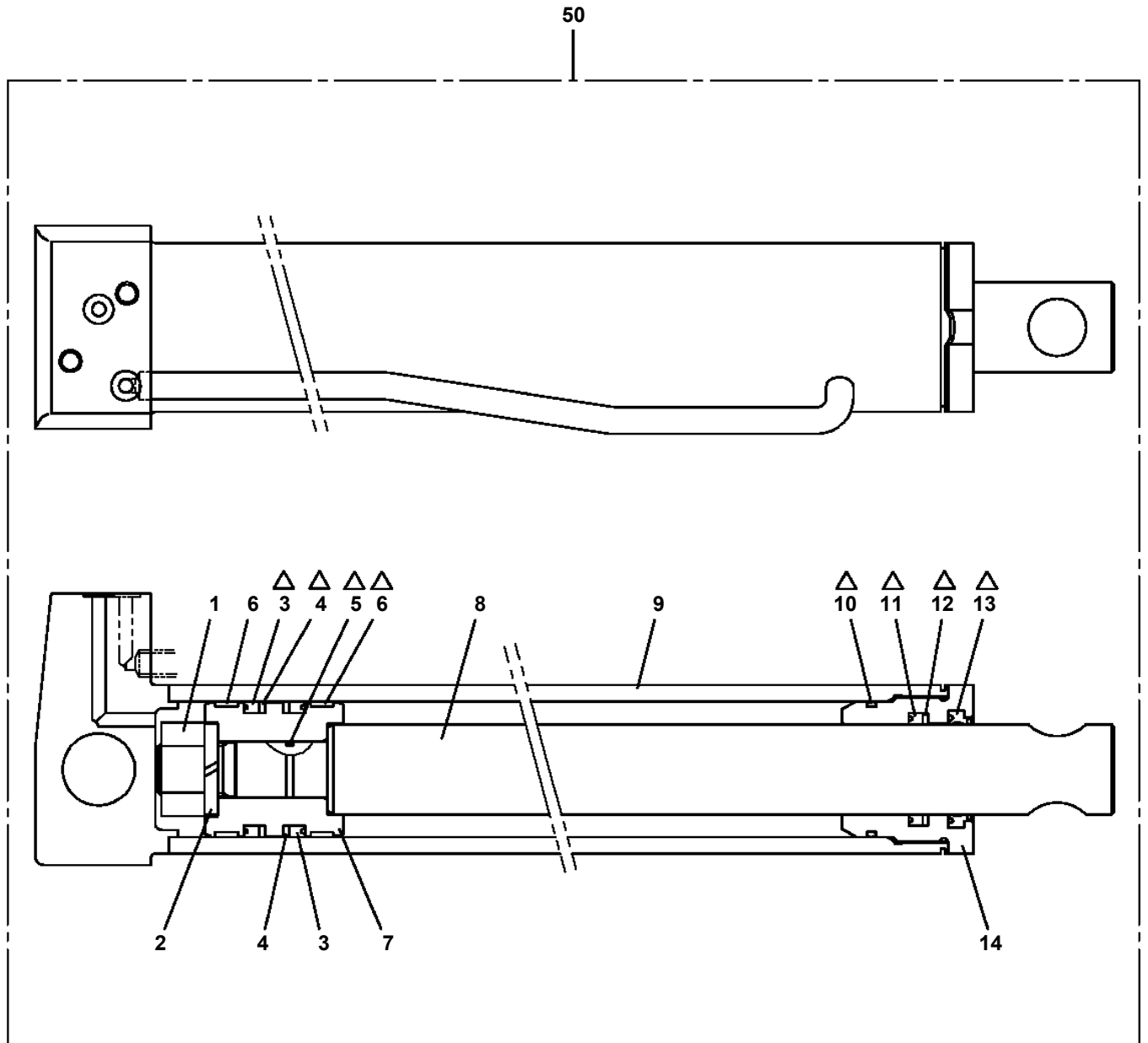


B



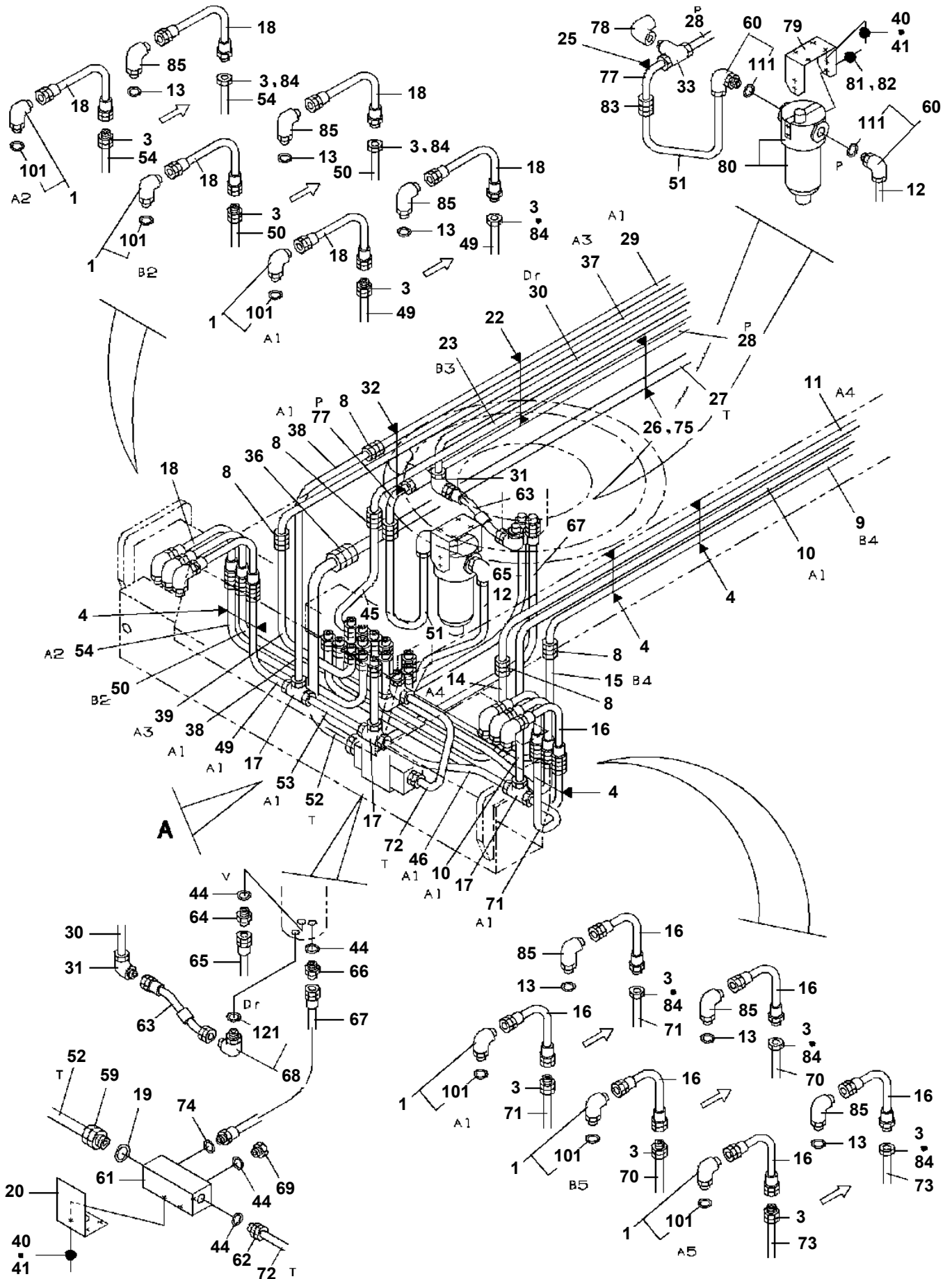
A-A

AT-142-3 42020300003 UPPER  
PC1030251-02 CYLINDER,JACK



Δ:PACKING SET KEY NO. 30 (KEY NO.3,4,5,6,10,11,12,13)

**AT-142-3 42020300003 UPPER  
PC1200388-01 PIPING,OUTRIGGER**



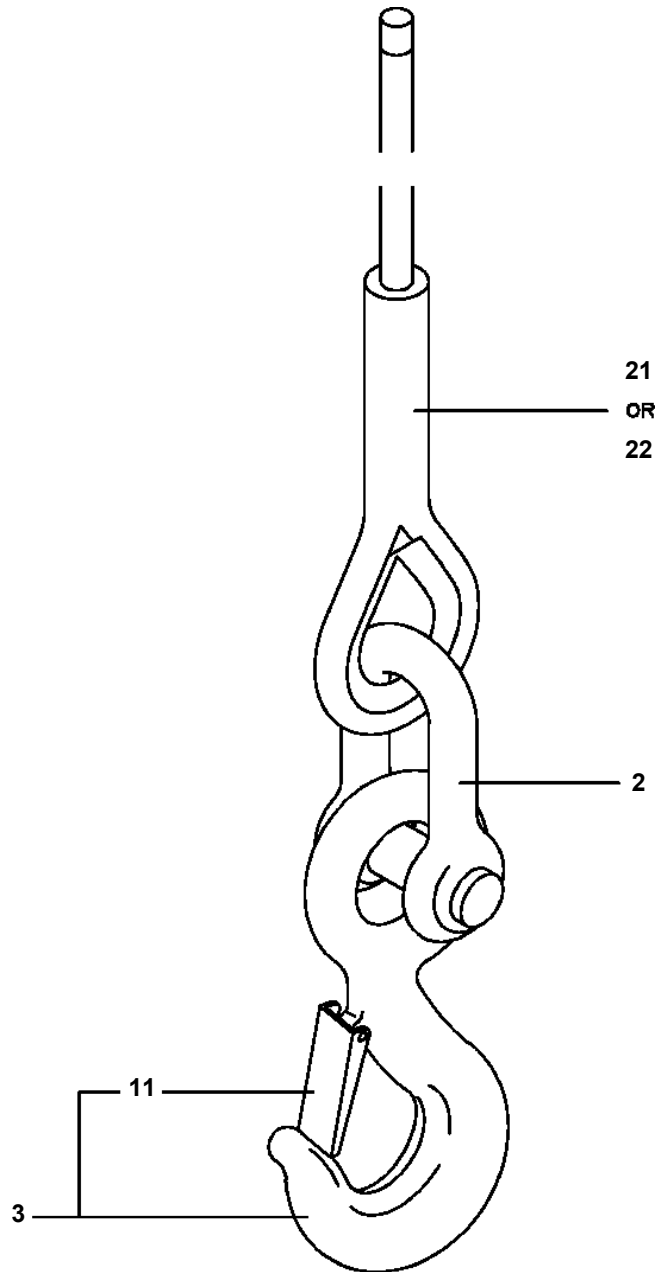
# AT-142-3 42020300003 UPPER

Pos No.	Parts No	Parts Name	Qty	Unit	Technical Data	Serial No (Start)	Serial No (End)	Remarks
3	91280439941	SEAL,OIL	1					
4	36081565010	CASE,GEAR	1					
5	80515006312	BEARING,BALL	1					
6	36081395040	KEY	1					
7	36081395050	WHEEL,WORM	1		4X32-34			
8	90102510025	BOLT	6		M10X25			
9	90302041001	WASHER,SPRING	6		10			
10	80516006211	BEARING,BALL	1					
11	80601110550	RING,RITAINING	1		S55			
12	36081395060	CASE,GEAR	1					
13	36072725350	BEARING,TAPER ROLLER	1					
14	36081395070	WORM	1		4X20			
15	36081325110	BEARING,TAPER ROLLER	1					
16	36081325080	SHIM SET	1					
17	36081325010	SPACER	1					
18	36081325090	RING,SNAP	1					
19	36080495090	GAUGE,OIL	1					
20	36080235080	WASHER,SEAL	1		M16			
21	80316090040	PLUG SOCKET	1		R1/4			
31	36081395500	GEAR,SPUR	1					
50	36081560000	REDUCER,SWING SPEED	1					

# AT-142-3 42020300003 UPPER

Pos No.	Parts No	Parts Name	Qty	Unit	Technical Data	Serial No (Start)	Serial No (End)	Remark
1	36025150000	CYLINDER ASSY	1					
2	36601660001	VALVE,COUNTERBALANCE	1					
3	90101208060	BOLT	4		M8X60			
4	90302040801	WASHER,SPRING	4		8			
11	82458102000	NIPPLE,GREASE	1		B-PT1/8	590130		
14	36025151000	CYLINDER,ELEVATING	1					
16	91001206500	O-RING	1		1A G65			
17	36023182000	END,ROD	1					
19	80720104020	PIN,SPRING	1		4X20			
22	80541700050	BEARING,SPHERICAL	1					
23	82459103000	NIPPLE,GREASE	1		C-PT1/8		590129	
24	82100000548	CONNECTOR	1					
27	82100001411	TUBE,SPIRAL	1	M	SE-08BK			
28	80316090020	PLUG	1		KKT PT1/8			
31	82100001155	CONNECTOR	1					

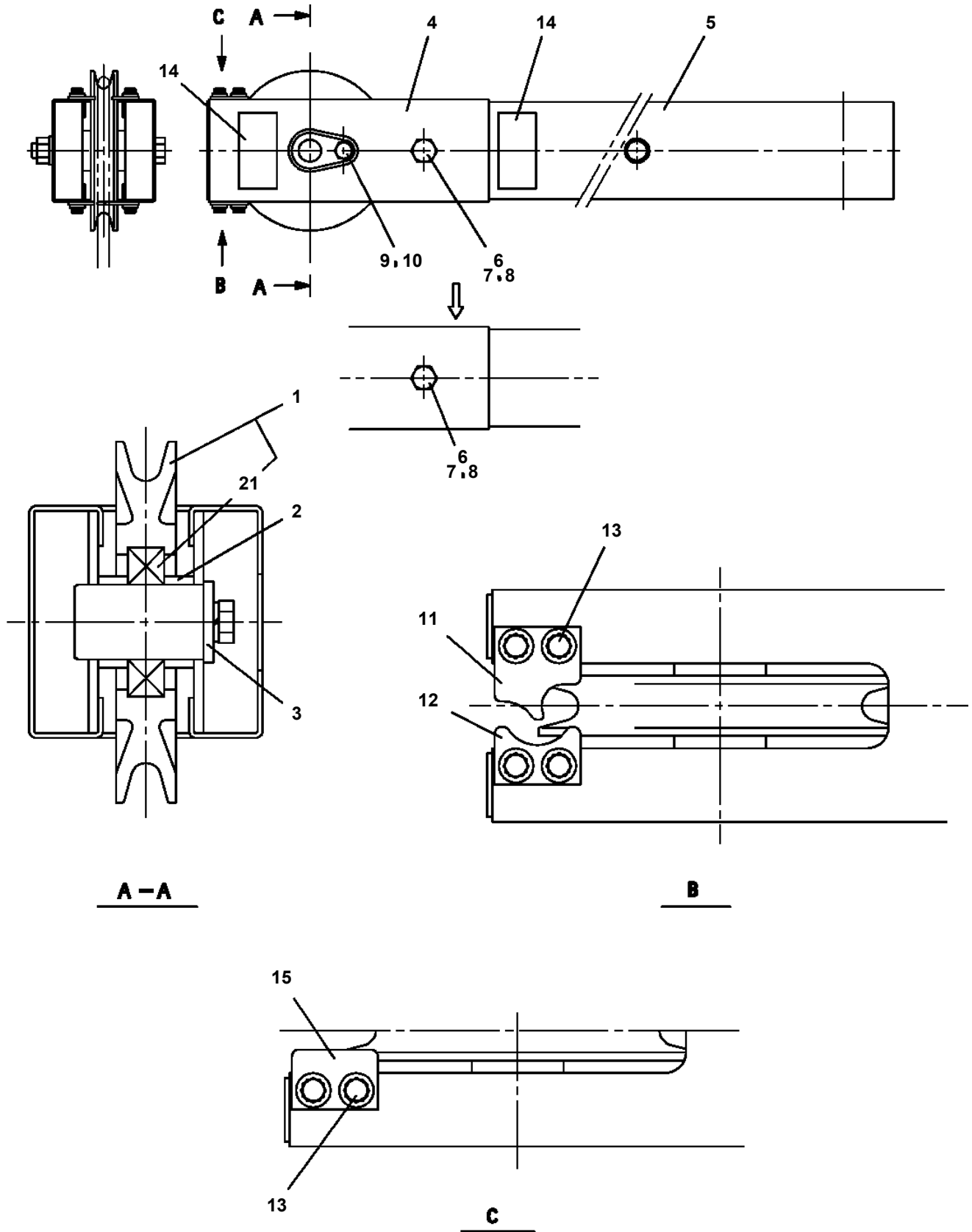
AT-142-3 42020300003 UPPER  
PF1050285-00 HOOK (1-PART LINE WITH ROPE)



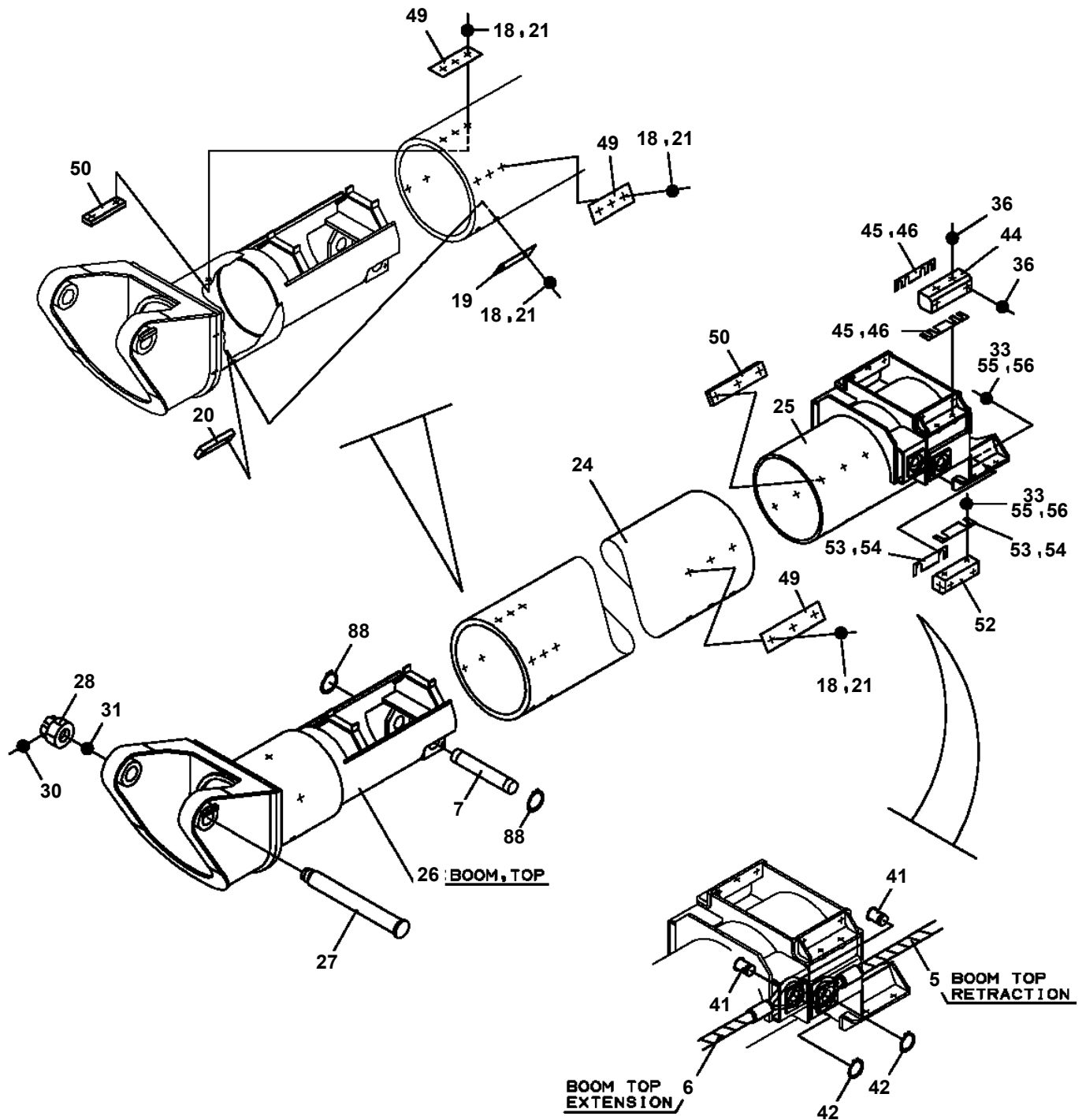
# AT-142-3 42020300003 UPPER

Pos No.	Parts No	Parts Name	Qty	Unit	Technical Data	Serial No (Start)	Serial No (End)	Remarks
1	37002409150	HOSE	2		L=1500			
2	37002446260	HOSE	1		L=2485			
3	91810130240	FASTENER	20					
4	37002443220	HOSE	1		L=570			
5	37002445200	HOSE	1		L=560			
6	37002464250	HOSE	1		L=1350			
7	80400160127	JOINT	2					
8	91002801100	O-RING	3		1B P11			
9	80430620400	JOINT	1					
11	80481304024	JOINT	2					
12	91002801800	O-RING	2		1B P18			
13	90101208016	BOLT	7		M8X16			
14	90302040801	WASHER,SPRING	7		8			
15	42311214100	GUARD	2					
16	37002457590	HOSE	1		L=850			
17	37002450900	HOSE	1		L=700			
18	37002410040	HOSE	1		L=800			
19	37002425870	HOSE	1		L=600		590110	
	37002441730	HOSE	1		L=700	590111		
20	37000921300	JOINT	1		S,PF1/4-PF1/4			
41	42342842000	VALVE ASSY,SOLENOID	2					
42	90172106040	BOLT,HEXAGON SOCKET	8		M6X40			
43	42310992710	FITTING,FLANGE	1					
44	37000919790	JOINT	2					
45	91002801400	O-RING	2		1B P14			
46	80471020502	JOINT	7					
47	91002801100	O-RING	11		1B P11			
48	36647670000	VALVE,SOLENOID	1					
49	90172105080	BOLT,HEXAGON SOCKET	4		M5X80			
50	90172104055	BOLT,HEXAGON SOCKET	1		M4X55			
52	91002800900	O-RING	5		1B P9			
53	91002800400	O-RING	1		1B P4			
54	80316070040	PLUG	3		PF1/4			
55	42342460320	ORIFICE	4		1.0			
71	36672780100	FITTING,FLANGE	1					
72	36672781000	FILTER,OIL	1					
73	80316030010	PLUG	6		NPTF1-16			

**AT-142-3 42020300003 UPPER  
PF1350052-01 WINCH,JIB (YELLOW)**



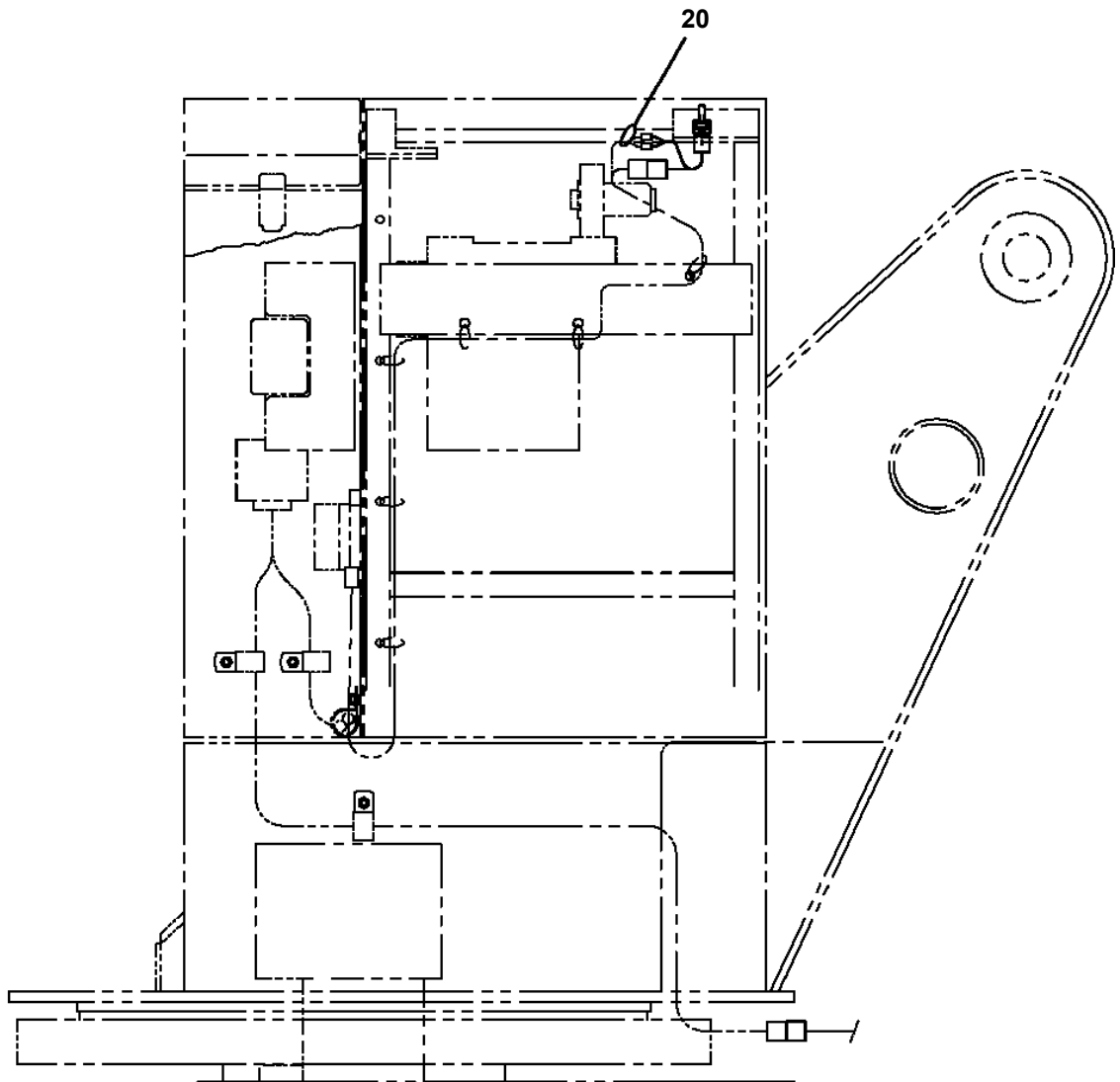
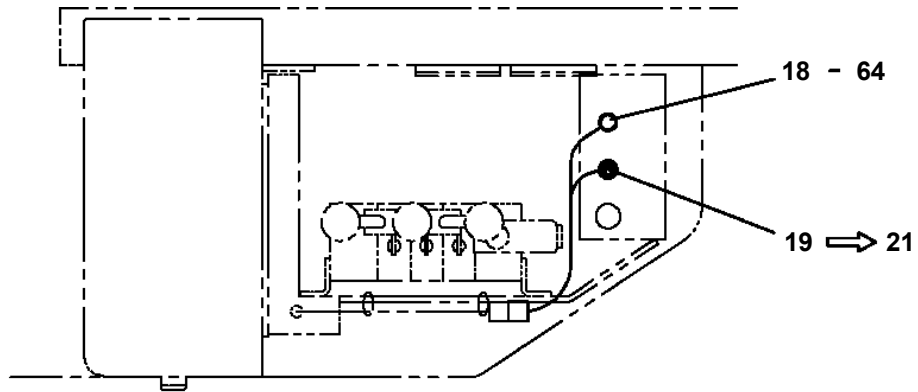
**AT-142-3 42020300003 UPPER  
PG1010542-03 BOOM**



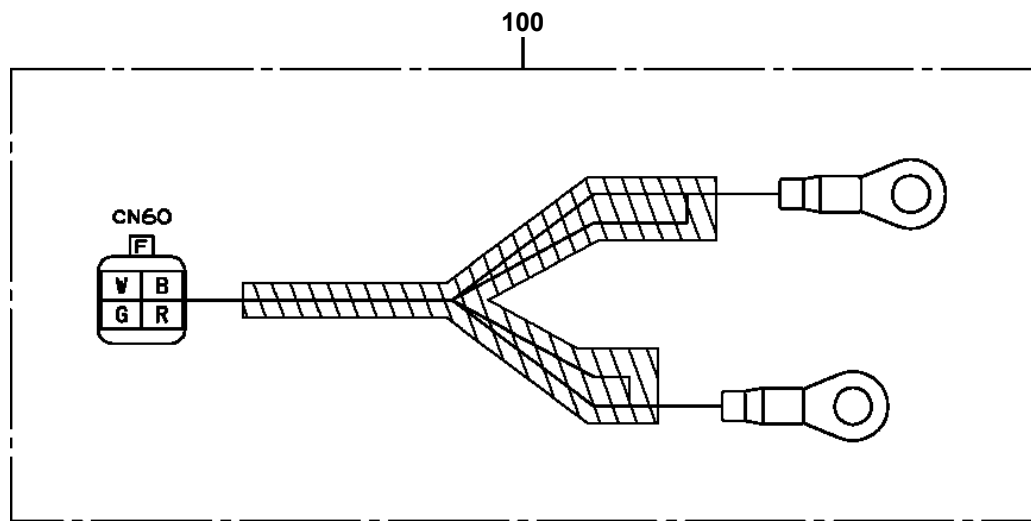
# AT-142-3 42020300003 UPPER

Pos No.	Parts No	Parts Name	Qty	Unit	Technical Data	Serial No (Start)	Serial No (End)	Remarks	Pages
1	42263621100	COVER	1						
2	42263621200	COVER	1						
3	37001505800	BOLT	1		M8X30				
5	37001505790	BOLT	3		M8X20				
6	42200451610	SUPPORT	1						
7	42263352300	SUPPORT	2						

**AT-142-3 42020300003 UPPER  
PH1140036-01 DETECTOR, SWING ANGLE**

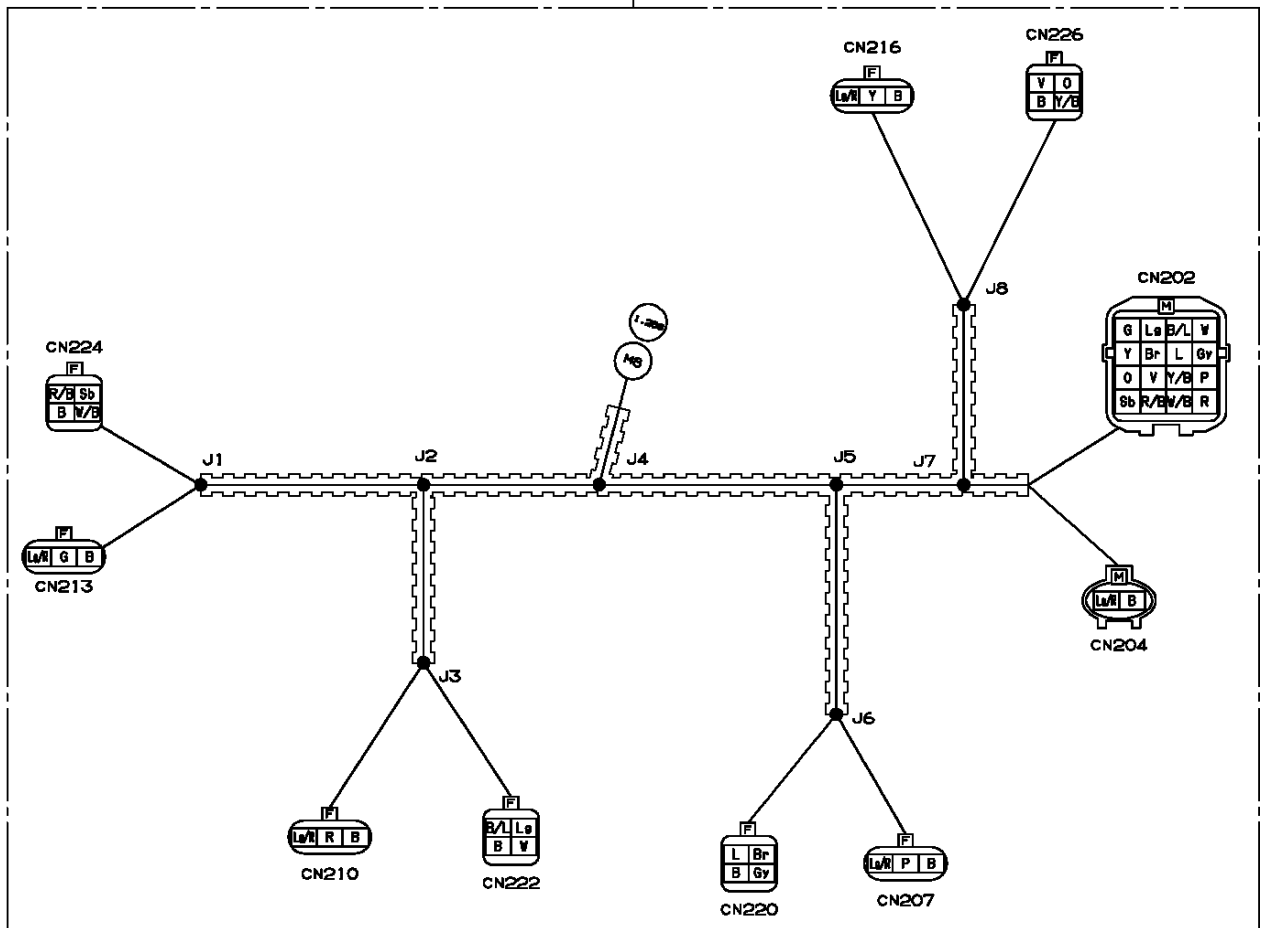


**AT-142-3 42020300003 UPPER  
PH5031064-00 HARNESS**

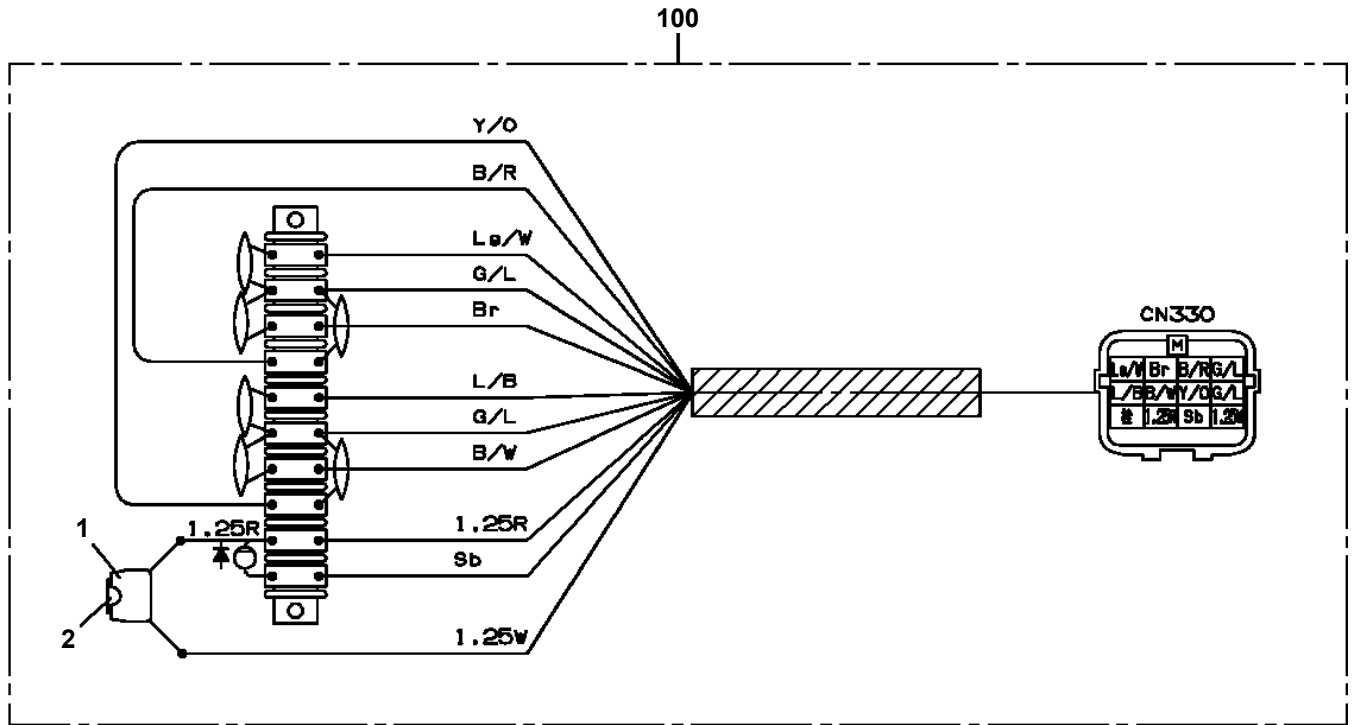


**AT-142-3 42020300003 UPPER  
PH5031768-00 HARNESS**

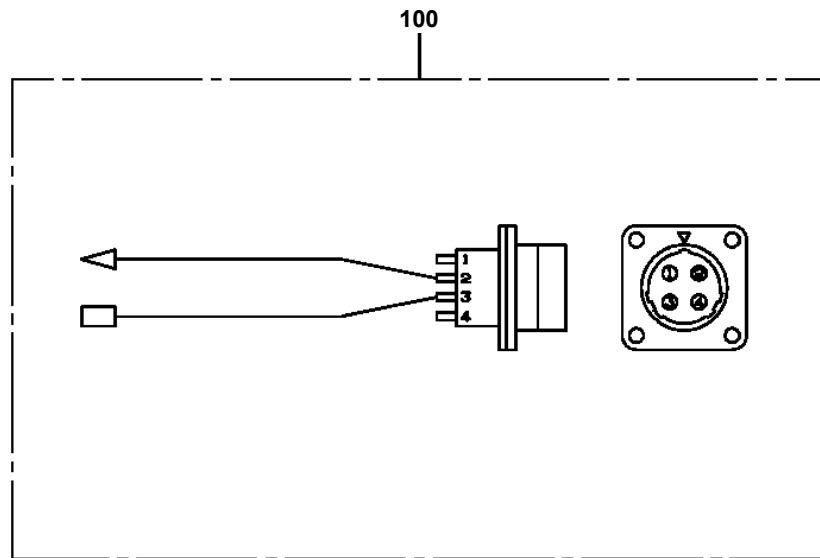
100



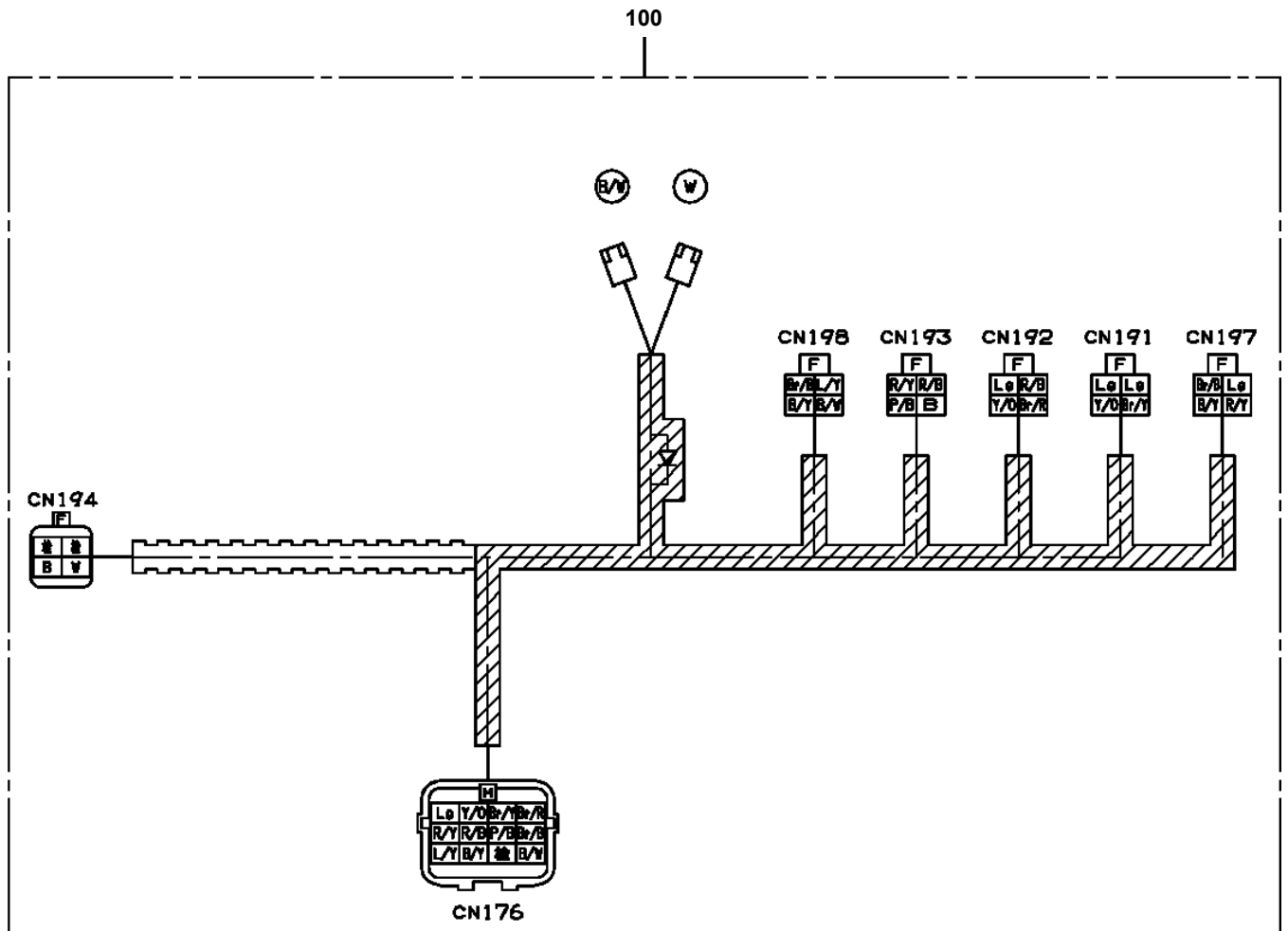
**AT-142-3 42020300003 UPPER  
PH5031779-00 HARNESS**



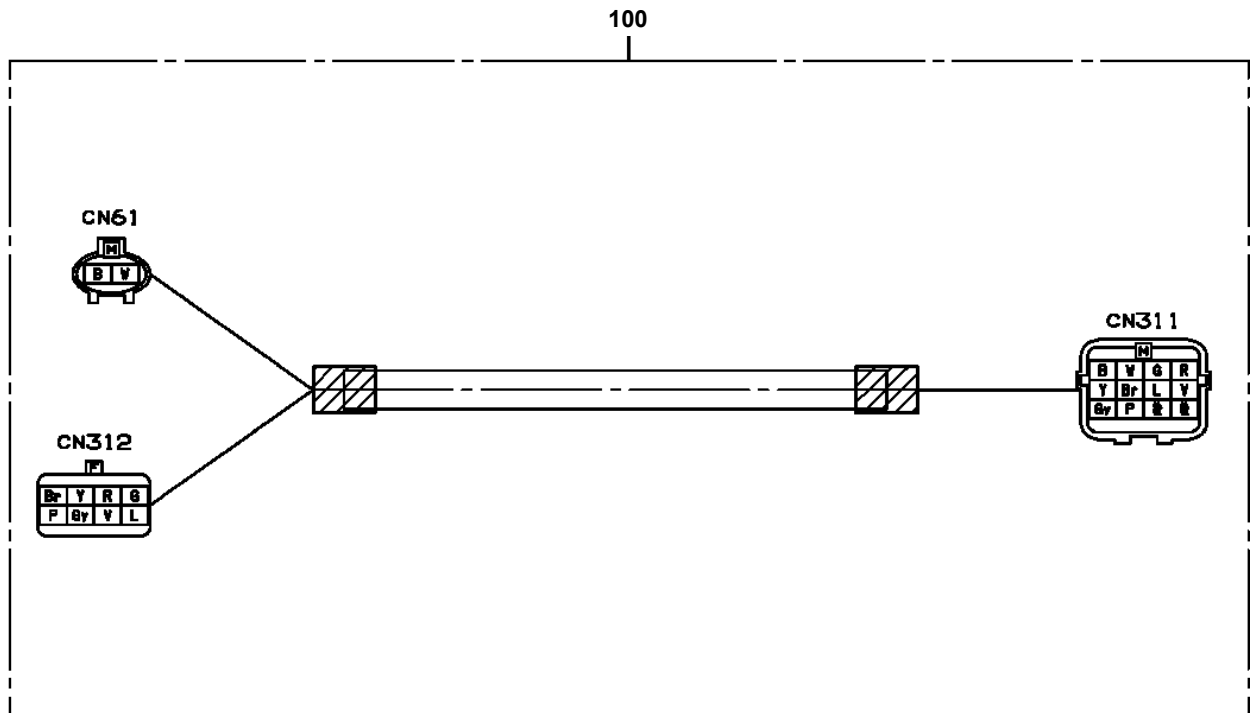
**AT-142-3 42020300003 UPPER  
PH5032349-00 HARNESS**



AT-142-3 42020300003 UPPER  
PH5032799-00 HARNESS

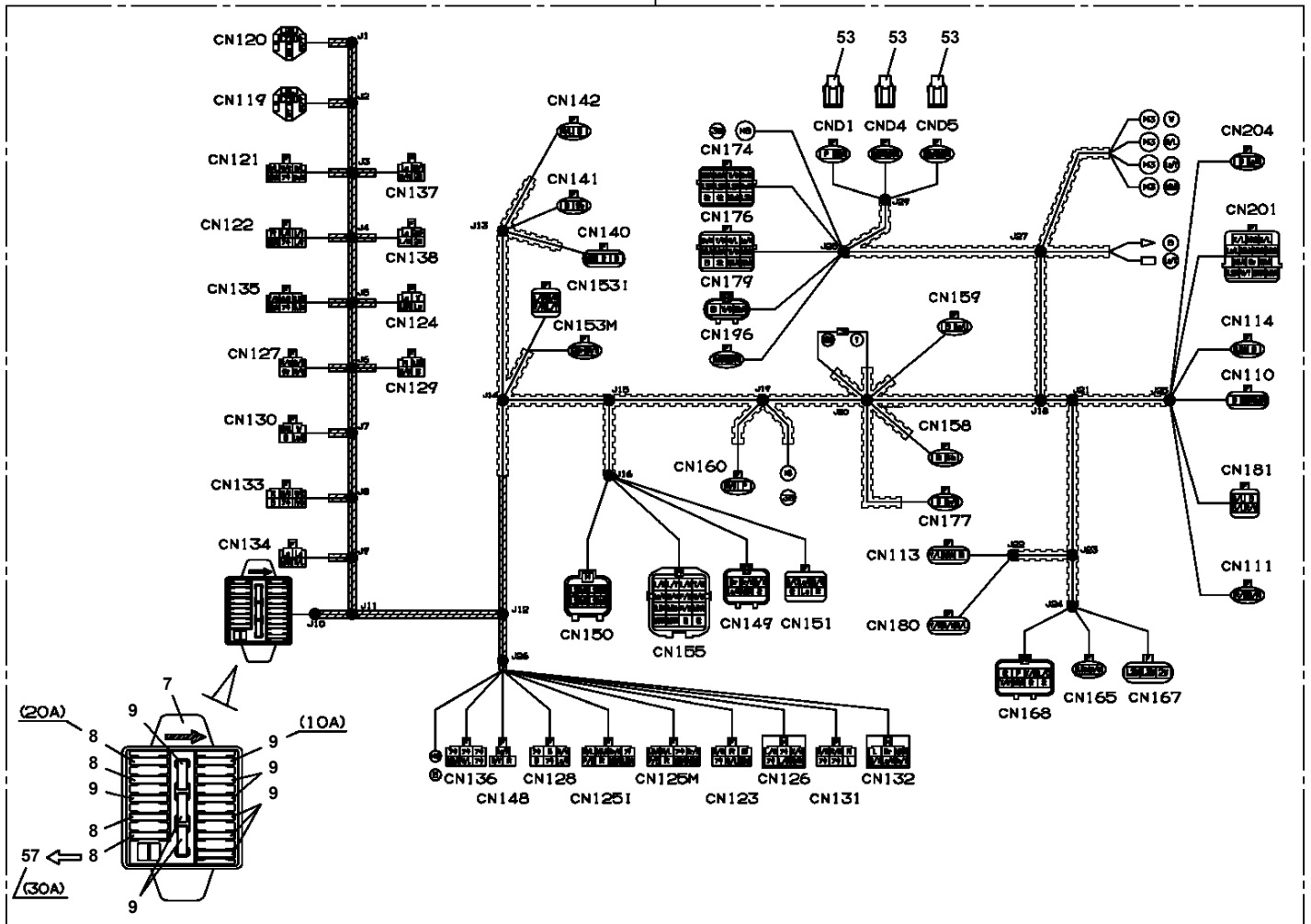


AT-142-3 42020300003 UPPER  
PH5032806-00 HARNESS



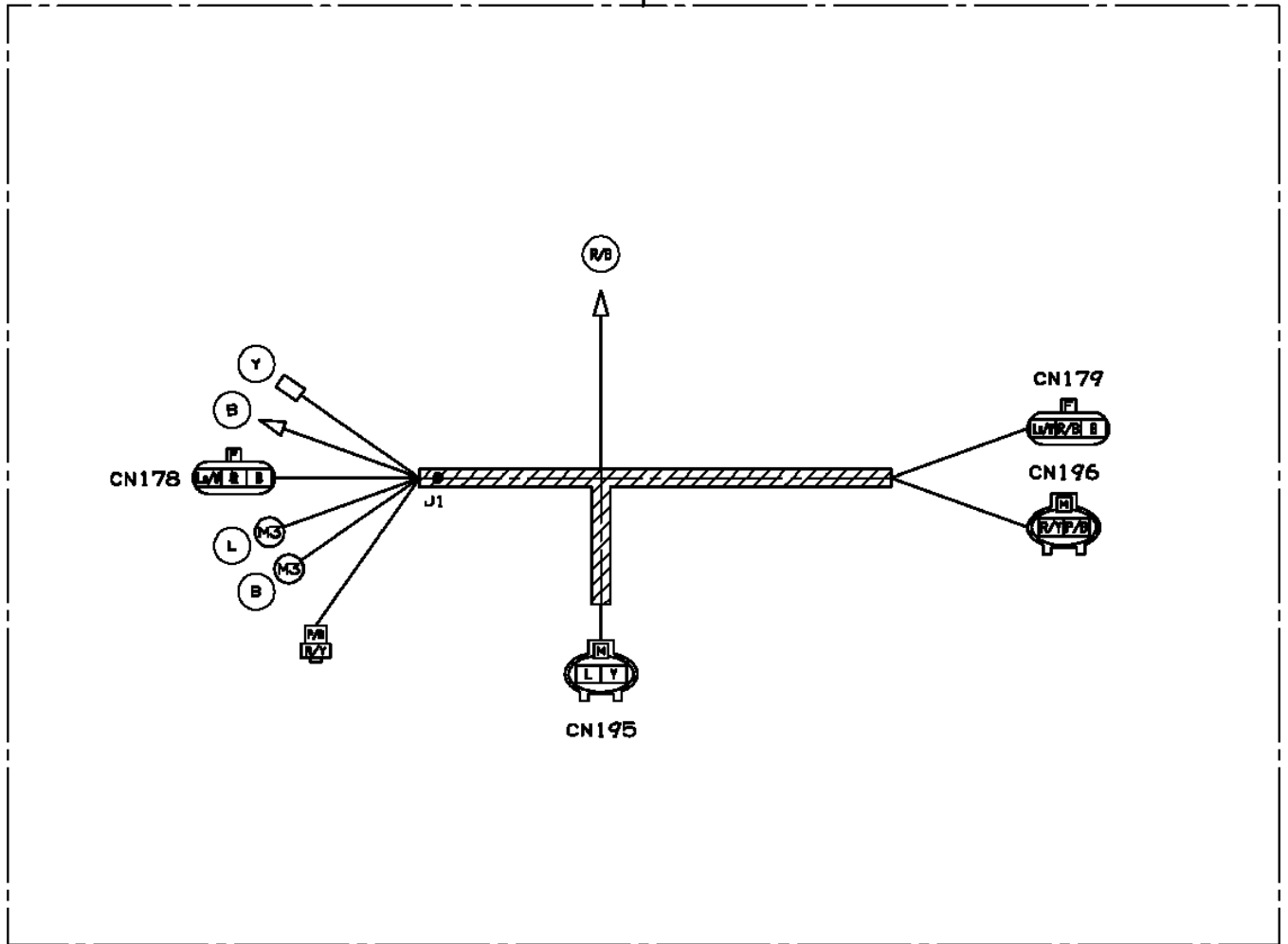
# AT-142-3 42020300003 UPPER PH5032814-00 HARNESS

100

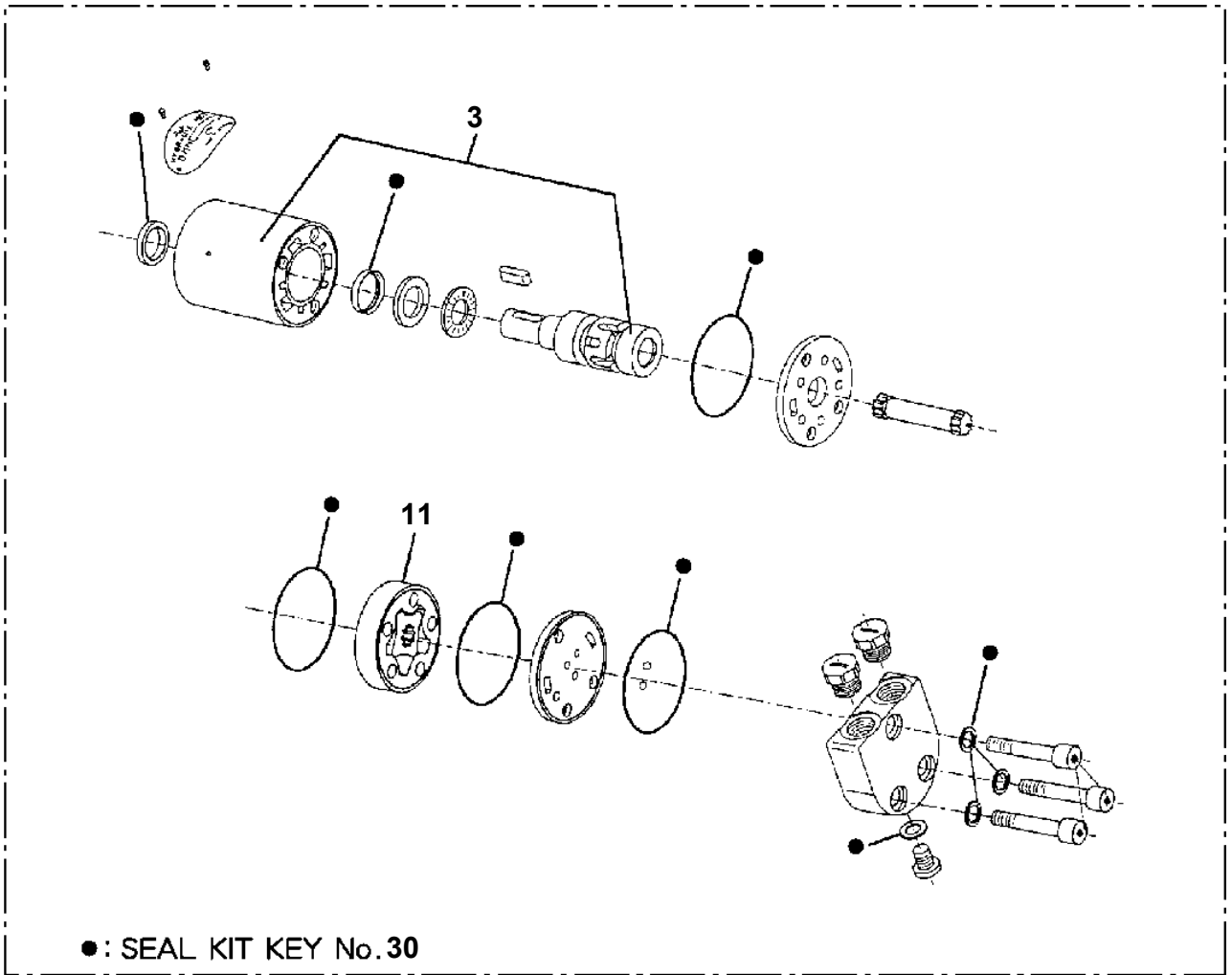


AT-142-3 42020300003 UPPER  
PH5032823-00 HARNESS

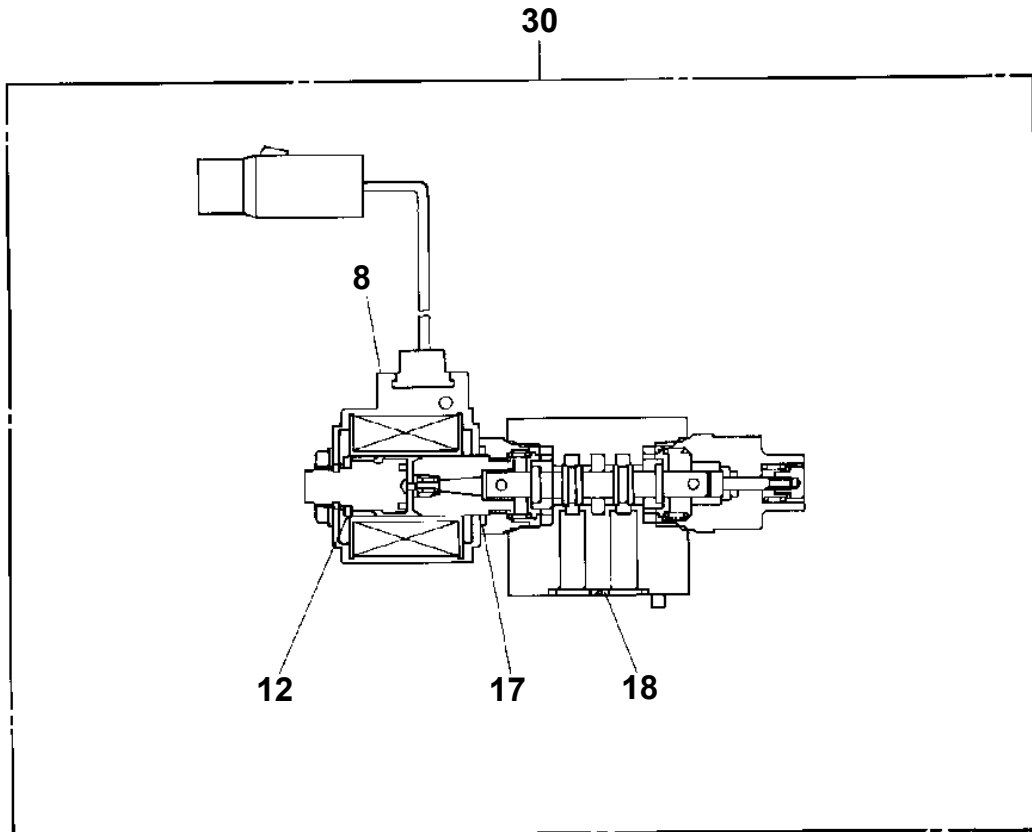
100



**AT-142-3 42020300003 UPPER  
PI1010125-00 MOTOR, HYDRAULIC**



**AT-142-3 42020300003 UPPER  
PI1120096-00 VALVE,SOLENOID**



# AT-142-3 42020300003 UPPER

Pos No.	Parts No	Parts Name	Qty	Unit	Technical Data	Serial No (Start)	Serial No (End)	Remarks	Pages
3	36646885010	PIN	2						
4	36646885020	PLUG	2						
5	36646885030	RETAINER	2						
6	36647665010	SPRING	2						
19	91000500900	O-RING	5						
21	91000501500	O-RING	4		AS568-015				
22	91002800300	O-RING	2		1B P3				
23	91000501400	O-RING	2		014 1115-70				
50	36647660000	VALVE,SOLENOID	1						

# AT-142-3 42020300003 UPPER

Pos No.	Parts No	Parts Name	Qty	Unit	Technical Data	Serial No (Start)	Serial No (End)	Remarks	Pages
1	36624110100	BODY	1						
2	36624110200	PLUG	2						
3	36624110300	SEAT	2						
4	36624110400	SPRING	2						
5	36624110501	PLUNGER	2						
6	36624110600	PISTON	1						
7	91001101200	O-RING	2		1A P12				
8	91001101800	O-RING	2		1A P18				
10	36624111000	PACKING	2						
30	36624630000	VALVE,CHECK	1						

**AT-142-3 42020300003 UPPER**

Pos No.	Parts No	Parts Name	Qty	Unit	Technical Data	Serial No (Start)	Serial No (End)	Remark
3	91002801400	O-RING	3		1B P14			
7	36601665020	SPRING	1					
10	91001001000	O-RING	1		1A S10			
11	36601665030	SPRING	1					
13	91002803400	O-RING	1		1B P34			
14	36601665050	O-RING	1		P25			
15	91410002500	RING,BACKUP	1		P25			
18	91002802600	O-RING	1		1B P26			
19	91001301600	O-RING	1		WP16			
20	91002801000	O-RING	1		1B P10			
21	91410001000	RING,BACKUP	1		P10			
50	36601660001	VALVE,COUNTERBALANCE	1					

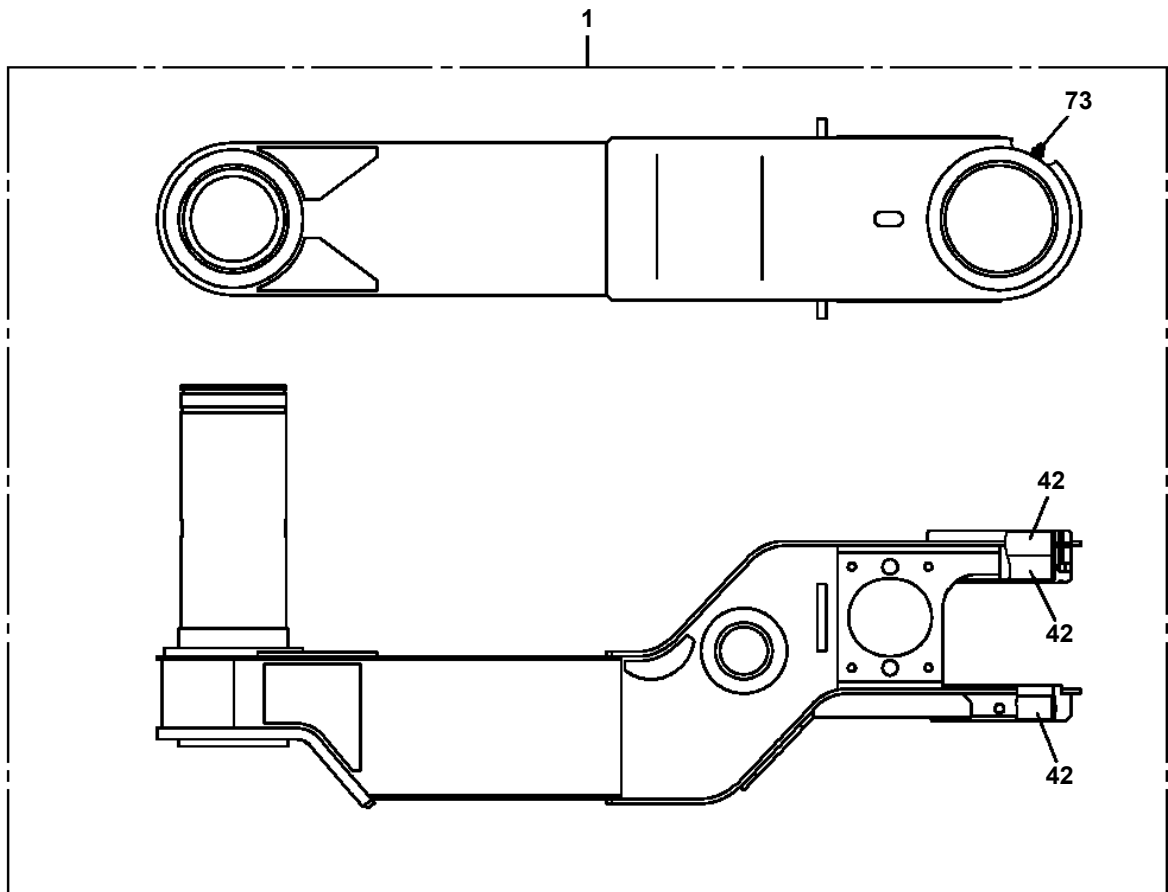
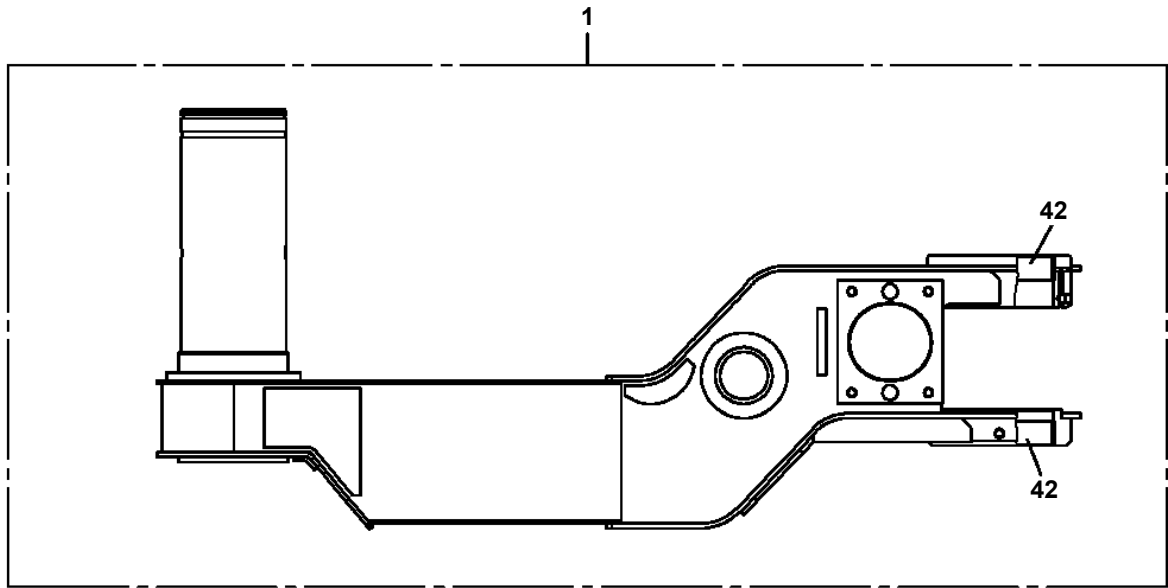
# AT-142-3 42020300003 UPPER

Pos No.	Parts No	Parts Name	Qty	Unit	Technical Data	Serial No (Start)	Serial No (End)	Remarks	Pages
1	36672765020	BODY ASSY	1						
3	36672765030	CASE (LOWER)	1						
4	36672765070	ELEMENT	1				590138		
	36672765080	ELEMENT	1			590139			
5	36672765040	SPRING	1						
6	36672765050	PLUG (DRAIN)	1						
8	36672765060	PLUG	1						
9	91002908000	O-RING	1		1B G80				
10	91001103200	O-RING	1		1A P32				
11	91002801100	O-RING	1		1B P11				
12	91002801800	O-RING	1		1B P18				
13	91001101400	O-RING	1		1A P14				
14	91410108000	RING,BACKUP	1		T3 G80				
30	36672760000	FILTER,OIL	1						

# AT-142-3 42020300003 UPPER

Pos No.	Parts No	Parts Name	Qty	Unit	Technical Data	Serial No (Start)	Serial No (End)	Remarks	Pages
1	37001506520	BOLT	28		M8X15				
2	90101208016	BOLT	10		M8X16				
3	90302040801	WASHER,SPRING	10		8				
4	90303070801	WASHER,PLAIN	10		8				
5	42262921100	COVER	1						
6	42262921200	COVER	1						
7	42262921010	SUPPORT	2						
8	42262921020	SUPPORT	3						
9	42262921300	COVER	1						
10	42262921400	COVER	1						
11	42262921700	COVER	1						
12	42263624100	COVER	1						
22	82400000476	INSULATOR	1	M					

AT-142-3 42020300003 UPPER  
PJ3030014-04 ARM, BUCKET



D

CLICK HERE TO **DOWNLOAD** THE COMPLETE MANUAL

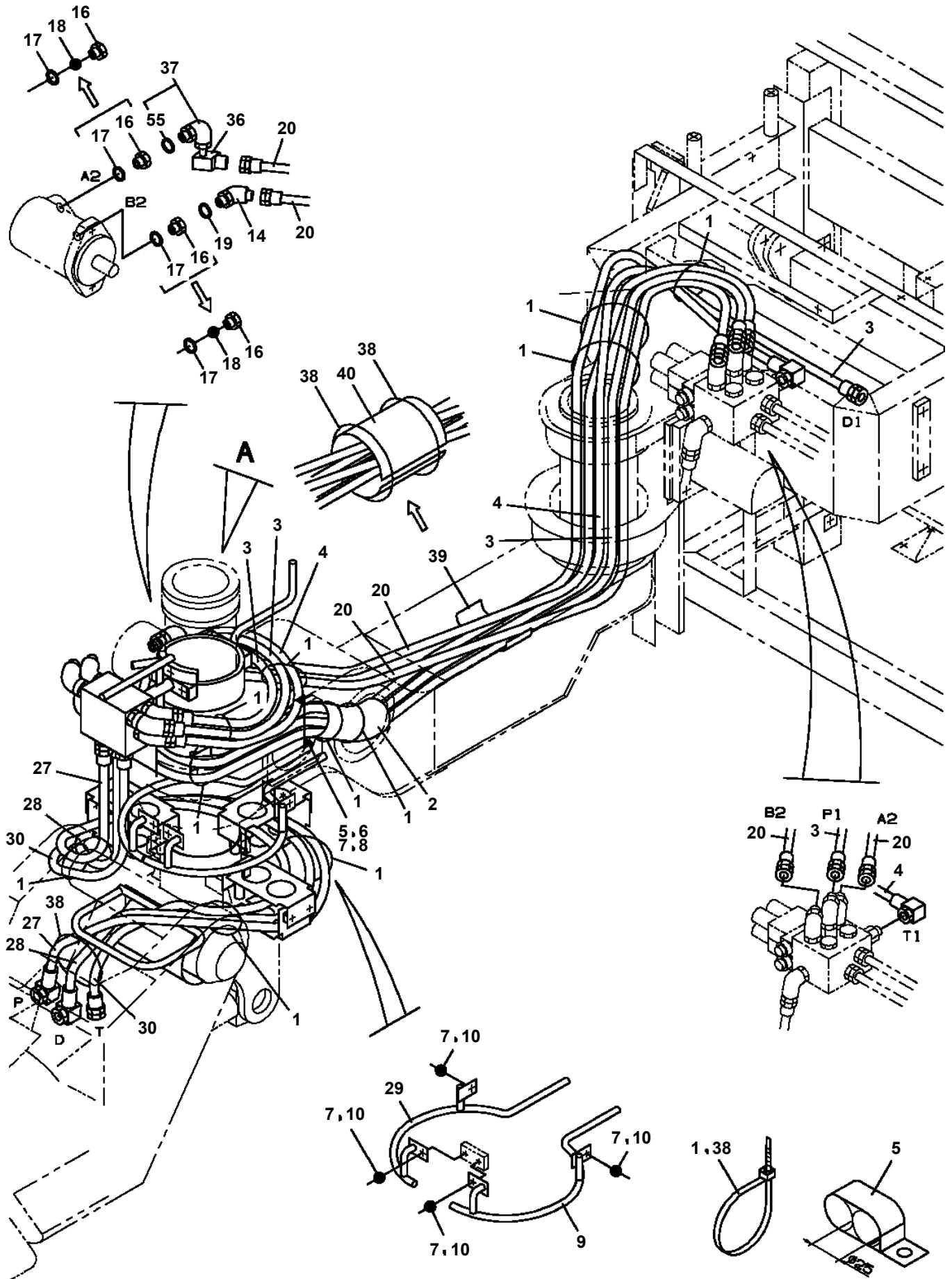
- Thank you very much for reading the preview of the manual.
- You can download the complete manual from: [www.heydownloads.com](http://www.heydownloads.com) by clicking the link below



- Please note: If there is no response to CLICKING the link, please download this PDF first and then click on it.

CLICK HERE TO **DOWNLOAD** THE COMPLETE MANUAL

**AT-142-3 42020300003 UPPER  
PJ3120010-02 PIPING,ARM**



# AT-142-3 42020300003 UPPER

Pos No.	Parts No	Parts Name	Qty	Unit	Technical Data	Serial No (Start)	Serial No (End)	Remarks	Pa
1	37002464720	HOSE	1		L=735				
2	91810132530	FASTENER	20						
4	80305080020	JOINT	1						
5	37000900750	JOINT	1		L,R1/4-G3/8				
6	37000908320	JOINT	1						
7	37002464740	HOSE	1		L=1120				
8	37000916330	JOINT	1						
9	80456020610	JOINT,SELF SEALING	1						
10	82100001735	SLEEVE	2						
11	42310040050	ROPE (TETORON)	1						
12	91810130230	FASTENER	1						
13	82100001412	TUBE,SPIRAL	1		SE-12BK				
15	42476911100	SUPPORT	1						
16	42476881120	PLATE,NAME	1						
17	37000915350	ORIFICE	1						
31	42340017550	CAP (DUST)	1						

# AT-142-3 42020300003 UPPER

Pos No.	Parts No	Parts Name	Qty	Unit	Technical Data	Serial No (Start)	Serial No (End)	Remarks	Pages
1	42621761000	FRAME	1						
2	37001501340	BOLT	18		M16X85				
3	90303501601	WASHER,PLAIN	18		16				
4	37000103950	PIN	4						
5	80136332040	PIN,SPLIT	8		3.2X40				
6	42621680100	COVER	3						
7	90101206012	BOLT	8		M6X12				
8	90302040601	WASHER,SPRING	8		6				
9	82400000393	INSULATOR	1						
10	80172303014	SCREW,MACHINE	1		M3X14				
11	90303070301	WASHER,PLAIN	1		3				
14	42620647000	COVER ASSY	1						
15	90302040501	WASHER,SPRING	6		5				
16	90201200500	NUT	6		M5				
18	80175305016	SCREW,MACHINE	6		M5X16				
20	42621760010	COVER	1						
21	42621760020	COVER	1						
22	90101208012	BOLT	7		M8X12				
23	90302040801	WASHER,SPRING	7		8				
24	42621680300	COVER	1						
41	42621680200	COVER	1						
42	80192485012	SCREW,MACHINE	4		M5X12				
43	82400000314	HINGE	2						
44	82400000357	CATCH	1						
45	90201200500	NUT	4		M5				
46	37000568430	PLATE	1						

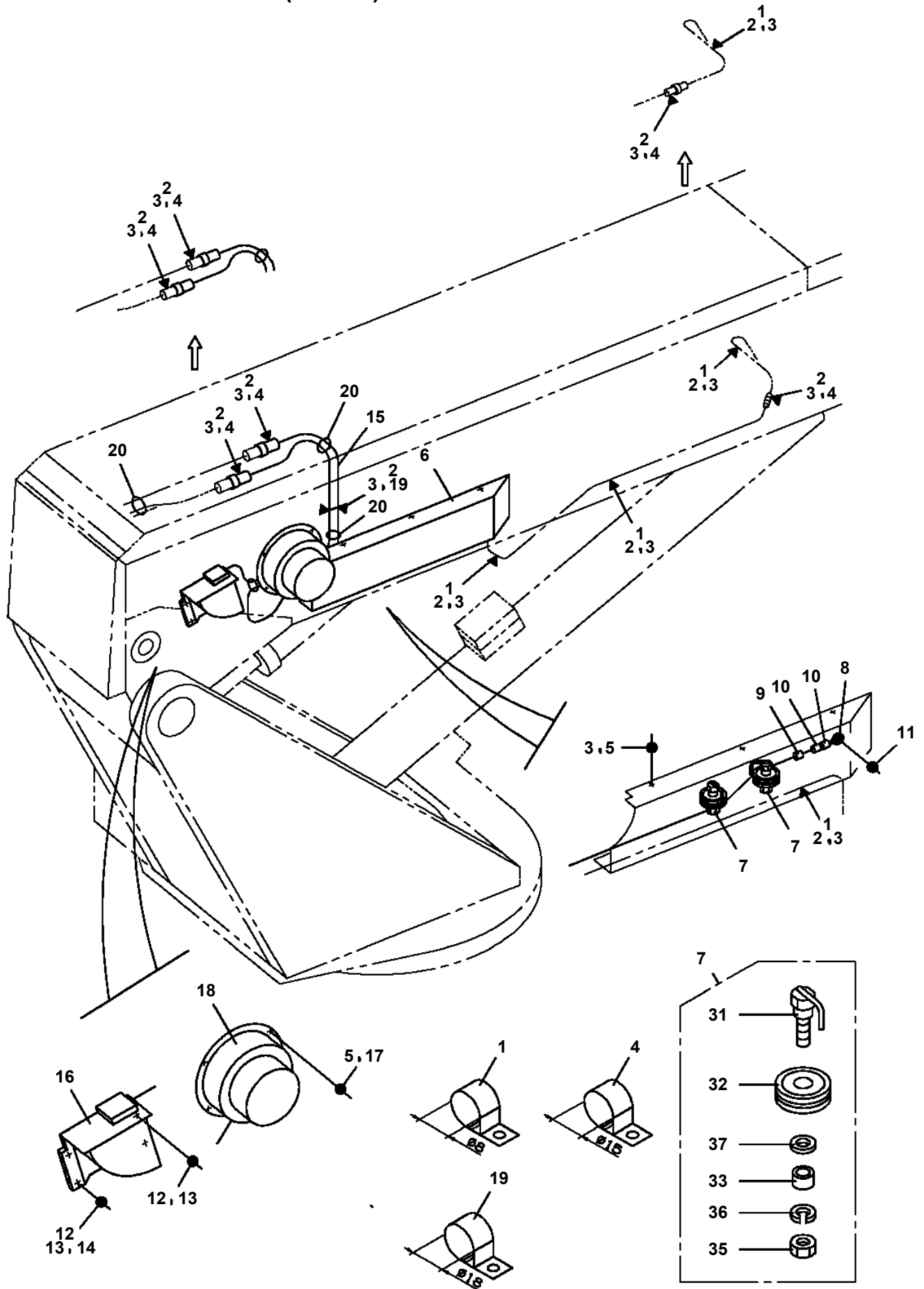
# AT-142-3 42020300003 UPPER

Pos No.	Parts No	Parts Name	Qty	Unit	Technical Data	Serial No (Start)	Serial No (End)	Remarks
1	31322050500	KNOB (BLACK)	3					
2	42320790100	LEVER	1					
3	42320790200	LEVER	1					
4	42320790300	LEVER	1					
5	37000172190	PIN	1					
6	80728104020	PIN,SPRING	1					
7	37000537270	PLATE	2					
8	36646520000	VALVE,REMOTE CONTROL	1					
9	42320791000	SUPPORT	1					
10	90101210025	BOLT	4		M10X25			
11	90201201000	NUT	4		M10			
12	90302041001	WASHER,SPRING	4		10			
13	90101208022	BOLT	4		M8X22			
14	90201200800	NUT	4		M8			
15	90302040801	WASHER,SPRING	4		8			
16	37000105610	PIN	3		L=18			
17	80136320010	PIN,SPLIT	3		2X10			

# AT-142-3 42020300003 UPPER

Pos No.	Parts No	Parts Name	Qty	Unit	Technical Data	Serial No (Start)	Serial No (End)	Remarks	Pages
1	42331811100	PANEL	1						
2	37000568730	PLATE	18		T=1.5				
3	37000568770	PLATE	9		T=1.5				

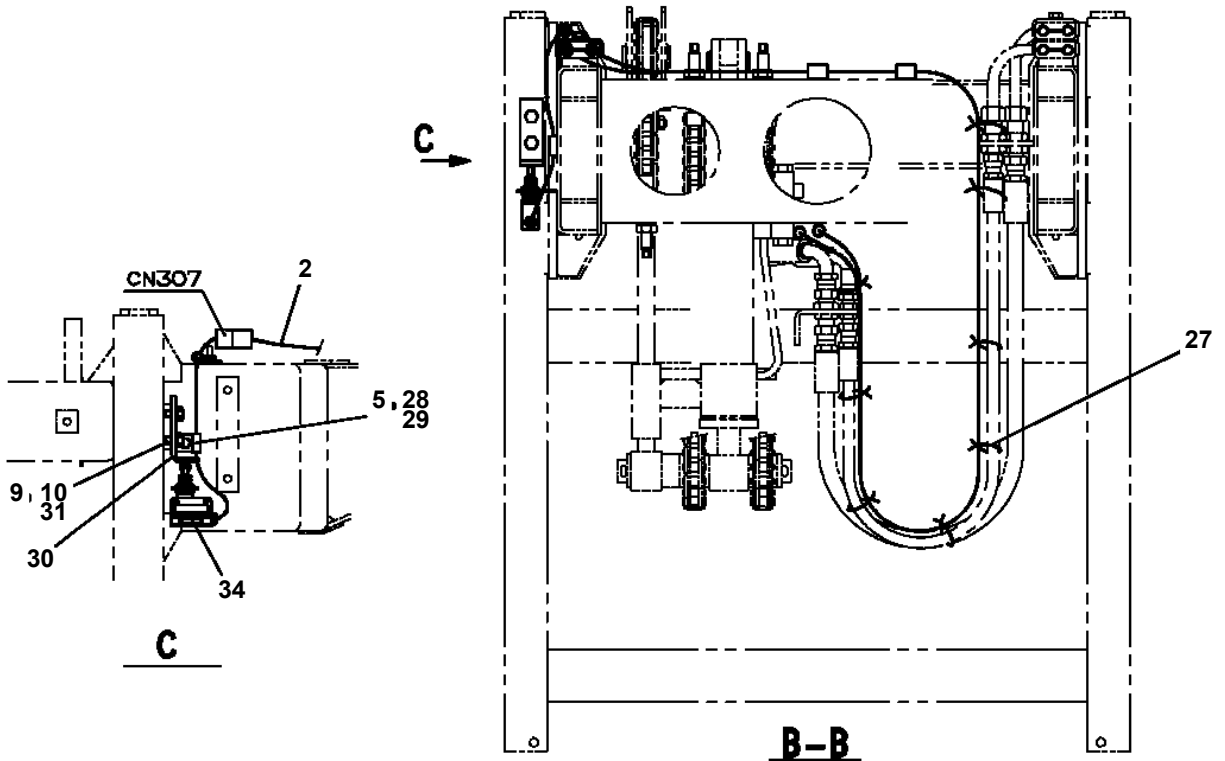
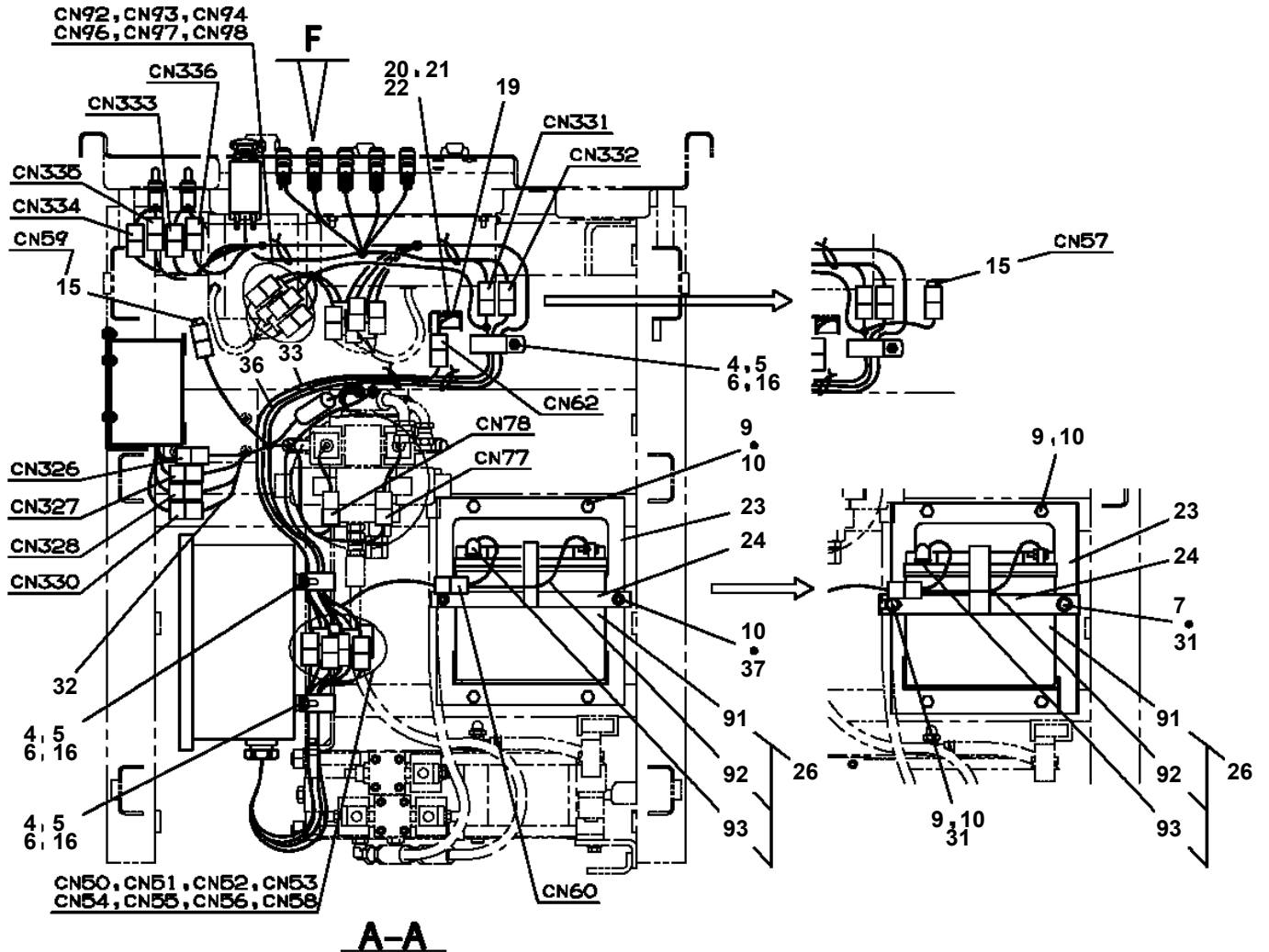
**AT-142-3 42020300003 UPPER  
PN1011785-00 ELEC.ASSY (BOOM)**



# AT-142-3 42020300003 UPPER

Pos No.	Parts No	Parts Name	Qty	Unit	Technical Data	Serial No (Start)	Serial No (End)
1	42476321100	CABLE ASSY	1		L=1000		
2	82100001802	TUBE,CORRUGATE	1	M	10		
3	91810132530	FASTENER	20				
4	42475832010	PLATE,NAME	1				
5	42475521010	PLATE,NAME	1				
6	42476331200	SWITCH ASSY	1				
7	42475832030	PLATE,NAME	1				
8	42475832100	HARNESS	1				
9	42475532200	HARNESS	1				
10	42352130100	LAMP ASSY(DC21V,RED/WITH HARNESS)	1				
11	42475832090	PLATE,NAME	1				
12	42476472100	HARNESS (WITH 1 SWITCH)	1				
13	42475832080	PLATE,NAME	1				
14	42475521300	CABLE ASSY	1		L=1000		
37	82100001655	CAP	2				
47	82197518114	CAP (MATSUSHITA/BLACK)	1				
	82197518119	CAP (PLUS ONE MFG./BLACK)	1				
81	82198300503	LENS	1				

**AT-142-3 42020300003 UPPER  
PN1012047-04 ELEC.ASSY (BUCKET)**



# AT-142-3 42020300003 UPPER

Pos No.	Parts No	Parts Name	Qty	Unit	Technical Data	Serial No (Start)	Serial No (End)
92	90101212020	BOLT	1		M12X20		
93	90302041201	WASHER,SPRING	1		12		
94	37000159530	PIN	1				
95	80620210160	PIN,SNAP	1				
101	42651093000	INDICATOR,OUTRIGGER	1				
102	42433932100	SWITCH ASSY (WITH HARNESS,1 SW)	1				
103	42651092200	PANEL	1				
104	42736070100	SWITCH ASSY (WITH HARNESS)	1				
105	80192486014	SCREW,MACHINE (WITH WASHER)	4		M6X14		
108	42801710200	LAMP ASSY (RED)	1				
109	82109341003	SWITCH,KEY	1				
110	82100002307	COVER (CONTACT BLOCK PROTECTION/BLACK)	1				
122	42650892100	COVER	1				
141	42421157510	SPARE KEY (2PIECE-1SET)	1				
151	82100005004	LENS (RED)	1				
187	80147310420	RIVET	8		3.2X6		
198	82400000349	CATCH	1				
200	82464110002	HINGE	1				
242	82400000200	GROMMET	3		KG-012,L=250		
	82400000201	GROMMET	1		KG-016		
251	42271419520	COVER ASSY	1				
266	82100002838	SWITCH ASSY (WITH HARNESS,TERMINAL)	1				
293	82100000266	DIODE	6				
341	82100000054	BULB,LAMP	1		24V 60W		

# AT-142-3 42020300003 UPPER

Pos No.	Parts No	Parts Name	Qty	Unit	Technical Data	Serial No (Start)	Serial No (End)	Remarks	Pages
1	42476894010	PLATE,NAME	1						
2	42476913302	HARNESS	1						00012
3	91810132530	FASTENER	20						
4	42476913400	RELAY BOX ASSY	1						
5	82100001411	TUBE,SPIRAL	1	M	SE-08BK				
51	42476913500	SUPPORT	1						
52	42476913450	COVER	1						
53	80182306010	SCREW,MACHINE	5		M6X10				
54	90302040601	WASHER,SPRING	5		6				
55	42476913480	HARNESS	1						00011
56	82161201020	RELAY	1						
62	82400000200	GROMMET	1		KG-012,L=250				

# AT-142-3 42020300003 UPPER

Pos No.	Parts No	Parts Name	Qty	Unit	Technical Data	Serial No (Start)	Serial No (End)	Remarks	P
3	42420047510	BOARD ASSY	1						
26	42420047520	MOTOR (FAN)	1						
50	42420046200	CONVERTER (FAMOTH)	1						

# AT-142-3 42020300003 UPPER

Pos No.	Parts No	Parts Name	Qty	Unit	Technical Data	Serial No (Start)	Serial No (End)	Remarks
1	36160750000	REEL,CORD	1					
2	90101210025	BOLT	4		M10X25			
3	90201201000	NUT	4		M10			
4	90302041001	WASHER,SPRING	12		10			
5	42420503700	SUPPORT	1					
6	90101208020	BOLT	13		M8X20			
7	90303070801	WASHER,PLAIN	17		8			
8	90201200800	NUT	8		M8			
9	90302040801	WASHER,SPRING	26		8			
10	82400000393	INSULATOR	1				590105	
11	80172303014	SCREW,MACHINE	1		M3X14		590105	
12	90303070301	WASHER,PLAIN	1		3		590105	
13	90302040601	WASHER,SPRING	5		6			
14	90101206012	BOLT	4		M6X12			
15	42420503101	SWITCH ASSY	1					
16	42420503201	BOX ASSY	1				590103	
	42420503202	BOX ASSY	1			590104		
17	90101208012	BOLT	6		M8X12			
18	42420191100	CHARGER ASSY	1					
19	42420084700	SUPPORT	1					
20	42420084601	COVER ASSY	1					
21	91810132530	FASTENER	10					
22	42420503010	CABLE	1					
23	82100002017	CLAMP	2		WR30			
24	90201200600	NUT	1		M6			
25	82100002008	CLAMP	1		WR12			
26	80172304030	SCREW,MACHINE	2		M4X30			
27	90302040401	WASHER,SPRING	2		4			
28	90201200400	NUT	2		M4			
29	90303070401	WASHER,PLAIN	2		4			
30	82100002019	CLAMP	1		WR40			
32	90101210016	BOLT	8		M10X16			
33	82169701011	BREAKER	1					
34	42420613100	CABLE	1					
35	82100001806	TUBE,CORRUGATE	3	M	22			
36	90101208014	BOLT	4		M8X14			
37	82100002596	RELAY	1					
38	82100001411	TUBE,SPIRAL	1	M	SE-08BK			
91	42420084611	COVER	1					
92	42420084650	COVER	2					
93	42420084660	COVER	4					
94	82400000310	GROMMET	1	M	L=1000			
111	42420046200	CONVERTER (FAMOTH)	1					
112	42420613200	CONVERTER (PAL)	1					

# AT-142-3 42020300003 UPPER

Pos No.	Parts No	Parts Name	Qty	Unit	Technical Data	Serial No (Start)	Serial No (End)	Rem
1	42420054101	CHARGER,BATTERY (OPTION)	1					

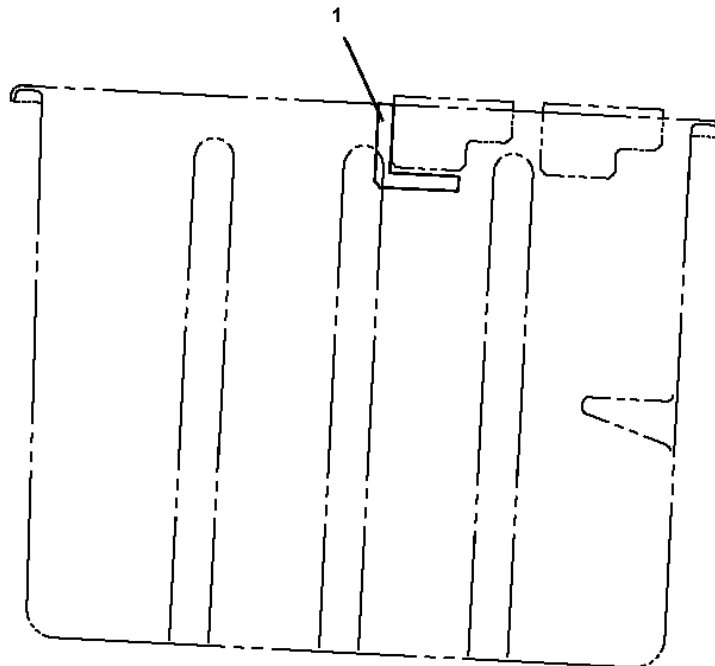
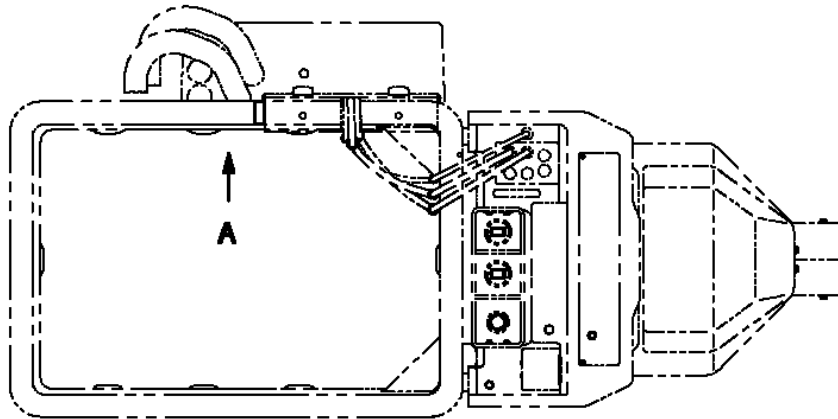
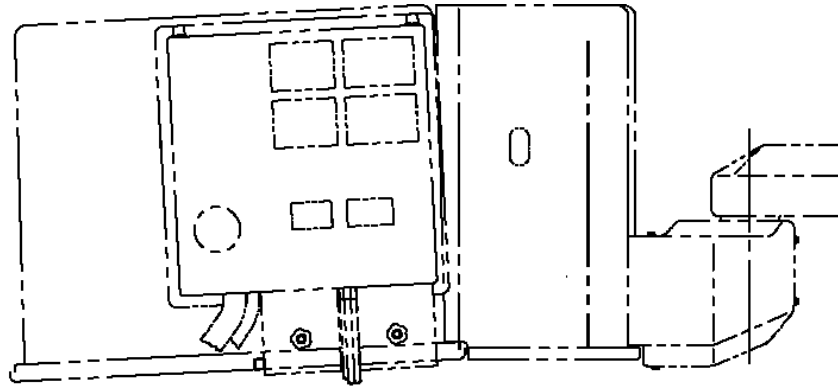
# AT-142-3 42020300003 UPPER

Pos No.	Parts No	Parts Name	Qty	Unit	Technical Data	Serial No (Start)	Serial No (End)
1	42392584020	PLATE,NAME	1				
2	42392584010	PLATE,NAME	1				
3	37002202100	PLATE,NAME (OUTRIGGER LEFT)	1				
4	37002202090	PLATE,NAME (OUTRIGGER LEFT)	1				
5	37002202080	PLATE,NAME (OUTRIGGER RIGHT)	1				
6	37002202070	PLATE,NAME (OUTRIGGER RIGHT)	1				
7	37002202060	PLATE,NAME (OUTRIGGER)	1				
8	42941821050	PLATE,CAUTION	1				
9	42392920050	PLATE,CAUTION	1				
10	42392582050	PLATE,CAUTION	1				
11	42392584030	PLATE,NAME	1				
12	42392584040	PLATE	1				
13	42940100030	PLATE,NAME (PLUG)	5				
14	37002221080	PLATE,CAUTION	1			590111	
15	37002220410	PLATE,CAUTION	1			590111	

# AT-142-3 42020300003 UPPER

Pos No.	Parts No	Parts Name	Qty	Unit	Technical Data	Serial No (Start)	Serial No (End)	Re
1	42392655010	PLATE,NAME	1					
2	42392655020	PLATE,NAME	1					
3	37002201980	PLATE,NAME	2					
4	42392655030	PLATE,CAUTION	2					
5	42392655040	PLATE,NAME	1					
6	42940100030	PLATE,NAME (PLUG)	1					
7	42391684110	PLATE,CAUTION	1					
8	42391384020	PLATE,NAME	1					
9	42940110060	PLATE,NAME (BATTERY CHECK)	1					
10	42391684080	PLATE,NAME	1					
11	42391684090	PLATE,NAME	1					
12	42391684040	PLATE,NAME	1					
13	42391684010	PLATE,NAME	1					
14	42391684050	PLATE,NAME	1					
15	42940110050	PLATE,NAME (10A)	1					
16	42392191110	PLATE,NAME	1					

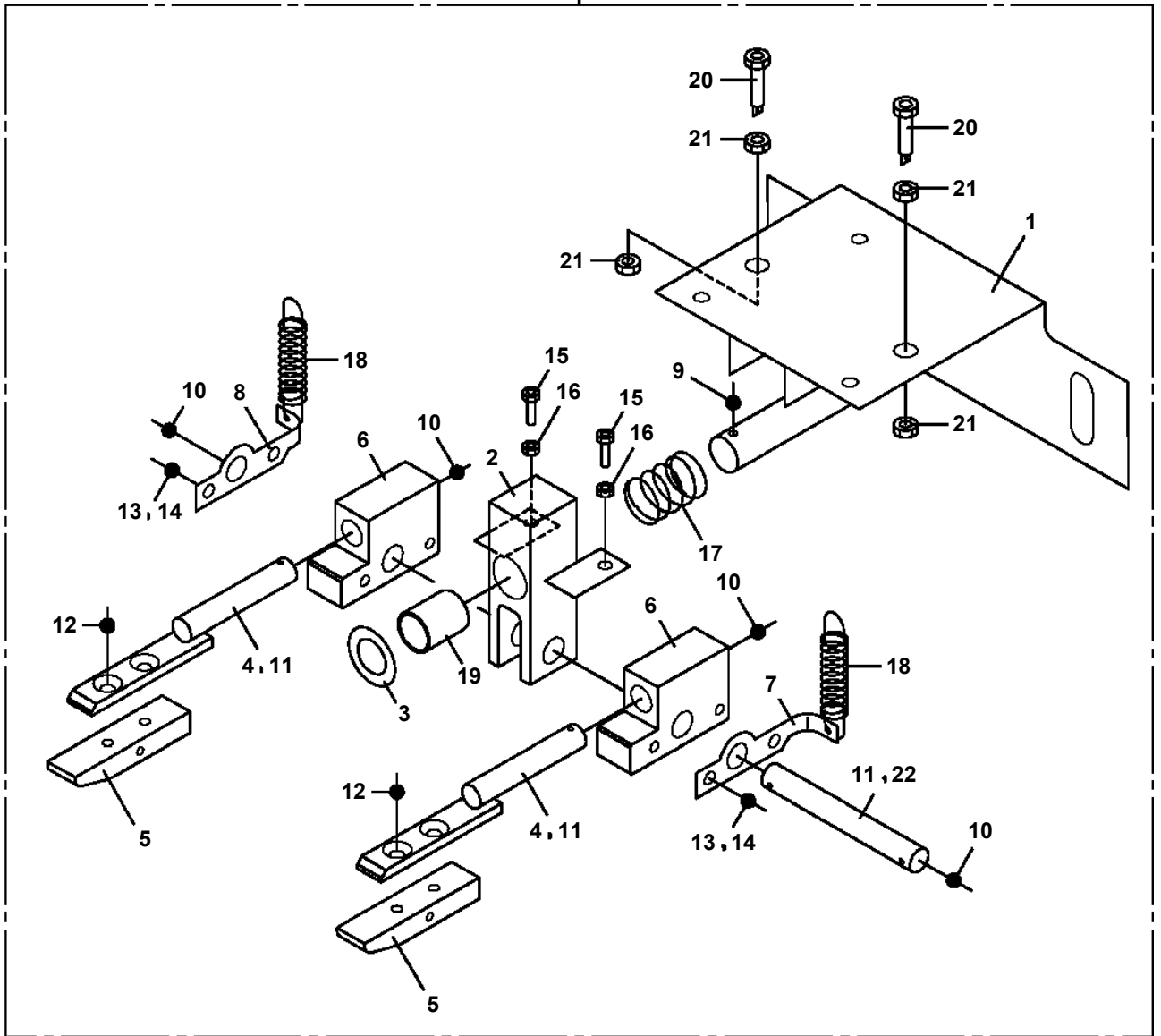
AT-142-3 42020300003 UPPER  
PO1012984-00 PLATE ASSY,NAME (BUCKET COOLER)



A

AT-142-3 42020300003 UPPER  
PT5170005-00 TERMINAL ASSY

100



# AT-142-3 42020300003 UPPER

Pos No.	Parts No	Parts Name	Qty	Unit	Technical Data	Serial No (Start)	Serial No (End)	Re
274	90303070501	WASHER,PLAIN	1		5	590172		
275	36646525200	WASHER	1			590172		
276	36647855120	ORIFICE	1			590172		
278	36647855130	PLUG	1			590172		
281	36646525210	PLUG	1			590172		
296	36646525220	SOLENOID ASSY	1			590172		
300	36646520000	VALVE,REMOTE CONTROL	1					

# AT-142-3 42020300003 UPPER

Pos No.	Parts No	Parts Name	Qty	Unit	Technical Data	Serial No (Start)	Serial No (End)	Remarks
1	36643030000	VALVE,SOLENOID	1					
10	42473141000	VALVE ASSY,SOLENOID	1					

# AT-142-3 42020300003 UPPER

Pos No.	Parts No	Parts Name	Qty	Unit	Technical Data	Serial No (Start)	Serial No (End)	Remarks	Pages
1	82198301221	COVER	6						
2	91810130230	FASTENER	6						

# AT-142-3 42020300003 UPPER

Pos No.	Parts No	Parts Name	Qty	Unit	Technical Data	Serial No (Start)	Serial No (End)	Remarks	Pages
1	42477104100	SUPPORT	1						

# AT-142-3 42020300003 UPPER

Pos No.	Parts No	Parts Name	Qty	Unit	Technical Data	Serial No (Start)	Serial No (End)	R
1	42470230000	CLAMP HEAD (IZUMI 12TON 3.5M)	1					

# AT-142-3 42020300003 UPPER

Pos No.	Parts No	Parts Name	Qty	Unit	Technical Data	Serial No (Start)	Serial No
1	42472640000	CLAMP HEAD (IZUMI 8TON 3.5M ELECTRIC)	1				

# AT-142-3 42020300003 UPPER

Pos No.	Parts No	Parts Name	Qty	Unit	Technical Data	Serial No (Start)	Serial
1	42470030000	CUTTER HEAD (IZUMI 6.4TON 2.5M ELECTRIC)	1				

# AT-142-3 42020300003 UPPER

Pos No.	Parts No	Parts Name	Qty	Unit	Technical Data	Serial No (Start)	Serial No (End)	Remarks	P
1	42472670000	ROPE (SAFETY,WHITE)	1						

# AT-142-3 42020300003 UPPER

Pos No.	Parts No	Parts Name	Qty	Unit	Technical Data	Serial No (Start)	Serial No (End)	Remarks	Pages
1	42470121000	ARM ASSY	1						
2	42471231000	HOLDER	3						
3	42470123000	CLAMP ASSY	1						
4	42470044000	HOT STICK	1						
5	42475751000	SUPPORT	1						
6	90101216140	BOLT	1		M16X140				
7	90303071601	WASHER,PLAIN	2		16				
8	90201201600	NUT	2		M16				
9	42220011200	SUPPORT	1						
21	42470121100	ARM	1						
22	42470121200	CAP	2						

# AT-142-3 42020300003 UPPER

Pos No.	Parts No	Parts Name	Qty	Unit	Technical Data	Serial No (Start)	Serial No (End)	Remarks	Pages
1	42476801100	PLATE,SLIDE	4						

# AT-142-3 42020300003 UPPER

Pos No.	Parts No	Parts Name	Qty	Unit	Technical Data	Serial No (Start)	Serial No (End)	Remarks	Pages
1	42475550100	SUPPORT	1						
2	42475550010	HARNESS	1		L=1500				
3	82100002563	LAMP,LICENSE	1						
4	91810130240	FASTENER	10						
5	82100000711	CLAMP	5						
6	42475550020	HARNESS	1						000124
7	42473730020	COVER	1						
8	90101206010	BOLT	2		M6X1.0				
9	90302040601	WASHER,SPRING	8		6				
10	90201200500	NUT	1		M5				
11	90303070501	WASHER,PLAIN	1		5				
12	91810130230	FASTENER	1						
13	37000568000	PLATE	2						
14	90101206016	BOLT	6		M6X16				
15	90101206020	BOLT	1		M6X20				
21	82100000783	BULB,LAMP	1		24V 12W				

# AT-142-3 42020300003 UPPER

Pos No.	Parts No	Parts Name	Qty	Unit	Technical Data	Serial No (Start)	Serial No (End)	Remarks	Pages
1	42473740011	HARNESS	1						000100
2	91810130240	FASTENER	5						
3	42475560010	PLATE,NAME	1						
4	42473740030	LAMP ASSY	1						
5	82100002051	CLAMP	1		WS-A55				
6	80162305020	SCREW,MACHINE	2		M5X20				
7	90302040501	WASHER,SPRING	2		5				
8	90303070501	WASHER,PLAIN	2		5				
9	90201200500	NUT	2		M5				

# AT-142-3 42020300003 UPPER

Pos No.	Parts No	Parts Name	Qty	Unit	Technical Data	Serial No (Start)	Serial No (End)	Remarks
1	36690175010	COOLER,OIL	1					
2	36690315010	DUCT	1					
3	36690315020	FAN	1					
4	36690315030	GUARD (NET)	1					
5	36690255040	GUARD (NET)	1					
6	36690315040	PACKING	2					
7	36690315050	RIVET	4					
8	90101208016	BOLT	4		M8X16			
9	90303070801	WASHER,PLAIN	4		8			
10	90302040801	WASHER,SPRING	4		8			
11	82114101020	CONNECTOR (2P,MALE)	1					
12	82111101020	TERMINAL	1					
13	90101206014	BOLT	6		M6X14			
14	90303070601	WASHER,PLAIN	10		6			
15	90101206020	BOLT	4		M6X20			
30	36690310000	COOLER,OIL	1					

# AT-142-3 42020300003 UPPER

Pos No.	Parts No	Parts Name	Qty	Unit	Technical Data	Serial No (Start)	Serial No (End)	P
1	42476884000	COVER,BUCKET (WHITE,COOLER)	1					

# AT-142-3 42020300003 UPPER

Pos No.	Parts No	Parts Name	Qty	Unit	Technical Data	Serial No (Start)	Serial No (End)
5	80456210600	JOINT,SELF SEALING	2				
10	42472480000	HOSE,BOOSTER (FEMALE-FEMALE,3M)	1				

**AT-142-3 42020300003 UPPER**

Pos No.	Parts No	Parts Name	Qty	Unit	Technical Data	Serial No (Start)	Serial No
1	80456210600	JOINT,SELF SEALING	1				
2	42471807510	HOSE ASSY	1		2M		
3	42470362100	JOINT,SELF SEALING	1				
4	42471807520	HOSE,AIR	1		2M		
5	42470362200	PUMP	1				
6	80456240600	JOINT,SELF SEALING (WITH DUST CAP)	1				
7	42470367840	TUBE	2		25X0.15M		
8	42470367780	JOINT	1				
21	42471437520	CAP	1				
50	42471800000	HOSE,BOOSTER (WITH AIR BALLOON,2M)	1				

# AT-142-3 42020300003 UPPER

Pos No.	Parts No	Parts Name	Qty	Unit	Technical Data	Serial No (Start)	Serial No
1	42474030000	STEP, BUCKET (GRAY, FOR BUCKET INNER)	1				

# AT-142-3 42020300003 UPPER

Pos No.	Parts No	Parts Name	Qty	Unit	Technical Data	Serial No (Start)	Serial No (End)	Remarks
1	42472530000	BOX,TOOL (FOR BUCKET)	1					

# AT-142-3 42020300003 UPPER

Pos No.	Parts No	Parts Name	Qty	Unit	Technical Data	Serial No (Start)	Serial No (End)	Remarks	Pa
1	42262824500	COVER,WINCH (BLUE)	1						

CLICK HERE TO **DOWNLOAD** THE COMPLETE MANUAL

- Thank you very much for reading the preview of the manual.
- You can download the complete manual from: [www.heydownloads.com](http://www.heydownloads.com) by clicking the link below



- Please note: If there is no response to CLICKING the link, please download this PDF first and then click on it.

CLICK HERE TO **DOWNLOAD** THE COMPLETE MANUAL