

AT-142-3 42020310200 LOWER,NISSAN KK-BRK71E3N 5JXHY
PX1000642-01 MOUNTING PARTS
ASSEMBLY

CLICK HERE TO **DOWNLOAD** THE COMPLETE MANUAL

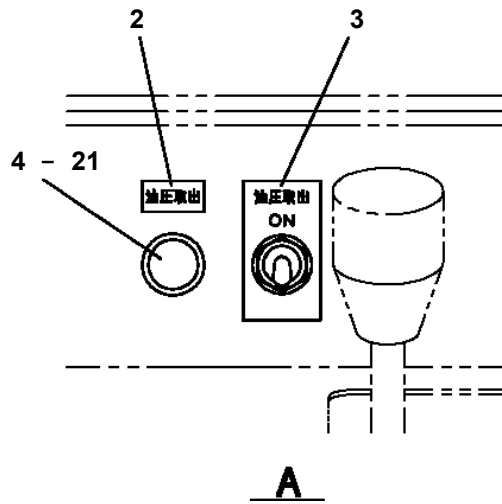
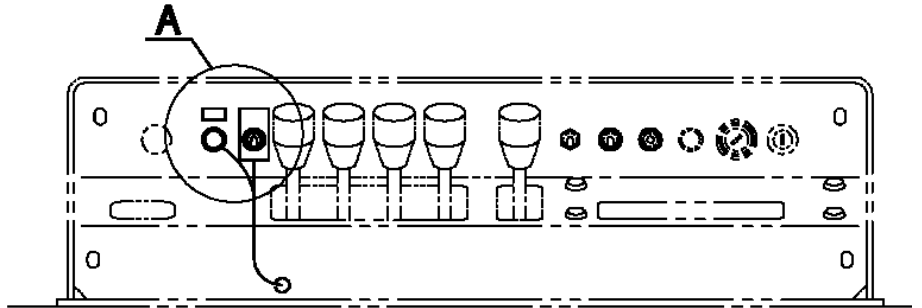
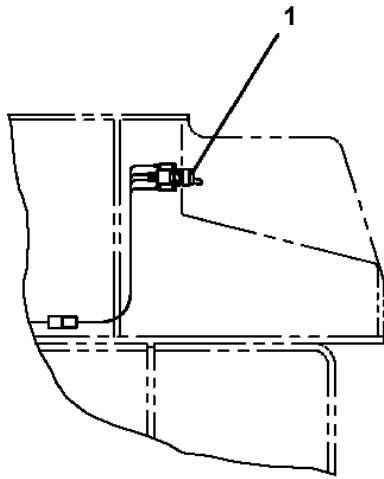
- Thank you very much for reading the preview of the manual.
- You can download the complete manual from: www.heydownloads.com by clicking the link below



- Please note: If there is no response to CLICKING the link, please download this PDF first and then click on it.

CLICK HERE TO **DOWNLOAD** THE COMPLETE MANUAL

AT-142-3 42020310200 LOWER,NISSAN KK-BRK71E3N 5JXHY
PB1380060-02 POWER SUPPLY (LOWER HYDRAULIC OUTLET SW)



AT-142-3 42020310200 LOWER,NISSAN KK-BRK71E3N 5JXHY

Pos No.	Parts No	Parts Name	Qty	Unit	Technical Data	Serial No (Start)
1	80305010120	FITTING,TEE	1		ZKTA15-000N	
3	90172108060	BOLT,HEXAGON SOCKET	2		M8X60	
4	90302040801	WASHER,SPRING	5		8	
5	42737680100	SUPPORT	1			
6	90131508012	BOLT,HEXAGON SOCKET <M8X12.	3			
7	80456110610	JOINT,SELF SEALING (SOCKET)	1			
8	80456120610	JOINT,SELF SEALING (PLUG)	1			
9	42733682200	COVER ASSY	1			
10	81408000210	PIPE,STEEL	1	M	15X2.0T	
11	81408000210	PIPE,STEEL	1	M	15X2.0T	
12	37000711090	CLAMP ASSY	2		18X2	
13	91002801400	O-RING	4		1B P14	
14	37000514590	PLATE	1			
15	80302090181	FITTING	2		KCO15-030N	
16	81408000210	PIPE,STEEL	1	M	15X2.0T	
17	42736001600	HARNESS	1			
18	42350250070	PLUG (2 POLES,MALE)	1			
19	80430620800	JOINT	1			
20	80302090201	FITTING	1		KCO15-040N	
21	81408000210	PIPE,STEEL	1	M	15X2.0T	
22	91002801800	O-RING	1		1B P18	
23	37002461710	HOSE	1		L=750	
24	81408000210	PIPE,STEEL	1	M	15X2.0T	
25	81408000210	PIPE,STEEL	1	M	15X2.0T	
26	42737670100	SUPPORT	1			
27	42432063400	PLATE	1			
30	(*****)	POWER SUPPLY (LOWER HYDRAULIC OUTLET SW)	1			
31	80301010120	FITTING	4		KUA15-000N	
32	81408000210	PIPE,STEEL	1	M	15X2.0T	
33	81408000210	PIPE,STEEL	1	M	15X2.0T	
34	37000300750	SLEEVE	4		18-15	
35	91810132530	FASTENER	3			
51	42736711100	FITTING,FLANGE	1			
52	36645930000	VALVE,SOLENOID	1			
53	90172105050	BOLT,HEXAGON SOCKET	4		M5X50	
54	80316070080	PLUG	1		PF1/2	
55	91002801800	O-RING	4		1B P18	
56	80316070040	PLUG	2		PF1/4	
57	91002801100	O-RING	2		1B P11	
58	80303130181	FITTING,ELBOW	1		KLO15-030E	
59	80303130201	FITTING,ELBOW	1		KLO15-040E	
60	36604750000	VALVE,RELIEF	1			
61	42433330020	PLUG (2 POLES,FEMALE)	1			
62	80430620800	JOINT	1			
71	42733682210	COVER	1			
72	42733682240	COVER	1			
73	90201200300	NUT	12		M3	
74	80172303008	SCREW,MACHINE	4		M3X8	
75	90302040301	WASHER,SPRING	12		3	
76	90303070301	WASHER,PLAIN	2		3	
77	82480001103	CATCH	1			
78	80176803008	SCREW,MACHINE	8		M3X8	
79	82464102700	HINGE	2			
101	91002801400	O-RING	1		1B P14	
111	91071011500	O-RING	1		Y22550-115-A	
112	91470000600	RING,BACKUP	1		Y22021-06	

AT-142-3 42020310200 LOWER,NISSAN KK-BRK71E3N 5JXHY

Pos No.	Parts No	Parts Name	Qty	Unit	Technical Data	Serial No (Start)	Serial No (End)	Rem
1	91660003001	SEAL,DUST	1					
2	91694003000	PACKING	1					
3	91002904000	O-RING	1		1B G40			
4	36040335021	COVER,ROD	1					
5	36042415100	CYLINDER	1					
10	80316090010	PLUG	2		KKT PT1/16			
11	91002802000	O-RING	1		1B P20			
12	91411203501	RING,BACKUP	2					
13	90302041801	WASHER,SPRING	1		18			
14	91684004500	PACKING	2					
15	90209201800	NUT	1		M18			
21	36042405301	PISTON	1					
22	36042405010	ROD ASSY	1					
30	36042419902	PACKING SET	1		30X45			
50	36042410000	CYLINDER,EXTENSION (REAR)	1					

AT-142-3 42020310200 LOWER,NISSAN KK-BRK71E3N 5JXHY

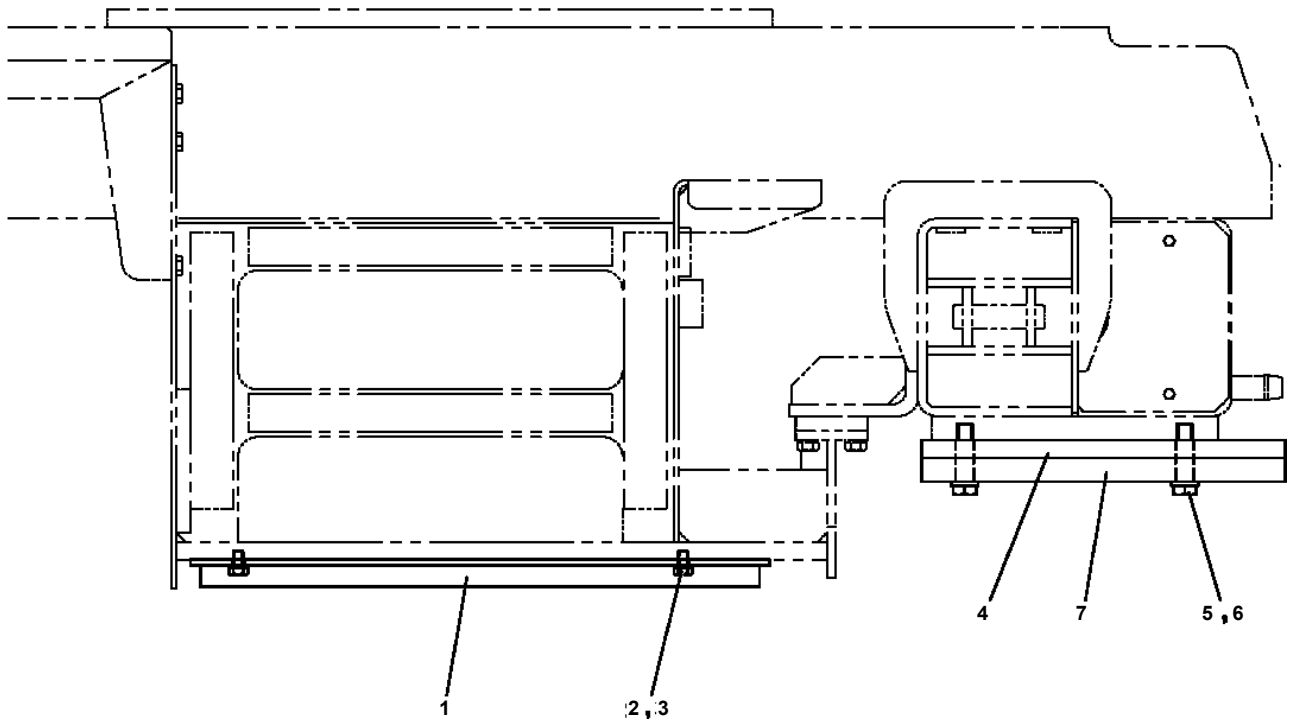
Pos No.	Parts No	Parts Name	Qty	Unit	Technical Data	Serial No (Start)	Serial No (End)	Remarks	Pages
100	42736001600	HARNESS	1						

AT-142-3 42020310200 LOWER,NISSAN KK-BRK71E3N 5JXHY

Pos No.	Parts No	Parts Name	Qty	Unit	Technical Data	Serial No (Start)	Serial No (End)	Remarks
1	36648281000	VALVE,SOLENOID	1					
2	90131905045	BOLT,HEXAGON SOCKET	4		M5X45			
50	36648280000	VALVE,SOLENOID	1					

AT-142-3 42020310200 LOWER,NISSAN KK-BRK71E3N 5JXHY
PK1230031-00 WEIGHT

FRONT ←



CLICK HERE TO **DOWNLOAD** THE COMPLETE MANUAL

- Thank you very much for reading the preview of the manual.
- You can download the complete manual from: www.heydownloads.com by clicking the link below

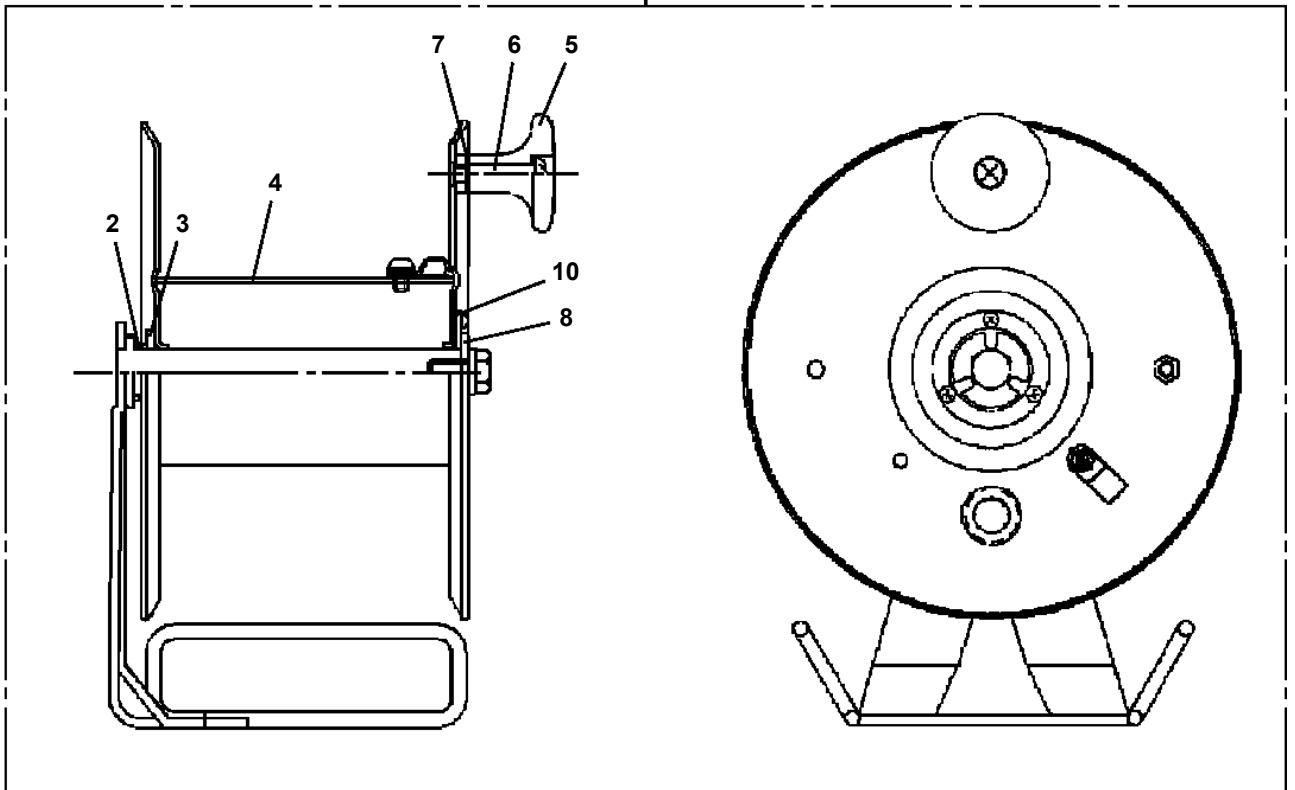


- Please note: If there is no response to CLICKING the link, please download this PDF first and then click on it.

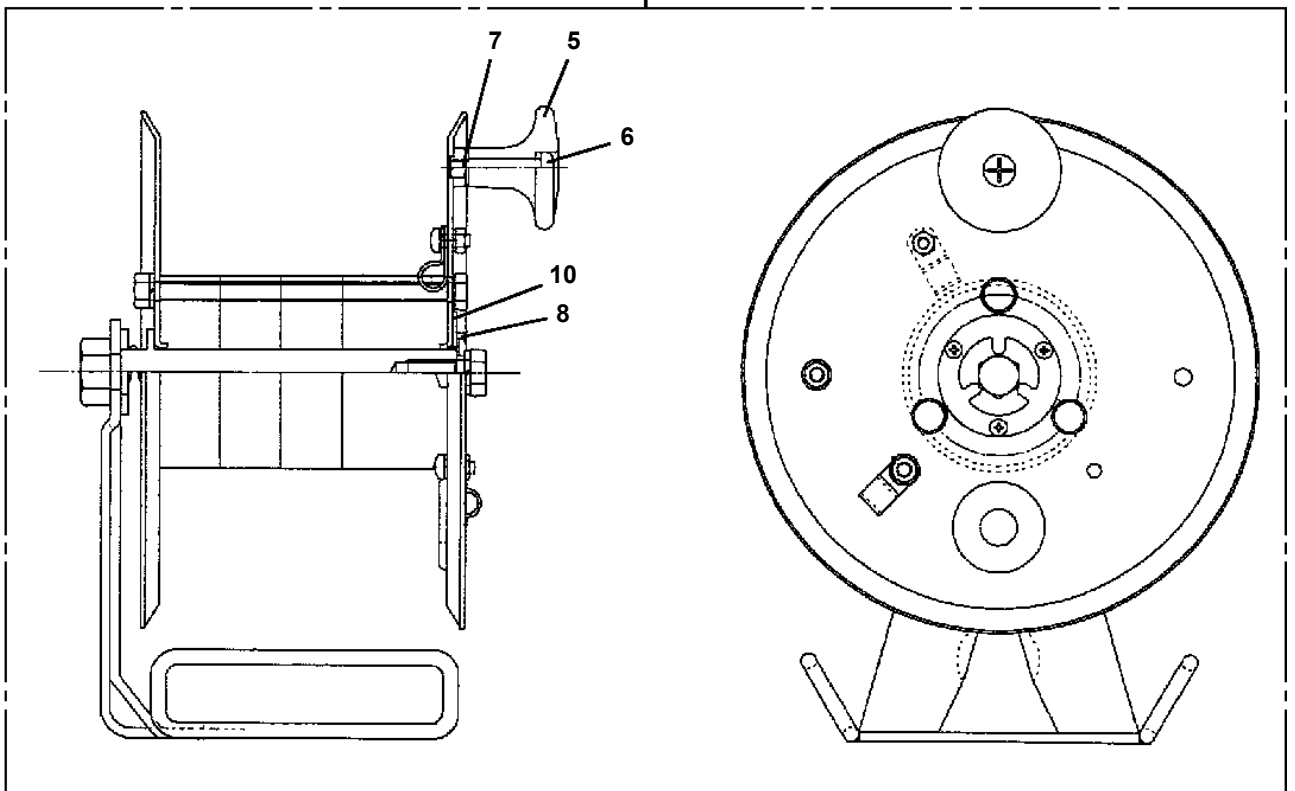
CLICK HERE TO **DOWNLOAD** THE COMPLETE MANUAL

AT-142-3 42020310200 LOWER,NISSAN KK-BRK71E3N 5JXHY
PN1350032-02 REEL,CORD

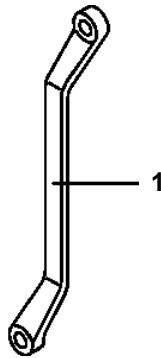
50



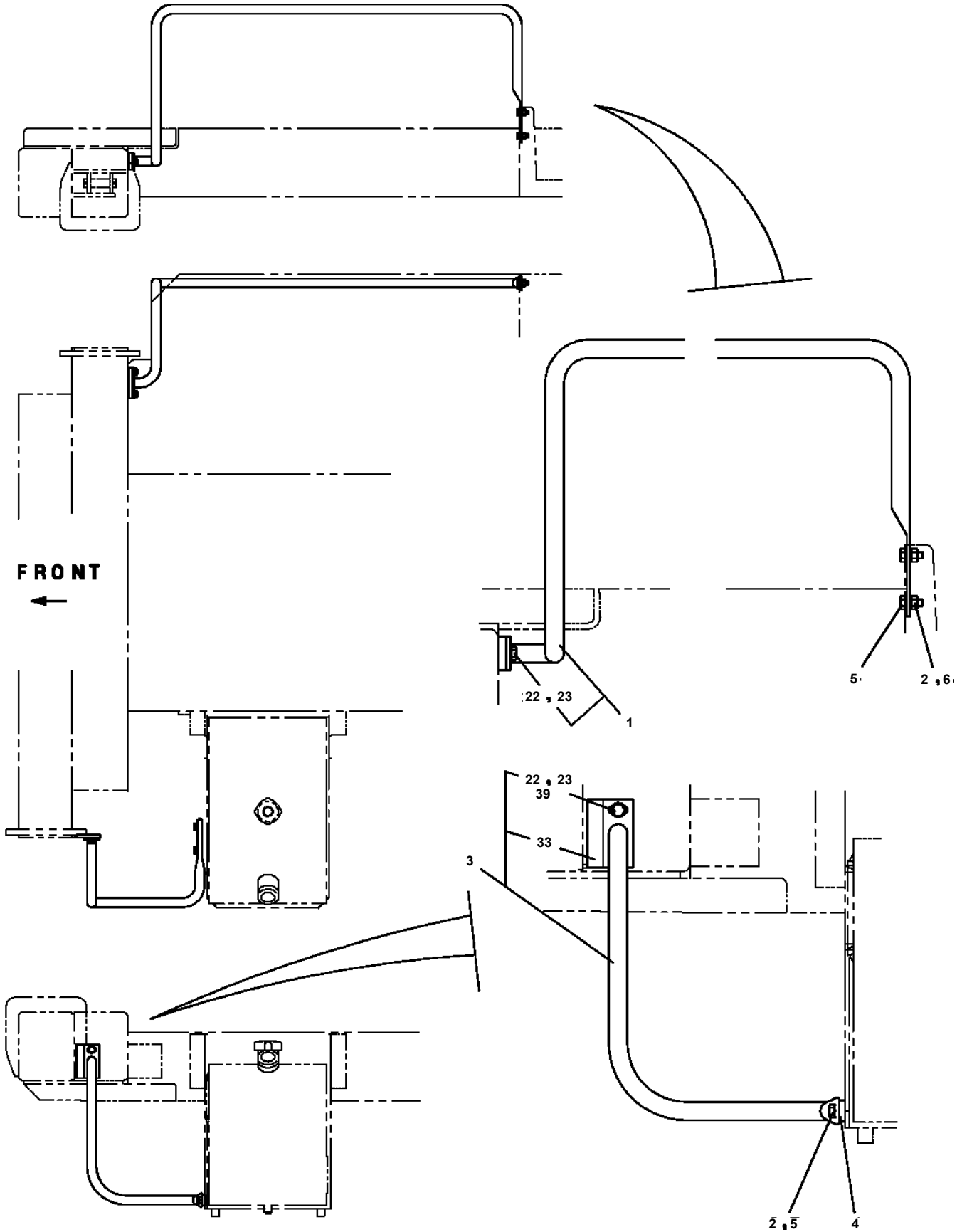
50



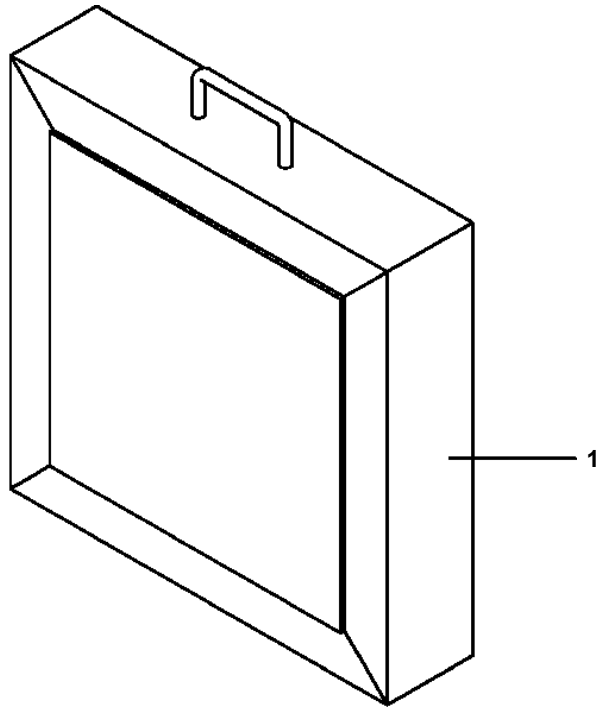
**AT-142-3 42020310200 LOWER,NISSAN KK-BRK71E3N 5JXHY
PW1010381-00 ACCESSORIES (WRENCH)**



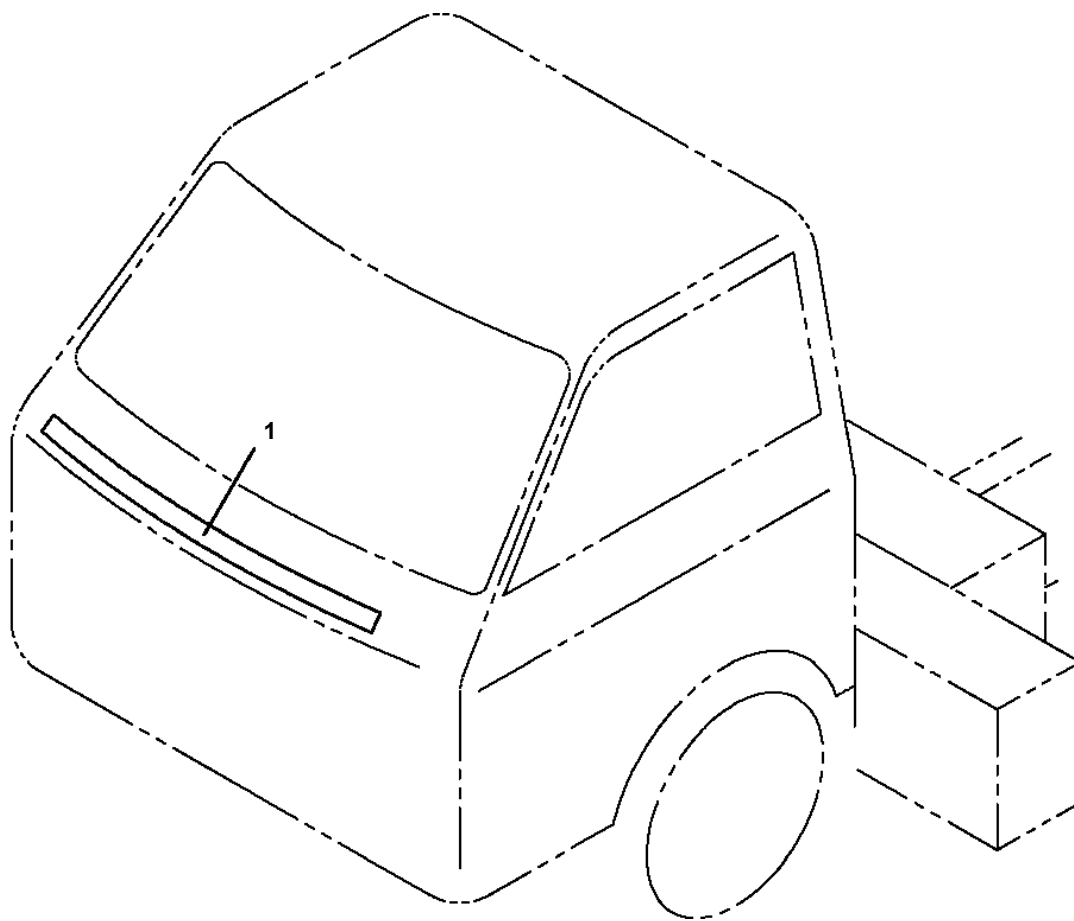
AT-142-3 42020310200 LOWER,NISSAN KK-BRK71E3N 5JXHY
PX1200364-00 GUARD,SIDE (FRONT)



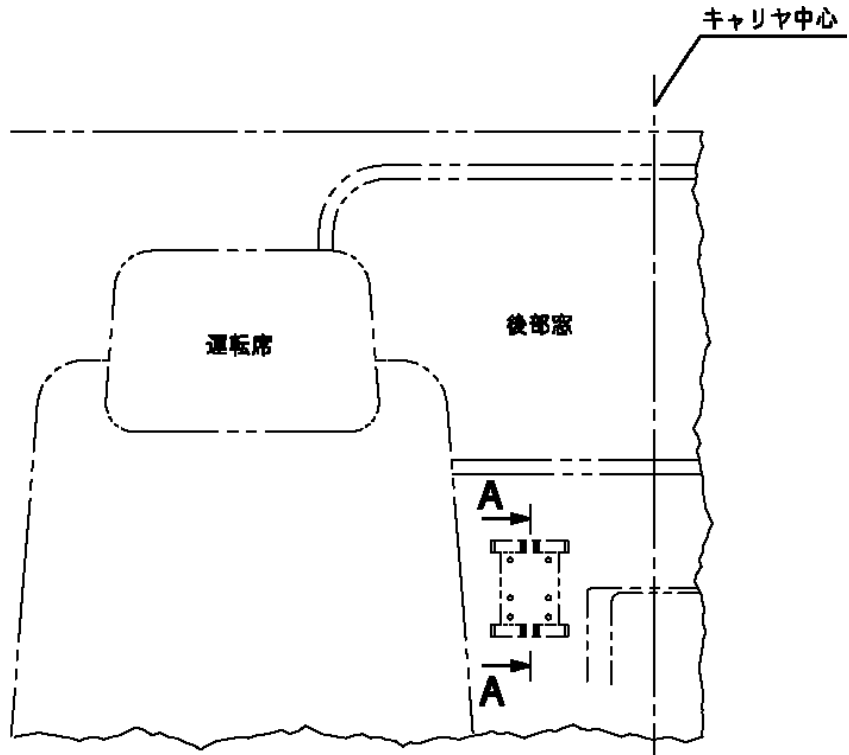
AT-142-3 42020310200 LOWER,NISSAN KK-BRK71E3N 5JXHY
PX1270086-01 WOOD BLOCK (W=350,H=80)



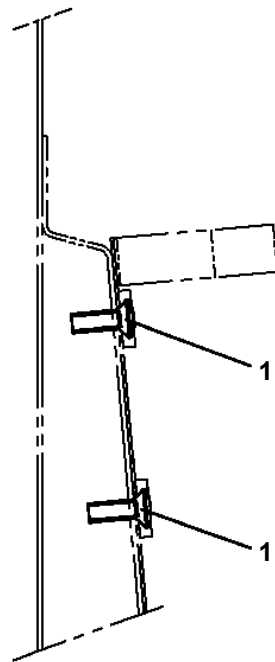
**AT-142-3 42020310200 LOWER,NISSAN KK-BRK71E3N 5JXHY
PX1360028-00 REFLECTOR (CARRIER)**



AT-142-3 42020310200 LOWER,NISSAN KK-BRK71E3N 5JXHY
PX1810200-00 MOUNT,SUPPORT



キャブ内

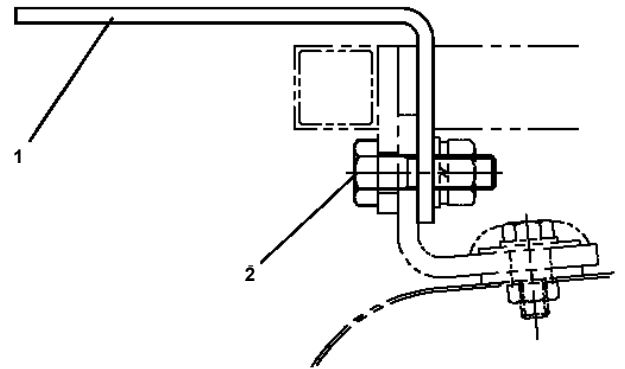
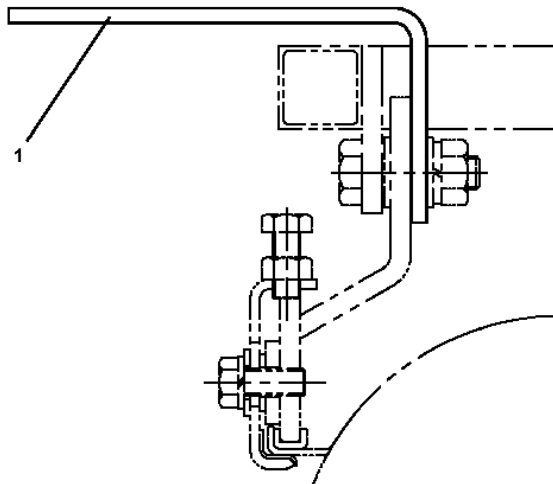
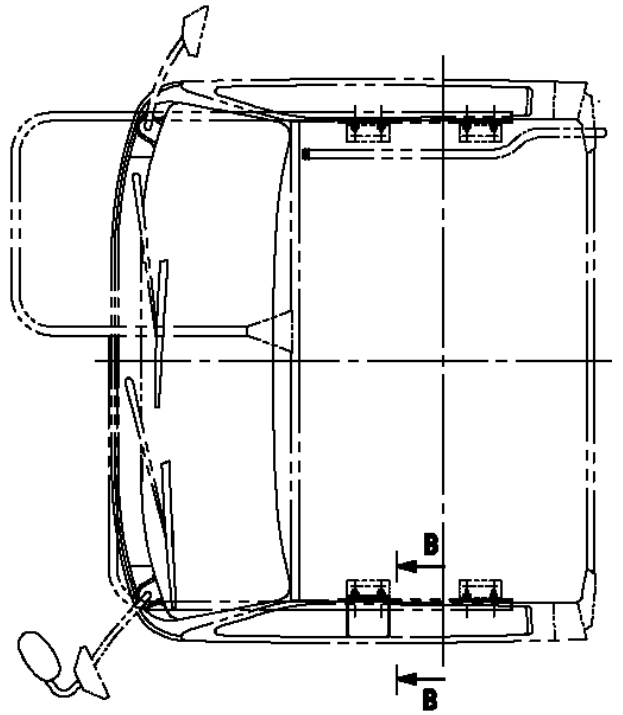
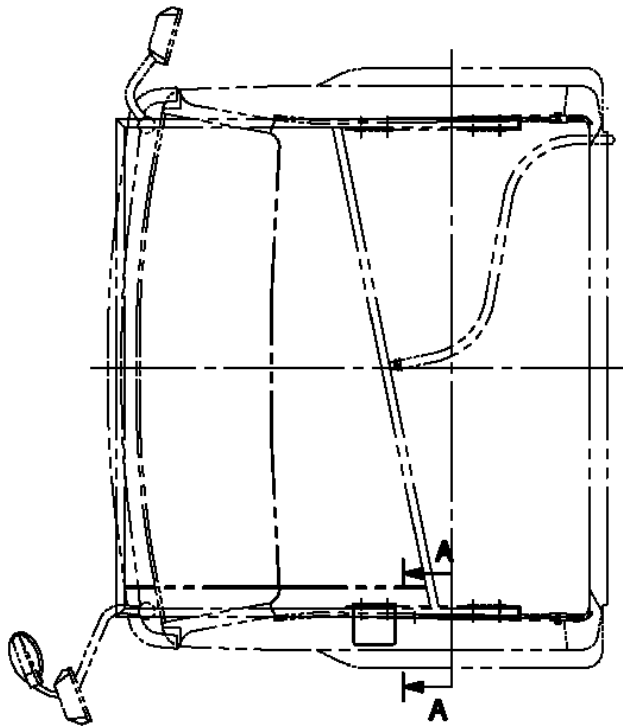


A-A

AT-142-3 42020310200 LOWER,NISSAN KK-BRK71E3N 5JXHY
PY1550023-00 TOOL SUPPORT (ANTENA)

ISUZU

MITSUBISHI



A-A

B-B

CLICK HERE TO **DOWNLOAD** THE COMPLETE MANUAL

- Thank you very much for reading the preview of the manual.
- You can download the complete manual from: www.heydownloads.com by clicking the link below



- Please note: If there is no response to CLICKING the link, please download this PDF first and then click on it.

CLICK HERE TO **DOWNLOAD** THE COMPLETE MANUAL