

AT-142-3 42020322700 LOWER, MITSUBISHI KK-FE53EBX6K2
PX1001315-00 MOUNTING PARTS
ASSEMBLY

CLICK HERE TO **DOWNLOAD** THE COMPLETE MANUAL

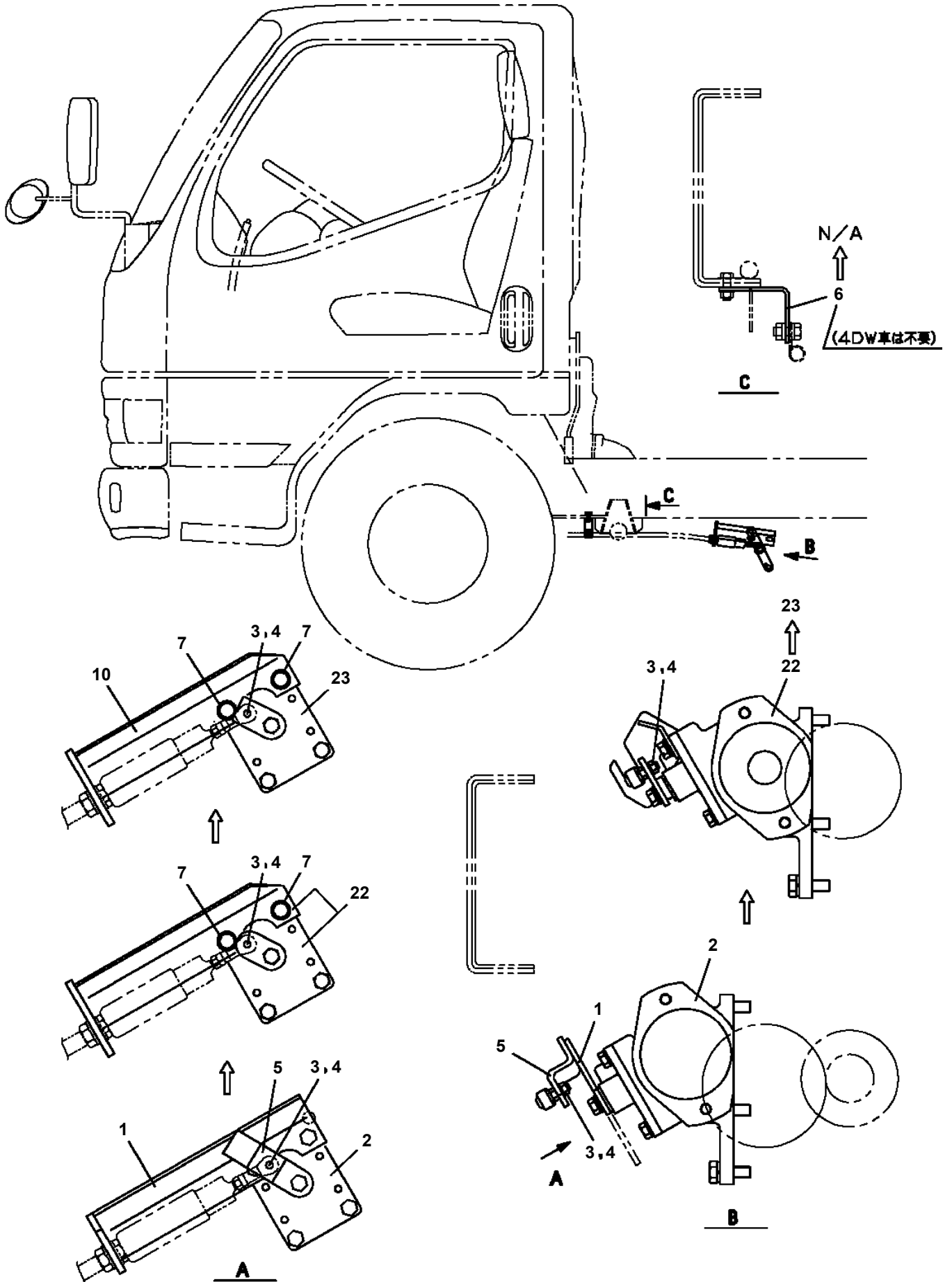
- Thank you very much for reading the preview of the manual.
- You can download the complete manual from: www.heydownloads.com by clicking the link below



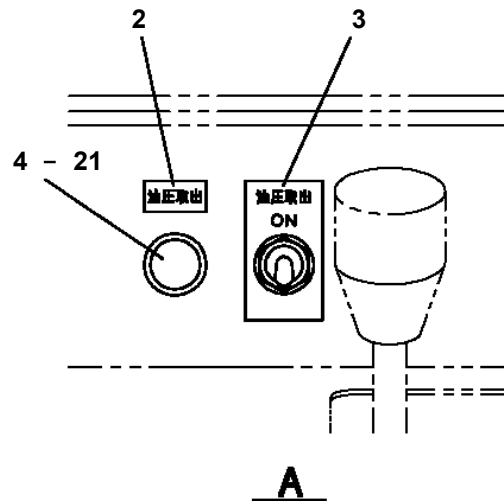
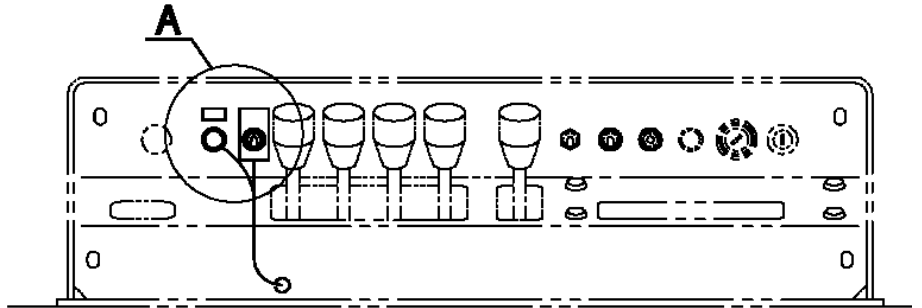
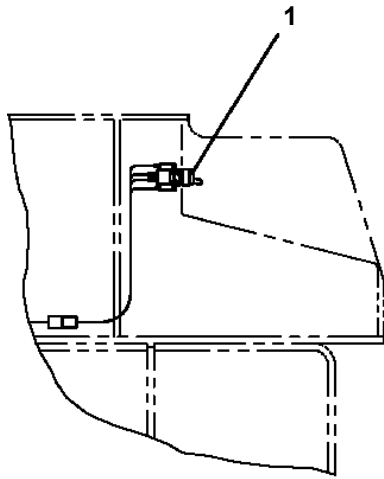
- Please note: If there is no response to CLICKING the link, please download this PDF first and then click on it.

CLICK HERE TO **DOWNLOAD** THE COMPLETE MANUAL

**AT-142-3 42020322700 LOWER, MITSUBISHI KK-FE53EBX6K2
PB1050119-06 OPE.ASSY, P.T.O.**



AT-142-3 42020322700 LOWER, MITSUBISHI KK-FE53EBX6K2
PB1380060-02 POWER SUPPLY (LOWER HYDRAULIC OUTLET SW)



AT-142-3 42020322700 LOWER,MITSUBISHI KK-FE53EBX6K2

Pos No.	Parts No	Parts Name	Qty	Unit	Technical Data	Serial No (Start)
1	80305010120	FITTING,TEE	1		ZKTA15-000N	
3	90172108060	BOLT,HEXAGON SOCKET	2		M8X60	
4	90302040801	WASHER,SPRING	5		8	
5	42736700100	SUPPORT	1			
6	90131508012	BOLT,HEXAGON SOCKET <M8X12.	3			
7	80456110610	JOINT,SELF SEALING (SOCKET)	1			
8	80456120610	JOINT,SELF SEALING (PLUG)	1			
9	42733682200	COVER ASSY	1			
10	81408000210	PIPE,STEEL	1	M	15X2.0T	
11	81408000210	PIPE,STEEL	1	M	15X2.0T	
12	37000711090	CLAMP ASSY	1		18X2	
13	37000300750	SLEEVE	2		18-15	
14	37000514590	PLATE	1			
15	91002801400	O-RING	4		1B P14	
16	81408000210	PIPE,STEEL	1	M	15X2.0T	
17	42736001600	HARNESS	1			
18	42350250070	PLUG (2 POLES,MALE)	1			
19	80430620800	JOINT	1			
20	80302090201	FITTING	1		KCO15-040N	
21	81408000210	PIPE,STEEL	1	M	15X2.0T	
22	91002801800	O-RING	1		1B P18	
23	37002461710	HOSE	1		L=750	
24	81408000210	PIPE,STEEL	1	M	15X2.0T	
25	81408000210	PIPE,STEEL	1	M	15X2.0T	
27	80301010120	FITTING	2		KUA15-000N	
30	(*****)	POWER SUPPLY (LOWER HYDRAULIC OUTLET SW)	1			
31	80302090181	FITTING	2		KCO15-030N	
32	42432063400	PLATE	1			
33	91810132530	FASTENER	3			
51	42736711100	FITTING,FLANGE	1			
52	36645930000	VALVE,SOLENOID	1			
53	90172105050	BOLT,HEXAGON SOCKET	4		M5X50	
54	80316070080	PLUG	1		PF1/2	
55	91002801800	O-RING	4		1B P18	
56	80316070040	PLUG	2		PF1/4	
57	91002801100	O-RING	2		1B P11	
58	80303130181	FITTING,ELBOW	1		KLO15-030E	
59	80303130201	FITTING,ELBOW	1		KLO15-040E	
60	36604750000	VALVE,RELIEF	1			
61	42433330020	PLUG (2 POLES,FEMALE)	1			
82	80430620800	JOINT	1			
91	42733682210	COVER	1			
92	42733682240	COVER	1			
93	90201200300	NUT	12		M3	
94	80172303008	SCREW,MACHINE	4		M3X8	
95	90302040301	WASHER,SPRING	12		3	
96	90303070301	WASHER,PLAIN	2		3	
97	82480001103	CATCH	1			
98	80176803008	SCREW,MACHINE	8		M3X8	
99	82464102700	HINGE	2			
121	91002801400	O-RING	1		1B P14	
131	91071011500	O-RING	1		Y22550-115-A	
132	91470000600	RING,BACKUP	1		Y22021-06	

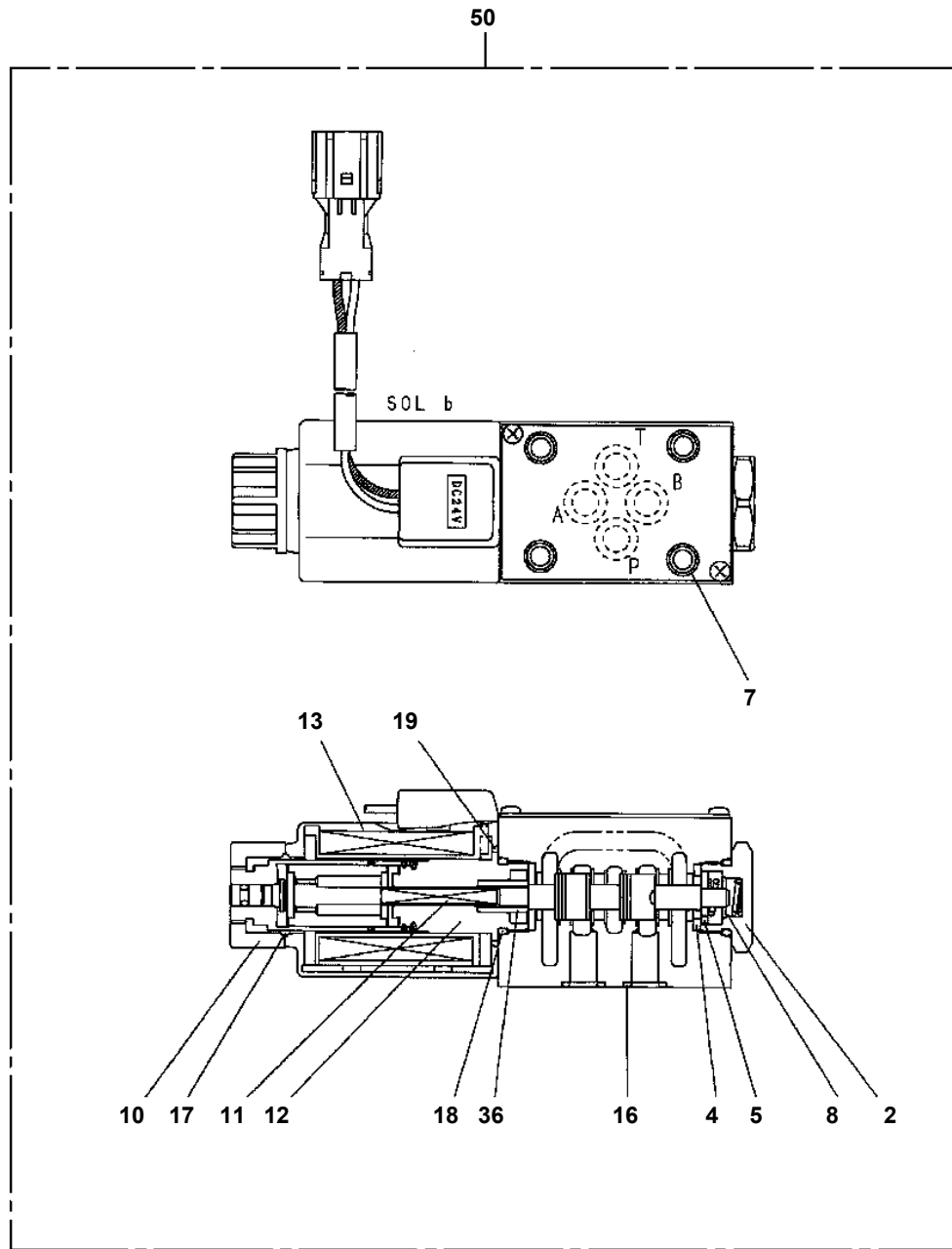
AT-142-3 42020322700 LOWER,MITSUBISHI KK-FE53EBX6K2

Pos No.	Parts No	Parts Name	Qty	Unit	Technical Data	Serial No (Start)	Serial No (End)	Remarks	Pages
100	42931880100	HARNESS	1						

AT-142-3 42020322700 LOWER,MITSUBISHI KK-FE53EBX6K2

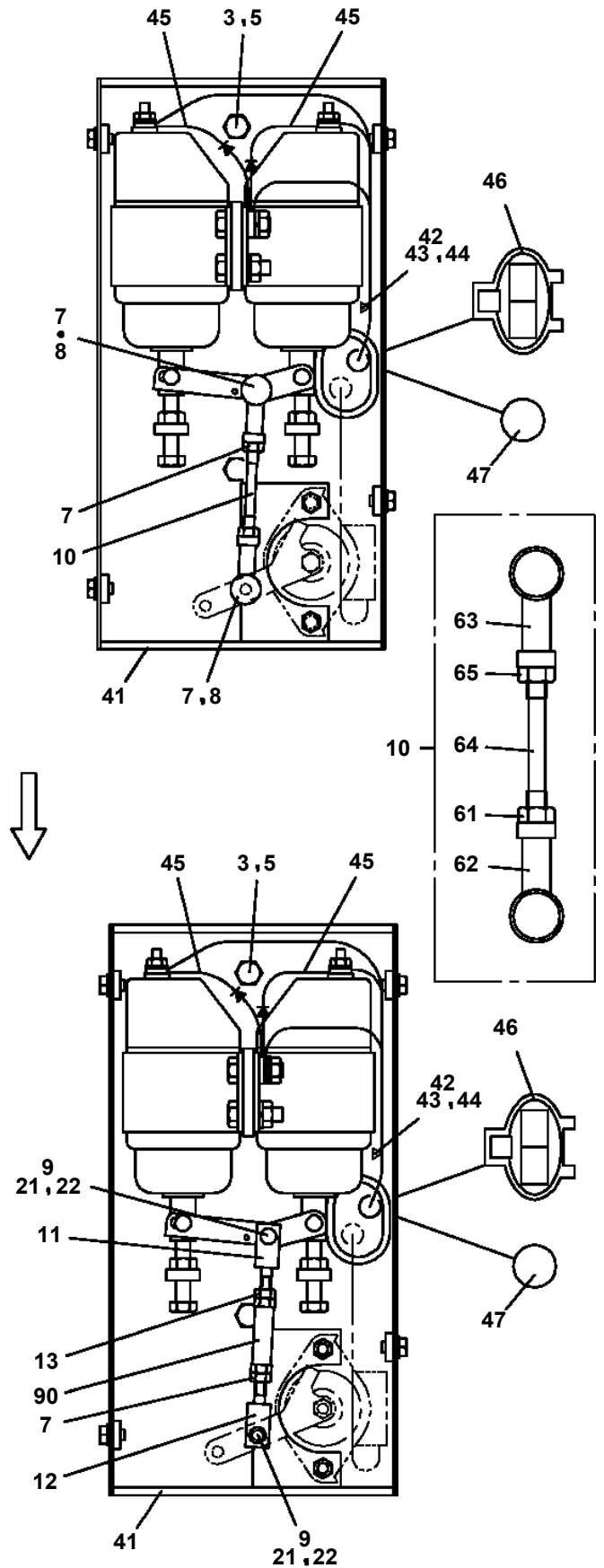
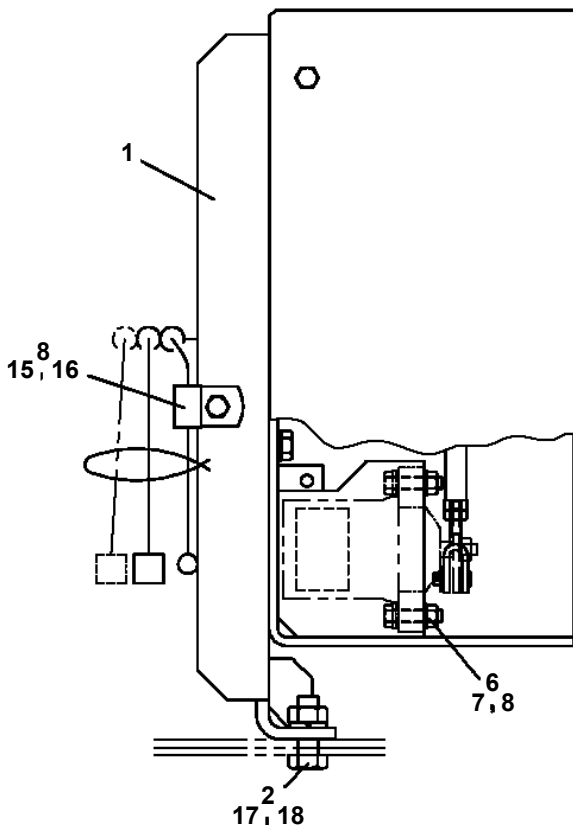
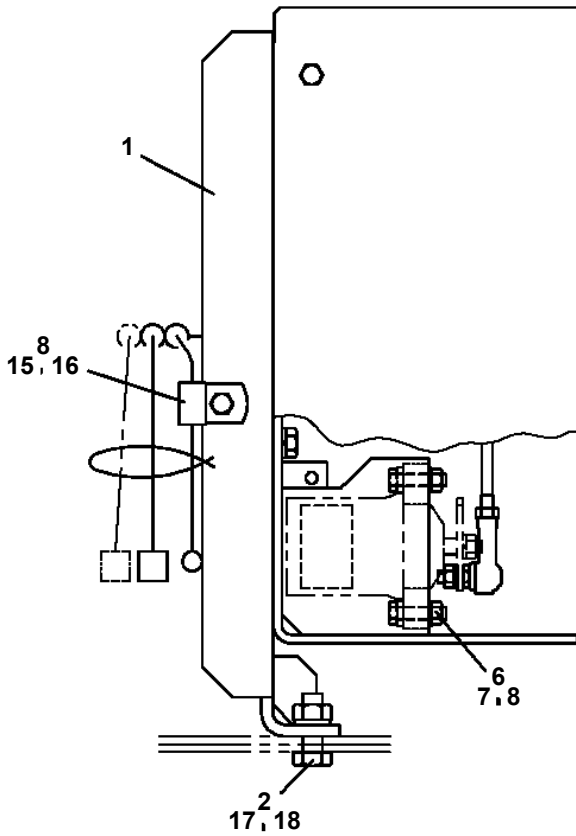
Pos No.	Parts No	Parts Name	Qty	Unit	Technical Data	Serial No (Start)	Serial No (End)	Remarks	Pages
100	42712341010	HARNESS	1						

AT-142-3 42020322700 LOWER, MITSUBISHI KK-FE53EBX6K2
PI1120272-01 VALVE, SOLENOID



AT-142-3 42020322700 LOWER, MITSUBISHI KK-FE53EBX6K2
 PL1030802-05 OPE.ASSY, ACCELERATOR

展開図有
 ILLUSTRATED BREAKDOWN NO. 41



A

CLICK HERE TO **DOWNLOAD** THE COMPLETE MANUAL

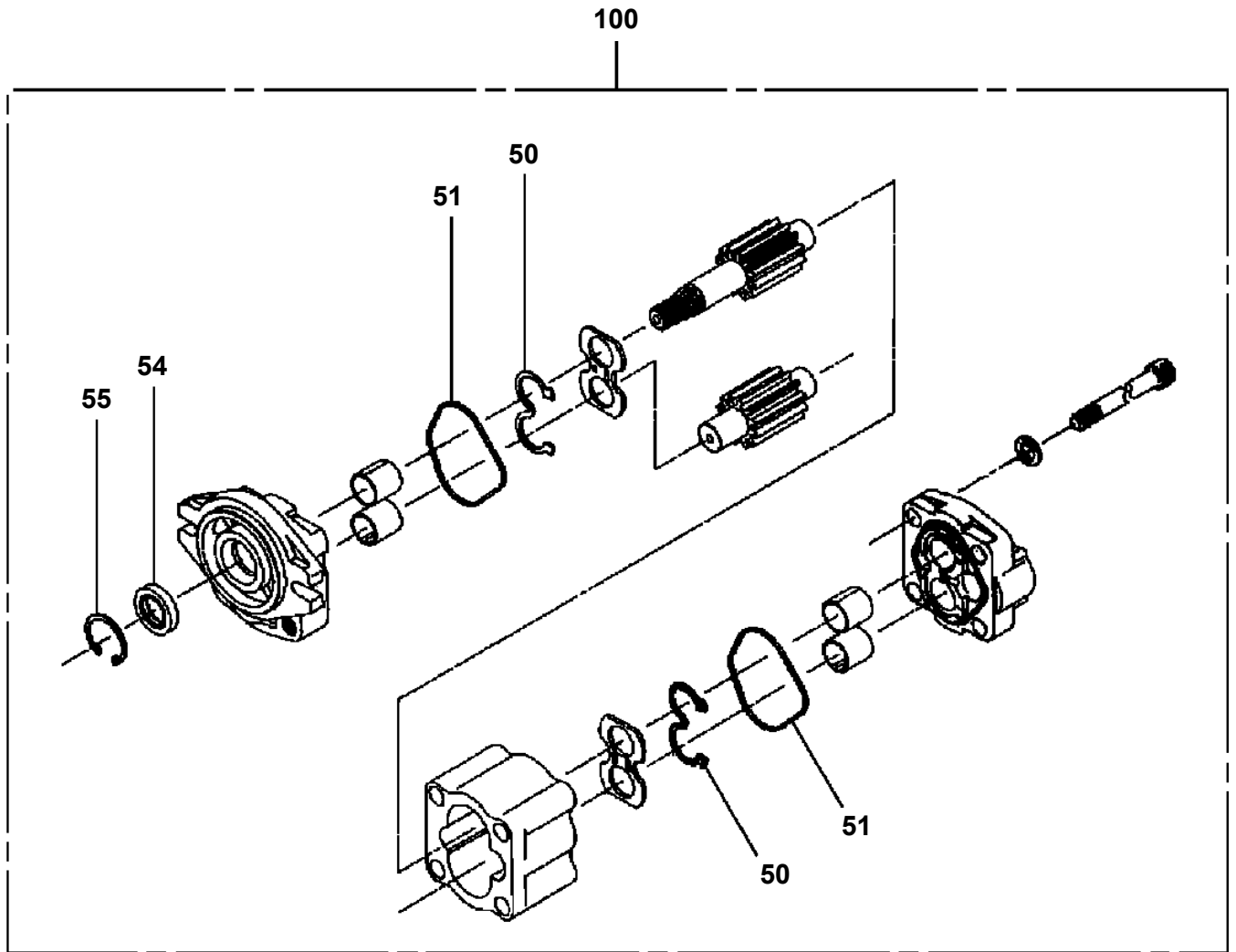
- Thank you very much for reading the preview of the manual.
- You can download the complete manual from: www.heydownloads.com by clicking the link below



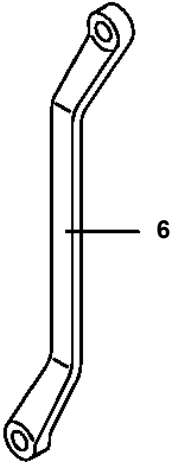
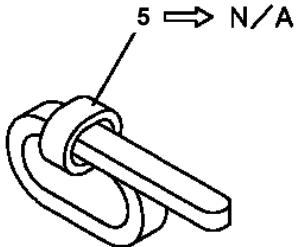
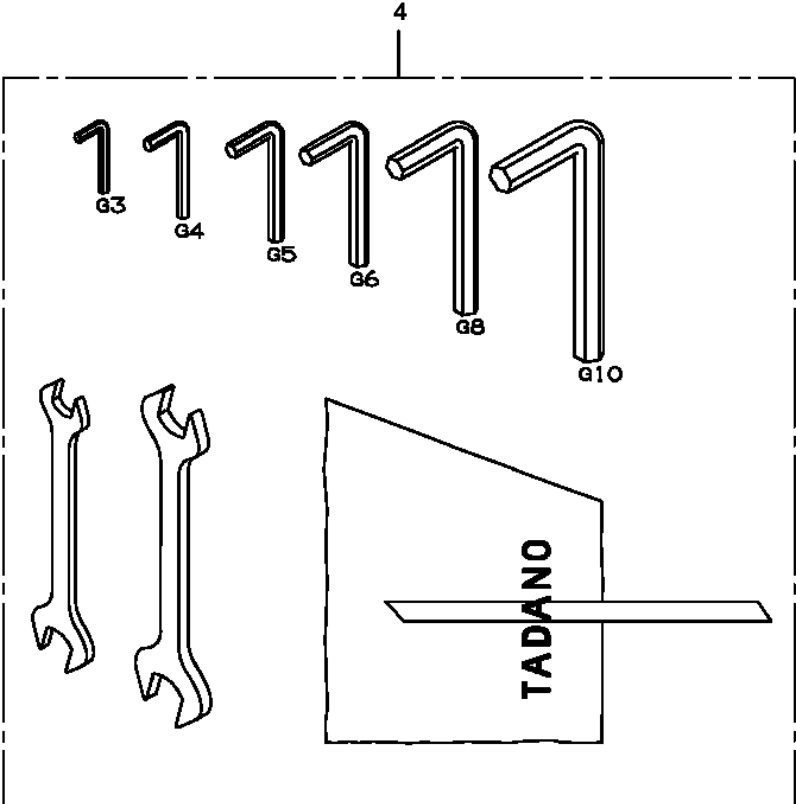
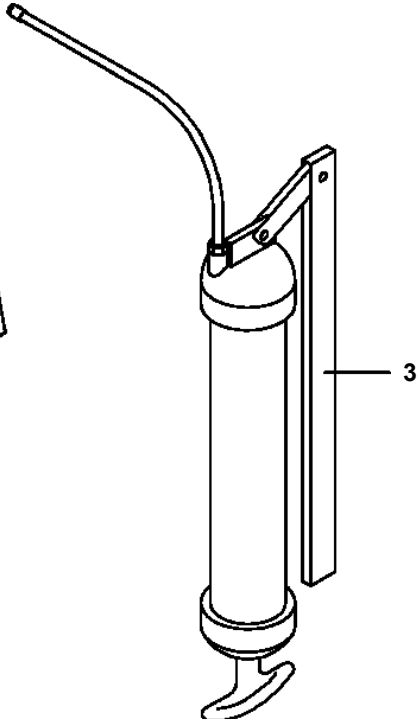
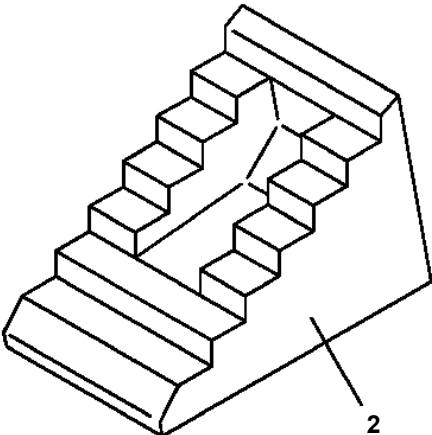
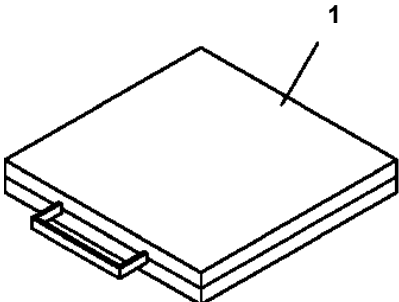
- Please note: If there is no response to CLICKING the link, please download this PDF first and then click on it.

CLICK HERE TO **DOWNLOAD** THE COMPLETE MANUAL

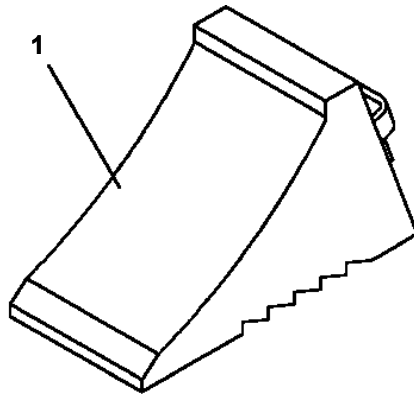
AT-142-3 42020322700 LOWER, MITSUBISHI KK-FE53EBX6K2
PP5500003-00 PUMP, OIL (32CC:L)



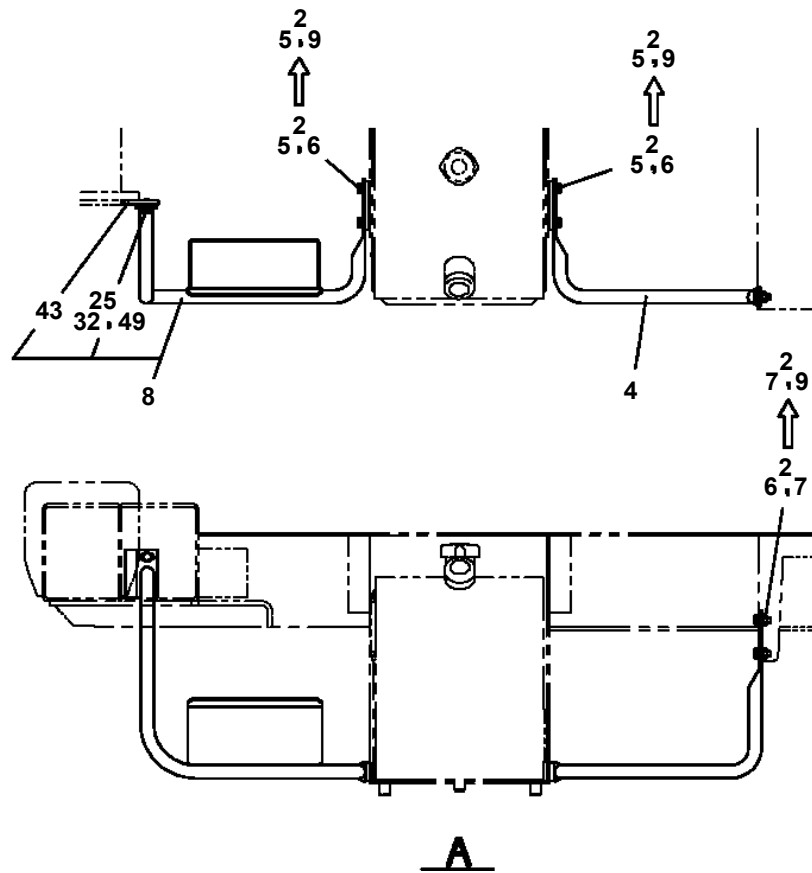
**AT-142-3 42020322700 LOWER, MITSUBISHI KK-FE53EBX6K2
PW1010091-04 ACCESSORIES**



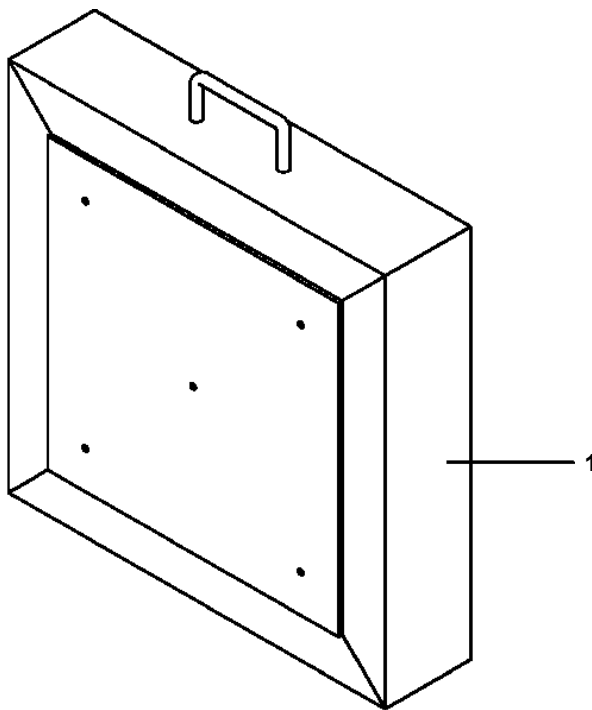
**AT-142-3 42020322700 LOWER, MITSUBISHI KK-FE53EBX6K2
PW5110003-00 WEDGE (STOPPER FOR TIRE/NAKAMURA KIKI)**



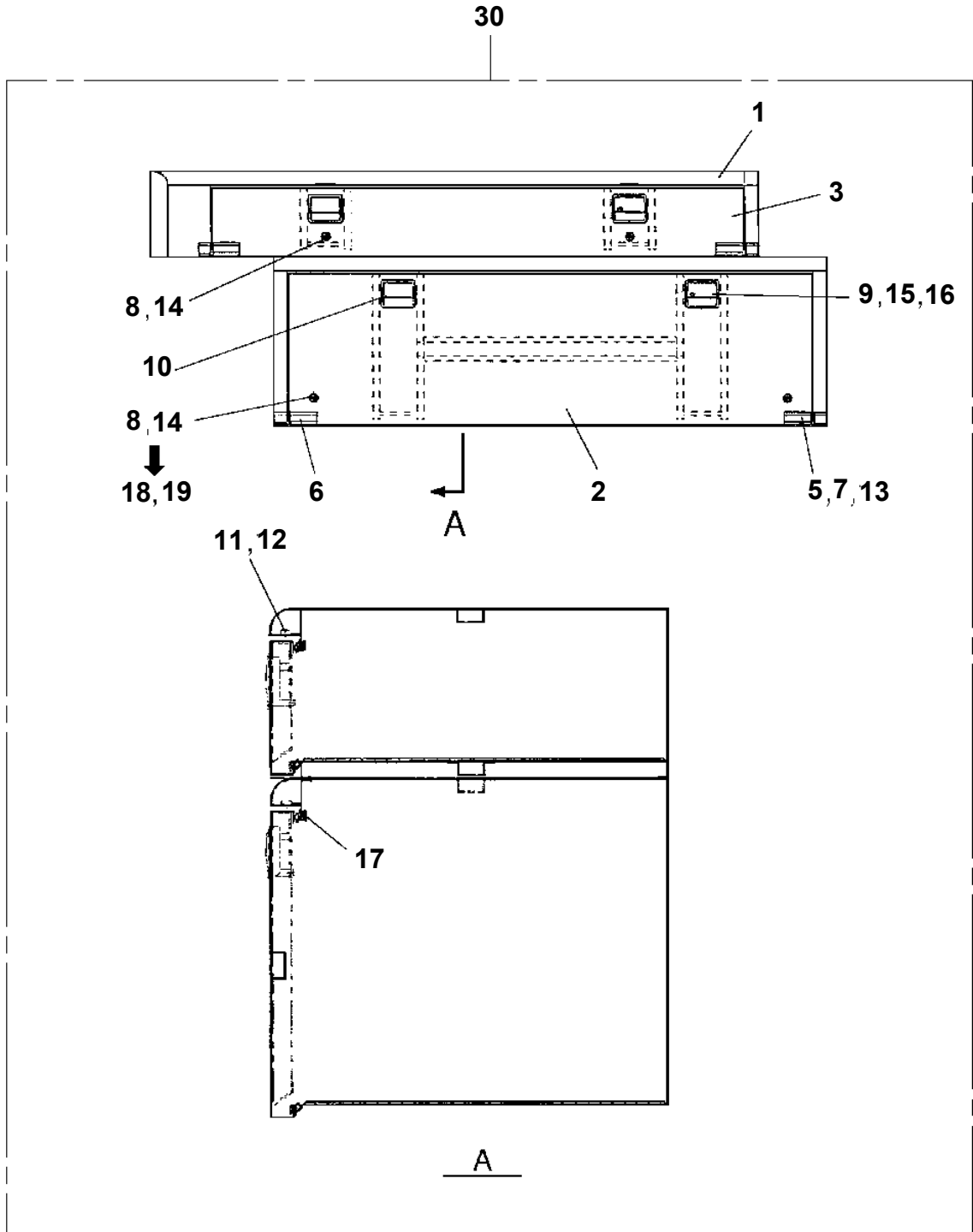
AT-142-3 42020322700 LOWER, MITSUBISHI KK-FE53EBX6K2
PX1200284-02 GUARD, SIDE (FRONT)



AT-142-3 42020322700 LOWER, MITSUBISHI KK-FE53EBX6K2
PX1270075-01 WOOD BLOCK (WITH RUBBER, T=80)



AT-142-3 42020322700 LOWER, MITSUBISHI KK-FE53EBX6K2
PX1350293-01 BOX, TOOL (LEFT, FOR HASHIMOTODENKOU)



AT-142-3 42020322700 LOWER,MITSUBISHI KK-FE53EBX6K2

Pos No.	Parts No	Parts Name	Qty	Unit	Technical Data	Serial No (Start)	Serial No (End)	Remarks	Pages
1	90101210014	BOLT	1		M10X14				
2	90302041001	WASHER,SPRING	1		10				
3	42782530100	SUPPORT	1						
4	42782530200	SUPPORT	1						
5	42783560101	SUPPORT	1						
6	90101208014	BOLT	2		M8X14				
7	90302040801	WASHER,SPRING	2		8				
9	42783560200	HOSE	2		L=750				
10	89631301000	HOSE,VINYL	1		22X26,1M				
11	91810130240	FASTENER	6						

AT-142-3 42020322700 LOWER,MITSUBISHI KK-FE53EBX6K2

Pos No.	Parts No	Parts Name	Qty	Unit	Technical Data	Serial No (Start)	Serial No (End)	Re
1	82199444326	LAMP (YELLOW) <24V 12W)	4					
2	42730071000	GUARD	4					
3	42736070100	SWITCH ASSY (WITH HARNESS)	1					
4	42736170010	PLATE,NAME	1					
26	82166136411	BULB,LAMP	4		24V/12W			

AT-142-3 42020322700 LOWER,MITSUBISHI KK-FE53EBX6K2

Pos No.	Parts No	Parts Name	Qty	Unit	Technical Data	Serial No (Start)	Serial No (End)	Remarks	Pages
1	90101208025	BOLT	4		M8X25				
2	90258800800	NUT,WING	4		M8				
3	90303070801	WASHER,PLAIN	4		8				
4	90302040801	WASHER,SPRING	4		8				

CLICK HERE TO **DOWNLOAD** THE COMPLETE MANUAL

- Thank you very much for reading the preview of the manual.
- You can download the complete manual from: www.heydownloads.com by clicking the link below



- Please note: If there is no response to CLICKING the link, please download this PDF first and then click on it.

CLICK HERE TO **DOWNLOAD** THE COMPLETE MANUAL