

**AT-142-3 42020341600 LOWER,ISUZU KC-NKR66E3N 5H**  
**PX1000647-01 MOUNTING PARTS**  
**ASSEMBLY**

CLICK HERE TO **DOWNLOAD** THE COMPLETE MANUAL

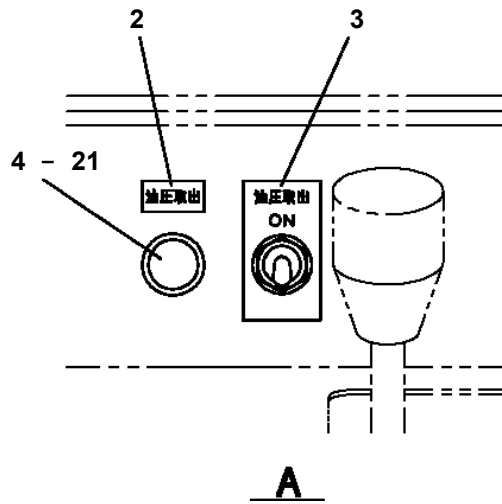
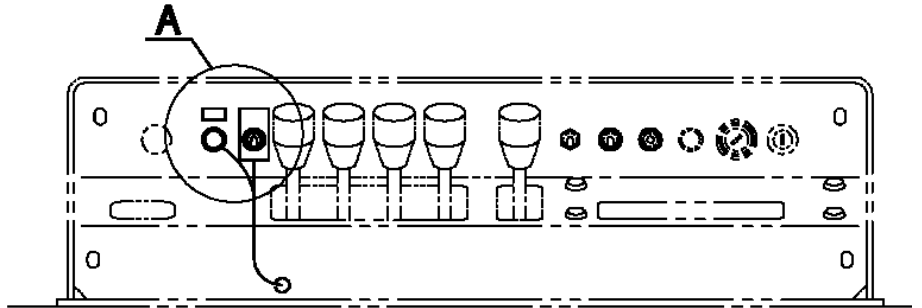
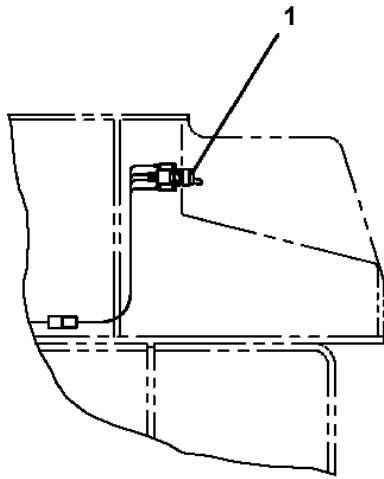
- Thank you very much for reading the preview of the manual.
- You can download the complete manual from: [www.heydownloads.com](http://www.heydownloads.com) by clicking the link below



- Please note: If there is no response to CLICKING the link, please download this PDF first and then click on it.

CLICK HERE TO **DOWNLOAD** THE COMPLETE MANUAL

AT-142-3 42020341600 LOWER,ISUZU KC-NKR66E3N 5H  
PB1380060-02 POWER SUPPLY (LOWER HYDRAULIC OUTLET SW)



**AT-142-3 42020341600 LOWER,ISUZU KC-NKR66E3N 5H**

Pos No.	Parts No	Parts Name	Qty	Unit	Technical Data	Serial No (Start)
98	80176803008	SCREW,MACHINE	8		M3X8	
99	82464102700	HINGE	2			
111	42736872100	SUPPORT	1			
112	90101210020	BOLT	4		M10X20	
113	90302041001	WASHER,SPRING	4		10	
131	91002801400	O-RING	1		1B P14	
141	91071011500	O-RING	1		Y22550-115-A	
142	91470000600	RING,BACKUP	1		Y22021-06	

# AT-142-3 42020341600 LOWER,ISUZU KC-NKR66E3N 5H

Pos No.	Parts No	Parts Name	Qty	Unit	Technical Data	Serial No (Start)	Serial No (End)	Remarks	Pages
1	90201202400	NUT	1		M24				
2	90302042401	WASHER,SPRING	1		24				
3	91684006000	PACKING	2						
4	91431205001	RING,BACKUP	2						
5	91002802100	O-RING	1		1B P21				
6	91302206000	BEARING,PLAIN	2						
7	36030590060	PISTON	1						
8	36034280011	ROD	1						
9	36034280101	CYLINDER	1						
10	91002905500	O-RING	1		1B G55				
11	91694004000	PACKING	1						
12	91410204001	RING,BACKUP	1						
13	91660004001	SEAL,DUST	1						
14	36032910030	COVER,ROD	1						
30	36034289901	PACKING SET	1		40X60				
50	36034280001	CYLINDER,JACK	1						

# AT-142-3 42020341600 LOWER,ISUZU KC-NKR66E3N 5H

Pos No.	Parts No	Parts Name	Qty	Unit	Technical Data	Serial No (Start)	Serial No (End)	Remarks	Pages
1	42960191300	HARNESS	1						000028
2	42960191400	HARNESS	1						000029
3	42960062650	SUPPORT	1						
4	91810130240	FASTENER	20						

# AT-142-3 42020341600 LOWER,ISUZU KC-NKR66E3N 5H

Pos No.	Parts No	Parts Name	Qty	Unit	Technical Data	Serial No (Start)	Serial No (End)	Remarks	Pages
100	42711650300	HARNESS	1						

# AT-142-3 42020341600 LOWER,ISUZU KC-NKR66E3N 5H

Pos No.	Parts No	Parts Name	Qty	Unit	Technical Data	Serial No (Start)	Serial No (End)	Remarks	Pages
100	42960191300	HARNESS	1						

# AT-142-3 42020341600 LOWER,ISUZU KC-NKR66E3N 5H

Pos No.	Parts No	Parts Name	Qty	Unit	Technical Data	Serial No (Start)	Serial No (End)	Remarks	Pages
3	16025153030	SPRING	1						
4	91000501500	O-RING	1		AS568-015				
5	91002802200	O-RING	1		1B P22				
6	91002801001	O-RING	1		1B P10A				
10	16025153020	SPRING	1						
14	91001001600	O-RING	2		1A S16				
30	36604750000	VALVE,RELIEF	1						

CLICK HERE TO **DOWNLOAD** THE COMPLETE MANUAL

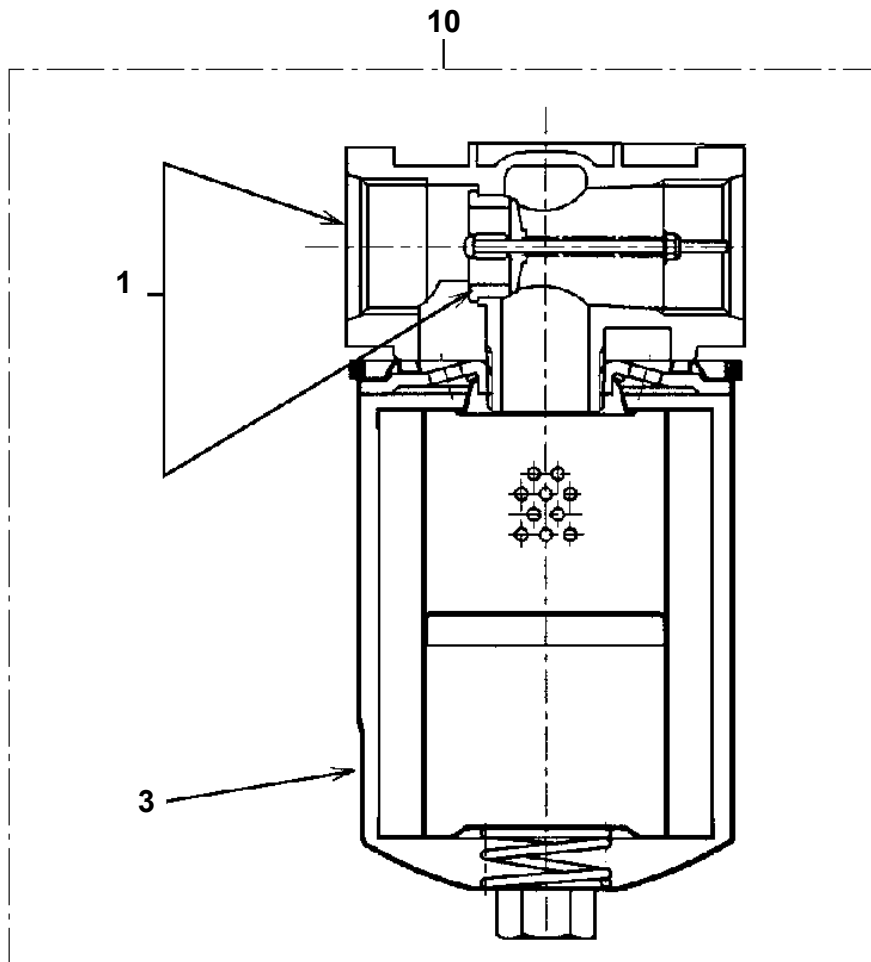
- Thank you very much for reading the preview of the manual.
- You can download the complete manual from: [www.heydownloads.com](http://www.heydownloads.com) by clicking the link below



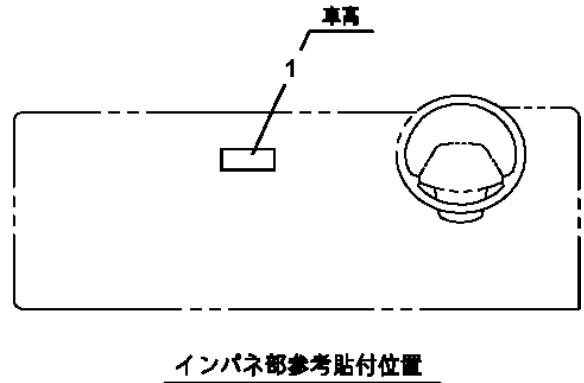
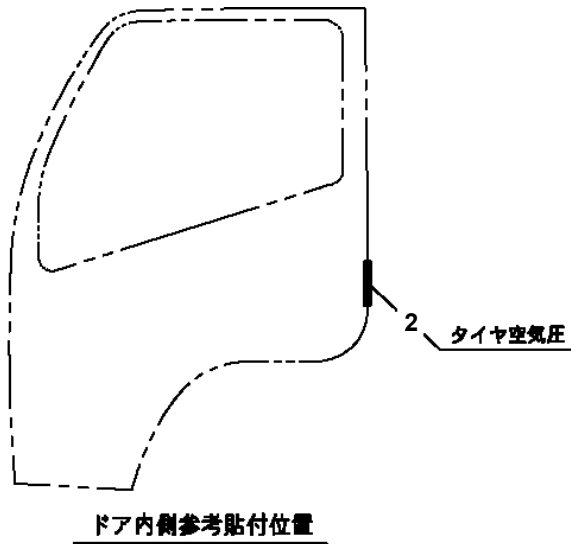
- Please note: If there is no response to CLICKING the link, please download this PDF first and then click on it.

CLICK HERE TO **DOWNLOAD** THE COMPLETE MANUAL

AT-142-3 42020341600 LOWER,ISUZU KC-NKR66E3N 5H  
PI1300033-00 FILTER,OIL



AT-142-3 42020341600 LOWER,ISUZU KC-NKR66E3N 5H  
 PO1011544-04 PLATE ASSY,NAME (VEHICLE HEIGHT 3.35M)



2

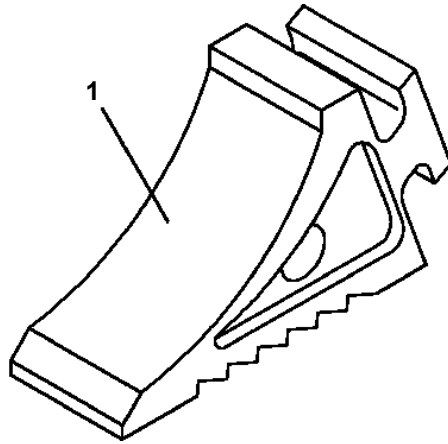
タイヤ空気圧 kPa (kgf/cm <sup>2</sup> )		
タイヤサイズ	前輪	後輪
195/85R16 114/112L	600 (6.00)	600 (6.00)
205/80R17.5 120/118L	600 (6.00)	600 (6.00)
205/85R16 117/115L	600 (6.00)	600 (6.00)
215/70R17.5 123/121J	775 (7.75)	775 (7.75)
215/85R16 120/118L	600 (6.00)	600 (6.00)
225/75R16 118/116L	600 (6.00)	600 (6.00)
225/85R16 121/119L	600 (6.00)	600 (6.00)
225/80R17.5 123/122L (14PRL)	700 (7.00)	700 (7.00)
7.00-16-12PRL	575 (5.75)	575 (5.75)
7.50-16-10PRL	525 (5.25)	525 (5.25)
7.50-16-12PRL	600 (6.00)	600 (6.00)
7.50-16-14PRL	650 (6.50)	650 (6.50)
7.50R16-12PRL	650 (6.50)	650 (6.50)
7.50R16-14PRL	700 (7.00)	700 (7.00)

○ 上記の空気圧を遵守してください。  
 370-022-24450

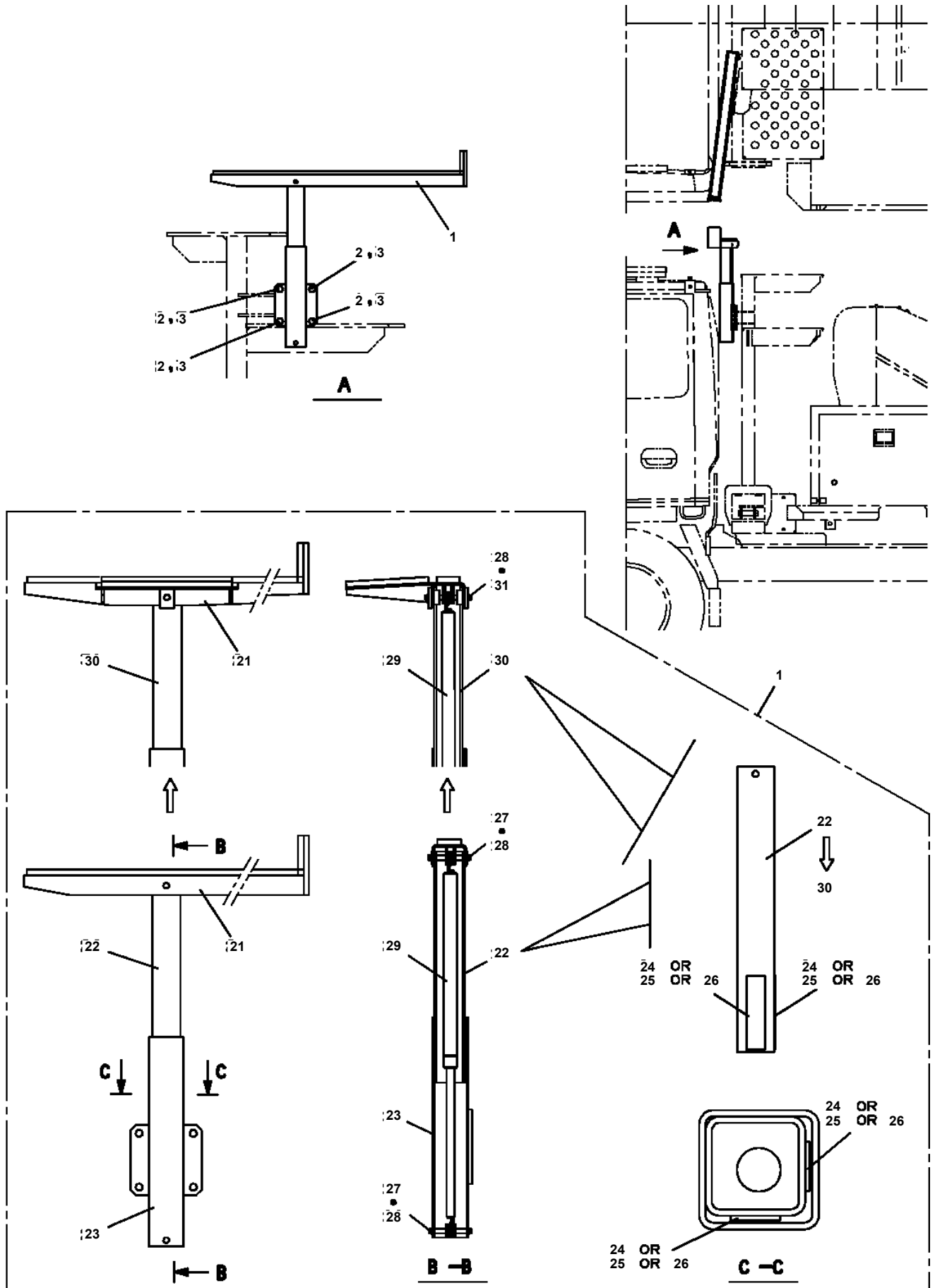
1

車高 3.35 m

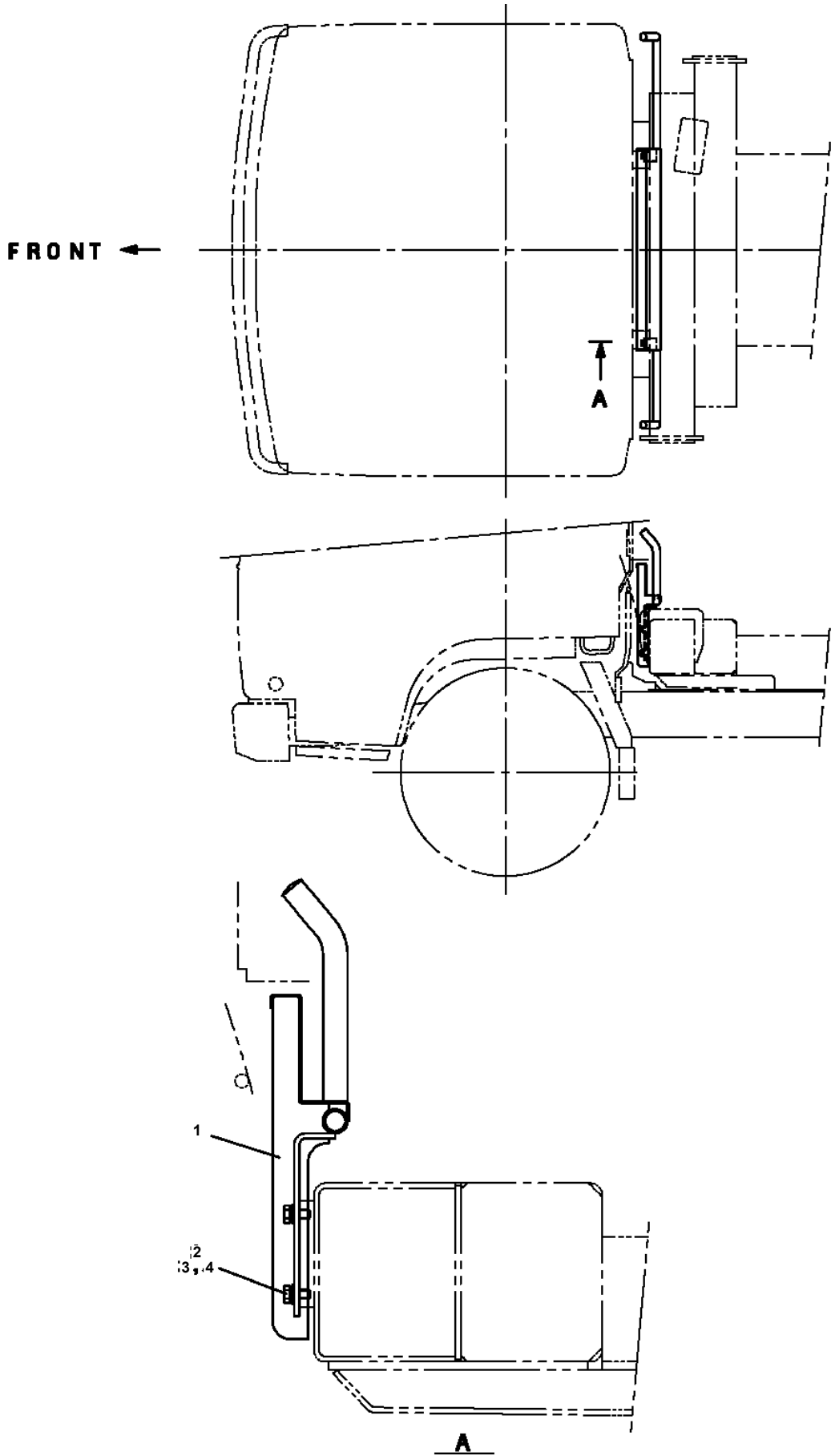
**AT-142-3 42020341600 LOWER,ISUZU KC-NKR66E3N 5H  
PW1050018-01 WEDGE (STOPPER FOR TIRE/JUSTIN)**



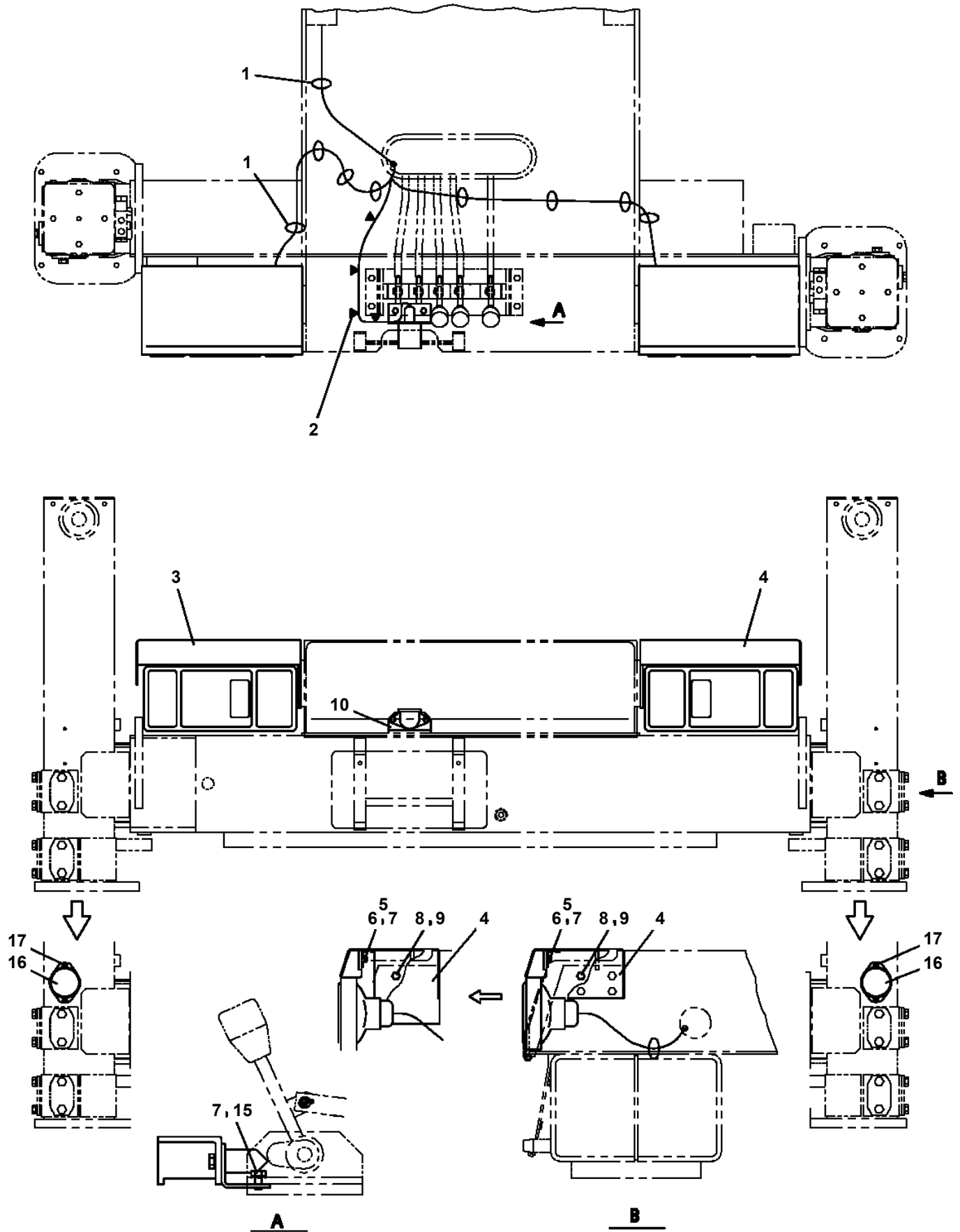
# AT-142-3 42020341600 LOWER, ISUZU KC-NKR66E3N 5H PX1130008-01 BUCKET REST INSTALLATION



AT-142-3 42020341600 LOWER, ISUZU KC-NKR66E3N 5H  
PX1250158-00 COVER INSTALLATION



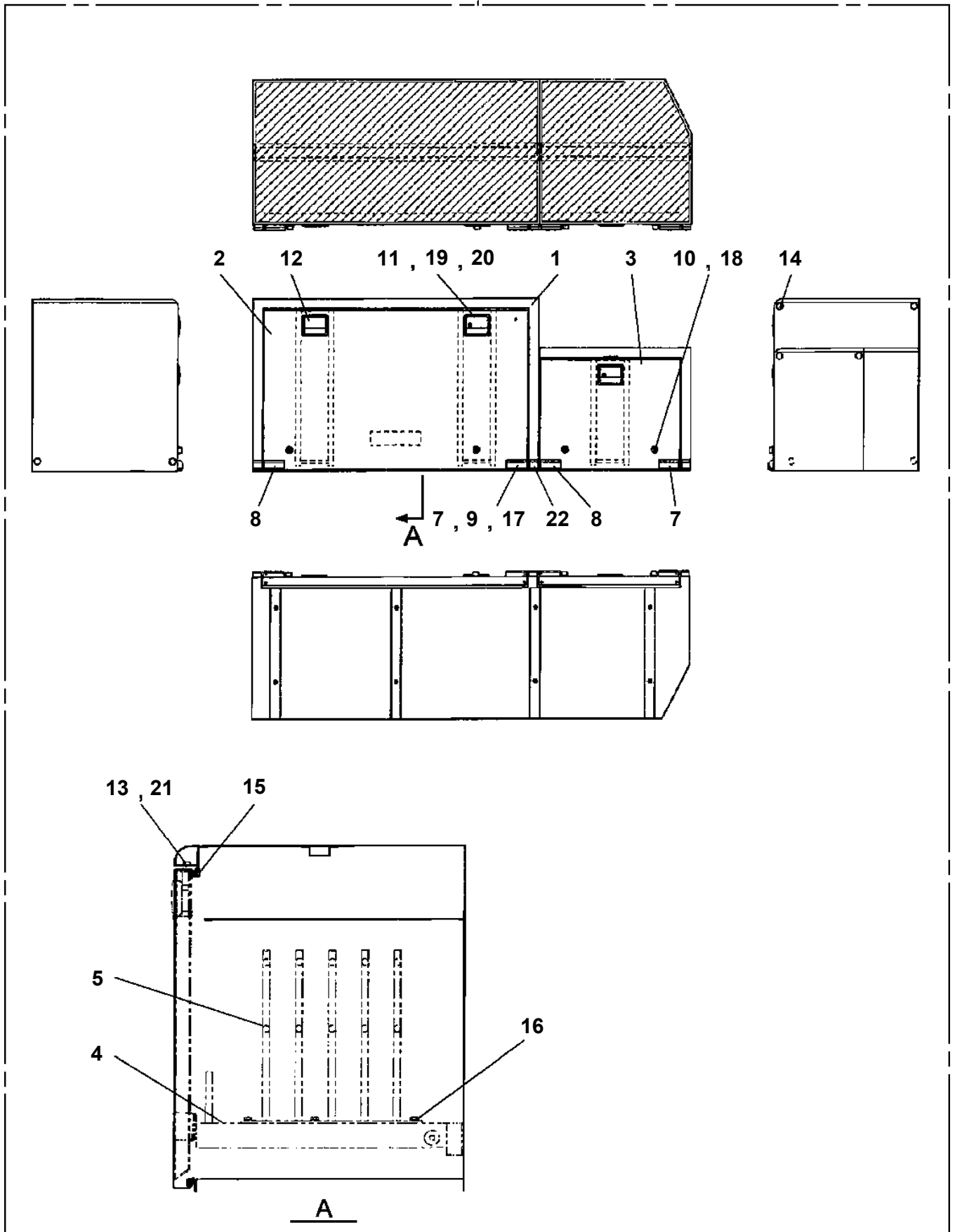
**AT-142-3 42020341600 LOWER,ISUZU KC-NKR66E3N 5H  
PX1310023-03 MOUNT,LAMP (TAIL)**



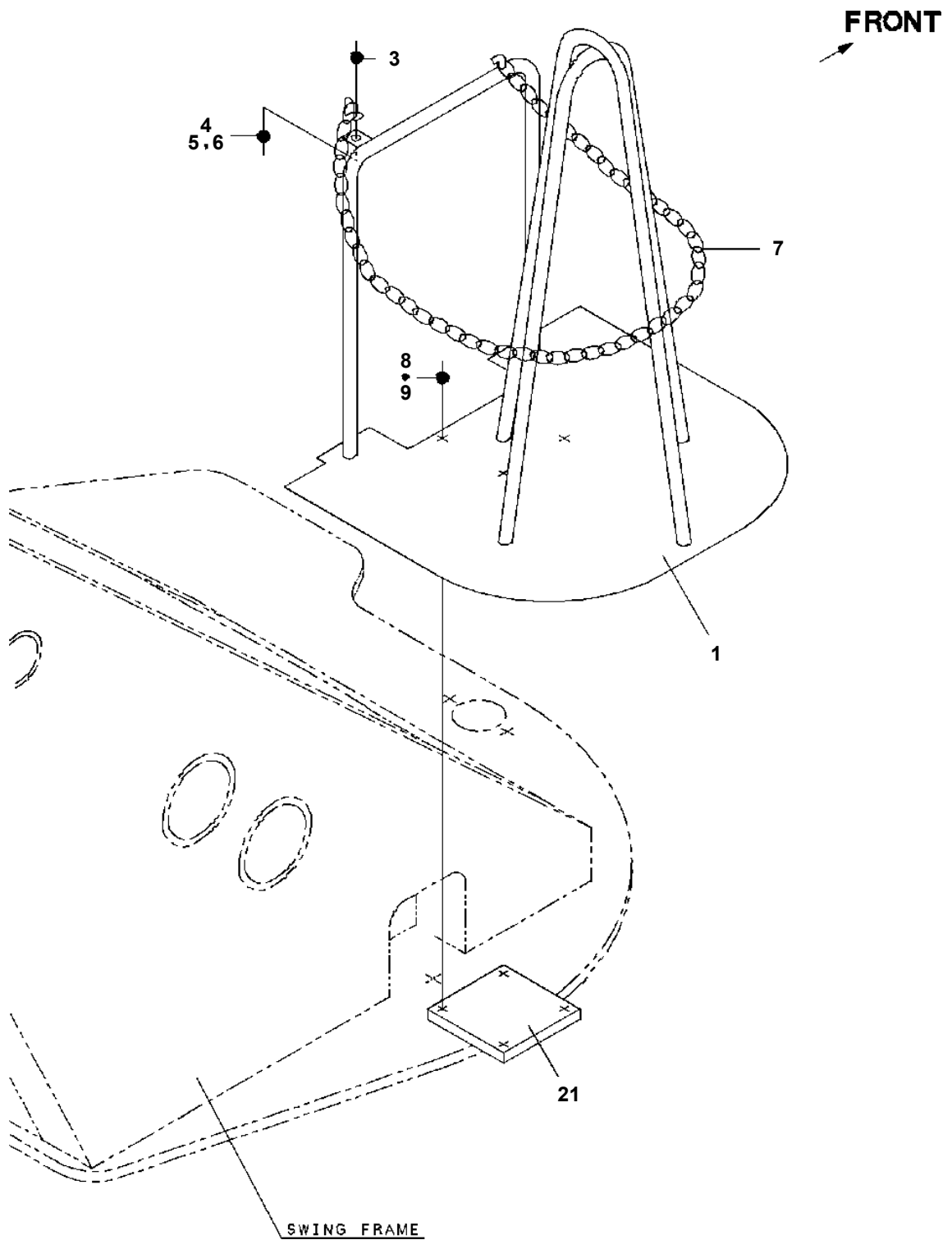
IF THE CABLE LENGTH IS NOT ENOUGH,USE 11,12,13,14

AT-142-3 42020341600 LOWER,ISUZU KC-NKR66E3N 5H  
PX1350420-01 BOX,TOOL

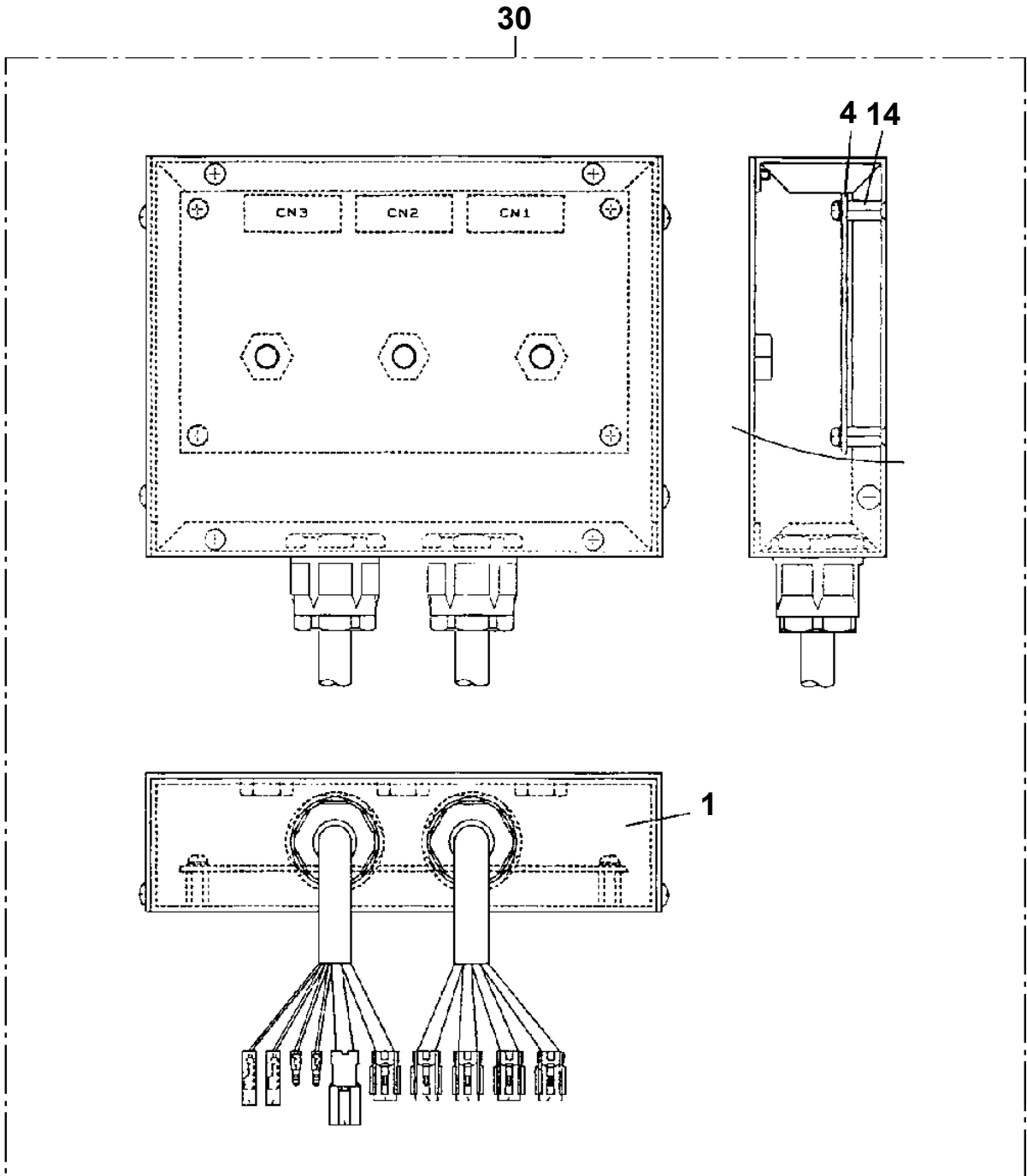
100



AT-142-3 42020341600 LOWER,ISUZU KC-NKR66E3N 5H  
PX1620018-00 MOUNT,COLOR CONE SUPPORT



AT-142-3 42020341600 LOWER,ISUZU KC-NKR66E3N 5H  
PY1240016-00 CONTROL UNIT (BOOSTER)



CLICK HERE TO **DOWNLOAD** THE COMPLETE MANUAL

- Thank you very much for reading the preview of the manual.
- You can download the complete manual from: [www.heydownloads.com](http://www.heydownloads.com) by clicking the link below



- Please note: If there is no response to CLICKING the link, please download this PDF first and then click on it.

CLICK HERE TO **DOWNLOAD** THE COMPLETE MANUAL