

**AT-141-1 42043143800 LOWER,ISUZU U-NPR66GYN5NZY**

PB3000041-00 POWER UNIT  
PO1000149-00 INDICATION PLATES  
PX2000324-00 CARRIER UNIT  
PX3000246-00 MOUNTING UNIT  
PY1000883-00 OPTIONS  
ASSEMBLY

CLICK HERE TO **DOWNLOAD** THE COMPLETE MANUAL

- Thank you very much for reading the preview of the manual.
- You can download the complete manual from: [www.heydownloads.com](http://www.heydownloads.com) by clicking the link below



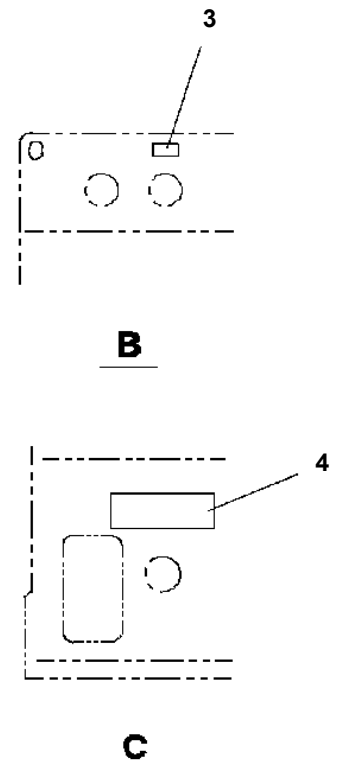
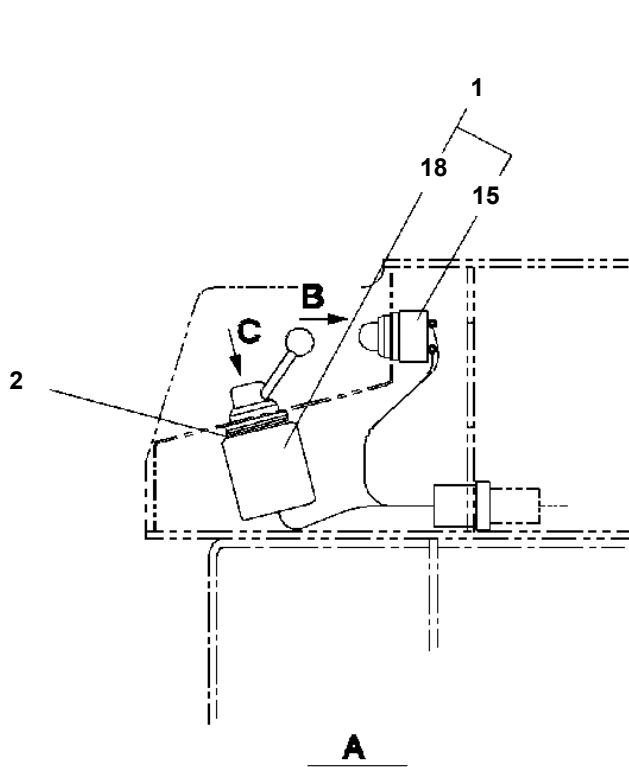
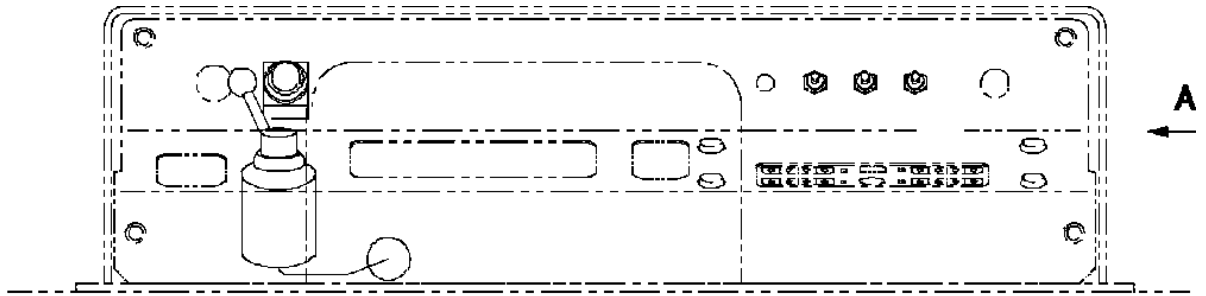
- Please note: If there is no response to CLICKING the link, please download this PDF first and then click on it.

CLICK HERE TO **DOWNLOAD** THE COMPLETE MANUAL

# AT-141-1 42043143800 LOWER,ISUZU U-NPR66GYN5NZY

Pos No.	Parts No	Parts Name	Qty	Unit	Technical Data	Serial No (Start)	Serial No (
2	(*****)	POWER SUPPLY (24V/POWER SOURCE)	1				
3	(*****)	POWER SUPPLY (LOWER HYD.OUTLET/13L)	1				
4	(*****)	EARTHING DEVICE	1				
11	(*****)	LAMP (FLICKER)	1				

**AT-141-1 42043143800 LOWER,ISUZU U-NPR66GYN5NZY  
PB1380028-01 POWER SUPPLY (LOWER HYDRAULIC OUTLET SW)**



# AT-141-1 42043143800 LOWER,ISUZU U-NPR66GYN5NZY

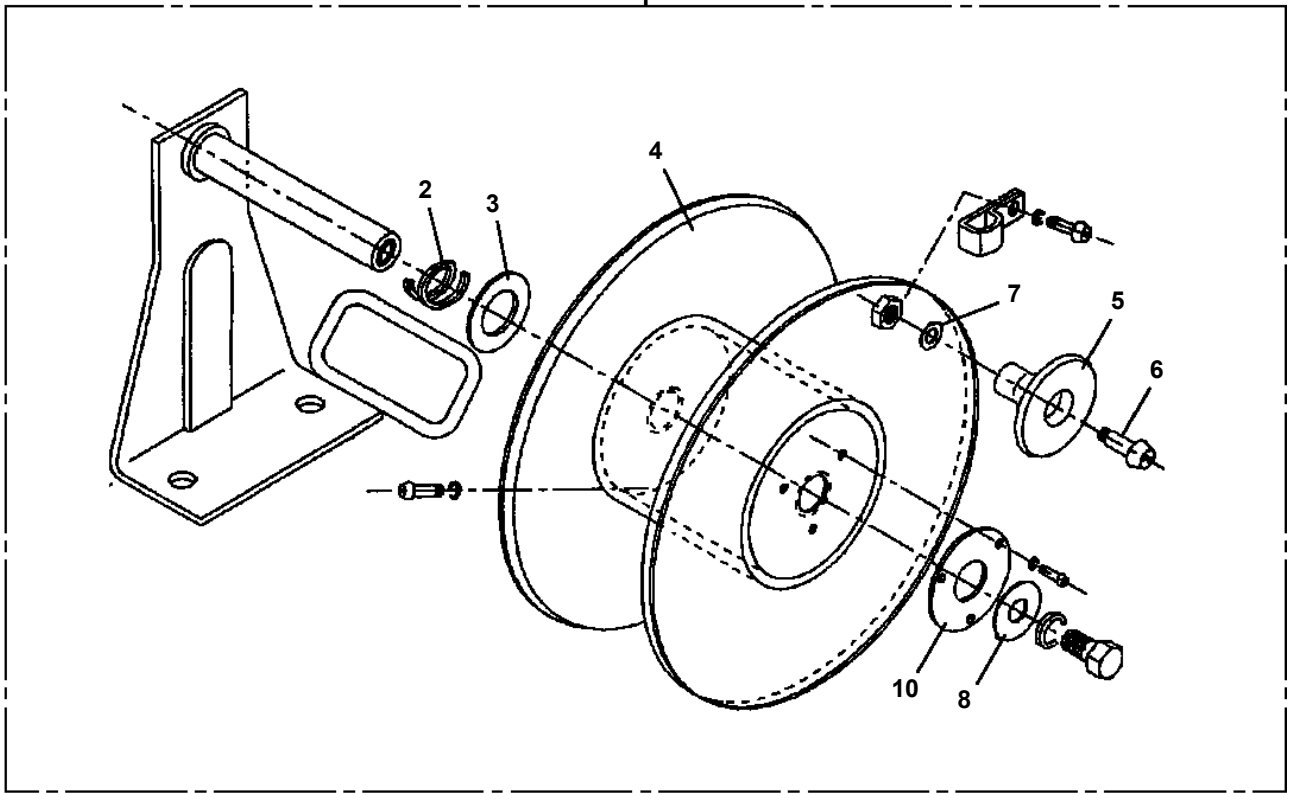
Pos No.	Parts No	Parts Name	Qty	Unit	Technical Data	Serial No (Start)	Serial No (End)
1	(*****)	POWER SUPPLY (LOWER HYDRAULIC OUTLET SW)	1				
2	(*****)	POWER SUPPLY (LOWER HYD.OUTLET PIPING)	1				
3	(*****)	POWER SUPPLY (LOWER HYDRAULIC OUTLET)	1				
4	(*****)	POWER SUPPLY (LOWER HYD.OUTLET PIPING)	1				

**AT-141-1 42043143800 LOWER,ISUZU U-NPR66GYN5NZY**

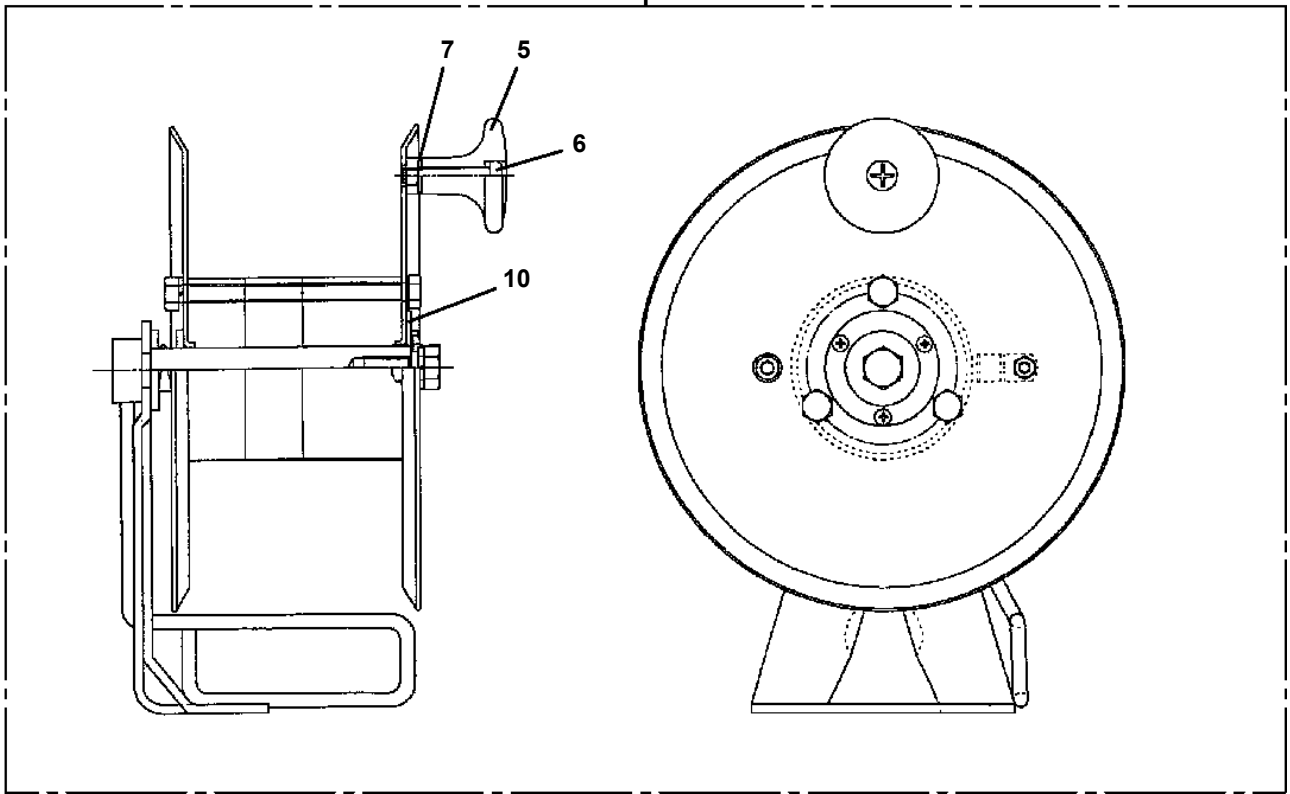
Pos No.	Parts No	Parts Name	Qty	Unit	Technical Data	Serial No (Start)	Serial No (End)	Remarks
3	36610445010	SPRING	1					
4	36610705010	SPRING	1					
7	36610445030	PLATE	1					
8	36610445040	NUT	1					
9	36610445050	SCREW,SET	1					
10	91001101800	O-RING	1		1A P18			
11	36610445060	PLUG	1					
12	36610445070	PLUG	1					
13	91002802400	O-RING	1		1B P24			
14	36610445080	WASHER,SPRING	5					
15	36610445090	BOLT	4					
16	91001101200	O-RING	1		1A P12			
30	36610700000	VALVE,FLOW CONTROL	1					

AT-141-1 42043143800 LOWER,ISUZU U-NPR66GYN5NZY  
PN1350029-01 REEL,CORD (FOR EARTHING)

50

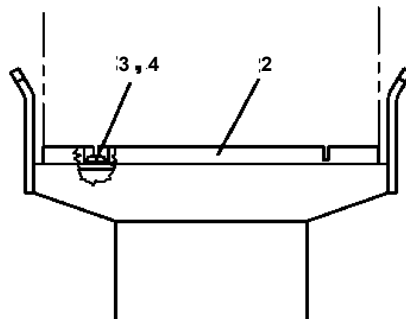
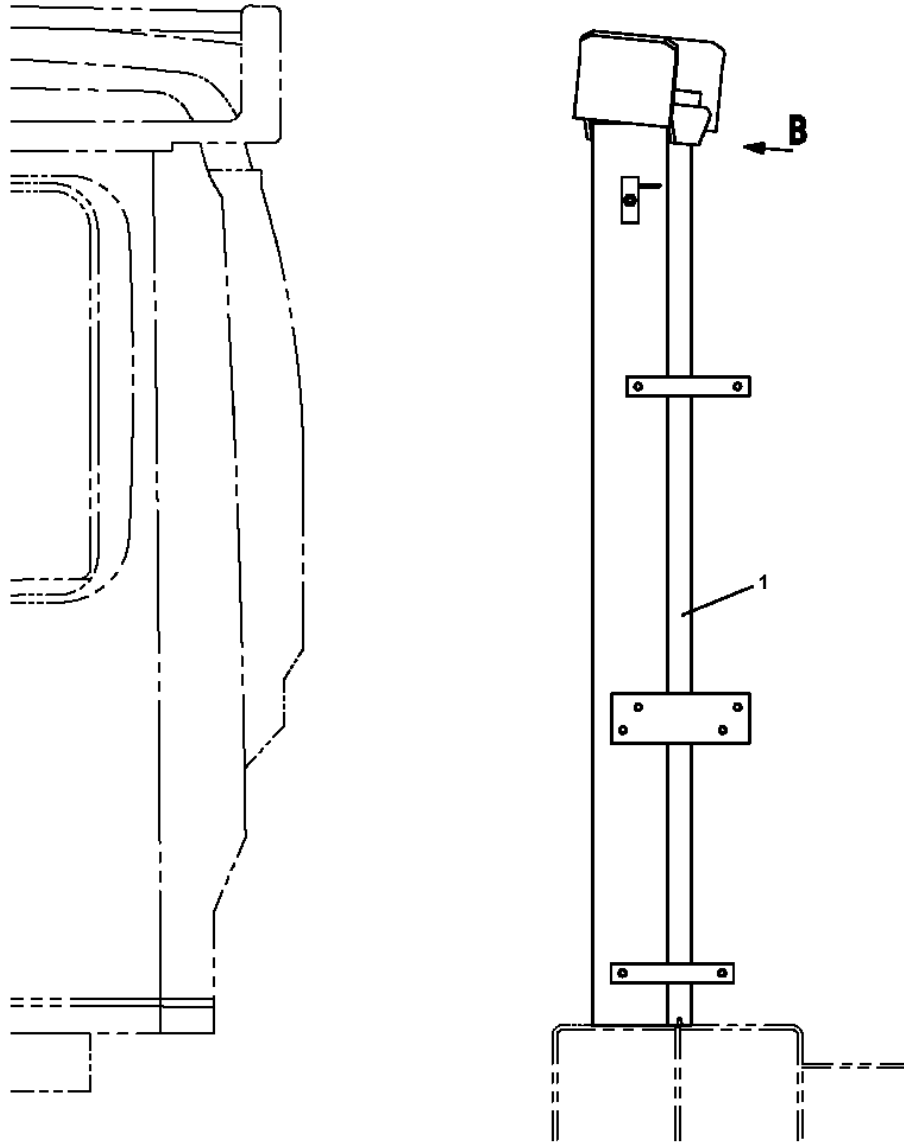


50



AT-141-1 42043143800 LOWER, ISUZU U-NPR66GYN5NZY  
PX1120514-00 BOOM REST

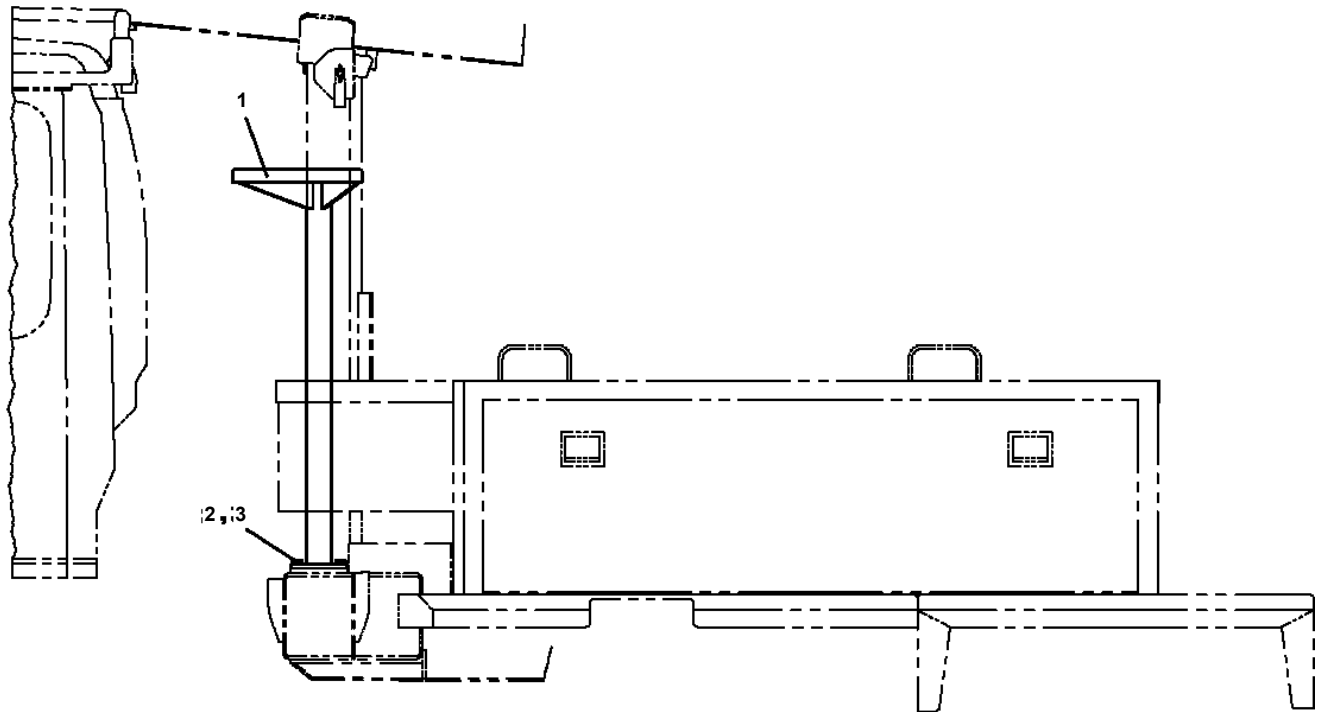
FRONT ←



**B**

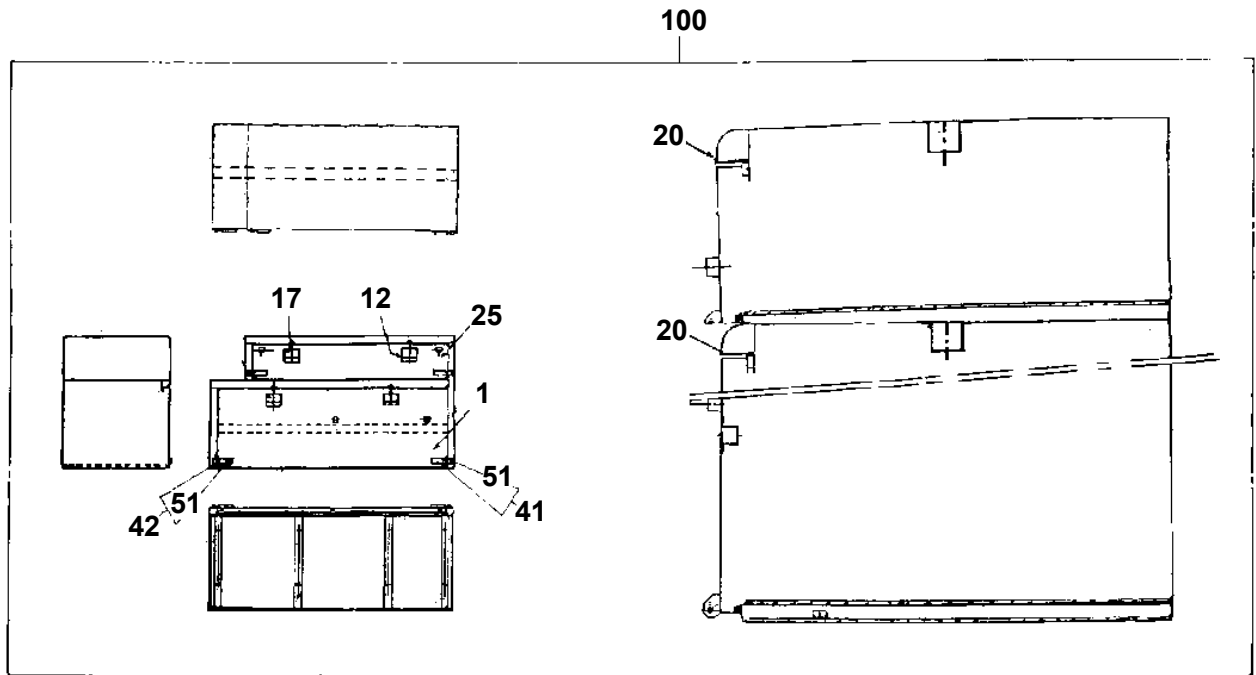
AT-141-1 42043143800 LOWER, ISUZU U-NPR66GYN5NZY  
PX1260223-00 STEP

FRONT ←



AT-141-1 42043143800 LOWER,ISUZU U-NPR66GYN5NZY  
PX1350298-00 BOX,TOOL

Assembly Name BOX, TOOL



CLICK HERE TO **DOWNLOAD** THE COMPLETE MANUAL

- Thank you very much for reading the preview of the manual.
- You can download the complete manual from: [www.heydownloads.com](http://www.heydownloads.com) by clicking the link below



- Please note: If there is no response to CLICKING the link, please download this PDF first and then click on it.

CLICK HERE TO **DOWNLOAD** THE COMPLETE MANUAL