

**AT-141-1 42043143300 LOWER,ISUZU NKR66E2N**

PB3000040-00 POWER UNIT  
PO1000149-00 INDICATION PLATES  
PX2001306-00 CARRIER UNIT  
PX3000730-00 MOUNTING UNIT  
PY1000890-00 OPTIONS  
ASSEMBLY

CLICK HERE TO **DOWNLOAD** THE COMPLETE MANUAL

- Thank you very much for reading the preview of the manual.
- You can download the complete manual from: [www.heydownloads.com](http://www.heydownloads.com) by clicking the link below



- Please note: If there is no response to CLICKING the link, please download this PDF first and then click on it.

CLICK HERE TO **DOWNLOAD** THE COMPLETE MANUAL

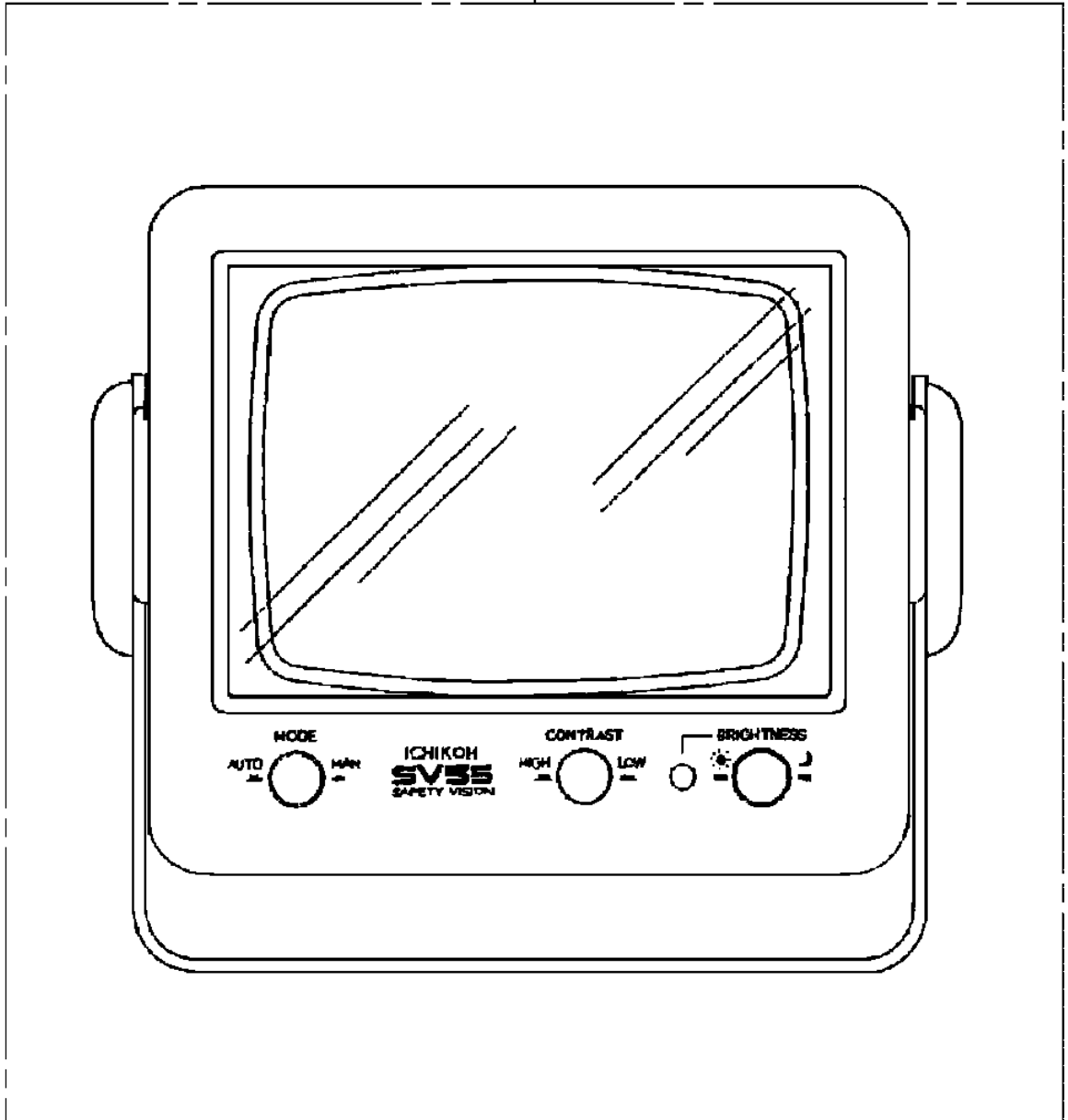
# AT-141-1 42043143300 LOWER,ISUZU NKR66E2N

Pos No.	Parts No	Parts Name	Qty	Unit	Technical Data	Serial No (Start)	Serial No (End)	Remarks	Pages
1	(*****)	LAMP	1						000035

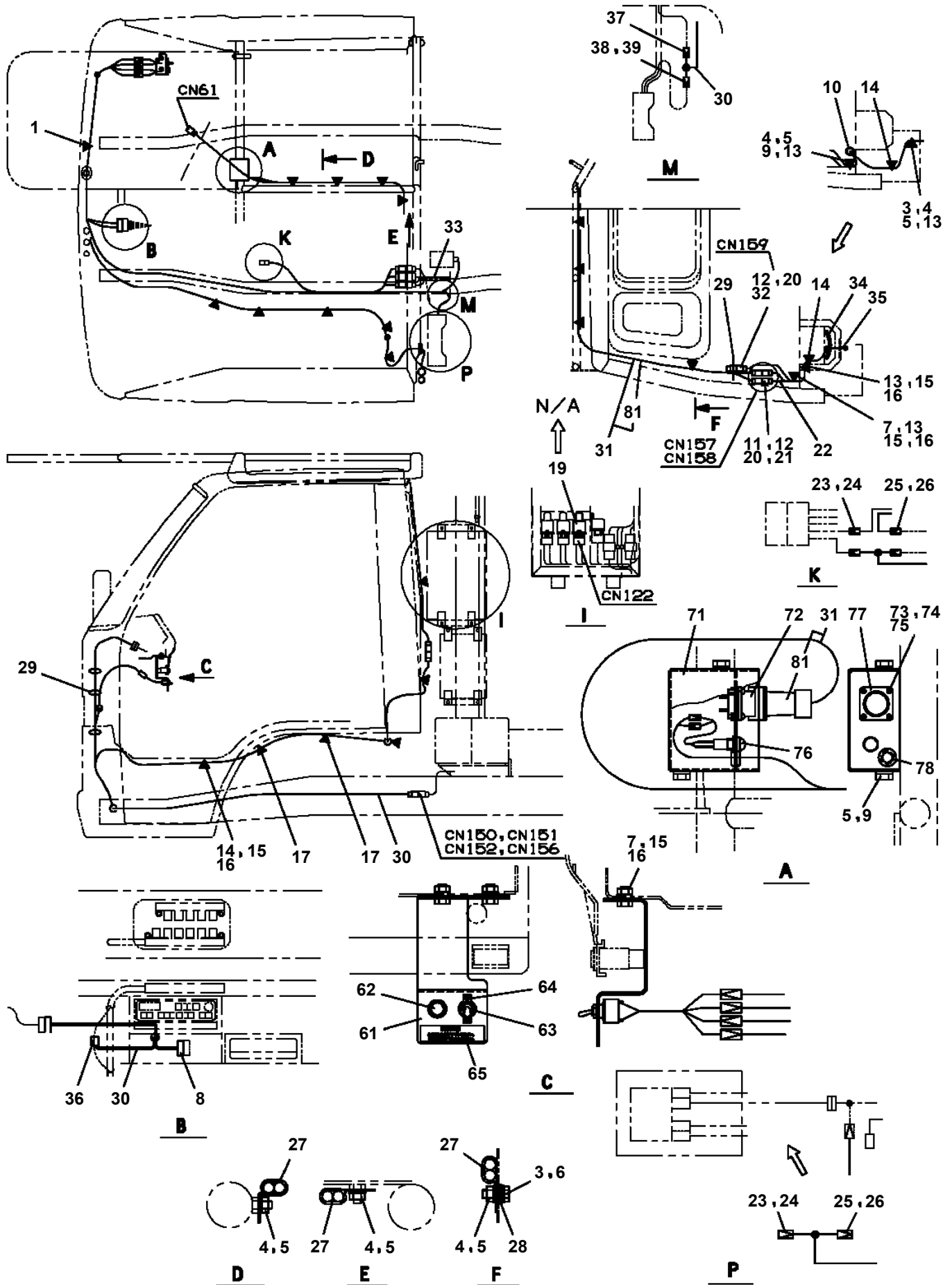


AT-141-1 42043143300 LOWER, ISUZU NKR66E2N  
PH1710008-01 DISPLAY (MONITOR)

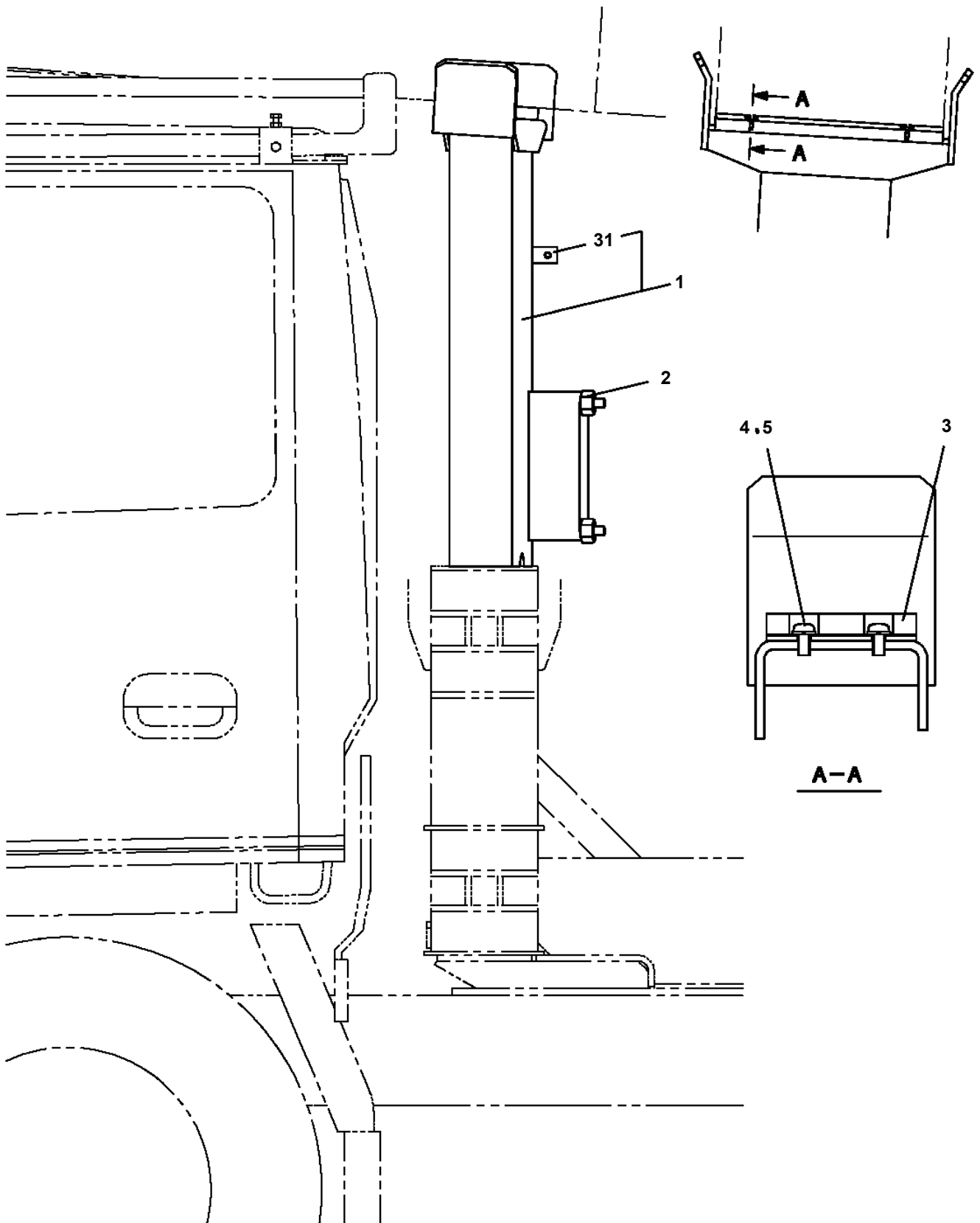
50



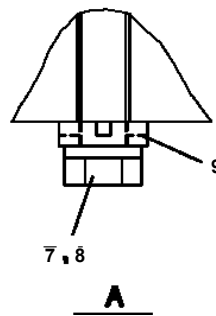
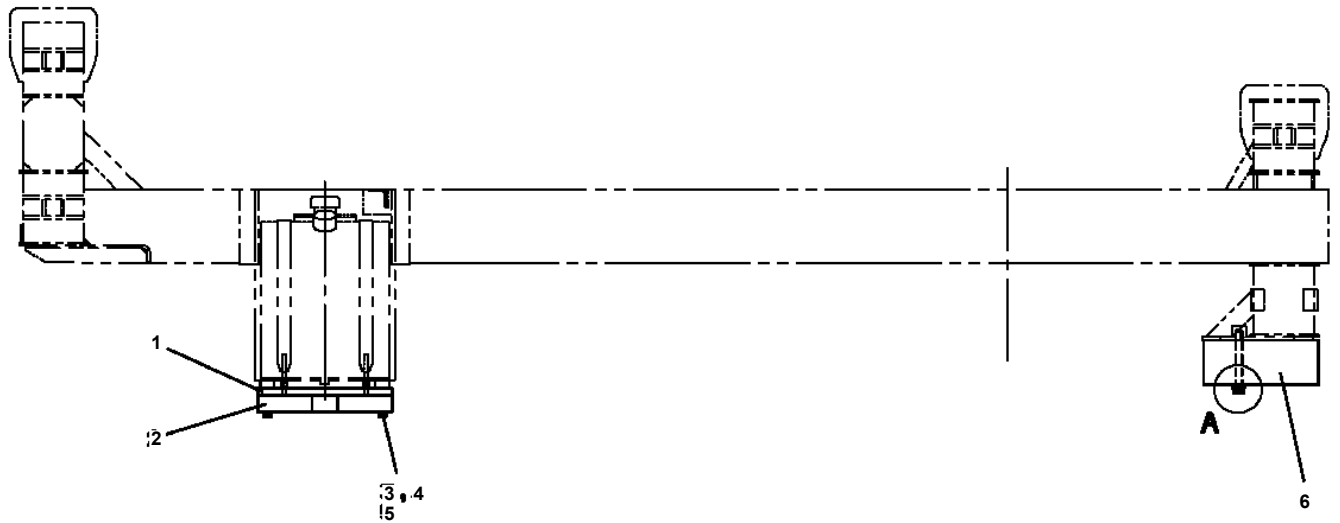
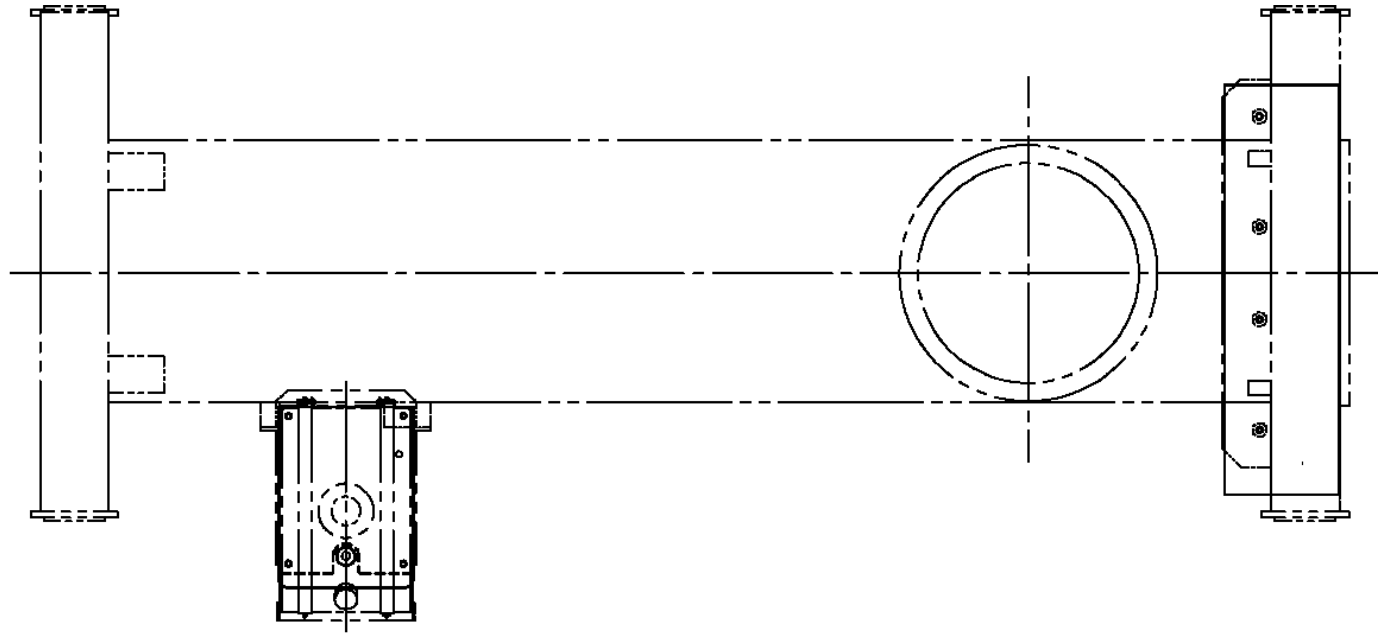
**AT-141-1 42043143300 LOWER,ISUZU NKR66E2N  
PN1011560-01 ELECTRICAL ACCESSORIES**



**AT-141-1 42043143300 LOWER, ISUZU NKR66E2N  
PX1120258-01 BOOM REST INSTALLATION**



AT-141-1 42043143300 LOWER, ISUZU NKR66E2N  
PX1290207-00 WEIGHT INSTALLATION



CLICK HERE TO **DOWNLOAD** THE COMPLETE MANUAL

- Thank you very much for reading the preview of the manual.
- You can download the complete manual from: [www.heydownloads.com](http://www.heydownloads.com) by clicking the link below



- Please note: If there is no response to CLICKING the link, please download this PDF first and then click on it.

CLICK HERE TO **DOWNLOAD** THE COMPLETE MANUAL