

**AT-141-1 42043142400 LOWER,ISUZU NKR66E5N**

PB3000294-00 POWER UNIT  
PO1000149-00 INDICATION PLATES  
PX2001298-00 CARRIER UNIT  
PX3000234-00 MOUNTING UNIT  
PY1001574-00 OPTIONS  
ASSEMBLY

CLICK HERE TO **DOWNLOAD** THE COMPLETE MANUAL

- Thank you very much for reading the preview of the manual.
- You can download the complete manual from: [www.heydownloads.com](http://www.heydownloads.com) by clicking the link below



- Please note: If there is no response to CLICKING the link, please download this PDF first and then click on it.

CLICK HERE TO **DOWNLOAD** THE COMPLETE MANUAL

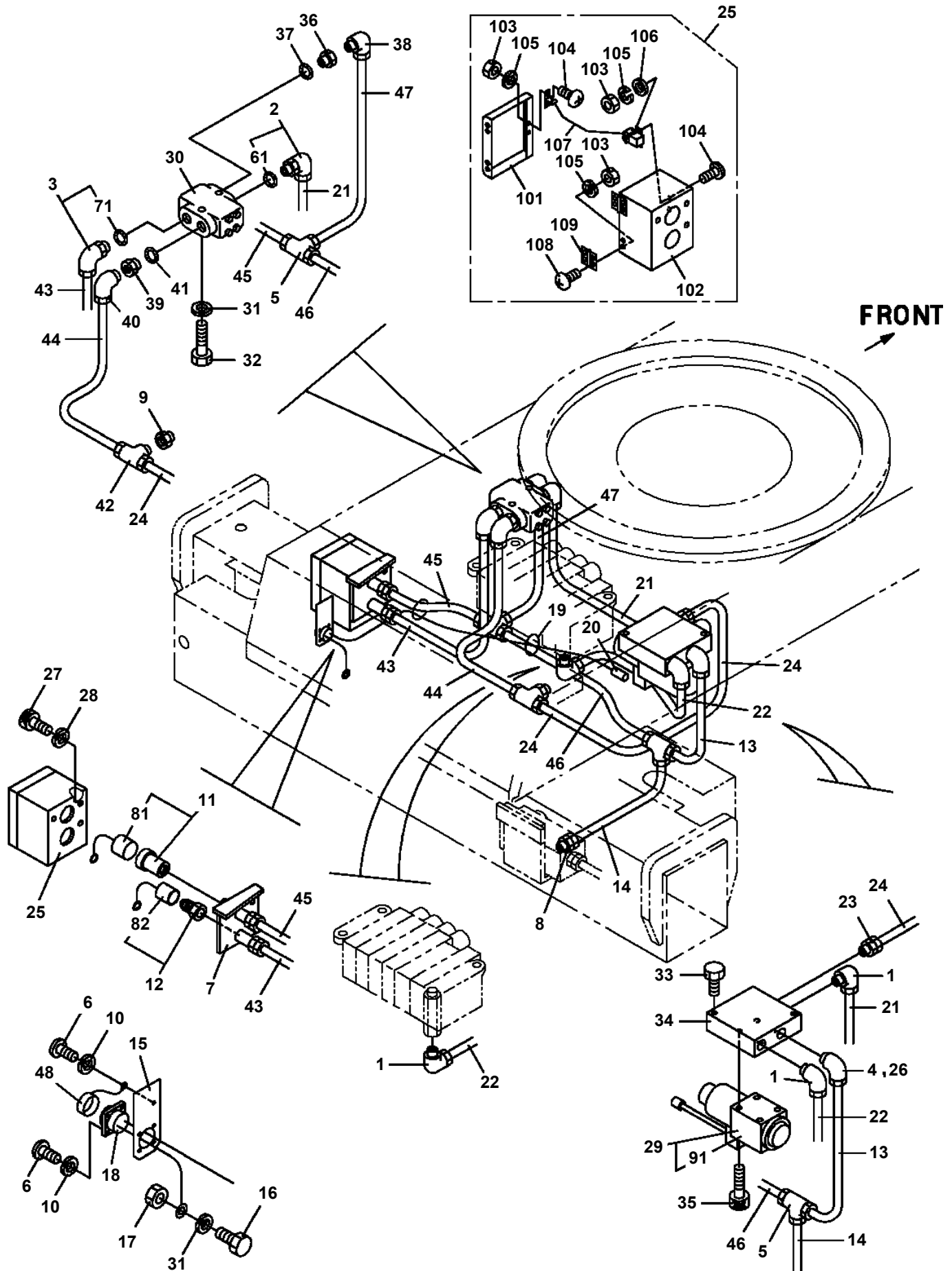
# AT-141-1 42043142400 LOWER,ISUZU NKR66E5N

Pos No.	Parts No	Parts Name	Qty	Unit	Technical Data	Serial No (Start)
1	(*****)	BOX,TOOL (BOOM LEFT SIDE)	1			
2	(*****)	POWER SUPPLY (24V/POWER SOURCE)	1			
3	(*****)	HOUR METER	1			
4	(*****)	POWER SUPPLY (LOWER HYD.OUTLET/13L)	1			
5	(*****)	POWER SUPPLY (LOWER HYD.OUTLET/BOOS&13L)	1			
6	(*****)	BOOSTER	1			
11	(*****)	LAMP (FLICKER)	1			
33	(*****)	EARTHING DEVICE	1			
34	(*****)	PIPING,RELIEF	1			
35	(*****)	REFLECTOR (REAR WEIGHT)	1			
36	(*****)	LAMP (BOOM)	1			
37	(*****)	WOOD BLOCK (W=350,H=80)	4			
	42731680000	WOOD BLOCK (WITH RUBBER,T=80)	4			
45	(*****)	LAMP	1			
46	(*****)	INTERLOCK	1			

# AT-141-1 42043142400 LOWER,ISUZU NKR66E5N

Pos No.	Parts No	Parts Name	Qty	Unit	Technical Data	Serial No (Start)	Serial No (End)	Remarks	Page
1	37002505610	HOSE	1		L=900				
2	37000803530	JOINT	1						
3	91803600160	CLIP	8		D=11-16				
4	37000803300	JOINT	1						
5	91803600120	CLIP	2		D=9.5-12				
6	34880230750	HOSE	1						
7	37000913140	JOINT	1						
8	37002502790	HOSE	1		L=1120				
9	37000911190	JOINT	1						
10	82100002039	CLAMP	1						
11	90101206016	BOLT	2		M6X16				
12	90302040601	WASHER,SPRING	2		6				
13	42820500200	PUMP,FUEL	1						
14	90302040801	WASHER,SPRING	2		8				
15	90201200800	NUT	1		M8				
16	91810130230	FASTENER	5						
17	82100002040	CLAMP	1		WE15				
18	90101208012	BOLT	1		M8X12				
41	42820507680	FILTER (REPAIR KIT)	1						

**AT-141-1 42043142400 LOWER,ISUZU NKR66E5N  
PB1380029-02 POWER SUPPLY (LOWER HYD.OUTLET PIPING)**



**AT-141-1 42043142400 LOWER,ISUZU NKR66E5N**

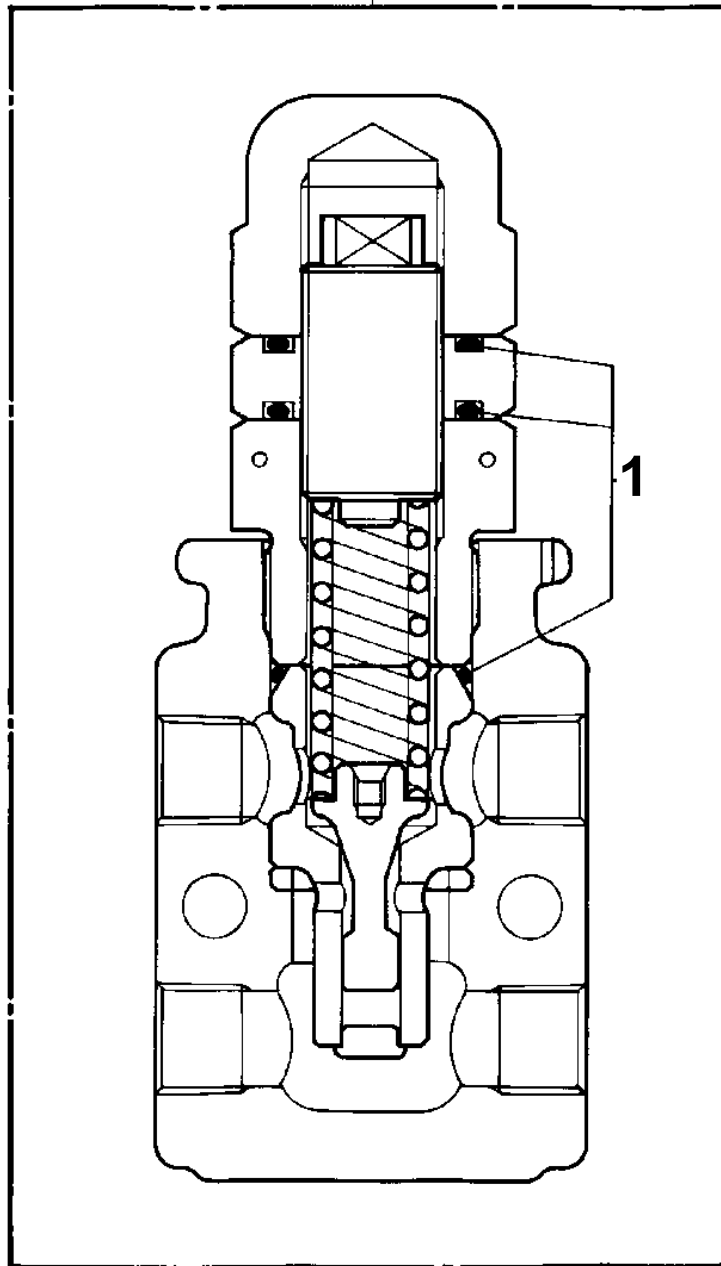
Pos No.	Parts No	Parts Name	Qty	Unit	Technical Data	Serial No (Start)	Serial No (End)	Remarks	Pages
1	42893870100	PIPE	1				226221		
2	42893870200	COVER	1				226221		
3	90101208012	BOLT	2		M8X12	226222			
4	90302040801	WASHER,SPRING	6		8	226222			
5	90101208020	BOLT	4		M8X20	226222			
6	90303070801	WASHER,PLAIN	2		8	226435			
11	42893870300	PIPE	1			226222	226988		
12	42893870400	COVER	1			226222			
17	42894110100	PIPE	1			226989			

# AT-141-1 42043142400 LOWER,ISUZU NKR66E5N

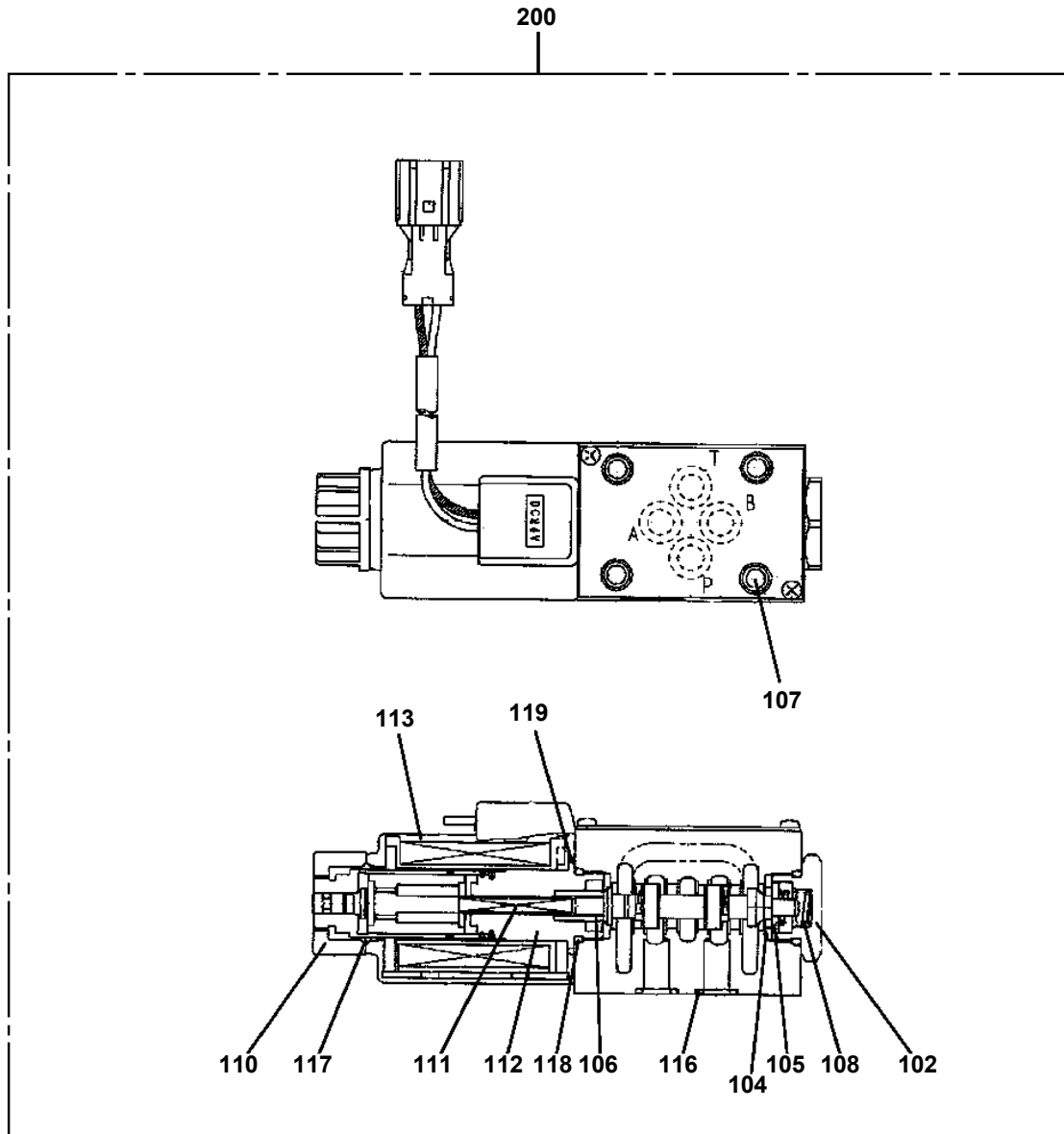
Pos No.	Parts No	Parts Name	Qty	Unit	Technical Data	Serial No (Start)	Serial No (End)
1	37000711090	CLAMP ASSY	1		18X2		
2	42643051000	SWITCH ASSY (THERMO)	1				
3	37000300740	SLEEVE	1		18-12		
4	91803600550	CLIP	8		D=40-55		
5	42641740200	JOINT	1				
6	80400160129	JOINT	1				
7	91002801400	O-RING	1		1B P14		
8	37002440960	HOSE	1		L=930		226221
	37002416120	HOSE	1		L=900	226222	
9	37002439460	HOSE	1		L=500		
10	80430420850	JOINT	1				
11	36621670000	VALVE,CHECK	2				
12	42641740100	JOINT	1				
13	80307010160	FITTING	1		KSA18-040N		
14	80302010230	FITTING	3		KCT18-030N		
15	42643041000	VALVE,SOLENOID (WITH CONNECTOR)	1				
16	81408000241	PIPE,STEEL	1	M	18X1.9T		
17	90302040801	WASHER,SPRING	16		8		
18	81408000241	PIPE,STEEL	1	M	18X1.9T		
19	80303030230	FITTING,ELBOW	1				
20	36670100000	FILTER,OIL (YAMASHIN)	1				
21	37002504400	HOSE	1		L=600		
22	81408000160	PIPE,STEEL	1	M	12X1.4T		
23	81408000241	PIPE,STEEL	1	M	18X1.9T		
24	37002454070	HOSE	1		L=1050		226221
	37002403520	HOSE	1		L=1000	226222	
25	80400160131	JOINT	1				
26	80320030080	FITTING,ELBOW	1		KLE12-030N		
27	80320030140	FITTING,ELBOW	1		KLE18-040N		
28	42641970500	JOINT	1				
29	90101208060	BOLT	2		M8X60		
30	42640010130	FITTING,FLANGE	1				
31	91002904500	O-RING	2		1B G45		
32	90101208016	BOLT	13		M8X16		
33	37002511160	HOSE	1		L=460		
34	91803600250	CLIP	4		D=18-25		
35	37002508880	HOSE	1		L=375		
36	91803600400	CLIP	4		D=27-40		
37	91002801800	O-RING	1		1B P18		
38	91803600500	CLIP	4		D=35-50		
39	37000601600	CLAMP	1		WR54		
40	42641970400	FITTING,FLANGE	1				
41	91002903000	O-RING	2		1B G30		
42	42641970100	FITTING,FLANGE	1				
43	90201200800	NUT	2		M8		
44	90101210025	BOLT	9		M10X25		
45	90302041001	WASHER,SPRING	9		10		
46	42641970200	FITTING,FLANGE	1				
47	37002509750	HOSE	1		L=700		
48	82100002010	CLAMP	1		WR15		
49	82100002015	CLAMP	1		WRC20		
50	42641970300	JOINT	1				
51	37000551620	PLATE	1				
52	37002508890	HOSE	1		L=470		
53	82100001412	TUBE,SPIRAL	1	M	SE-12BK		
54	37000600520	CLAMP	1		R=22		
55	90201201000	NUT	1		M10		
56	90303071001	WASHER,PLAIN	1		10		
57	42643750010	SUPPORT	1				
58	42641970800	JOINT	1				
59	90201200600	NUT	1		M6	226222	
60	90302040601	WASHER,SPRING	1		6	226222	
61	82100002014	CLAMP	1		WR20	226222	

AT-141-1 42043142400 LOWER,ISUZU NKR66E5N  
PI1100012-01 VALVE,RELIEF

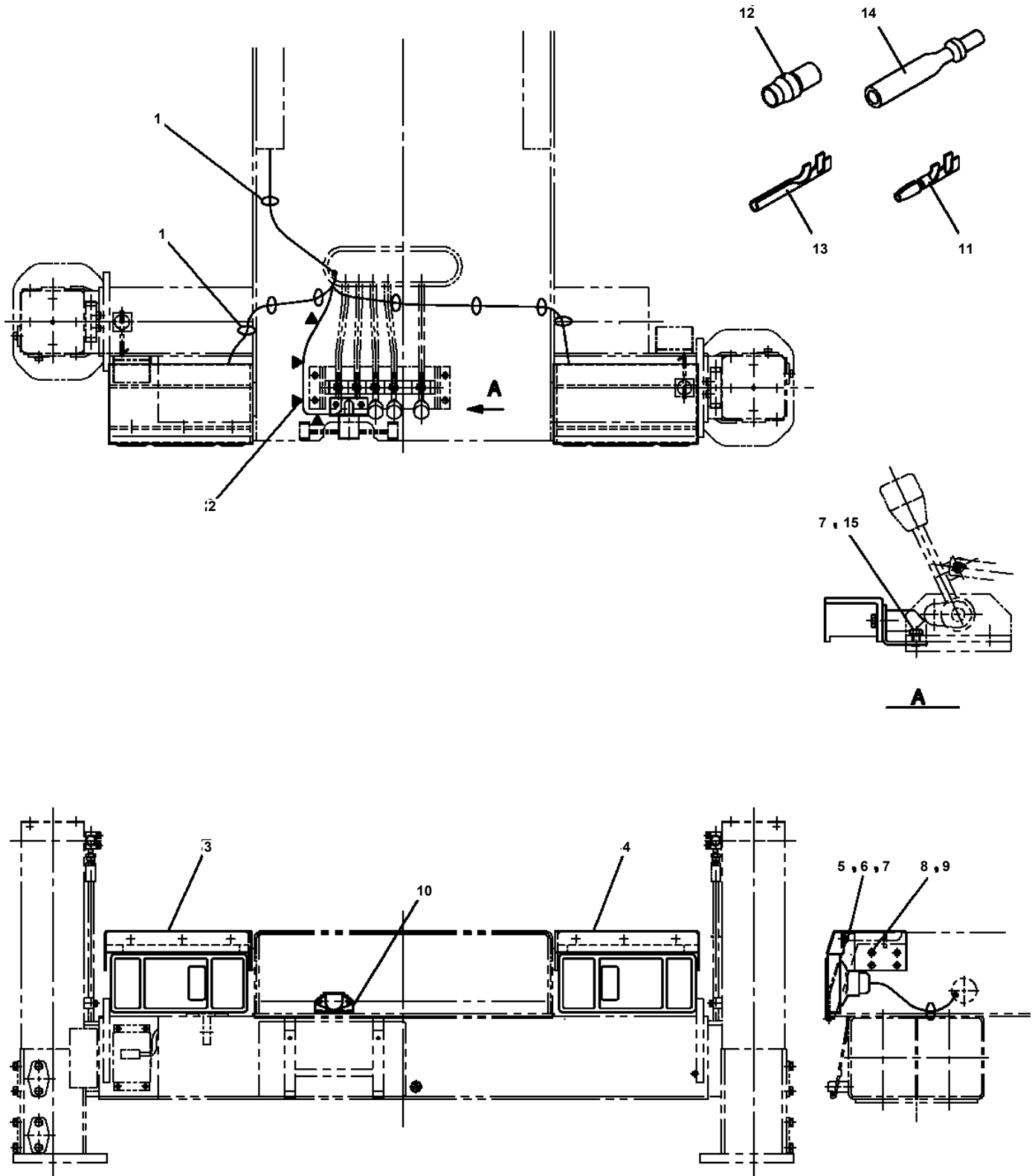
10



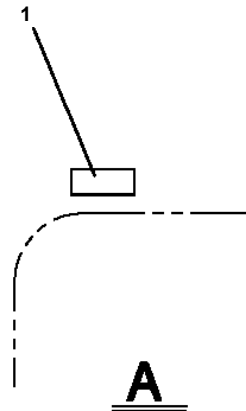
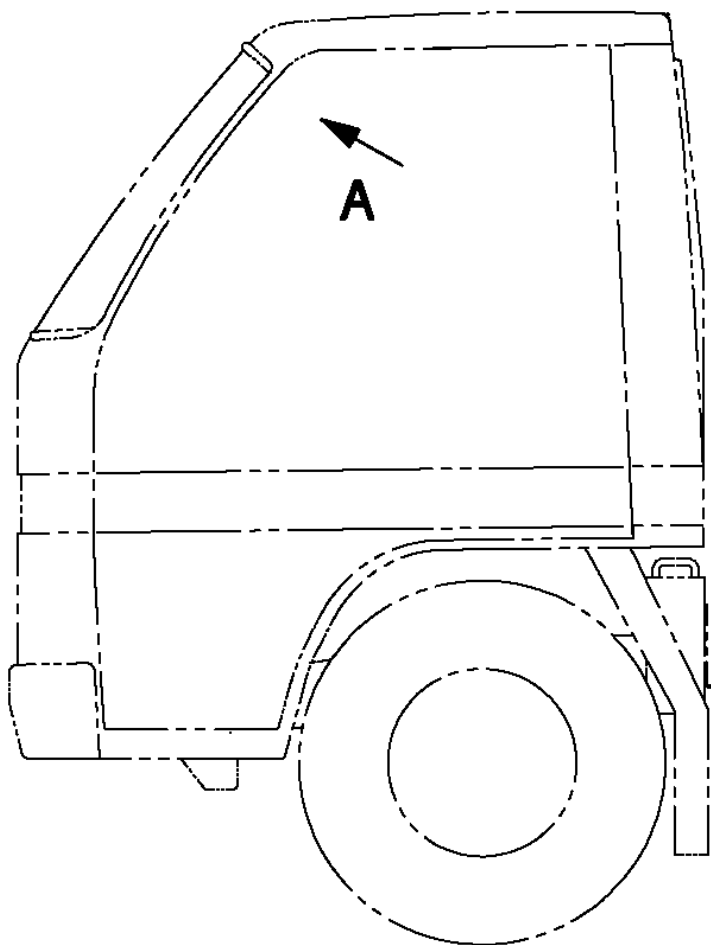
AT-141-1 42043142400 LOWER,ISUZU NKR66E5N  
PI1120305-02 VALVE,SOLENOID



AT-141-1 42043142400 LOWER,ISUZU NKR66E5N  
PN1010741-00 ELEC.ASSY (TAIL LAMP)



**AT-141-1 42043142400 LOWER,ISUZU NKR66E5N  
PO1010797-00 PLATE,INDICATION**



CLICK HERE TO **DOWNLOAD** THE COMPLETE MANUAL

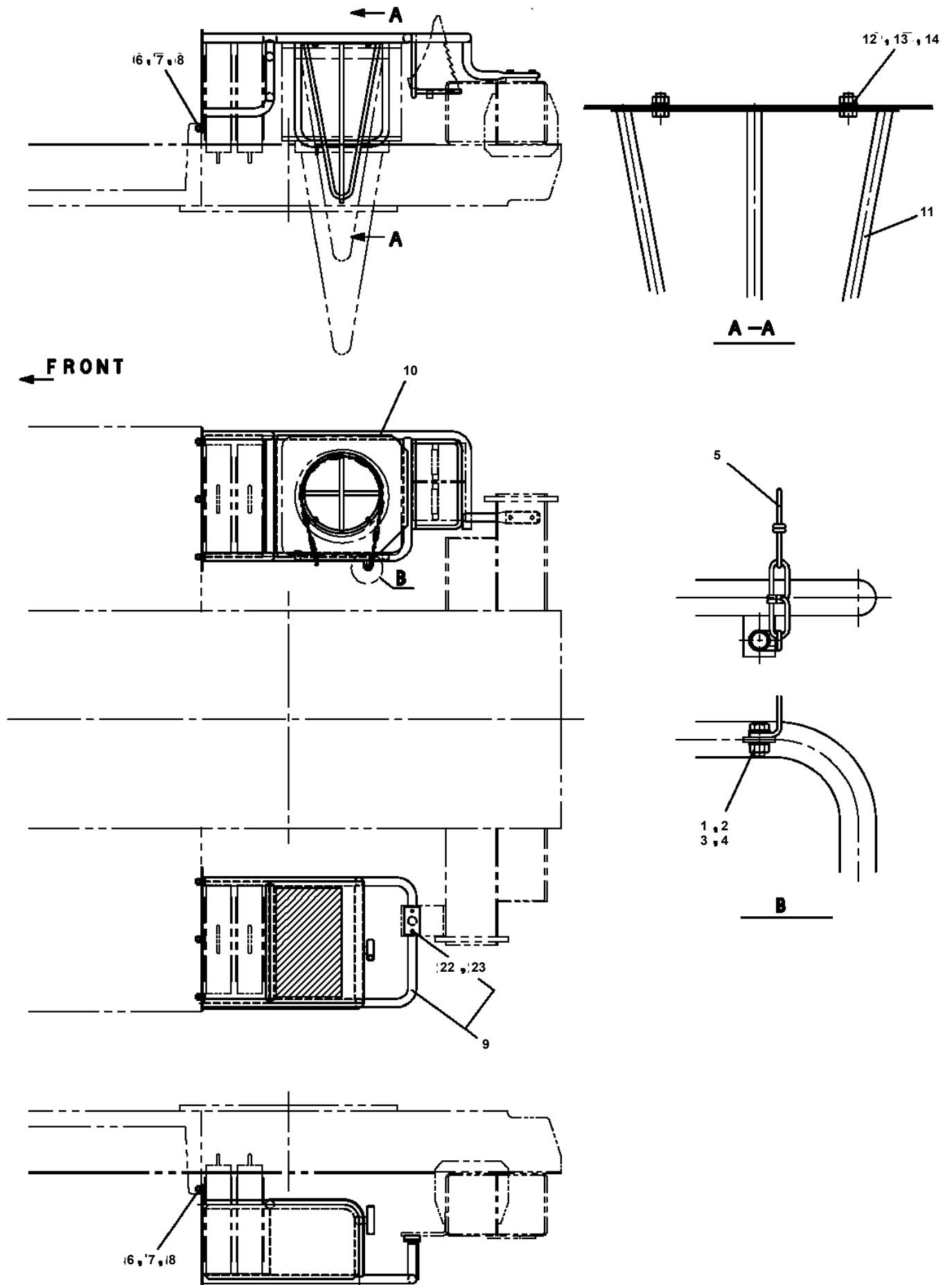
- Thank you very much for reading the preview of the manual.
- You can download the complete manual from: [www.heydownloads.com](http://www.heydownloads.com) by clicking the link below



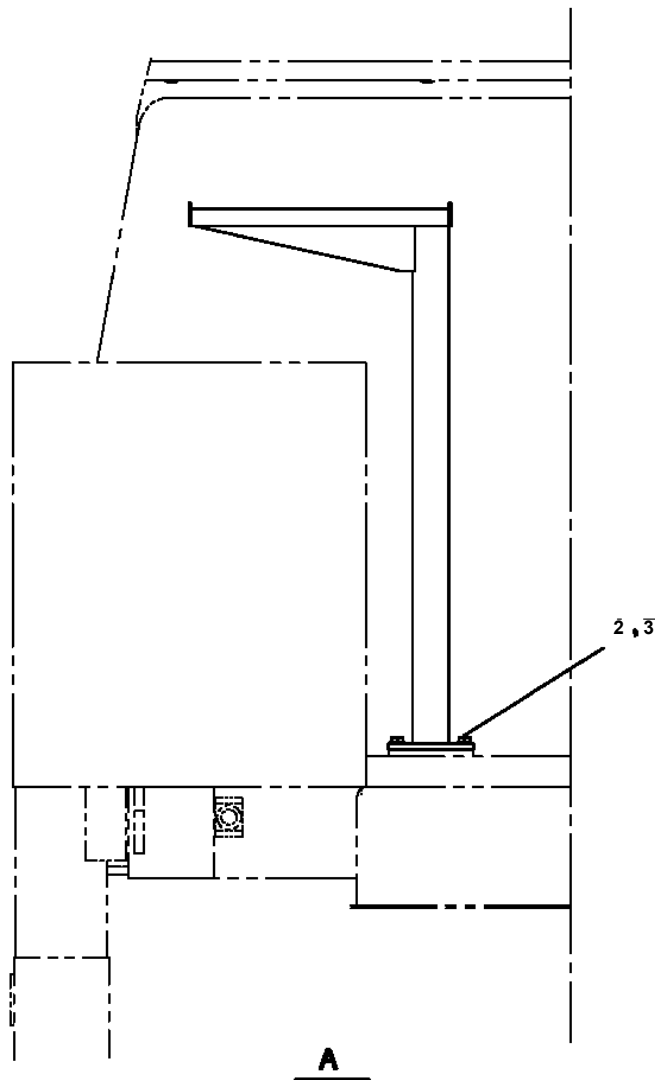
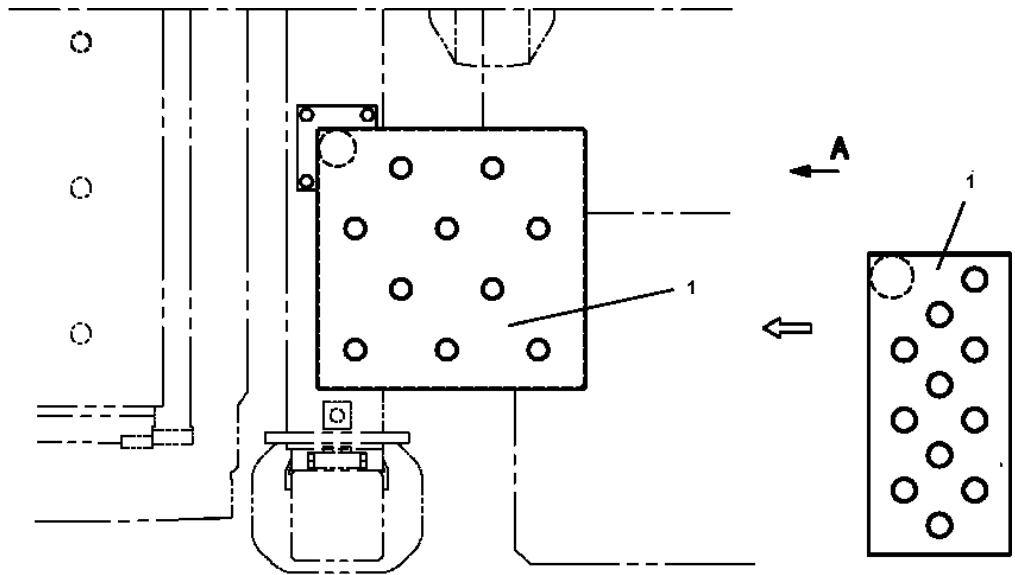
- Please note: If there is no response to CLICKING the link, please download this PDF first and then click on it.

CLICK HERE TO **DOWNLOAD** THE COMPLETE MANUAL

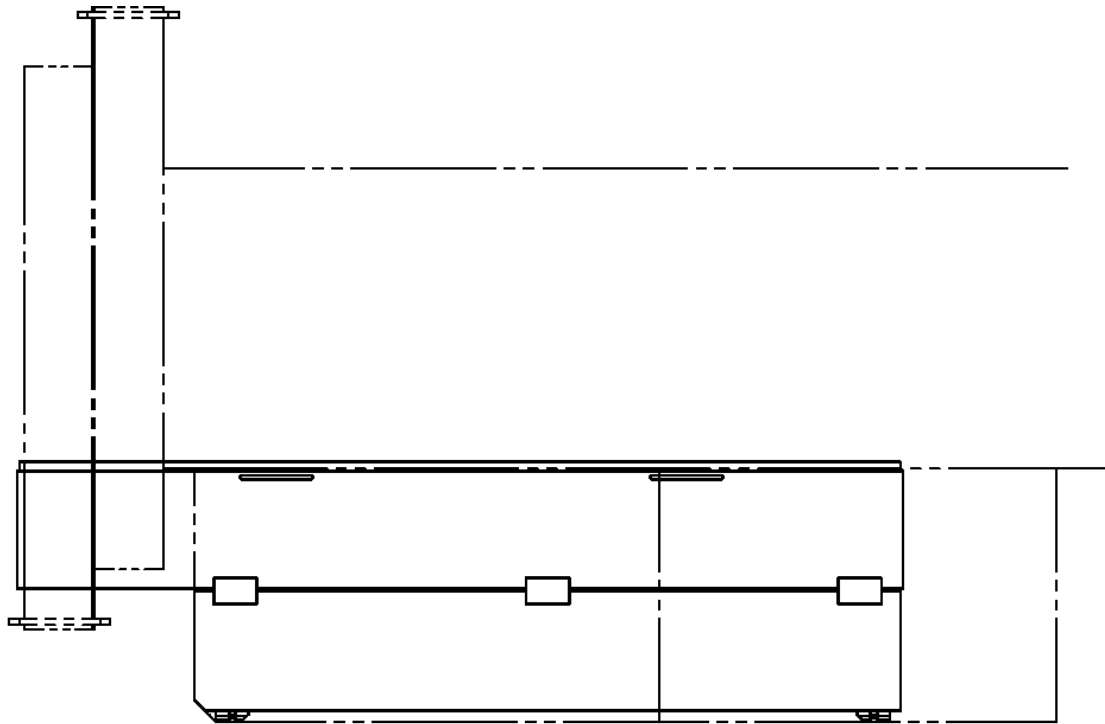
AT-141-1 42043142400 LOWER, ISUZU NKR66E5N  
PX1200186-01 SIDE GUARD INSTALLATION



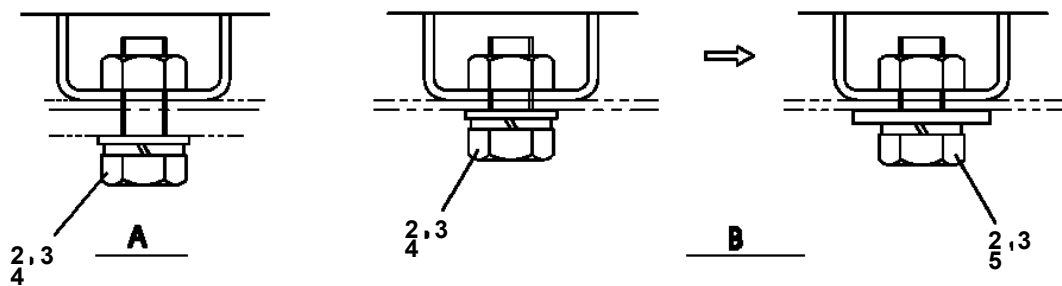
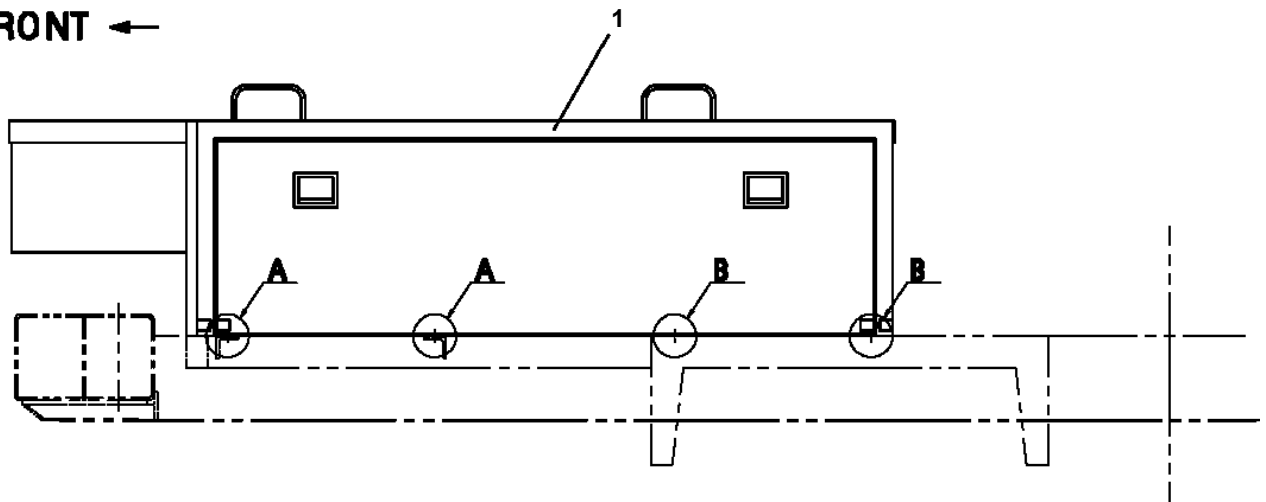
**AT-141-1 42043142400 LOWER, ISUZU NKR66E5N  
PX1260099-00 STEP INSTALLATION**



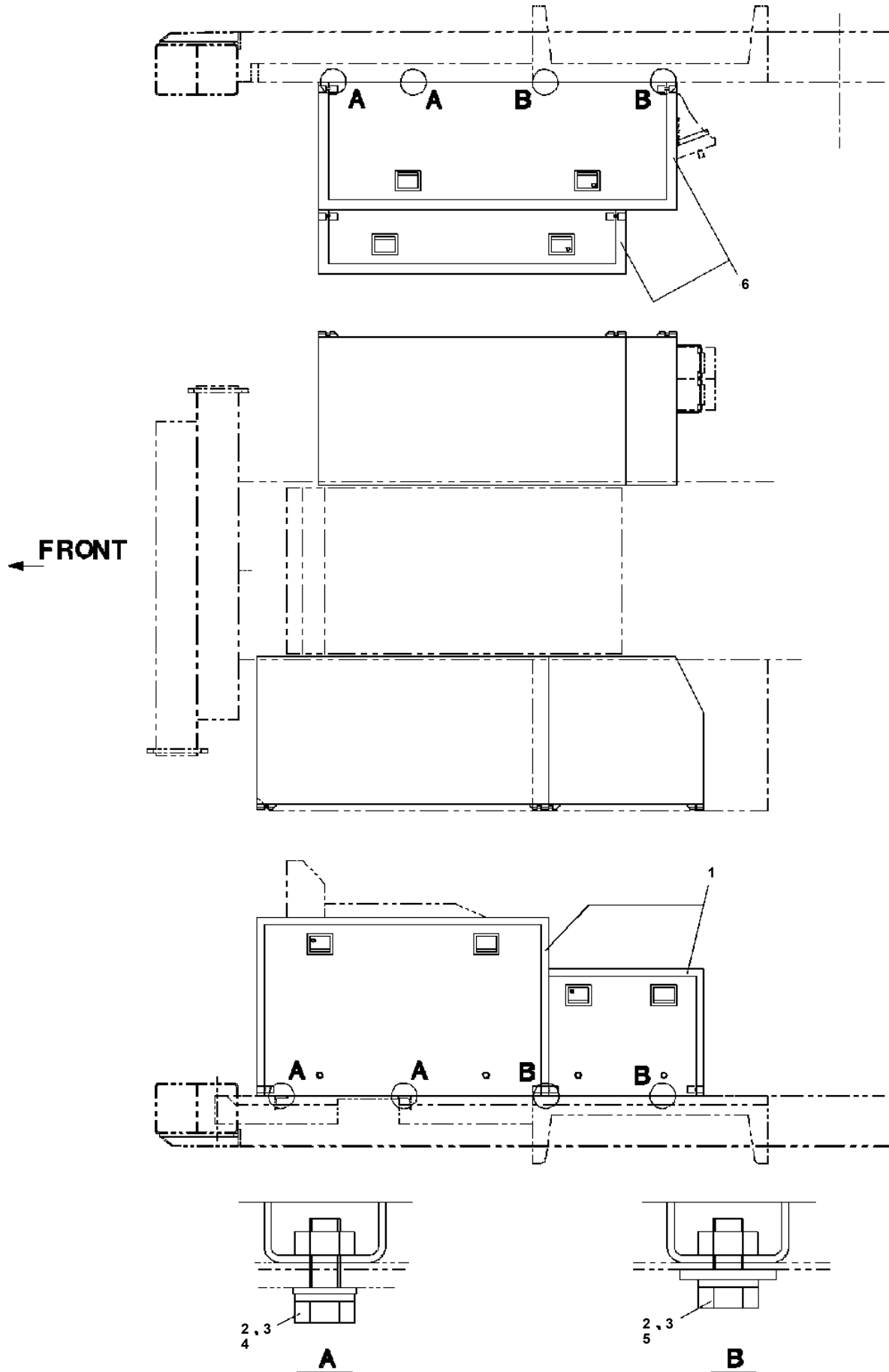
AT-141-1 42043142400 LOWER, ISUZU NKR66E5N  
PX1350089-01 BOX, TOOL (LEFT)



FRONT ←

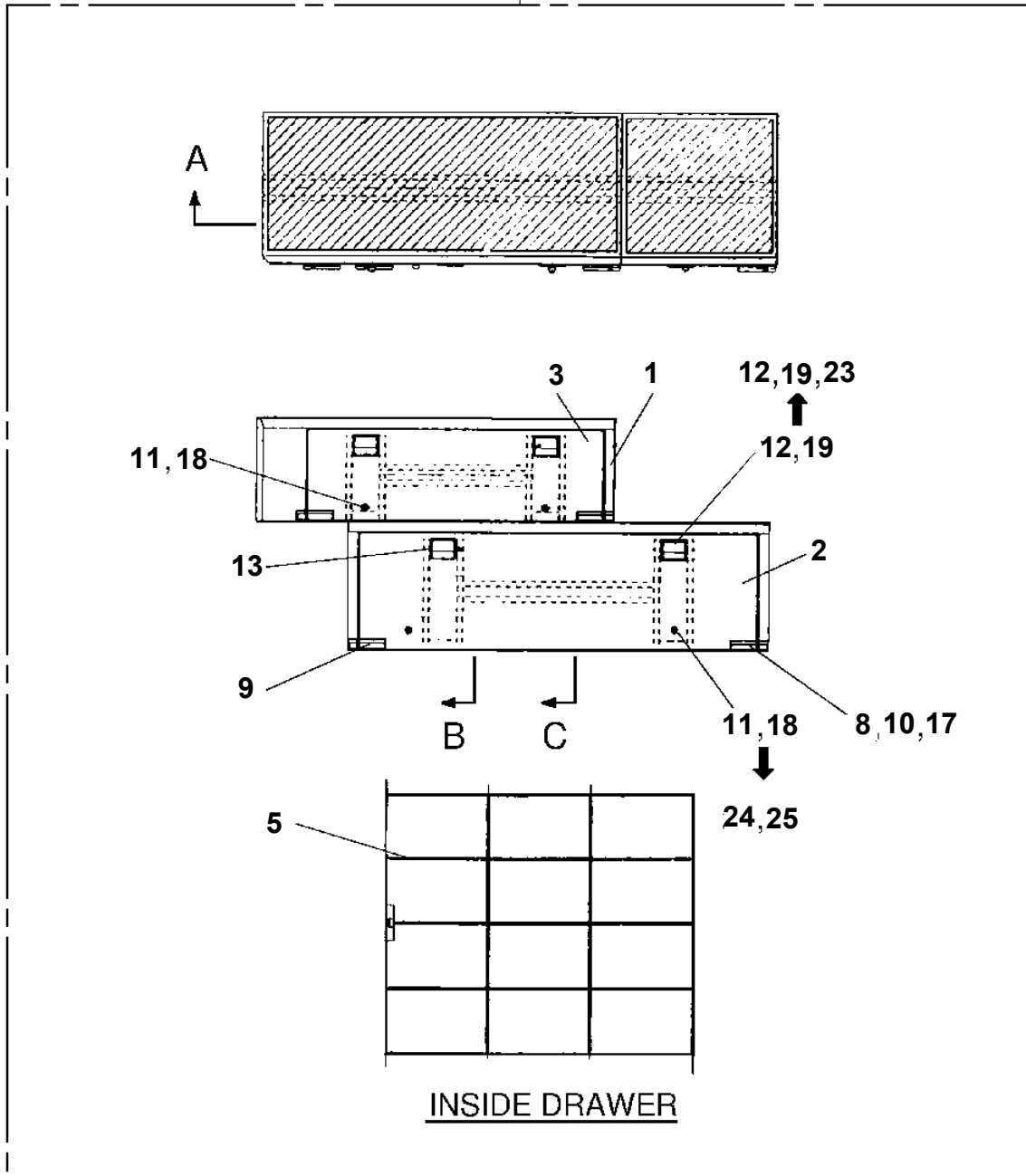


**AT-141-1 42043142400 LOWER,ISUZU NKR66E5N  
PX1350162-02 BOX,TOOL (LEFT)**



AT-141-1 42043142400 LOWER,ISUZU NKR66E5N  
PX1350279-02 BOX,TOOL (LEFT,FOR SHINDEN)

50



**AT-141-1 42043142400 LOWER,ISUZU NKR66E5N**

Pos No.	Parts No	Parts Name	Qty	Unit	Technical Data	Serial No (Start)	Serial No (End)	Remarks	P
1	42830937540	DOOR (FRONT)	1						
12	82461015112	CATCH (WITHOUT KEY)	2						
17	82461015111	CATCH (WITH KEY)	2						
20	42830937550	STRIKER	4						
25	42830937560	DOOR (FRONT)	1						
41	42830937510	HINGE SET	2						
42	42830937520	HINGE SET	2						
51	42830937530	PIN ASSY (FOR HINGE)	4						
100	42830931000	BOX,TOOL	1						

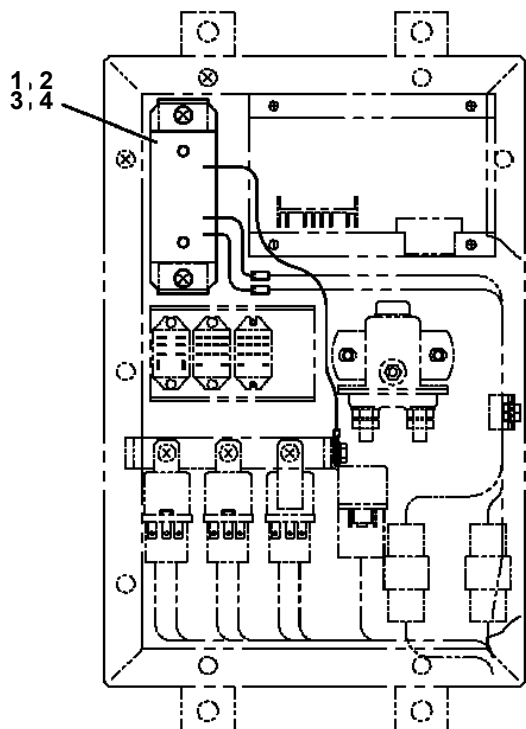
# AT-141-1 42043142400 LOWER,ISUZU NKR66E5N

Pos No.	Parts No	Parts Name	Qty	Unit	Technical Data	Serial No (Start)	Serial No (End)	Remarks	Pages
1	(*****)	BOX, TOOL (LEFT)	1						00005
2	(*****)	STEP INSTALLATION	1						00005

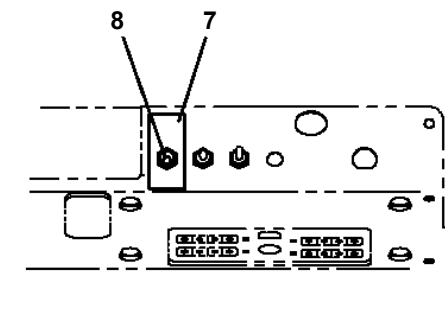
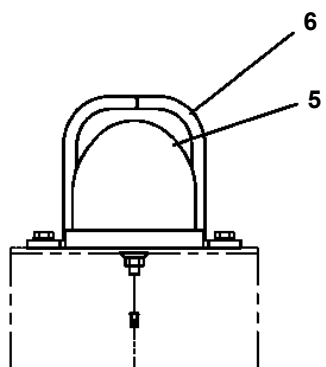
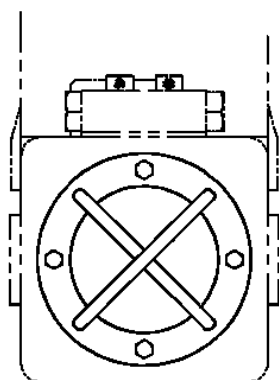
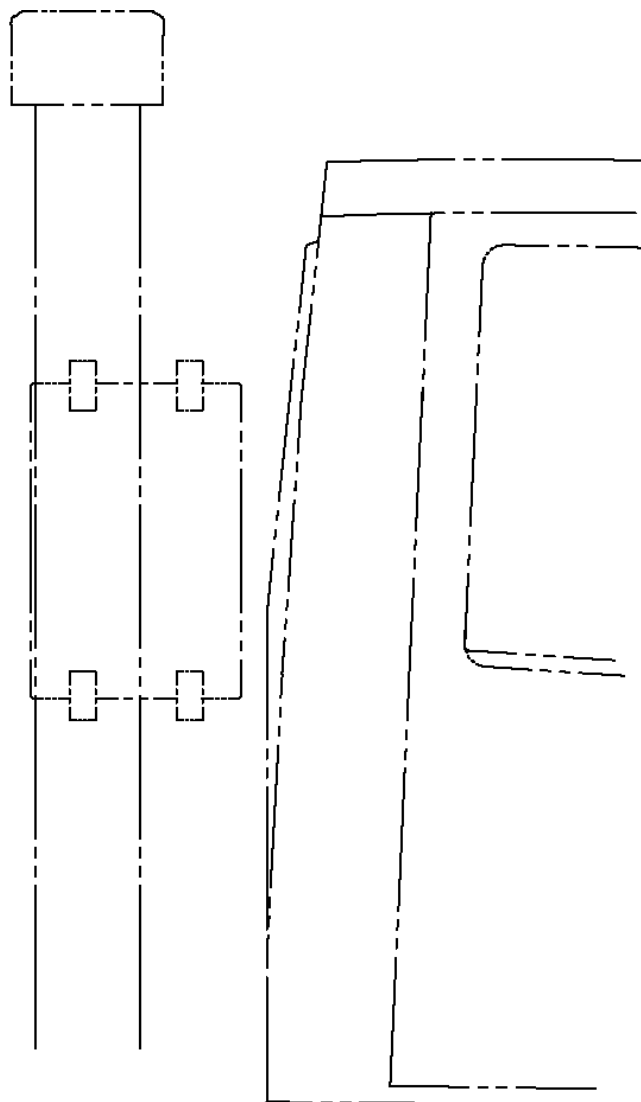
**AT-141-1 42043142400 LOWER,ISUZU NKR66E5N**

Pos No.	Parts No	Parts Name	Qty	Unit	Technical Data	Serial No (Start)	Serial No (End)	Remarks	Pages
1	42737710010	HARNESS	1						
2	36140500000	DETECTOR,ANGLE	1						
3	42651620400	COVER	1						
4	42651620300	PLATE	1						
5	90101206012	BOLT	6		M6X12				
6	90302040601	WASHER,SPRING	6		6				
7	90101208012	BOLT	2		M8X12				
8	90302040801	WASHER,SPRING	2		8				
9	42622332100	PLATE	1						
10	91810132530	FASTENER	20						
32	82400000201	GROMMET	1		KG-016				

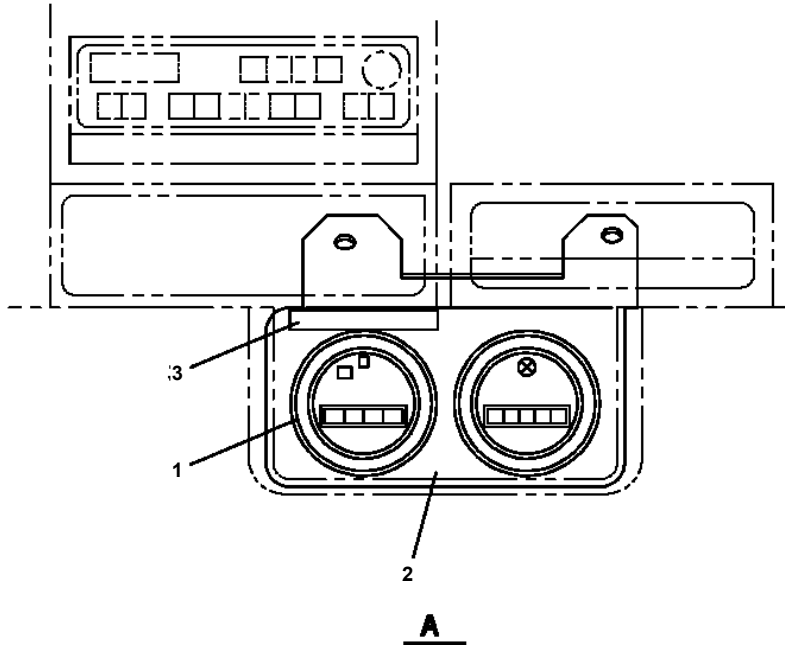
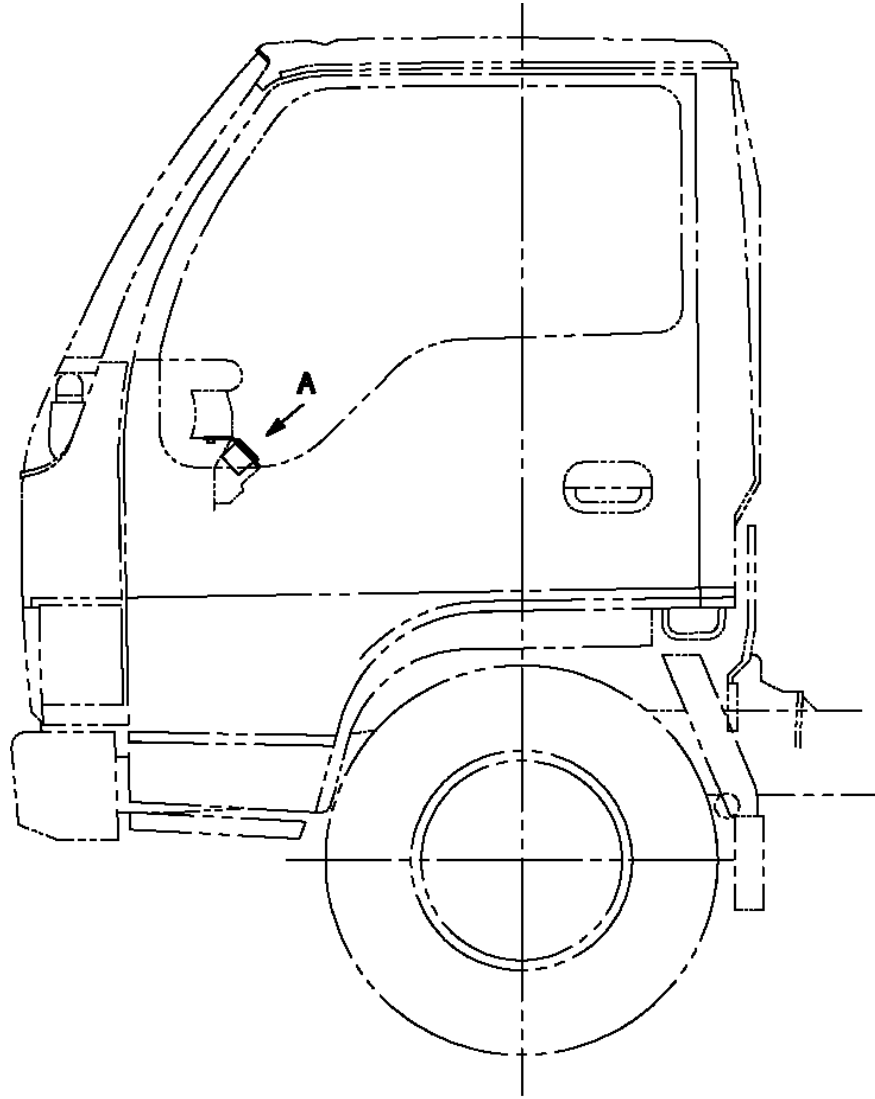
**AT-141-1 42043142400 LOWER,ISUZU NKR66E5N  
PY1180094-03 LAMP (FLICKER)**



RELAY BOX



AT-141-1 42043142400 LOWER,ISUZU NKR66E5N  
PY1510030-00 HOUR METER



CLICK HERE TO **DOWNLOAD** THE COMPLETE MANUAL

- Thank you very much for reading the preview of the manual.
- You can download the complete manual from: [www.heydownloads.com](http://www.heydownloads.com) by clicking the link below



- Please note: If there is no response to CLICKING the link, please download this PDF first and then click on it.

CLICK HERE TO **DOWNLOAD** THE COMPLETE MANUAL