

AT-121-1 43007130500 HINO PB-XZU301E-TKMQS6

PB3000084-00 POWER UNIT
PO1000171-00 INDICATION PLATES
PX2000507-01 CARRIER UNIT
PX3000311-00 MOUNTING UNIT
PY2000134-00 OPTIONS,2
ASSEMBLY

CLICK HERE TO **DOWNLOAD** THE COMPLETE MANUAL

- Thank you very much for reading the preview of the manual.
- You can download the complete manual from: www.heydownloads.com by clicking the link below



- Please note: If there is no response to CLICKING the link, please download this PDF first and then click on it.

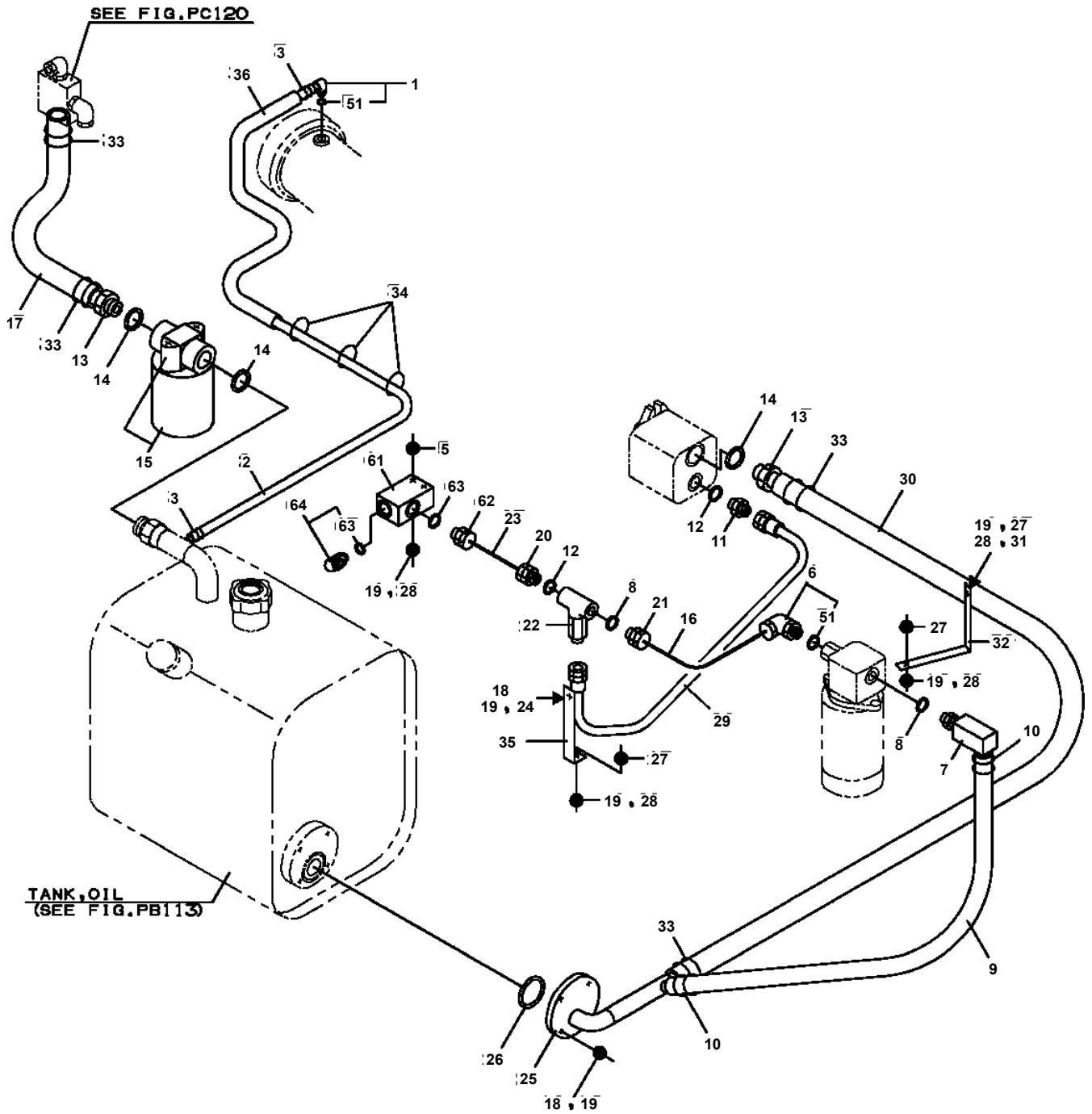
CLICK HERE TO **DOWNLOAD** THE COMPLETE MANUAL

AT-121-1 43007130500 HINO PB-XZU301E-TKM QS6

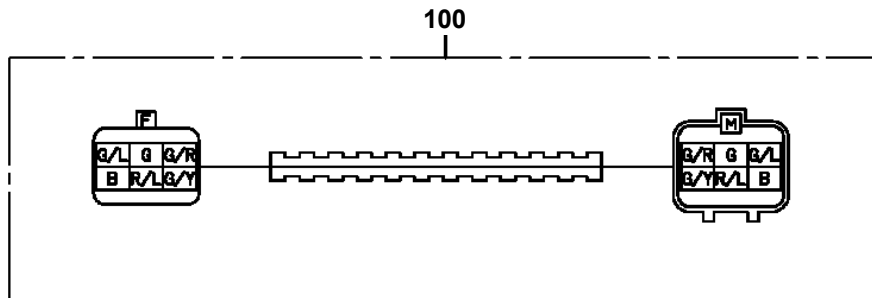
Pos No.	Parts No	Parts Name	Qty	Unit	Technical Data	Serial No (Start)	Serial No (End)	Remarks	Pages
2	(*****)	DECK	1						000020

AT-121-1 43007130500 HINO PB-XZU301E-TKM QS6
PB1411358-00 PIPING, LOWER

FRONT

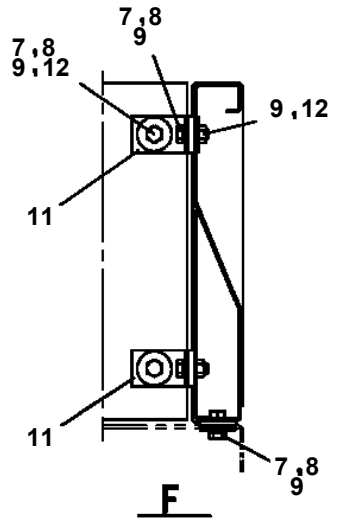
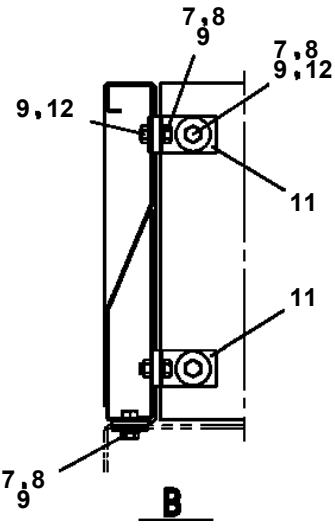
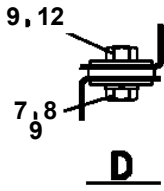
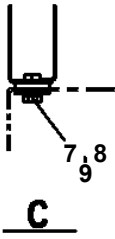
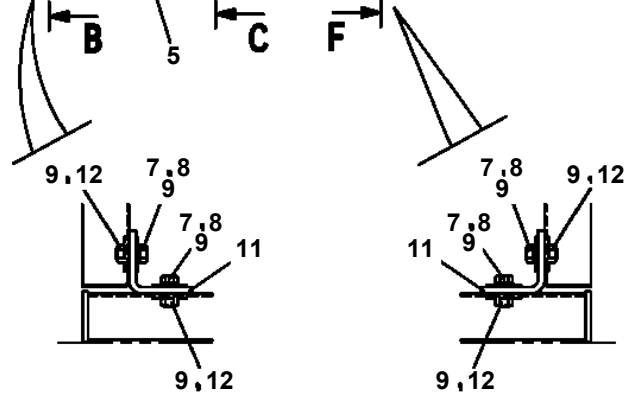
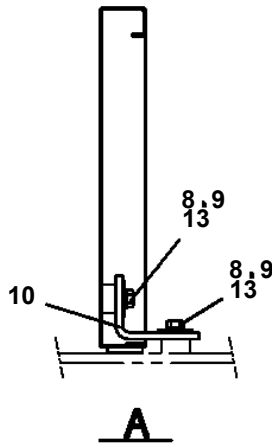
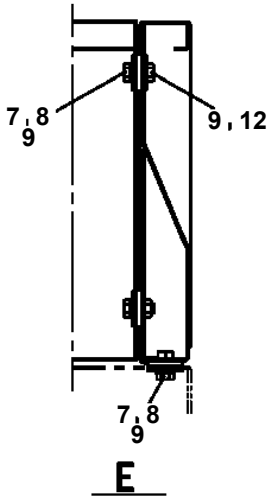
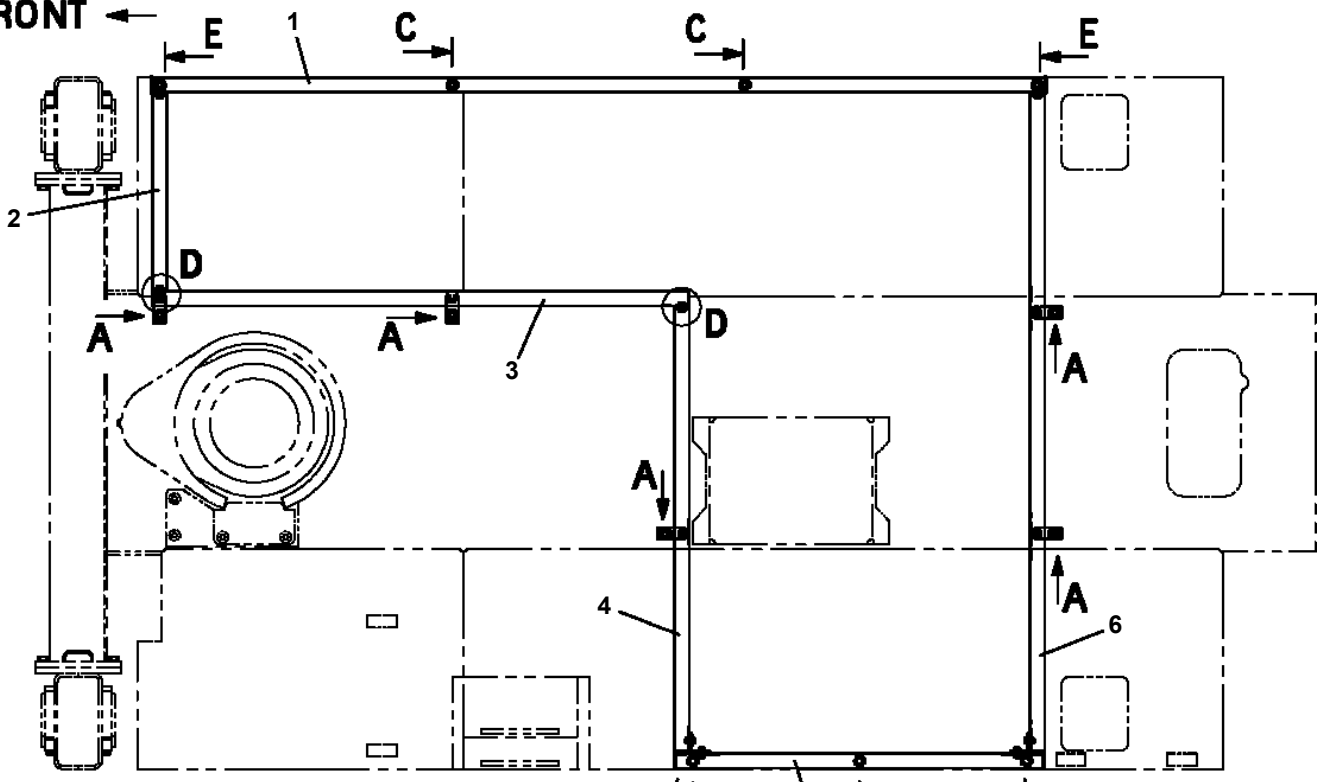


AT-121-1 43007130500 HINO PB-XZU301E-TKM QS6
PH5034644-00 HARNESS



AT-121-1 43007130500 HINO PB-XZU301E-TKM QS6
 PK1180015-00 DECK

FRONT ←



AT-121-1 43007130500 HINO PB-XZU301E-TKMQS6

Pos No.	Parts No	Parts Name	Qty	Unit	Technical Data	Serial No (Start)	Serial No (End)	Remarks	Pages
1	82420506412	TRIM	N						
2	82115001002	CONNECTOR	4						
8	42933330400	HARNESS (MAIN)	1						000012
9	91810132530	FASTENER	20						
10	82100002596	RELAY	2						
16	90101206012	BOLT	3		M6X12				
17	90302040601	WASHER,SPRING	4		6				
18	90201200600	NUT	1		M6				
19	82100002012	CLAMP	1		WR18				
20	82100002597	RELAY	1						
21	82114175630	CONNECTOR	1						
51	82154201010	METER,HOUR	1						
52	42932210500	SUPPORT	1						
53	90101206014	BOLT	2		M6X14				
54	90201200600	NUT	2		M6				
55	90303070601	WASHER,PLAIN	2		6				
56	90302040601	WASHER,SPRING	2		6				

AT-121-1 43007130500 HINO PB-XZU301E-TKMQS6

Pos No.	Parts No	Parts Name	Qty	Unit	Technical Data	Serial No (Start)	Serial No (End)	Remarks	Pages
1	42696780100	FENDER	1						
2	42696780201	FENDER	1						
3	42696780300	FENDER	1						
4	42696780401	FENDER	1						
5	42696780500	FENDER	1						
6	90180208020	BOLT,BUTTON	10		M8X20				
7	90302040801	WASHER,SPRING	18		8				
8	37000506550	PLATE	10		T=1.6				
9	42696781200	GUARD,SIDE	1						
10	90101210020	BOLT	30		M10X20				
11	90302041001	WASHER,SPRING	34		10				
12	90303071001	WASHER,PLAIN	10		10				
13	42696790200	SUPPORT	1						
14	90201201000	NUT	4		M10				
15	37000549940	PLATE	21		T=3.2				
16	90101210035	BOLT	4		M10X35				
17	42896580101	SUPPORT	1						
18	42697453100	STEP	1						
19	90101208016	BOLT	8		M8X16				
20	42696871800	SUPPORT	1						
21	90303070801	WASHER,PLAIN	4		8				

CLICK HERE TO **DOWNLOAD** THE COMPLETE MANUAL

- Thank you very much for reading the preview of the manual.
- You can download the complete manual from: www.heydownloads.com by clicking the link below



- Please note: If there is no response to CLICKING the link, please download this PDF first and then click on it.

CLICK HERE TO **DOWNLOAD** THE COMPLETE MANUAL