

AT-121-1 43007161000 LOWER,TOYOTA BDG-XZU304H-TKMQB6

PB3000084-00 POWER UNIT
PO1000171-00 INDICATION PLATES
PX2001691-00 CARRIER UNIT
PX3000311-00 MOUNTING UNIT
PY2000054-03 OPTIONS,1
PY2000144-00 OPTIONS,2
ASSEMBLY

CLICK HERE TO **DOWNLOAD** THE COMPLETE MANUAL

- Thank you very much for reading the preview of the manual.
- You can download the complete manual from: www.heydownloads.com by clicking the link below



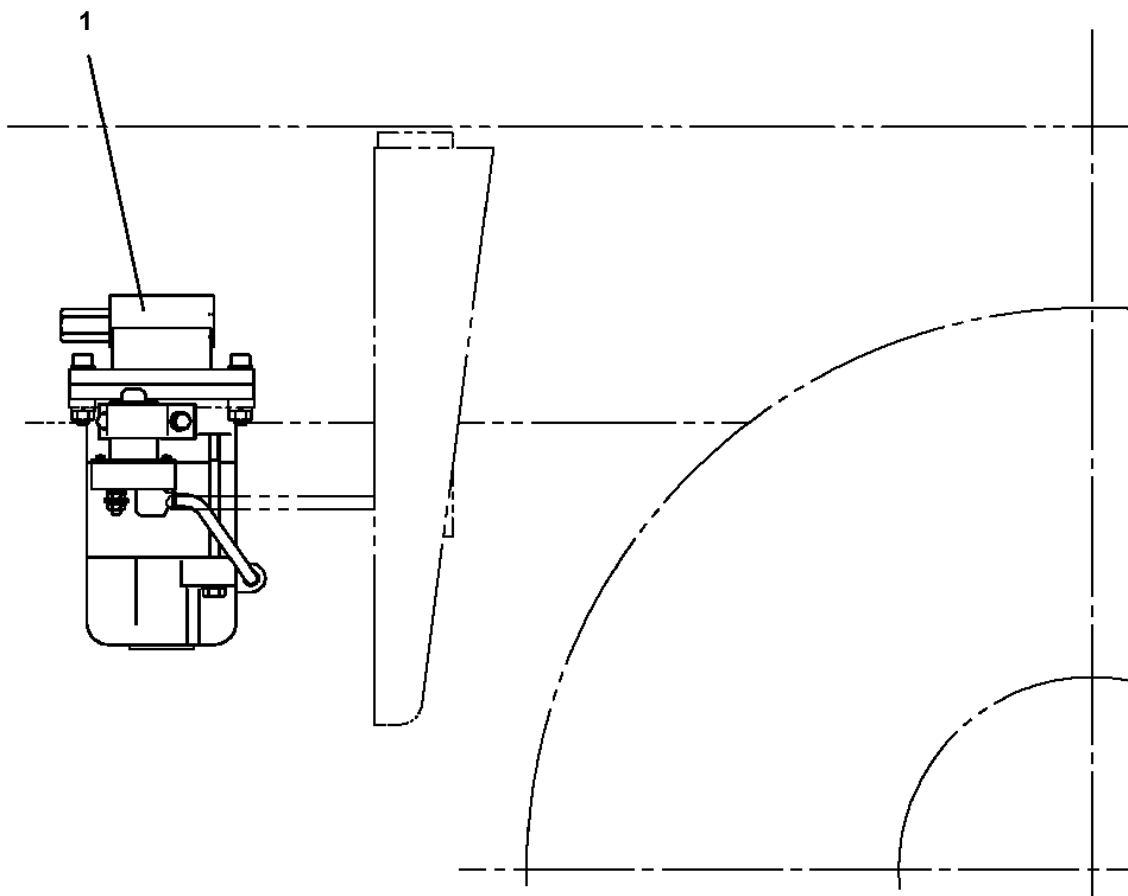
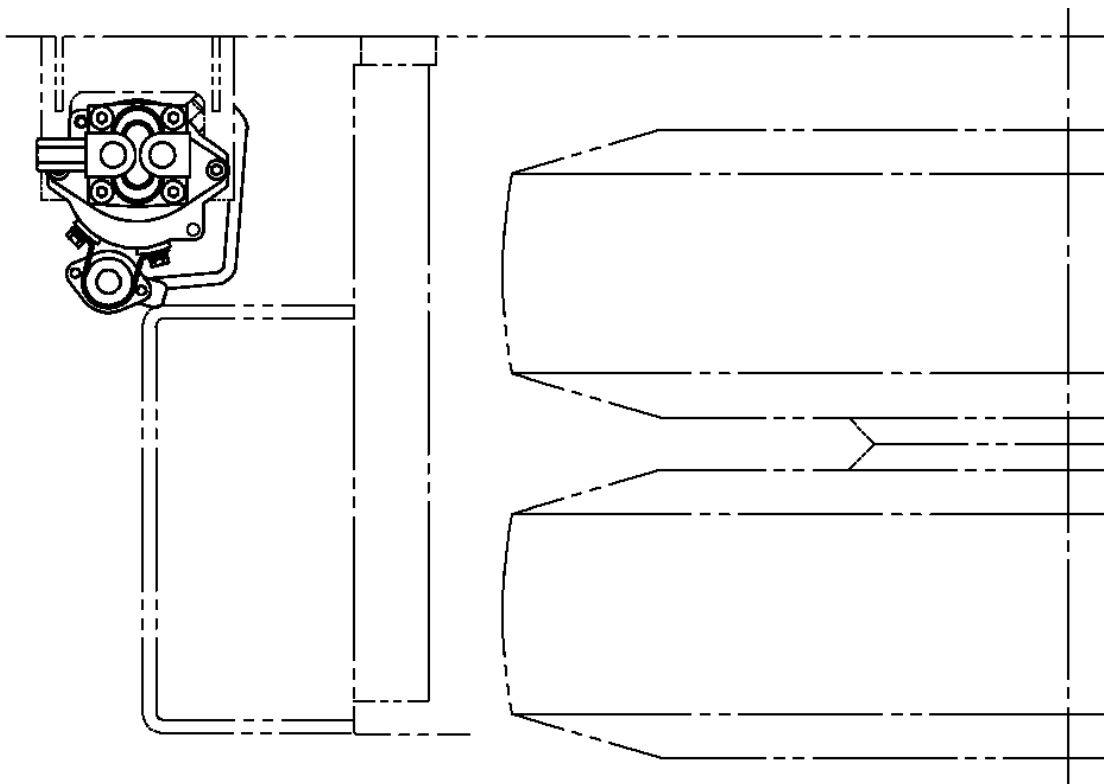
- Please note: If there is no response to CLICKING the link, please download this PDF first and then click on it.

CLICK HERE TO **DOWNLOAD** THE COMPLETE MANUAL

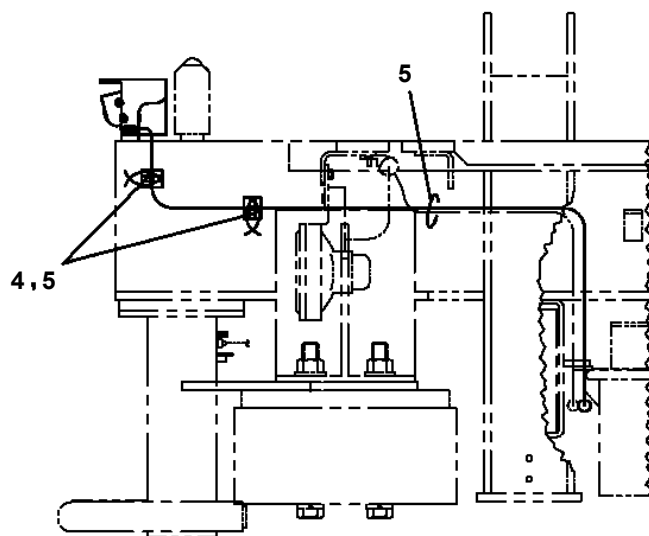
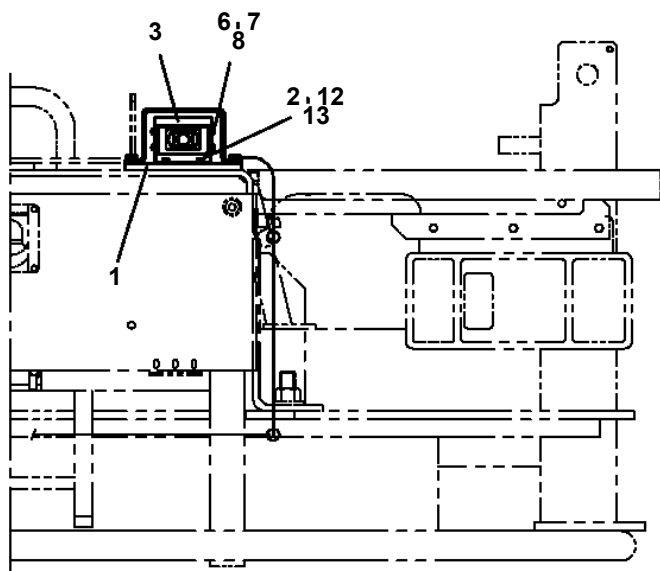
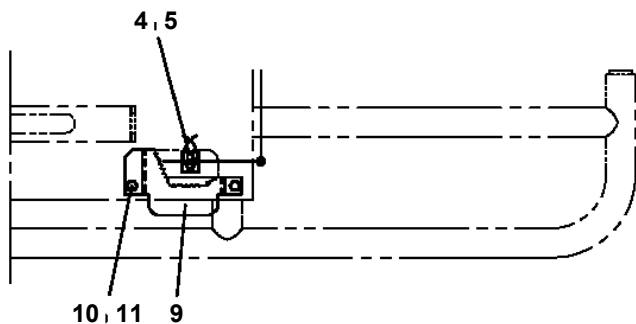
AT-121-1 43007161000 LOWER,TOYOTA BDG-XZU304H-TKMQB6

Pos No.	Parts No	Parts Name	Qty	Unit	Technical Data	Serial No (Start)	Serial No (End)	R
1	(*****)	EARTHING DEVICE	1					
2	(*****)	EARTHING DEVICE	1					
3	(*****)	VIEW SYSTEM (FOR ISUZU,NISSAN)	1					

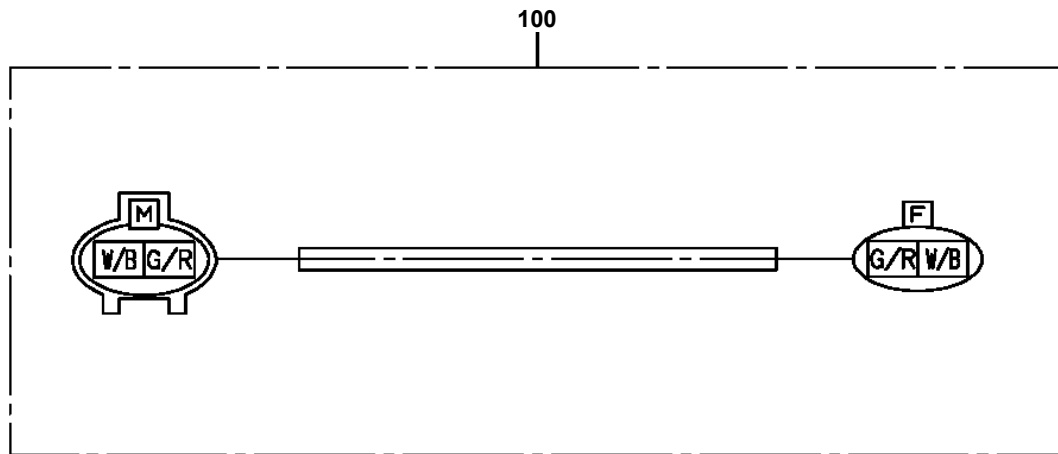
AT-121-1 43007161000 LOWER,TOYOTA BDG-XZU304H-TKMQB6
PB1110008-00 MOUNT,PUMP (EMERGENCY)



AT-121-1 43007161000 LOWER, TOYOTA BDG-XZU304H-TKMQB6
PH1700334-00 VIEW SYSTEM (CAMERA)

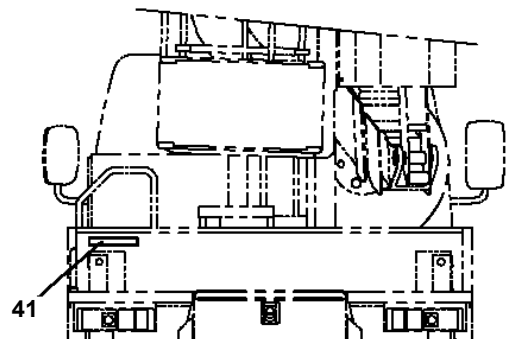
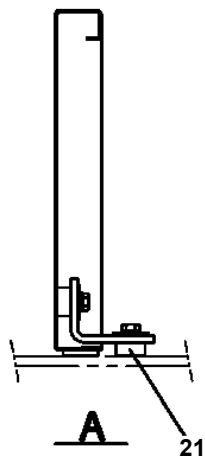
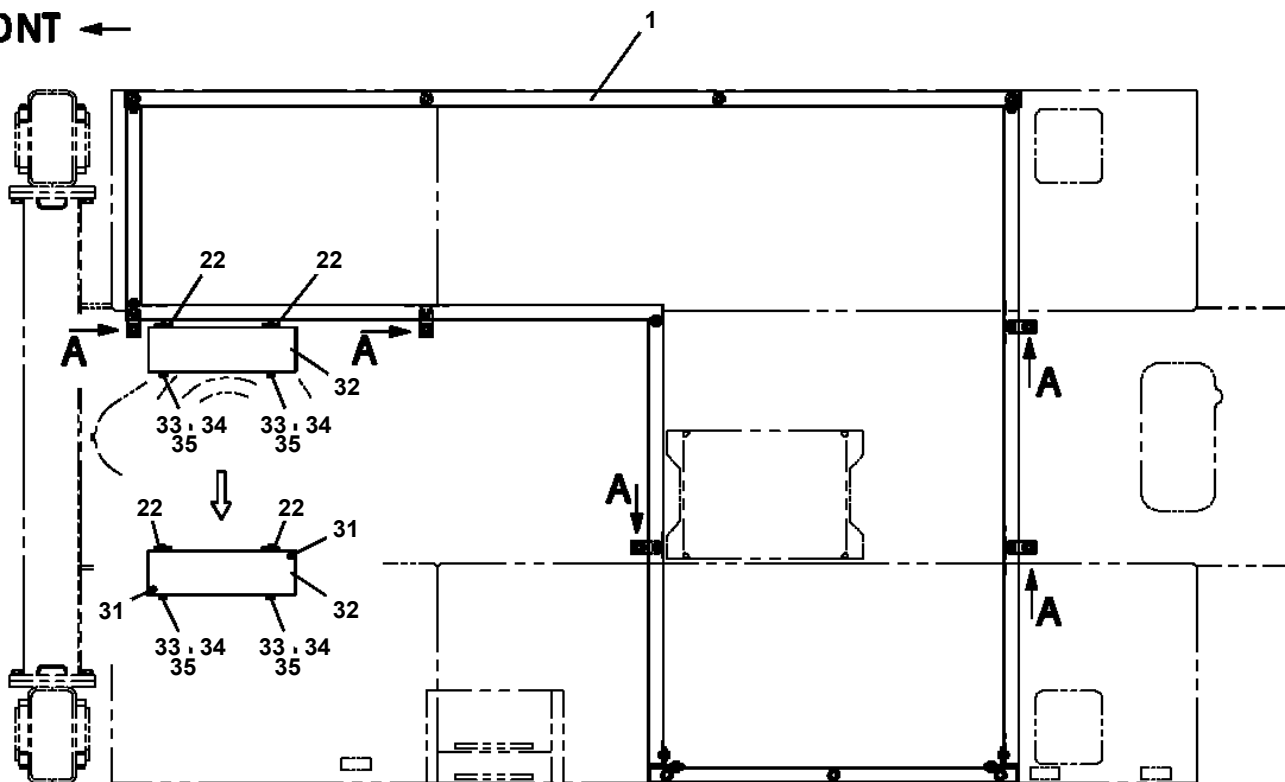


AT-121-1 43007161000 LOWER,TOYOTA BDG-XZU304H-TKMQB6
PH5034401-00 HARNESS



AT-121-1 43007161000 LOWER, TOYOTA BDG-XZU304H-TKMQB6
PK1180013-00 DECK

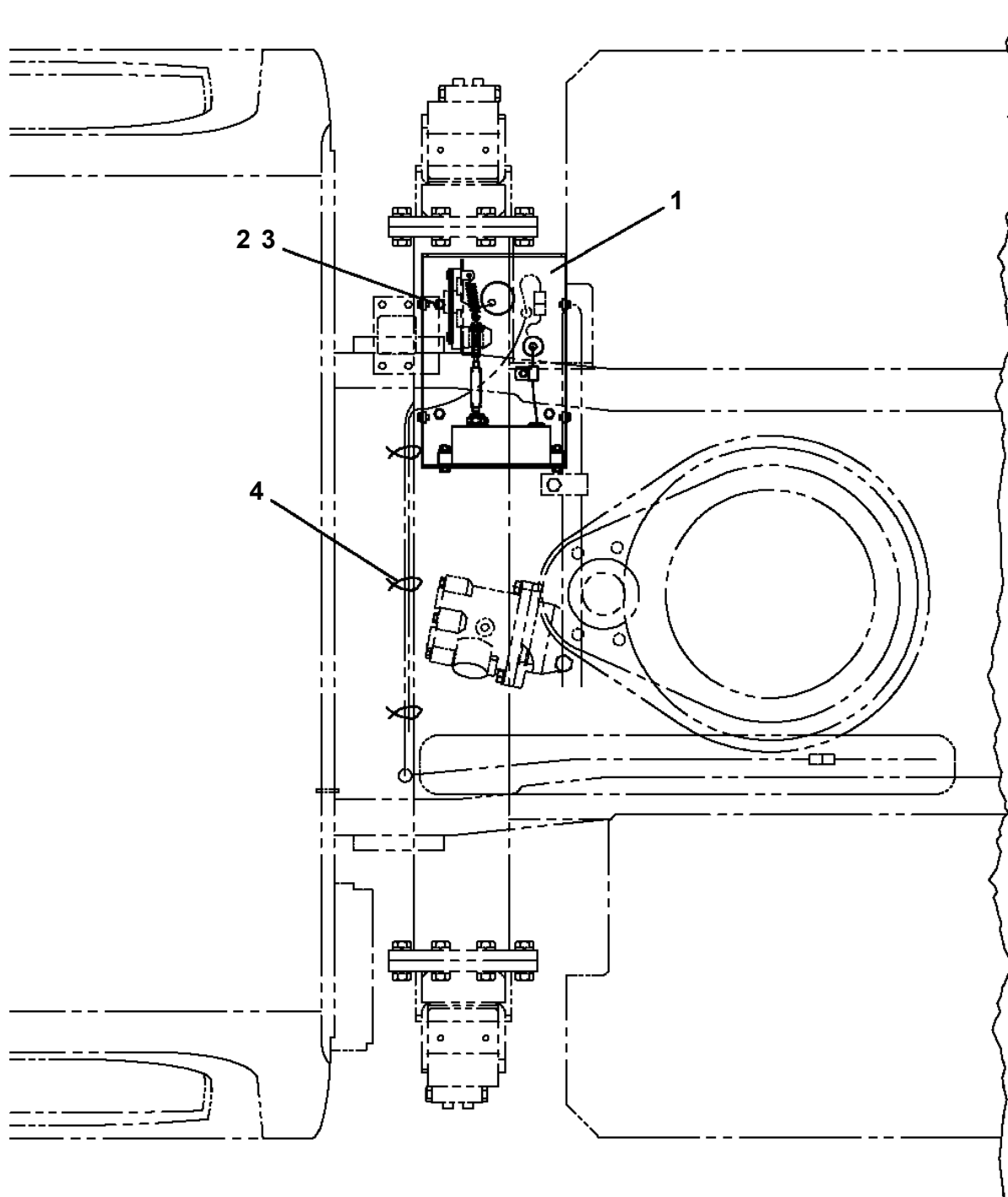
FRONT ←



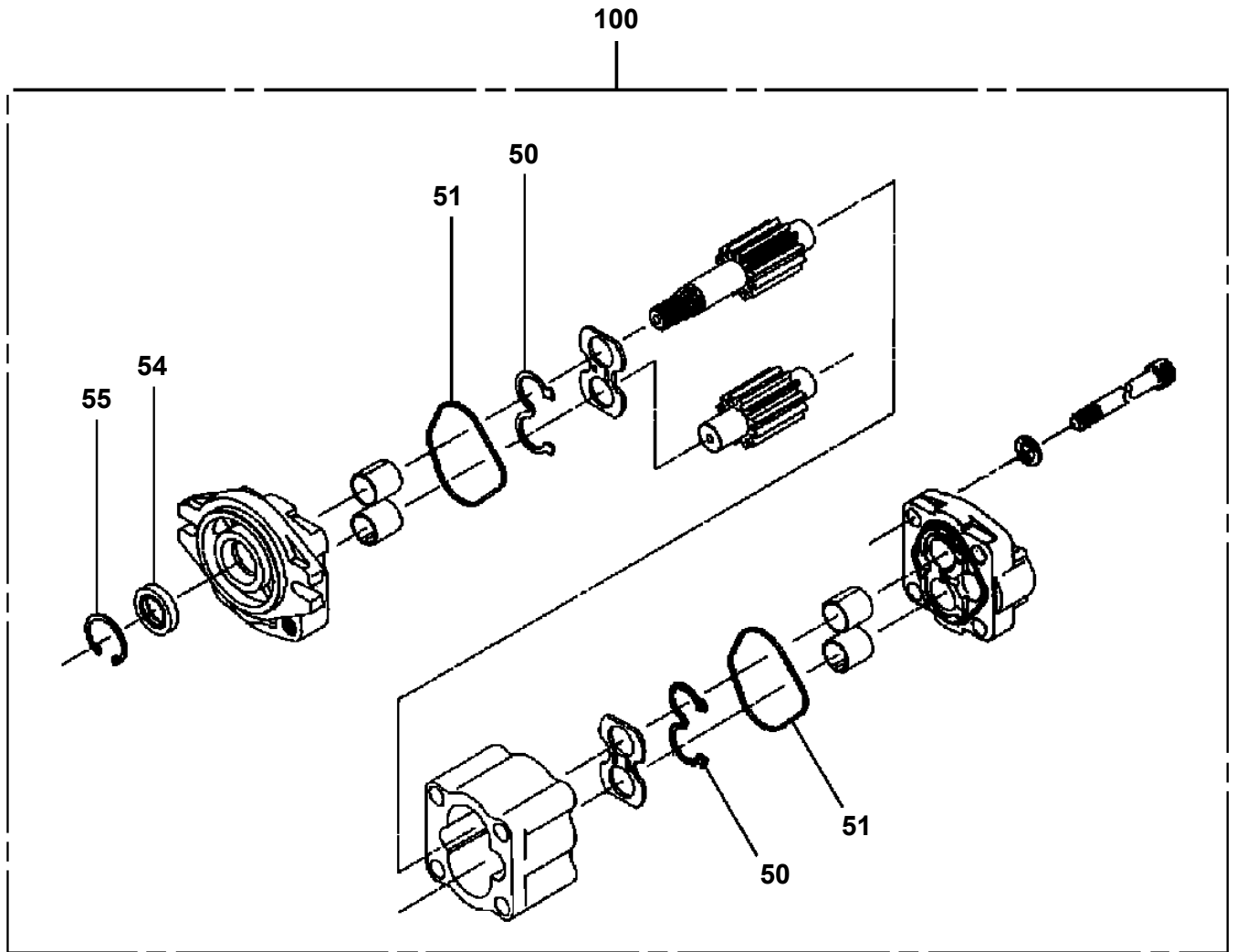
車両後方

AT-121-1 43007161000 LOWER, TOYOTA BDG-XZU304H-TKMQB6
PL1031071-00 OPE.ASSY, ACCELERATOR

FRONT ←



AT-121-1 43007161000 LOWER,TOYOTA BDG-XZU304H-TKMQB6
PP5500003-00 PUMP,OIL (32CC:L)



AT-121-1 43007161000 LOWER,TOYOTA BDG-XZU304H-TKMQB6

Pos No.	Parts No	Parts Name	Qty	Unit	Technical Data	Serial No (Start)	Serial No (End)	Remarks	Page
1	42785390100	SUPPORT	1						
2	42785390200	SUPPORT	1						
3	90171110030	BOLT	6		M10X30				
4	90302041001	WASHER,SPRING	6		10				
5	90201781000	NUT	6		M10				
6	91810130240	FASTENER	3						
7	42786830100	CABLE	1		L=280				
8	42786830200	CABLE	1		L=280				
9	90201200800	NUT	1		M8		HJ0998		
	90201200800	NUT	3		M8	HJ0999			
10	82100002016	CLAMP	1		WR25				
11	90101208016	BOLT	1		M8X16		HJ0998		
	90101208016	BOLT	2		M8X16	HJ0999			
12	90101206020	BOLT	1		M6X20		HJ0998		
	90101208020	BOLT	1		M8X20	HJ0999			
13	90201200600	NUT	1		M6		HJ0998		
	42786750100	SUPPORT	1			HJ0999			
14	90302040601	WASHER,SPRING	1		6		HJ0998		
15	90303070601	WASHER,PLAIN	1		6		HJ0998		
	90303070801	WASHER,PLAIN	1		8	HJ0999			
16	90302040801	WASHER,SPRING	1		8		HJ0998		
	90302040801	WASHER,SPRING	3		8	HJ0999			
17	82115220140	SLEEVE	1						
18	89850208100	TUBE,HEAT	1	M					
19	82112102005	SLEEVE	1						
20	82100001801	TUBE,CORRUGATE	1	M	7				
21	82100001802	TUBE,CORRUGATE	1	M	10				

CLICK HERE TO **DOWNLOAD** THE COMPLETE MANUAL

- Thank you very much for reading the preview of the manual.
- You can download the complete manual from: www.heydownloads.com by clicking the link below



- Please note: If there is no response to CLICKING the link, please download this PDF first and then click on it.

CLICK HERE TO **DOWNLOAD** THE COMPLETE MANUAL