

AT-121-2 43007232600 LOWER,HINO TKG-XZU600E-TKTQC6

PB3000174-00 POWER UNIT
PO1000171-00 INDICATION PLATES
PX2001589-00 CARRIER UNIT
PX3000647-00 MOUNTING UNIT
PY1001447-01 OPTIONS,1
ASSEMBLY

CLICK HERE TO **DOWNLOAD** THE COMPLETE MANUAL

- Thank you very much for reading the preview of the manual.
- You can download the complete manual from: www.heydownloads.com by clicking the link below



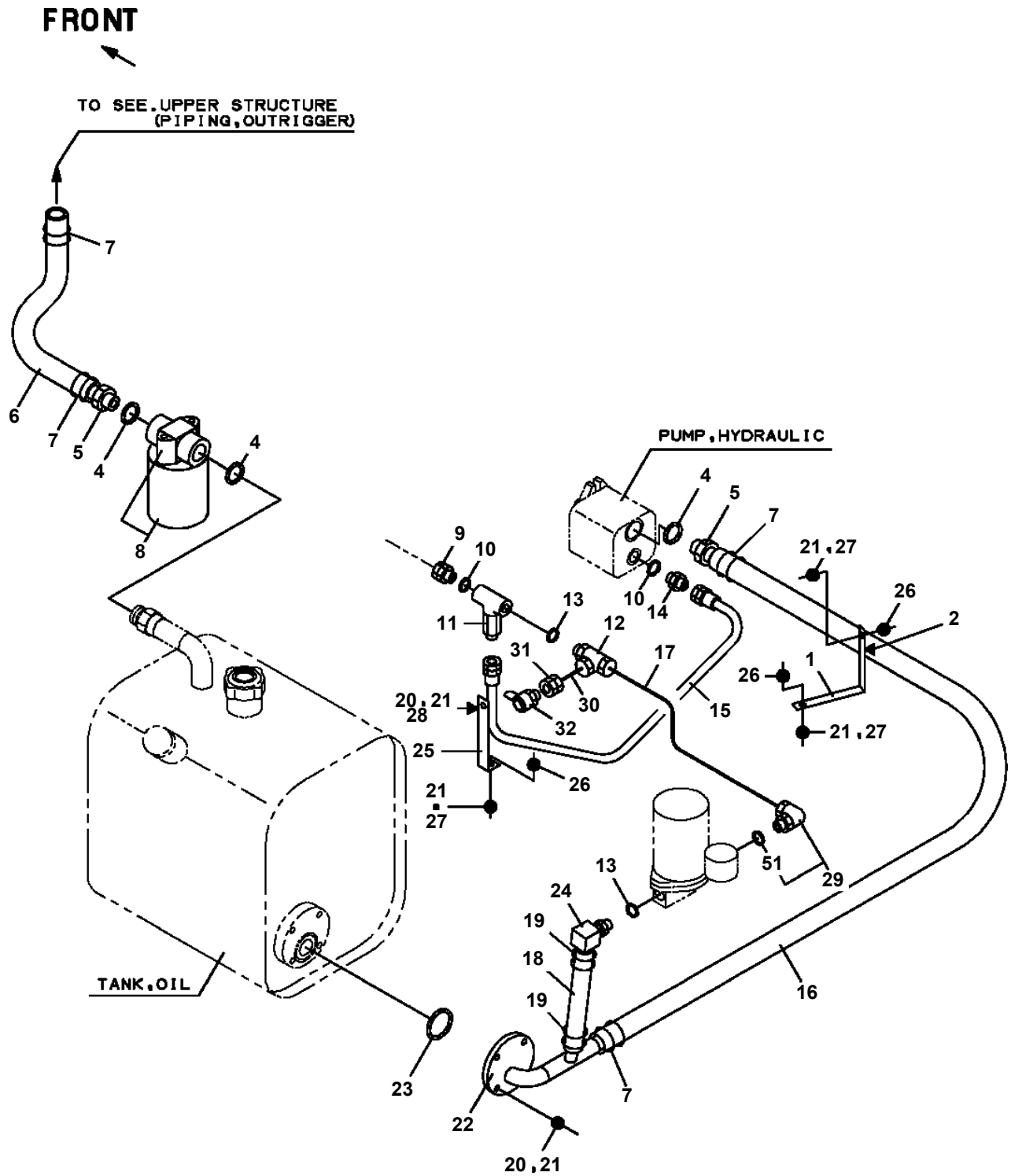
- Please note: If there is no response to CLICKING the link, please download this PDF first and then click on it.

CLICK HERE TO **DOWNLOAD** THE COMPLETE MANUAL

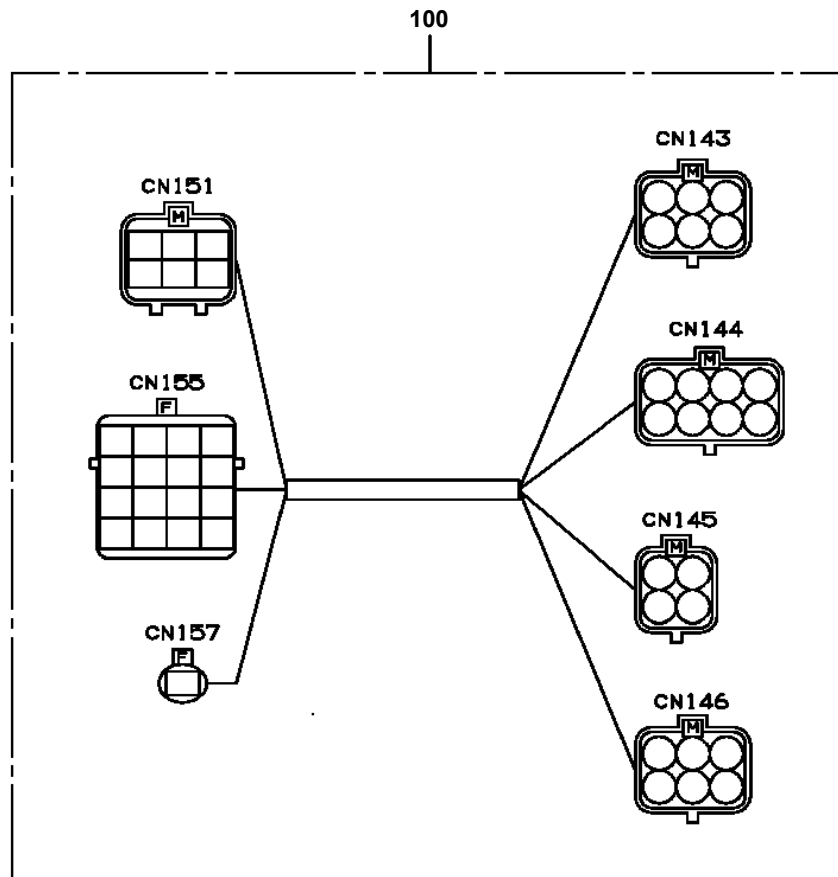
AT-121-2 43007232600 LOWER,HINO TKG-XZU600E-TKTQC6

| Pos No. | Parts No | Parts Name | Qty | Unit | Technical Data | Serial No |
|---------|----------|---|-----|------|----------------|-----------|
| 1 | (*****) | EARTHING DEVICE | 1 | | | |
| 2 | (*****) | DECK (150KG) | 1 | | | |
| 3 | (*****) | GUARD ASSY (100KG) | 1 | | | |
| 4 | (*****) | BOX,TOOL (RIGHT SINGLE) | 1 | | | |
| 5 | (*****) | ALARM SYSTEM | 1 | | | |
| 6 | (*****) | ELEC.ASSY (ALARM:UPPER/EXHAUST GAS PURIFIER DEVICE) | 1 | | | |

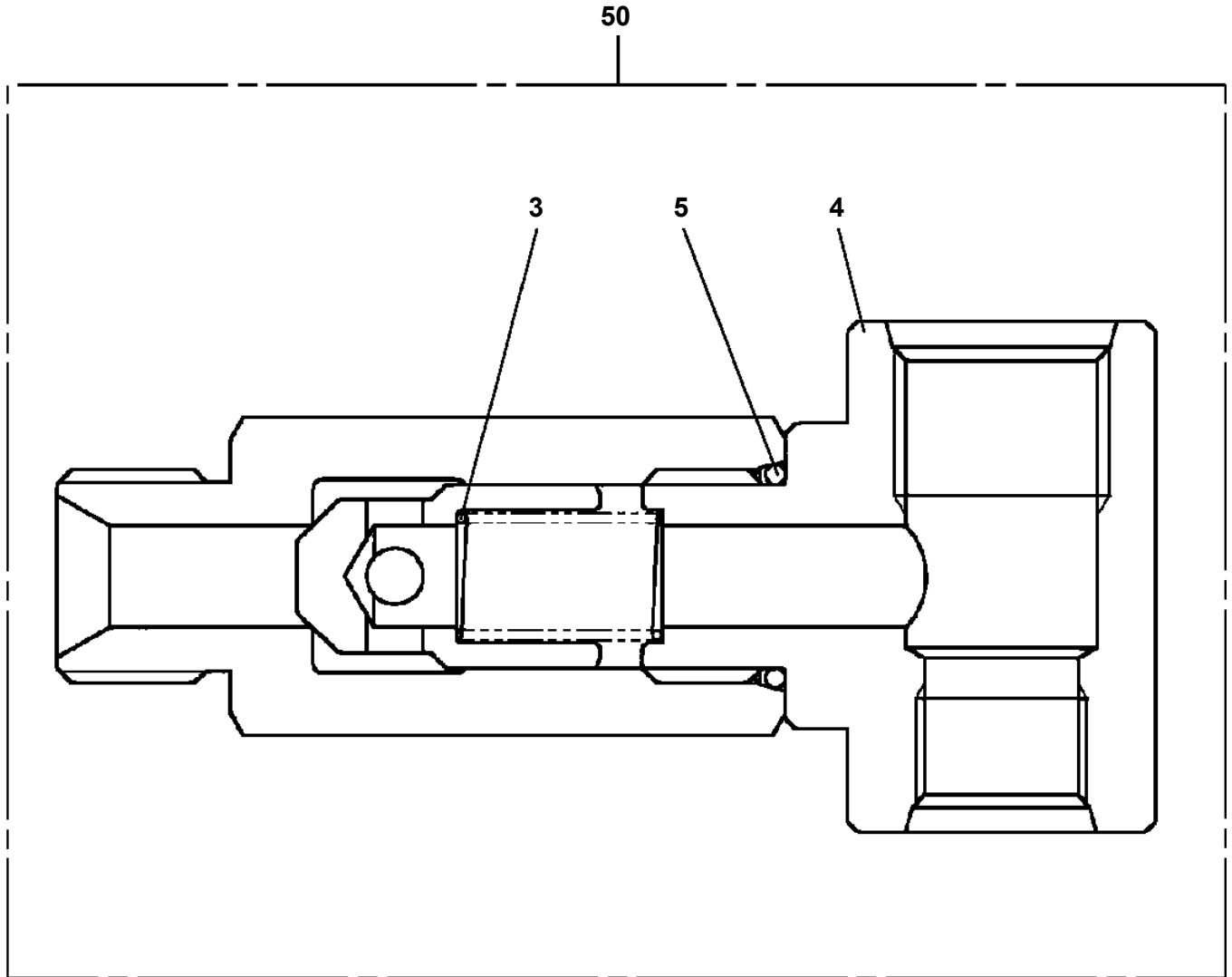
AT-121-2 43007232600 LOWER,HINO TKG-XZU600E-TKTQC6
PB1411992-00 PIPING,LOWER



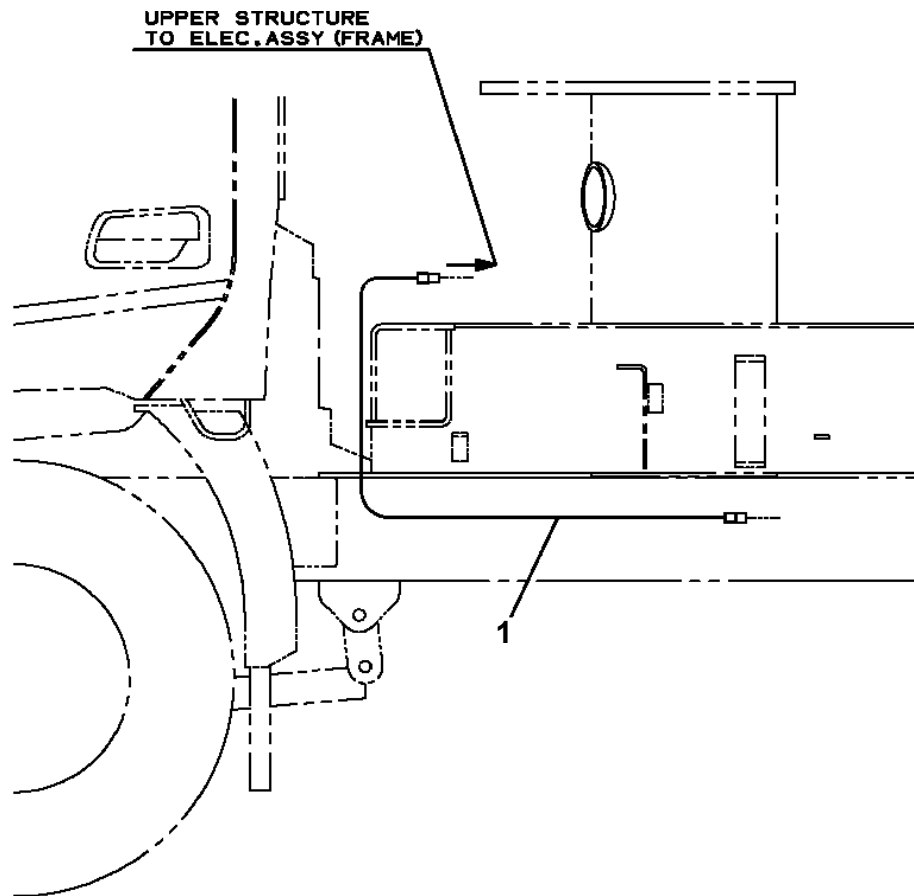
AT-121-2 43007232600 LOWER,HINO TKG-XZU600E-TKTQC6
PH5030429-00 HARNESS



AT-121-2 43007232600 LOWER,HINO TKG-XZU600E-TKTQC6
PI1140165-00 VALVE,CHECK (MORIKAWA GAUGE)

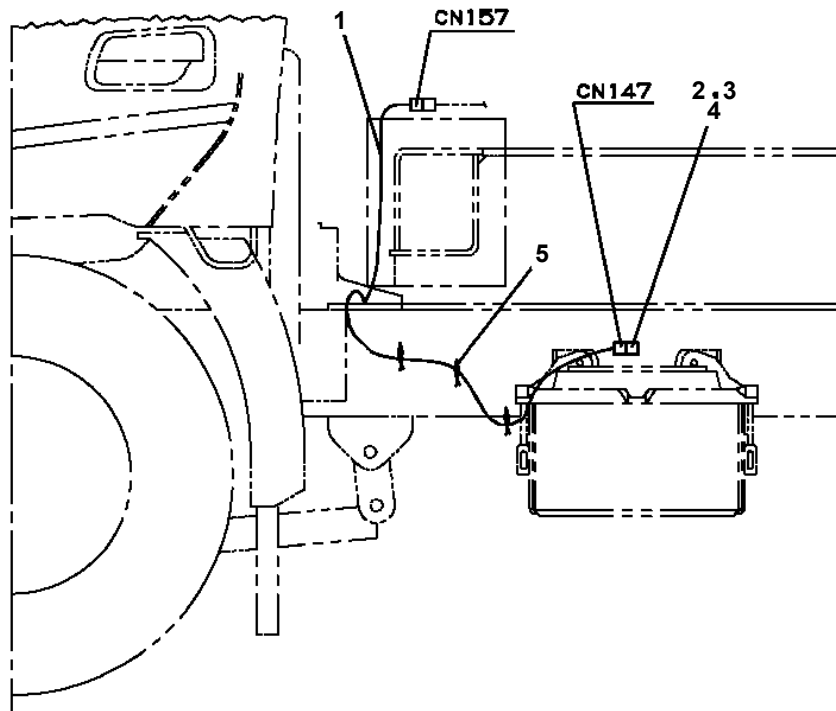


**AT-121-2 43007232600 LOWER, HINO TKG-XZU600E-TKTQC6
PL1031085-00 OPE.ASSY, ACCELERATOR**

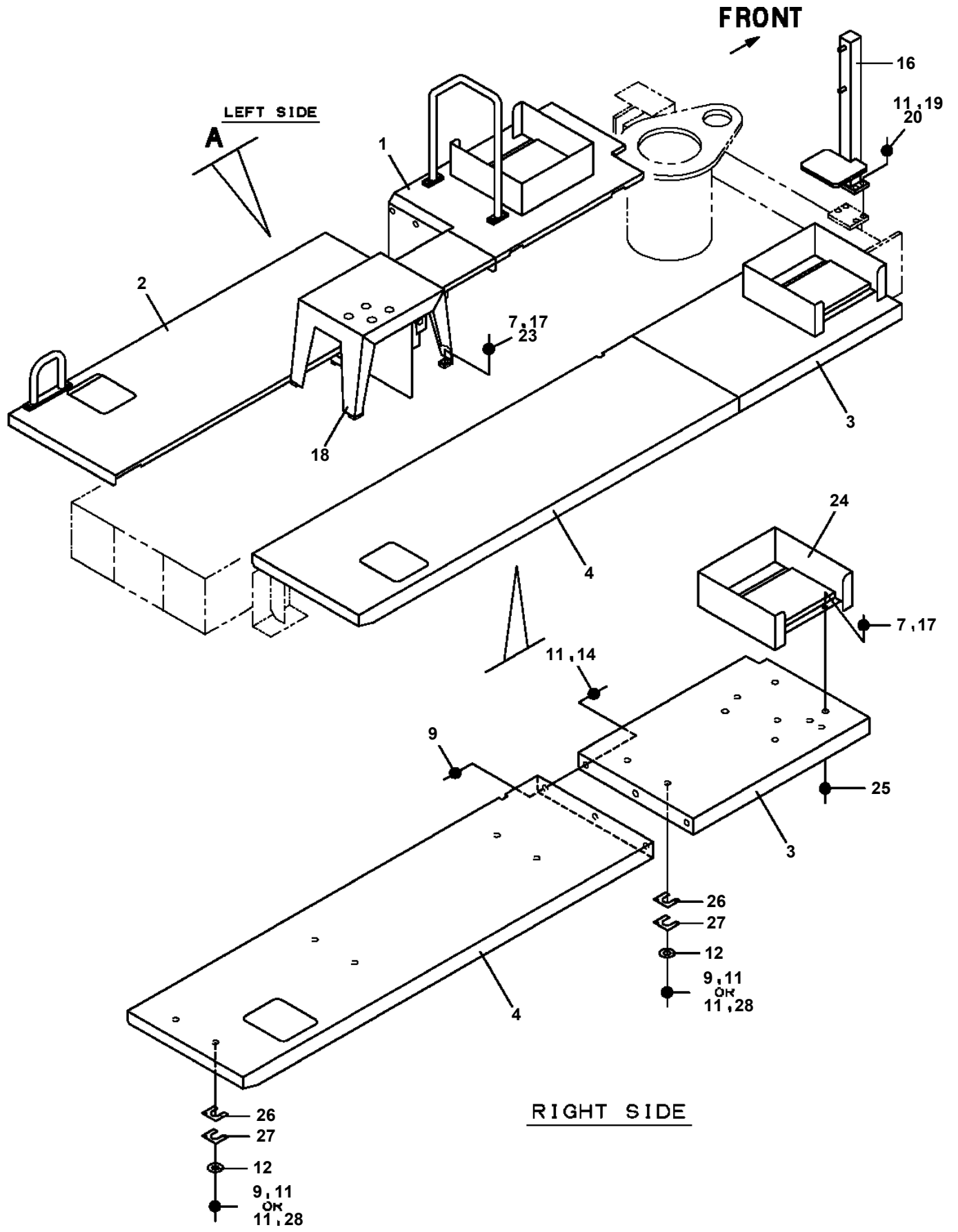


AT-121-2 43007232600 LOWER,HINO TKG-XZU600E-TKTQC6
PN1014832-00 ELEC.ASSY (CARRIER)

FRONT ←



**AT-121-2 43007232600 LOWER,HINO TKG-XZU600E-TKTQC6
PX1030727-00 FENDER**



- 26
- 27
- 12
- 9, 11
- OR
- 11, 28

- 26
- 27
- 12
- 9, 11
- OR
- 11, 28

AT-121-2 43007232600 LOWER,HINO TKG-XZU600E-TKTQC6

| Pos No. | Parts No | Parts Name | Qty | Unit | Technical Data | Serial No (Start) | Serial No (End) | Remarks | Pages |
|---------|-------------|---------------|-----|------|----------------|-------------------|-----------------|---------|--------|
| 1 | 42834261000 | BOX,TOOL | 1 | | | | | | 000038 |
| 2 | 42836301100 | SUPPORT | 2 | | | | | | |
| 3 | 90101210020 | BOLT | 6 | | M10X20 | | | | |
| 4 | 90302041001 | WASHER,SPRING | 14 | | 10 | | | | |
| 5 | 90303071001 | WASHER,PLAIN | 14 | | 10 | | | | |
| 6 | 90101210025 | BOLT | 8 | | M10X25 | | | | |

CLICK HERE TO **DOWNLOAD** THE COMPLETE MANUAL

- Thank you very much for reading the preview of the manual.
- You can download the complete manual from: www.heydownloads.com by clicking the link below



- Please note: If there is no response to CLICKING the link, please download this PDF first and then click on it.

CLICK HERE TO **DOWNLOAD** THE COMPLETE MANUAL