

AT-121-2 43007200050 UPPER

PD2000192-00 SWING UNIT

PG2000251-00 BOOM UNIT

PH1000550-00 SAFETY DEVICES (MOTION CONTROLLER)

PJ3000491-01 BUCKET SYSTEM

PK2000914-00 FRAME UNIT

PO1000149-00 INDICATION PLATES

PW1000109-01 ACCESSORIES & TOOLS

PY1001224-02 OPTIONS,1

PY2000188-00 OPTIONS,2

ASSEMBLY

CLICK HERE TO **DOWNLOAD** THE COMPLETE MANUAL

- Thank you very much for reading the preview of the manual.
- You can download the complete manual from: www.heydownloads.com by clicking the link below



- Please note: If there is no response to CLICKING the link, please download this PDF first and then click on it.

CLICK HERE TO **DOWNLOAD** THE COMPLETE MANUAL

AT-121-2 43007200050 UPPER

Pos No.	Parts No	Parts Name	Qty	Unit	Technical Data	Serial No (Start)	Serial No (End)	Remarks	P
1	(*****)	FRAME	1				HJ1375		00
	(*****)	FRAME	1			HJ1376	HJ1467		00
	(*****)	FRAME	1			HJ1468			00
2	(*****)	OUTRIGGER	1						00
3	(*****)	PIPING,OUTRIGGER	1				HJ1467		00
	(*****)	PIPING,OUTRIGGER	1			HJ1468			00
4	(*****)	OPE.ASSY,CONT.VALVE	1						00
5	(*****)	ELEC.ASSY (FRAME)	1				HJ1375		00
	(*****)	ELEC.ASSY (FRAME)	1			HJ1376			00
6	(*****)	BOOM REST	1						00
7	(*****)	TANK SUPPORT	1						00
9	(*****)	COVER,BEARING (BLUE)	1						00

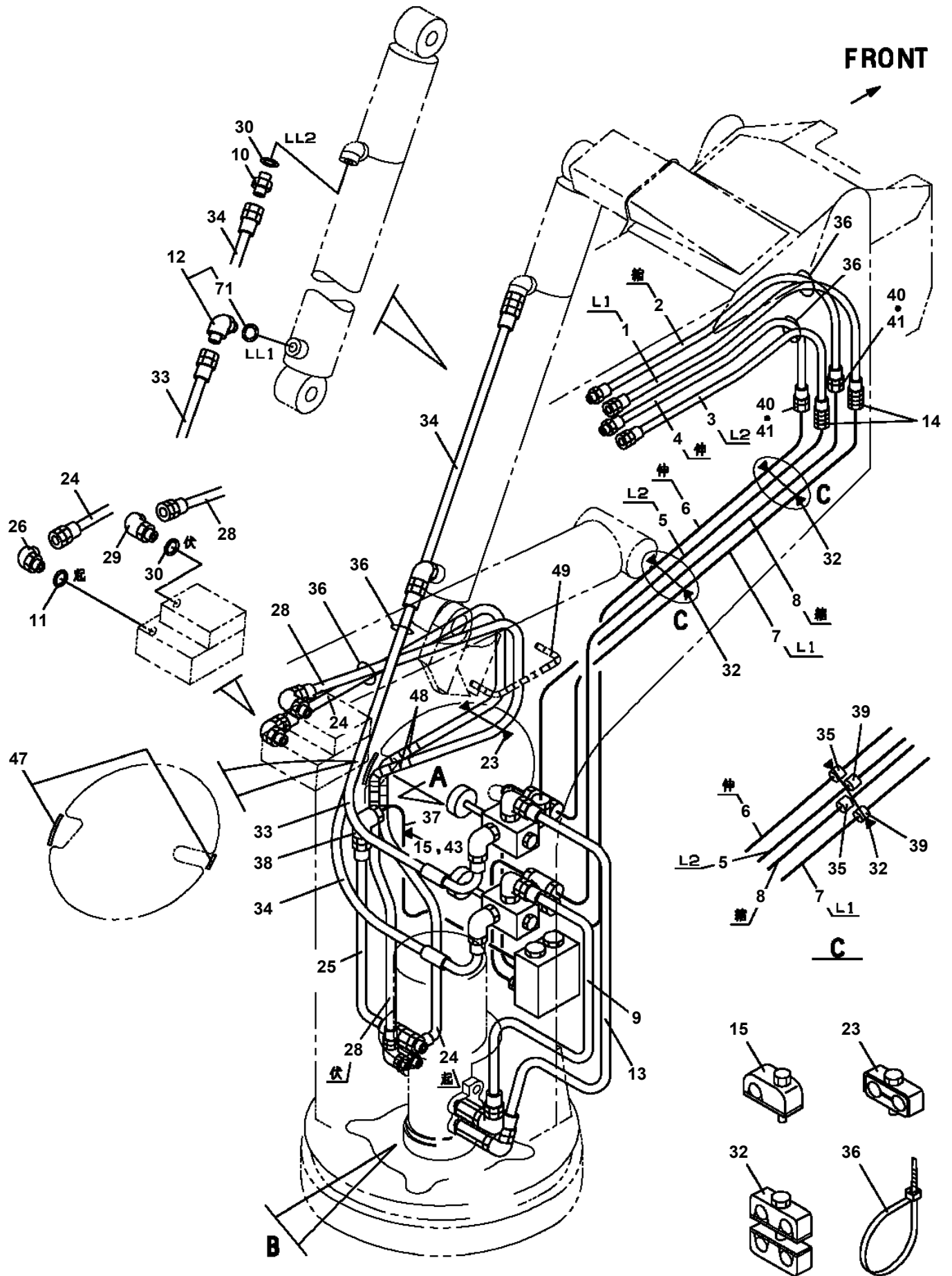
AT-121-2 43007200050 UPPER

PJ3010382-00 BUCKET (WHITE/FOR HARTEC, SINGLE STRAIGHT BUCKET)
PK1011060-02 FRAME (BUCKET)
PK1011188-01 FRAME
PK1011318-00 FRAME
PK1011352-01 FRAME
PK1100451-00 SWING FRAME
PK1100475-00 SWING FRAME
PK1130011-00 COVER,BEARING (BLUE)
PK1230162-00 WEIGHT
PK1230202-01 WEIGHT
PK1330282-03 COVER (BUCKET OR BASKET)
PK1330332-00 COVER (BOOM)
PK1330336-00 COVER (CYLINDER)
PK1330340-00 COVER
PK1330394-01 COVER (BOOM)
PK1330416-00 COVER (BUCKET)
PK1330441-01 COVER (BUCKET OR BASKET)
PL1011119-01 OPE.ASSY,CONT.VALVE
PL1250053-00 VALVE,CONTROL
PL1250078-01 VALVE,CONTROL
PL1920062-03 OPE.ASSY
PL1920074-02 OPE.ASSY (BUCKET)
PL1920083-00 OPE.ASSY
PL1920088-01 OPE.ASSY (BUCKET/2-LEVER,ENABLE SW :IRON PANEL)
PL1920089-00 OPE.ASSY (BUCKET)
PL1920102-01 OPE.ASSY (BUCKET)
PL1920103-01 OPE.ASSY
PL1920106-00 OPE.ASSY
PL5140002-00 LAMP ASSY,WORKING (BUCKET & HOLDER)
PM5230001-01 MOTOR,OIL
PN1013972-04 ELEC.ASSY (BUCKET OR BASKET)
PN1013974-01 ELEC.ASSY (SWING FRAME)
PN1014336-00 ELEC.ASSY (BOOM)
PN1014418-03 ELEC.ASSY
PN1014421-00 ELEC.ASSY (SWING FRAME)
PN1014504-04 ELEC.ASSY (FRAME)
PN1014652-01 ELEC.ASSY (FRAME)
PN1014657-01 ELEC.ASSY (BOOM)
PN1060297-01 SWITCH PANEL
PN1080275-02 LAMP (LIGHTING/LOWER CONTROLS)
PN1080349-02 LAMP (WORKING/100V POWER SUPPLY)
PN1110449-03 RELAY ASSY
PN1110550-00 RELAY ASSY
PN1140153-00 SWITCH ASSY (WITH HARNESS,3 SWITCH)
PN1140155-00 SWITCH ASSY
PN1140179-00 SWITCH ASSY
PN1450010-01 HARNESS
PN1450142-00 HARNESS
PN5010521-00 NAME PLATE ASSY (NON-SLIP/BOOM UPPER)
PN5011039-00 NAME PLATE ASSY (AMC DATA)
PO1013121-01 PLATE ASSY,NAME (HYDRAULIC OIL)
PO1014634-01 PLATE ASSY,NAME (OIL/COLD DISTRICT)
PO1014928-03 PLATE ASSY,NAME (VEHICLE)
PO1015270-01 PLATE ASSY,NAME (BUCKET)
PO1015427-02 PLATE ASSY,NAME (VEHICLE)
PO1015571-00 PLATE ASSY,NAME (NON-SLIP/TOOL BOX EXTENSION STEP)
PO5010004-00 OPE.ASSY
PO5010015-01 OPE.ASSY
PO5270049-00 OUTRIGGER ASSY
PP5450004-00 PUMP,GREASE (400CC)
PS5530089-00 SWITCH ASSY (WITH HARNESS,3 SW)
PV1300020-00 CABLE (3 POLE)
PV5010005-00 VALVE ASSY (JACK CONTROL)
PV5070007-00 VALVE ASSY,COUNTERBALANCE

AT-121-2 43007200050 UPPER

Pos No.	Parts No	Parts Name	Qty	Unit	Technical Data	Serial No (Start)	Serial No (End)	Remarks
2	90101208025	BOLT	3		M8X25			
3	90302040801	WASHER,SPRING	3		8			
4	42442803000	BRUSH ASSY	1					
5	37002458030	HOSE	1		L=890			
6	37002467900	HOSE	2		L=1080			
7	37002439150	HOSE	1		L=1050			
8	91002801100	O-RING	1		1B P11			
9	91002801400	O-RING	4		1B P14			
10	37002454970	HOSE	1		L=1100			
31	42443282100	BODY	1					
32	42443282200	CORE	1					
33	42442802300	PLATE	1					
34	42630461400	FLANGE	1					
35	90172108016	BOLT,HEXAGON SOCKET	6		M8X16			
36	91531208000	PACKING	2					
37	91100308000	RING,SEAL	5					
38	80720105020	PIN,SPRING	1		5X20			
39	31631121300	SUPPORT	1					
40	90171110020	BOLT	4		M10X20			
41	90302041001	WASHER,SPRING	4		10			
101	42443281000	JOINT,ROTARY	1					
102	90171112028	BOLT	2		M12X28			
103	90302041201	WASHER,SPRING	2		12			
104	42442800100	PLATE	1					

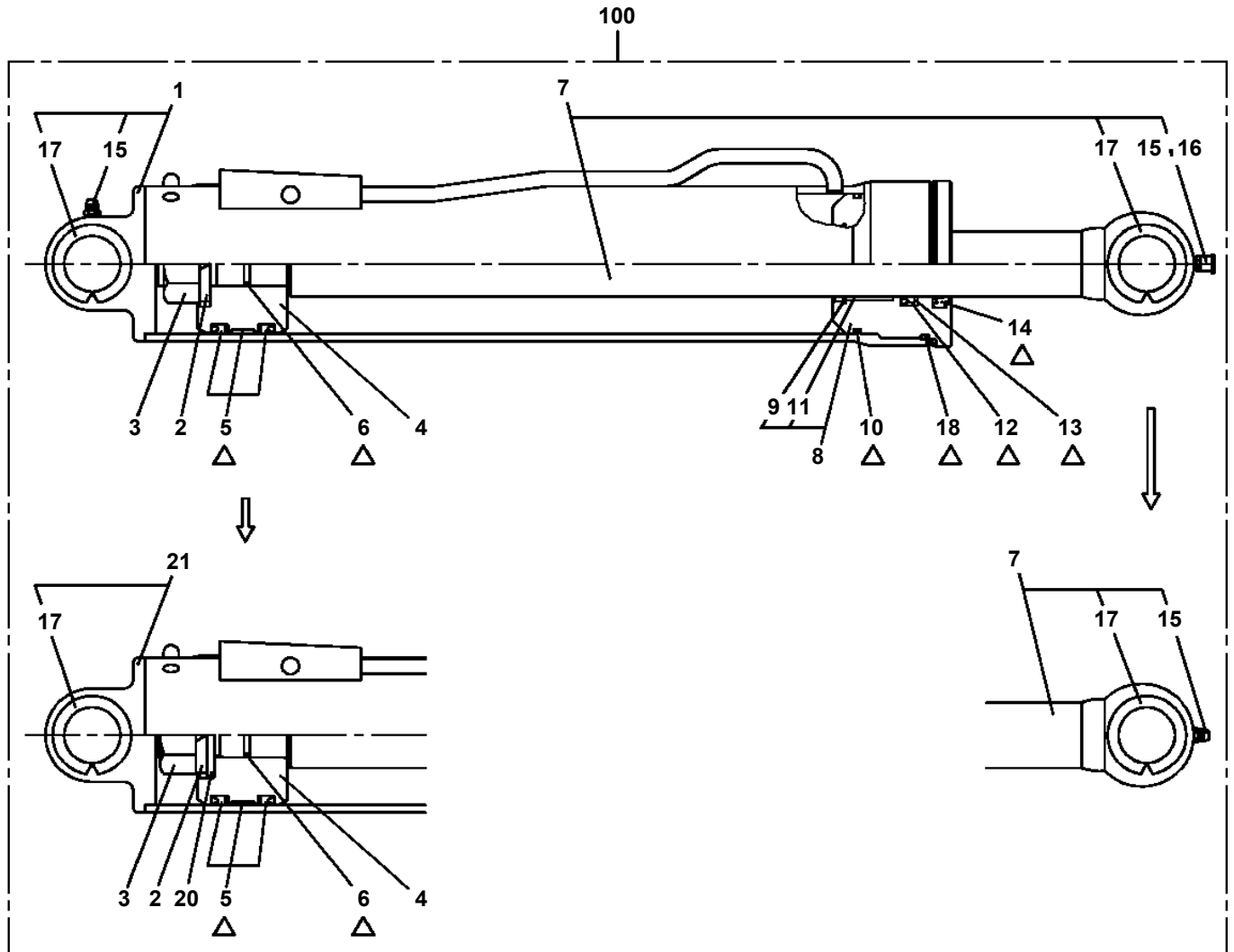
**AT-121-2 43007200050 UPPER
PB1400432-02 PIPING,UPPER**



AT-121-2 43007200050 UPPER

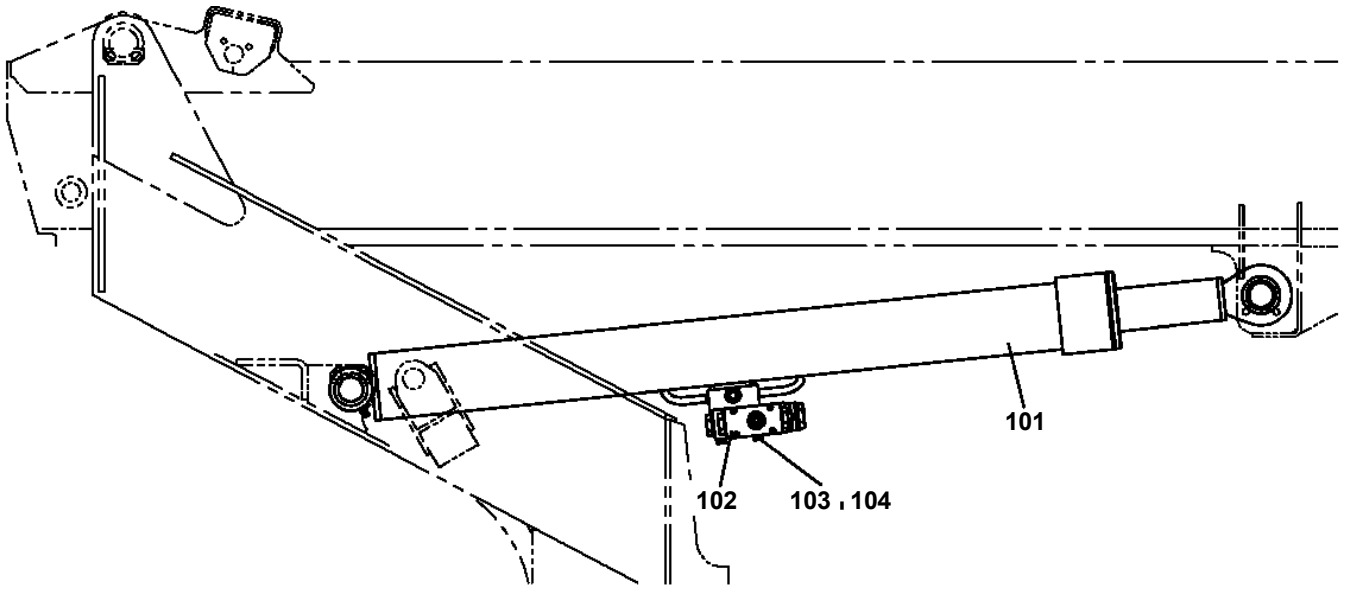
Pos No.	Parts No	Parts Name	Qty	Unit	Technical Data	Serial No (Start)	Serial No (End)	Remarks
1	42613560100	COVER	2					
2	90101208012	BOLT	14		M8X12			
3	90302040801	WASHER,SPRING	14		8			
4	42613560800	COVER	2					
5	42614381001	OUTRIGGER	2				HJ1639	
	42614381002	OUTRIGGER	2			HJ1640	HJ1841	
	42614381002	OUTRIGGER	1			HJ1842		
6	90171116060	BOLT	4		M16X60			
7	90303501601	WASHER,PLAIN	22		16			
8	36036020000	CYLINDER,JACK	2					
9	37000176340	PIN	2					
10	80136380050	PIN,SPLIT	4		8X50		HJ1582	
	80136380045	PIN,SPLIT	4		8X45	HJ1583		
11	36625740001	VALVE,CHECK	2					
12	82100002006	CLAMP	4		WR10			
13	42611720300	FLOAT	2				HJ1639	
	42614520200	FLOAT	2			HJ1640	HJ1841	
14	90172110020	BOLT,HEXAGON SOCKET	4		M10X20			
15	42614000020	PLATE	2				HJ1639	
	42614520010	PLATE	2		T=5	HJ1640		
16	91803601200	CLIP	2		D=90-120			
17	90303070801	WASHER,PLAIN	4		8			
18	82108501250	SWITCH	2					
19	82104501140	SWITCH,LIMIT	2					
20	90172106012	BOLT,HEXAGON SOCKET	4		M6X12			
21	90302040601	WASHER,SPRING	10		6			
22	82100002002	CLAMP	2		WR6			
23	90201200600	NUT	6		M6			
24	42613560400	SUPPORT	2					
25	90171116040	BOLT	8		M16X40			
26	42614000060	PLATE	2		T=12			
27	90171112040	BOLT	4		M12X40			
28	90201781200	NUT	4		M12			
29	90302041201	WASHER,SPRING	4		12			
30	42613560600	SUPPORT	2					
31	90186208010	BOLT,FLANGE	4		M8X10			
32	90201781600	NUT	4		M6			
33	42614383000	OUTRIGGER ASSY	1			HJ1842		
34	90171116035	BOLT	6		M16X35			
35	42614520300	FLOAT (PLATE WORKING)	2			HJ1842		
	42614520500	FLOAT (STEEL CAST)	2			HJ1842		
36	82401800080	PLUG (FOR M8)	4				HJ1841	
	82401800080	PLUG (FOR M8)	2			HJ1842		
37	82401800100	PLUG (FOR M10)	4				HJ1491	
	82401800100	PLUG (FOR M10)	8			HJ1492		
38	91810132530	FASTENER	2					
39	90171108055	BOLT	8		M8X55			
40	42614000080	SUPPORT	2					

**AT-121-2 43007200050 UPPER
PC6400012-01 CYLINDER ASSY,LEVELING**

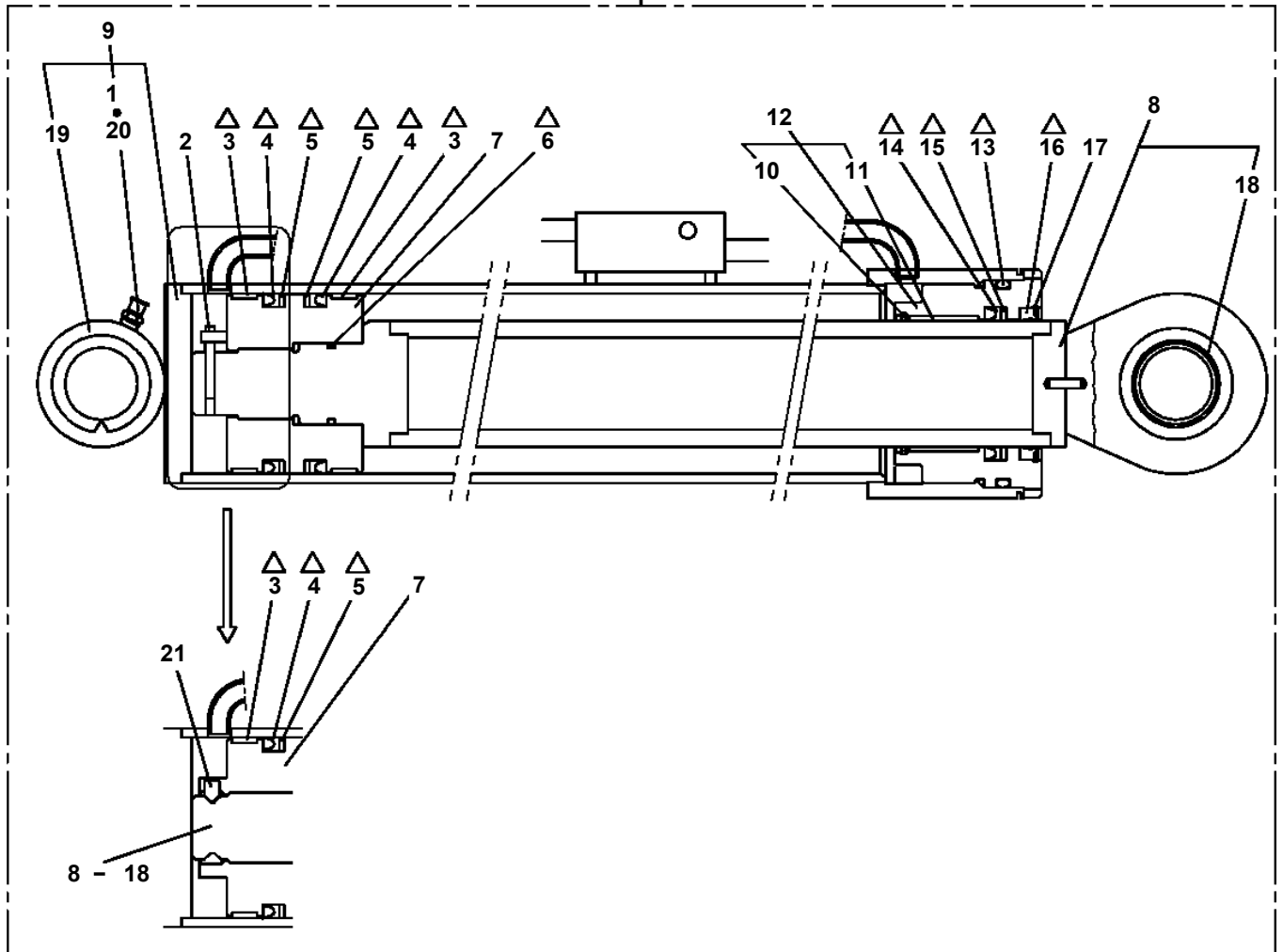


Δ:PACKING SET KEY NO.41 (KEY NO.5,6,10,12,13,14,18)

**AT-121-2 43007200050 UPPER
PE1010477-01 CYLINDER,ELEVATING**

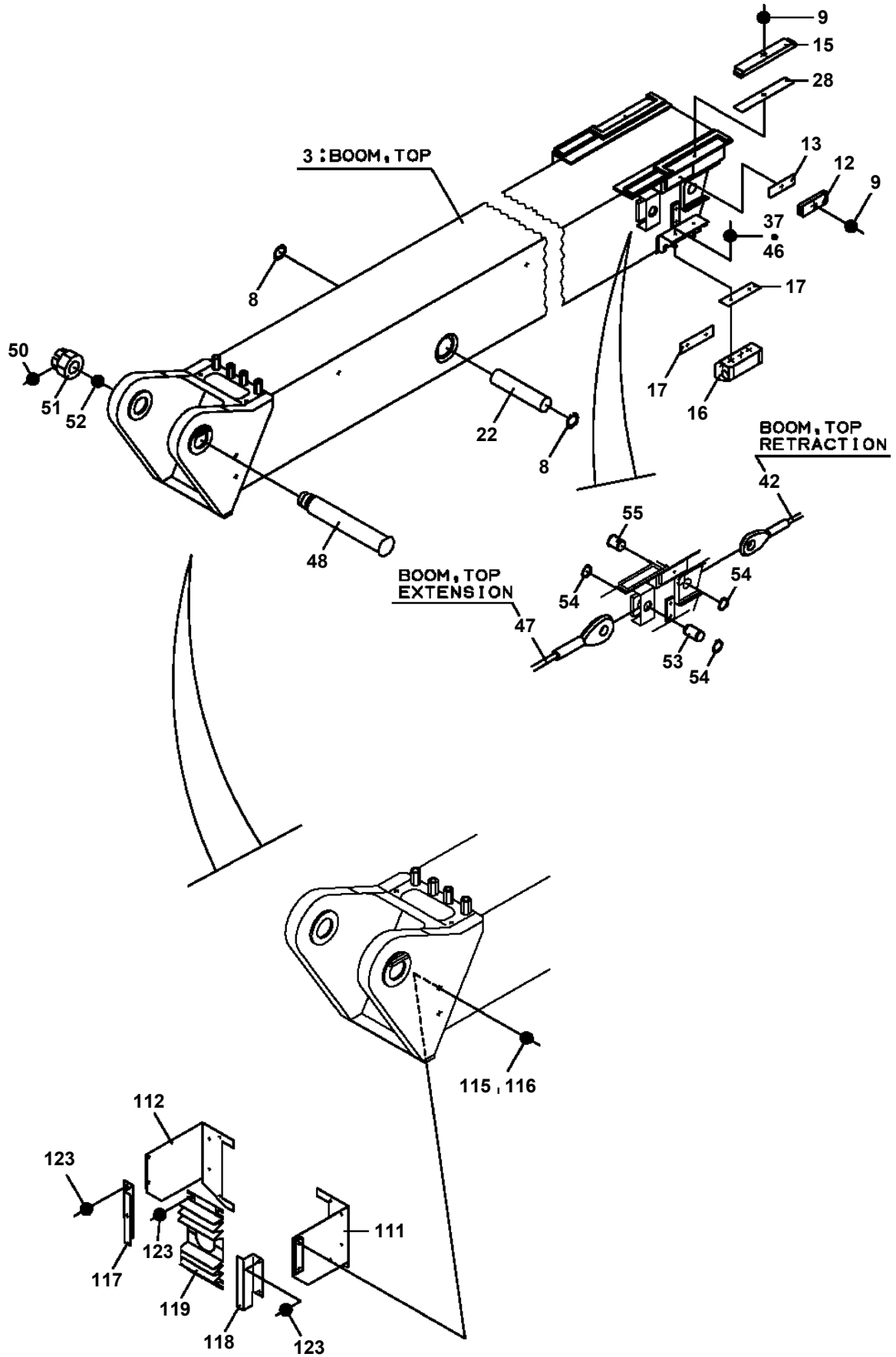


101

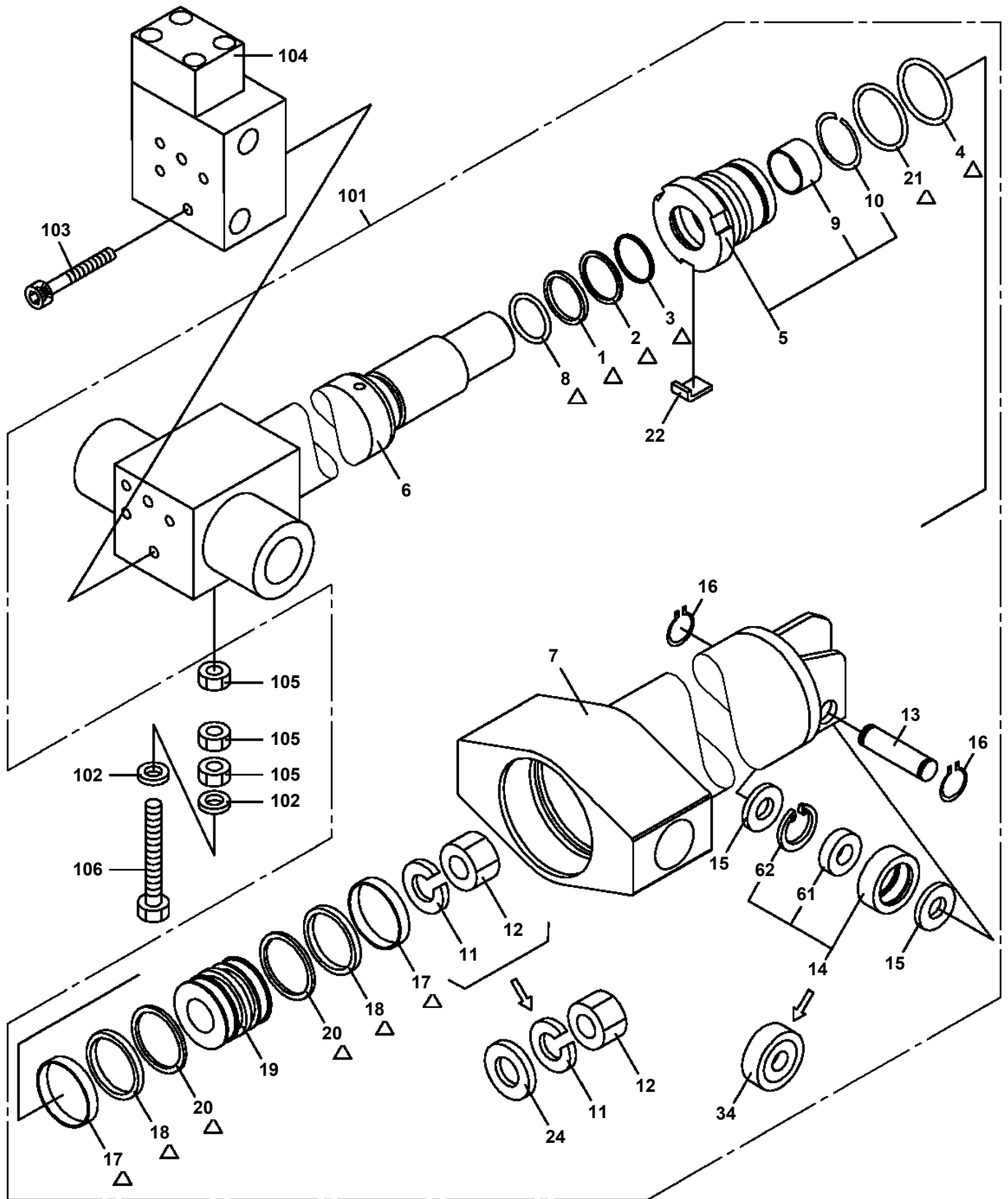


Δ:PACKING SET KEY NO.41 (KEY NO.3,4,5,6,13,14,15,16)

AT-121-2 43007200050 UPPER
PG1010974-03 BOOM



**AT-121-2 43007200050 UPPER
PG1050662-03 CYLINDER,TELESCOPING**



△:PACKING SET KEY NO.41 (KEY NO.1,2,3,4,8,17,18,20,21)



△:PACKING SET KEY NO.42 (KEY NO.1,2,3,4,8,17,18,20,21)



△:PACKING SET KEY NO.43 (KEY NO.1,2,3,4,8,17,18,20,21)

AT-121-2 43007200050 UPPER

Pos No.	Parts No	Parts Name	Qty	Unit	Technical Data	Serial No (Start)	Serial No (End)	Remarks
2	36190191060	BOARD,CIRCUIT	1					
3	36190191070	BOARD,CIRCUIT	1				HJ1332	
	36190191071	BOARD ASSY	1			HJ1333		
4	36190185150	SEAT	1					
5	36190185050	BOX	1					
6	36190185060	PANEL ASSY	1					
7	36190185070	FITTING (SET)	1					
8	36190185080	COVER (SET)	1					
9	36190195020	STAY SET	1					
10	36190185100	FRAME ASSY	1					
11	36191045020	HARNESS ASSY	1					
12	36190185121	HARNESS ASSY	1					
14	36190185160	HARNESS	1					
31	36193215012	BOARD,CPU (WITH DATA)	1				HJ1384	
	36193215013	BOARD,CPU (WITH DATA)	1			HJ1385		
100	36193210000	MOTION CONTROLLER (AMC)	1					

AT-121-2 43007200050 UPPER

Pos No.	Parts No	Parts Name	Qty	Unit	Technical Data	Serial No (Start)	Serial No (End)	Remarks	Pages
1	42502540010	HARNESS	1		L=1300				
	42502540010	HARNESS	1		L=1300				

AT-121-2 43007200050 UPPER

Pos No.	Parts No	Parts Name	Qty	Unit	Technical Data	Serial No (Start)	Serial No (End)	Remarks	Pages
1	42503530100	HARNESS	1						

AT-121-2 43007200050 UPPER

Pos No.	Parts No	Parts Name	Qty	Unit	Technical Data	Serial No (Start)	Serial No (End)	Remarks	Pages
4	36606405050	PLUG	2				HJ1973		
5	91002902500	O-RING	4		1B G25				
6	36606655020	SPRING	2						
7	36606405070	SPACER	2						
8	80316090020	PLUG	2		KKT PT1/8				
10	36606405052	PLUG	2			HJ1974			
51	36606669010	POPPET ASSY	2						
100	36606650000	VALVE,RELIEF	1						

AT-121-2 43007200050 UPPER

Pos No.	Parts No	Parts Name	Qty	Unit	Technical Data	Serial No (Start)	Serial No (End)	Rem
1	36740990000	VALVE,CONTROL	1					
	36742100000	VALVE ASSY (JACK CONTROL)	1			HJ1827	HJ1826	
2	80302090141	FITTING	4		KCO12-020N			
3	91002801100	O-RING	8		1B P11			
4	80302090231	FITTING	1		KCO18-030N			
5	91002801400	O-RING	2		1B P14			
6	80303130181	FITTING,ELBOW	1		KLO15-030E			
7	80400160129	JOINT	1					
8	42343356020	FITTING	4		S,G1/4-12			
9	42645290500	ORIFICE	4		1.6			
21	91002801400	O-RING	1		1B P14			

AT-121-2 43007200050 UPPER

Pos No.	Parts No	Parts Name	Qty	Unit	Technical Data	Serial No (Start)	Serial No (End)	R
1	42266920101	BUCKET (WHITE/WITHOUT BOSS)	1					

CLICK HERE TO **DOWNLOAD** THE COMPLETE MANUAL

- Thank you very much for reading the preview of the manual.
- You can download the complete manual from: www.heydownloads.com by clicking the link below



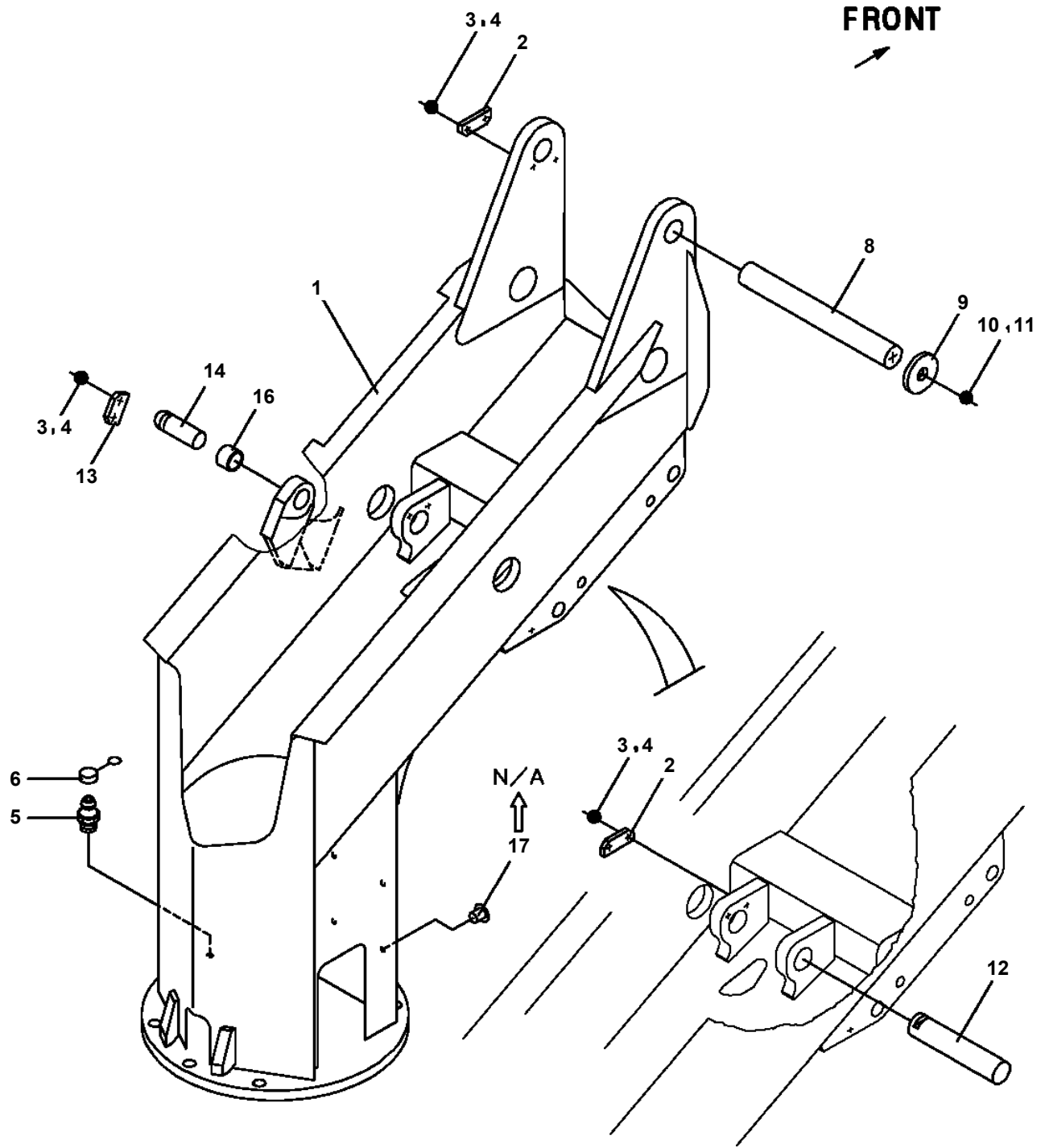
- Please note: If there is no response to CLICKING the link, please download this PDF first and then click on it.

CLICK HERE TO **DOWNLOAD** THE COMPLETE MANUAL

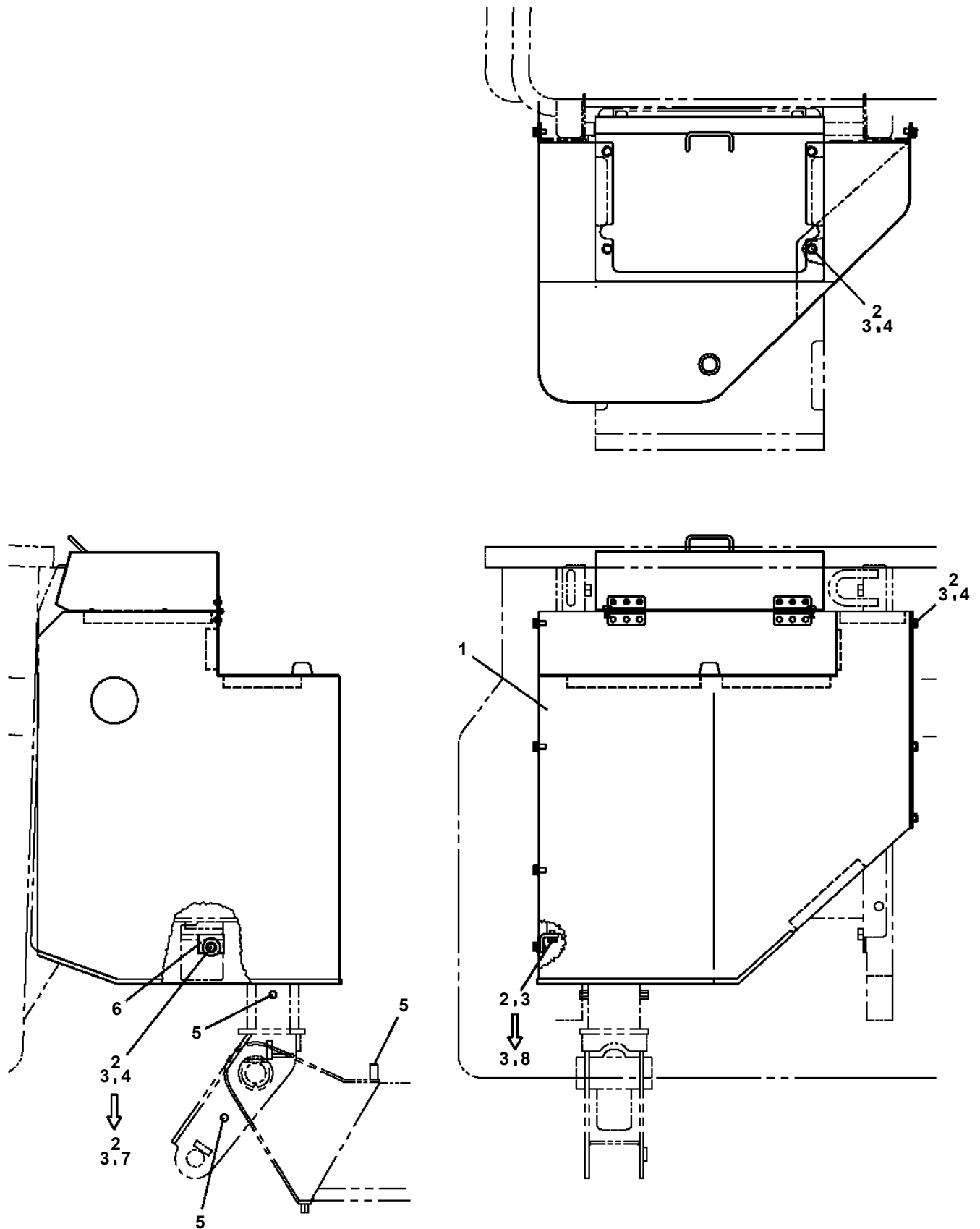
AT-121-2 43007200050 UPPER

Pos No.	Parts No	Parts Name	Qty	Unit	Technical Data	Serial No (S
1	(*****)	BUCKET (SI,WHITE/WITH INNER)	1			
2	(*****)	ACCESSORIES (MAT/FOR SI BUCKET)	1			
3	(*****)	MOUNT	1			
4	(*****)	PLATE ASSY,NAME (NON-SLIP/TOOL BOX EXTENSION STEP)	1			

**AT-121-2 43007200050 UPPER
PK1100451-00 SWING FRAME**



AT-121-2 43007200050 UPPER
 PK1330282-03 COVER (BUCKET OR BASKET)



展開図有
 ILLUSTRATED BREAKDOWN NO. 1

AT-121-2 43007200050 UPPER

Pos No.	Parts No	Parts Name	Qty	Unit	Technical Data	Serial No (Start)	Serial No (End)	Remarks	Pages
1	42442880101	COVER	1						
2	42443270200	COVER	1						
4	90186208014	BOLT,FLANGE	14		M8X14				
6	90303070801	WASHER,PLAIN	14		8				
7	82100000952	GROMMET	5						
8	42442790403	COVER	1						
23	82400000200	GROMMET	1		KG-012,L=250		HJ1923		

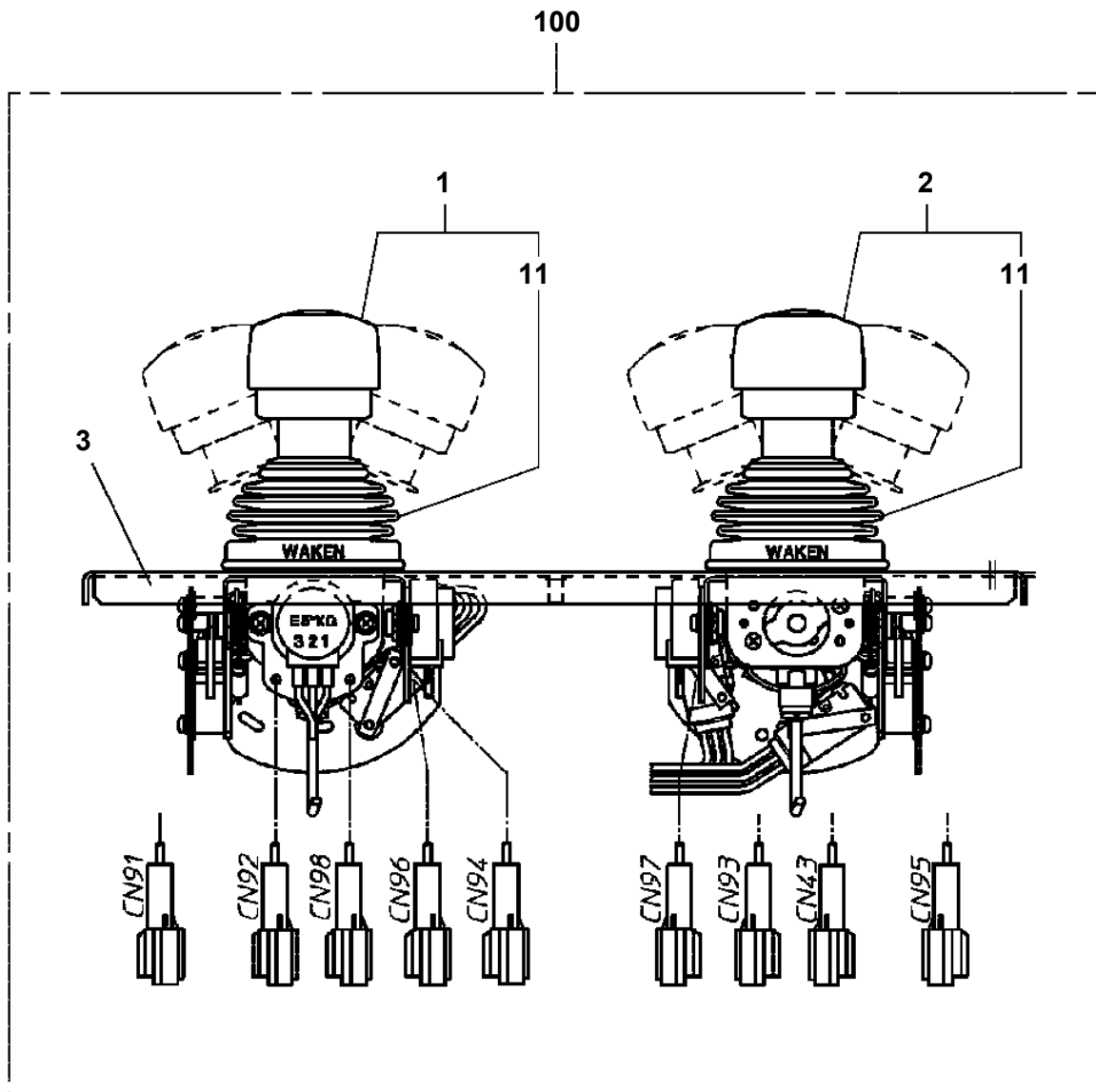
AT-121-2 43007200050 UPPER

Pos No.	Parts No	Parts Name	Qty	Unit	Technical Data	Serial No (Start)	Serial No (End)	Remarks
2	36740995010	VALVE,SOLENOID	1					
3	36740995020	VALVE,RELIEF	1					
4	36740995030	VALVE,SOLENOID	4					
5	36648435040	BOLT,HEXAGON SOCKET	4		M5X90			
6	36648435050	BOLT,HEXAGON SOCKET	16		M5X50			
9	36649725030	PLUG	2					
10	36649725040	O-RING	2					
11	36649725050	PLUG	1					
12	36649725060	O-RING	1					
100	36740990000	VALVE,CONTROL	1					

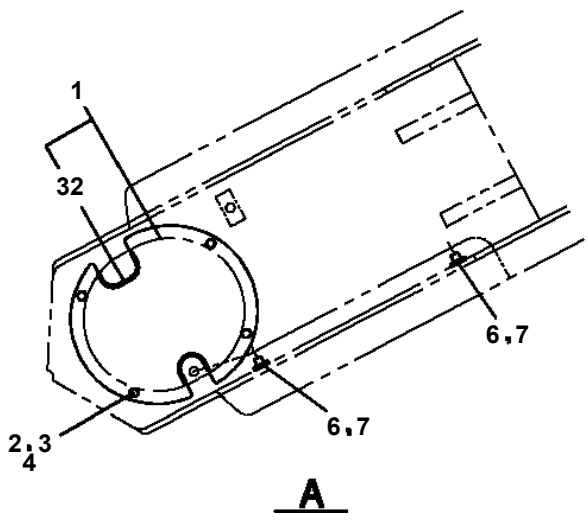
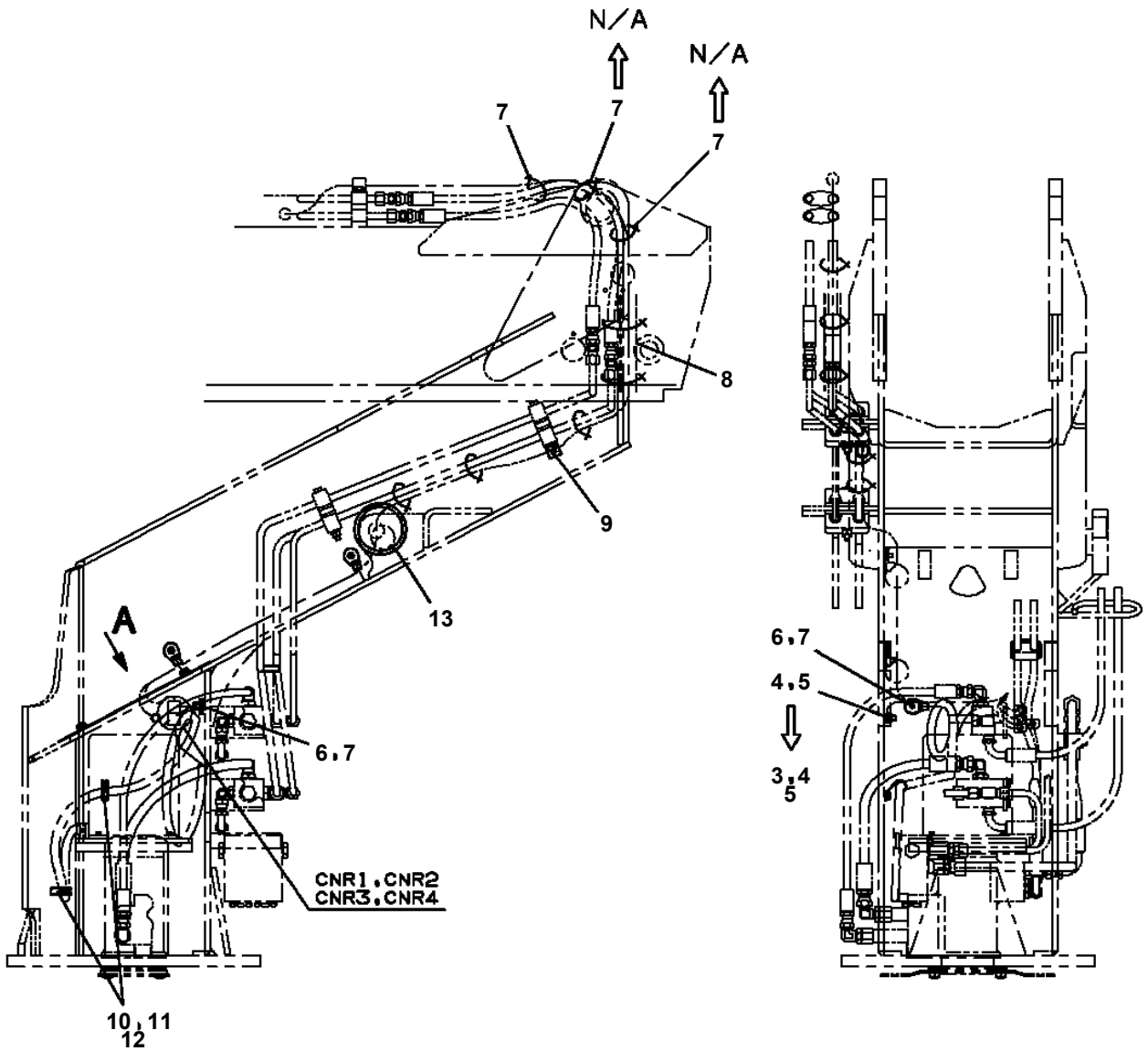
AT-121-2 43007200050 UPPER

Pos No.	Parts No	Parts Name	Qty	Unit	Technical Data	Serial No (Start)	Serial No (End)	Rema
2	42332892500	OPE.ASSY	1					
7	42332507571	BOARD,CIRCUIT (WITH DATA)	1					
8	42332503060	ELEC.ASSY	1					
20	42332892050	HARNESS	1					
100	42332892000	OPE.ASSY	1					

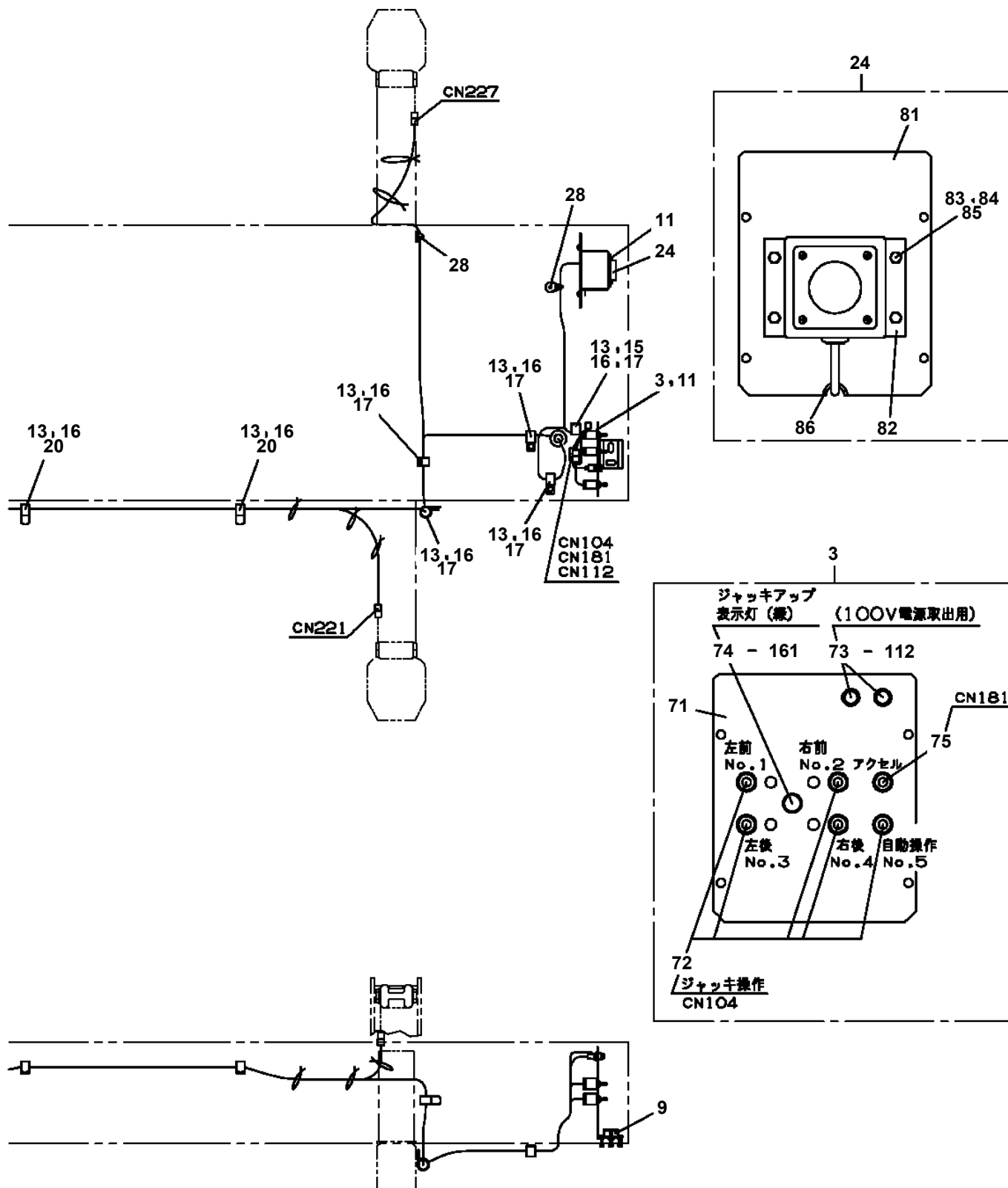
AT-121-2 43007200050 UPPER
PL1920103-01 OPE.ASSY



**AT-121-2 43007200050 UPPER
PN1013974-01 ELEC.ASSY (SWING FRAME)**



AT-121-2 43007200050 UPPER
 PN1014504-04 ELEC.ASSY (FRAME)



REAR SIDE

AT-121-2 43007200050 UPPER

Pos No.	Parts No	Parts Name	Qty	Unit	Technical Data	Serial No (Start)	Serial No (End)
1	42653633102	PANEL	1				
2	42653363200	SWITCH ASSY	1				
3	42474471150	HOLDER ASSY(FUSE,WITH HARNESS)	2				
4	42650551130	LAMP ASSY (GREEN)	1				
5	42355641400	SWITCH ASSY	1				
22	82100001348	FUSE	2		15A,6.5X30		
31	82100005005	LENS (GREEN)	1				
50	42653633002	SWITCH PANEL	1				

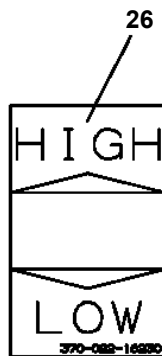
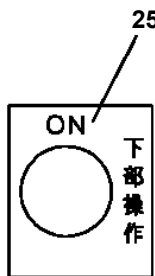
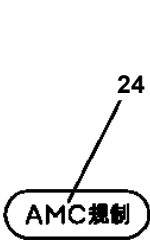
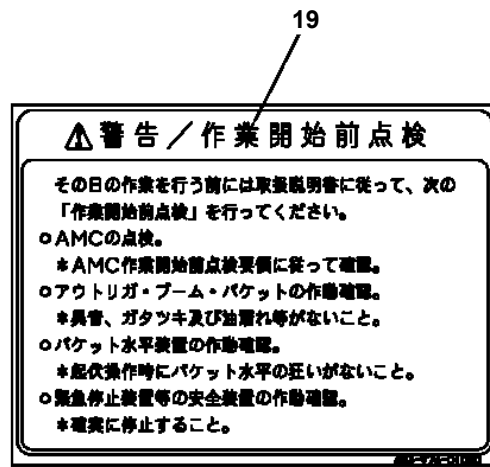
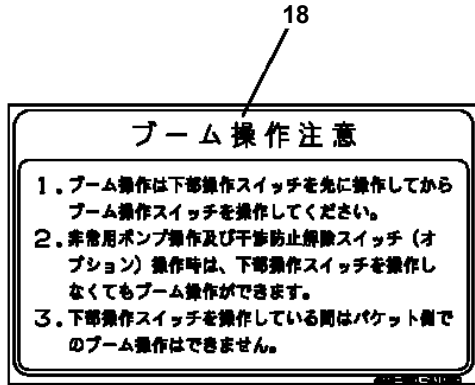
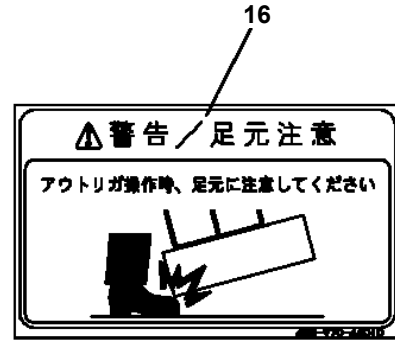
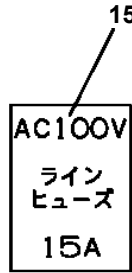
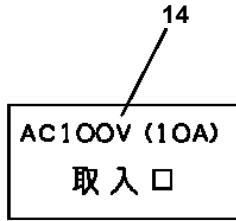
AT-121-2 43007200050 UPPER

Pos No.	Parts No	Parts Name	Qty	Unit	Technical Data	Serial No (Start)	Serial No
1	82105221286	SWITCH,TOGGLE	3				
30	42354541400	SWITCH ASSY (WITH HARNESS,3 SWITCH)	1				

AT-121-2 43007200050 UPPER

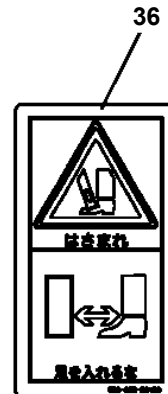
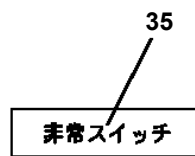
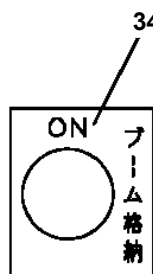
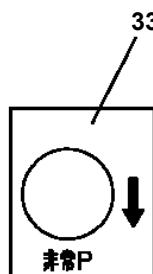
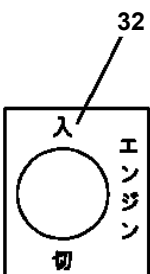
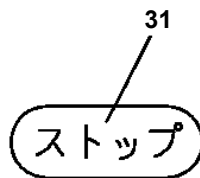
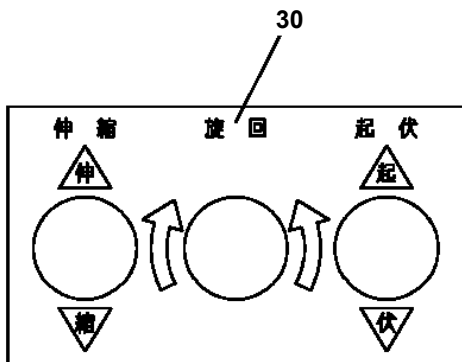
Pos No.	Parts No	Parts Name	Qty	Unit	Technical Data	Serial No (Start)	Serial No (End)	Remarks	Pages
1	42393312020	PLATE (NON-SLIP)	2						

AT-121-2 43007200050 UPPER
PO1014928-03 PLATE ASSY,NAME (VEHICLE)



28

附属機器取付部品表 (部品名)		
部品名	部品名	部品名
ブームスライフプレート	PA, PE, POM	
ブームスライフローラ	PA	
ブームケーブル	PA	
鋼線ロープ	ABB	
ブームスライフプレート	PA	
ケーブル・ホース	PA, PE, PP	
ワイヤロープ	PA	
タイヤ	鋼線ブレード	
100V電源ケーブル	ABB	3720P
急停止装置ケーブル	PVC, PA	
急停止装置ケーブル	ABB	



AT-121-2 43007200050 UPPER

Pos No.	Parts No	Parts Name	Qty	Unit	Technical Data	Serial No (Start)	S
3	90451700100	SCREW,TAPPING	4		M4X6.4		
4	37002212700	PLATE,NAME	1				
5	42397401010	PLATE,NAME (FUSE)	1				
6	42397401020	PLATE,CAUTION (EMERGENCY SWITCH)	1				
7	42394441050	PLATE,CAUTION	1				
9	42397981020	PLATE,NAME	1				
10	42397401050	PLATE,NAME (EMERGENCY STOP OPERATION)	1				
11	42396161020	PLATE,CAUTION	1				
13	42397401060	PLATE,CAUTION (BUCKET HORIZONTAL ADJUST)	1				
14	42477640090	PLATE,NAME (AC100V)	1				
15	42477762010	PLATE,NAME	1				
16	42397044010	PLATE,CAUTION	1				
17	42394484020	PLATE (NON-SLIP)	2				
18	42398131050	PLATE,NAME	1				
19	42397401080	PLATE,CAUTION (PREOPERATION CHECK)	1				
20	34393926550	PLATE (NON-SLIP)	2				
21	42834433300	PLATE (NON-SLIP)	2				
22	12117140000	PLATE,NAME (GREASE)	11				
23	42392350070	PLATE,CAUTION	1				
24	42396112020	PLATE,NAME	1				
25	42502392020	PLATE,NAME	1				
26	37002216230	PLATE,NAME (HIGH/LOW)	1				
27	42391163120	PLATE,NAME	2				
28	37002226560	PLATE,NAME	1				
30	42398131030	PLATE,NAME	1				
31	42331782100	PLATE,NAME	1				
32	42331782090	PLATE,NAME	1				
33	42397981030	PLATE,NAME	1				
34	42397401090	PLATE,NAME	1				
35	42396162040	PLATE,NAME	1				
36	37002220430	PLATE,CAUTION	2				
37	42391720040	PLATE,CAUTION	1				
38	42396111040	PLATE (NON-SLIP)	1				
39	34393926540	PLATE (NON-SLIP)	2				
40	42393312020	PLATE (NON-SLIP)	2				
	42397246010	PLATE (NON-SLIP)	2			HJ1992	
41	42396641010	PLATE,NAME (AT-121TT)	1				
42	37002202030	PLATE,NAME	2				
43	42394191130	PLATE,CAUTION	2				
44	42397982010	PLATE,NAME	1				
45	42397982020	PLATE,NAME (EMERGENCY PUMP OPERATION)	2				
46	42396112010	PLATE,NAME	1				
47	42397982030	PLATE,NAME (OVERHEAD HAZARD)	1				
48	42503880010	PLATE,CAUTION	1				
49	42397401200	PLATE,NAME (CAUTION FOR TRAVELING)	2				
50	42397401210	PLATE,NAME (TOOL BOX)	2				
71	37002228460	PLATE,NAME (BLUE & BLACK)	2				
72	37002228470	PLATE,NAME (WHITE & WHITE)	2				

AT-121-2 43007200050 UPPER

Pos No.	Parts No	Parts Name	Qty	Unit	Technical Data	Serial No (Start)	Serial No (End)	Remarks
1	37004100040	PUMP,GREASE (DOMESTIC)	1					

AT-121-2 43007200050 UPPER

Pos No.	Parts No	Parts Name	Qty	Unit	Technical Data	Serial No (Start)	Serial No (End)	Remarks
1	42470343000	MAT (FOR BUCKET INNER)	1					

AT-121-2 43007200050 UPPER

Pos No.	Parts No	Parts Name	Qty	Unit	Technical Data	Serial No (Start)	Serial No (End)
1	42460012540	WEDGE (STOPPER FOR TIRE/NAKAMURA KIKI)	1				

AT-121-2 43007200050 UPPER

Pos No.	Parts No	Parts Name	Qty	Unit	Technical Data	Serial No (Start)	Serial No (End)	Remarks	Pages
1	42501680100	BOX,TOOL	1						
2	42501680200	PLATE	1						
3	90183112025	BOLT	3		M12X25				

CLICK HERE TO **DOWNLOAD** THE COMPLETE MANUAL

- Thank you very much for reading the preview of the manual.
- You can download the complete manual from: www.heydownloads.com by clicking the link below



- Please note: If there is no response to CLICKING the link, please download this PDF first and then click on it.

CLICK HERE TO **DOWNLOAD** THE COMPLETE MANUAL