

**AT-121-2 43007231000 LOWER,HINO BDG-XZU304E-TKTQB6**

PB3000174-00 POWER UNIT  
PO1000171-00 INDICATION PLATES  
PX2000891-00 CARRIER UNIT  
PX3000463-00 MOUNTING UNIT  
PY1001110-02 OPTIONS  
ASSEMBLY

CLICK HERE TO **DOWNLOAD** THE COMPLETE MANUAL

- Thank you very much for reading the preview of the manual.
- You can download the complete manual from: [www.heydownloads.com](http://www.heydownloads.com) by clicking the link below



- Please note: If there is no response to CLICKING the link, please download this PDF first and then click on it.

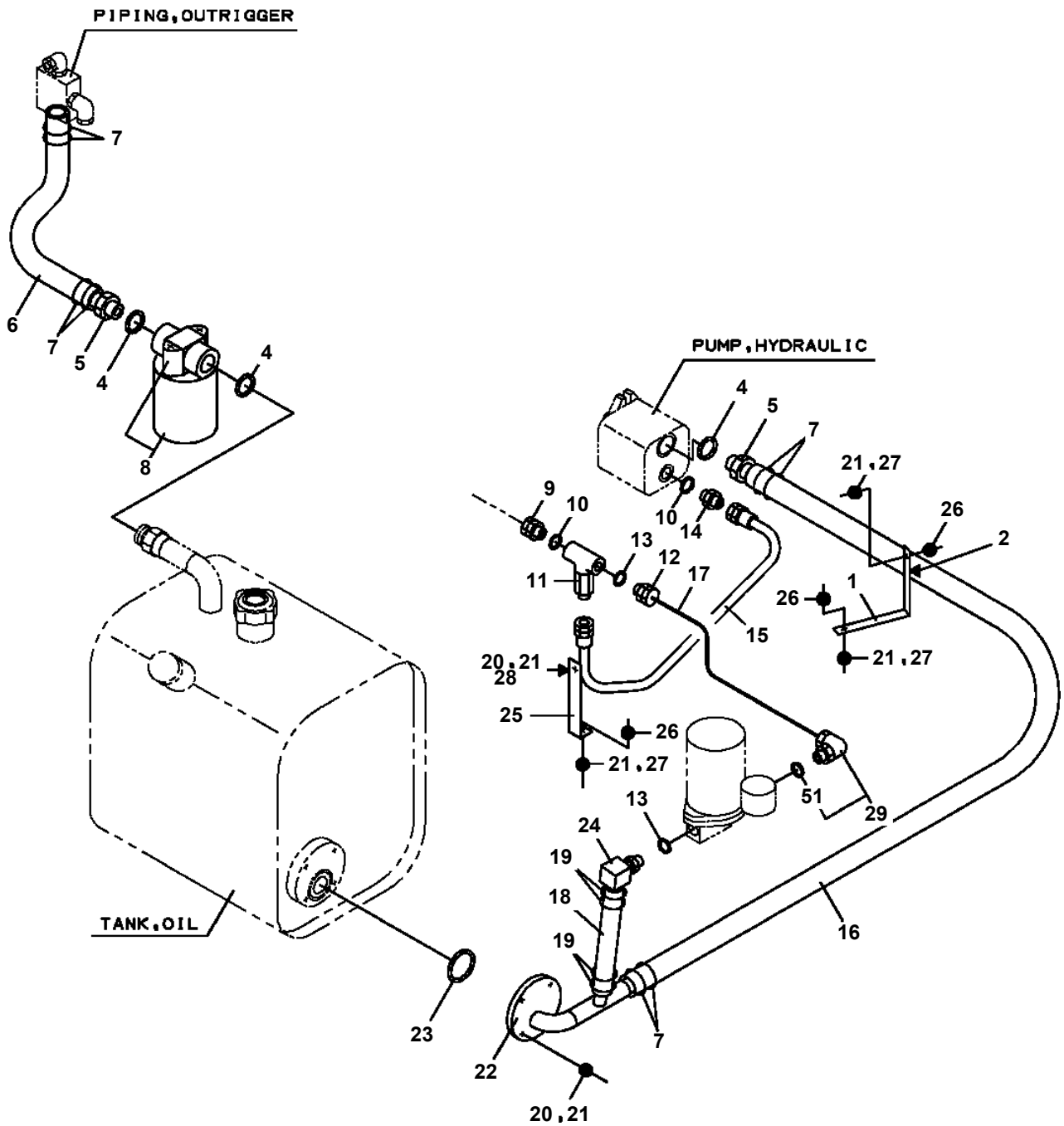
CLICK HERE TO **DOWNLOAD** THE COMPLETE MANUAL

## **AT-121-2 43007231000 LOWER,HINO BDG-XZU304E-TKTQB6**

PB1100101-02 PUMP,HYDRAULIC (EMERGENCY)  
PB1100277-01 PUMP,HYDRAULIC  
PB1110007-01 PUMP INSTALLATION  
PB1110025-04 MOUNT,PUMP (EMERGENCY)  
PB1110058-01 MOUNT,PUMP (EMERGENCY)  
PB1411861-00 PIPING,LOWER  
PH5031304-00 HARNESS  
PH5034175-00 HARNESS  
PH5034401-00 HARNESS  
PH5034644-00 HARNESS  
PI1140165-00 VALVE,CHECK (MORIKAWA GAUGE)  
PI1140167-00 VALVE,CHECK (UZUMAKI)  
PI1300061-02 FILTER,OIL (YAMASHIN)  
PK1180033-00 DECK (150KG)  
PK1230164-03 WEIGHT  
PL1031085-00 OPE.ASSY,ACCELERATOR  
PN1013988-05 ELEC.ASSY (BATTERY & EMERGENCY PUMP)  
PN1014347-00 ELEC.ASSY (CARRIER)  
PN1350026-01 REEL,CORD (FOR EARTHING)  
PO1013833-01 PLATE ASSY,NAME (VEHICLE HEIGHT)  
PO1014811-00 PLATE ASSY,NAME (100KG)  
PP5500003-00 PUMP,OIL (32CC:L)  
PX1030681-01 FENDER  
PX1030720-02 FENDER  
PX1030727-00 FENDER  
PX1170759-00 ATTACHMENT PARTS,CRANE FRAME  
PX1200631-00 SIDE GUARD  
PX1200665-00 SIDE GUARD  
PX1210141-00 GUARD (770X670X200/WITH HOOK)  
PX1310298-02 MOUNT,LAMP (TAIL)  
PX1350523-02 BOX,TOOL  
PX1351010-00 BOX,TOOL (RIGHT SINGLE)  
PX1390889-00 MODIFICATION PARTS  
PX1410202-03 MOUNT,TIRE  
PX1830015-00 COUPLING  
PY1650110-00 EARTHING DEVICE

AT-121-2 43007231000 LOWER,HINO BDG-XZU304E-TKTQB6  
PB1411861-00 PIPING,LOWER

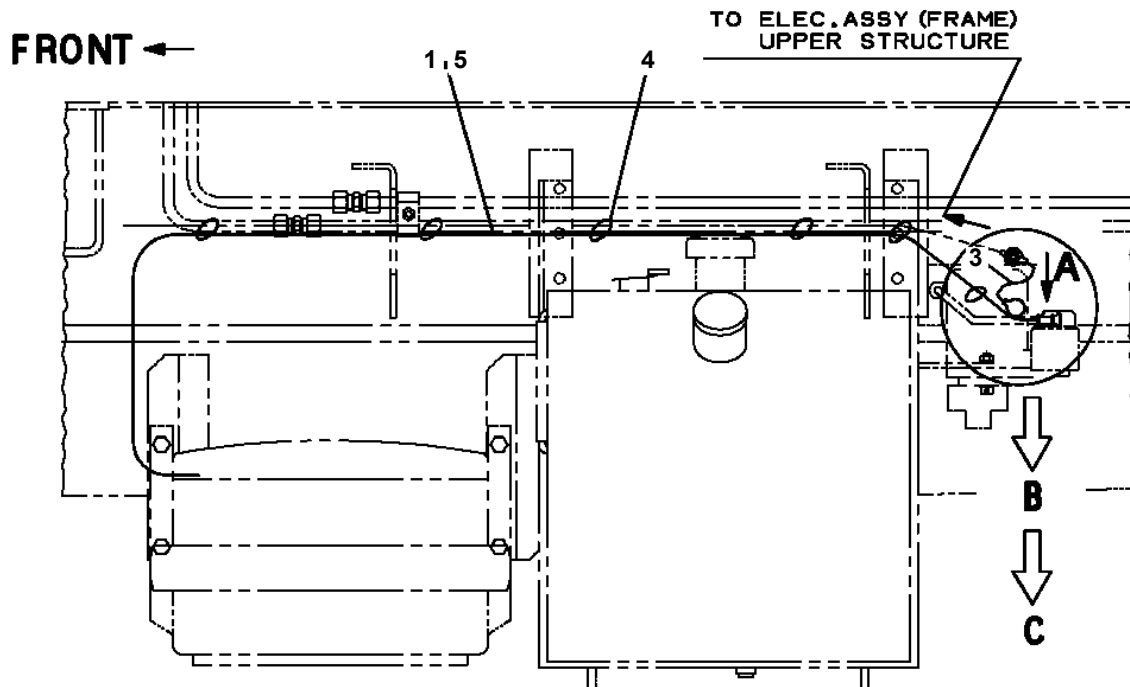
FRONT



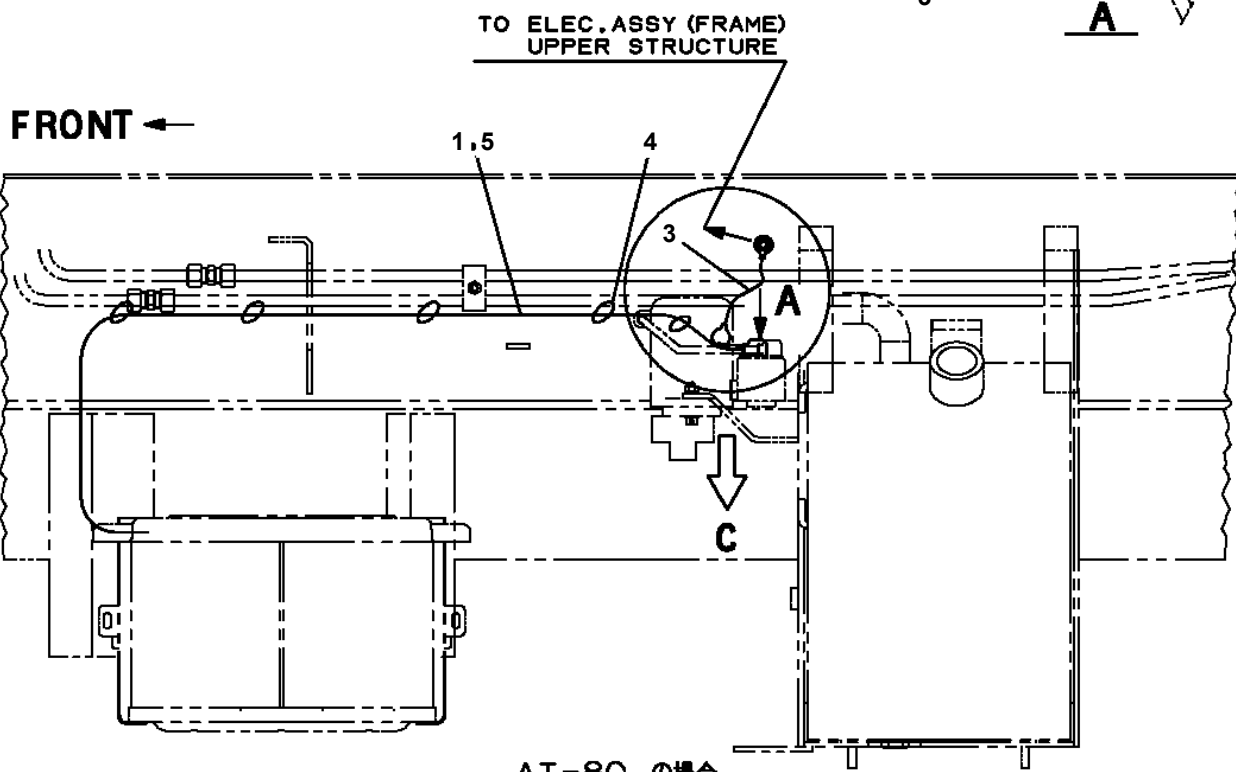
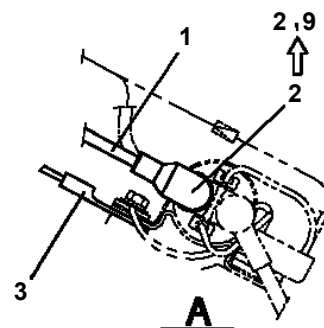
# AT-121-2 43007231000 LOWER,HINO BDG-XZU304E-TKTQB6

Pos No.	Parts No	Parts Name	Qty	Unit	Technical Data	Serial No (Start)	Serial No (End)
3	36625205020	SPRING	1				
4	36625245010	PLUG	1				
5	91002801800	O-RING	1		1B P18		
50	36625240000	VALVE,CHECK (MORIKAWA GAUGE)	1				

AT-121-2 43007231000 LOWER, HINO BDG-XZU304E-TKTQB6  
 PN1013988-05 ELEC. ASSY (BATTERY & EMERGENCY PUMP)

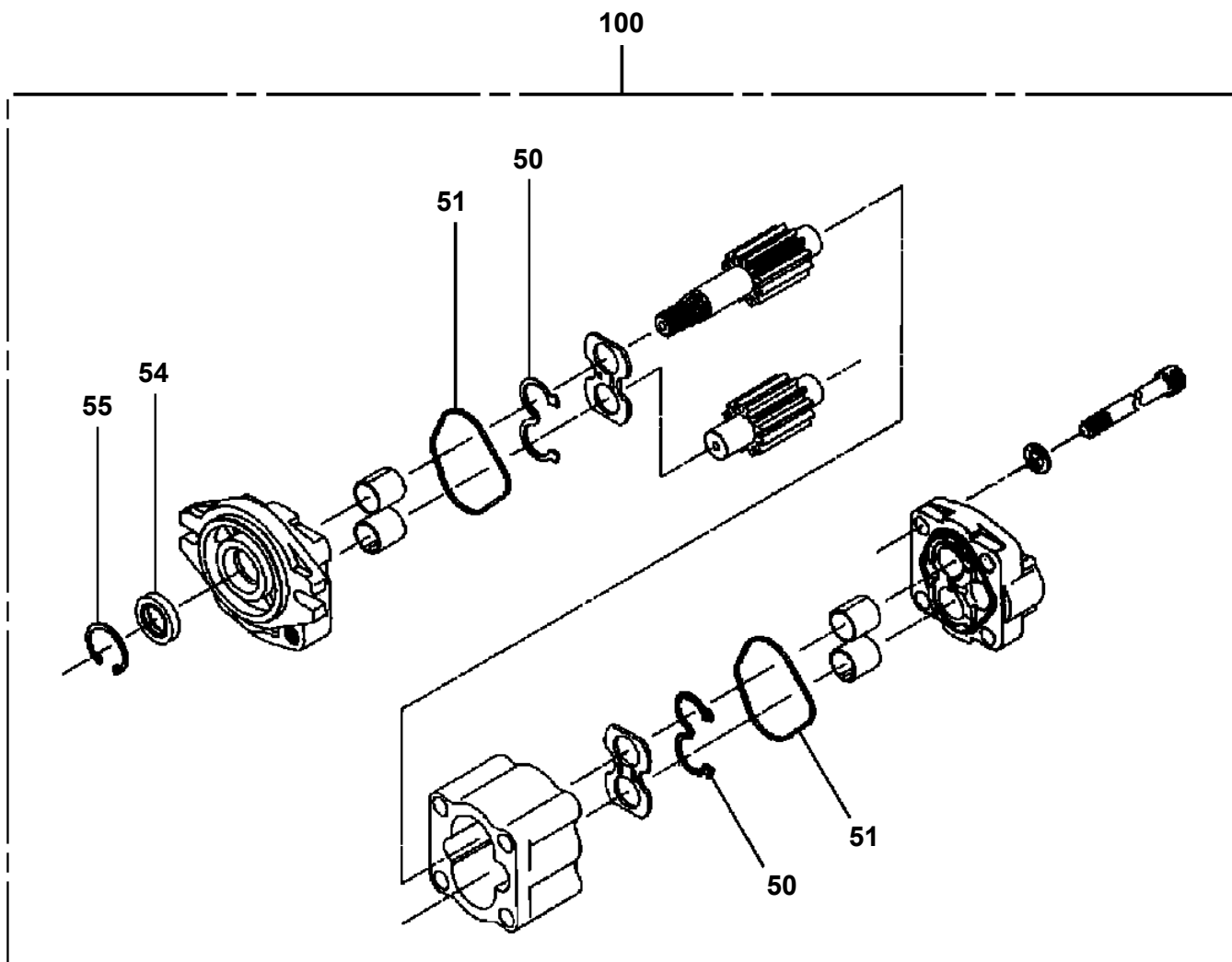


AT-100-4, AT-100-5  
 AT-110-4, AT-110-5  
 AT-121-2, AT-121-3 の場合

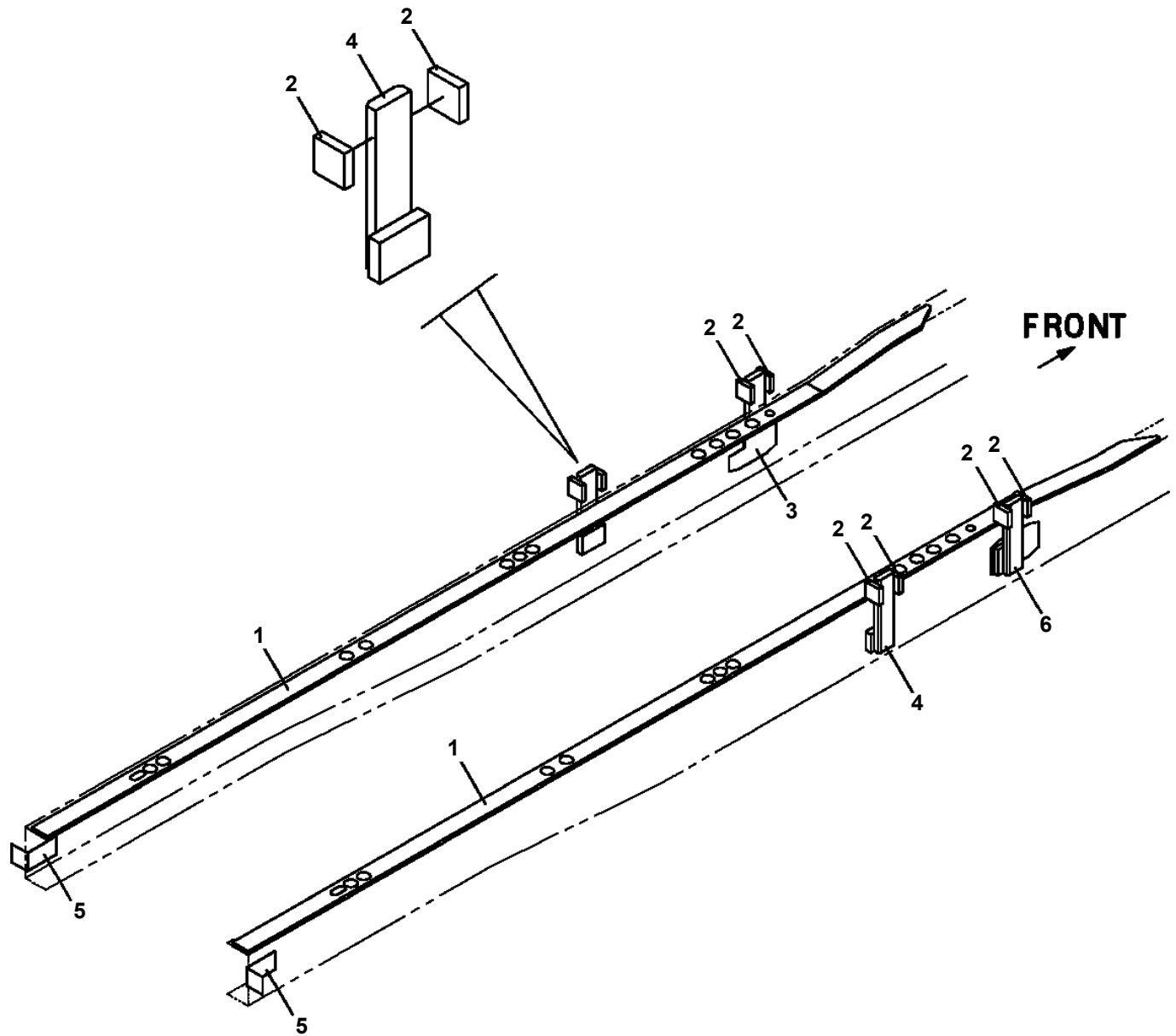


AT-80 の場合

AT-121-2 43007231000 LOWER,HINO BDG-XZU304E-TKTQB6  
PP5500003-00 PUMP,OIL (32CC:L)



AT-121-2 43007231000 LOWER, HINO BDG-XZU304E-TKTQB6  
PX1170759-00 ATTACHMENT PARTS, CRANE FRAME



# AT-121-2 43007231000 LOWER,HINO BDG-XZU304E-TKTQB6

Pos No.	Parts No	Parts Name	Qty	Unit	Technical Data	Serial No (Start)	Serial No (End)
2	42834267510	WINDOW	1				
3	42834267520	SEAT	1				
4	42834267530	WEATHER STRIP	1				
5	42834267540	WEATHER STRIP	1				
6	42832917570	HINGE SET (RIGHT)	1				
7	42832917580	HINGE SET (LEFT)	1				
8	42833157580	PIN	2				
9	42831877540	INSULATOR	2				
10	42833607540	CATCH (WITH KEY)	1				
11	42833607550	CATCH (WITHOUT KEY)	1				
12	42833157590	STRIKER	2				
13	42833077610	BUSH	4				
14	80175804010	SCREW,MACHINE	4		M4X10		
15	80192435010	SCREW,MACHINE	6		M5X10		
16	80192484012	SCREW,MACHINE (WITH WASHER)	2		M4X12		
17	80192485012	SCREW,MACHINE	4		M5X12		
18	80175805010	SCREW,MACHINE	4		M5X10		
41	42833607700	KEY	1				
50	42834261000	BOX,TOOL	1				

CLICK HERE TO **DOWNLOAD** THE COMPLETE MANUAL

- Thank you very much for reading the preview of the manual.
- You can download the complete manual from: [www.heydownloads.com](http://www.heydownloads.com) by clicking the link below



- Please note: If there is no response to CLICKING the link, please download this PDF first and then click on it.

CLICK HERE TO **DOWNLOAD** THE COMPLETE MANUAL