

**AT-121-2 43007232400 LOWER,HINO SKG-XZU600E-TKTQC6**

PB3000175-00 POWER UNIT  
PO1000171-00 INDICATION PLATES  
PX2001599-00 CARRIER UNIT  
PX3000834-00 MOUNTING UNIT  
PY1001445-02 OPTIONS,1  
ASSEMBLY

CLICK HERE TO **DOWNLOAD** THE COMPLETE MANUAL

- Thank you very much for reading the preview of the manual.
- You can download the complete manual from: [www.heydownloads.com](http://www.heydownloads.com) by clicking the link below



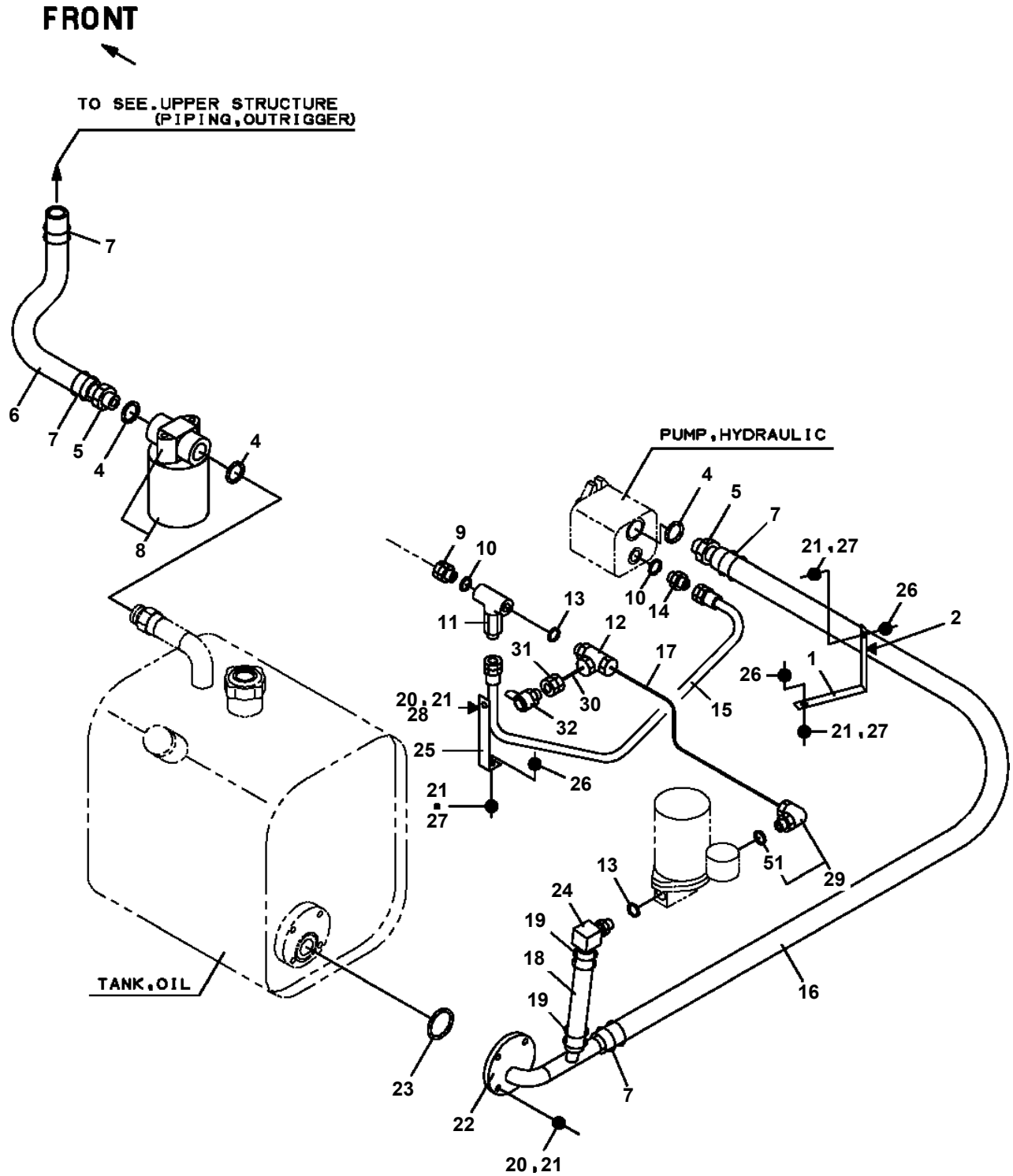
- Please note: If there is no response to CLICKING the link, please download this PDF first and then click on it.

CLICK HERE TO **DOWNLOAD** THE COMPLETE MANUAL

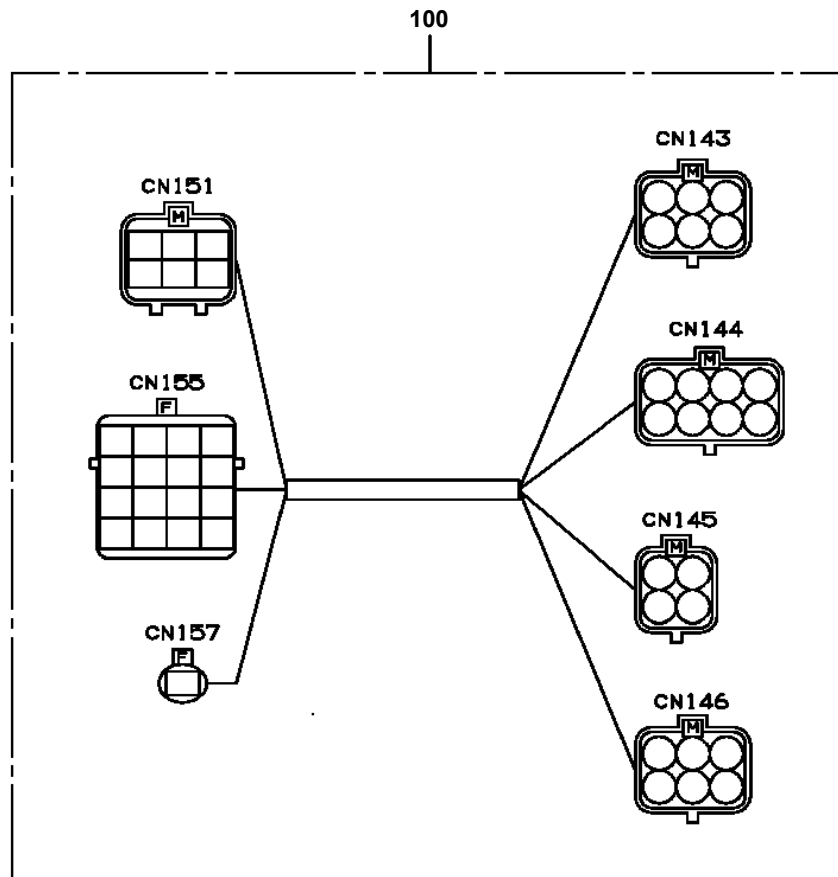
# AT-121-2 43007232400 LOWER,HINO SKG-XZU600E-TKTQC6

Pos No.	Parts No	Parts Name	Qty	Unit	Technical Data	Serial No
1	(*****)	GUARD,CAB	1			
2	(*****)	GUARD (RIGHT)	1			
3	(*****)	GUARD (RIGHT+LEFT)	1			
4	(*****)	ALARM SYSTEM	1			
5	(*****)	ELEC.ASSY (ALARM:UPPER/EXHAUST GAS PURIFIER DEVICE)	1			
6	(*****)	EARTH ASSY	1			

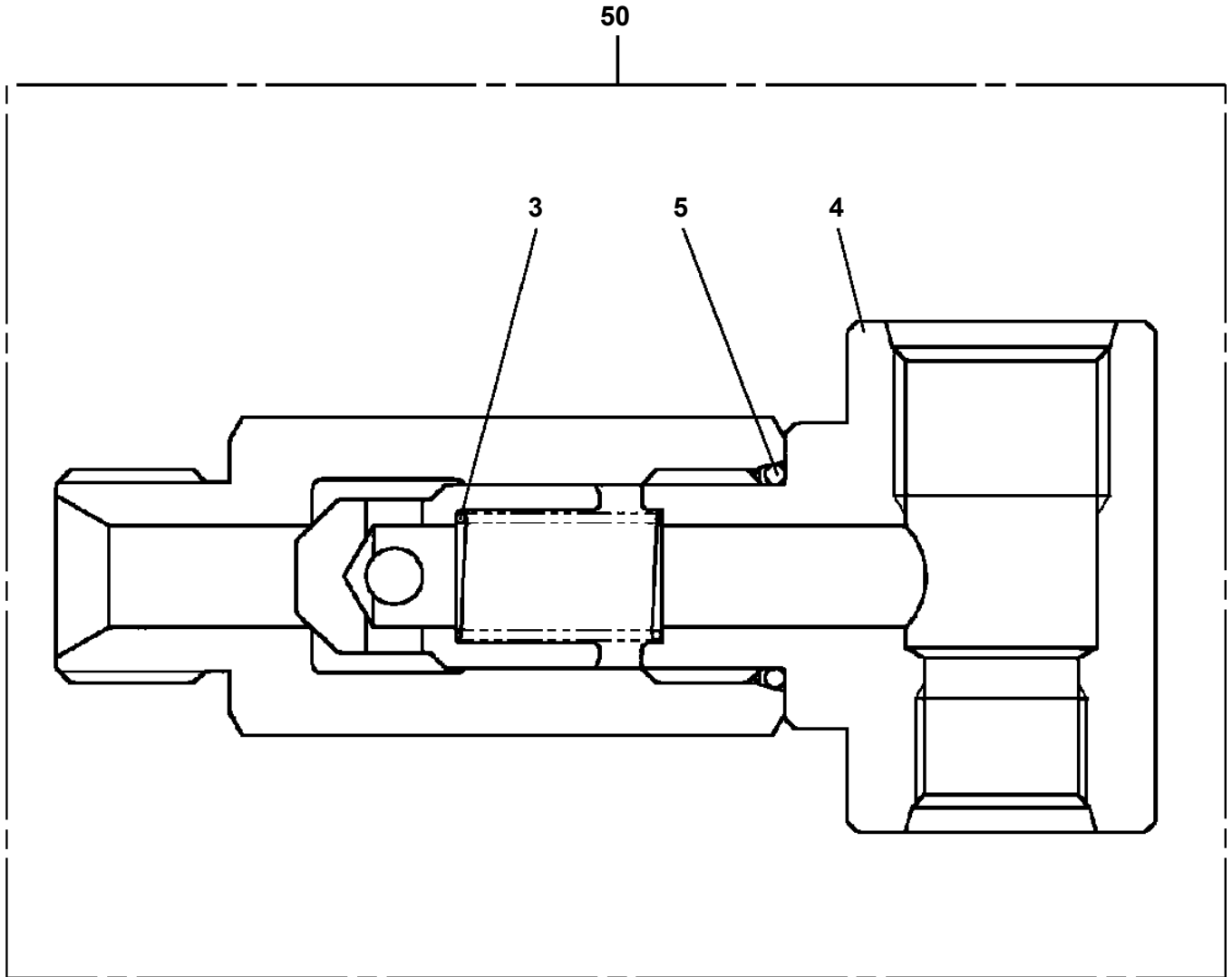
AT-121-2 43007232400 LOWER,HINO SKG-XZU600E-TKTQC6  
PB1411992-00 PIPING,LOWER



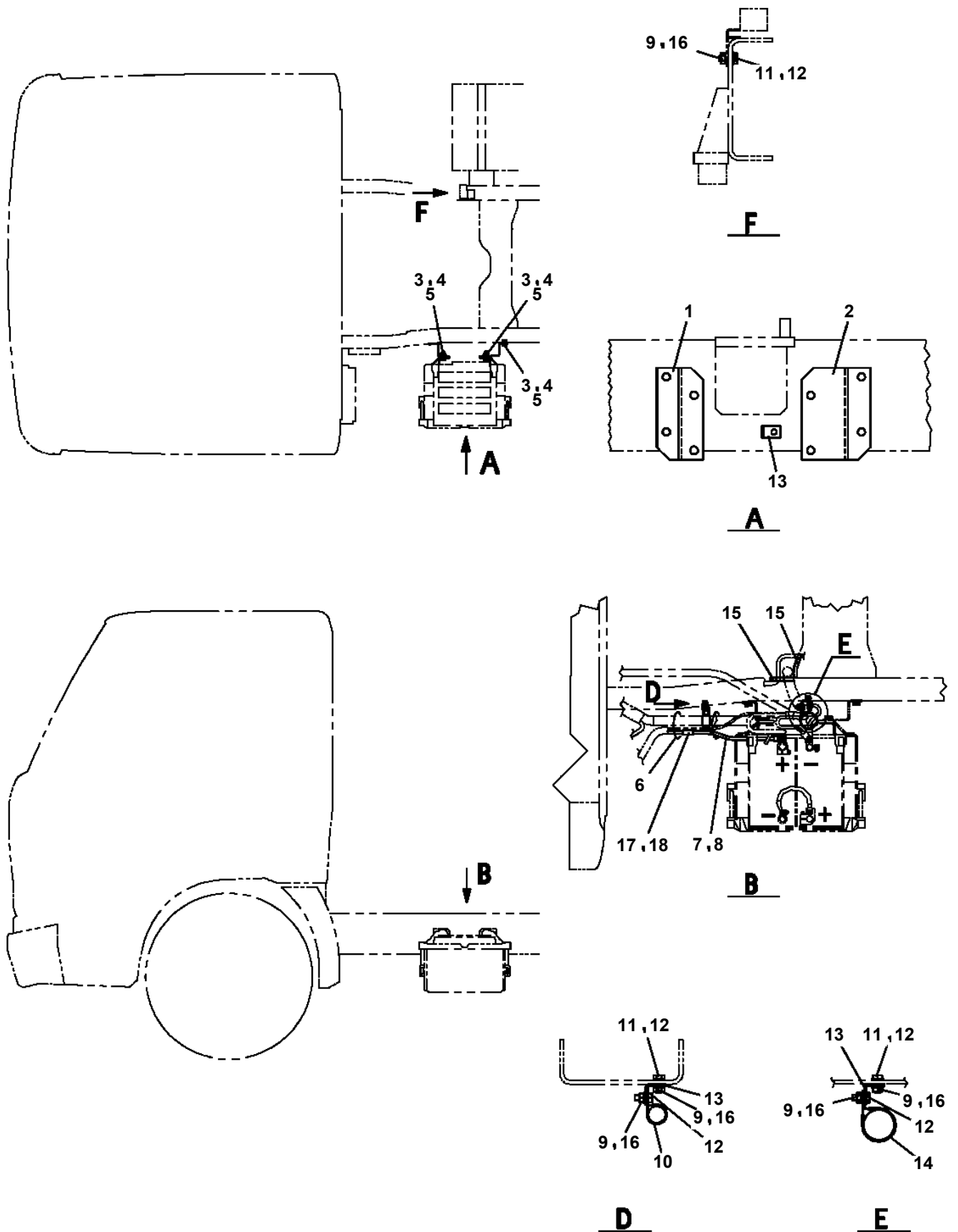
AT-121-2 43007232400 LOWER,HINO SKG-XZU600E-TKTQC6  
PH5030429-00 HARNESS



AT-121-2 43007232400 LOWER,HINO SKG-XZU600E-TKTQC6  
PI1140165-00 VALVE,CHECK (MORIKAWA GAUGE)

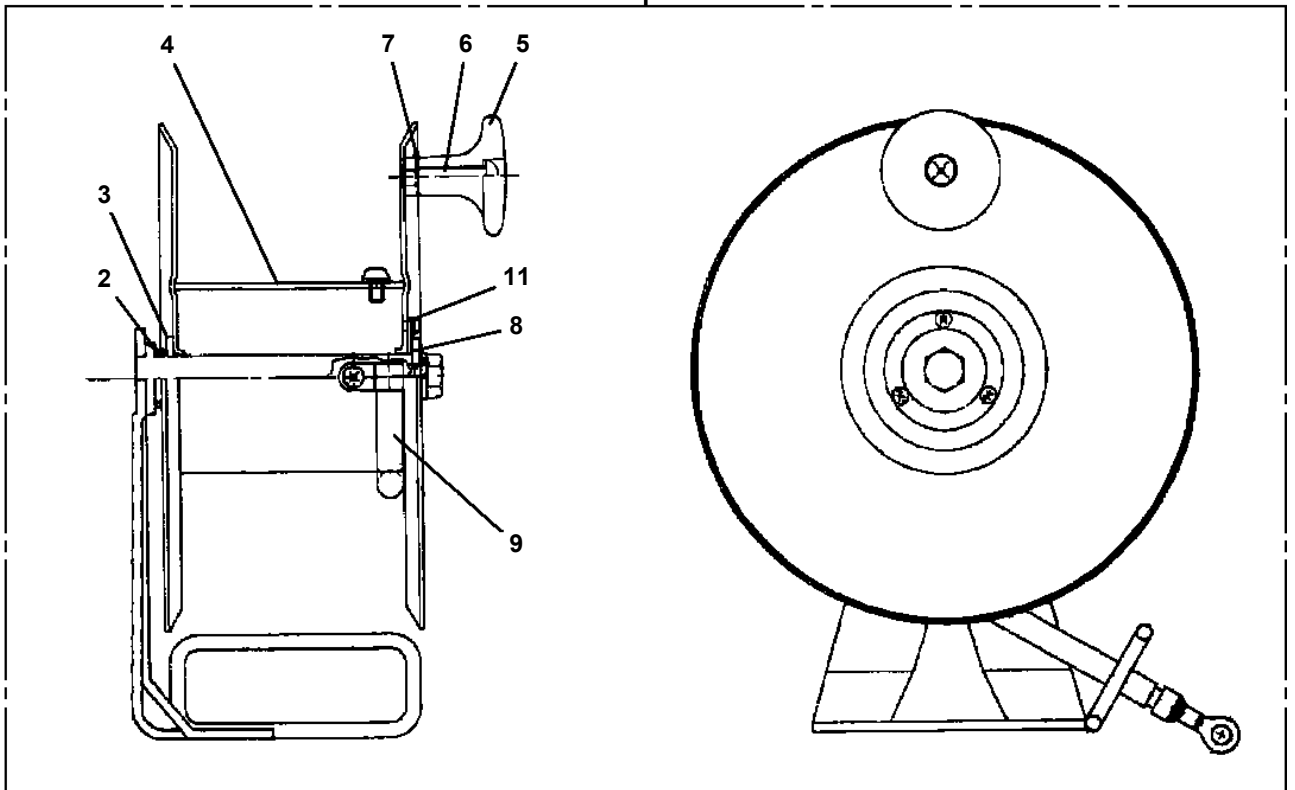


**AT-121-2 43007232400 LOWER,HINO SKG-XZU600E-TKTQC6  
PM5150287-00 MODIFICATION ASSY**

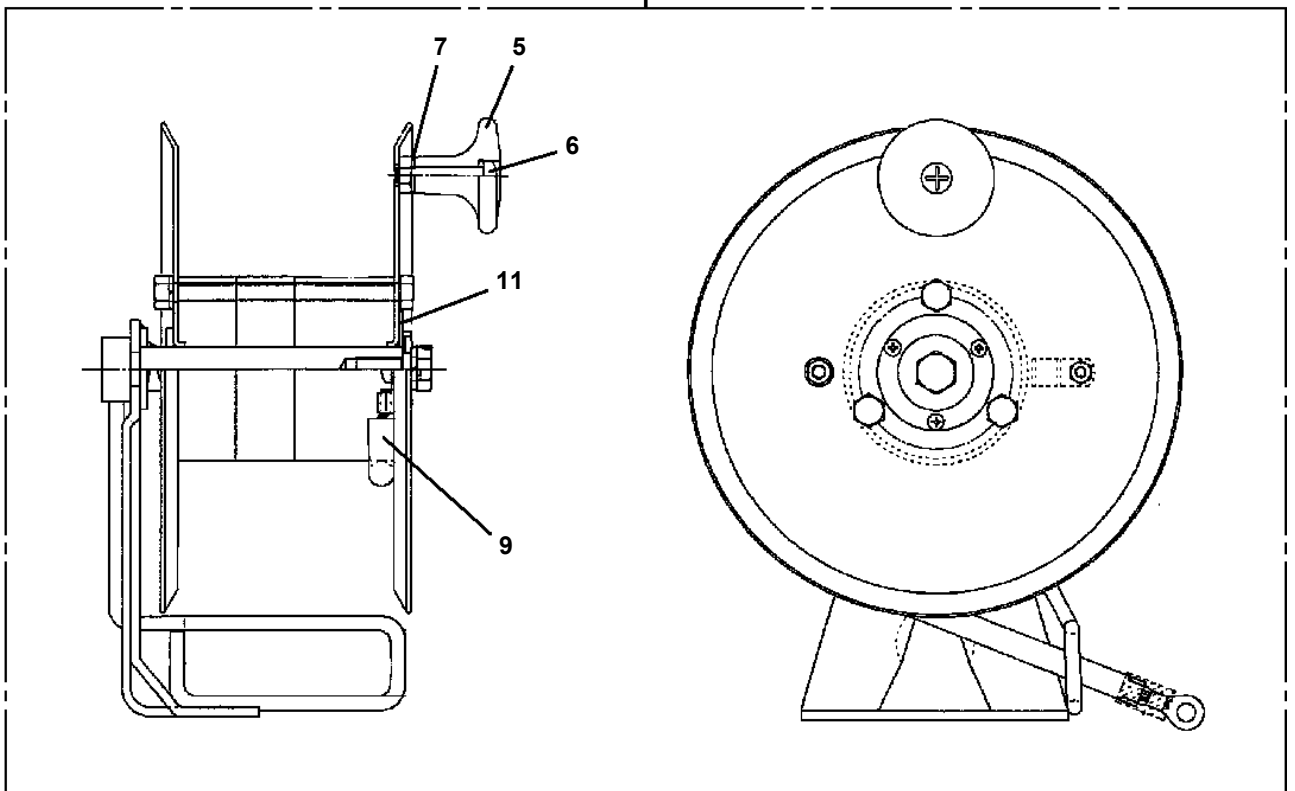


AT-121-2 43007232400 LOWER, HINO SKG-XZU600E-TKTQC6  
PN1350026-01 REEL, CORD (FOR EARTHING)

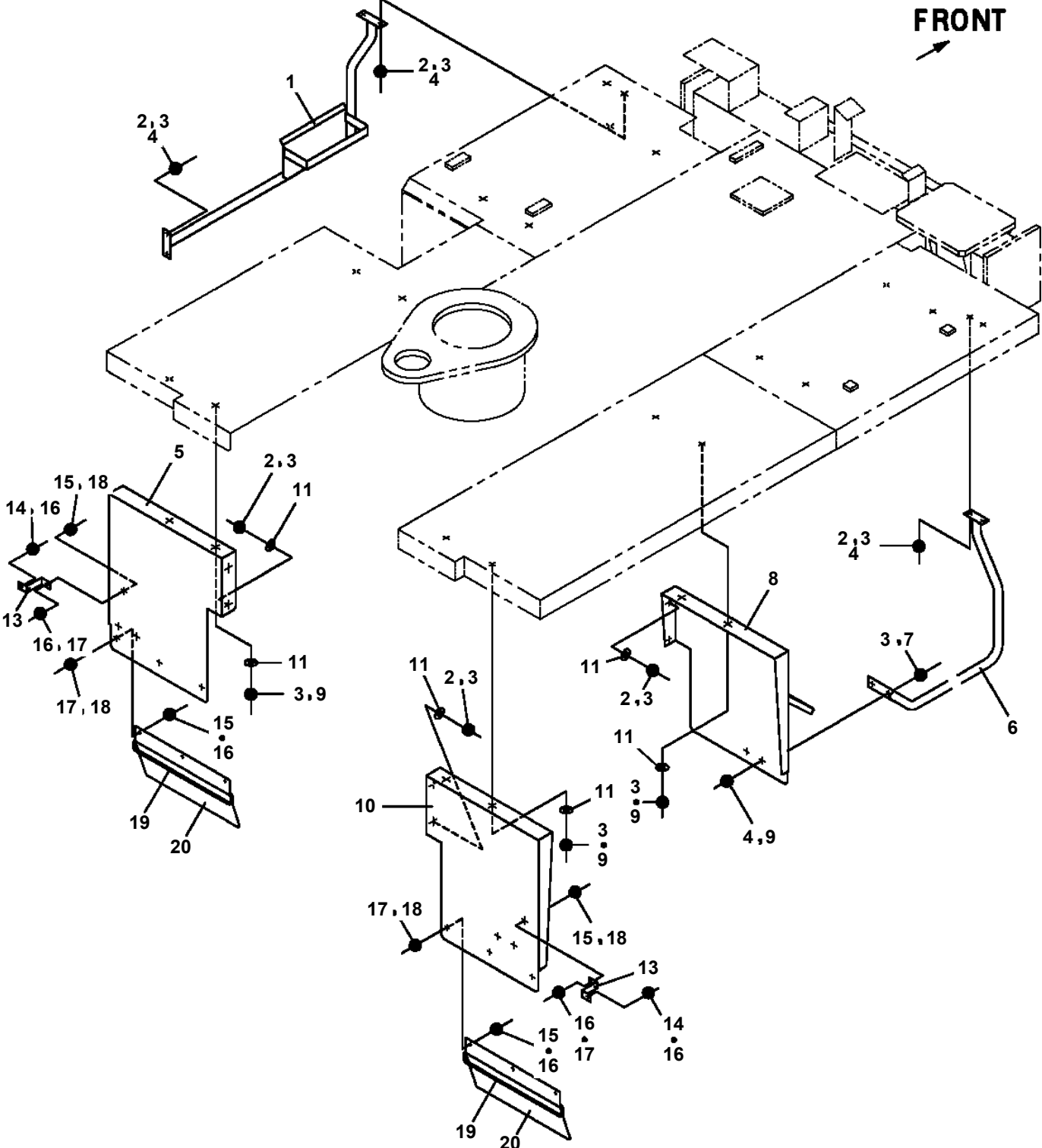
50



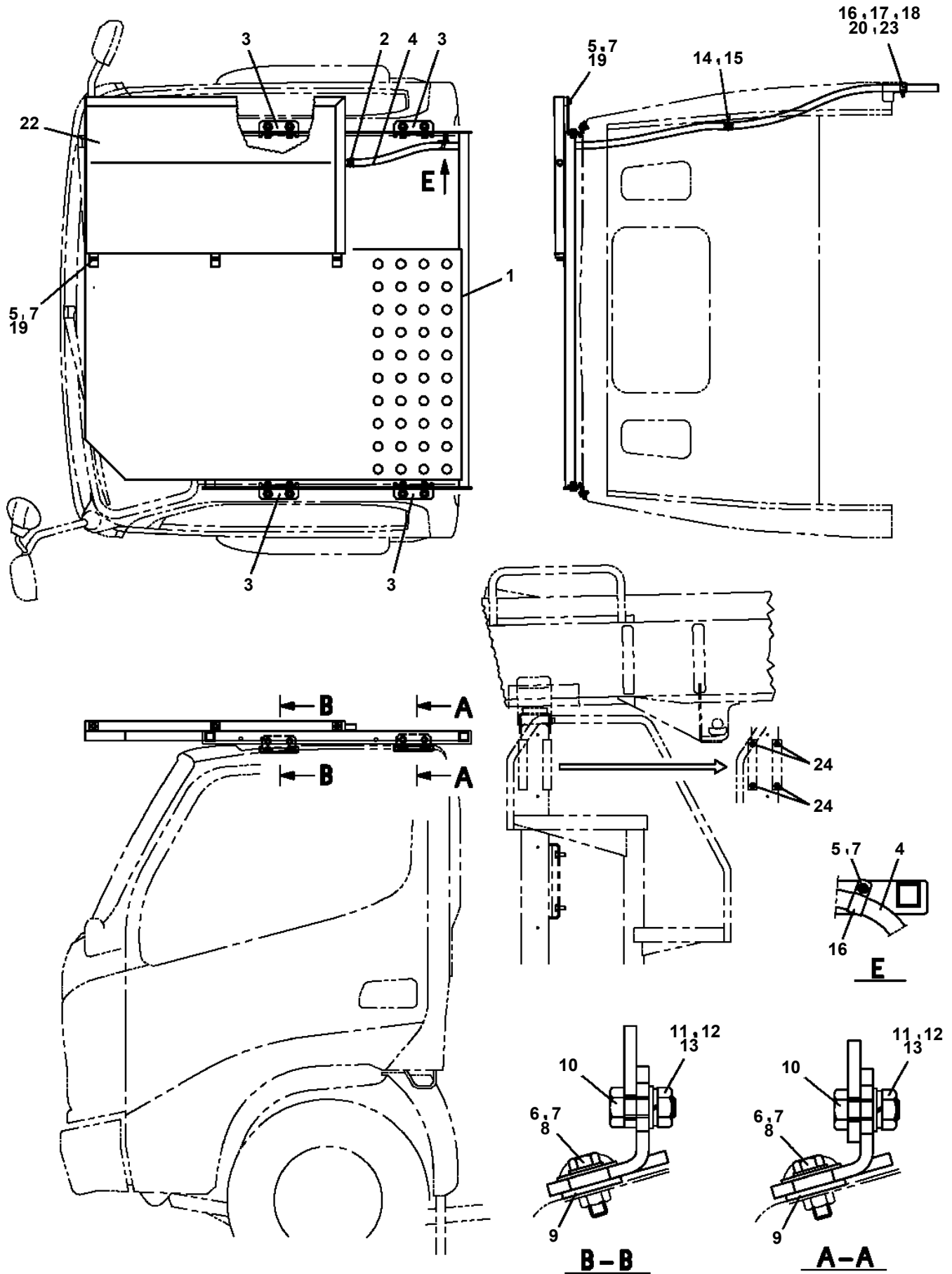
50



AT-121-2 43007232400 LOWER,HINO SKG-XZU600E-TKTQC6  
PX1200667-00 SIDE GUARD



**AT-121-2 43007232400 LOWER, HINO SKG-XZU600E-TKTQC6  
PX1370292-02 GUARD, CAB**



CLICK HERE TO **DOWNLOAD** THE COMPLETE MANUAL

- Thank you very much for reading the preview of the manual.
- You can download the complete manual from: [www.heydownloads.com](http://www.heydownloads.com) by clicking the link below



- Please note: If there is no response to CLICKING the link, please download this PDF first and then click on it.

CLICK HERE TO **DOWNLOAD** THE COMPLETE MANUAL