

**AT-121-2 43007231500 LOWER,HINO BDG-XZU304E-TKMQB6**

PB3000174-00 POWER UNIT  
PO1000171-00 INDICATION PLATES  
PX2001216-00 CARRIER UNIT  
PX3000649-00 MOUNTING UNIT  
PY1001447-01 OPTIONS,1  
ASSEMBLY

CLICK HERE TO **DOWNLOAD** THE COMPLETE MANUAL

- Thank you very much for reading the preview of the manual.
- You can download the complete manual from: [www.heydownloads.com](http://www.heydownloads.com) by clicking the link below



- Please note: If there is no response to CLICKING the link, please download this PDF first and then click on it.

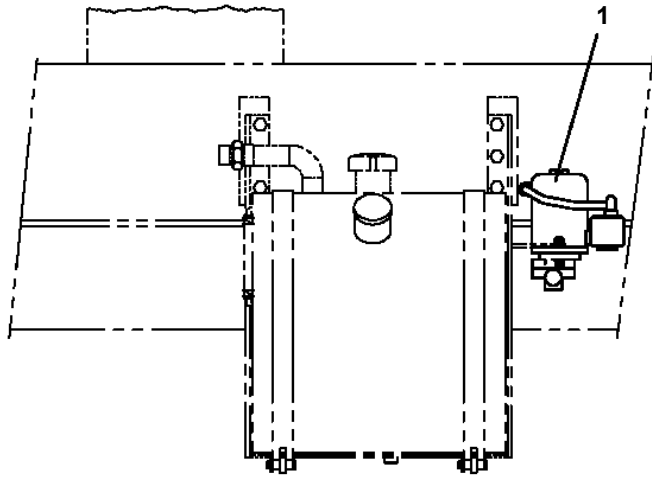
CLICK HERE TO **DOWNLOAD** THE COMPLETE MANUAL

# AT-121-2 43007231500 LOWER,HINO BDG-XZU304E-TKMQB6

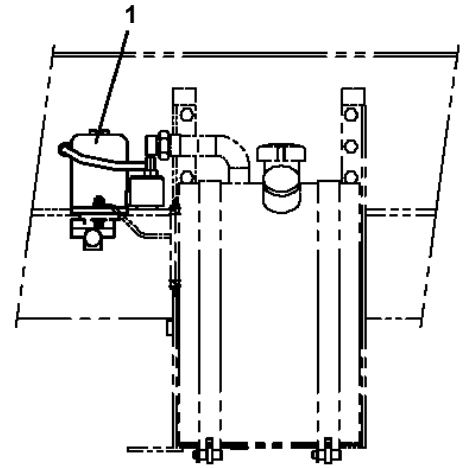
Pos No.	Parts No	Parts Name	Qty	Unit	Technical Data	Serial No
1	(*****)	EARTHING DEVICE	1			
2	(*****)	DECK (150KG)	1			
3	(*****)	GUARD ASSY (100KG)	1			
4	(*****)	BOX,TOOL (RIGHT SINGLE)	1			
5	(*****)	ALARM SYSTEM	1			
6	(*****)	ELEC.ASSY (ALARM:UPPER/EXHAUST GAS PURIFIER DEVICE)	1			HJ1640

AT-121-2 43007231500 LOWER,HINO BDG-XZU304E-TKMQB6  
PB1110025-04 MOUNT,PUMP (EMERGENCY)

FRONT ←



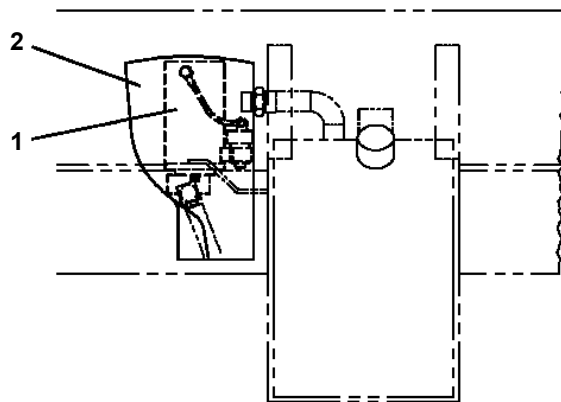
FRONT ←



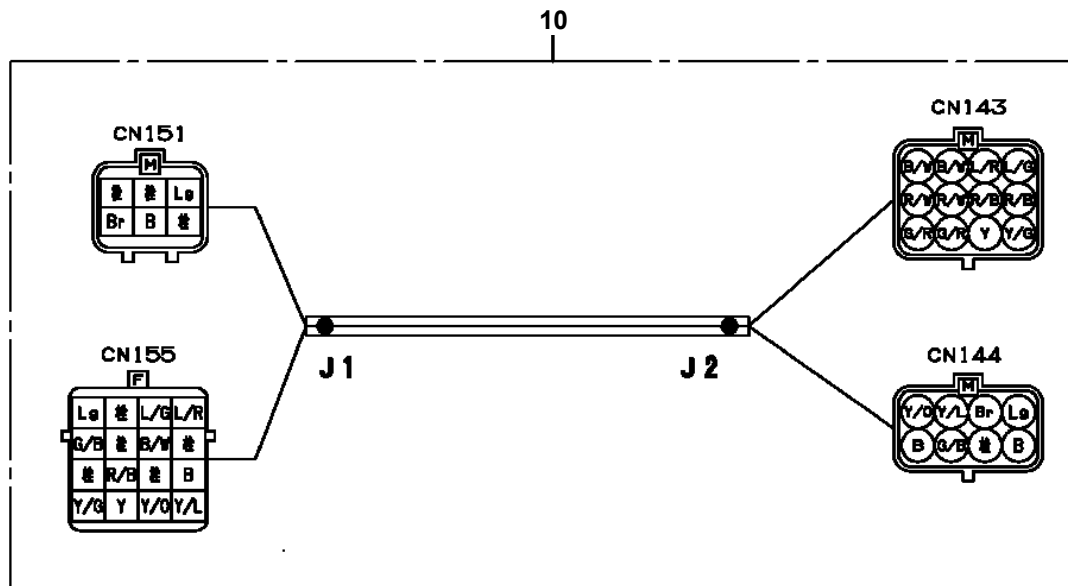
AT-80の場合



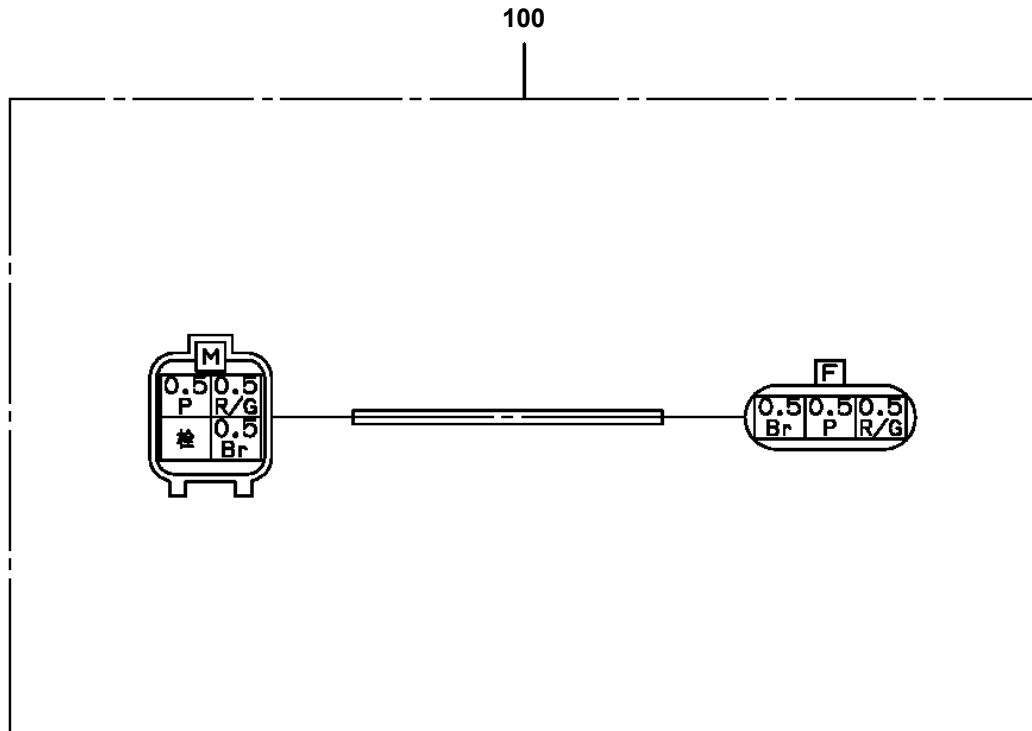
FRONT ←



AT-121-2 43007231500 LOWER,HINO BDG-XZU304E-TKMQB6  
 PH5030691-00 HARNESS



AT-121-2 43007231500 LOWER,HINO BDG-XZU304E-TKMQB6  
PH5034175-00 HARNESS



CLICK HERE TO **DOWNLOAD** THE COMPLETE MANUAL

- Thank you very much for reading the preview of the manual.
- You can download the complete manual from: [www.heydownloads.com](http://www.heydownloads.com) by clicking the link below

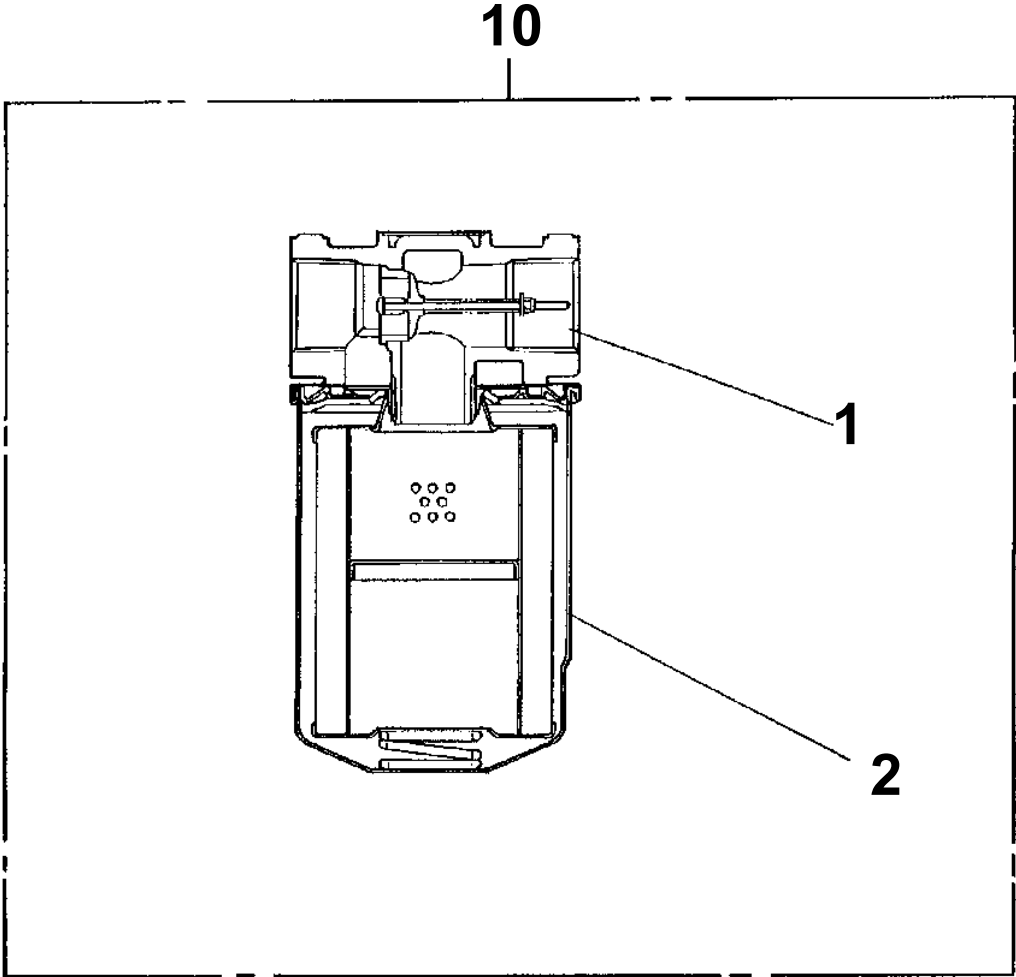


- Please note: If there is no response to CLICKING the link, please download this PDF first and then click on it.

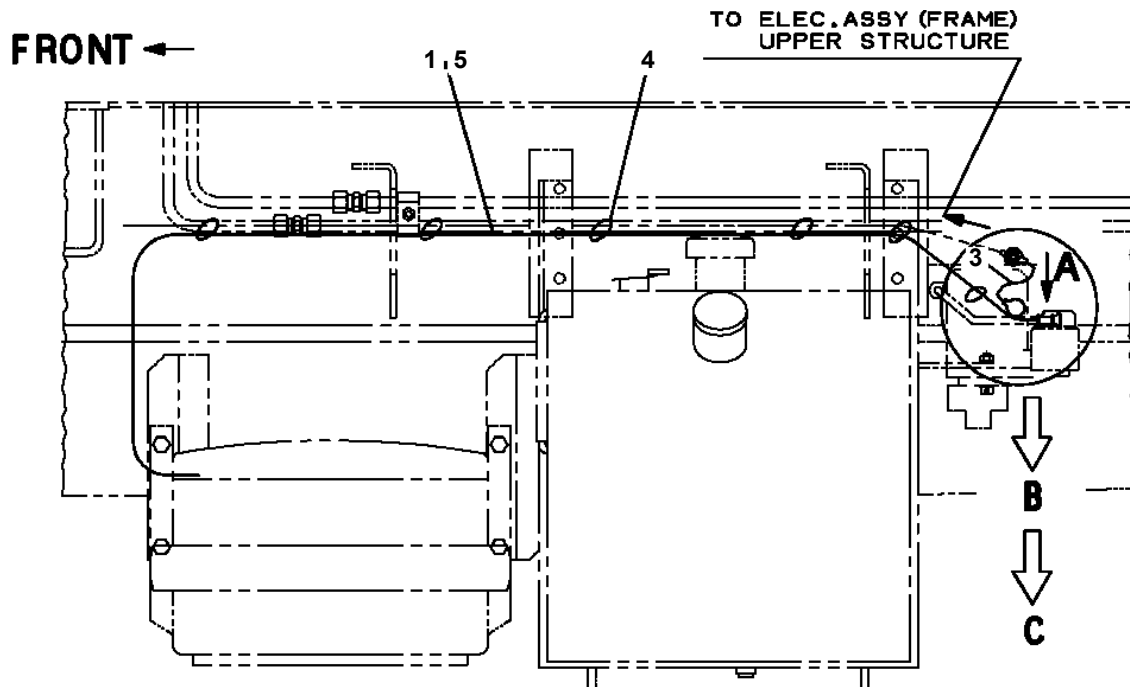
CLICK HERE TO **DOWNLOAD** THE COMPLETE MANUAL

AT-121-2 43007231500 LOWER, HINO BDG-XZU304E-TKMQB6  
PI1300061-02 FILTER, OIL (YAMASHIN)

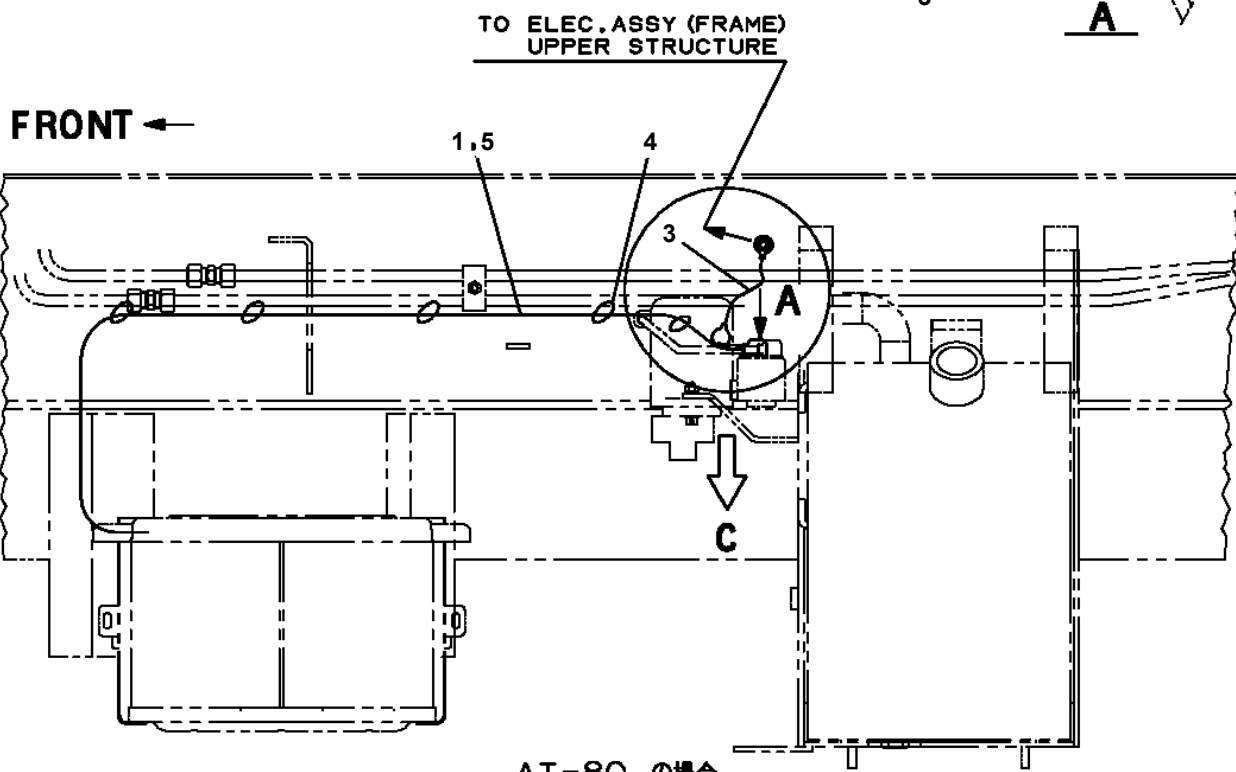
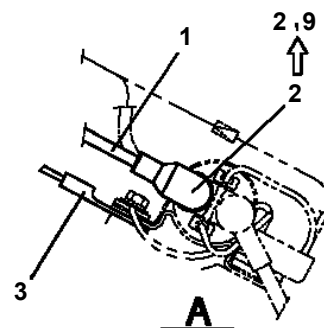
Assembly Name FILTER, OIL



AT-121-2 43007231500 LOWER, HINO BDG-XZU304E-TKMQB6  
 PN1013988-05 ELEC. ASSY (BATTERY & EMERGENCY PUMP)

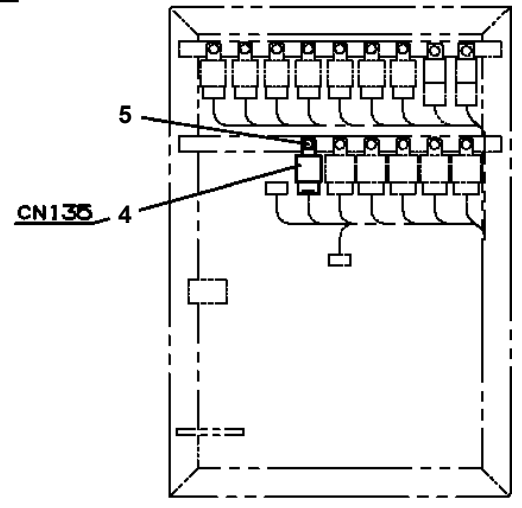
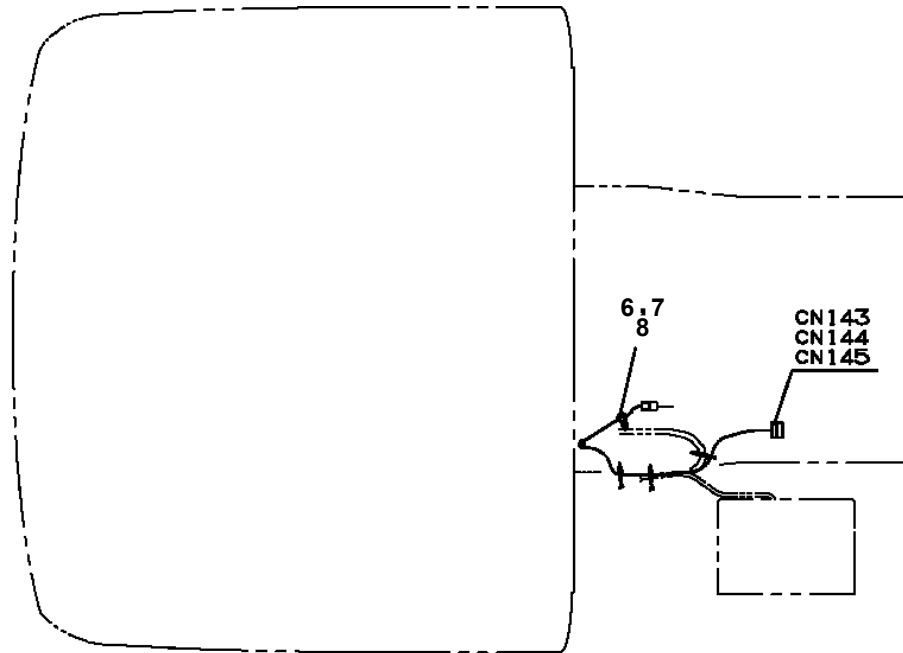


AT-100-4, AT-100-5  
 AT-110-4, AT-110-5  
 AT-121-2, AT-121-3 の場合

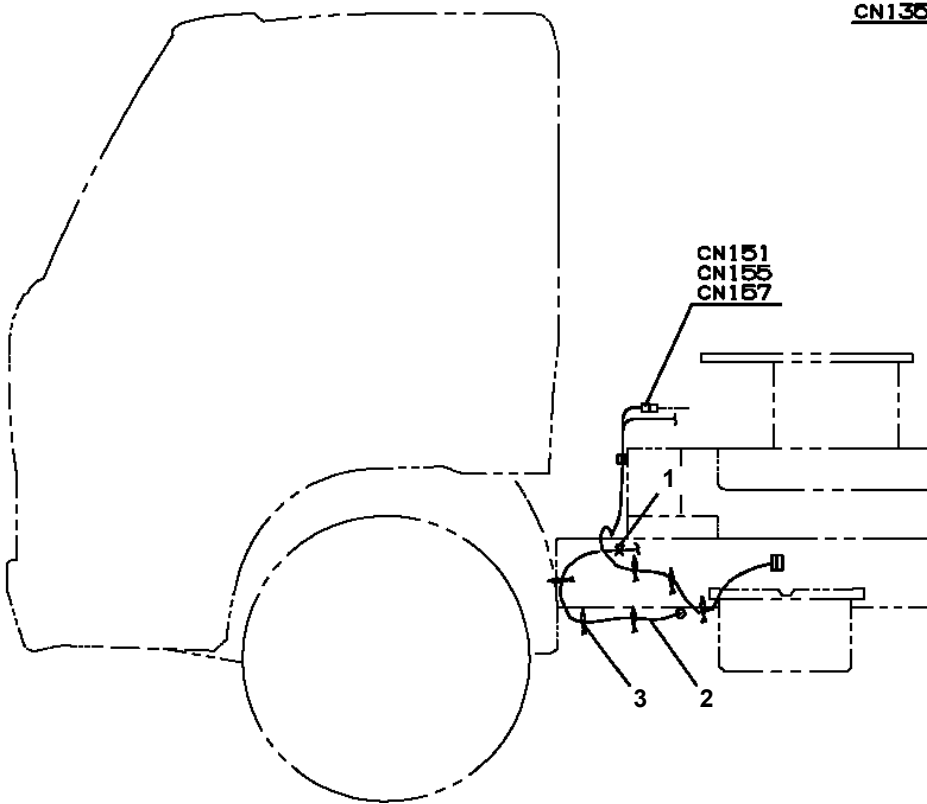


AT-80 の場合

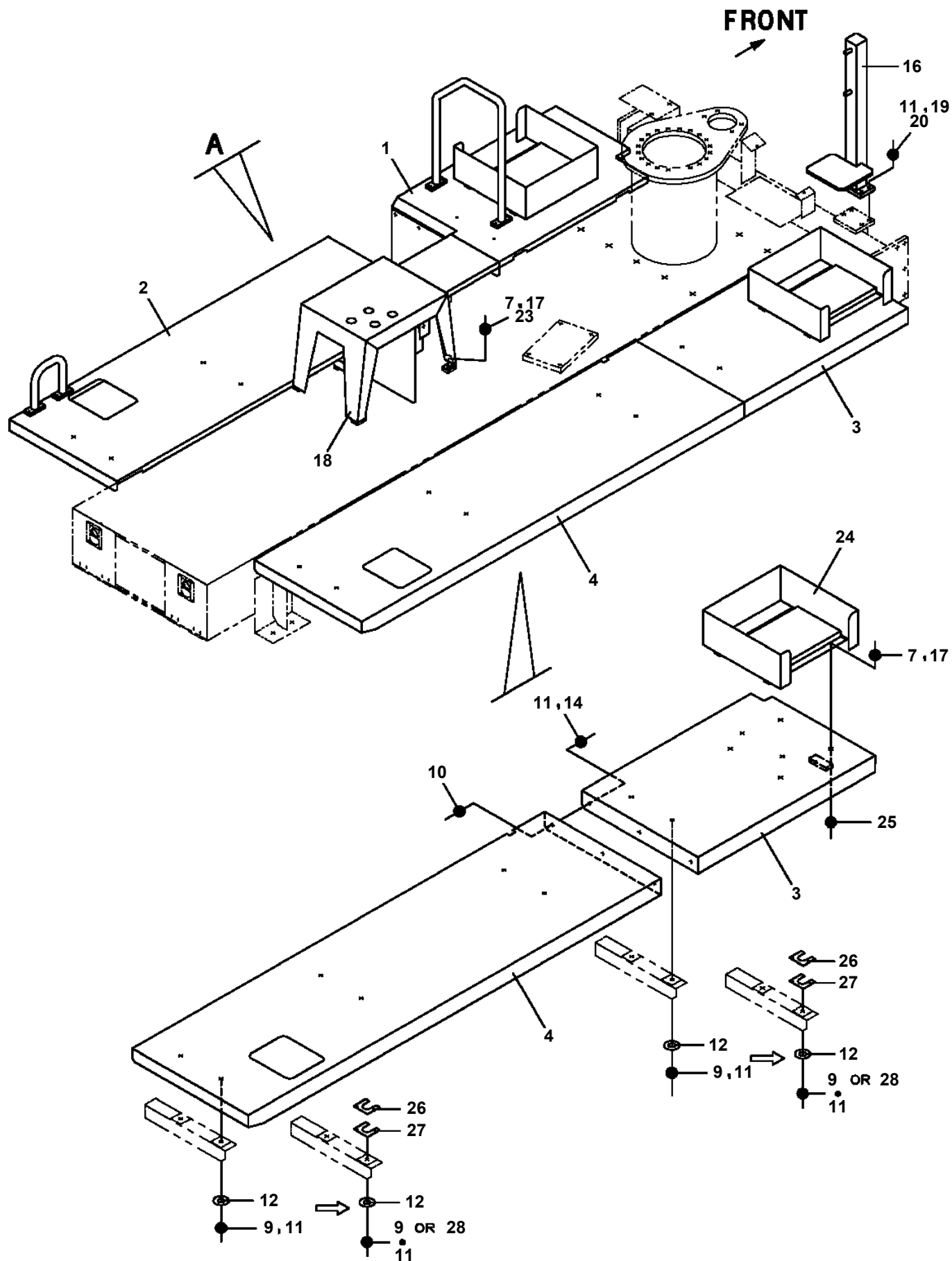
AT-121-2 43007231500 LOWER, HINO BDG-XZU304E-TKMQB6  
PN1015083-00 ELEC.ASSY (CARRIER)



リレーボックス内



AT-121-2 43007231500 LOWER, HINO BDG-XZU304E-TKMQB6  
PX1030681-01 FENDER



# AT-121-2 43007231500 LOWER,HINO BDG-XZU304E-TKMQB6

Pos No.	Parts No	Parts Name	Qty	Unit	Technical Data	Serial No (Start)	Serial No (End)	Remarks	Pages
1	42864770100	SPACER	2						
2	37000587620	PLATE	8						
3	42864850100	SUPPORT	1						
4	42864890100	SUPPORT	2						
5	42863230600	SUPPORT	2						
6	42864840300	SUPPORT	1						

## AT-121-2 43007231500 LOWER,HINO BDG-XZU304E-TKMQB6

Pos No.	Parts No	Parts Name	Qty	Unit	Technical Data	Serial No (Start)	Serial No (End)	Remark
1	42900270100	SUPPORT	1					
2	42900270200	SUPPORT	1					
3	82400000205	GROMMET	1			HJ1594		
4	90201200800	NUT	10		M8			
5	42900270300	SUPPORT	1					
7	90101208020	BOLT	10		M8X20			
8	90302040801	WASHER,SPRING	10		8			
9	90101210045	BOLT	2		M10X45		HJ1375	
	90101210050	BOLT	2		M10X50	HJ1376		
10	90302041001	WASHER,SPRING	2		10			
13	82400000393	INSULATOR	2				HJ1375	
	82400000393	INSULATOR	1			HJ1376		
14	91850400601	CLAMP	13				HJ1526	
	91850400601	CLAMP	11			HJ1527		
15	91810132530	FASTENER	13				HJ1526	
	91810132530	FASTENER	20			HJ1527		
16	80172804016	SCREW,MACHINE	2		M4X16		HJ1375	
	80172804016	SCREW,MACHINE	1		M4X16	HJ1376		
17	90303520401	WASHER,PLAIN	2		4		HJ1375	
	90303520401	WASHER,PLAIN	1		4	HJ1376		
18	90302510401	WASHER,SPRING	2		4		HJ1375	
	90302510401	WASHER,SPRING	1		4	HJ1376		
20	82111101510	TERMINAL	4					
21	82121101050	PLUG (BLACK/AV0.3 TO 0.5)	8					
22	82111101010	TERMINAL	4					
23	82114102020	CONNECTOR	2					
24	82121102020	HOLDER	4					
25	82114101020	CONNECTOR (2P,MALE)	2					
26	42808000200	HARNESS	2					
27	90201201000	NUT	2		M10			
28	90303071001	WASHER,PLAIN	2		10			
29	42807380100	HARNESS	2		L=600		HJ1650	
	42807380100	HARNESS	1		L=600	HJ1651		

CLICK HERE TO **DOWNLOAD** THE COMPLETE MANUAL

- Thank you very much for reading the preview of the manual.
- You can download the complete manual from: [www.heydownloads.com](http://www.heydownloads.com) by clicking the link below



- Please note: If there is no response to CLICKING the link, please download this PDF first and then click on it.

CLICK HERE TO **DOWNLOAD** THE COMPLETE MANUAL