

## **AT-120-1 42024100006 UPPER**

**PB1000254-02 HYDRAULIC PRESSURE GENERATING SYSTEM**  
**PC1000194-01 OUTRIGGER SYSTEM**  
**PD1000238-01 SWING SYSTEM**  
**PE1000237-02 ELEVATING SYSTEM**  
**PG1000233-02 TELESCOPING SYSTEM**  
**PH1000217-02 SAFETY DEVICES**  
**PJ3000044-03 BUCKET OR BASKET SYSTEM**  
**PK1000246-00 FRAME**  
**PL1000244-00 CONTROL DEVICES**  
**PN1000204-01 ELECTRIC EQUIPMENT**  
**PO1000046-01 INDICATION PLATES**  
**PW1000041-00 ACCESSORIES & TOOLS**  
**PY1000223-02 OPTIONS**  
**ASSEMBLY**

CLICK HERE TO **DOWNLOAD** THE COMPLETE MANUAL

- Thank you very much for reading the preview of the manual.
- You can download the complete manual from: [www.heydownloads.com](http://www.heydownloads.com) by clicking the link below



- Please note: If there is no response to CLICKING the link, please download this PDF first and then click on it.

CLICK HERE TO **DOWNLOAD** THE COMPLETE MANUAL

# AT-120-1 42024100006 UPPER

Pos No.	Parts No	Parts Name	Qty	Unit	Technical Data	Serial No (Start)	Serial No (End)	Remarks	P
1	(*****)	BOOM	1						0
2	(*****)	CYLINDER,TELESCOPING	1						0
3	(*****)	PIPING,BOOM	1						0

# AT-120-1 42024100006 UPPER

Pos No.	Parts No	Parts Name	Qty	Unit	Technical Data	Serial No (Start)	Serial No (End)	Remarks
1	(*****)	ELEC.ASSY (SWING FRAME)	1					
2	(*****)	ELEC.ASSY (BOOM)	1					
3	(*****)	ELEC.ASSY (BUCKET/BASKET)	1					

# AT-120-1 42024100006 UPPER

Pos No.	Parts No	Parts Name	Qty	Unit	Technical Data	Serial No (Start)	Serial No (End)	Remarks	Pages
1	42630430000	JOINT,ROTARY	1						000016
2	90101210028	BOLT	4		M10X28				
3	90302041001	WASHER,SPRING	4		10				
4	37000112670	BAR	1						
5	42630210500	SUPPORT	1						
6	37001506710	BOLT	2		M12X60				
7	33210000650	WIRE	1						

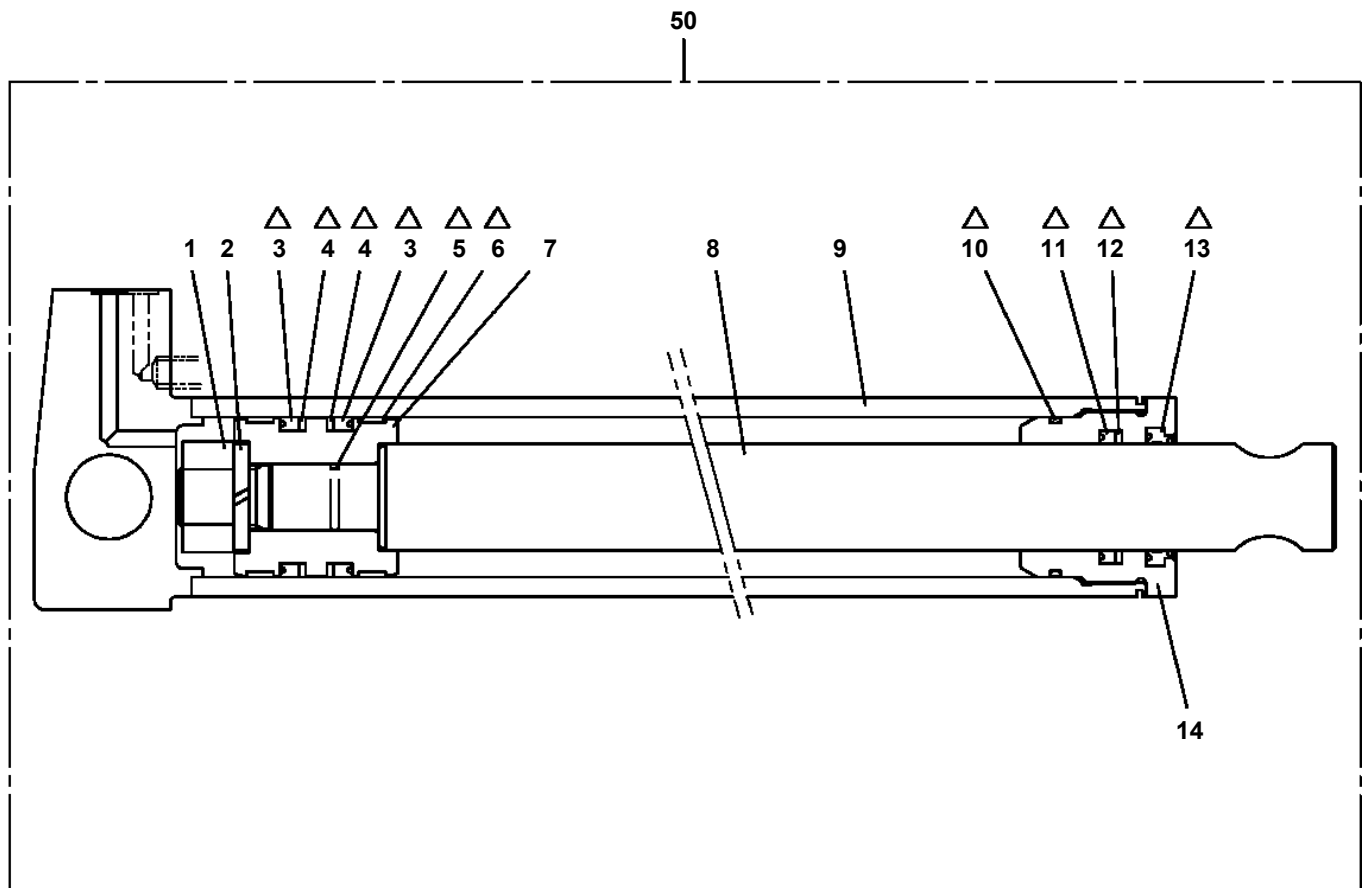
# AT-120-1 4202410006 UPPER

Pos No.	Parts No	Parts Name	Qty	Unit	Technical Data	Serial No (Start)	Serial No (End)	F
2	36634515010	PLUG ASSY	1					
4	36636175010	VALVE,CONTROL (ELEVATING)	1					
5	36636175020	VALVE,CONTROL (TELESCOPING)	1					
6	36636175030	VALVE,CONTROL (SWING)	1					
11	36634515050	BODY	1					
12	36634515060	BODY	1					
14	91002905500	O-RING	4		1B G55			
22	91000501500	O-RING	1		AS568-015			
23	91002802200	O-RING	1		1B P22			
33	36631975010	O-RING	6					
34	36634365190	WIPER,DUST	6					
35	36634365200	RETAINER (SEAL)	6					
36	90131506015	BOLT,HEXAGON SOCKET	4		M6X15			
37	90131506020	BOLT,HEXAGON SOCKET	6		M6X20			
38	36630965150	COVER (SPRING)	3					
39	36630045140	SPRING	3					
40	12435101170	RETAINER (SPRING)	6					
41	36636185040	END,SPOOL	3					
42	36635175070	BRACKET	3					
43	36630045150	COVER	2					
44	36636435060	VALVE,CHECK	3					
45	36635045040	RETAINER (VALVE)	2					
46	36635555080	SPRING	2					
47	91002801400	O-RING	3		1B P14			
76	90131506010	BOLT,HEXAGON SOCKET	2		M6X10			
83	12435101180	RETAINER (SEAL)	1					
85	36634085090	RETAINER (VALVE)	1					
86	36634105080	SPRING	1					
150	36636170000	VALVE,MANUAL CONTROL	1					

# AT-120-1 4202410006 UPPER

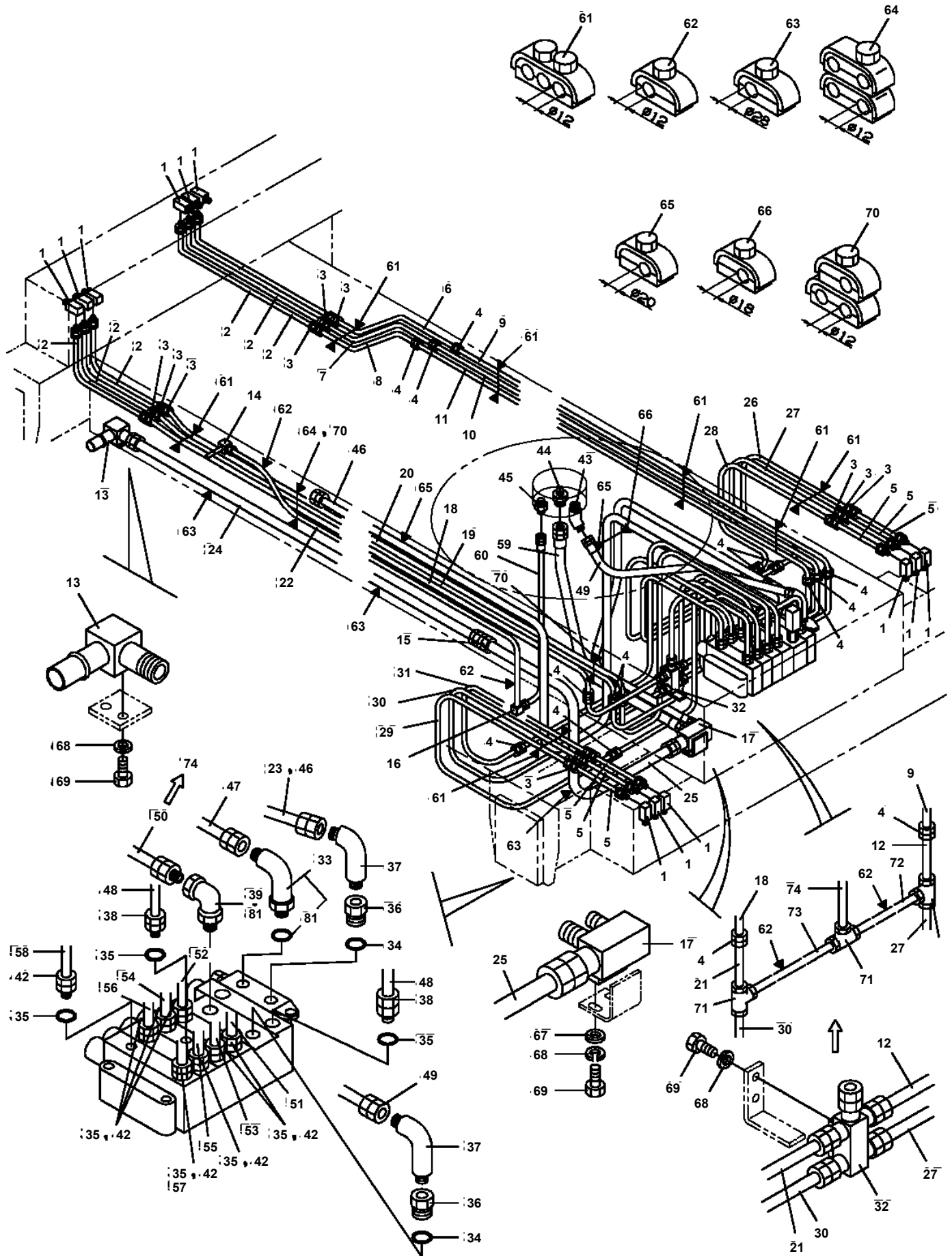
Pos No.	Parts No	Parts Name	Qty	Unit	Technical Data	Serial No (Start)	Serial No (End)	Rem
2	42610260030	PLATE,SLIDE	8					
3	42610260020	PLATE	8		T=0.8			
4	42610260050	PLATE	8		T=0.4			
5	80720103014	PIN,SPRING	8		3X14			
6	42610260010	PLATE	8					
7	90101208016	BOLT	40		M8X16			
8	90302040801	WASHER,SPRING	40		8			
9	42611670010	PLATE	8					
21	42611681101	CASE,INNER (REAR)	2					
22	42611250100	CASE,INNER	2					
24	36032330000	CYLINDER,JACK	2					
25	37000138750	PIN	2		18			
26	80136332036	PIN,SPLIT	4		3.2X36			
27	42730072000	COVER	2					
28	90101206012	BOLT	12		M6X12			
29	90302040601	WASHER,SPRING	14		6			
30	37000112330	PIN	2					
31	80601110350	RING,RITAINING	4		S35			
32	37000112950	PIN	2					
33	80601110120	RING,RITAINING	4		S12			
34	37000131820	PIN	2					
35	80601110300	RING,RITAINING	4		S30			
36	36620220001	VALVE,PILOT CHECK	2					
37	90131510035	BOLT,HEXAGON SOCKET	4		M10X35			
38	82100002005	CLAMP	2		WRC8			
39	90101208010	BOLT	4		M8X10			
40	90302040801	WASHER,SPRING	12		8			
42	90101206016	BOLT	2		M6X16			
43	90201200600	NUT	4		M6			
45	37000600920	CLAMP	2		L=90			
46	90101508012	BOLT	4		M8X12			
47	42610263001	FLOAT ASSY	2					
51	36040840001	CYLINDER,EXTENSION (REAR)	2					
52	42611561410	HARNESS	2					
53	37002416780	HOSE	4		L=1900			
54	91810130240	FASTENER	N					
61	82100002034	CLAMP	2		WEC6			
64	90101208014	BOLT	4		M8X14			
65	42950011010	PLATE	2					
66	42950203010	BOLT	2		M6X18			
69	90101204030	BOLT	4		M4X30			
70	90302040401	WASHER,SPRING	4		4			
71	42611483300	PLATE	2		T=3			
72	42611483200	PLATE	2		T=3			
74	82104502030	SWITCH,LIMIT	2					
93	42610263100	TRUNNION	2					

AT-120-1 42024100006 UPPER  
PC1030268-02 CYLINDER,JACK



Δ:PACKING SET KEY NO.30 (KEY NO.3,4,5,6,10,11,12,13)

# AT-120-1 42024100006 UPPER PC1200201-01 PIPING,OUTRIGGER



# AT-120-1 4202410006 UPPER

Pos No.	Parts No	Parts Name	Qty	Unit	Technical Data	Serial No (Start)	Serial No (End)
2	36080900000	REDUCER,SWING SPEED	1				
3	90171116065	BOLT	3		M16X65		
4	90303071601	WASHER,PLAIN	3		16		
5	90201781600	NUT	3		M6		
6	90302041601	WASHER,SPRING	3		16		
7	90710012400	SCREW,SET	2		M12X40		
8	90203201200	NUT	2		M12		
9	90172112035	BOLT,HEXAGON SOCKET	2		M12X35		
10	90302041201	WASHER,SPRING	2		12		
11	36662590000	MOTOR,HYDRAULIC (SWING)	1				
13	36664070000	MOTOR,OIL	1				
21	37002399010	SEAL (UP,DOWN-SIDE SET)	1				
22	82456201000	NIPPLE,GREASE	6		A-TYPE PT1/8		
31	37002302450	BEARING,SWING (NSK)	1				
32	37002303560	BEARING,SWING (NIHON MONORACE)	1				
33	37002304750	BEARING,SWING (KOYO)	1				

CLICK HERE TO **DOWNLOAD** THE COMPLETE MANUAL

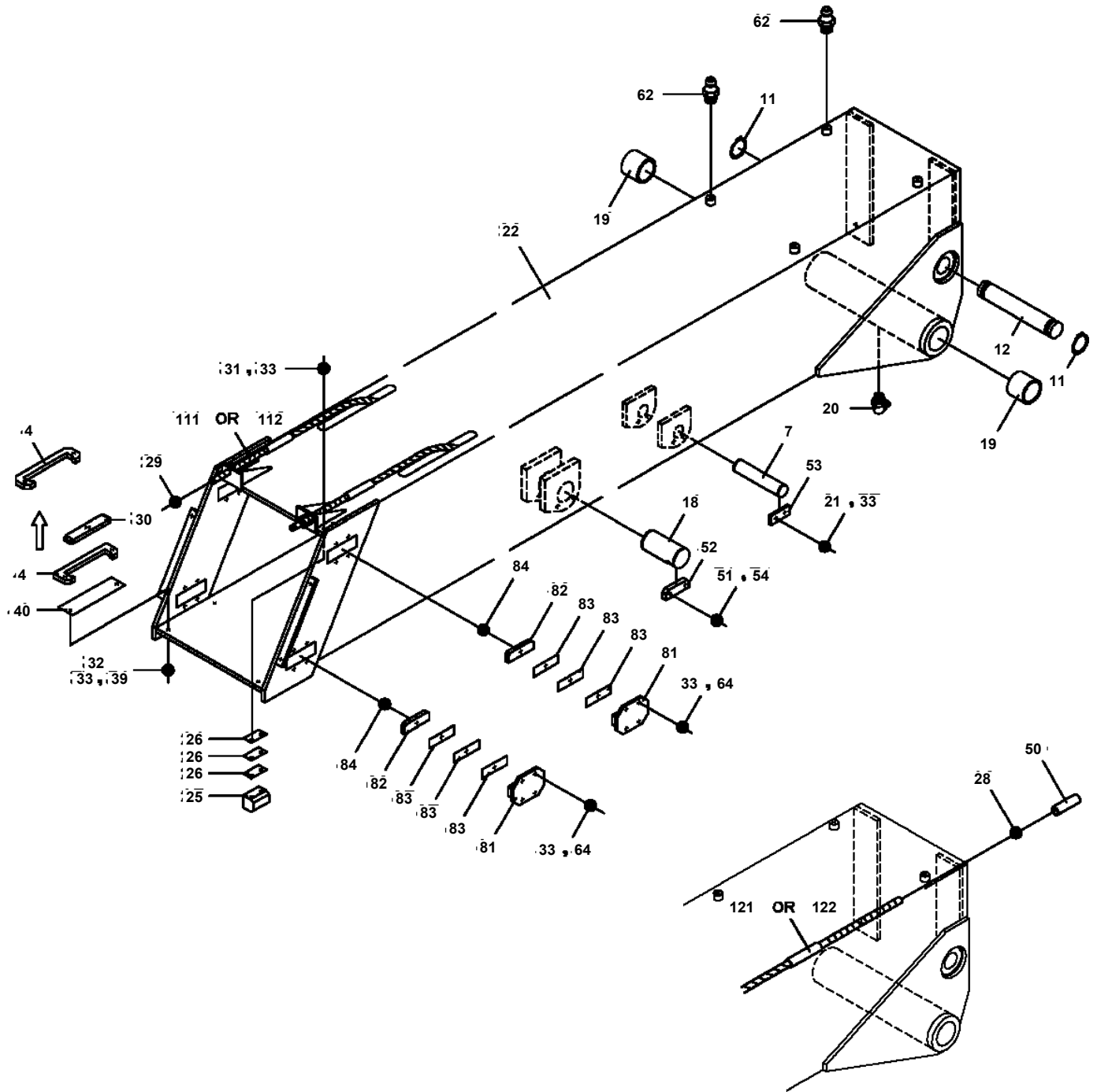
- Thank you very much for reading the preview of the manual.
- You can download the complete manual from: [www.heydownloads.com](http://www.heydownloads.com) by clicking the link below



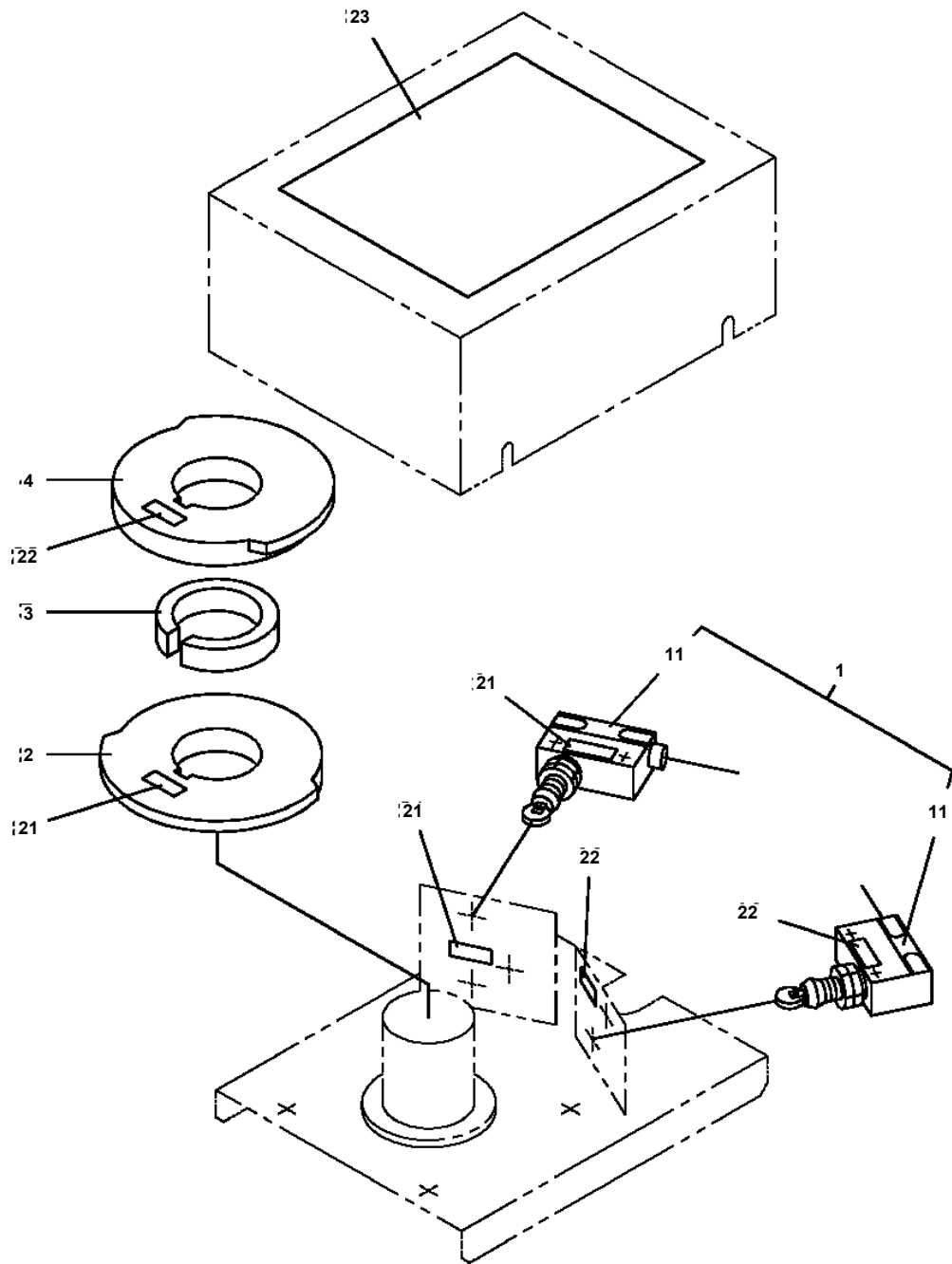
- Please note: If there is no response to CLICKING the link, please download this PDF first and then click on it.

CLICK HERE TO **DOWNLOAD** THE COMPLETE MANUAL

AT-120-1 42024100006 UPPER  
PG1010501-00 BOOM



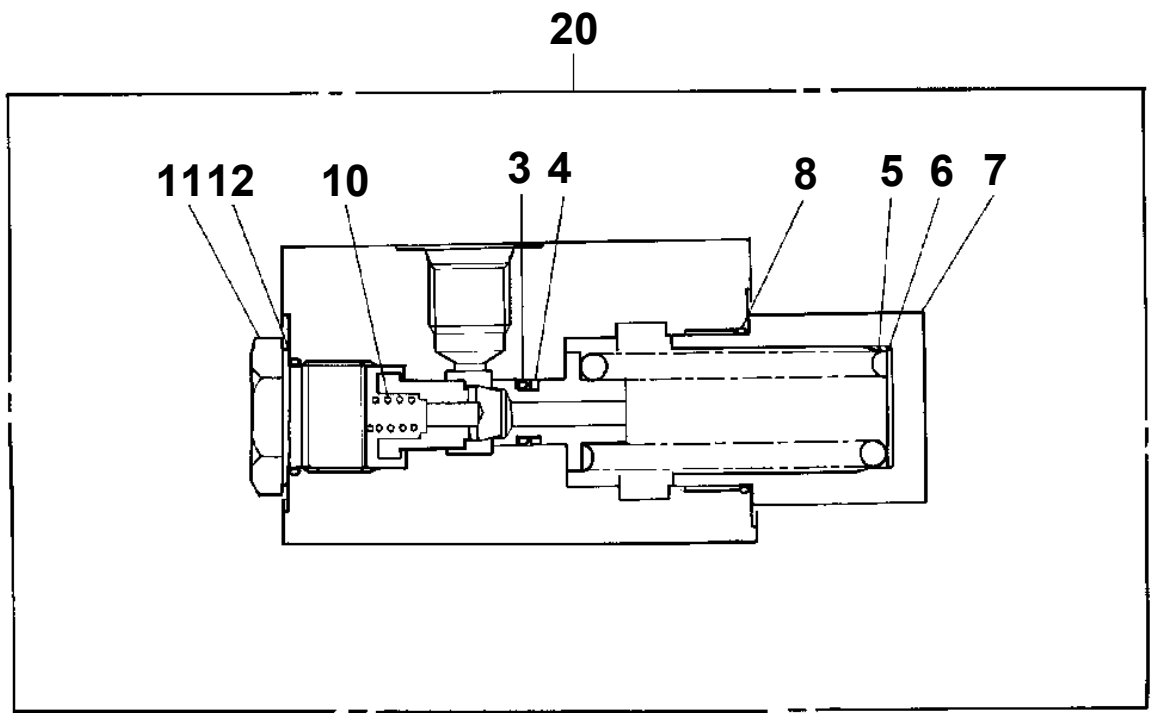
**AT-120-1 42024100006 UPPER  
PH1140031-00 DETECTOR, SWING ANGLE**



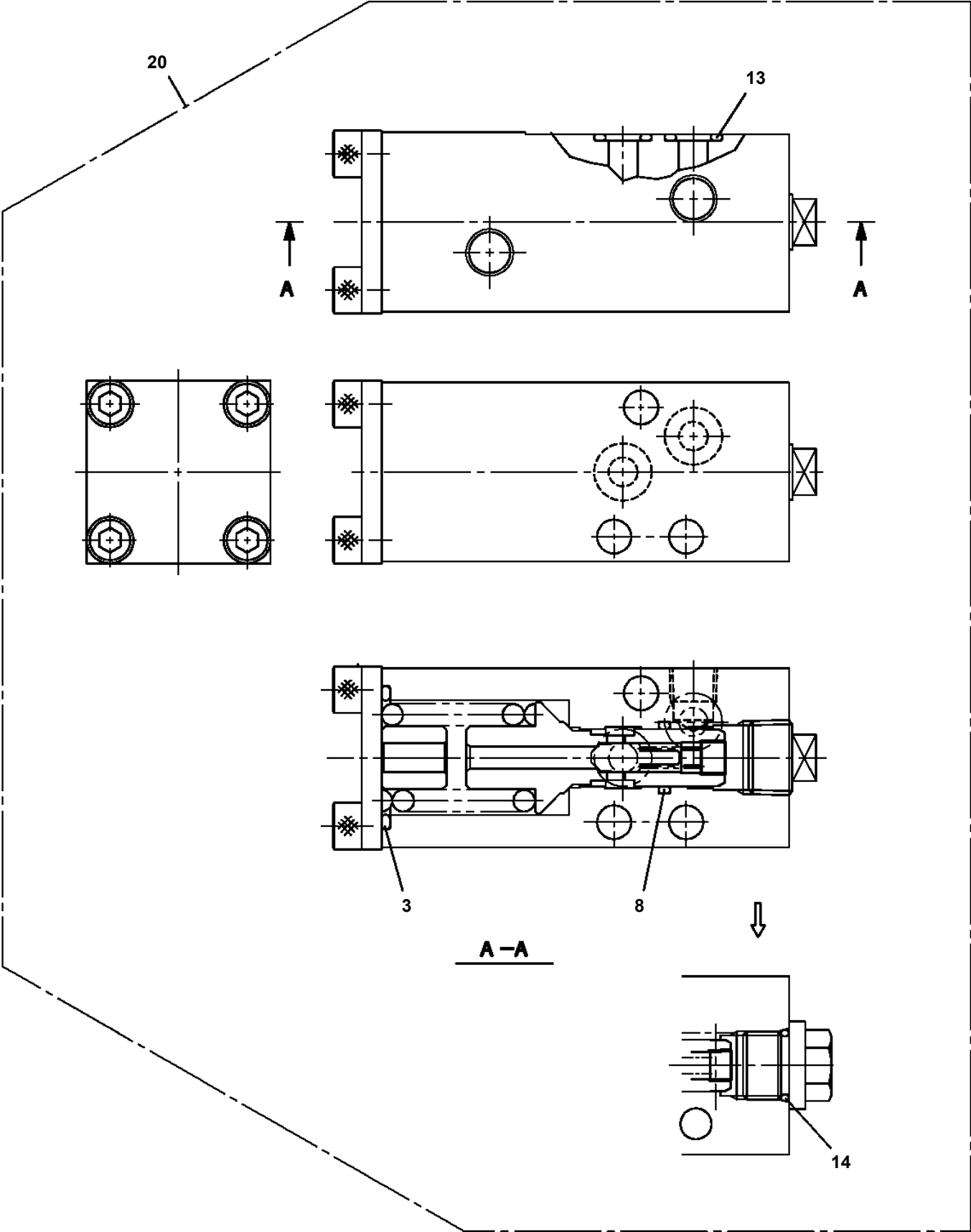
**AT-120-1 42024100006 UPPER**  
**PI1100007-00 VALVE,RELIEF**

Assembly Name VALVE, RELIEF

PI110-0007 00



**AT-120-1 42024100006 UPPER  
PI1250040-02 VALVE,COUNTERBALANCE**



# AT-120-1 4202410006 UPPER

Pos No.	Parts No	Parts Name	Qty	Unit	Technical Data	Serial No (Start)	Serial No (End)	Remarks
1	90101208016	BOLT	14		M8X16			
2	90302040801	WASHER,SPRING	14		8			
3	90171112060	BOLT	12		M12X60			
4	90201781200	NUT	16		M12			
5	90302041201	WASHER,SPRING	8		12			
6	90303071201	WASHER,PLAIN	8		12			
7	90201201200	NUT	2		M12			
8	42260511290	PLATE	3					
9	90303070801	WASHER,PLAIN	12		8			
10	80136363050	PIN,SPLIT	1		6.3X50			
11	42261741000	FRAME ASSY	1					
12	42261741501	COVER	1					
13	42261742000	POST ASSY	1					
14	42261742500	COVER	1					
16	42261743500	GUIDE	1					
17	42261743550	WHEEL,WORM	1					
18	90303071001	WASHER,PLAIN	4		10			
19	90171110030	BOLT	4		M10X30			
20	90302041001	WASHER,SPRING	4		10			
21	37000553590	PLATE	2					
22	90102212070	BOLT	2		M12X70			
24	37000155560	PIN	1					
32	80601110750	RING,RITAINING	1		S75			
33	80186406016	SCREW,MACHINE	12		M6X16			
34	90305260601	WASHER	12		B1-6			
36	37000525140	PLATE	1					
37	42261891001	BASKET	1					
38	42261740101	PANEL	1					
39	42261743900	GUIDE	1					
40	42261744000	GUIDE	1					
42	80513006015	BEARING,BALL	2					
52	80820003030	BEARING,PLAIN	2				587069	
	80801003030	BEARING,PLAIN	2			587070		
71	44260300110	GEAR,WORM	1					
72	44260300150	SPACER	1					
73	44260300160	SPACER	1					
74	44260300170	COVER	1					
75	44260300180	SHIM	5					
76	44260300190	SHIM	5					
77	44260300200	SHAFT	1					
78	44260300210	SUPPORT	2					
79	44260300220	COUPLING	2				587054	
	44260300221	COUPLING	2			587055	587388	
80	44260300300	SUPPORT	1					
81	44260301000	MOTOR,ELECTRIC (24V)	1					
82	44260301200	MOTOR,ELECTRIC (24V)	1					
83	80516005305	BEARING,BALL	2					
84	80913112230	KEY	1					
85	80913112140	KEY	4					
86	90172112035	BOLT,HEXAGON SOCKET	4		M12X35			
87	90302041201	WASHER,SPRING	4		12			
88	90172105022	BOLT,HEXAGON SOCKET	6		M5X22			
89	90302040501	WASHER,SPRING	6		5			
90	90710003080	SCREW,SET	4		M3X8		587054	
91	44260300130	PLATE	2					
100	44260308020	GEAR ASSY	1					
132	90740004040	SCREW,SET	2		M4X4		587054	
141	44260301100	MOTOR,ELECTRIC	1					
145	44260301150	COVER	2					
146	91810132530	FASTENER	4					
151	44260301300	MOTOR,ELECTRIC	1					
161	44260307530	WASHER,TOOTH	2					
167	44260307510	GEAR ASSY (WHEEL)	2					

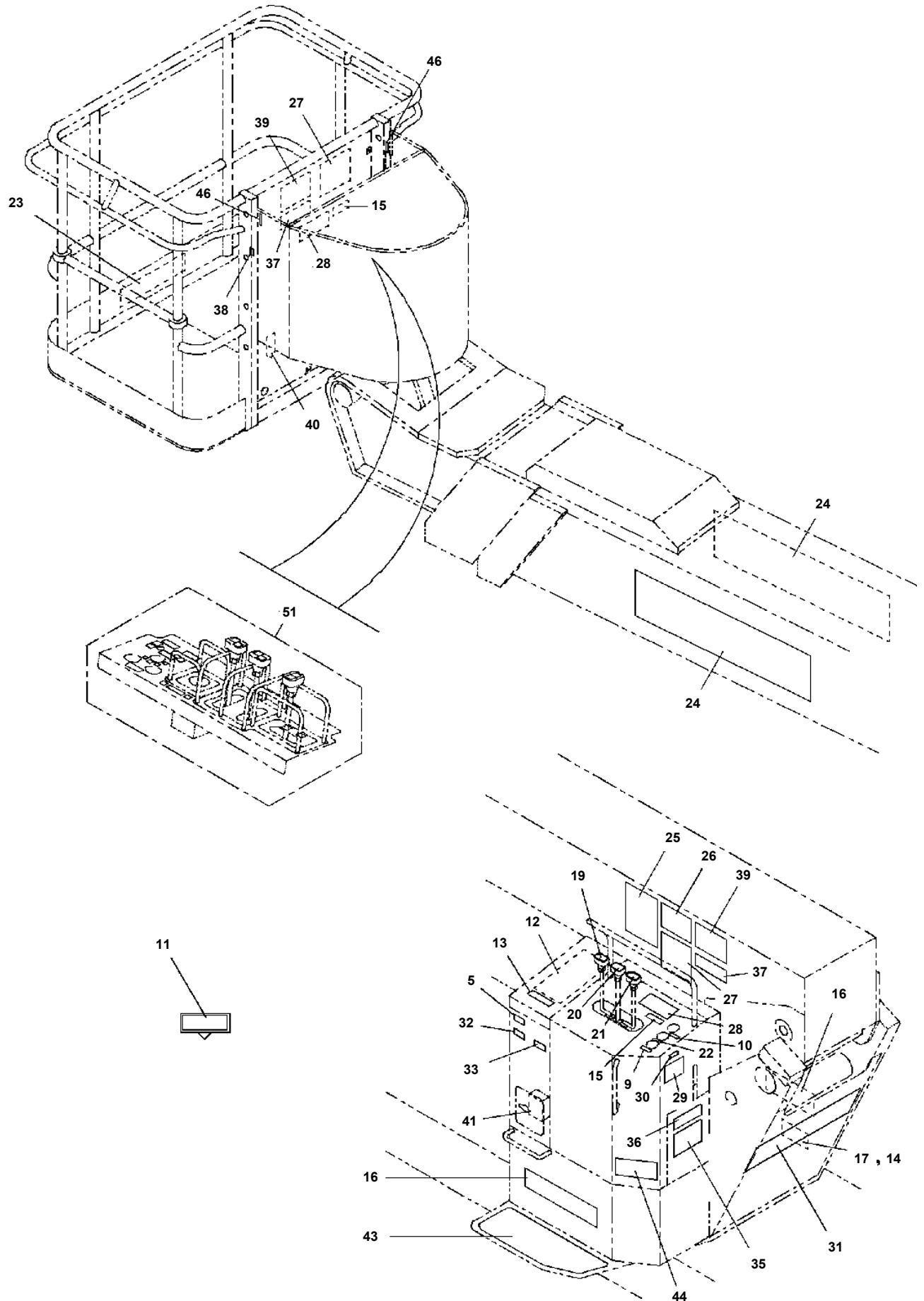
# AT-120-1 4202410006 UPPER

Pos No.	Parts No	Parts Name	Qty	Unit	Technical Data	Serial No (Start)	Serial No (End)	Remarks	Pages
1	42230831000	TABLE,SLEWING	1						
2	37000112680	PIN	1						
3	90101512030	BOLT	2		M12X30		587276		
	90171112030	BOLT	2		M12X30	587277			
4	90302041201	WASHER,SPRING	2		12				
5	37000509190	PLATE	1						
6	37000507730	PLATE	1						
7	90103520045	BOLT	1		M20X45		587276		
	90171320045	BOLT	1		M20X45	587277			
8	90302042001	WASHER,SPRING	1		20				
9	37000112150	PIN	1						
10	37000505950	PLATE	1		T=3.2				
11	90101510022	BOLT	3		M10X22		587276		
	90171110022	BOLT	3		M10X22	587277			
12	90302041001	WASHER,SPRING	3		10				
13	37000132360	PIN	1						
14	37000507560	PLATE	1						
15	90101208012	BOLT	2		M8X12				
16	90302040801	WASHER,SPRING	2		8				
17	32610010040	PLATE	1						
18	37001500250	BOLT	15		M16X70				
19	90303501601	WASHER,PLAIN	15		16				
20	42230150010	PLATE	1						

# AT-120-1 4202410006 UPPER

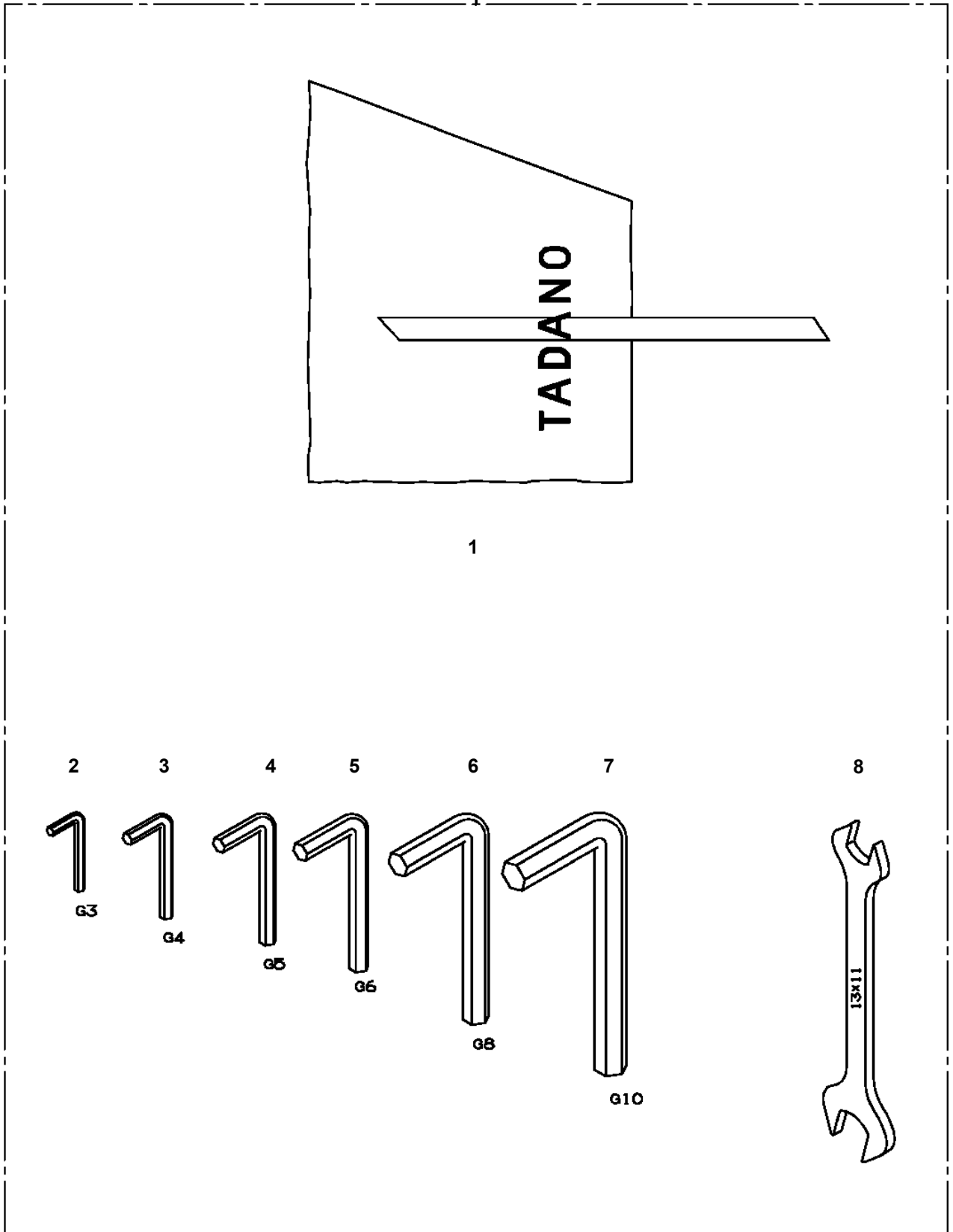
Pos No.	Parts No	Parts Name	Qty	Unit	Technical Data	Serial No (Start)	Serial No (End)	Remarks
1	36663955100	SHAFT	1					
2	80500006206	BEARING,BALL	1					
4	91001206500	O-RING	1		1A G65			
5	36660025021	COVER (OIL SEAL)	1					
6	36660025140	SEAL,OIL	1					
7	36663485110	RING,RETAINING	1		R72			
8	36663955020	PLATE,THRUST	1					
9	36663955030	BARREL ASSY (CYLINDER)	1					
10	36663955040	PLATE (VALVE)	1					
11	36661925030	COVER (BOTTOM)	1					
12	80500006203	BEARING,BALL	1					
13	36662355110	PIN	2					
14	36663955050	O-RING	1					
15	36663955060	BOLT	6		M10X35			
16	14125151020	KEY	1					
17	36660125060	PLUG	2		PF3/8			
18	36081315130	PROTECTOR (THREAD)	2					
44	36660025100	SPRING (PLUNGER)	5					
45	14125151300	RING,RETAINING	1					
46	12645103171	SPRING (CENTER)	1					
100	36664070000	MOTOR,OIL	1					

**AT-120-1 42024100006 UPPER**  
**PO1012511-00 PLATE ASSY,NAME (UPPER)**



AT-120-1 42024100006 UPPER  
PW1030049-01 TOOLS

50



CLICK HERE TO **DOWNLOAD** THE COMPLETE MANUAL

- Thank you very much for reading the preview of the manual.
- You can download the complete manual from: [www.heydownloads.com](http://www.heydownloads.com) by clicking the link below



- Please note: If there is no response to CLICKING the link, please download this PDF first and then click on it.

CLICK HERE TO **DOWNLOAD** THE COMPLETE MANUAL