

AT-115S-1 42053100006 UPPER

**PB1000303-05 HYDRAULIC PRESSURE GENERATING SYSTEM
PC1000237-02 OUTRIGGER SYSTEM
PD1000286-04 SWING SYSTEM
PE1000286-03 ELEVATING SYSTEM
PG1000268-04 TELESCOPING SYSTEM
PH1000550-00 SAFETY DEVICES (MOTION CONTROLLER)
PJ3000057-02 PLATFORM SYSTEM
PK1000295-02 FRAME
PL1000294-05 CONTROL DEVICES
PN1000501-00 ELECTRIC EQUIPMENT
PO1000131-03 INDICATION PLATES
PW1000097-02 ACCESSORIES & TOOLS
PX1000305-03 MOUNTING PARTS
PY1000285-03 OPTIONS
ASSEMBLY**

CLICK HERE TO **DOWNLOAD** THE COMPLETE MANUAL

- Thank you very much for reading the preview of the manual.
- You can download the complete manual from: www.heydownloads.com by clicking the link below



- Please note: If there is no response to CLICKING the link, please download this PDF first and then click on it.

CLICK HERE TO **DOWNLOAD** THE COMPLETE MANUAL

AT-115S-1 42053100006 UPPER

Pos No.	Parts No	Parts Name	Qty	Unit	Technical Data	Serial No (Start)	Serial No (End)	Remarks	P
1	(***** *****)	BOOM	1						0
2	(***** *****)	CYLINDER,TELESCOPING	1						0

AT-115S-1 42053100006 UPPER

Pos No.	Parts No	Parts Name	Qty	Unit	Technical Data	Serial No (Start)	Serial No (End)	Remark
1	(*****)	ELEC.ASSY (BOOM)	1					
2	(*****)	ELEC.ASSY (ANGLE/LENGTH)	1					
3	(*****)	ELEC.ASSY (POWER TRAIN)	1					
4	(*****)	ELEC.ASSY (FRAME)	1					
5	(*****)	ELEC.ASSY (SWING FRAME)	1					
6	(*****)	ELEC.ASSY (PLATFORM)	1					

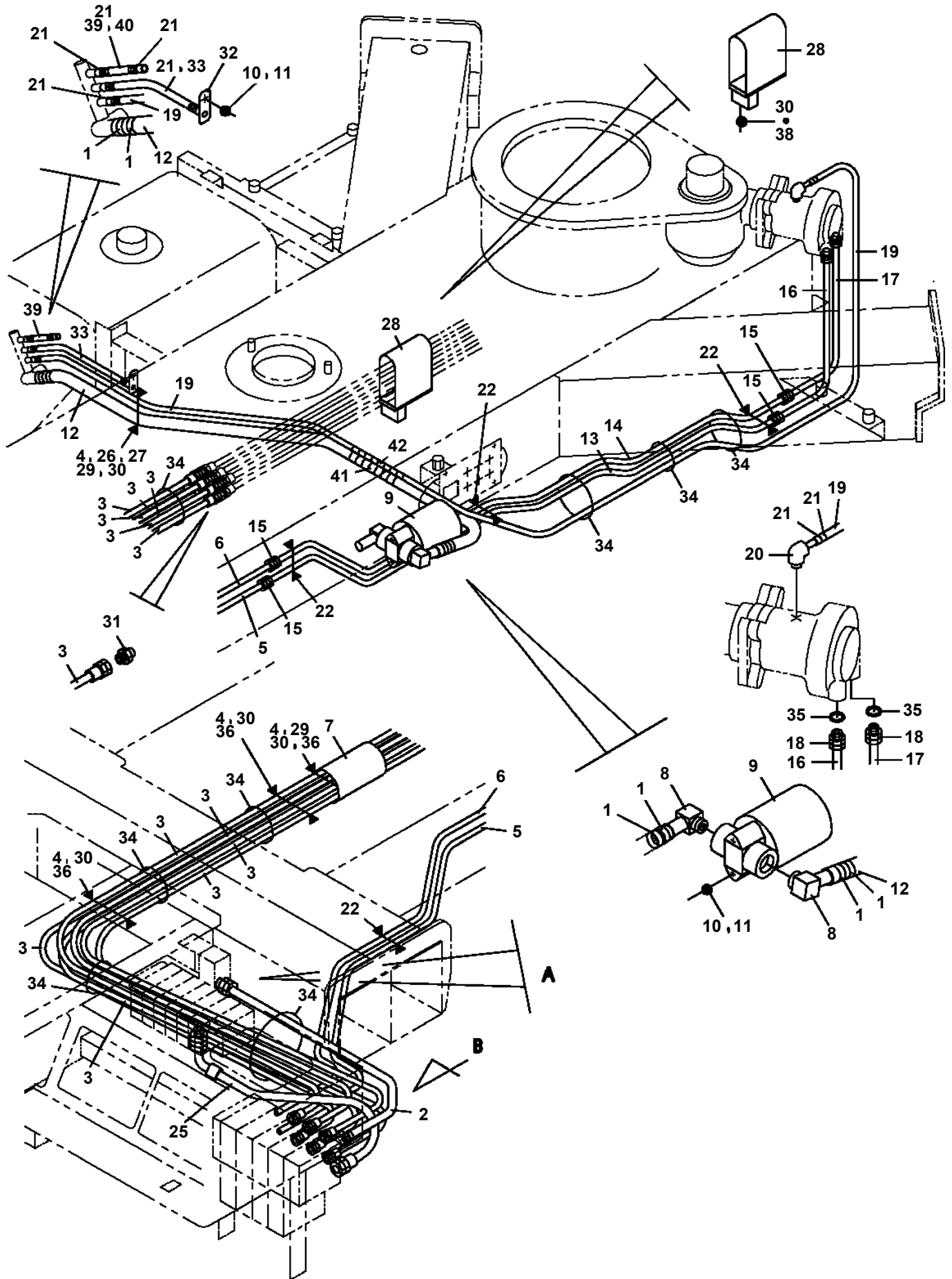
AT-115S-1 42053100006 UPPER

PN1011618-01 ELEC.ASSY (POWER TRAIN)
PN1011619-02 ELEC.ASSY (FRAME)
PN1011620-03 ELEC.ASSY (SWING FRAME)
PN1060083-01 SWITCH PANEL
PN1210031-00 TRANSMITTER,SIGNAL
PO1011960-02 PLATE,INDICATION (UPPER)
PO1012122-01 PLATE ASSY,NAME (BOX,OPERATION)
PO1012123-02 PLATE,INDICATION (UPPER/FOR PLATFORM)
PP5450004-00 PUMP,GREASE (400CC)
PS5530448-00 SWITCH ASSY
PW1010110-07 ACCESSORIES
PW1030049-01 TOOLS
PW1050018-01 WEDGE (STOPPER FOR TIRE/JUSTIN)
PW5110002-00 WEDGE (STOPPER FOR TIRE/WAZUMI)
PW5110003-00 WEDGE (STOPPER FOR TIRE/NAKAMURA KIKI)
PX1260092-00 STEP INSTALLATION
PY1090001-00 BELT,SAFETY
PY1180170-00 LAMP
PY1180191-00 LAMP
PY1910021-00 HOSE (FOR GREASE PUMP)

AT-115S-1 42053100006 UPPER

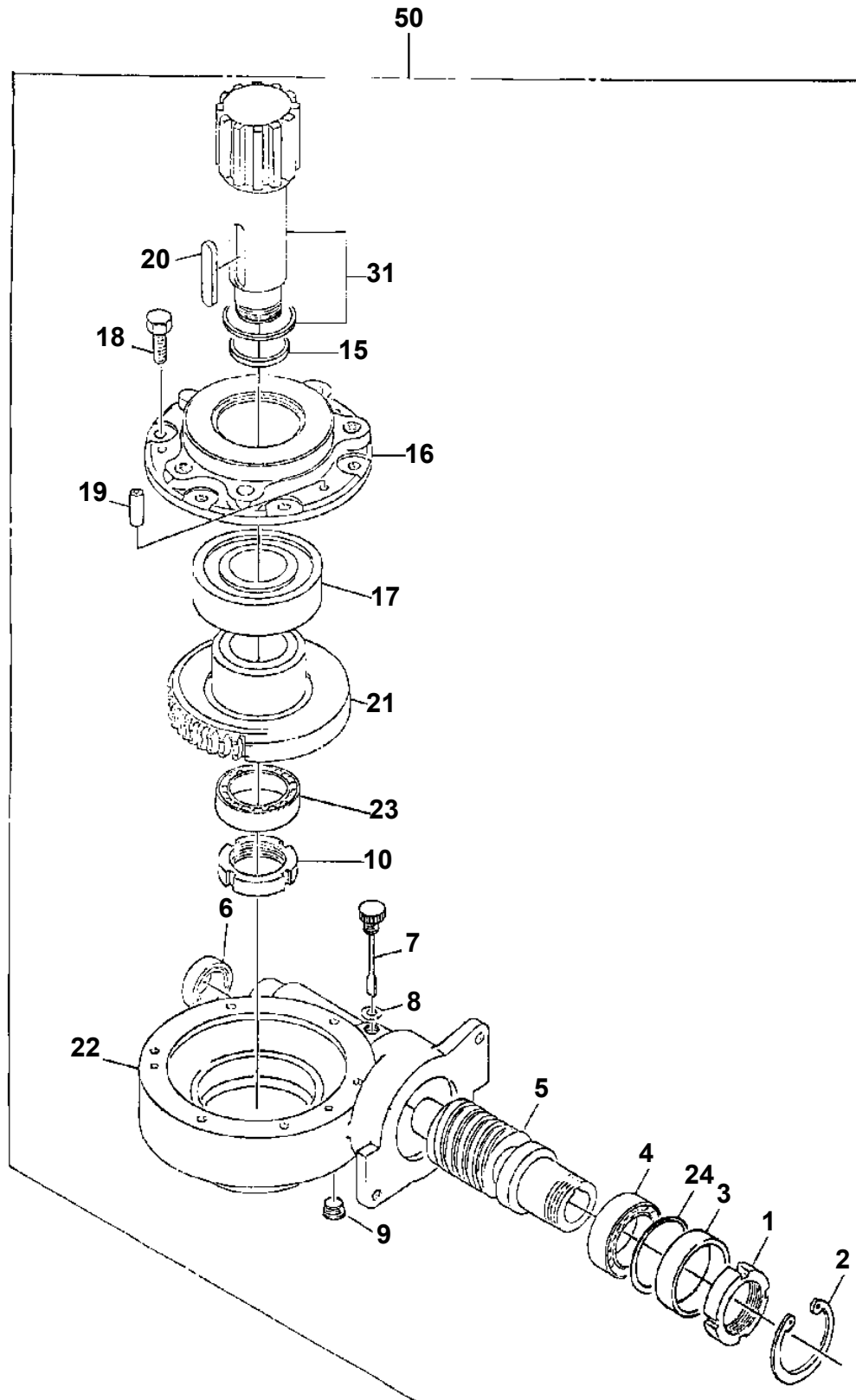
Pos No.	Parts No	Parts Name	Qty	Unit	Technical Data	Serial No (Start)	Serial No (End)	Remarks	P
19	91001214500	O-RING	1		1A G145				
38	42440677520	POTENTIOMETER	1						
44	32440227530	SWITCH	1						
50	42440672000	BRUSH,ROTARY JOINT	1						

**AT-115S-1 42053100006 UPPER
PB1410708-00 PIPING, HYDRAULIC LOWER**

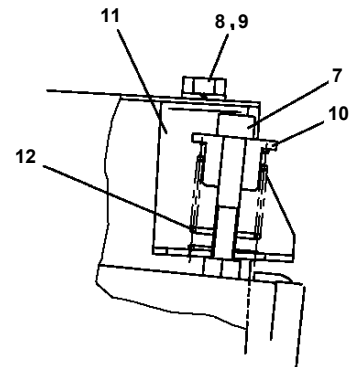
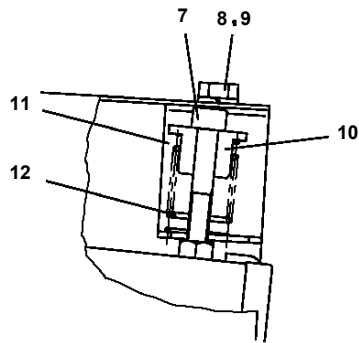
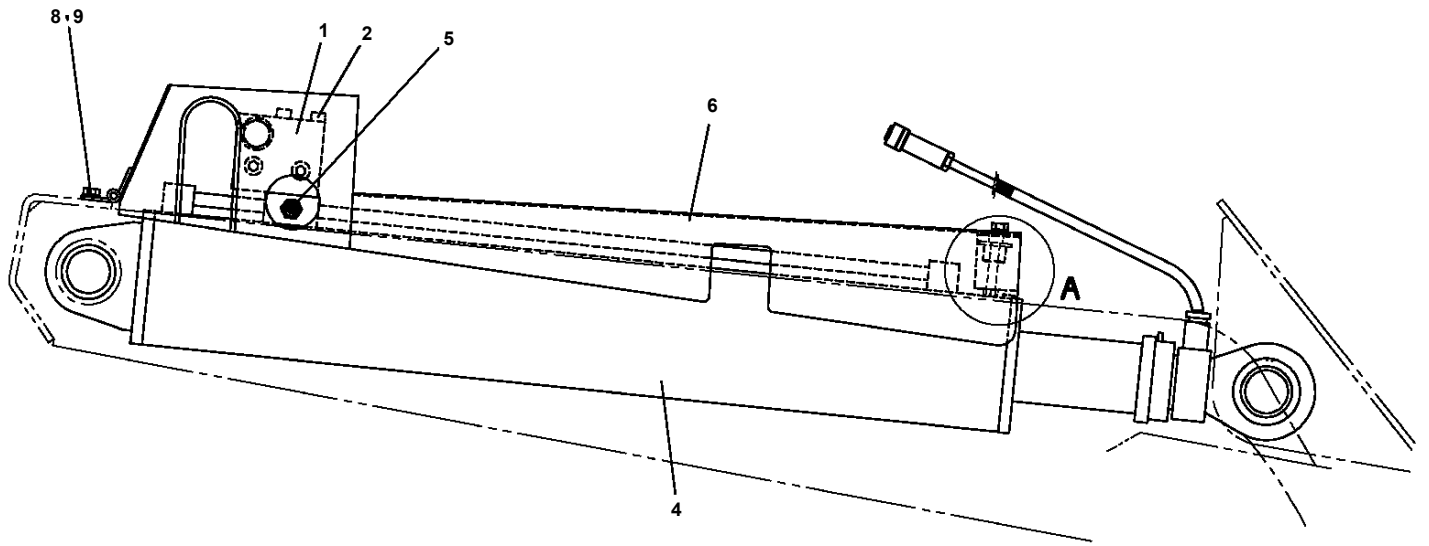


AT-115S-1 42053100006 UPPER
PD1010098-00 REDUCER, SWING SPEED (PLATFORM)

ASSEMBLY NAME REDUCER, SWING SPEED (PLATFORM)



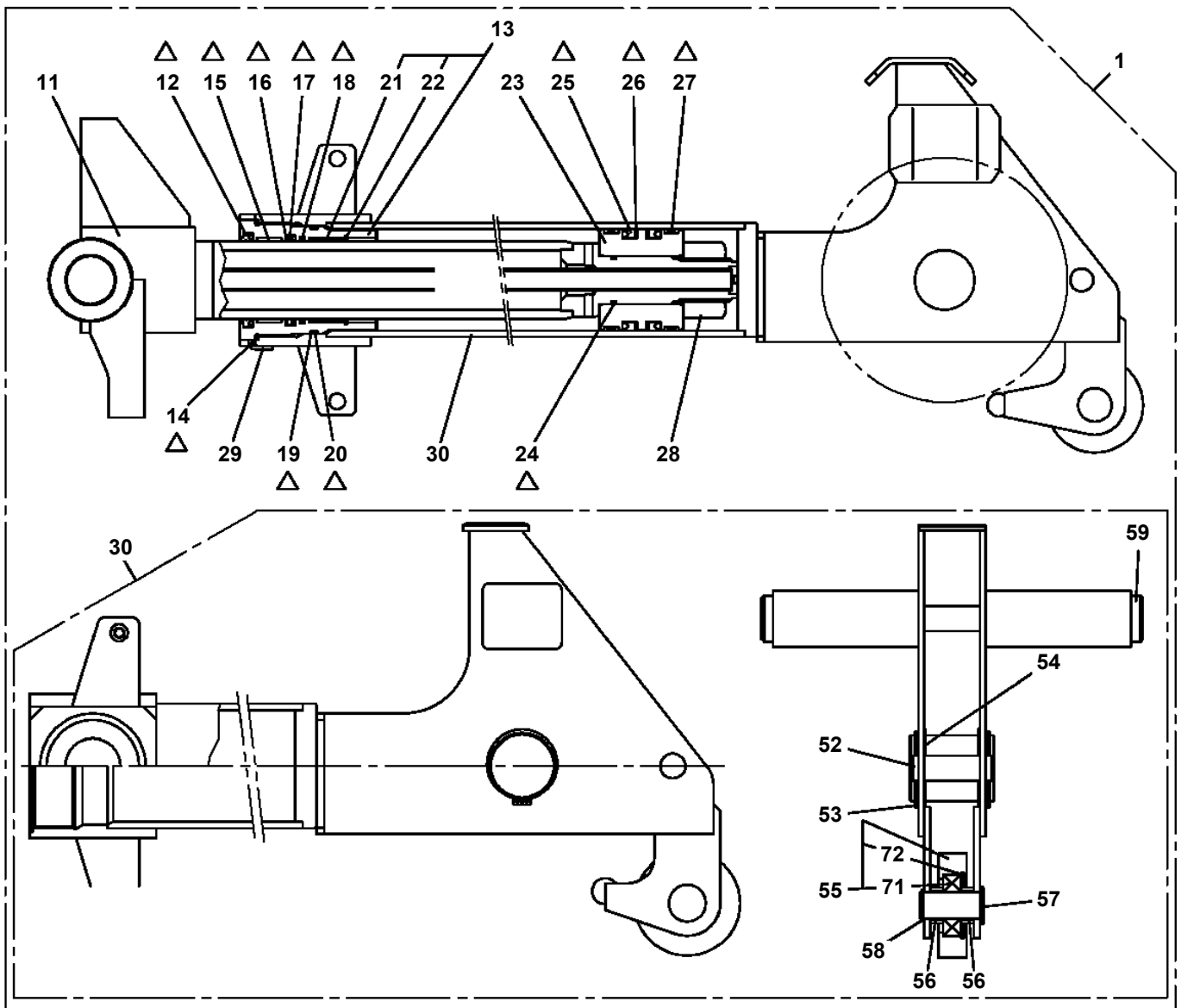
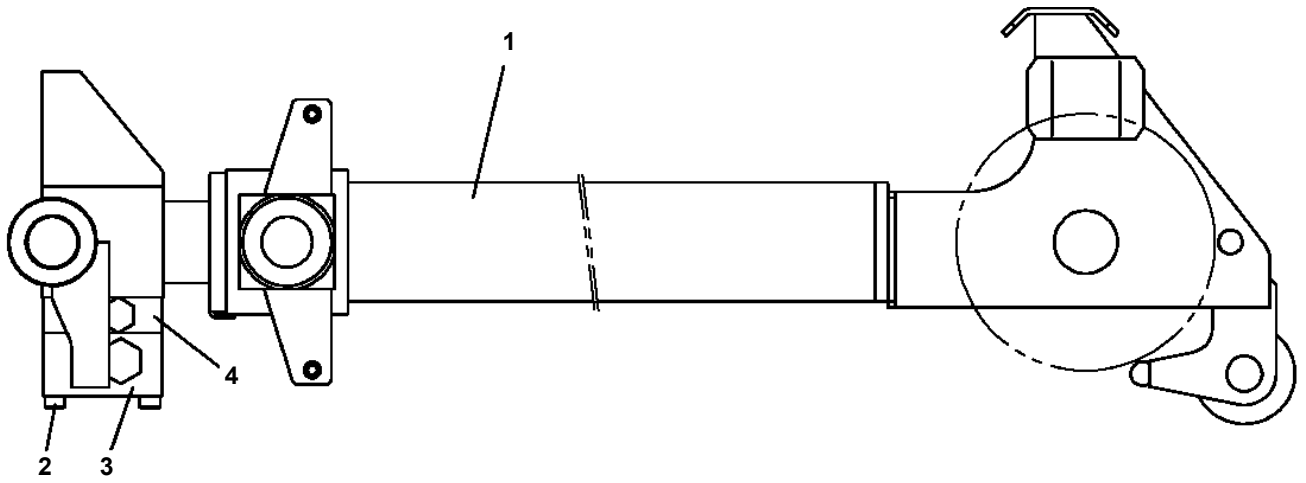
AT-115S-1 42053100006 UPPER
PE1050065-06 CYLINDER,LEVELING



展開図有
ILLUSTRATED BREAKDOWN NO.4

A

**AT-115S-1 42053100006 UPPER
PG1050227-04 CYLINDER,TELESCOPING**



△:PACKING SET KEY NO.80 (KEY NO.12,14,15,16,17,18,19,20,24,25,26,27)

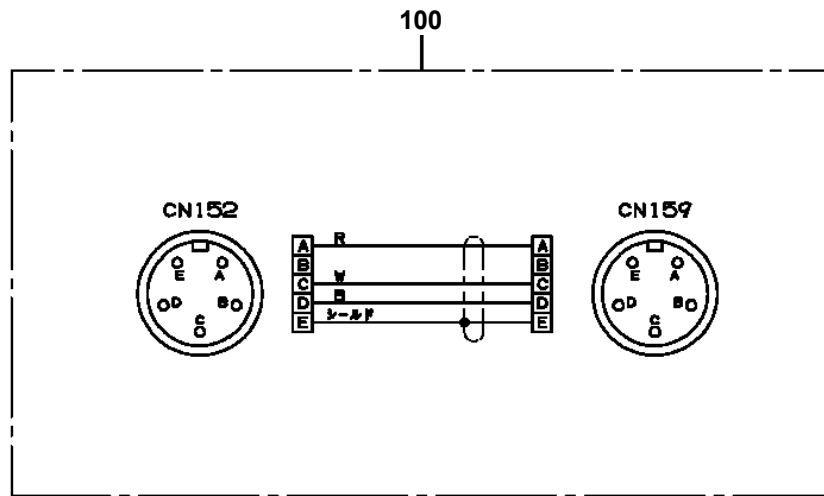


△:PACKING SET KEY NO.81 (KEY NO.12,14,15,16,17,18,19,20,24,25,26,27)



△:PACKING SET KEY NO.82 (KEY NO.12,14,15,16,17,18,19,20,24,25,26,27)

AT-115S-1 42053100006 UPPER
PH5032930-00 HARNESS



CLICK HERE TO **DOWNLOAD** THE COMPLETE MANUAL

- Thank you very much for reading the preview of the manual.
- You can download the complete manual from: www.heydownloads.com by clicking the link below

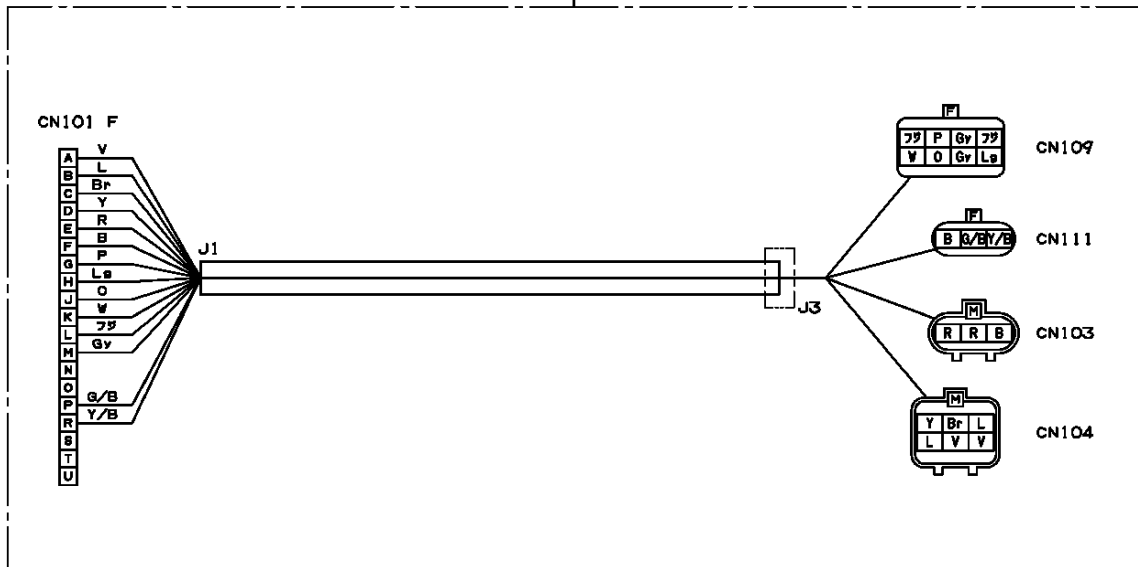


- Please note: If there is no response to CLICKING the link, please download this PDF first and then click on it.

CLICK HERE TO **DOWNLOAD** THE COMPLETE MANUAL

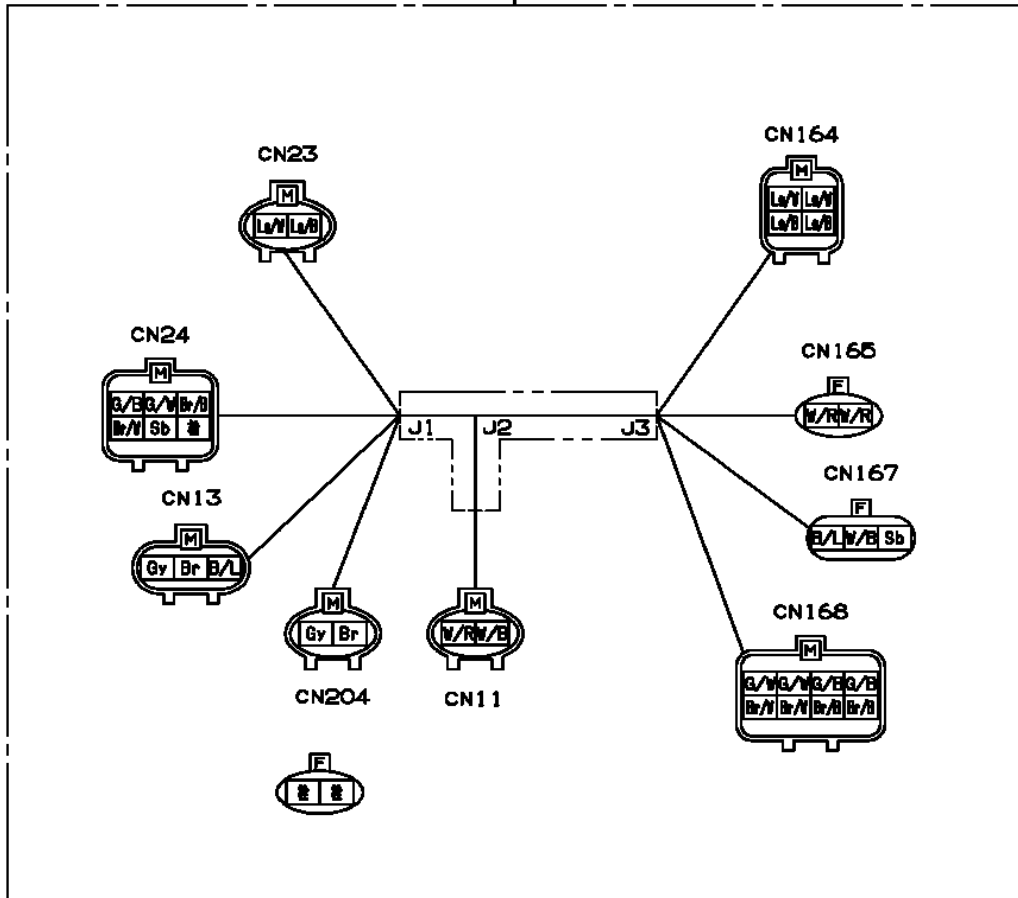
AT-115S-1 42053100006 UPPER
PH5033013-00 HARNESS

100



AT-115S-1 42053100006 UPPER
PH5033021-00 HARNESS

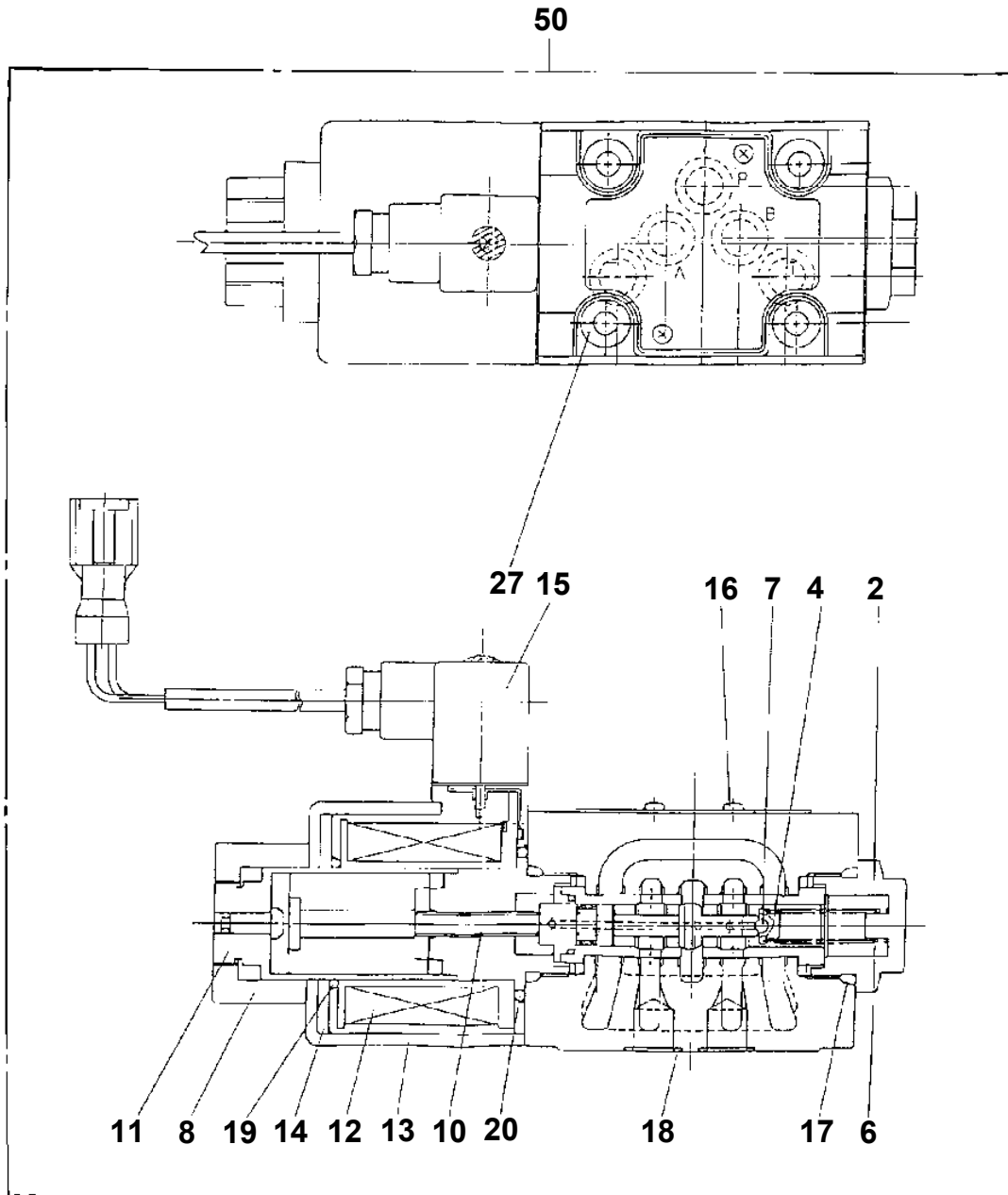
100



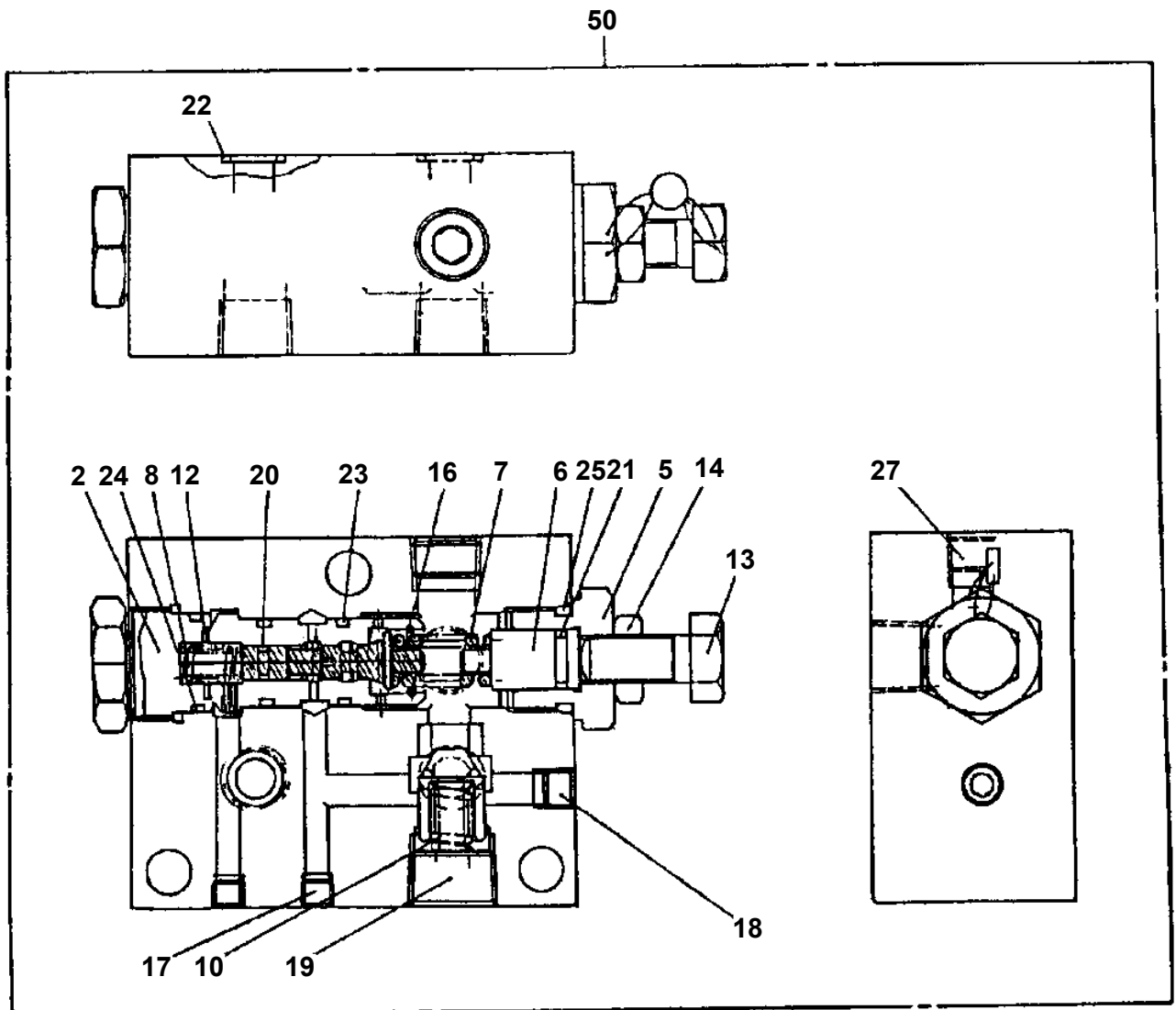
**AT-115S-1 42053100006 UPPER
PI1120183-00 VALVE, SOLENOID**

Assembly Name VALVE, SOLENOID

1112-0105-00



AT-115S-1 42053100006 UPPER
PI1250039-00 VALVE,COUNTERBALANCE



AT-115S-1 42053100006 UPPER

Pos No.	Parts No	Parts Name	Qty	Unit	Technical Data	Serial No (Start)	Serial No (End)	Remarks	Page
1	42342560100	JOINT	1						
2	90101210018	BOLT	4		M10X18				
3	90302040801	WASHER,SPRING	11		8				
4	90101208012	BOLT	11		M8X12				
5	42342561000	JOINT ASSY	1						
8	37002417730	HOSE	4		L=825				
9	37002408430	HOSE	1		L=375				
10	37002439830	HOSE	1		L=830				
11	80430450650	JOINT	1						
12	37000912140	JOINT	1						
13	37000714040	CLAMP ASSY	1		18X2				
14	82100002040	CLAMP	1		WE15				
16	42342560300	JOINT	1						
17	42342560400	SHEAVE	1						
18	42342560500	GUIDE	1						
19	42342560600	SHEAVE	1						
20	42342560700	GUIDE	1						
21	37002451210	HOSE	4		L=8800				
22	37002451220	HOSE	1		L=8860				
23	90303070801	WASHER,PLAIN	2		8				
24	42342560800	JOINT	1						
27	42342560900	COVER	1						
28	90201201000	NUT	4		M10				
29	91002801400	O-RING	2		1B P14				
30	82100001411	TUBE,SPIRAL	4	M	SE-08BK				
31	37002443780	HOSE	1		L=1400 TO 1380				
32	37002423670	HOSE	1		L=1300				
33	37000300740	SLEEVE	1		18-12				
34	37002453660	HOSE	1		L=340				
35	90302041001	WASHER,SPRING	4		10				
36	37000919790	JOINT	2						
37	82100001803	TUBE,CORRUGATE	3	M	13				
38	82100001804	TUBE,CORRUGATE	1	M	15				

AT-115S-1 42053100006 UPPER

Pos No.	Parts No	Parts Name	Qty	Unit	Technical Data	Serial No (Start)	Serial No (End)	Remarks	Pages
1	31300421001	COVER	1						
2	31300422001	COVER	1						
3	80183308014	SCREW,MACHINE	4		M8X14				
4	90303071001	WASHER,PLAIN	4		10				

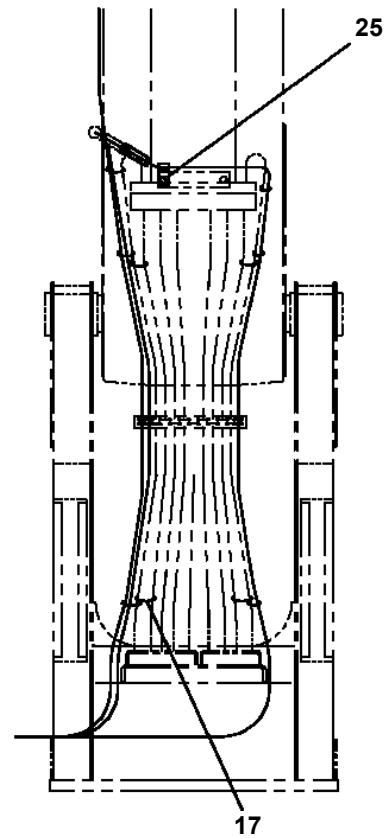
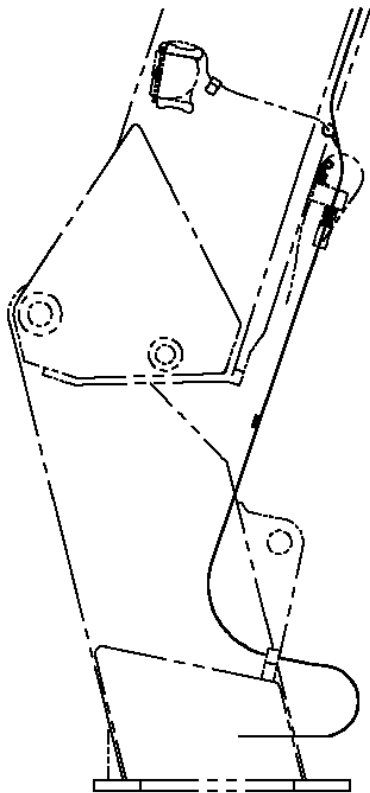
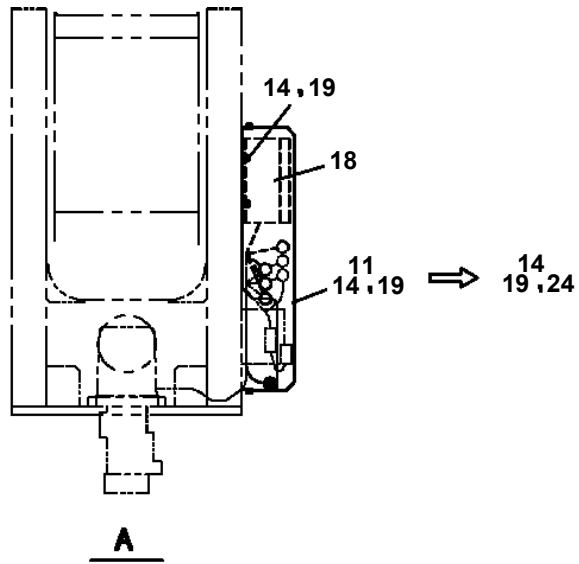
AT-115S-1 42053100006 UPPER

Pos No.	Parts No	Parts Name	Qty	Unit	Technical Data	Serial No (Start)	Serial No (End)	Remarks
1	42331517510	CASE ASSY	1					
5	32350141140	BOARD,CIRCUIT	1					
6	42330971150	BOARD,CIRCUIT	1					
11	42351267550	STUD	6					
12	42330977560	STUD	9					
19	82100001397	LAMP (CLEARANCE)	1					
20	82105210311	SWITCH,TOGGLE	1					
21	82199504280	CAP	1					
27	42331517520	SUPPORT	1					
28	42330977570	BUSH	1					
29	42331517530	INSULOCK	3					
30	42330977580	BASE	3					
32	42331517540	CLAMP	1					
33	42331517550	TUBE	1		0.1M			
34	82466100702	CATCH	1					
35	42331107530	STOPPER	1					
42	82163351221	LAMP,PILOT	4					
43	42331377530	SWITCH,BUTTON	1					
44	42331377540	RING	1					
45	42330077590	SWITCH,TOGGLE	1					
46	82100002474	SWITCH,TOGGLE	2					
47	82100002483	SWITCH,TOGGLE	1					
48	44320327510	SWITCH,TOGGLE	1					
49	82100000665	CAP (BLACK)	5					
50	42331377550	JOY STICK,CONTROLLER	3					
51	42331377560	JOY STICK,CONTROLLER	1					
52	42331107510	GUARD	3					
53	42331107520	GUARD	1					
56	42330977640	WASHER,SEAL	16		M4			
63	(*****)	P-ROM	1					
64	(*****)	P-ROM	1					
71	42330977650	FUSE (3A,5.2X20,MF-51>	1					
81	82100000501	BULB,LAMP	1		24V 3W			
91	42330037810	KNOB	4					
92	42330037800	BOOT	4					
100	42331511000	BOX,OPERATION	1					

AT-115S-1 42053100006 UPPER

Pos No.	Parts No	Parts Name	Qty	Unit	Technical Data	Serial No (Start)	Serial No (End)	Remark
1	90101208014	BOLT	4		M8X14			
2	90302040801	WASHER,SPRING	4		8			
3	36140120000	DETECTOR,ANGLE	1					
4	36131210000	DETECTOR,BOOM LENGTH	1					
5	90101206020	BOLT	5		M6X20			
6	90302040601	WASHER,SPRING	7		6			
7	82100002012	CLAMP	1		WR18			
8	90201200600	NUT	8		M6			
9	82100002006	CLAMP	2		WR10			
10	82100001801	TUBE,CORRUGATE	1	M	7			

**AT-115S-1 42053100006 UPPER
PN1011620-03 ELEC.ASSY (SWING FRAME)**

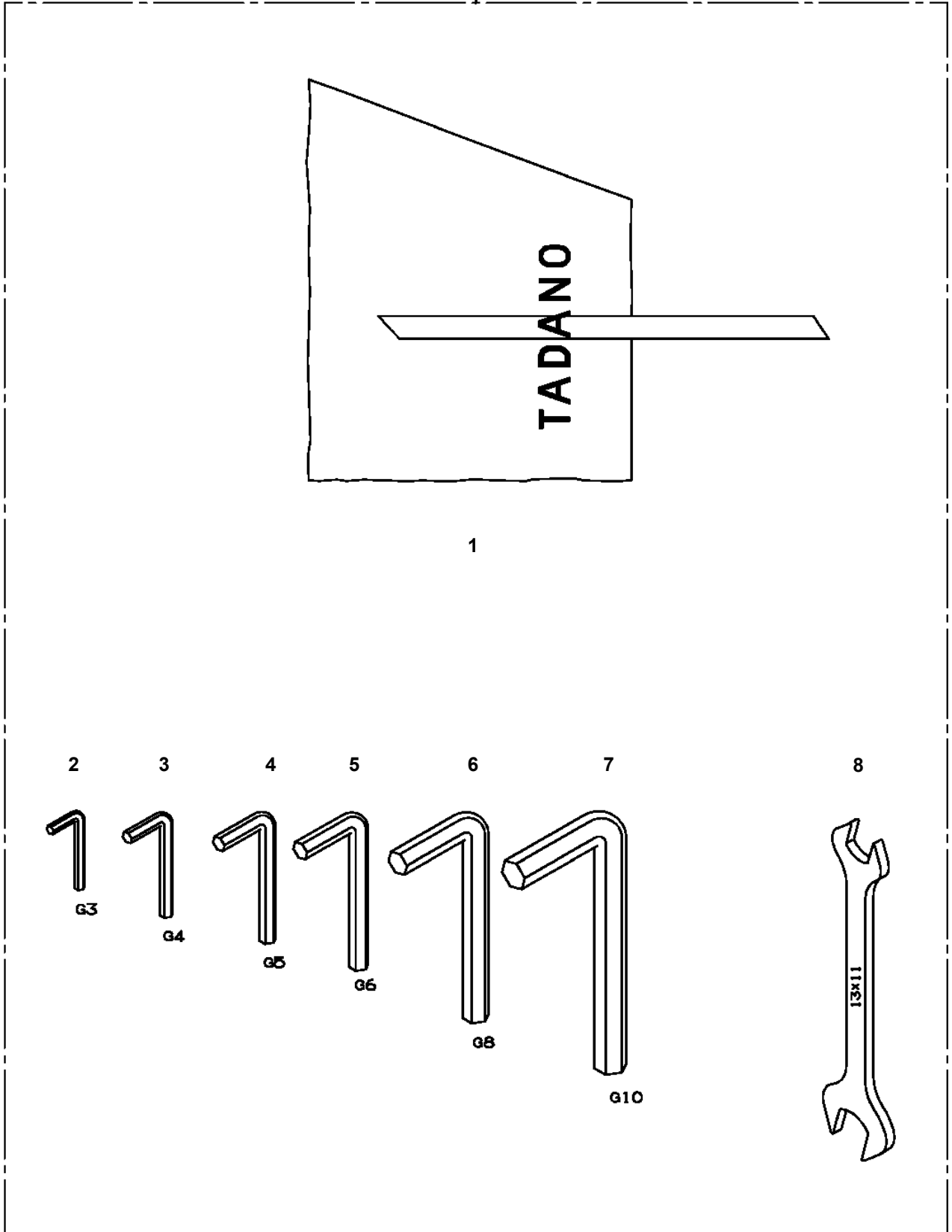


AT-115S-1 42053100006 UPPER

Pos No.	Parts No	Parts Name	Qty	Unit	Technical Data	Serial No (Start)	Serial No (End)	Remarks	Page
1	42391861100	PLATE,NAME	1						
2	44390611011	NAME PLATE ASSY	1						

AT-115S-1 42053100006 UPPER
PW1030049-01 TOOLS

50



CLICK HERE TO **DOWNLOAD** THE COMPLETE MANUAL

- Thank you very much for reading the preview of the manual.
- You can download the complete manual from: www.heydownloads.com by clicking the link below



- Please note: If there is no response to CLICKING the link, please download this PDF first and then click on it.

CLICK HERE TO **DOWNLOAD** THE COMPLETE MANUAL