

AT-111-1 42077140500 UPPER,ISUZU KR-NKR81EP5EXY
PX1000764-00 MOUNTING PARTS
ASSEMBLY

CLICK HERE TO **DOWNLOAD** THE COMPLETE MANUAL

- Thank you very much for reading the preview of the manual.
- You can download the complete manual from: www.heydownloads.com by clicking the link below



- Please note: If there is no response to CLICKING the link, please download this PDF first and then click on it.

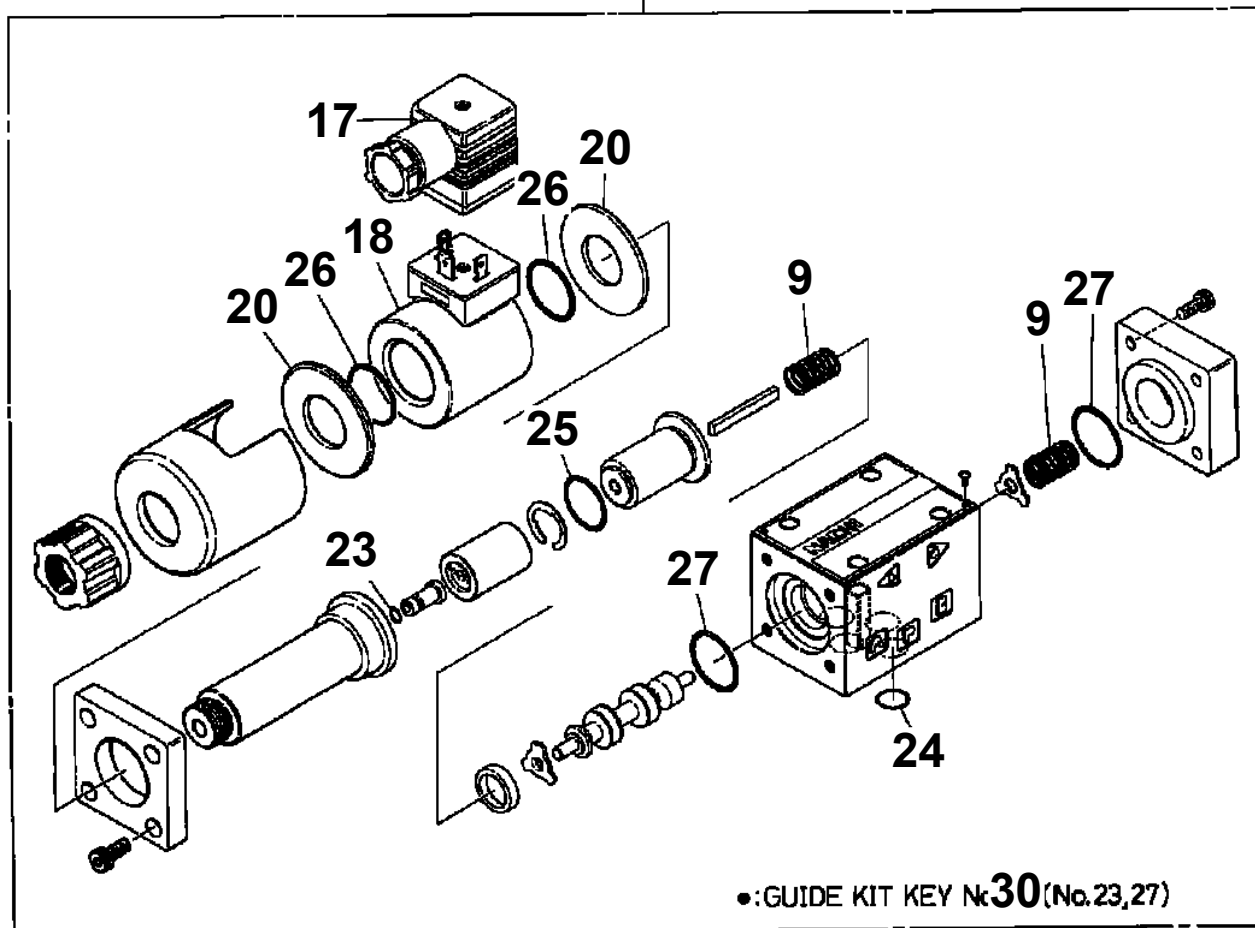
CLICK HERE TO **DOWNLOAD** THE COMPLETE MANUAL

AT-111-1 42077140500 UPPER,ISUZU KR-NKR81EP5EXY

Pos No.	Parts No	Parts Name	Qty	Unit	Technical Data	Serial No (Start)	Serial No (End)	Remarks
1	80400160190	JOINT (WITH O-RING)	1					
2	37002500480	HOSE	1		L=1450			
3	91803880070	CLIP	3		D=13.1-16.2			
4	37000711010	CLAMP ASSY	2		18X1			
5	81408000241	PIPE,STEEL	1	M	18X1.9T			
8	81408000241	PIPE,STEEL	1	M	18X1.9T			
9	33340440030	HOSE	1		19X30.6			
10	91803600300	CLIP	4		D=22-30			
11	80400160131	JOINT	1					
12	91002801800	O-RING	1		1B P18			
13	44340011200	JOINT	1		PF1			
14	91002802900	O-RING	2		1B P29			
15	36672280000	FILTER,OIL (YAMASHIN)	1					
16	81408000241	PIPE,STEEL	1	M	18X1.9T			
17	37002503730	HOSE	1		L=250			
18	90101208020	BOLT	4		M8X20			
19	90302040801	WASHER,SPRING	18		8			
20	37002467710	HOSE	1		L=550			
21	80430450850	JOINT	1					
22	80321618050	VALVE,CHECK	2					
23	80305010160	FITTING,TEE	2		KTA18-000E			
24	82100002016	CLAMP	1		WR25			
25	42645550200	FITTING,FLANGE	1					
26	91001204500	O-RING	1		1A G45			
27	90101208025	BOLT	7		M8X25			
28	90201200800	NUT	3		M8			
29	37002438980	HOSE	1		L=670			
30	37002514080	HOSE	1		L=820			
31	82100002019	CLAMP	1		WR40			
32	42643050010	SUPPORT	1					
33	91803600400	CLIP	8		D=27-40			
34	91810132530	FASTENER	3					
35	42643050600	SUPPORT	1					
36	90101208060	BOLT	2		M8X60			
37	82100002017	CLAMP	1		WR30			
38	80315020140	JOINT	1		STB3/4X1/2			
39	36672830000	ACCUMULATOR	1					
40	80306040100	JOINT	1		STRN3/4X1/2			
41	42645550300	FITTING,FLANGE	1					
42	91002902500	O-RING	1		1B G25			
43	42645550400	FITTING,FLANGE	1					
44	91002903000	O-RING	1		1B G30			
45	90101210025	BOLT	4		M10X25			
46	90302041001	WASHER,SPRING	4		10			
47	42645920100	JOINT	1					
48	42645920200	JOINT	1					
49	80303130321	FITTING,ELBOW	1		KLO28-080E			
50	80311010240	FITTING	1		KRE18-150E			
51	81408000241	PIPE,STEEL	1	M	18X1.9T			
52	81408000241	PIPE,STEEL	1	M	18X1.9T			
53	81408000241	PIPE,STEEL	1	M	18X1.9T			
54	81408000241	PIPE,STEEL	1	M	18X1.9T			
55	81408000210	PIPE,STEEL	1	M	15X2.0T			
56	90303070801	WASHER,PLAIN	1		8			
57	90101208040	BOLT	1		M8X40			
58	90101208016	BOLT	2		M8X16			
59	80301010160	FITTING	1		KUA18-000N			
60	42645920300	INSULATER ASSY	1					
61	90101208022	BOLT	2		M8X22			
81	91002801100	O-RING	2		1B P11			
91	42644830110	JOINT	1					
92	80302090241	FITTING	3		KCO18-040N			
93	91002801800	O-RING	4		1B P18			

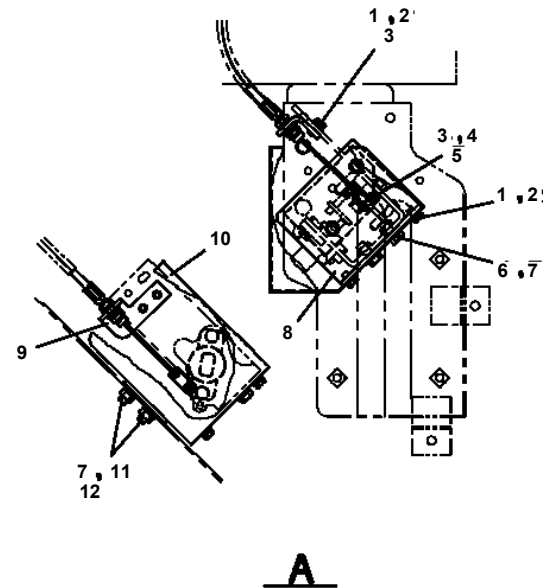
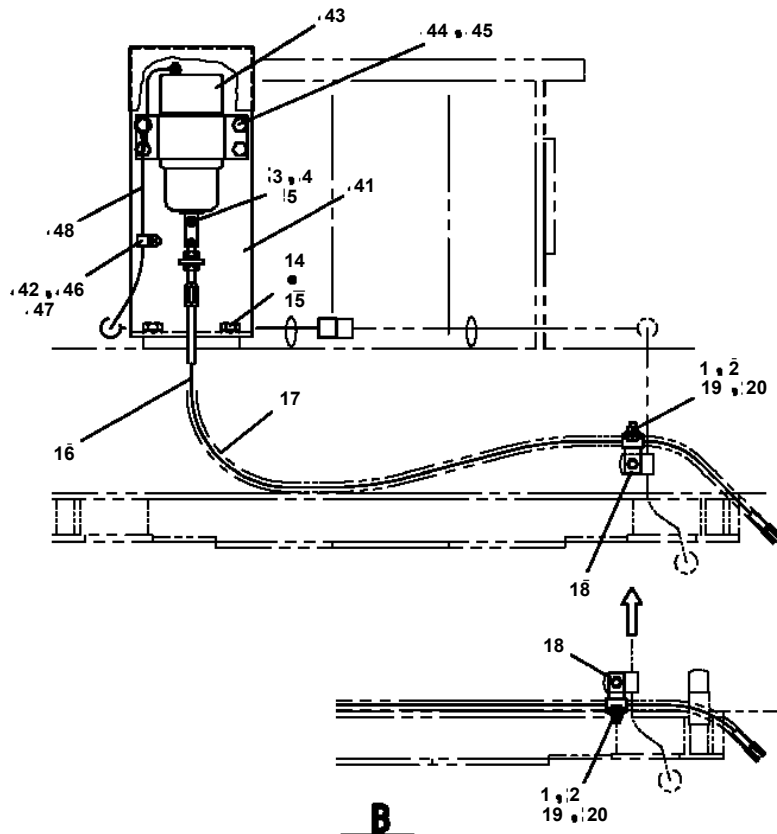
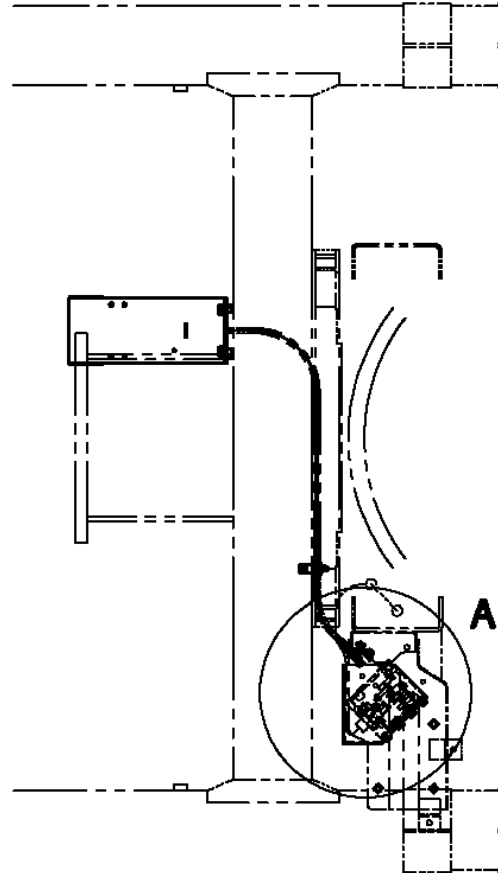
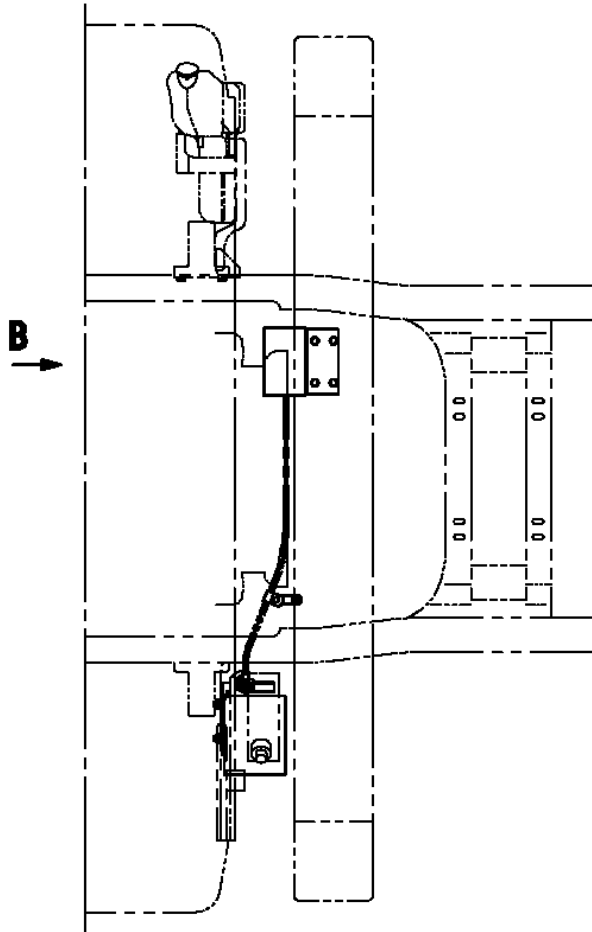
AT-111-1 42077140500 UPPER,ISUZU KR-NKR81EP5EXY
PI1120150-02 VALVE,SOLENOID

200

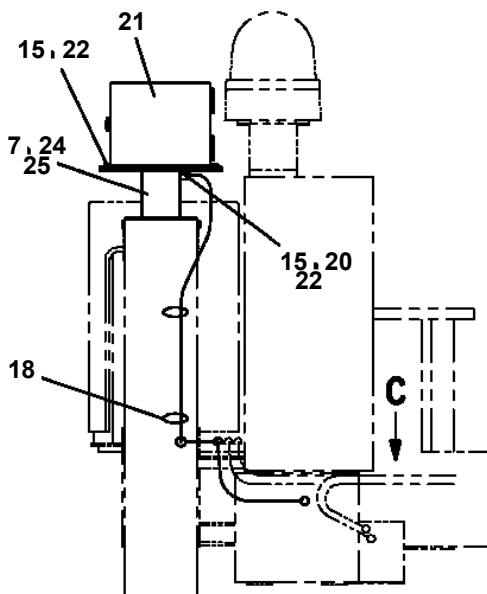
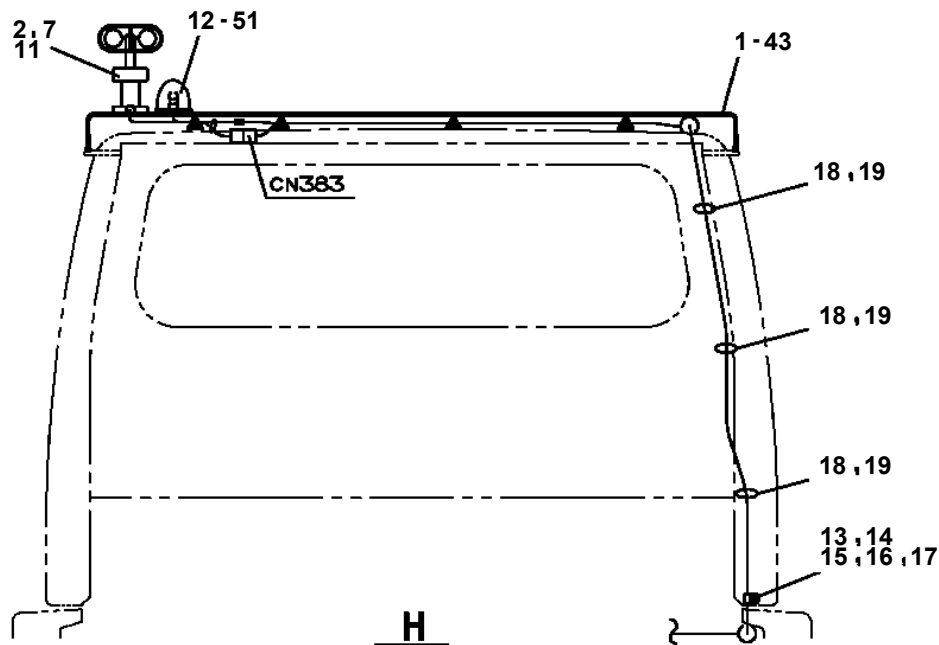


AT-111-1 42077140500 UPPER,ISUZU KR-NKR81EP5EXY
PL1031035-00 OPE.ASSY,ACCELERATOR

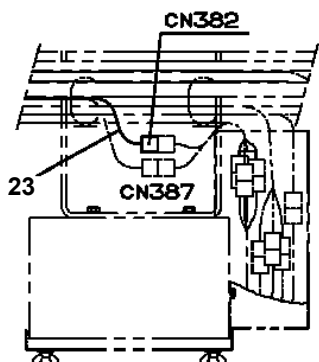
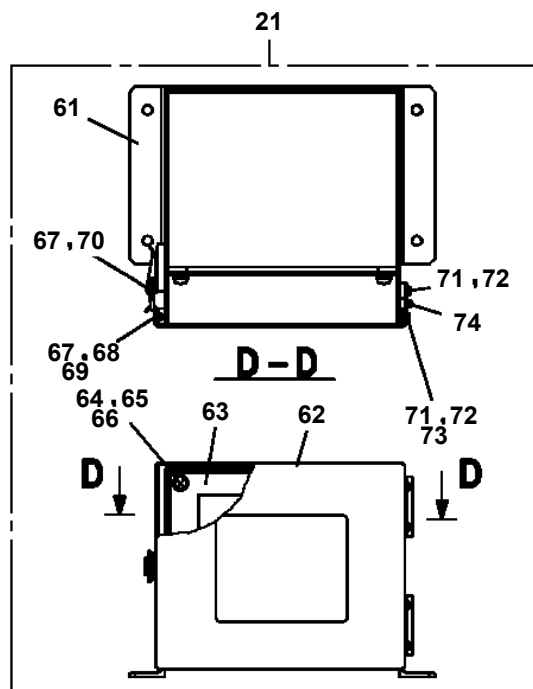
FRONT ←



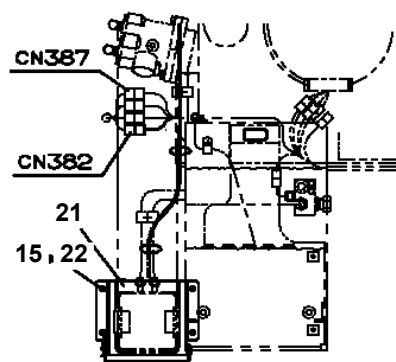
AT-111-1 42077140500 UPPER, ISUZU KR-NKR81EP5EXY
 PN1130008-01 ANEMOMETER



A



AT-111TE-1の場合

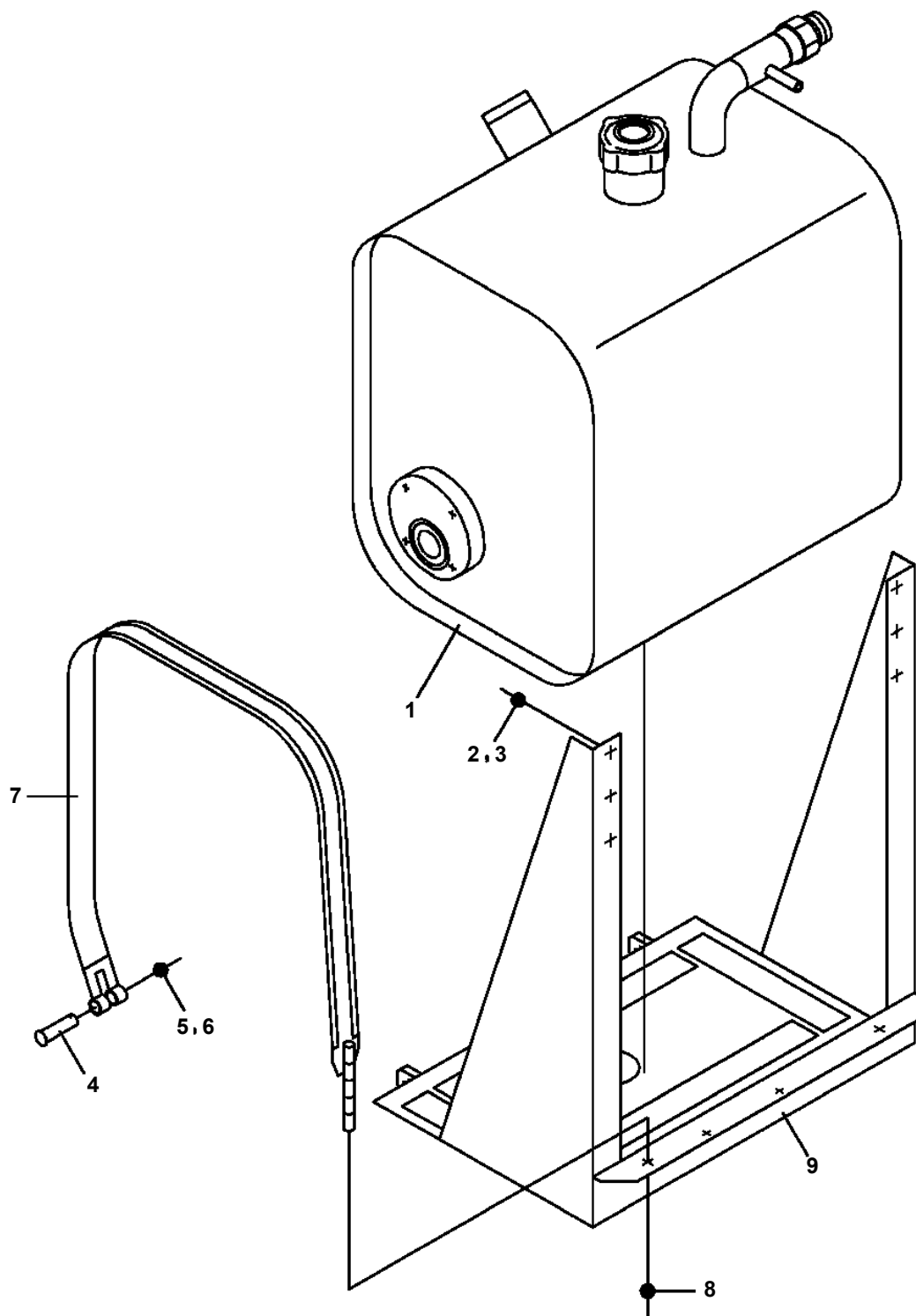


AT-111TE-2の場合

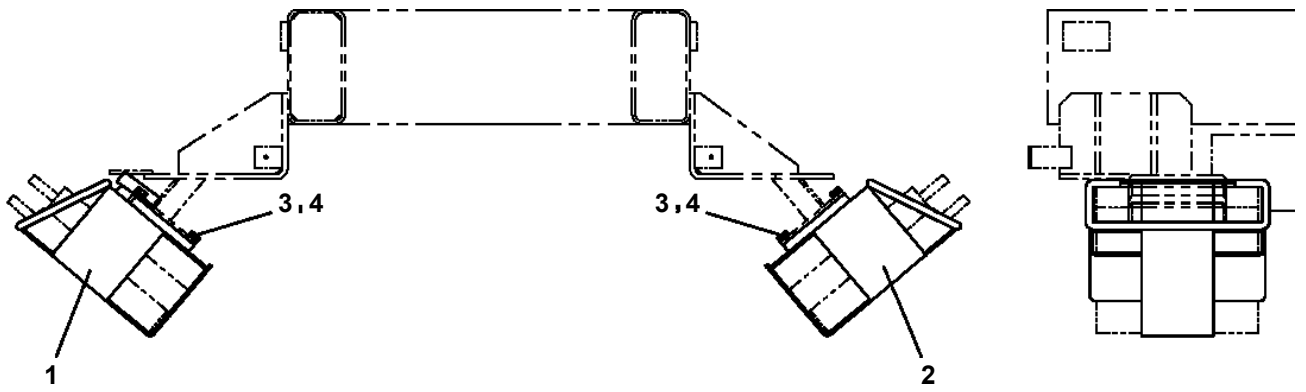
C

AT-111-1 42077140500 UPPER,ISUZU KR-NKR81EP5EXY
PX1100239-01 TANK SUPPORT

FRONT
↗



**AT-111-1 42077140500 UPPER,ISUZU KR-NKR81EP5EXY
PX1270102-01 WOOD BLOCK INSTALLATION**



AT-111-1 42077140500 UPPER,ISUZU KR-NKR81EP5EXY

Pos No.	Parts No	Parts Name	Qty	Unit	Technical Data	Serial No (Start)	Serial No (End)
2	42833447600	WINDOW	1				
3	42833857510	WINDOW	1				
4	42833447540	WINDOW	1				
5	42831877530	DRAWER ASSY (WITH RAIL)	2				
6	42831877630	PLATE (1 SET LONGX2,SHORTX3)	2				
7	42833857520	RUBBER (WITH TAPE)	1				
8	42833857530	CUSHION	1				
9	42831877800	SUPPORT	2				
10	42833857540	COVER	1				
11	42833857550	COVER	1				
12	42833857560	WEATHER STRIP	1				
13	42833857570	CUSHION	1				
14	82400000393	INSULATOR	7				
15	42833077560	PLATE	7				
16	82461015111	CATCH (WITH KEY)	3				
17	82461015112	CATCH (WITHOUT KEY)	1				
18	82464110008	HINGE	7				
19	42833157590	STRIKER	4				
20	42850227880	GROMMET	2				
21	42833077610	BUSH	6				
22	80192484016	SCREW,MACHINE	7		M4X16		
23	80192435012	SCREW,MACHINE	8		M5X12		
24	80175805010	SCREW,MACHINE	64		M5X10		
25	80175804010	SCREW,MACHINE	8		M4X10		
26	80192484012	SCREW,MACHINE (WITH WASHER)	4		M4X12		
27	90302040601	WASHER,SPRING	12		6		
	90180206010	BOLT,BUTTON	12		M6X10		
47	42831877660	HANDLE	2				
48	42831877760	CATCH	4				
49	42831877520	RAIL (SLIDE)	4				
50	80192484012	SCREW,MACHINE (WITH WASHER)	24		M4X12		
51	90101206016	BOLT	8		M6X16		
	90302040601	WASHER,SPRING	8		6		
	90201200600	NUT	8		M6		
	90303070601	WASHER,PLAIN	16		6		
52	99164410022	BOLT (M10X22)	8				
53	80192834006	SCREW,MACHINE	8		M4X6		
54	80192834010	SCREW,MACHINE	16		M4X10		
55	80174404008	SCREW,MACHINE	32		M4X8		
100	42833851000	BOX,TOOL	1				

CLICK HERE TO **DOWNLOAD** THE COMPLETE MANUAL

- Thank you very much for reading the preview of the manual.
- You can download the complete manual from: www.heydownloads.com by clicking the link below



- Please note: If there is no response to CLICKING the link, please download this PDF first and then click on it.

CLICK HERE TO **DOWNLOAD** THE COMPLETE MANUAL