

# **AT-110-4 42084400096 UPPER**

PD2000200-00 SWING UNIT

PG2000259-00 BOOM UNIT

PH1000550-00 SAFETY DEVICES (MOTION CONTROLLER)

PJ3000506-01 BUCKET SYSTEM

PK2001245-00 FRAME UNIT

PO1000171-00 INDICATION PLATES

PW1000118-00 ACCESSORIES & TOOLS

PY1001276-03 OPTIONS,1

PY2000164-08 OPTIONS,2 (UPPER)

ASSEMBLY

CLICK HERE TO **DOWNLOAD** THE COMPLETE MANUAL

- Thank you very much for reading the preview of the manual.
- You can download the complete manual from: [www.heydownloads.com](http://www.heydownloads.com) by clicking the link below



- Please note: If there is no response to CLICKING the link, please download this PDF first and then click on it.

CLICK HERE TO **DOWNLOAD** THE COMPLETE MANUAL

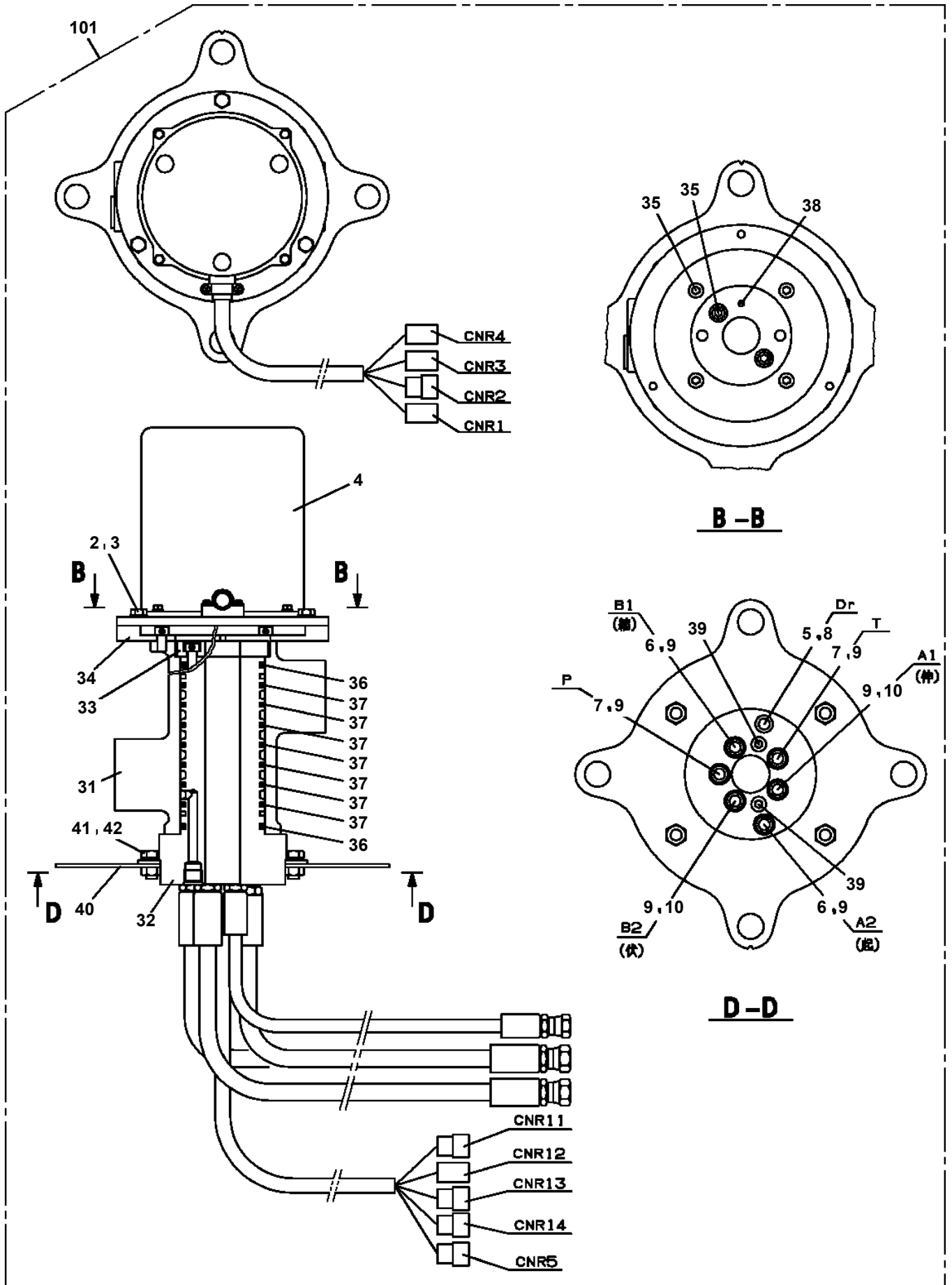
# AT-110-4 42084400096 UPPER

Pos No.	Parts No	Parts Name	Qty	Unit	Technical Data	Serial No (Start
1	(*****)	FRAME	1			
2	(*****)	OUTRIGGER (MOUNT)	1			
	(*****)	OUTRIGGER ASSY	1			219911
3	(*****)	OPE.ASSY,CONT.VALVE	1			
4	(*****)	PIPING,OUTRIGGER	1			
	(*****)	PIPING ASSY,FRAME	1			219911
5	(*****)	PIPING,OUTLET (LOWER)	1			
6	(*****)	ELEC.ASSY (FRAME)	1			
7	(*****)	ELEC.ASSY (LOWER CONTROLS)	1			
8	(*****)	ELEC.ASSY (MOTOR UNIT)	1			
	(*****)	ELEC.ASSY (MOTOR UNIT)	1			219577
9	(*****)	ELEC.ASSY (EMERGENCY SW FUNCTION LIMIT CIRCUIT)	1			
10	(*****)	TANK SUPPORT	1			
11	(*****)	BOOM REST	1			
12	(*****)	COVER (MOTOR UNIT)	1			
	(*****)	COVER (MOTOR UNIT)	1			219577
13	(*****)	POWER SUPPLY(MOTOR UNIT)	1			
	(*****)	POWER SUPPLY (MOTOR UNIT)	1			219577
14	(*****)	BATTERY	1			
15	(*****)	MOUNT,CHARGER	1			
16	(*****)	SWITCH ASSY (THERMO)	1			

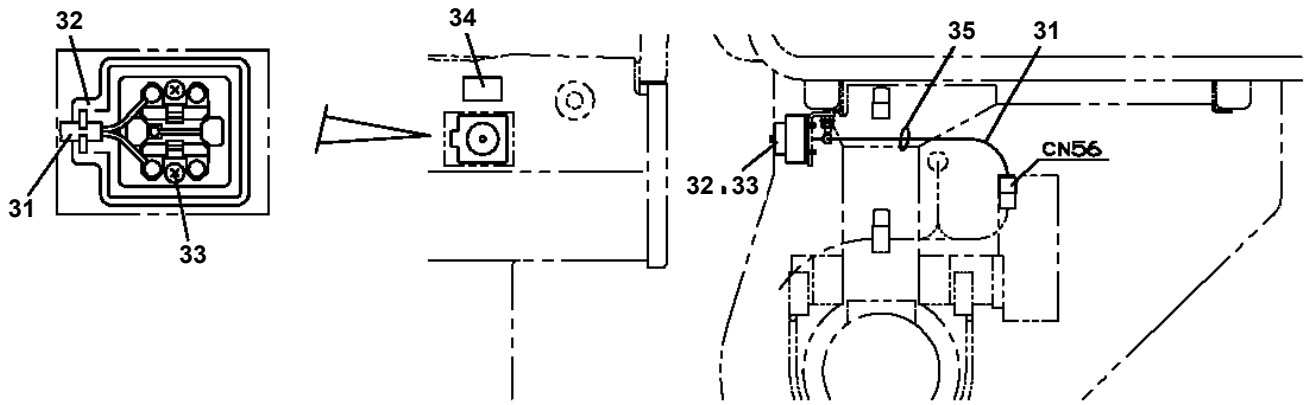
# AT-110-4 42084400096 UPPER

Pos No.	Parts No	Parts Name	Qty	Unit	Technical Data	Se
1	42473090000	CLAMP HEAD (IZUMI 7.5TON 3M ELECTRIC)	1			
	42473850000	CLAMP HEAD (IZUMI 8TO,3.5M)	1			
	42470590000	CLAMP HEAD (O.D.K 7.5TON 3M)	1			
	42470230000	CLAMP HEAD (IZUMI 12TON 3.5M)	1			
	42472640000	CLAMP HEAD (IZUMI 8TON 3.5M ELECTRIC)	1			
	42470180000	CLAMP HEAD (IZUMI 12TON 2.5M)	1			
	42470020000	CLAMP HEAD (IZUMI 8TON,2.5M)	1			
	42972380000	CLAMP HEAD ASSY (YONDENKO/SAFETY HOSE)	1			HK
2	42470365000	CLAMP HEAD (SANWA,12TON,TITANIUM)	1			
	42471070000	CLAMP HEAD (O.D.K 10TON ELECTRIC)	1			
	(*****)	CLAMP HEAD (SANWA,12TON)	1			
3	42470530000	CUTTER HEAD (IZUMI 6.4TON AIR)	1			
	42473190000	CUTTER HEAD (IZUMI 6.4TON 2.5M ELECTRICSANWA)	1			
	42470030000	CUTTER HEAD (IZUMI 6.4TON 2.5M ELECTRIC)	1			
	42972390000	CUTTER HEAD ASSY (YONDENKO/SAFETY HOSE)	1			HK
4	42470363000	HOSE,BOOSTER (WITH AIR BALLOON,5M)	1			
	(*****)	HOSE,BOOSTER (WITH AIR BALLOON)	1			
	42471800000	HOSE,BOOSTER (WITH AIR BALLOON,2M)	1			
	42470364000	HOSE,BOOSTER (WITH AIR BALLOON,8M)	1			
5	42472130000	HOSE,BOOSTER (FEMALE-FEMALE,5M)	1			
	42471080000	HOSE,BOOSTER (MAIL-FEMALE,3M)	1			
	42472480000	HOSE,BOOSTER (FEMALE-FEMALE,3M)	1			
	42471085000	HOSE,BOOSTER (MALE-FEMALE,5M)	1			
	42471084000	HOSE,BOOSTER (MALE-FEMALE,8M)	1			
6	(*****)	HOSE,BOOSTER (3M)	1			
7	42471561000	HOSE,BOOSTER (SMALL,WITH AIR BALLOON)	1			
	42506280000	HOSE,BOOSTER (LARGE,AIR BALLOON ONLY)	1			
11	42509160000	SWITCH ASSY (ELEC.BOOSTER, REMOTE:3M,NANABOSI,KASUGA)	1			
	42470984000	SWITCH BOX (ELECTRIC BOOSTER, 8M,NANABOSI,SINKOU DENKI)	1			
	42509170000	SWITCH ASSY (ELEC.BOOSTER, REMOTE:5M,NANABOSI,KASUGA)	1			
	42470983000	SWITCH BOX (ELECTRIC BOOSTER, 3M,NANABOSI,SINKOU DENKI)	1			
	42509150000	SWITCH ASSY (ELEC.BOOSTER, REMOTE:2M,NANABOSI,KASUGA)	1			
	42470980000	SWITCH BOX (FOR BOOSTER)	1			
	42470985000	SWITCH BOX (ELECTRIC BOOSTER, 5M,NANABOSI,SINKOU DENKI)	1			
12	(*****)	SWITCH INSTALLATION	1			
18	(*****)	PRUNER ASSY	1			
19	42471270000	DRIL,HYDRAULIC	1			
20	(*****)	WRENCH,IMPACT (HYDRAULIC)	1			
21	42460021000	BELT,SAFETY	1			
	42461162000	FALL ARREST SYSTEM (TB-LSA-550/FUJII-DENKO)	1			HK
22	42470050000	ROPE (SAFETY,1.5M,WITH HOOK)	1			
23	42472670000	ROPE (SAFETY,WHITE)	1			
24	42472650000	HANGER (FOR BUCKET)	1			
	42474540000	HANGER (FOR BUCKET,FRP)	1			
26	42474030000	STEP,BUCKET (GRAY,FOR BUCKET INNER)	1			
	42473340000	STEP,BUCKET	1			
27	42503180000	BOX,TOOL (FOR BUCKET,FRP)	1			
28	42472530000	BOX,TOOL (FOR BUCKET)	1			
29	42472990000	BOX,TOOL (FOR BUCKET)	1			
30	(*****)	WOOD BLOCK (OPTION)	4			
31	(*****)	PUMP,GREASE (400CC)	1			
32	42473931000	TOOLS	1			
33	(*****)	EARTH ASSY	1			
48	42508690000	ROPE ASSY (YELLOW)	1			
52	42461681000	WEDGE (YELLOW)	1			HK
53	42973990100	SUPPORT (7 DEGREES ANGLE METER MOUNTING)	1			
54	42974561000	BLOCK,WOOD	1			HK
55	42516080000	MAT	1			HK

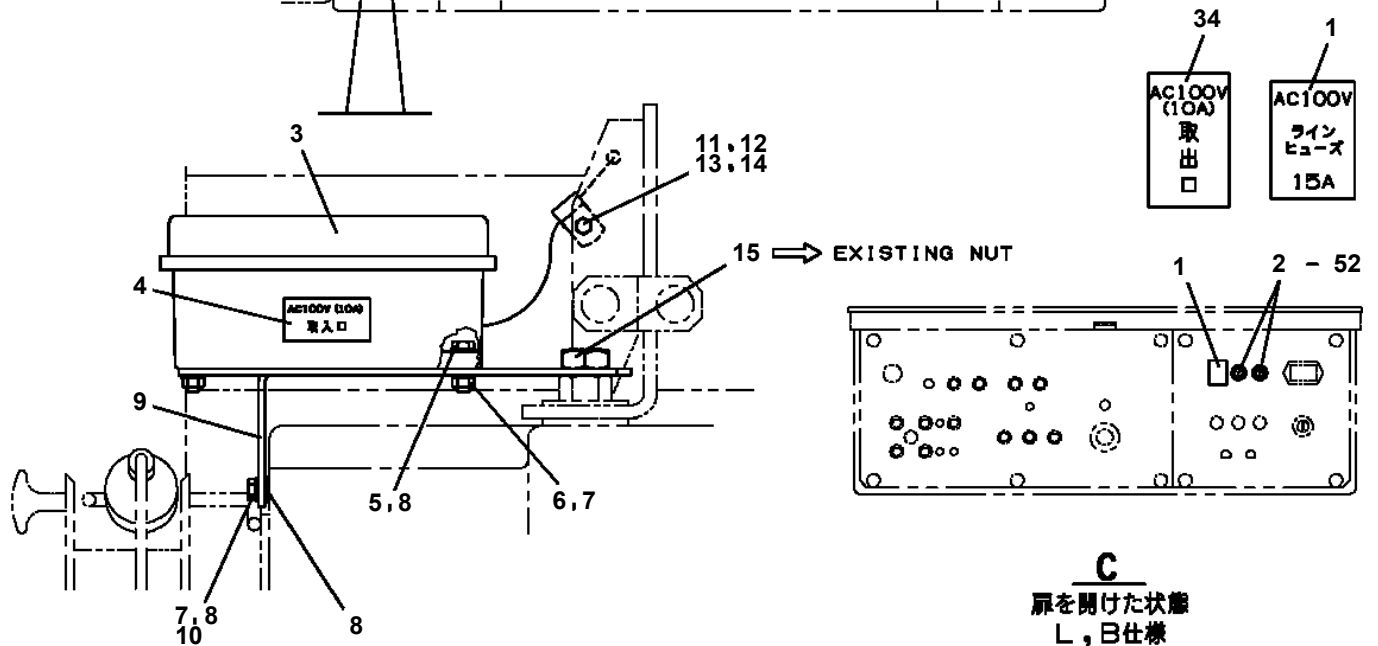
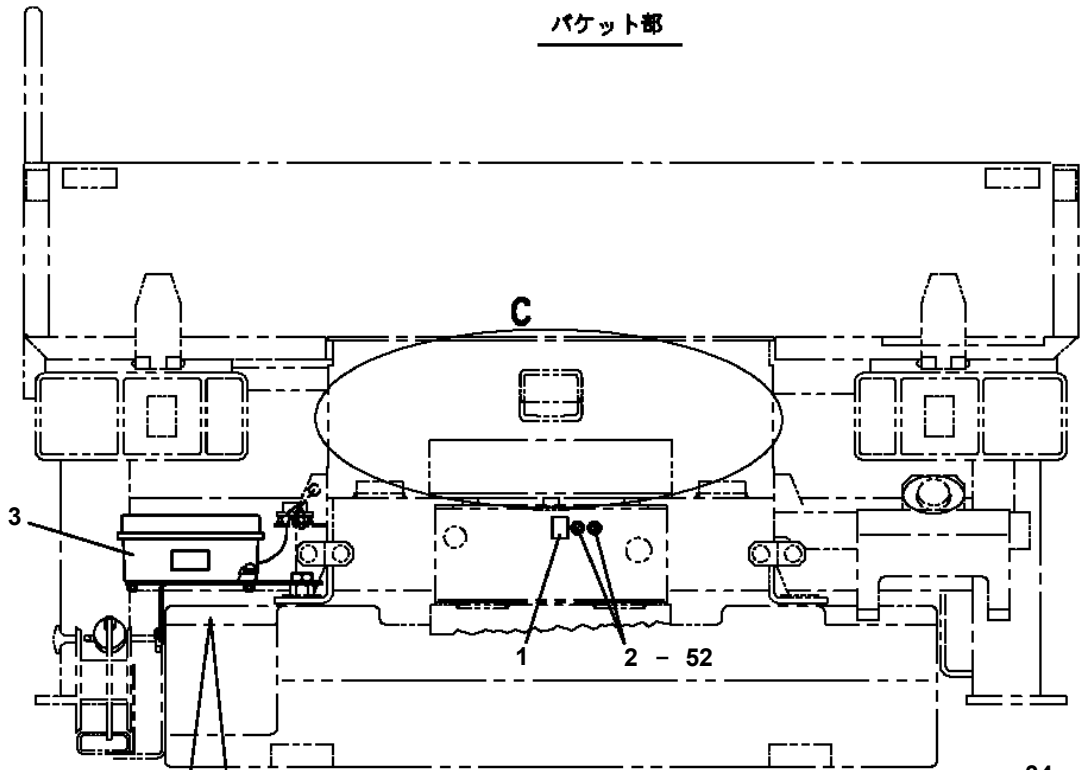
**AT-110-4 42084400096 UPPER  
PB1300485-01 JOINT, ROTARY**



**AT-110-4 42084400096 UPPER  
PB1380315-01 POWER SUPPLY (UPPER/100V 2POLES,2WD,PTO)**



バケット部



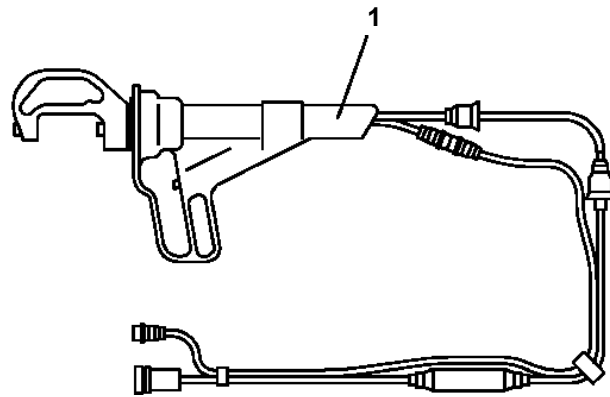
# AT-110-4 42084400096 UPPER

Pos No.	Parts No	Parts Name	Qty	Unit	Technical Data	Serial No (Start)	Serial No (End)	Remarks	Pa
1	81408000210	PIPE,STEEL	2	M	15X2.0T				
2	81408000210	PIPE,STEEL	2	M	15X2.0T				
3	81408000210	PIPE,STEEL	2	M	15X2.0T				
4	81408000210	PIPE,STEEL	2	M	15X2.0T				
5	80430620600	JOINT (WITH O-RING)	1		L,G3/8-G3/8				
6	80306010125	NUT	2		KKN15-000E				
7	80309010125	SLEEVE	2						
8	37000300750	SLEEVE	10		18-15				
9	37000711010	CLAMP ASSY	2		18X1				
10	80320010090	FITTING	6		KUD15-030N				
11	37002427680	HOSE	1		L=680				
12	37002404010	HOSE	1		L=600				
13	91002801400	O-RING	3		1B P14				
14	80471020503	JOINT	1		45,G3/8-G3/8				
15	37000920980	JOINT	1		PF3/8-PF3/8				
17	37000925680	JOINT	1		S,G3/8-G3/8				
18	37002438010	HOSE	1		L=380				
19	37002462560	HOSE	1		L=340				
41	91002801400	O-RING	1		1B P14				

# AT-110-4 42084400096 UPPER

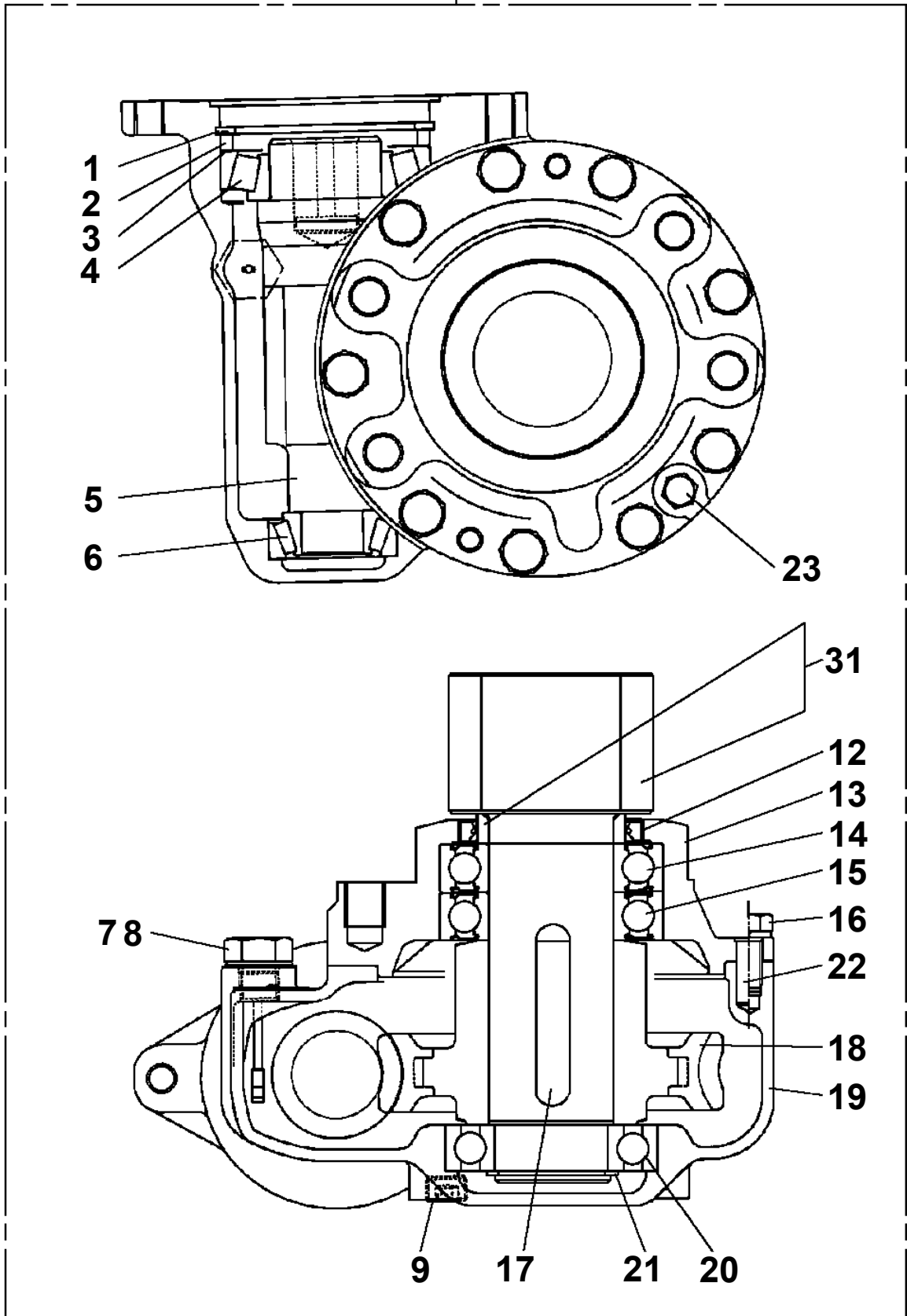
Pos No.	Parts No	Parts Name	Qty	Unit	Technical Data	Serial No (Start)	Serial No (End)	Remarks	Pages
1	36035840100	CYLINDER	1						
2	36035740200	ROD	1						
3	36035290300	PISTON	1						
4	91684007501	PACKING	2						
5	91431206201	RING,BACKUP	2						
6	91002903000	O-RING	1		1B G30				
7	91332207500	BEARING,PLAIN	2						
8	90202203000	NUT	1		M30				
9	80612110680	RING,RITAINING	1		AR68				
10	80801006030	BEARING,PLAIN	1						
11	36034979510	COVER,ROD	1						
12	91694006000	PACKING	1						
13	91410206002	RING,BACKUP	1						
14	91002908000	O-RING	1		1B G80				
15	91660006001	SEAL,DUST	1						
16	91002907500	O-RING	1		1B G75				
17	90303073001	WASHER,PLAIN	1		30				
18	90302043001	WASHER,SPRING	1		30				
41	36035299900	PACKING SET	1		60X75				
100	36035840000	CYLINDER,JACK	1						

**AT-110-4 42084400096 UPPER**  
**PC5250001-00 CLAMP HEAD ASSY (YONDENKO/SAFETY HOSE)**



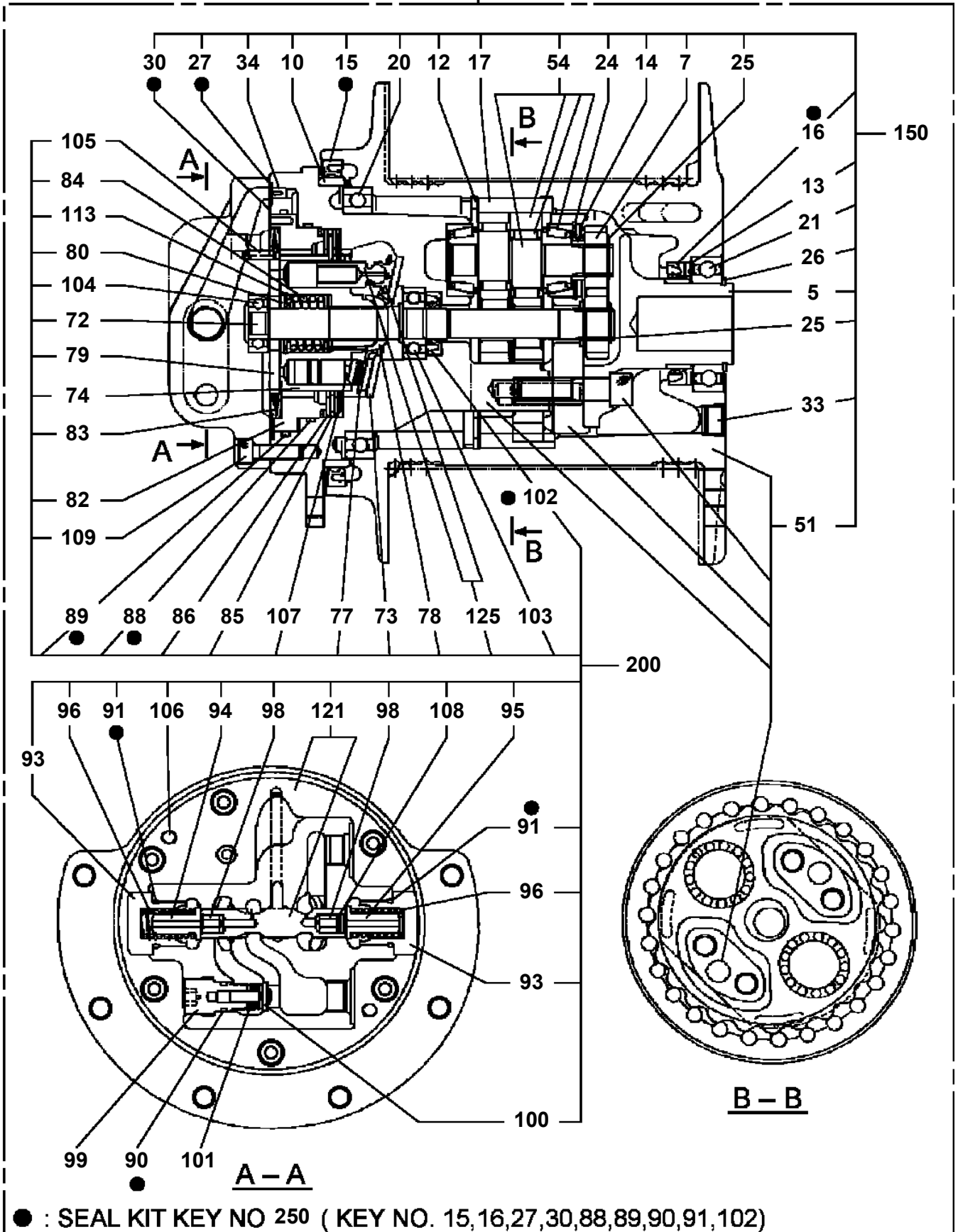
AT-110-4 42084400096 UPPER  
PD1010172-00 REDUCER, SWING SPEED

50



AT-110-4 42084400096 UPPER  
 PF1010168-01 WINCH

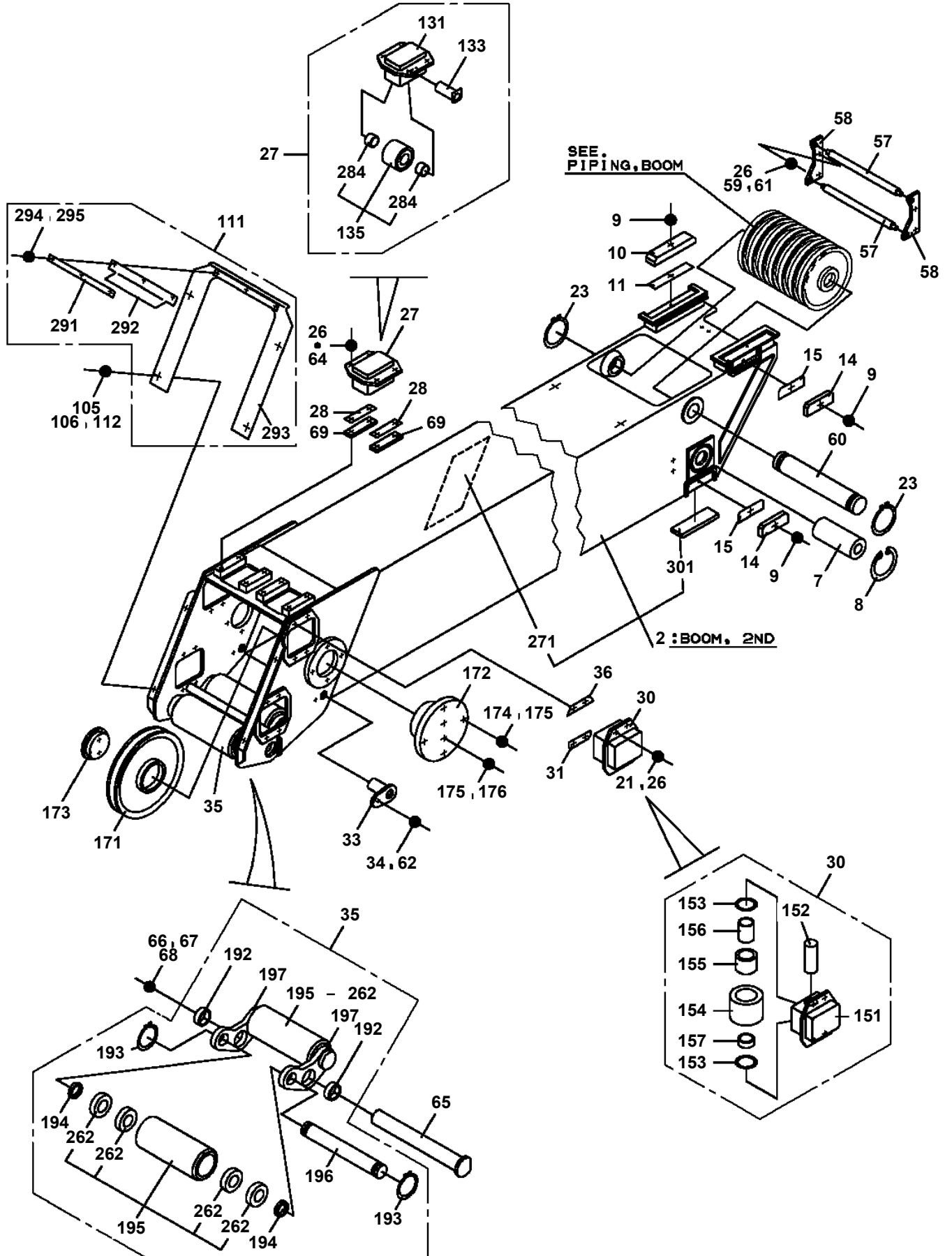
300



# AT-110-4 42084400096 UPPER

Pos No.	Parts No	Parts Name	Qty	Unit	Technical Data	Serial No (Start)	Serial No (End)	Remarks
1	42311281100	POST	1					
2	42311281500	FRAME	1					
3	42311281010	PIN	2					
4	82400000317	CATCH	2					
5	80175304008	SCREW,MACHINE	4		M4X8			
6	82112001022	SLEEVE	4					
7	42220249510	ROPE,WIRE	2	M				
8	42311282000	PIN ASSY	1					
9	90101208014	BOLT	4		M8X14			
10	90302040801	WASHER,SPRING	4		8			
11	82440102068	GAS SPRING	2					
12	37000118090	PIN	4					
13	90303070801	WASHER,PLAIN	4		8			
14	80136320016	PIN,SPLIT	4		2X16			
	80136320014	PIN,SPLIT	4		2X14	219697	219696	
15	37000176850	PIN	1					
16	80601110200	RING,RITAINING	2		S20			
17	90171110025	BOLT	2		M10X25			
18	90201781000	NUT	2		M10			
19	90171108020	BOLT	2		M8X20			
20	90201780800	NUT	4		M8			
21	42311281800	GUIDE	4					
22	42220234600	COVER	1					
23	90172108035	BOLT,HEXAGON SOCKET	2		M8X35			
51	42311281710	PIN	1					
52	42311281750	SUPPORT	1					
53	37001201220	SPRING	1					
54	90710004100	SCREW,SET	1		M4X10			
55	82400000350	KNOB	1					
56	80172303006	SCREW,MACHINE	1		M3X6			
57	37000508510	PLATE	1					
78	82458102000	NIPPLE,GREASE	2		B-PT1/8			

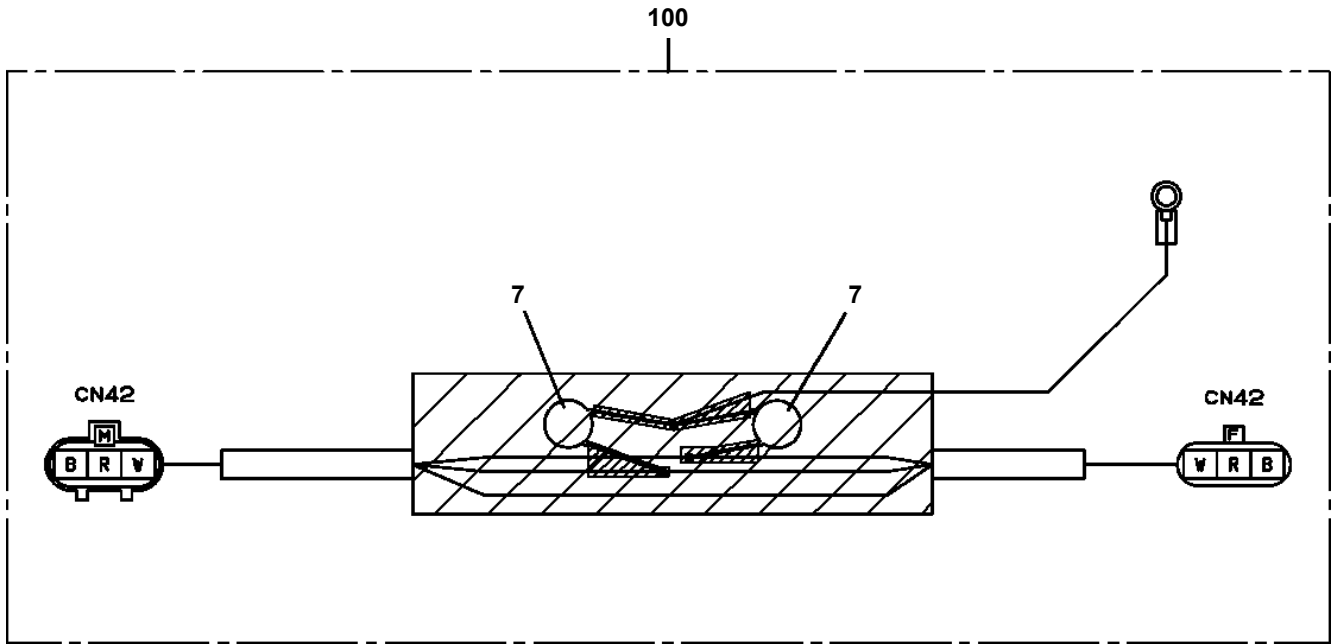
**AT-110-4 42084400096 UPPER  
PG1010756-06 BOOM**



# AT-110-4 4208440096 UPPER

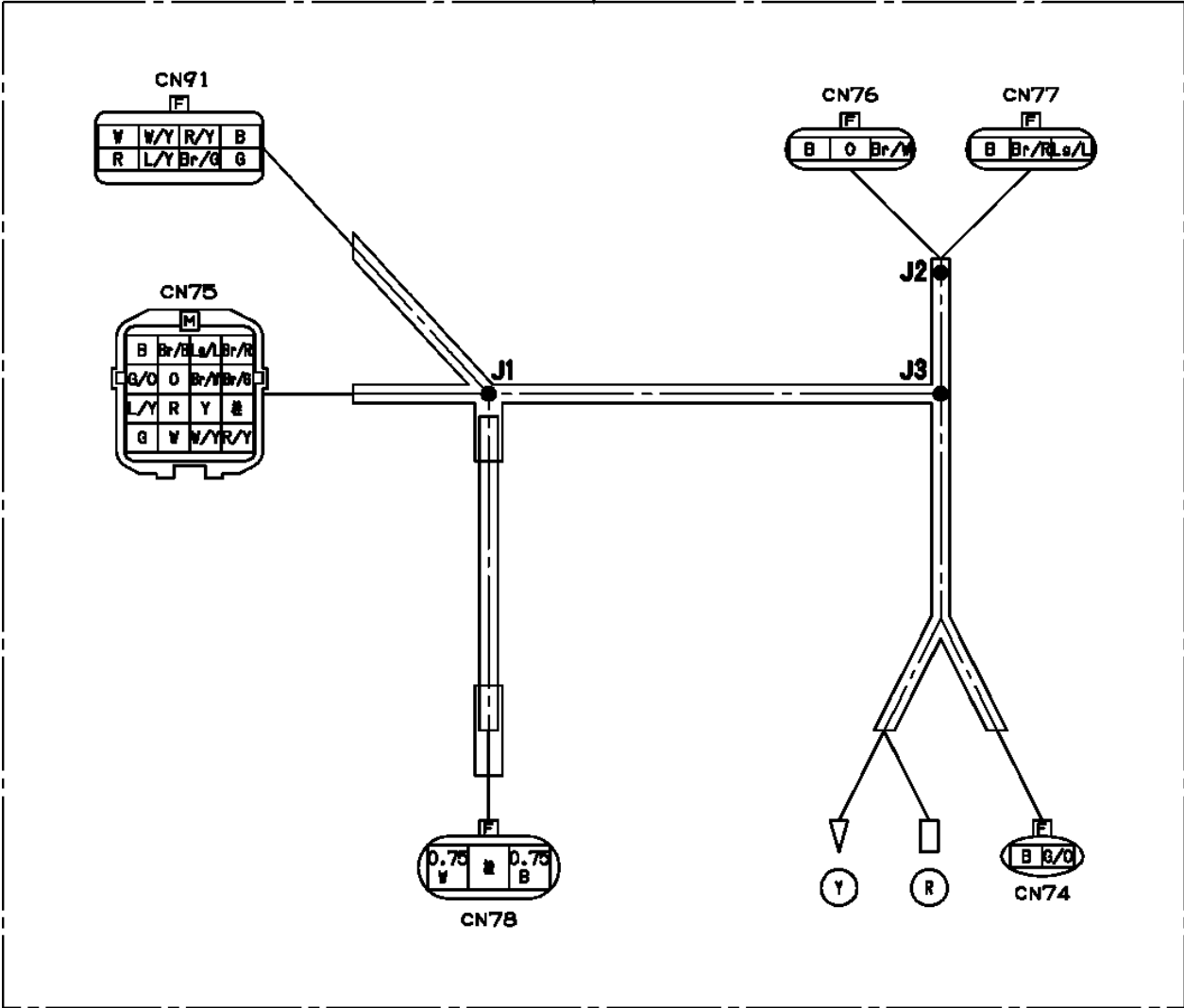
Pos No.	Parts No	Parts Name	Qty	Unit	Technical Data	Serial No (Start)	Serial No (End)	Remarks	Pages
1	81408000130	PIPE,STEEL	1	M	10X1.8T				
2	81408000130	PIPE,STEEL	1	M	10X1.8T				
3	81408000130	PIPE,STEEL	1	M	10X1.8T				
4	81408000130	PIPE,STEEL	1	M	10X1.8T				
5	37000711080	CLAMP ASSY	2		12-2				
6	80320010075	FITTING	1		KUD12-020N				
8	37000300740	SLEEVE	2		18-12				
9	37000300730	SLEEVE	2		18-10				
10	37000711490	CLAMP ASSY	1		18X6				
11	81408000160	PIPE,STEEL	1	M	12X1.4T				
12	81408000160	PIPE,STEEL	1	M	12X1.4T				
13	90101208045	BOLT	2		M8X45				
14	90101208060	BOLT	2		M8X60				
15	42345733000	SHEAVE ASSY	1						
16	80430620400	JOINT	1						
17	80400160127	JOINT	4						
18	91002801100	O-RING	10		1B P11				
19	37000917480	JOINT	2		S G1/4-G3/8				
20	37002476730	HOSE	1		L=350				
21	37002476740	HOSE	1		L=400				
22	37002477420	HOSE	1		L=6800				
23	37002475260	HOSE	2		L=6800				
24	37002476800	HOSE	2		L=6340				
25	42345730500	SUPPORT	1						
26	37000711010	CLAMP ASSY	1		18X1				
27	90302040801	WASHER,SPRING	14		8				
28	42345730600	SUPPORT	1						
29	90180208012	BOLT,BUTTON	2		M8X12				
30	42345731000	ROLLER ASSY	1						
31	90101208020	BOLT	8		M8X20				
32	42345732000	SHEAVE ASSY	1						
33	90203201200	NUT	4		M12				
34	90303071201	WASHER,PLAIN	4		12				
35	37000312510	SPACER	2		L=27.5				
36	90102212120	BOLT	2		M12X120				
37	90201201200	NUT	2		M12				
38	90302041201	WASHER,SPRING	2		12				
39	80320020090	FITTING	2		KUF15-030N				
40	80320020050	FITTING	2		KUF10-020N				
41	37002488980	HOSE	1		L=3570				
42	37002412190	HOSE	1		L=400				
43	37002448880	HOSE	1		L=530				
44	37000713180	CLAMP ASSY	1		15X2				
45	90303071601	WASHER,PLAIN	4		16				
46	42345730700	JOINT	1						
47	80320010050	FITTING	2		KUD10-020N				
48	80481102030	JOINT	1		L G1/4-G3/8				
49	80320010080	FITTING	1		KUD12-030N				
50	37000300720	SLEEVE	3		12-10				
51	80309010105	SLEEVE	2		KK012-000E				
52	80306010105	NUT	2		KKN12-000E				
53	80316070040	PLUG	2		PF1/4				
59	37000918980	JOINT	1						
60	37001600810	NUT	1		PF1/4				
61	90303071401	WASHER,PLAIN	1		14				
62	91810132530	FASTENER	5						
63	37000300750	SLEEVE	1		18-15				
64	37000924410	JOINT	1		PF1/4-PF1/4				
65	36033124000	ORIFICE	1						
81	42345591100	JOINT	1						
82	80400160127	JOINT	1						
83	80430620400	JOINT	1						
84	80302090101	FITTING	3		KCO10-020N				

AT-110-4 42084400096 UPPER  
PH5030996-00 HARNESS

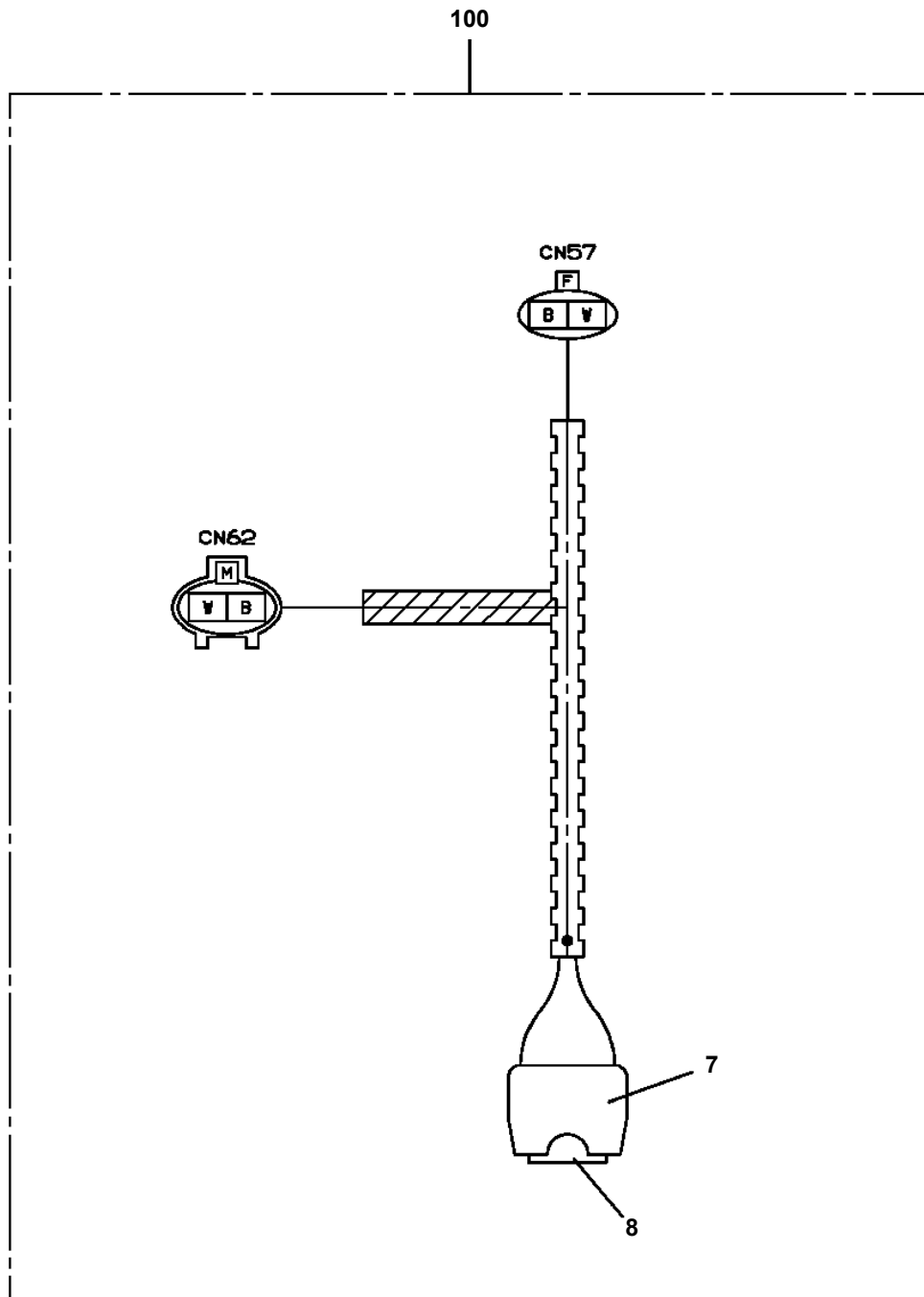


AT-110-4 42084400096 UPPER  
PH5031268-00 HARNESS

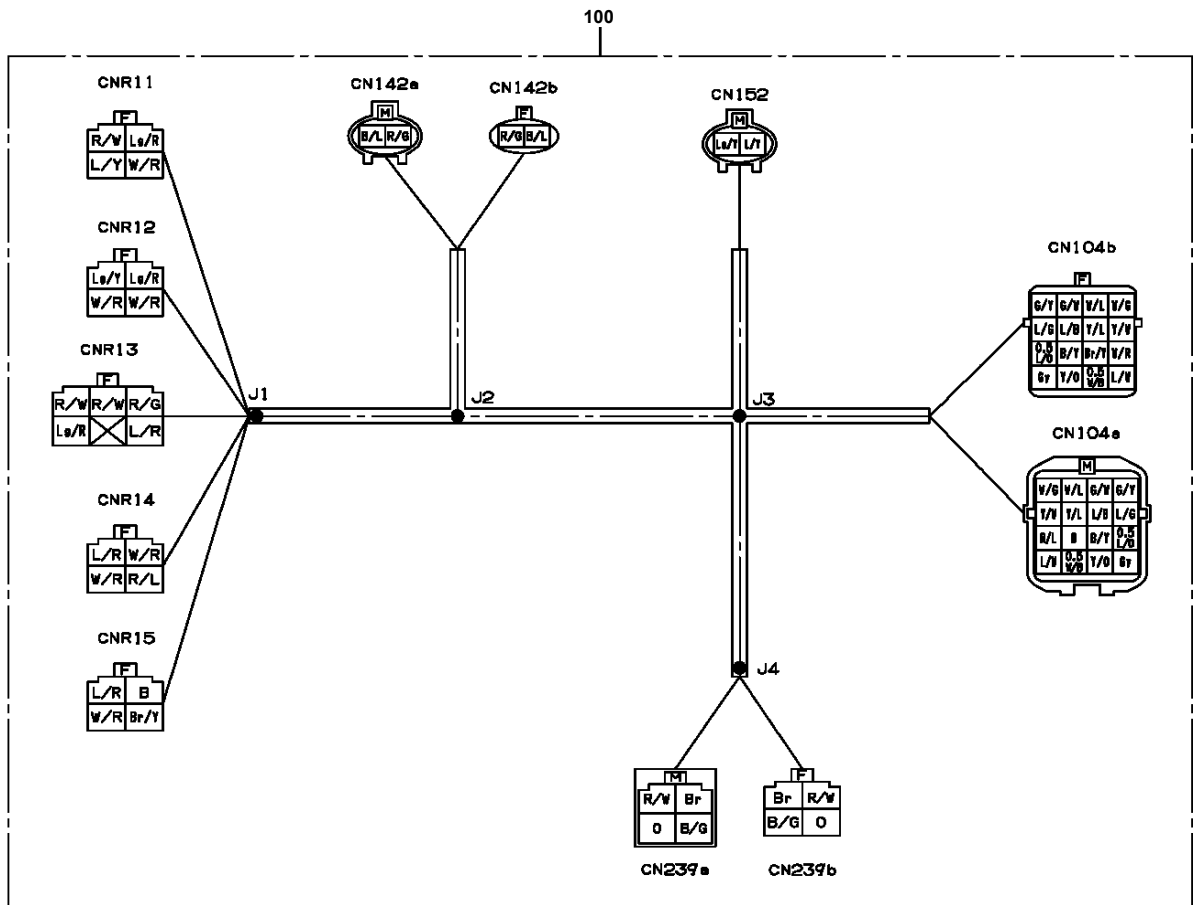
100



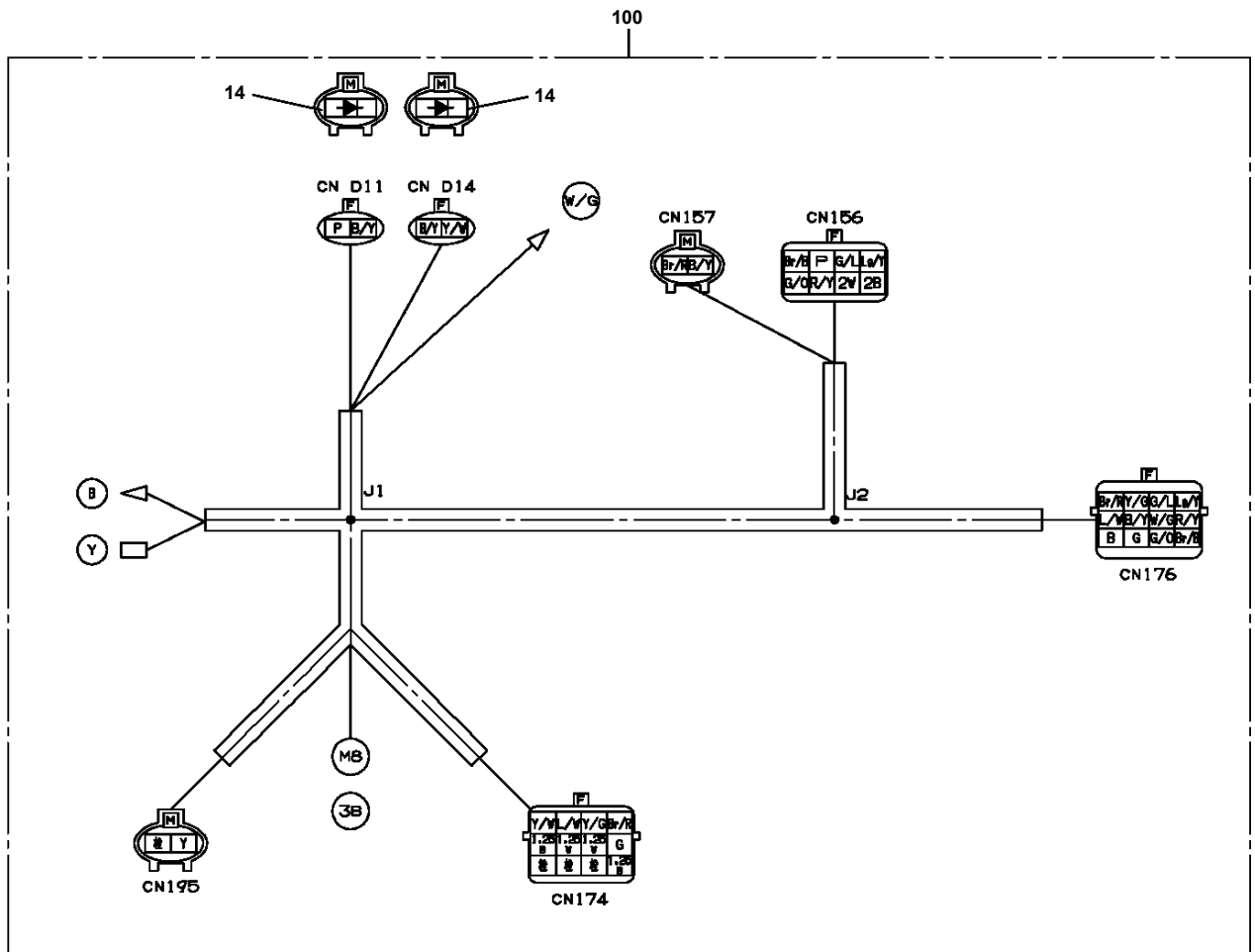
AT-110-4 42084400096 UPPER  
PH5031648-00 HARNESS



# AT-110-4 42084400096 UPPER PH5032631-00 HARNESS

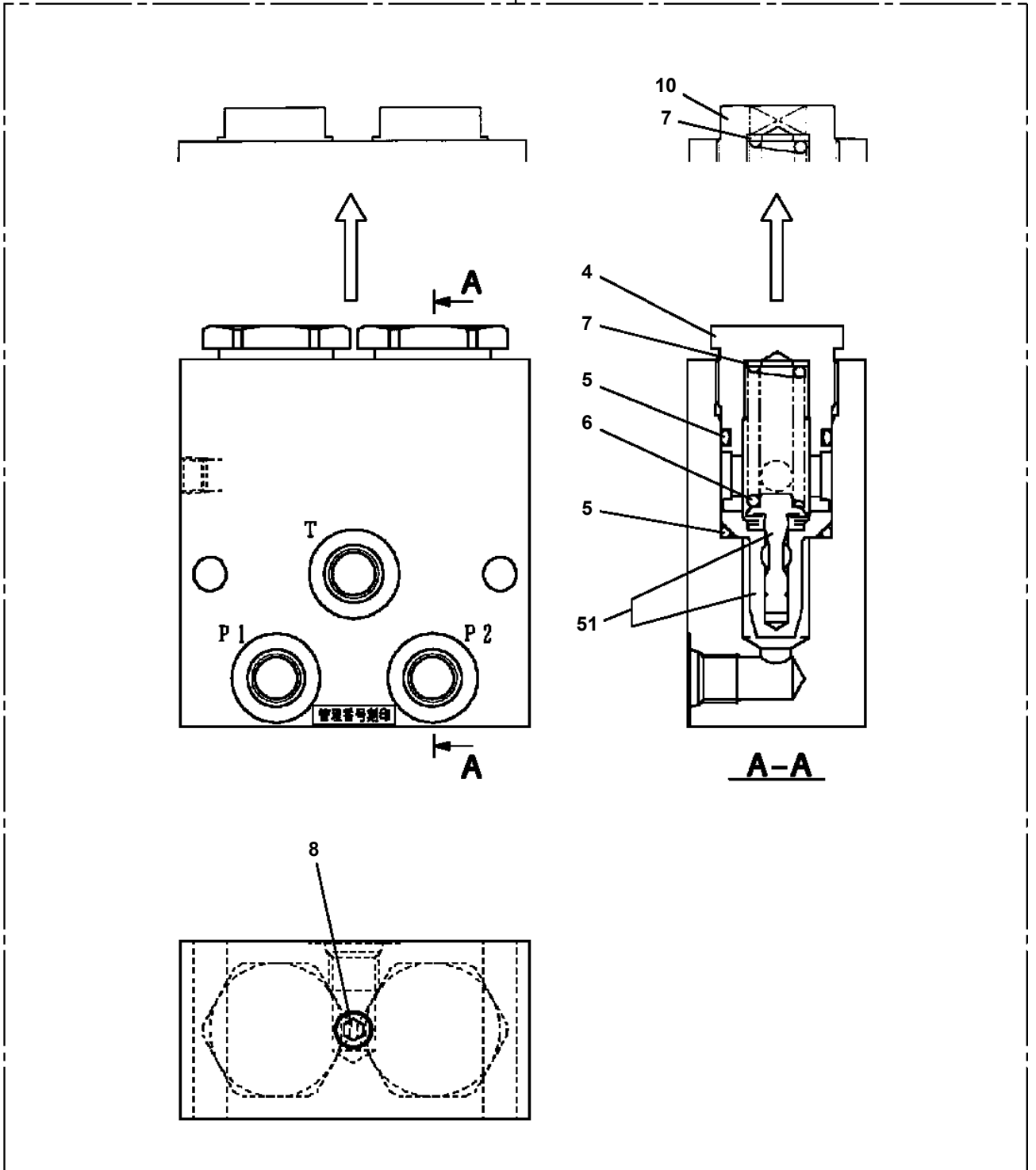


**AT-110-4 42084400096 UPPER  
PH5032640-00 HARNESS**



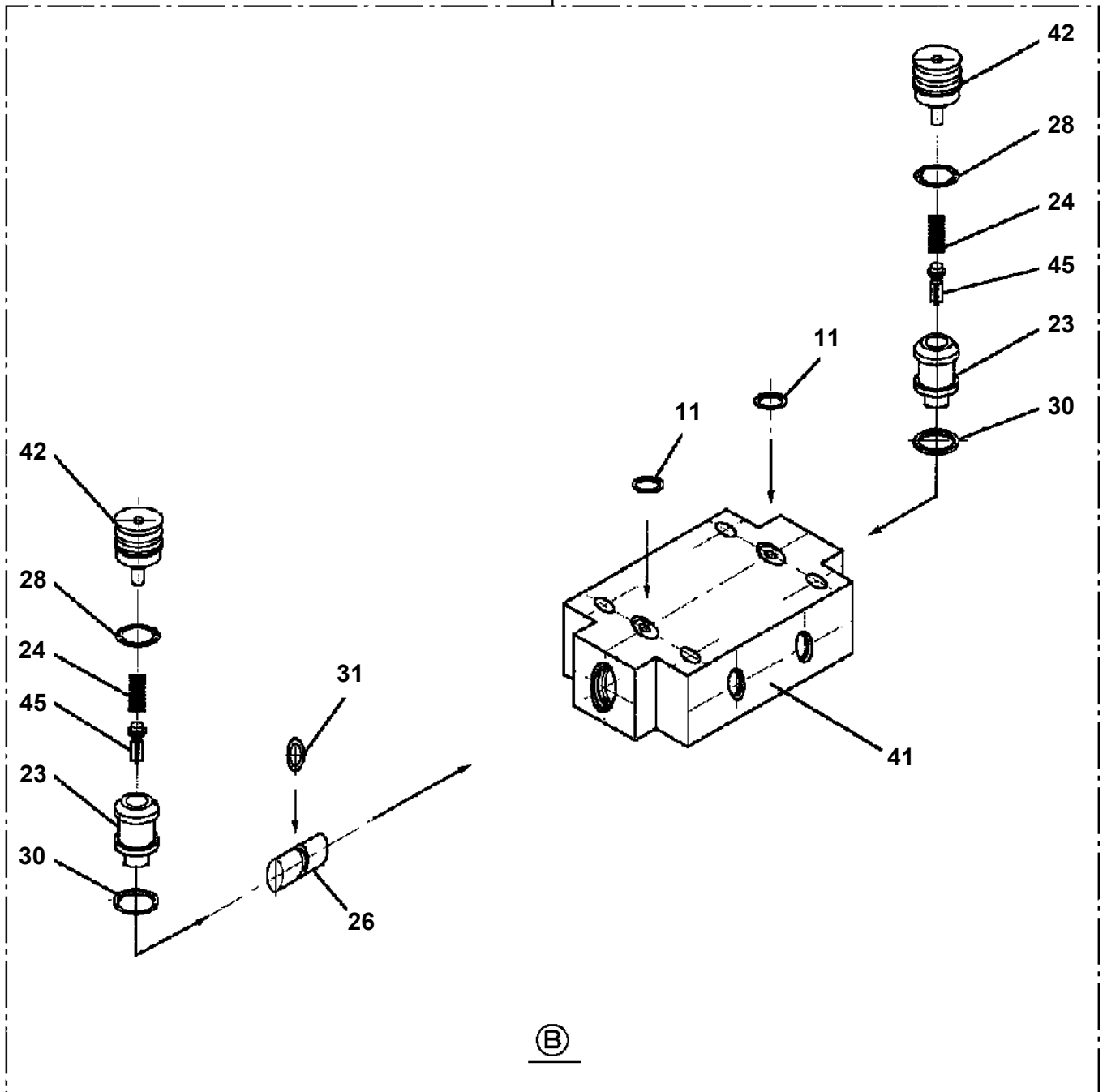
AT-110-4 42084400096 UPPER  
PI1100132-01 VALVE,RELIEF

100



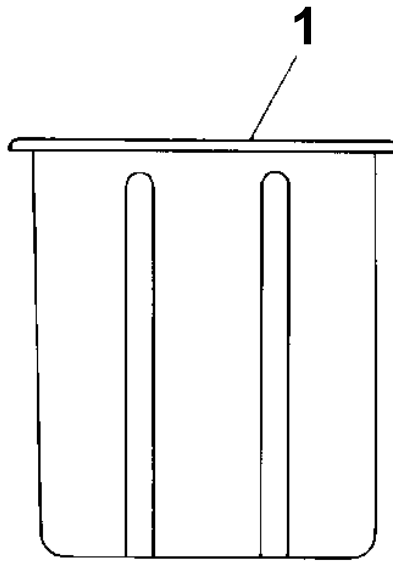
AT-110-4 42084400096 UPPER  
PI1140133-01 VALVE,CHECK

100

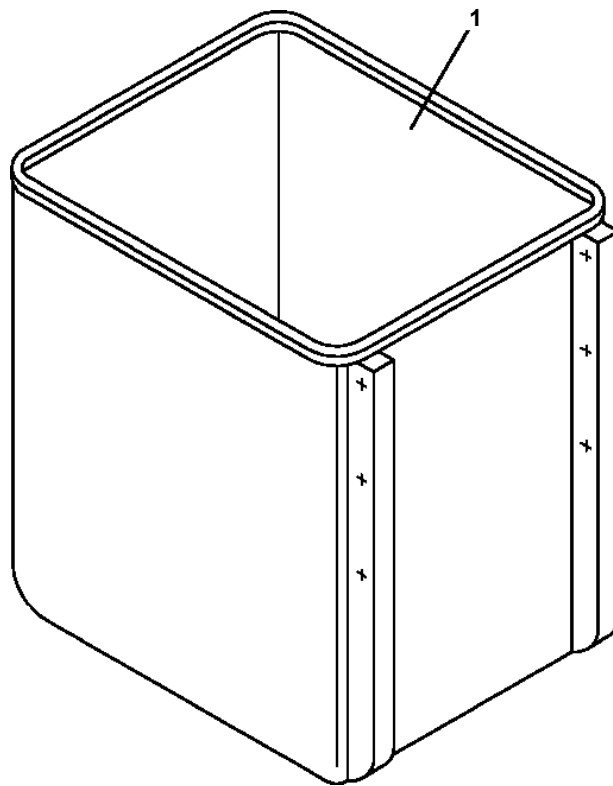


**AT-110-4 42084400096 UPPER  
PJ3010047-00 BUCKET (INNER CASE,OPTION)**

---

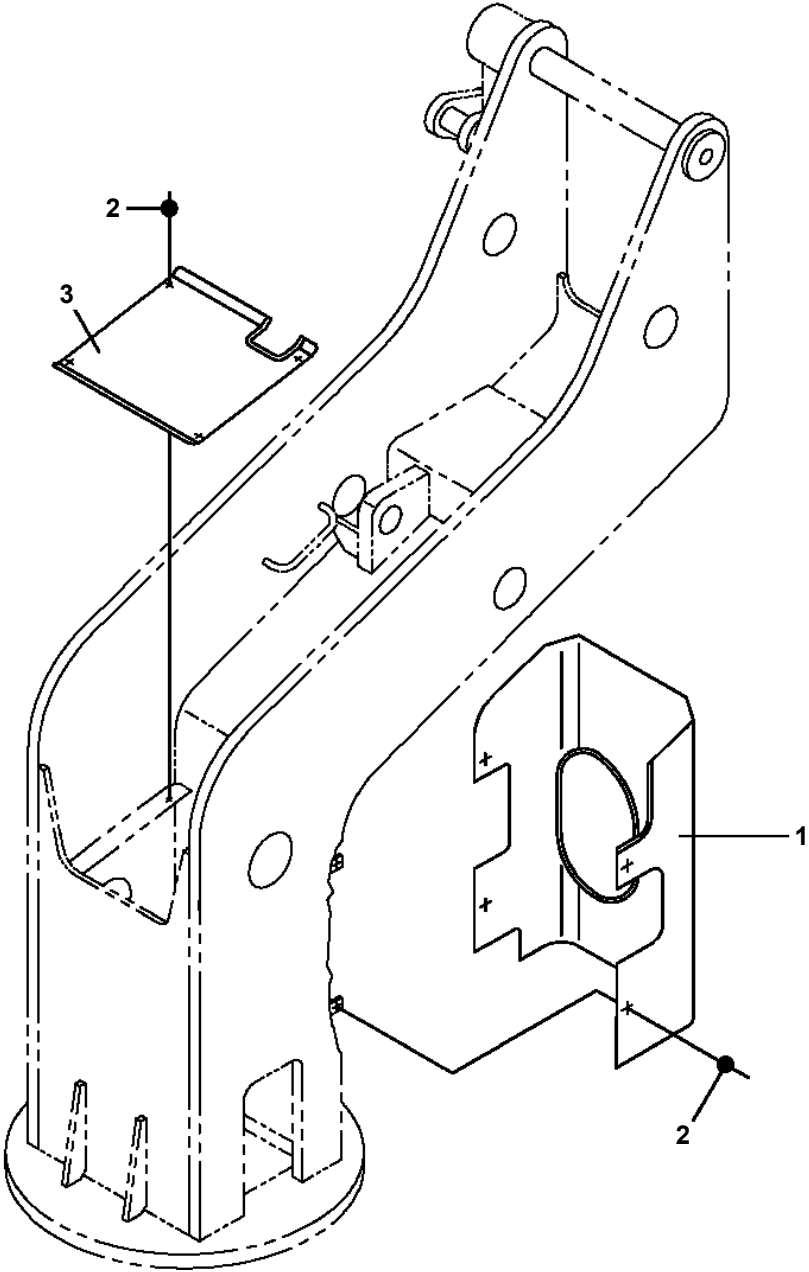


**AT-110-4 42084400096 UPPER  
PJ3010217-00 BUCKET (SI,WHITE/WITH INNER)**

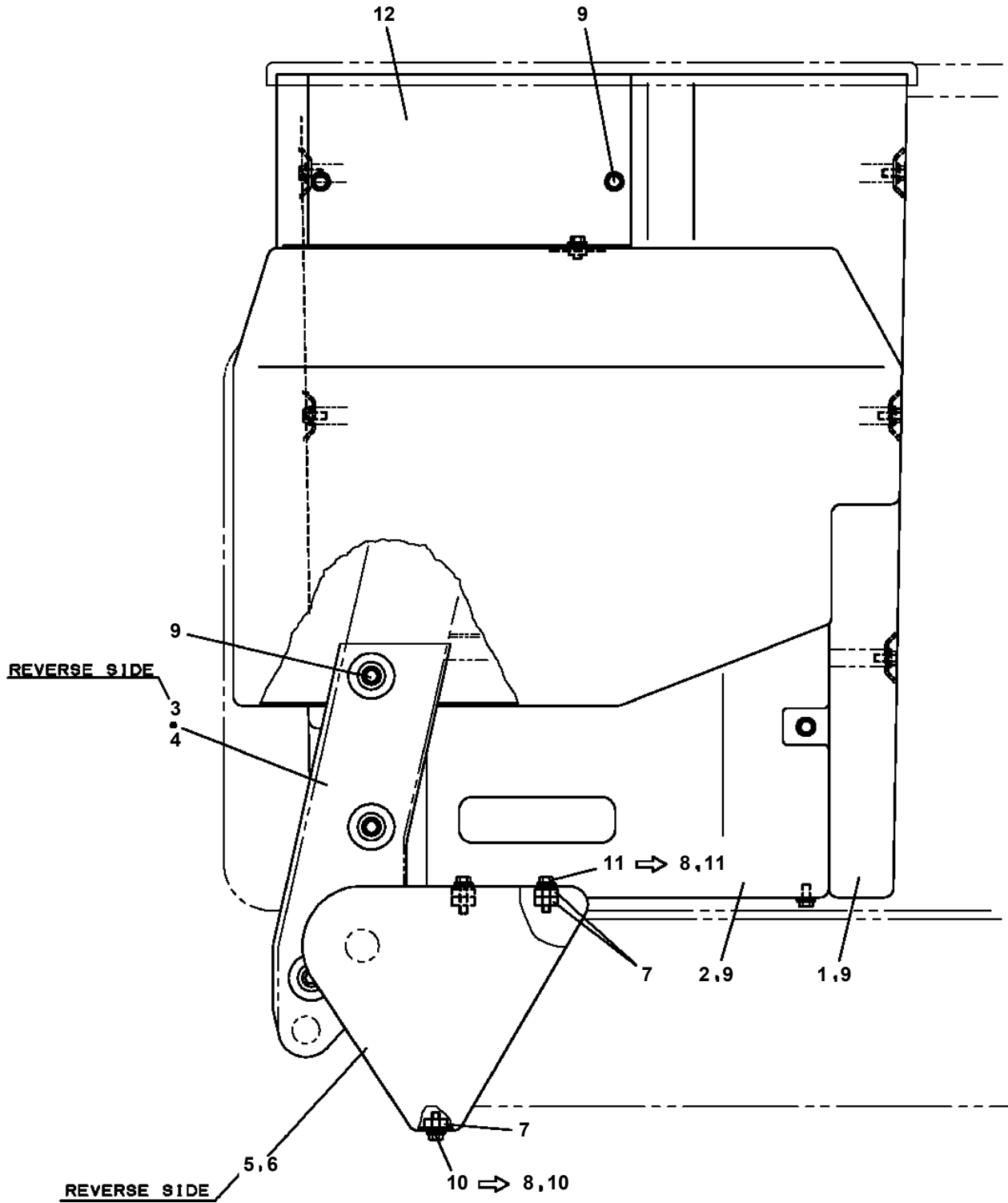


**AT-110-4 42084400096 UPPER  
PK1200457-00 COVER, SWING FRAME**

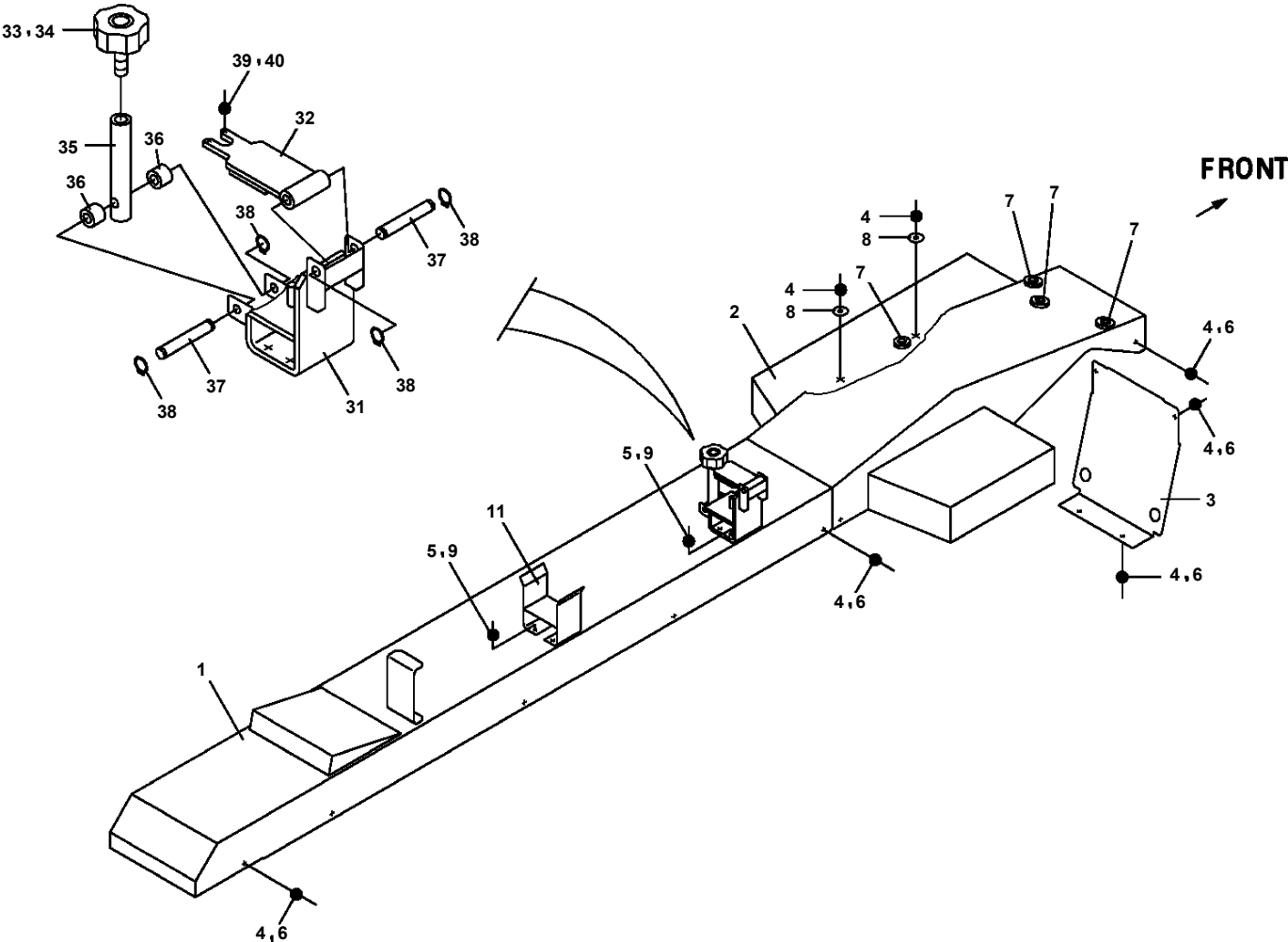
**FRONT**



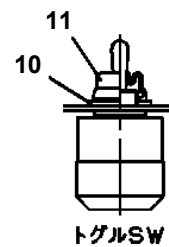
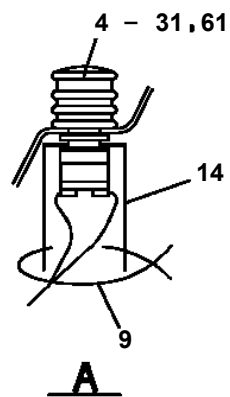
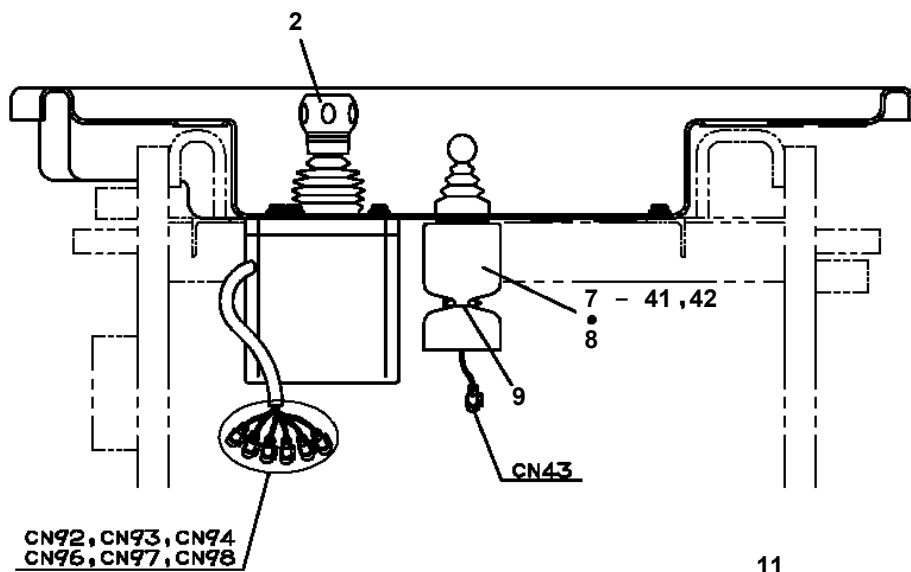
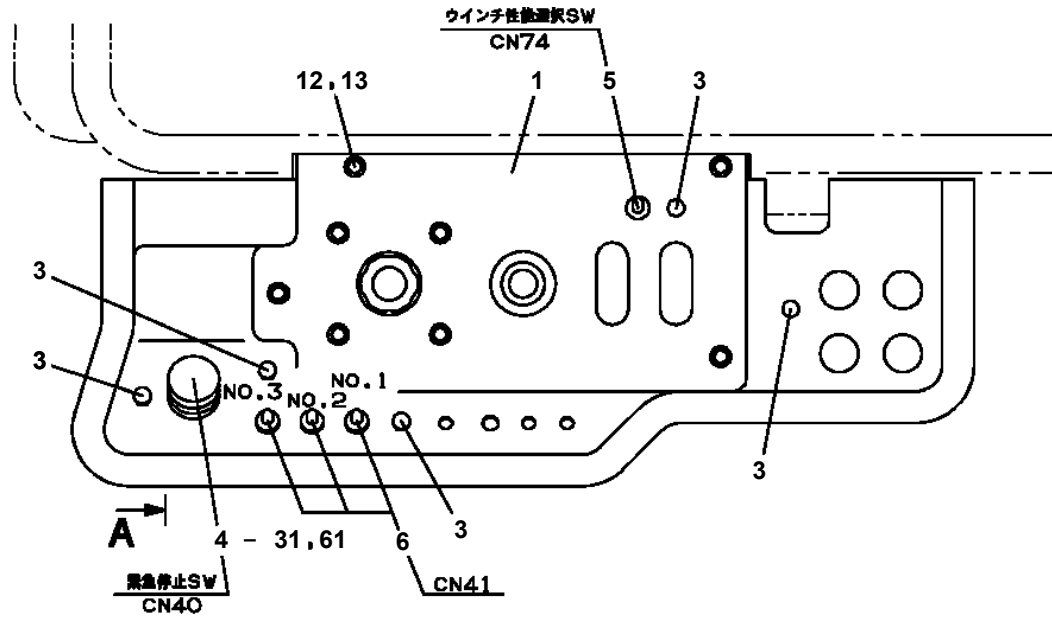
**AT-110-4 42084400096 UPPER  
PK1330154-02 COVER (FOR BUCKET,SI /WHITE)**



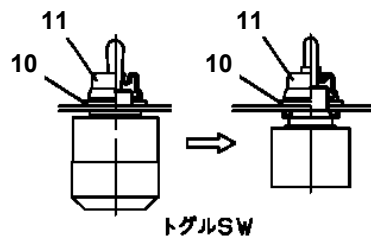
**AT-110-4 42084400096 UPPER  
PK1330425-00 COVER (BOOM)**



AT-110-4 42084400096 UPPER  
 PL1050047-01 OPE.ASSY,BUCKET



- 5 : ウインチ性能選択SW
- 6 : アクセル/非常ポンプ (NO.2)



- 6 : 干渉規制解除/自動格納 (NO.1)
- エンジン (NO.3)

# AT-110-4 42084400096 UPPER

Pos No.	Parts No	Parts Name	Qty	Unit	Technical Data	Serial No (Start)	Serial No (End)	Remarks	Pages
1	42507443100	ORIFICE	4						
2	37000924410	JOINT	4		PF1/4-PF1/4	HK0340			

# AT-110-4 42084400096 UPPER

Pos No.	Parts No	Parts Name	Qty	Unit	Technical Data	Serial No (Start)	Serial No
1	42354541400	SWITCH ASSY (WITH HARNESS,3 SWITCH)	1				
2	42353950100	SWITCH ASSY (WITH HARNESS)	1				
3	42355641100	SWITCH ASSY	1				
4	42809631200	LAMP ASSY (RED,WITH HARNESS)	1				
5	42900001200	COVER	1			219495	
6	91810130240	FASTENER	1			219495	
37	42355641010	COVER	1				
51	42355641210	BUTTON	1				

CLICK HERE TO **DOWNLOAD** THE COMPLETE MANUAL

- Thank you very much for reading the preview of the manual.
- You can download the complete manual from: [www.heydownloads.com](http://www.heydownloads.com) by clicking the link below



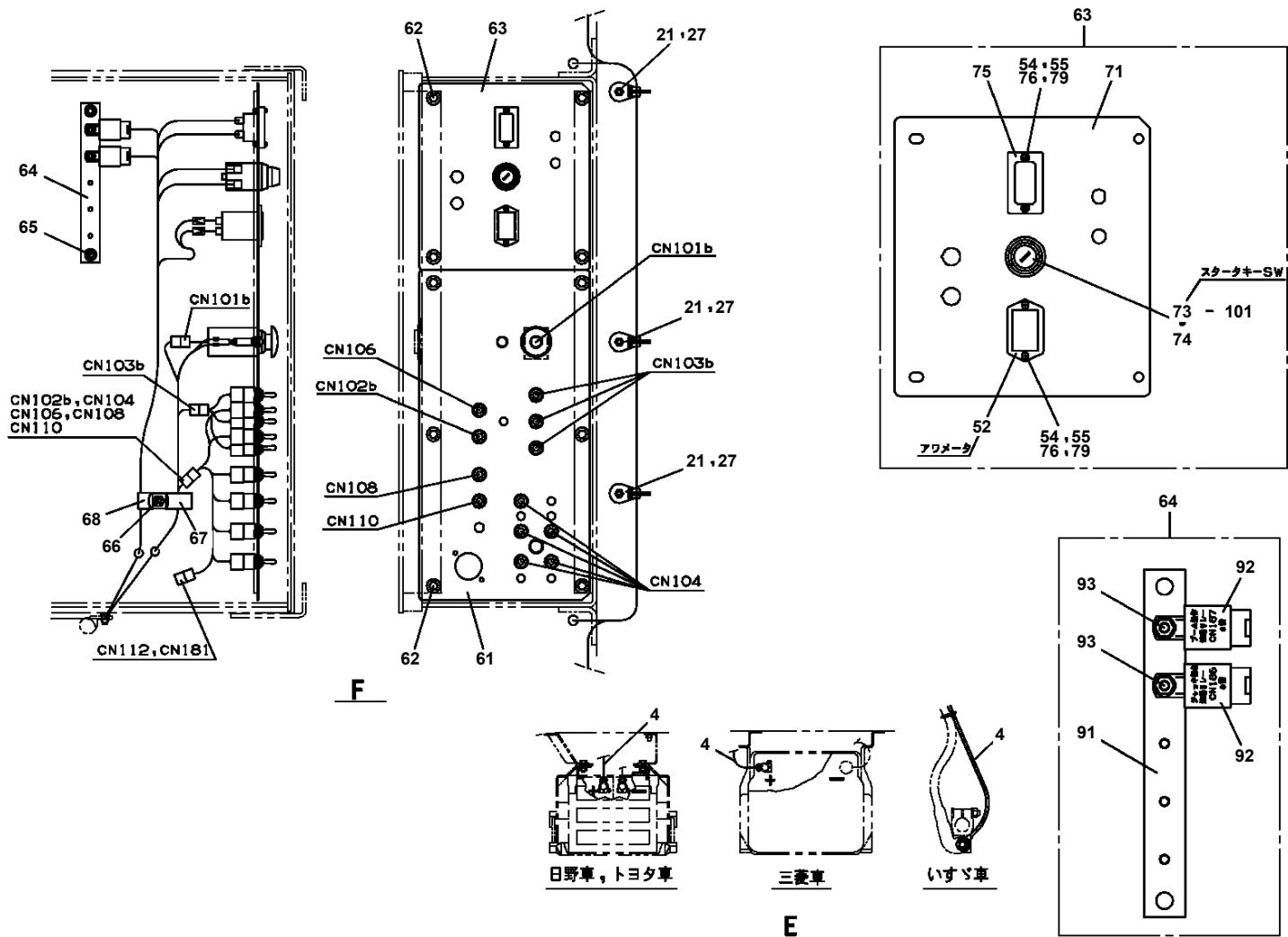
- Please note: If there is no response to CLICKING the link, please download this PDF first and then click on it.

CLICK HERE TO **DOWNLOAD** THE COMPLETE MANUAL

# AT-110-4 42084400096 UPPER

Pos No.	Parts No	Parts Name	Qty	Unit	Technical Data	Serial No (Start)	Serial No (End)
1	42356771000	TRANSMITTER,SIGNAL	1				
3	42356770100	HARNESS	1				HK0724
	42356770101	HARNESS	1			HK0725	
4	80192486014	SCREW,MACHINE (WITH WASHER)	4		M6X14		HK0724
	80192486014	SCREW,MACHINE (WITH WASHER)	2		M6X14	HK0725	
5	42353170400	HARNESS	1				
6	42353110400	BOX	1				
7	42353110500	COVER	1				
8	42351790020	PLUG (3 POLES,FEMALE)	1				
9	42350250150	PLUG (6 POLES,MALE)	1				
10	91810132530	FASTENER	20				
11	82100002596	RELAY	1				
12	82161161125	RELAY	2				HK0724
	82161324080	RELAY	2			HK0725	
13	42350250070	PLUG (2 POLES,MALE)	3				
14	42350250080	PLUG (3 POLES,MALE)	2				
15	42356770200	HARNESS	1				HK0353
	42356770201	HARNESS	1			HK0354	
16	90101206012	BOLT	7		M6X12		
17	90302040601	WASHER,SPRING	10		6		
18	90201200600	NUT	3		M6		
19	90302040801	WASHER,SPRING	4		8		
20	90201200800	NUT	4		M8		
21	82100002010	CLAMP	1		WR15		
22	90303070801	WASHER,PLAIN	1		8		
23	82100002004	CLAMP	2		WR8		
24	37000714040	CLAMP ASSY	1		18X2		
25	37000300750	SLEEVE	2		18-15		
26	82100002016	CLAMP	2		WR25		
27	82100002018	CLAMP	1		WR35		
28	42353110600	HARNESS	1				
29	42356770300	HARNESS	1				
30	42353170300	CONNECTOR	1				
31	42350250090	PLUG (4 POLES,MALE)	1				
32	80172305014	SCREW,MACHINE	2		M5X14	HK0725	
33	90201200500	NUT	2		M5	HK0725	
34	90302040501	WASHER,SPRING	2		5	HK0725	
35	90303070501	WASHER,PLAIN	2		5	HK0725	
51	42353112100	SUPPORT	1				
52	42353112200	DETECTOR,ANGLE (WITH HARNESS)	1				
53	42351692300	GEAR	1				
54	90710004050	SCREW,SET	1		M4X5		
55	90101206008	BOLT	2		M6X8		
56	90302040601	WASHER,SPRING	4		6		
57	90303070601	WASHER,PLAIN	2		6		
58	90101204012	BOLT	2		M4X12		
59	90302040401	WASHER,SPRING	2		4		
60	90303070401	WASHER,PLAIN	2		4		
61	82100002002	CLAMP	2		WR6		
62	90201200600	NUT	2		M6		
83	82400000200	GROMMET	1		KG-012,L=250		

# AT-110-4 42084400096 UPPER PN1014597-01 ELEC.ASSY (FRAME)



# AT-110-4 42084400096 UPPER

Pos No.	Parts No	Parts Name	Qty	Unit	Technical Data	Serial No (Start)	Serial No
1	42502590100	SUPPORT	1				
2	90101208014	BOLT	2		M8X14		
3	90302040801	WASHER,SPRING	2		8		
4	90201200800	NUT	2		M8		
5	90813108016	BOLT,WING	1		M8X16		
6	42651490100	LAMP ASSY	1				
7	91810130240	FASTENER	2				
8	82401601002	CLAMP	2				
9	82100002004	CLAMP	1		WR8		
10	90101206010	BOLT	1		M6X1.0		
11	90302040601	WASHER,SPRING	1		6		
12	42970430200	HARNESS	1				
13	90101208022	BOLT	1		M8X22	219661	
31	82165904020	LAMP	1		24V 60W		
32	90101212020	BOLT	1		M12X20		
33	90302041201	WASHER,SPRING	1		12		
34	37000113640	PIN	1				
41	82100000054	BULB,LAMP	1		24V 60W		
42	82100002838	SWITCH ASSY (WITH HARNESS,TERMINAL)	1				

# AT-110-4 42084400096 UPPER

Pos No.	Parts No	Parts Name	Qty	Unit	Technical Data	Serial No (Start)	Serial No (End)	Remarks	Pages
1	42653361100	PLATE	2						
2	82161202010	RELAY	1						
3	82100002597	RELAY	2						
4	82161201010	RELAY	4						
5	82100002596	RELAY	7						
6	90186206010	BOLT,FLANGE	16		M6X10				
7	42808712100	RELAY ASSY	1						
8	42651091100	RELAY ASSY	1						
9	90186206016	BOLT,FLANGE	2		M6X16				
10	82161300010	RELAY	1						
11	80192483010	SCREW,MACHINE	4		M3X10				
12	42950564100	RELAY ASSY	1						
13	91810132530	FASTENER	3						
14	42653901100	SUPPORT	1				HK0007		
	42654052200	SUPPORT	1			HK0008			
15	90101206025	BOLT	1		M6X25		219959		
	90102206025	BOLT	1		M6X25	219960			
16	90302040601	WASHER,SPRING	2		6				
17	90201200600	NUT	1		M6				

# AT-110-4 42084400096 UPPER

Pos No.	Parts No	Parts Name	Qty	Unit	Technical Data	Serial No (Start)	Serial No (End)
3	82105220286	SWITCH,TOGGLE	5				
50	42653673600	SWITCH ASSY (WITH HARNESS,5 SW)	1				

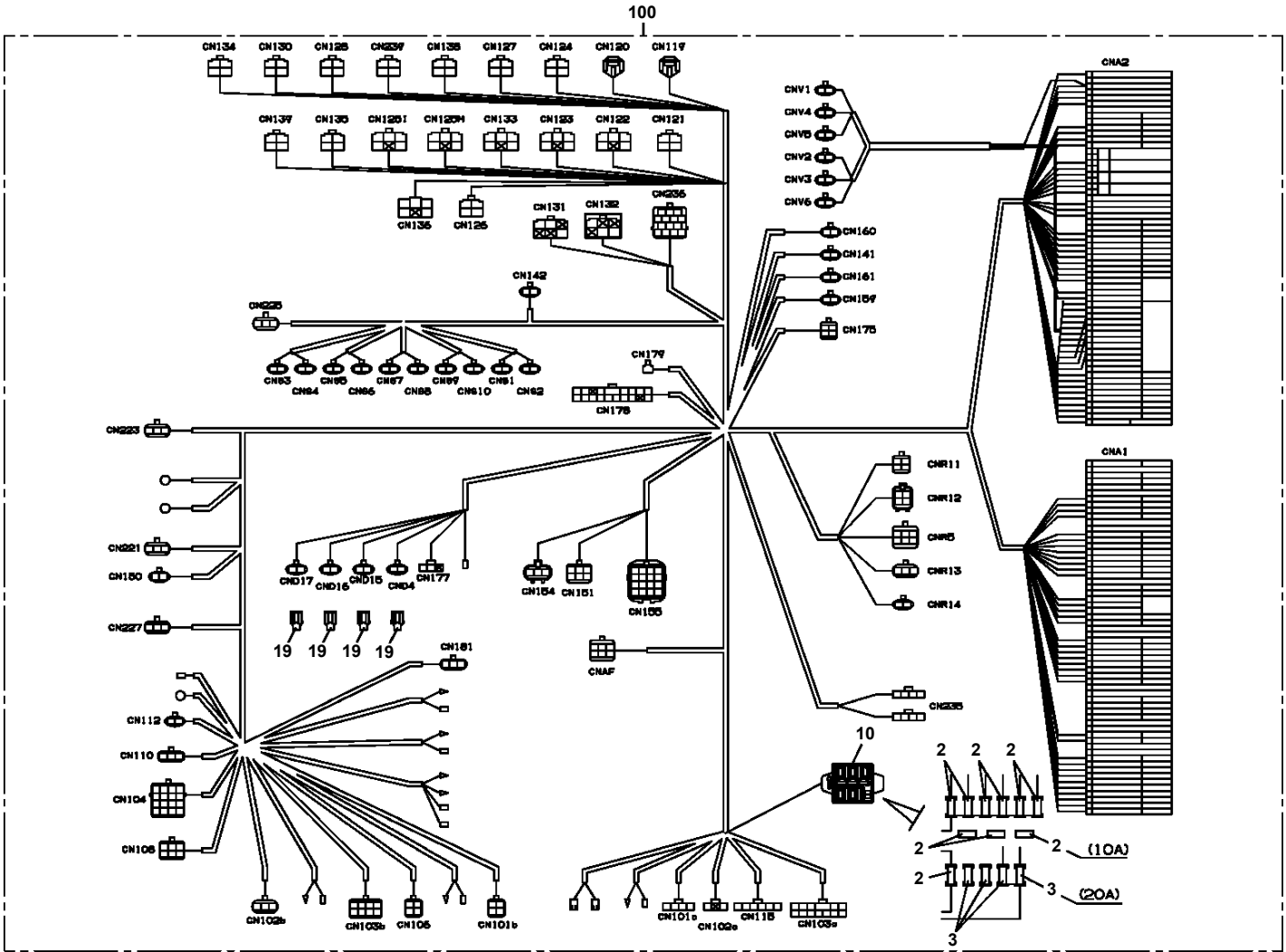
# AT-110-4 42084400096 UPPER

Pos No.	Parts No	Parts Name	Qty	Unit	Technical Data	Serial No (Start)	Serial No (End)	Remarks	Pages
1	42420617580	CASE	1						
2	42420617590	COVER	1						
3	42420617600	PACKING	1						
4	42420617610	PLATE	1						
7	42420613290	BOARD,CIRCUIT	1				HK2479		
	42420613291	BOARD,CIRCUIT	1			HK2480			
8	42651097560	BUSHING	1						
9	42420617570	BUSHING	1						
30	42420613200	CONVERTER (PAL)	1						

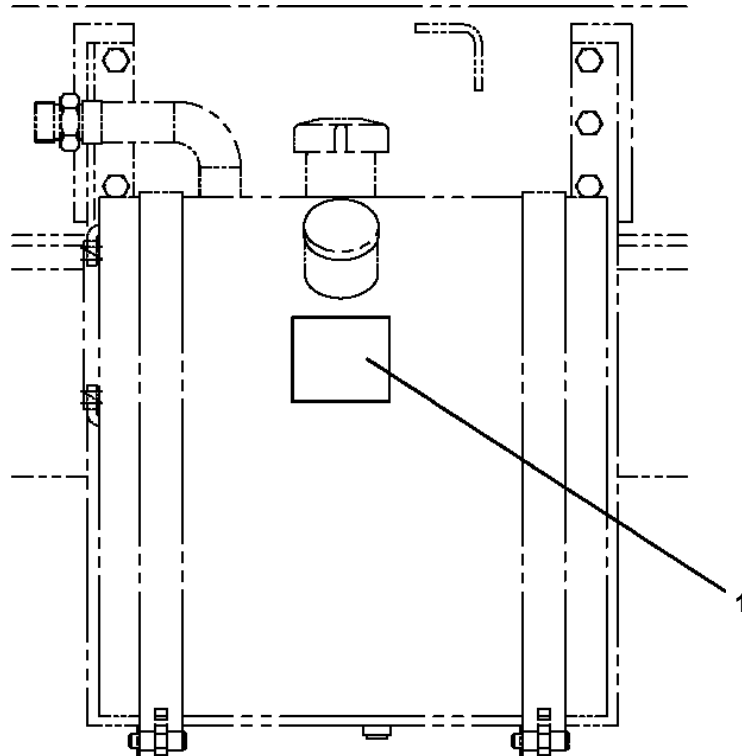
# AT-110-4 42084400096 UPPER

Pos No.	Parts No	Parts Name	Qty	Unit	Technical Data	Serial No (Start)	Serial No (End)	Remarks	Pages
1	42478281000	SUPPORT	1				219764		
	42478281001	SUPPORT	1			219765			
2	90101208016	BOLT	6		M8X16				
3	90302040801	WASHER,SPRING	6		8				
4	90101210020	BOLT	4		M10X20				
5	90302041001	WASHER,SPRING	4		10				
6	82100002040	CLAMP	1		WE15				
7	90101206012	BOLT	1		M6X12				
8	90302040601	WASHER,SPRING	1		6				
9	42477921002	CHARGER ASSY	1						
10	42478282000	COVER ASSY	1				219764		
	42478282001	COVER ASSY	1			219765			
11	90201201000	NUT	4		M10				
12	42478280010	PLATE,CAUTION	1						
13	42478280020	PLATE,NAME	1						
14	90303070601	WASHER,PLAIN	1		6				
31	90101206012	BOLT	12		M6X12		219764		
	90101206020	BOLT	12		M6X20	219765			
32	82464107815	HINGE	2						
33	90302040601	WASHER,SPRING	12		6				
34	37000575480	PLATE	4						
35	42420385020	PLATE	1						
36	80172804008	SCREW,MACHINE	6		M4X8		219764		
	80172804012	SCREW,MACHINE	6		M4X12	219765			
37	90302510401	WASHER,SPRING	6		4				
38	82466124001	CATCH	1						
39	42420385010	PLATE	1						
40	42478282100	COVER	1				219764		
	42478282101	COVER	1			219765			
41	42478282500	COVER	1						
55	82400000201	GROMMET	1		KG-016		219764		
	82400000202	GROMMET	1			219765			

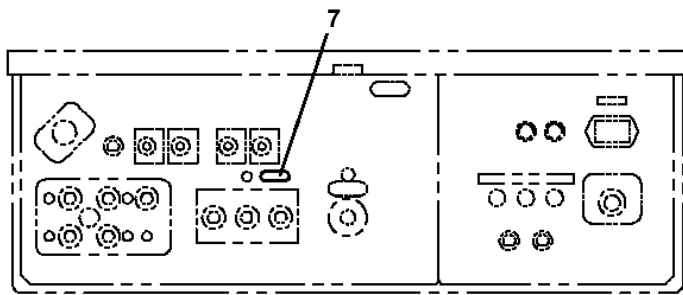
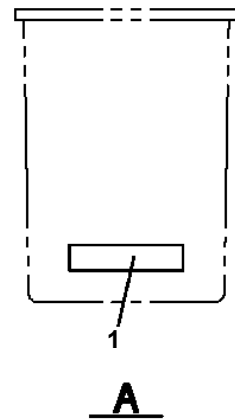
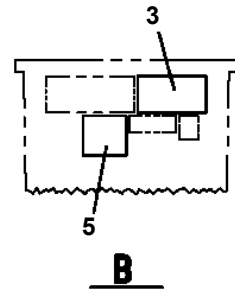
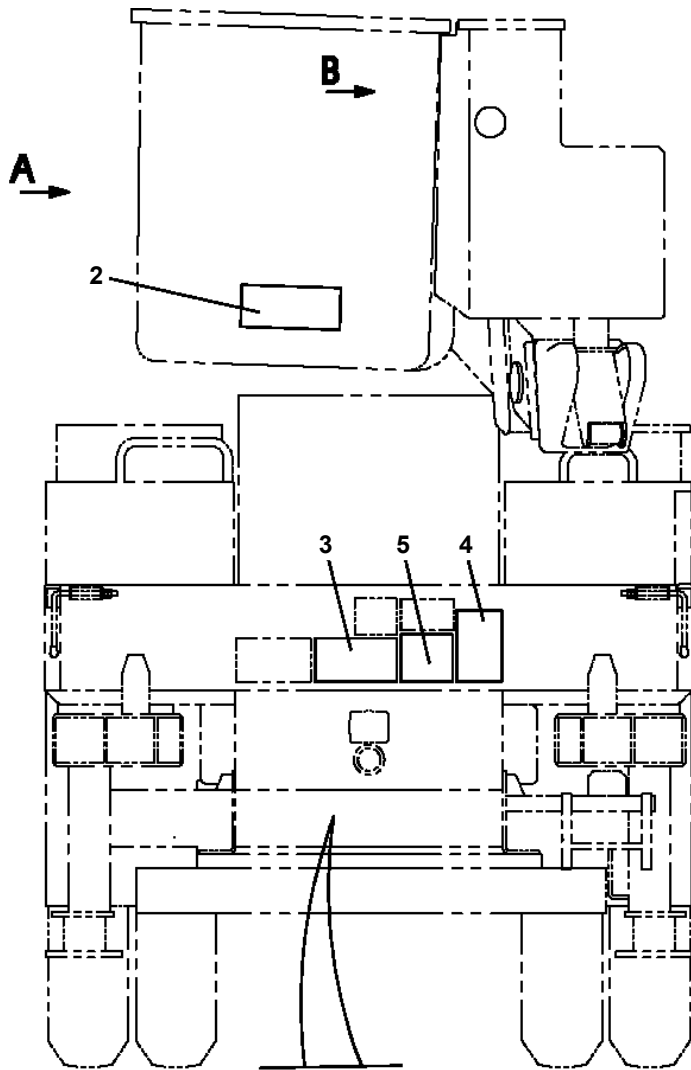
**AT-110-4 42084400096 UPPER  
PN1450093-00 HARNESS**



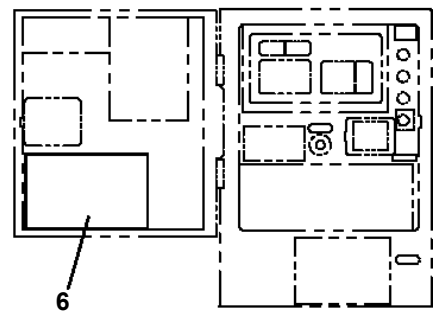
AT-110-4 42084400096 UPPER  
PO1014634-01 PLATE ASSY,NAME (OIL/COLD DISTRICT)



AT-110-4 42084400096 UPPER  
 PO1015416-01 PLATE ASSY,NAME (SPECIFICATION)

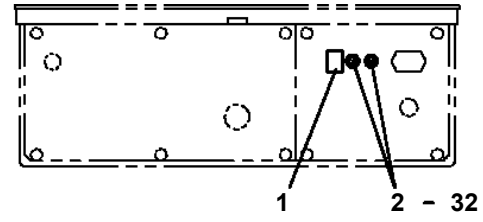


扉を開いた状態

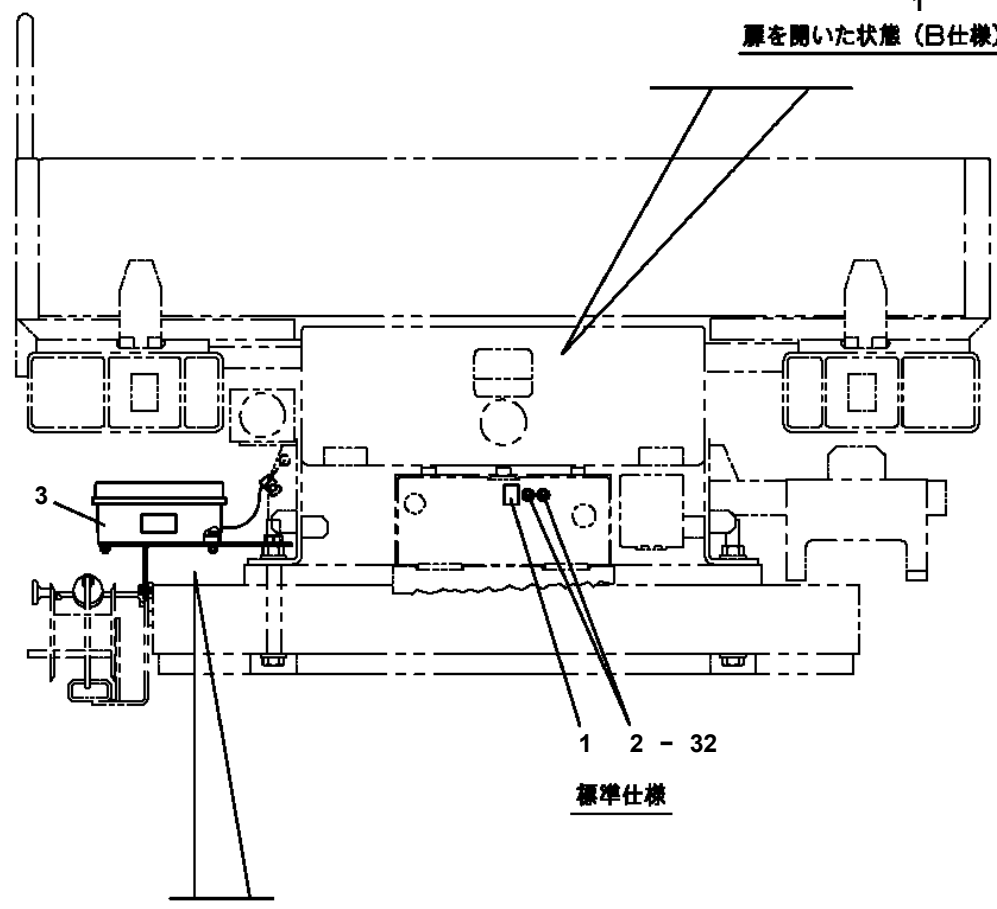


キャブ左後方操作部  
扉を開いた状態

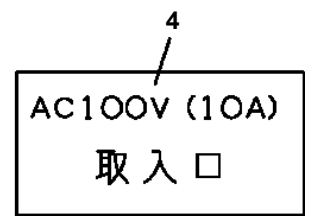
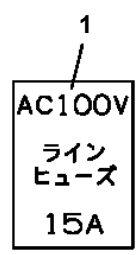
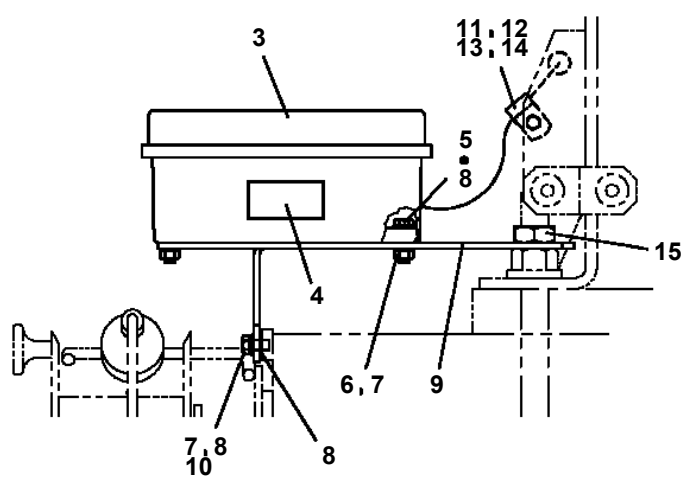
AT-110-4 42084400096 UPPER  
 PP5340001-01 POWER SUPPLY ASSY,ELECTRICITY(LOWER/W/ CABLE 2POLES,B,



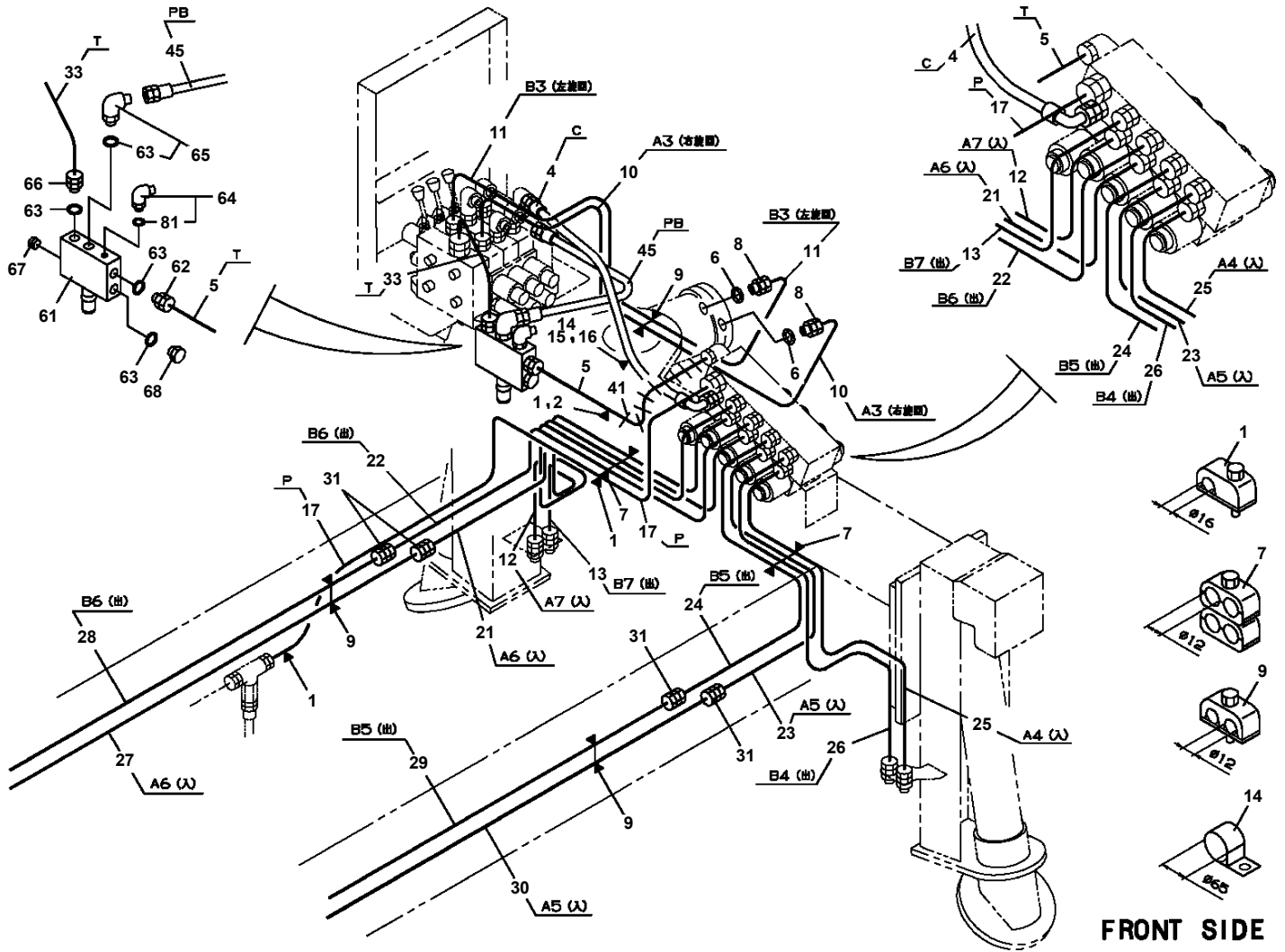
扉を開いた状態 (B仕様)



標準仕様



# AT-110-4 42084400096 UPPER PP6130013-00 PIPING ASSY,FRAME



# AT-110-4 42084400096 UPPER

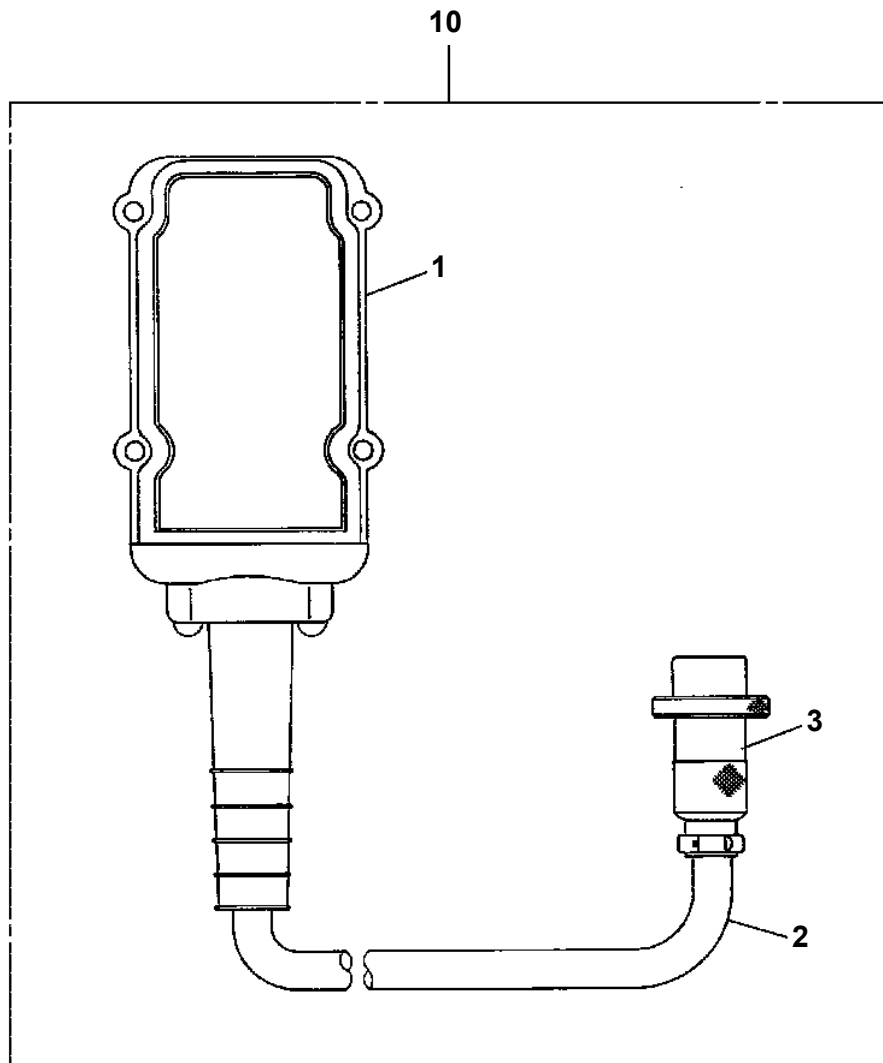
Pos No.	Parts No	Parts Name	Qty	Unit	Technical Data	Serial No (Start)	Serial No (End)
1	82105900060	SWITCH,TOGGLE	1				
2	82105220193	SWITCH,TOGGLE	1				
3	82105900010	SWITCH,TOGGLE	1				
50	42332531301	SWITCH ASSY (WITH HARNESS,3 SW)	1				

# AT-110-4 42084400096 UPPER

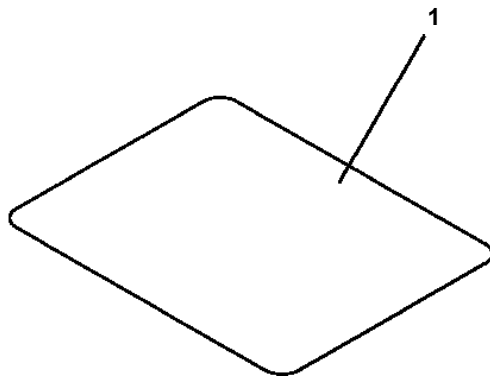
Pos No.	Parts No	Parts Name	Qty	Unit	Technical Data	Serial No (Start)	S
1	42973990100	SUPPORT (7 DEGREES ANGLE METER MOUNTING)	1				

AT-110-4 42084400096 UPPER

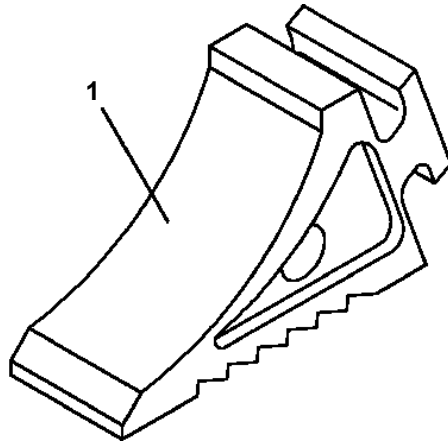
PV1030110-00 SWITCH BOX (ELECTRIC BOOSTER, 5M,NANABOSI,SINKOU DENKI)



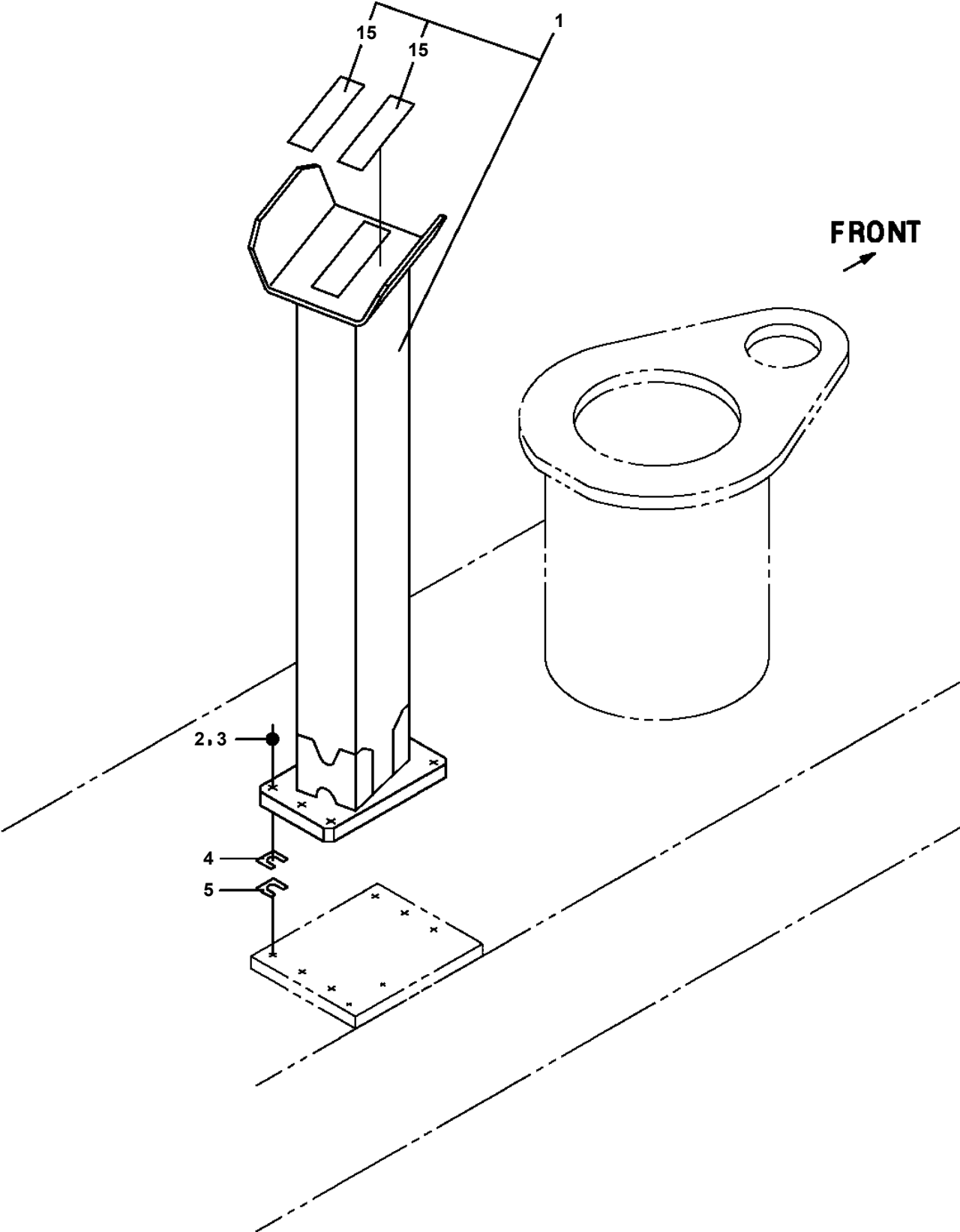
**AT-110-4 42084400096 UPPER  
PW1010251-00 ACCESSORIES (MAT/FOR SI BUCKET)**



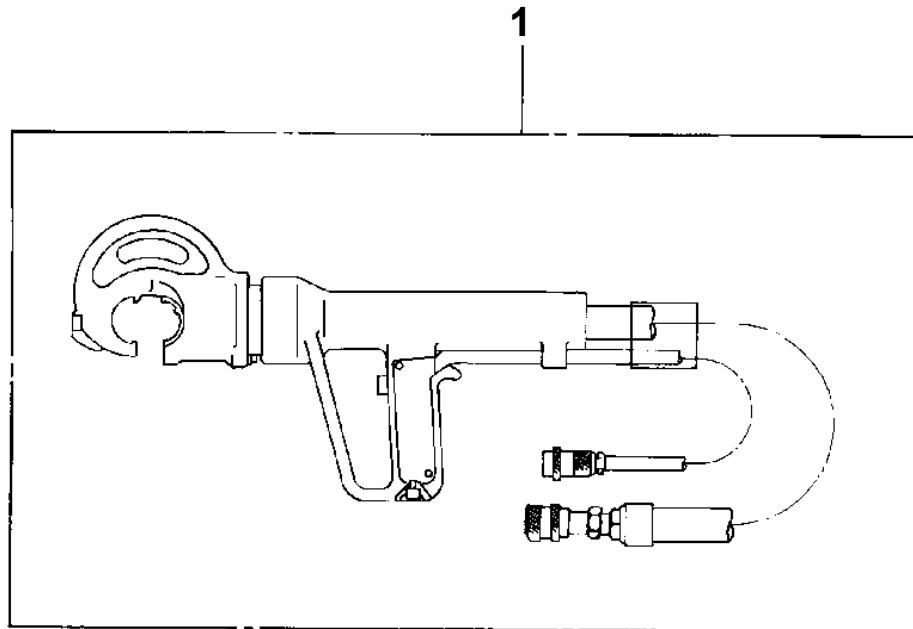
**AT-110-4 42084400096 UPPER  
PW1050018-01 WEDGE (STOPPER FOR TIRE/JUSTIN)**



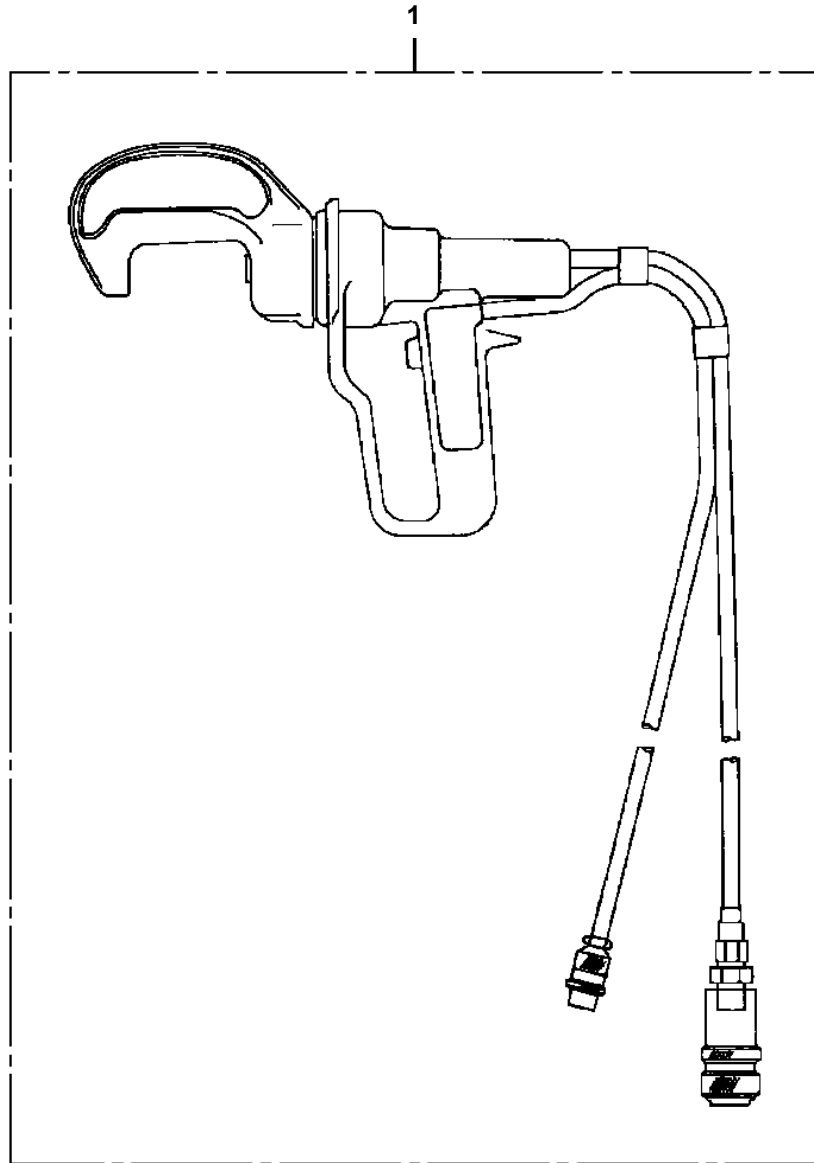
**AT-110-4 42084400096 UPPER  
PX1120627-01 BOOM REST**



**AT-110-4 42084400096 UPPER  
PY1050002-00 CLAMP HEAD (IZUMI 12TON 3.5M)**

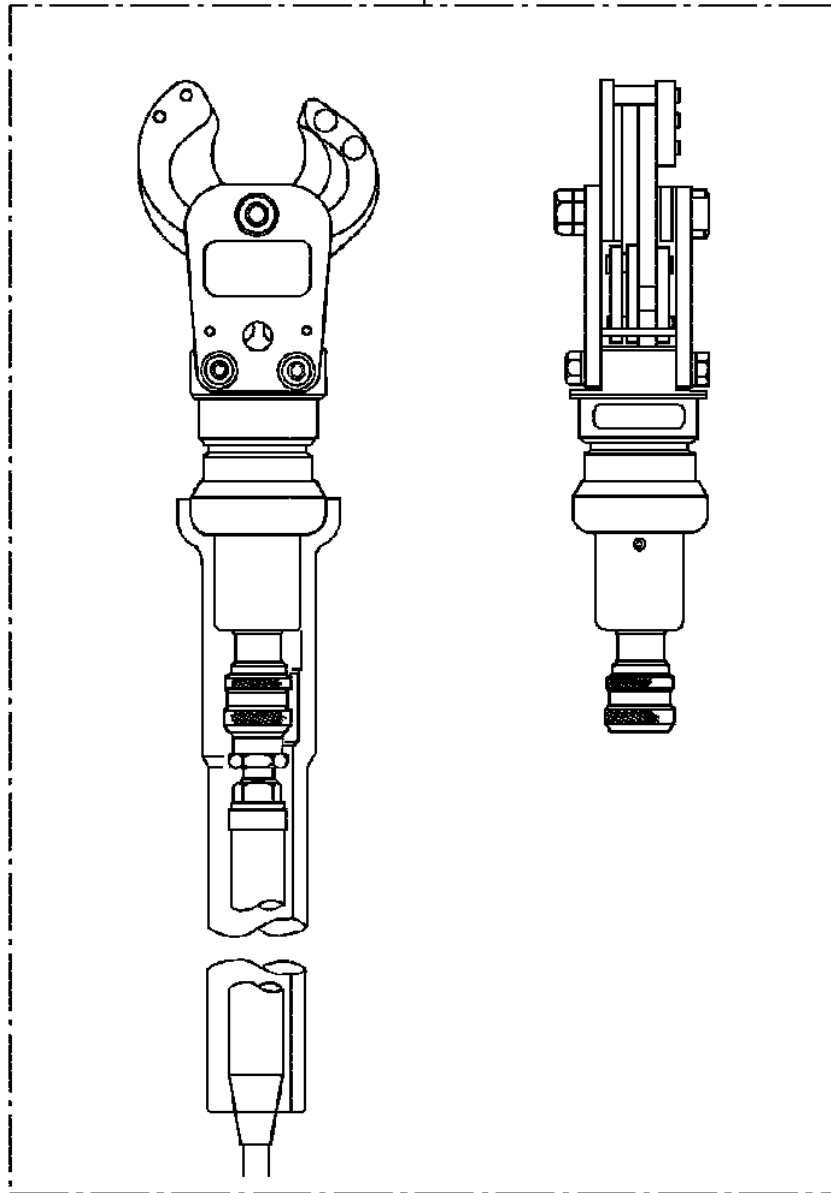


**AT-110-4 42084400096 UPPER  
PY1050008-01 CLAMP HEAD (IZUMI 8TON 3.5M ELECTRIC)**

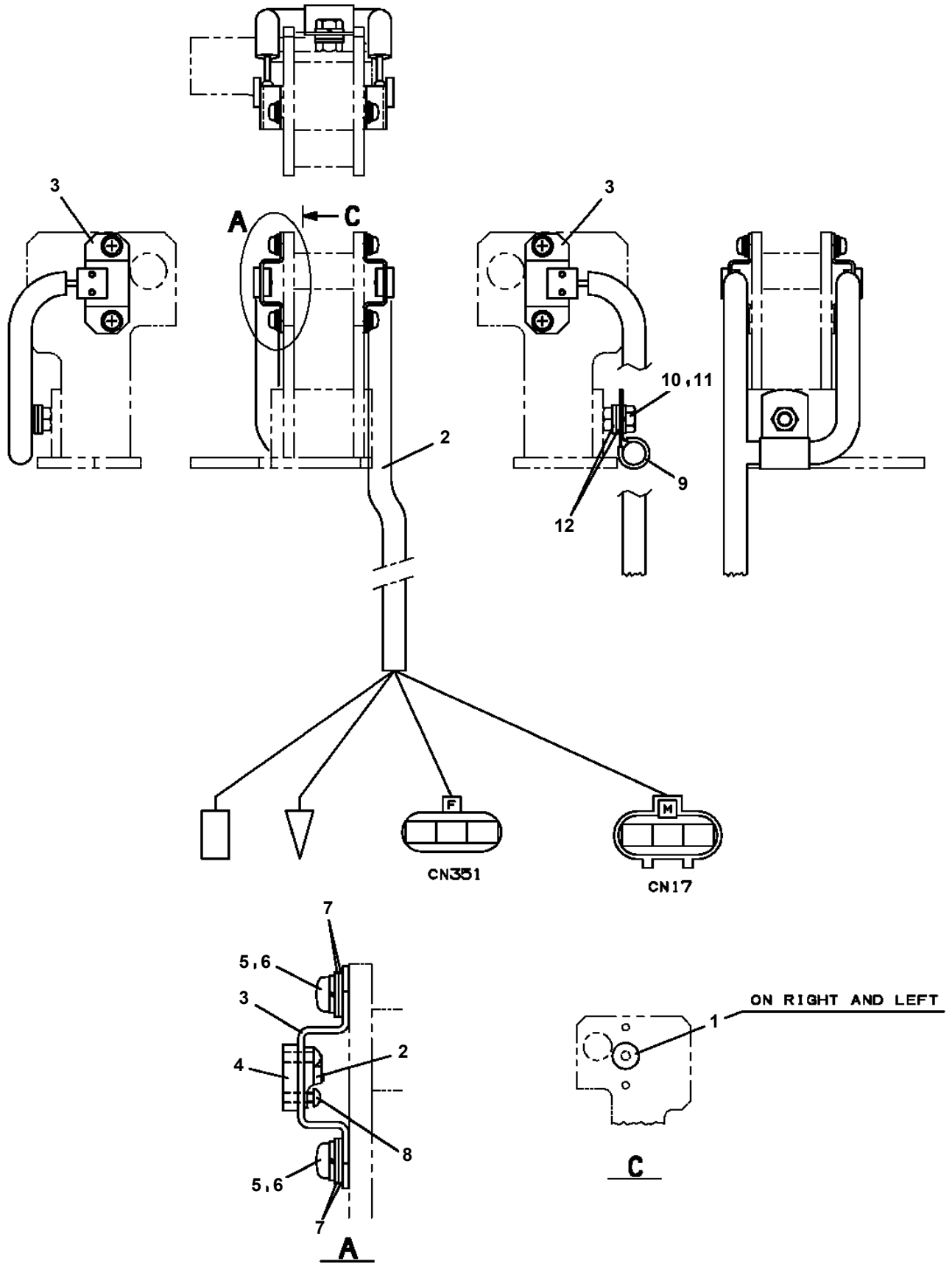


**AT-110-4 42084400096 UPPER  
PY1060004-01 CUTTER HEAD (IZUMI 6.4TON 2.5M ELECTRICSANWA)**

1



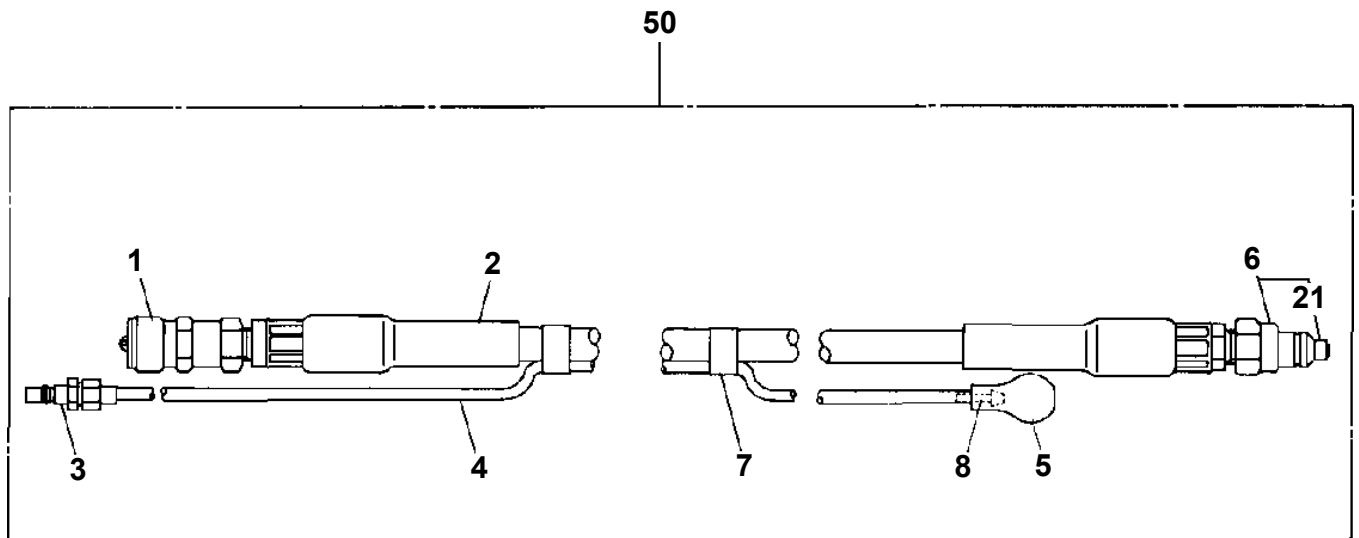
**AT-110-4 42084400096 UPPER  
PY1130037-00 INTERLOCK**



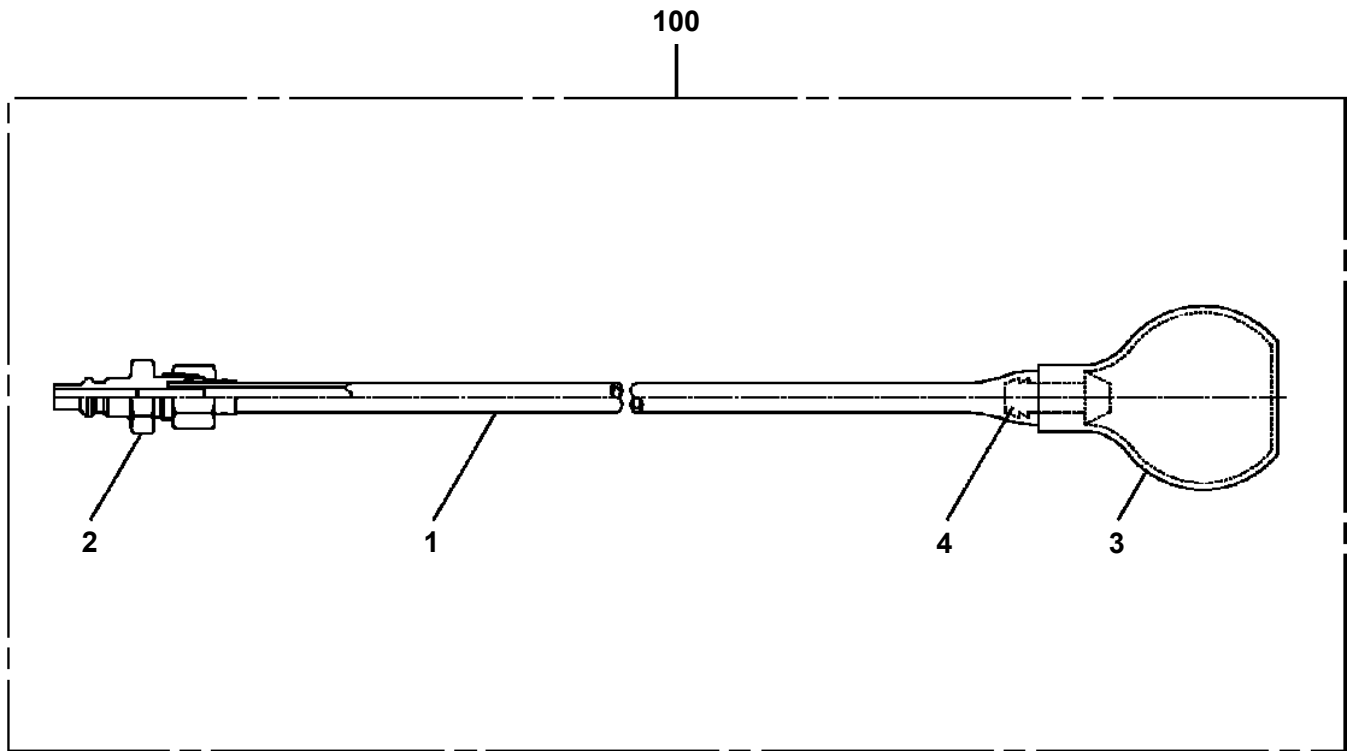
# AT-110-4 42084400096 UPPER

Pos No.	Parts No	Parts Name	Qty	Unit	Technical Data	Serial No (Start)	Serial No (End)	R
1	36051815020	COVER (SIDE,A)	1					
2	91002806000	O-RING	1		1B P60			
3	91411006000	RING,BACKUP	1		P60			
4	36050345020	HEAD	1					
5	12235104020	SPRING	1					
6	80560061000	BALL,STEEL	1		3/8			
7	36050345030	PACKING SET	1					
8	36051485020	TUBE	1					
9	36050395031	TUBE	1					
10	91001209500	O-RING	2		1A G95			
11	36050395042	COVER (B)	1					
12	91411004200	RING,BACKUP	1		P42			
13	91001104200	O-RING	1		1A P42			
14	36050395051	ROD	1					
15	36050395061	TUBE	1					
16	36050395071	ROD,PUSH	1					
17	91002802600	O-RING	1		1B P26			
18	36050345090	PISTON	1					
19	91411009000	RING,BACKUP	2		P90			
20	91001109000	O-RING	1		1A P90			
21	36050125110	NUT	1					
22	36050845012	COVER (SIDE)	1					
23	91002801200	O-RING	1		1B P12			
24	80602110170	RING,RITAINING	1		R17			
25	91002801000	O-RING	2		1B P10			
26	90201201000	NUT	1		M10			
27	36050125130	BUSH	1					
28	91001100800	O-RING	1		1A P8			
29	91411000800	RING,BACKUP	1					
30	36050395102	BOLT,STUD	4		M14X1.5			
31	90209701400	NUT	4		M14			
32	36050801400	WASHER,PLAIN	4					
33	91002909500	O-RING	2		1B G95			
34	90131505015	BOLT,HEXAGON SOCKET	4		M5X15			
35	90654006060	SCREW,SET (HEXAGON SOCKET)	1		M6X6			
38	59457138000	PLUG ASSY	1					
40	80316030040	PLUG	1		PT1/4			
41	42475953000	SWITCH,BOOSTER	1					
42	91002800800	O-RING	1		1B P8			
100	36051811000	BOOSTER	1					

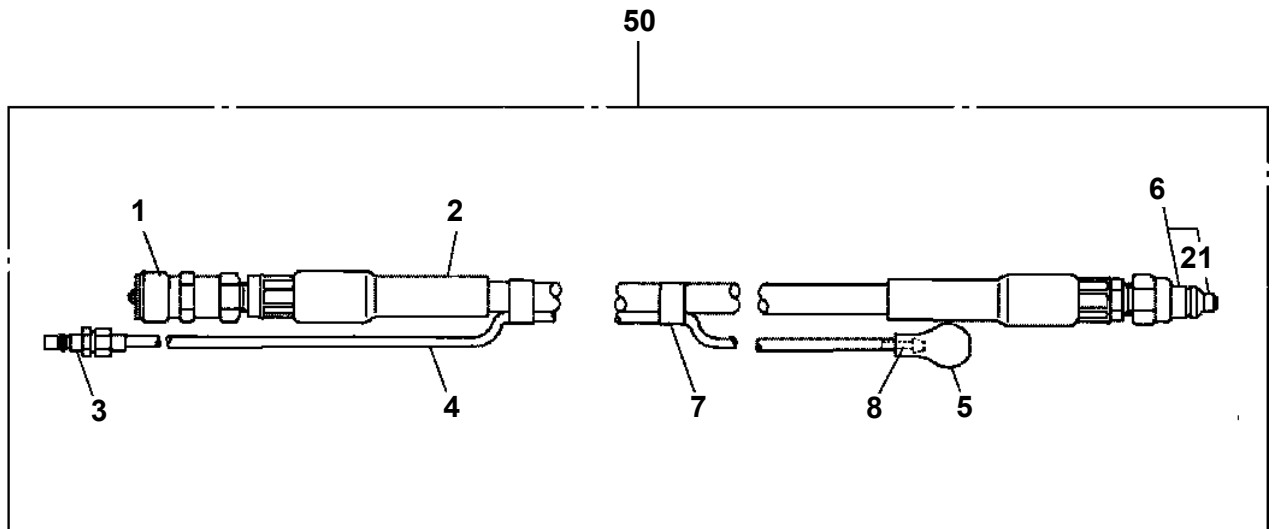
**AT-110-4 42084400096 UPPER  
PY1590000-02 HOSE,BOOSTER (WITH AIR BALLOON)**



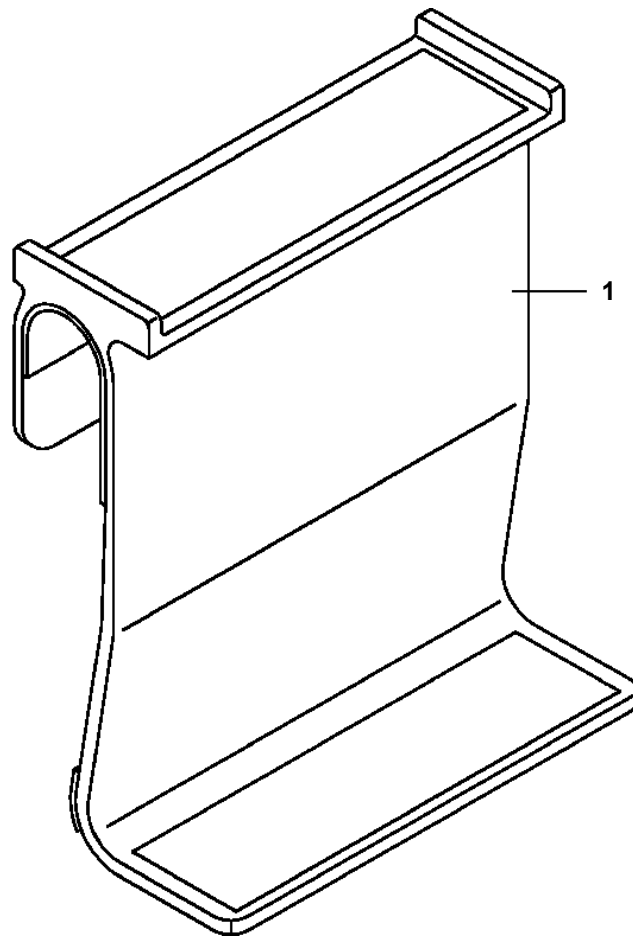
**AT-110-4 42084400096 UPPER  
PY1590006-00 HOSE,BOOSTER (LARGE,AIR BALLOON ONLY)**



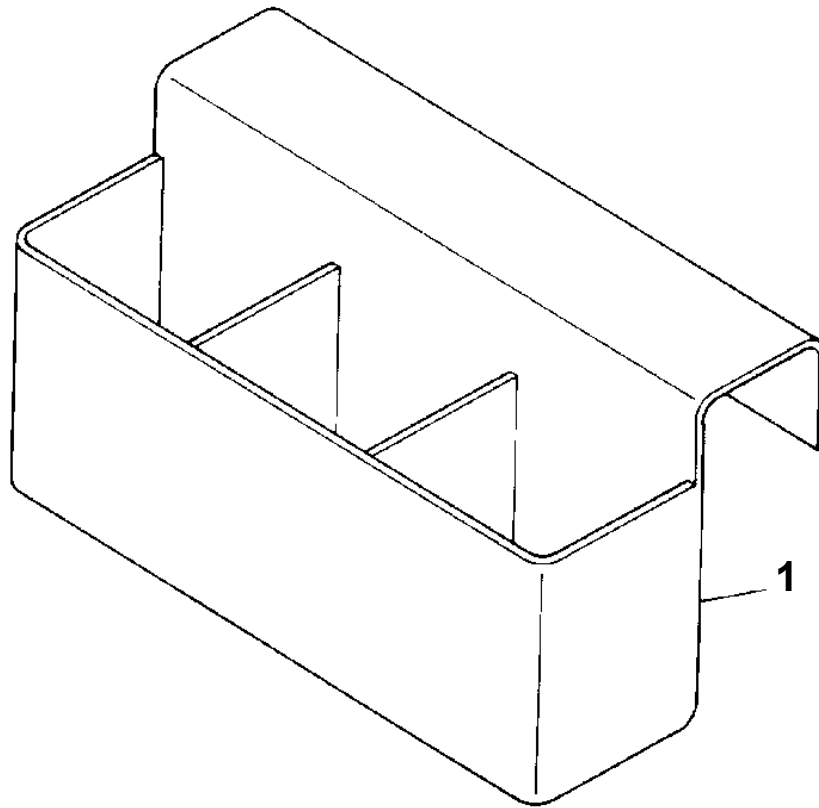
**AT-110-4 42084400096 UPPER  
PY1590012-00 HOSE,BOOSTER (WITH AIR BALLOON,5M)**



**AT-110-4 42084400096 UPPER  
PY1760003-00 STEP,BUCKET (GRAY,FOR BUCKET INNER)**



**AT-110-4 42084400096 UPPER  
PY2120000-00 BOX,TOOL (FOR BUCKET)**



CLICK HERE TO **DOWNLOAD** THE COMPLETE MANUAL

- Thank you very much for reading the preview of the manual.
- You can download the complete manual from: [www.heydownloads.com](http://www.heydownloads.com) by clicking the link below



- Please note: If there is no response to CLICKING the link, please download this PDF first and then click on it.

CLICK HERE TO **DOWNLOAD** THE COMPLETE MANUAL