

**AT-110-4 42084430600 LOWER,HINO PB-XZU301X-TYTMS6**

PB3000170-00 POWER UNIT  
PO1000149-00 INDICATION PLATES  
PX2000767-01 CARRIER UNIT  
PX3000450-01 MOUNTING UNIT  
PY1001069-01 OPTIONS  
ASSEMBLY

CLICK HERE TO **DOWNLOAD** THE COMPLETE MANUAL

- Thank you very much for reading the preview of the manual.
- You can download the complete manual from: [www.heydownloads.com](http://www.heydownloads.com) by clicking the link below



- Please note: If there is no response to CLICKING the link, please download this PDF first and then click on it.

CLICK HERE TO **DOWNLOAD** THE COMPLETE MANUAL

# AT-110-4 42084430600 LOWER,HINO PB-XZU301X-TYTMS6

Pos No.	Parts No	Parts Name	Qty	Unit	Technical Data	Serial No (S
3	(*****)	VIEW SYSTEM (FOR HINO,TOYOTA)	1			
	(*****)	VIEW SYSTEM (FOR MITSUBISHI)	1			
	(*****)	VIEW SYSTEM (FOR ISUZU,NISSAN,MAZDA)	1			
5	(*****)	SUPPORT (FIXED RADDER REST)	1			
	(*****)	SUPPORT (SWIVEL LADDER REST,2-DECKER/2007)	1			218752
	(*****)	SUPPORT (FIXED LADDER REST,2-DECKER/2007)	1			218752
	(*****)	SUPPORT (FIXED LADDER REST,1-DECKER/2007)	1			218752
6	(*****)	SUPPORT (1-DECK & FOR SHELF SLIDE BOX/2007,2010)	1			218752
7	(*****)	BOX,TOOL (DRAWER FOR LEFT SLIDE TOOL BOX:2007,2010)	1			218752
	(*****)	BOX,TOOL (DRAWER/2007)	1			218752
	(*****)	BOX,TOOL (DRAWER FOR LEFT TOOL BOX:2007,2010)	1			219342

# AT-110-4 42084430600 LOWER,HINO PB-XZU301X-TYTMS6

Pos No.	Parts No	Parts Name	Qty	Unit	Technical Data	Serial No (Start)	Serial No (End)	Remarks	Page
1	36654110000	PUMP,HYDRAULIC	1						00000

# AT-110-4 42084430600 LOWER,HINO PB-XZU301X-TYTMS6

Pos No.	Parts No	Parts Name	Qty	Unit	Technical Data	Serial No (Start)	Serial No (End)	Remarks	Pages
1	42501151600	CASE, OUTER	1						
2	42501151800	CASE, INNER	1						
3	36035810000	CYLINDER, JACK	1						000016
4	37000165180	PIN	1						
5	80601110250	RING, RITAINING	2		S25				
7	37000169010	PIN	1		30				
8	80601110300	RING, RITAINING	2		S30				
9	42613791600	COVER	1						
10	90186206014	BOLT, FLANGE	2		M6X14				
11	36625740001	VALVE, CHECK	1						000045
12	90171108055	BOLT	4		M8X55				
13	42611870030	COVER	1						
14	90101208012	BOLT	4		M8X12				
15	90302040801	WASHER, SPRING	4		8				
16	90171108016	BOLT	2		M8X16				
17	31611640150	SPRING	1						
18	37000504780	PLATE	N		T=0.6				
41	82100002002	CLAMP	1		WR6				
42	90101206018	BOLT	1		M6X18				
43	90302040601	WASHER, SPRING	1		6				
44	90101208022	BOLT	2		M8X22				
45	42613794100	PLATE	1						
46	42613794010	BOLT	1		M6X20				
47	90201200600	NUT	1		M6				
48	82104502010	SWITCH, LIMIT	1						
49	90101204025	BOLT	2		M4X25				
50	90302040401	WASHER, SPRING	2		4				
51	42611483300	PLATE	1		T=3				
52	42501152100	COVER	1						
53	91810130240	FASTENER	N						
54	90302040801	WASHER, SPRING	4		8				
55	90101208010	BOLT	2		M8X10				
56	90201200800	NUT	1		M8				
100	42501151501	OUTRIGGER	1						

**AT-110-4 42084430600 LOWER,HINO PB-XZU301X-TYTMS6**

Pos No.	Parts No	Parts Name	Qty	Unit	Technical Data	Serial No (Start)	Serial No (End)	Remarks	Pages
1	42971110100	SUPPORT	1						
2	42971100200	SUPPORT	1						
3	90101210025	BOLT	2		M10X25	218752			
4	90302041001	WASHER,SPRING	2		10				
5	90201201000	NUT	2		M10				
6	90303071001	WASHER,PLAIN	2		10				
7	90101208020	BOLT	2		M8X20		219273		
8	90302040801	WASHER,SPRING	2		8		219273		
9	82466102908	WASHER	2				219273		

# AT-110-4 42084430600 LOWER,HINO PB-XZU301X-TYTMS6

Pos No.	Parts No	Parts Name	Qty	Unit	Technical Data	Serial No (Start)	Serial No (End)	Remarks	Pages
1	42739941110	DISPLAY	1						000033
2	42807401150	CABLE	1						
3	42739931150	CAMERA	1						000035
50	42739991100	VIEW SYSTEM	1						

# AT-110-4 42084430600 LOWER,HINO PB-XZU301X-TYTMS6

Pos No.	Parts No	Parts Name	Qty	Unit	Technical Data	Serial No (Start)	Serial No (End)	Remarks	
1	(*****)	VIEW SYSTEM (MONITOR)	1						0
2	(*****)	VIEW SYSTEM (CAMERA)	1						0

**AT-110-4 42084430600 LOWER,HINO PB-XZU301X-TYTMS6**

Pos No.	Parts No	Parts Name	Qty	Unit	Technical Data	Serial No (Start)	Serial No (End)	Remarks	Pages
2	42739937510	BRACKET	1				HK1028		
3	42739937520	HOOD	1				HK1028		
10	42739937530	BRACKET ASSY	1				HK1028		
21	42739937511	BRACKET	1			HK1029			
31	42739937521	HOOD	1			HK1029			
100	42739931150	CAMERA	1						

CLICK HERE TO **DOWNLOAD** THE COMPLETE MANUAL

- Thank you very much for reading the preview of the manual.
- You can download the complete manual from: [www.heydownloads.com](http://www.heydownloads.com) by clicking the link below



- Please note: If there is no response to CLICKING the link, please download this PDF first and then click on it.

CLICK HERE TO **DOWNLOAD** THE COMPLETE MANUAL

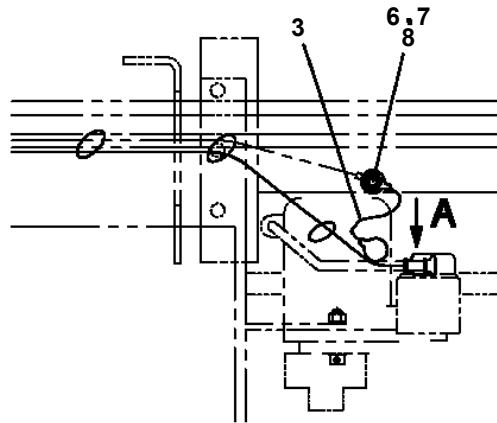
# AT-110-4 42084430600 LOWER,HINO PB-XZU301X-TYTMS6

Pos No.	Parts No	Parts Name	Qty	Unit	Technical Data	Serial No (Start)	Serial No (End)	Remarks	Pages
100	42715390100	HARNESS	1						

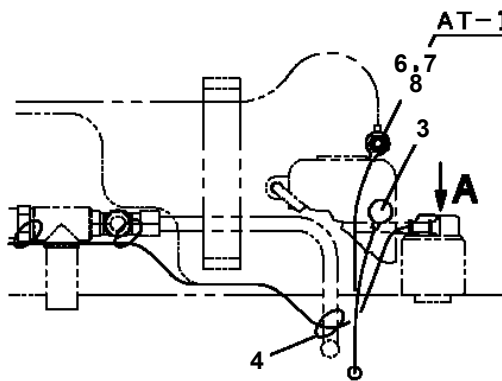
# AT-110-4 42084430600 LOWER,HINO PB-XZU301X-TYTMS6

Pos No.	Parts No	Parts Name	Qty	Unit	Technical Data	Serial No (Start)	Serial No (End)	Remarks	Pages
12	91002801400	O-RING	2		1B P14				
100	36625740001	VALVE,CHECK	1						

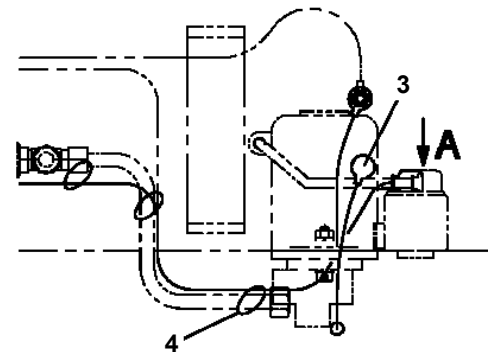
AT-110-4 42084430600 LOWER,HINO PB-XZU301X-TYTMS6  
 PN1013988-05 ELEC.ASSY (BATTERY & EMERGENCY PUMP)



**B**  
 AT-121-3の場合



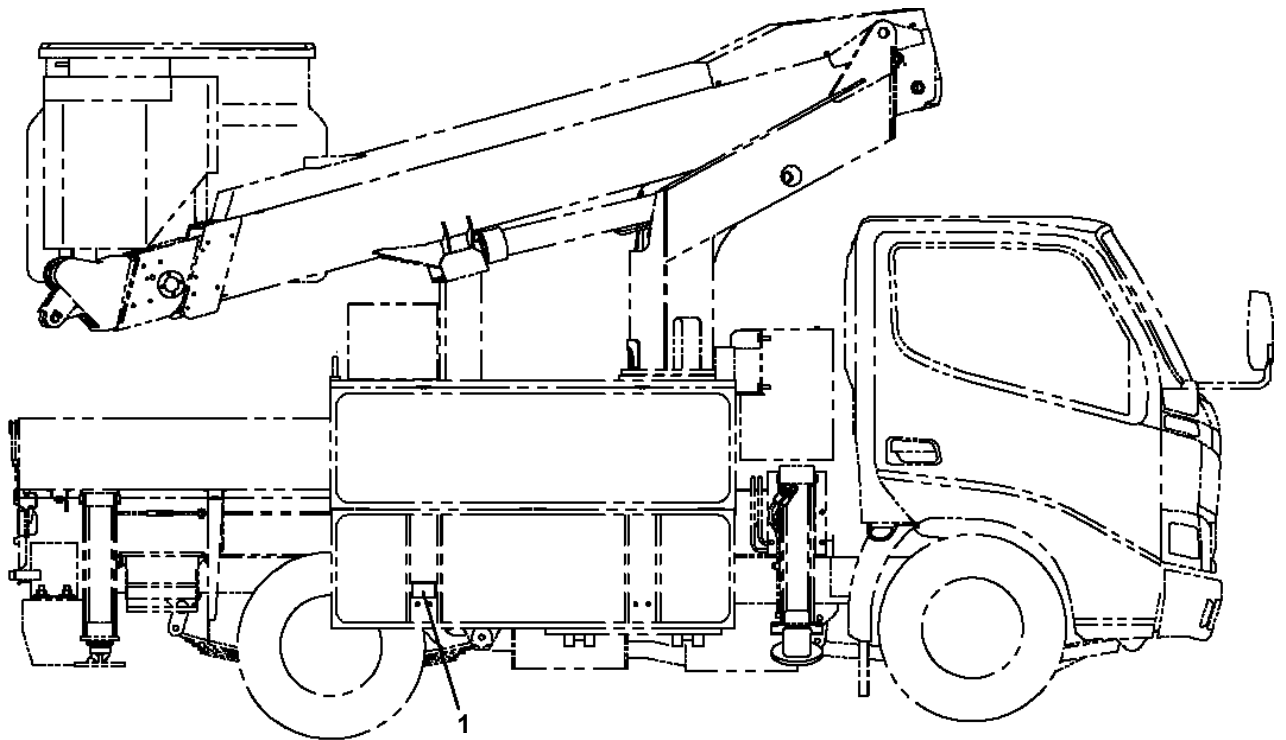
AT-100-5  
 AT-110-5  
 AT-121-3 の場合



AT-121-2  
 AT-110/100-4  
 AT-80 の場合

**C**

AT-110-4 42084430600 LOWER,HINO PB-XZU301X-TYTMS6  
PO1014439-01 PLATE ASSY,NAME (BOX,TOOL)

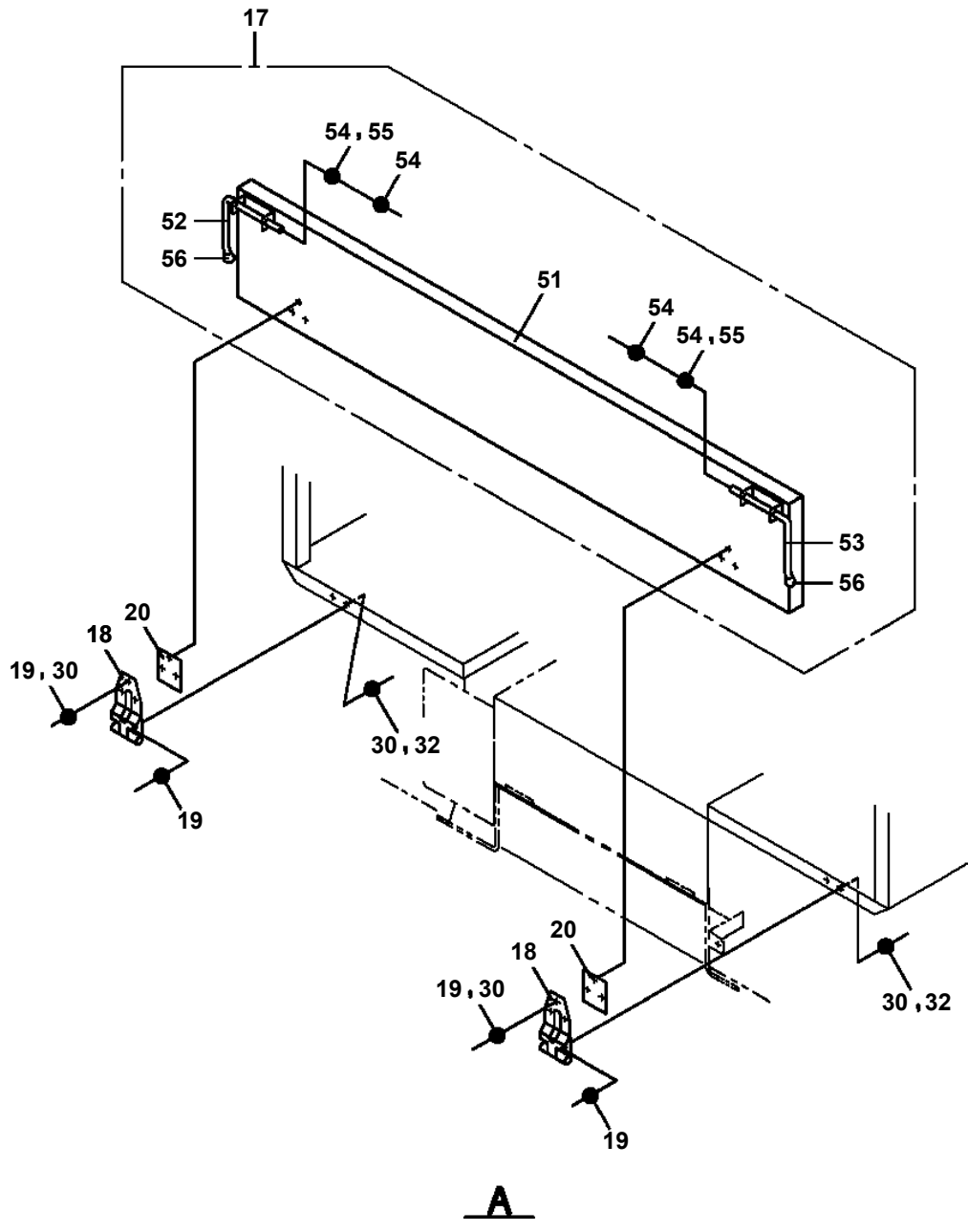


1

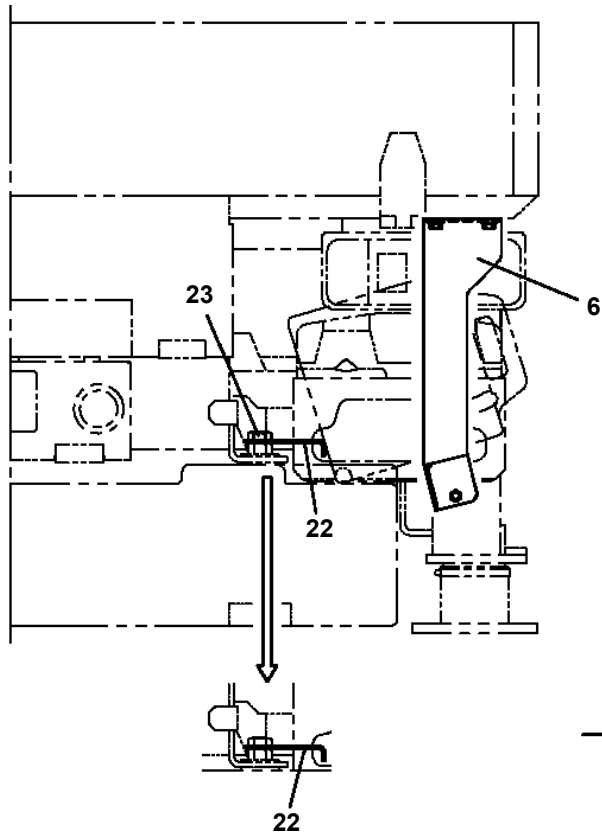
**△警告**

●取付が終わるときには、直後のマフラーに注意してください。マフラーに接触すると、やけどをする恐れがあります。

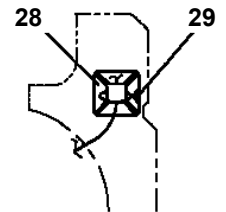
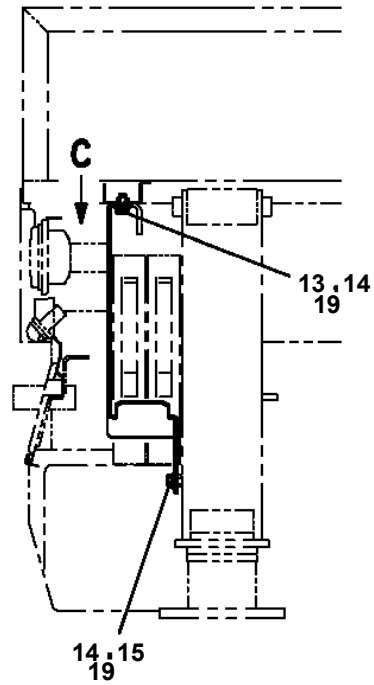
AT-110-4 42084430600 LOWER,HINO PB-XZU301X-TYTMS6  
PX1210135-00 GUARD



AT-110-4 42084430600 LOWER, HINO PB-XZU301X-TYTMS6  
 PX1270145-01 WOOD BLOCK

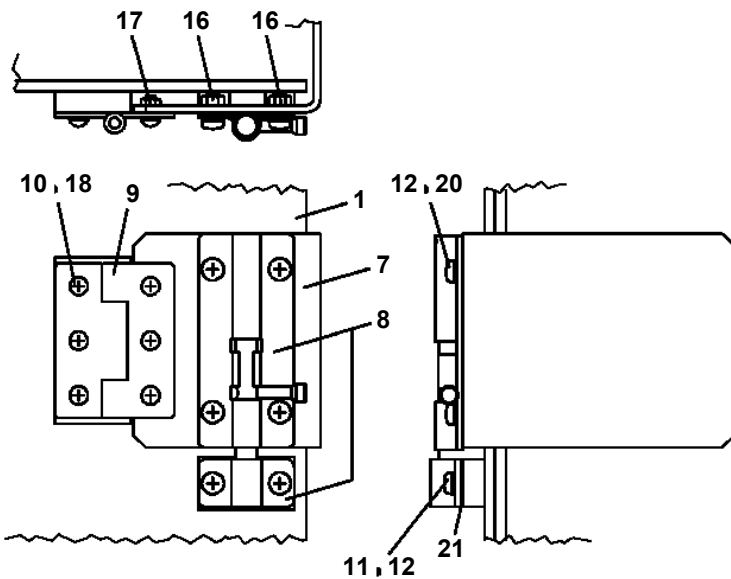


**A**



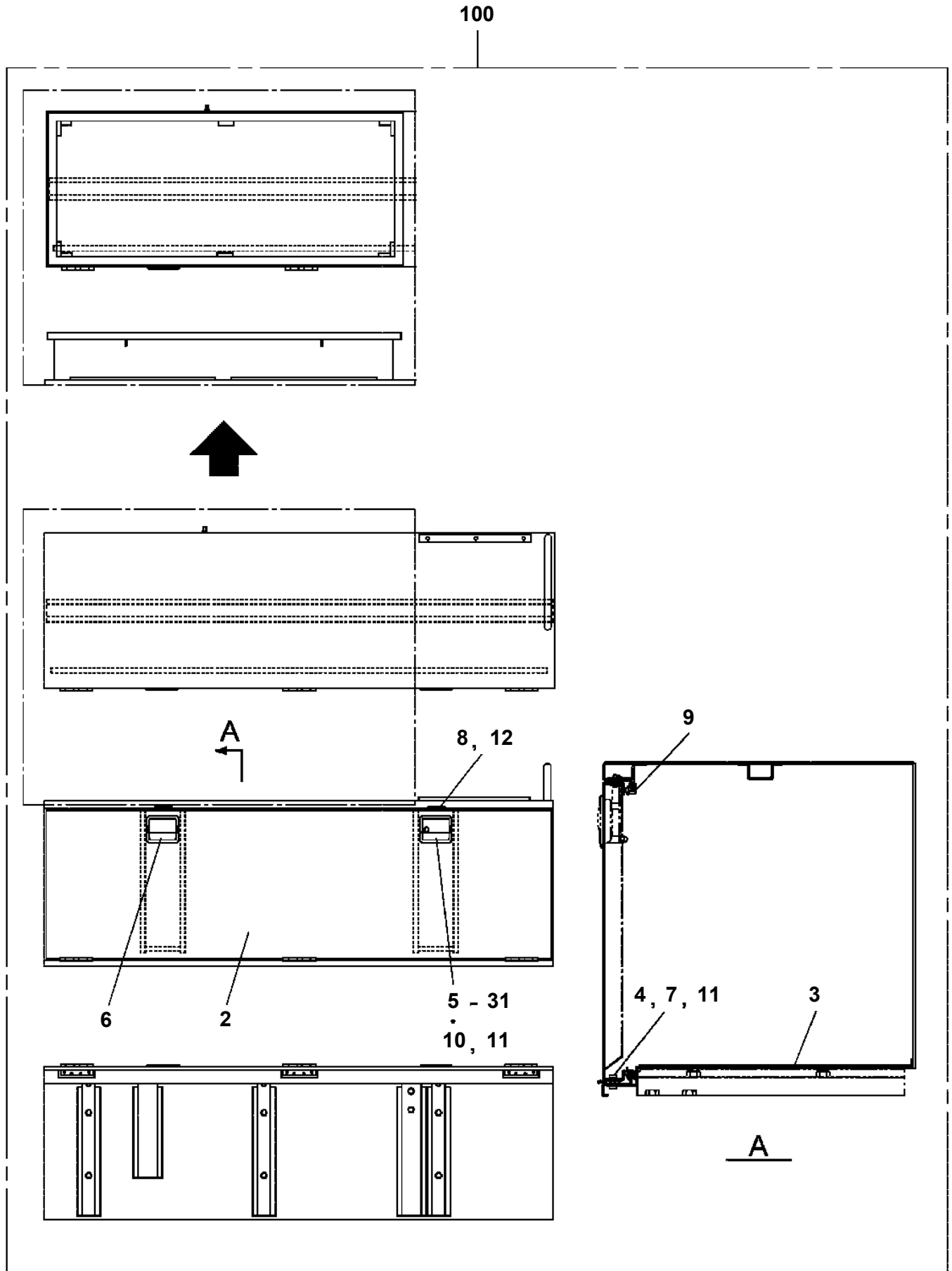
**C**

日野・トヨタ架装車  
 テールランプの場合



**A**

AT-110-4 42084430600 LOWER,HINO PB-XZU301X-TYTMS6  
PX1350792-03 BOX,TOOL

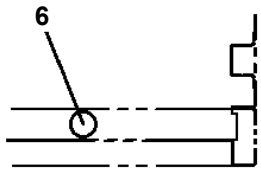
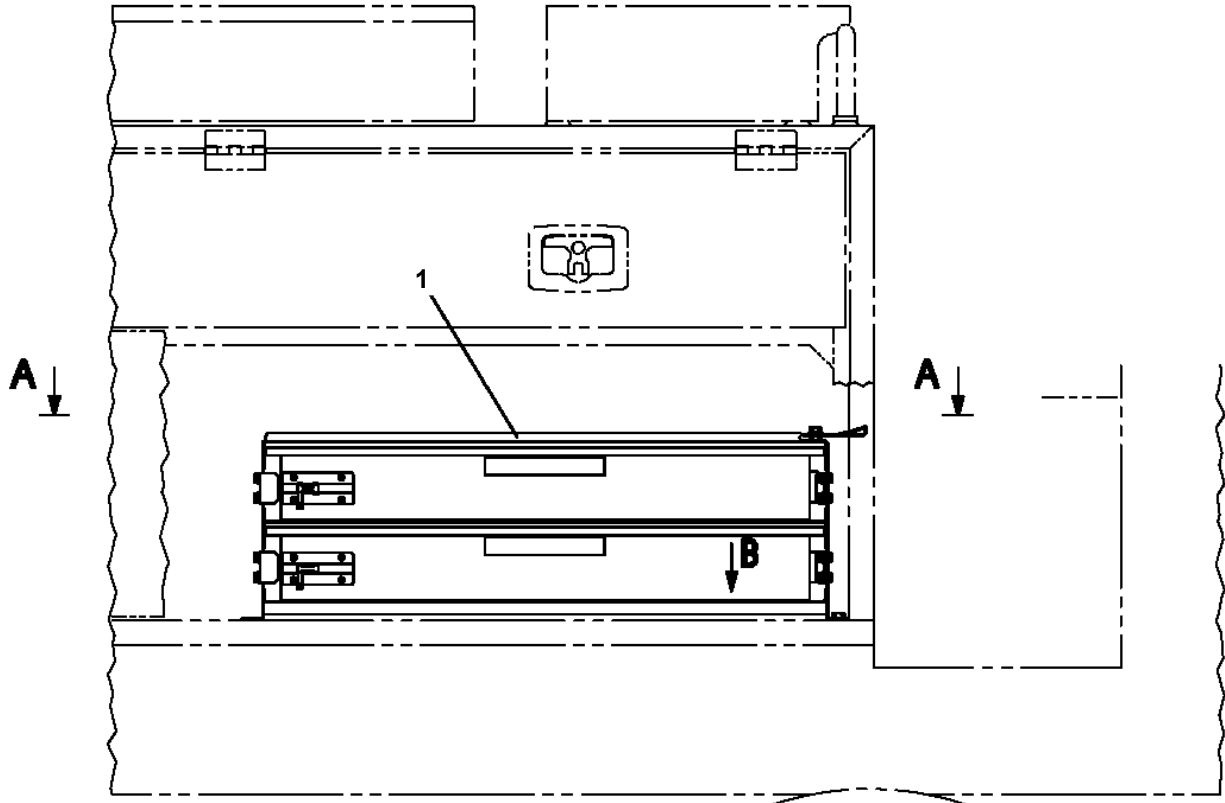


AT-110-4 42084430600 LOWER, HINO PB-XZU301X-TYTMS6  
PX1351047-00 BOX, TOOL (DRAWER/2007)



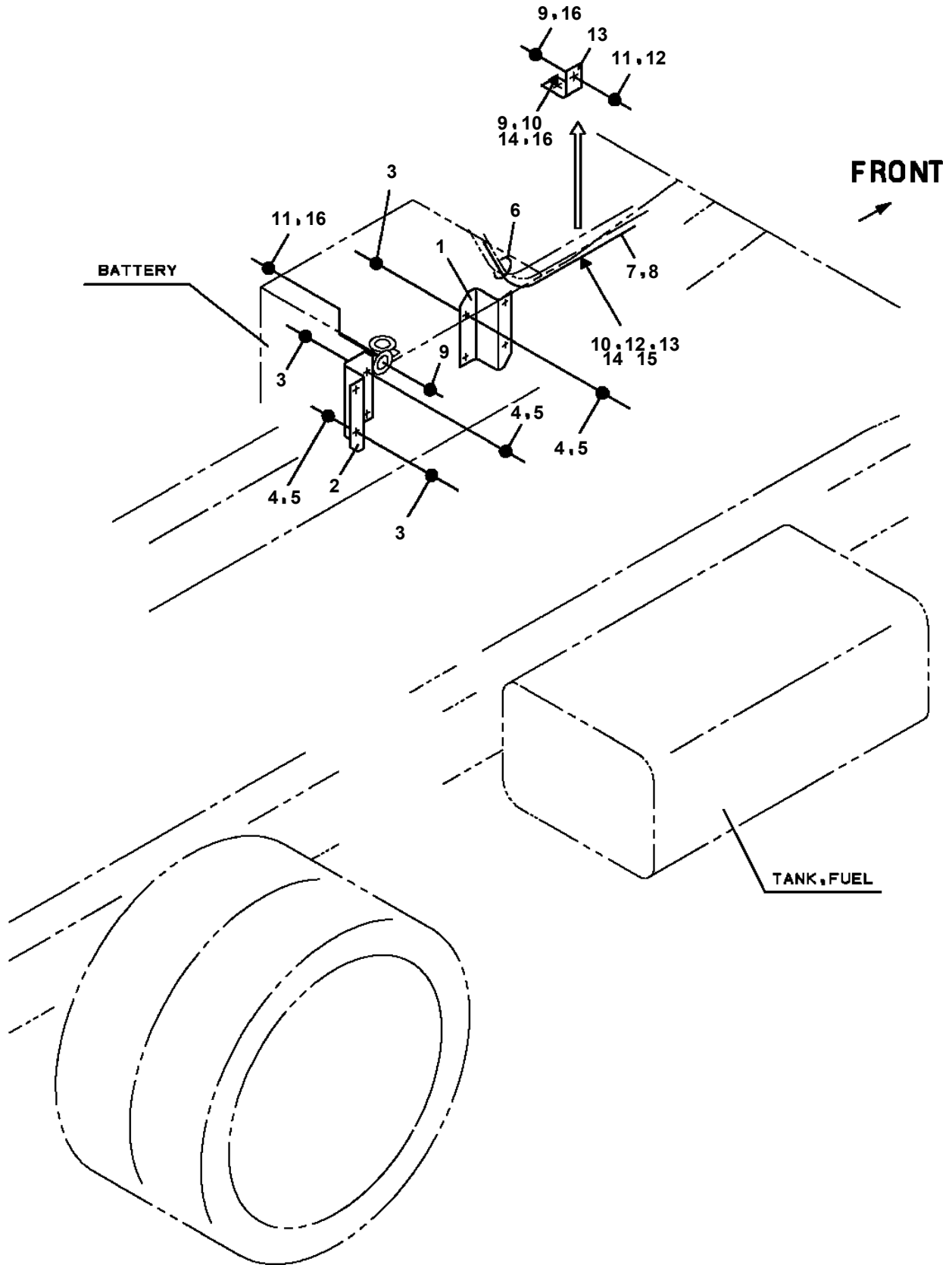
A-A

FRONT ←



B

AT-110-4 42084430600 LOWER, HINO PB-XZU301X-TYTMS6  
PX1390803-01 MODIFICATION PARTS



CLICK HERE TO **DOWNLOAD** THE COMPLETE MANUAL

- Thank you very much for reading the preview of the manual.
- You can download the complete manual from: [www.heydownloads.com](http://www.heydownloads.com) by clicking the link below



- Please note: If there is no response to CLICKING the link, please download this PDF first and then click on it.

CLICK HERE TO **DOWNLOAD** THE COMPLETE MANUAL