

**AT-110-1 42084130100 LOWER,HINO KK-XZU301X-TYMMS6**

PB3000031-00 POWER UNIT  
PO1000149-00 INDICATION PLATES  
PX2000289-01 CARRIER UNIT  
PX3000216-00 MOUNTING UNIT  
PY1000656-02 OPTIONS  
ASSEMBLY

CLICK HERE TO **DOWNLOAD** THE COMPLETE MANUAL

- Thank you very much for reading the preview of the manual.
- You can download the complete manual from: [www.heydownloads.com](http://www.heydownloads.com) by clicking the link below



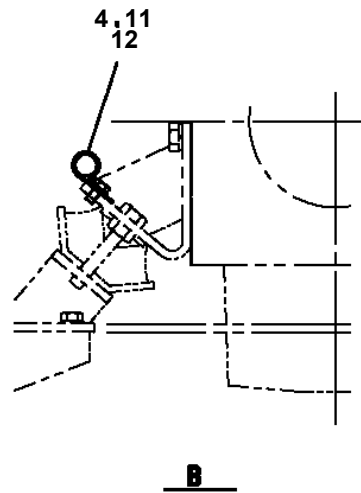
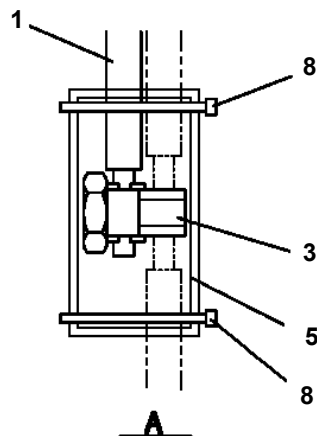
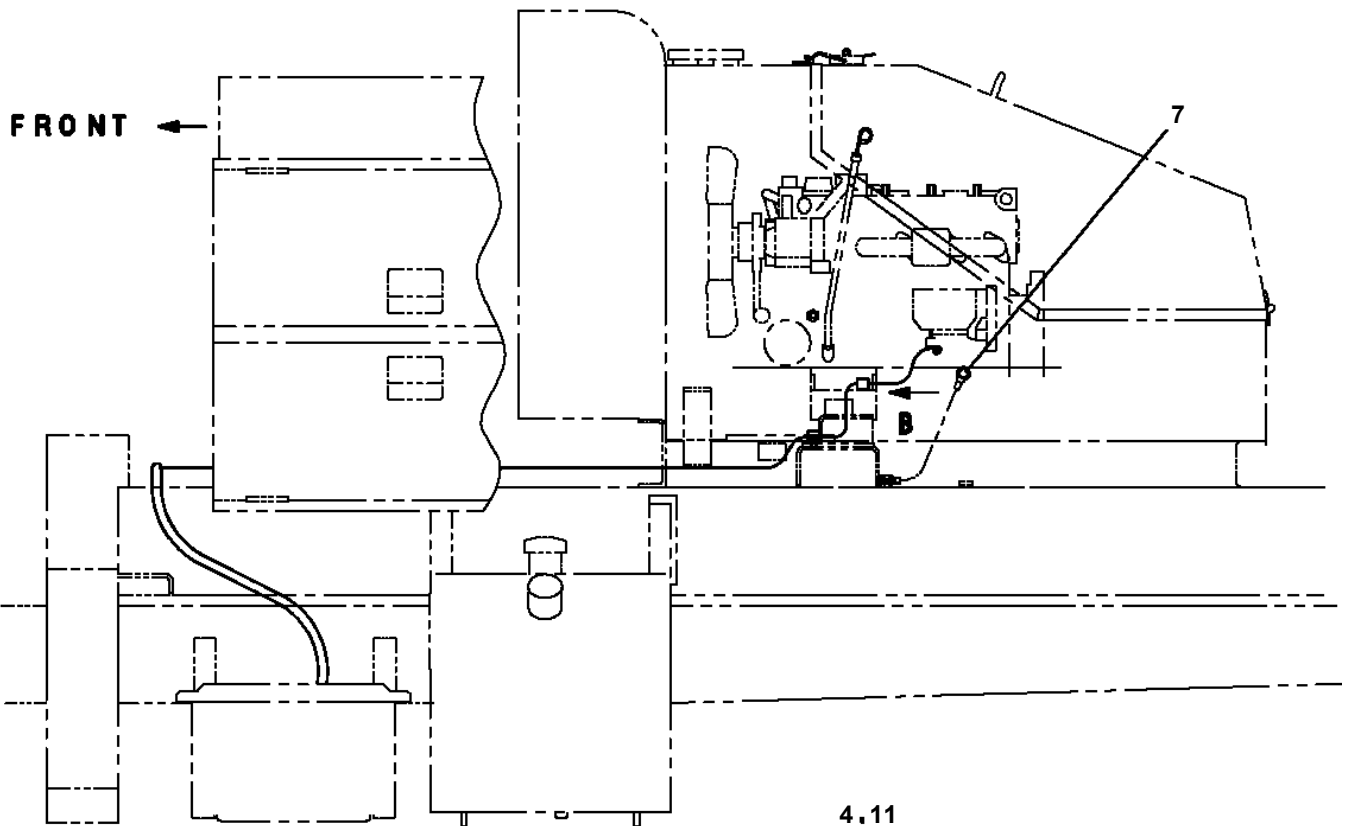
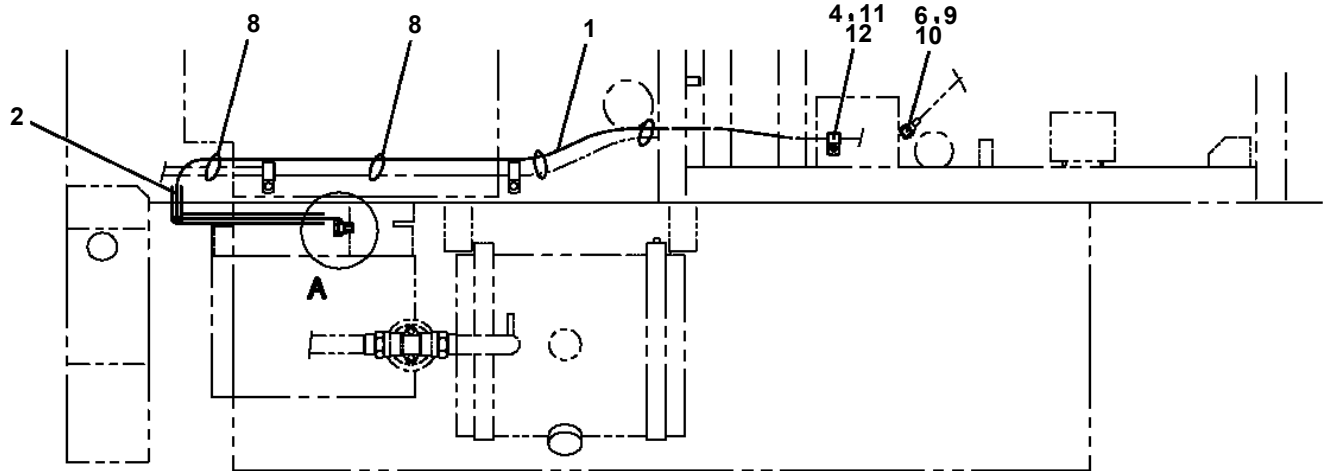
- Please note: If there is no response to CLICKING the link, please download this PDF first and then click on it.

CLICK HERE TO **DOWNLOAD** THE COMPLETE MANUAL

# AT-110-1 42084130100 LOWER,HINO KK-XZU301X-TYMMS6

Pos No.	Parts No	Parts Name	Qty	Unit	Technical Data	Serial No (Start)	Serial No (End)
1	(*****)	POWER SUPPLY (LOWER)	1				
2	(*****)	BOX,TOOL (OPTION)	1				
3	(*****)	MOUNT,SUPPORT	1				
4	(*****)	EARTHING DEVICE (8X10M,OPTION)	1				
	(*****)	EARTHING DEVICE (8X20M)	1				
6	(*****)	OPE.ASSY (LEVELING/WITH POWER SUPPLY)	1				
	(*****)	OPE.ASSY (LEVELING/WITHOUT POWER SUPPLY)	1				
8	(*****)	STEP	1			217780	
9	(*****)	VIEW SYSTEM (FOR ISUZU/ST-900)	1				

**AT-110-1 42084130100 LOWER, HINO KK-XZU301X-TYMMS6  
PB1370124-00 POWER SUPPLY (WIRING, POWER UNIT)**



# AT-110-1 42084130100 LOWER,HINO KK-XZU301X-TYMMS6

Pos No.	Parts No	Parts Name	Qty	Unit	Technical Data	Serial No (Start)	Serial No (End)	Remarks
2	90101208016	BOLT	2		M8X16			
3	90302040801	WASHER,SPRING	2		8			
5	90101210020	BOLT	2		M10X20			
6	90302041001	WASHER,SPRING	2		10			
9	37002412190	HOSE	1		L=400			
10	37002433330	HOSE	1		L=420			
11	37002449130	HOSE	1		L=500			
12	37002465910	HOSE	2		L=580			
13	82100001411	TUBE,SPIRAL	1	M	SE-08BK			
14	81408000160	PIPE,STEEL	1	M	12X1.4T			
15	81408000160	PIPE,STEEL	1	M	12X1.4T			
16	37000926220	FITTING,ELBOW	2					
17	42310825240	ORIFICE	2		0.8			
18	80320010080	FITTING	2		KUD12-030N			
19	80305010100	FITTING,TEE	2		KTA12-000N			
20	37000927890	JOINT	2					
21	81408000160	PIPE,STEEL	1	M	12X1.4T			
22	81408000160	PIPE,STEEL	1	M	12X1.4T			
23	81408000160	PIPE,STEEL	1	M	12X1.4T			
24	81408000160	PIPE,STEEL	1	M	12X1.4T			
25	42477733500	CLAMP ASSY	1					
41	36646270000	VALVE,SOLENOID	1					
42	80302090141	FITTING	2		KCO12-020N			
43	91002801100	O-RING	13		1B P11			
44	42344511100	FITTING,FLANGE	1					
51	90172110050	BOLT,HEXAGON SOCKET	4		M10X50			
52	36624630000	VALVE,CHECK	1					
53	42344093100	JOINT	1					
54	80312140020	VALVE,BREATHER	2					
55	91002801400	O-RING	2		1B P14			
56	37000921950	JOINT	2					
58	80430620400	JOINT	2					
59	80316070040	PLUG	2		PF1/4			
60	80400160127	JOINT	2					
61	37000925690	JOINT	1					
62	80303130141	FITTING,ELBOW	2		KLO12-020E			

# AT-110-1 42084130100 LOWER,HINO KK-XZU301X-TYMMS6

Pos No.	Parts No	Parts Name	Qty	Unit	Technical Data	Serial No (Start)	Serial No (End)	Remarks	Pages
1	42739961100	SUPPORT	1						
2	91810130240	FASTENER	3						
3	42739961200	COVER	1						

# AT-110-1 42084130100 LOWER,HINO KK-XZU301X-TYMMS6

Pos No.	Parts No	Parts Name	Qty	Unit	Technical Data	Serial No (Start)	Serial No (End)	Remarks	Pages
100	42479353300	HARNESS	1						

CLICK HERE TO **DOWNLOAD** THE COMPLETE MANUAL

- Thank you very much for reading the preview of the manual.
- You can download the complete manual from: [www.heydownloads.com](http://www.heydownloads.com) by clicking the link below

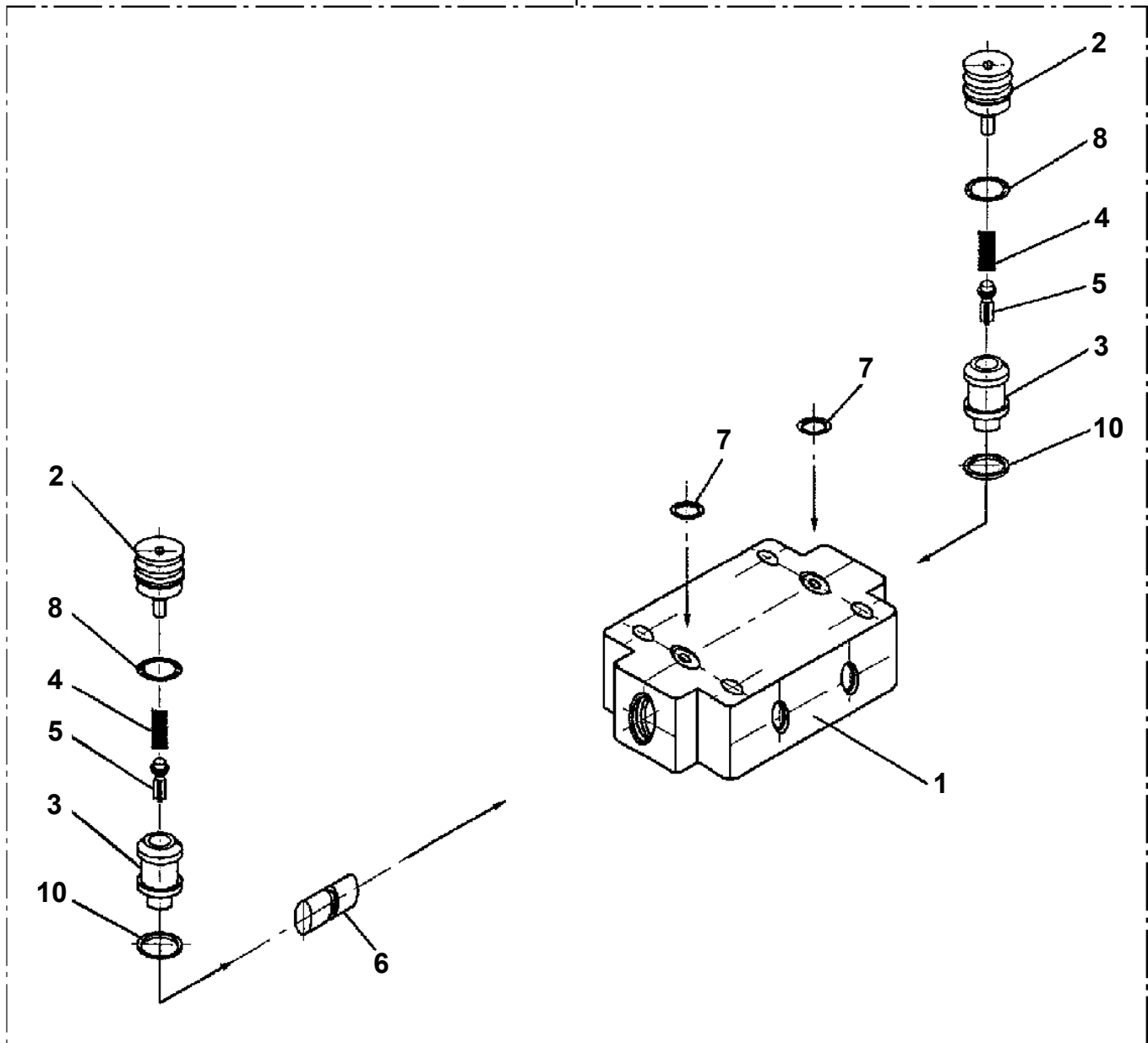


- Please note: If there is no response to CLICKING the link, please download this PDF first and then click on it.

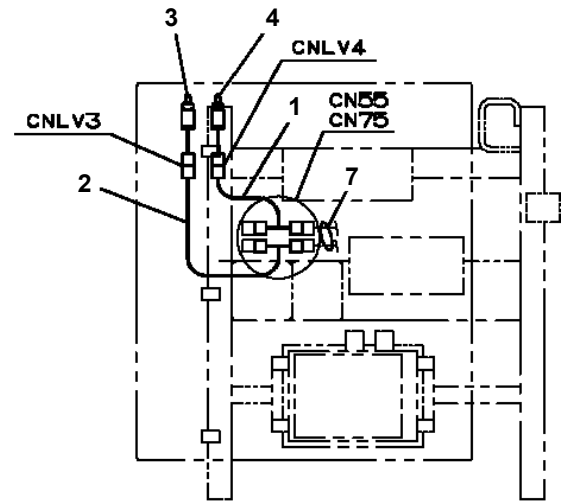
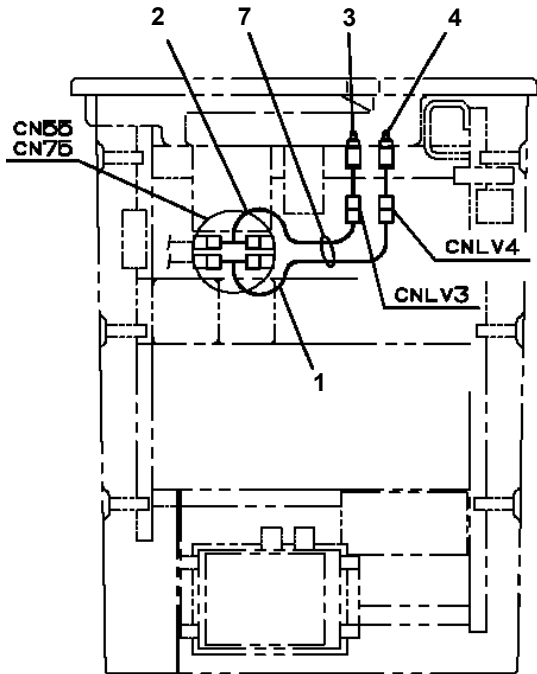
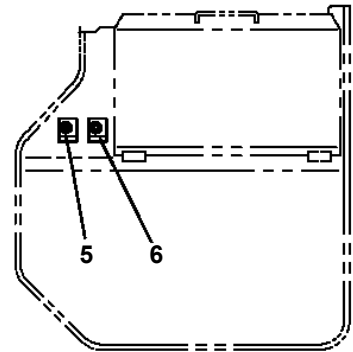
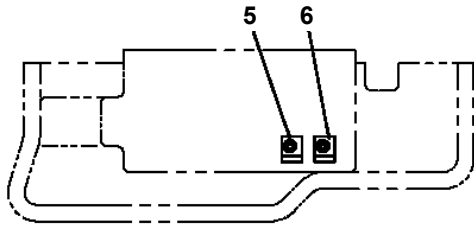
CLICK HERE TO **DOWNLOAD** THE COMPLETE MANUAL

AT-110-1 42084130100 LOWER,HINO KK-XZU301X-TYMMS6  
PI1140136-01 VALVE,CHECK

30

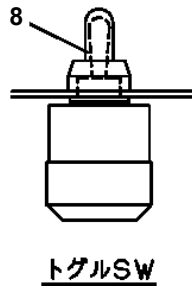


AT-110-1 42084130100 LOWER,HINO KK-XZU301X-TYMMS6  
 PN1012905-02 ELEC.ASSY (BUCKET/LEVELNG)



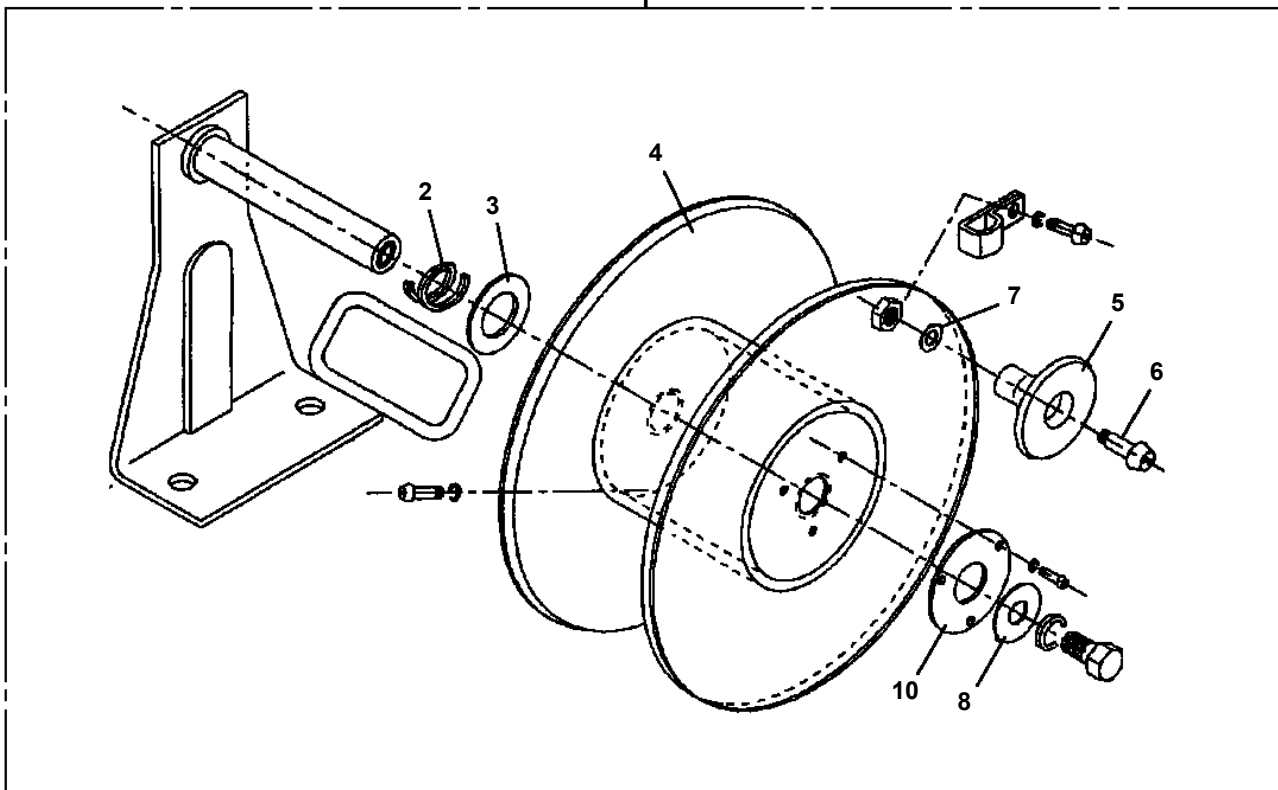
AT-110TE-1  
 AT-100TE-2

AT-100TG-2

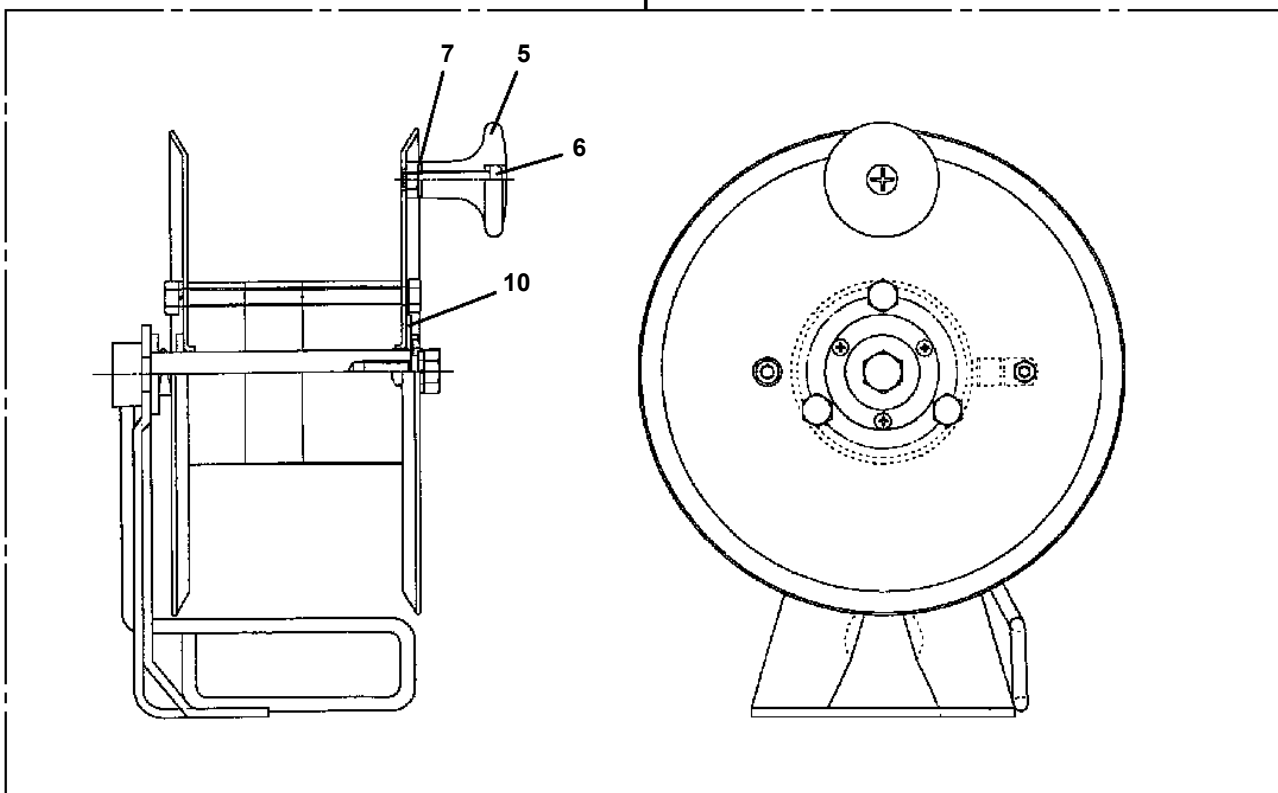


AT-110-1 42084130100 LOWER, HINO KK-XZU301X-TYMMS6  
PN1350029-01 REEL, CORD (FOR EARTHING)

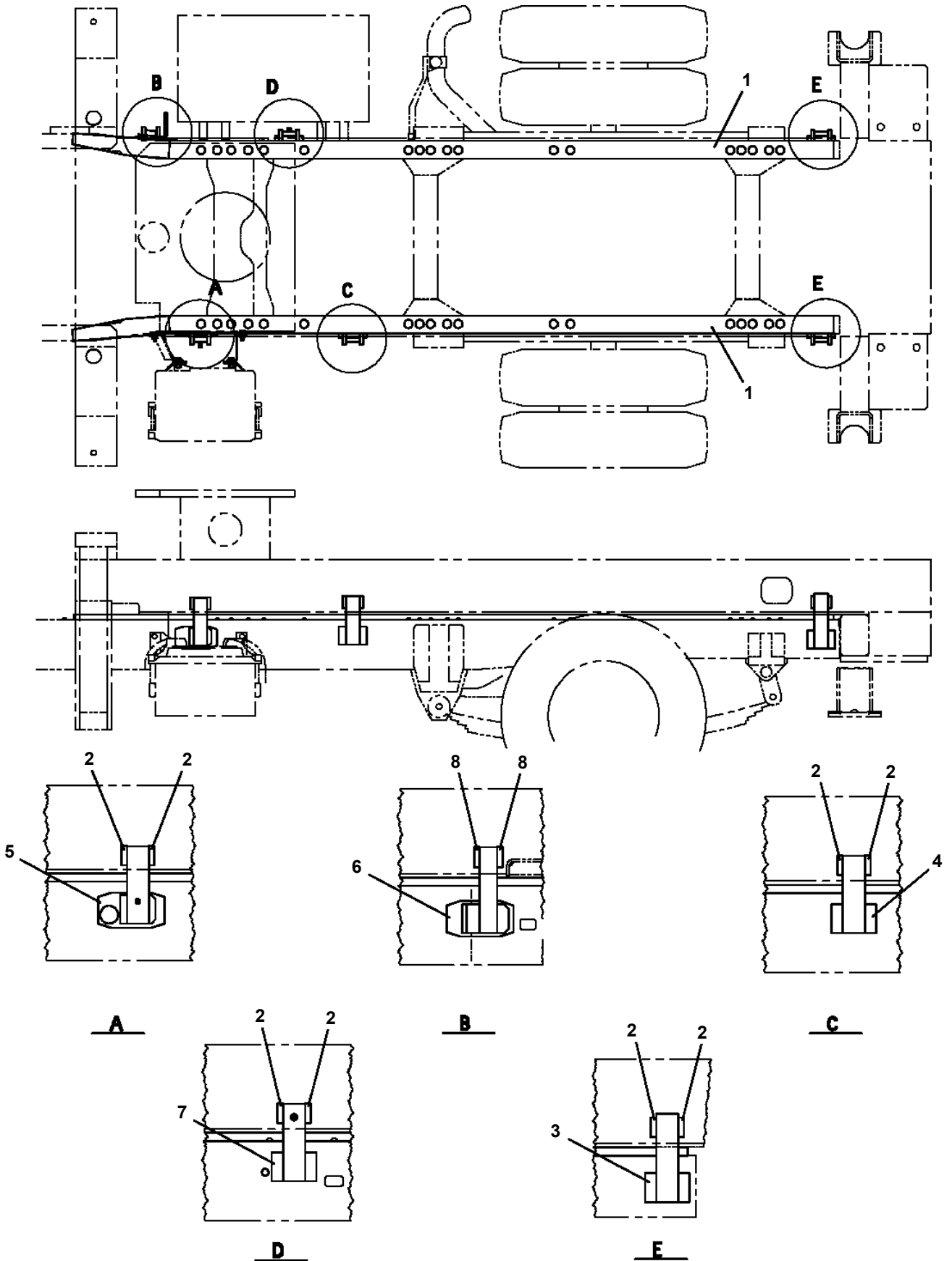
50



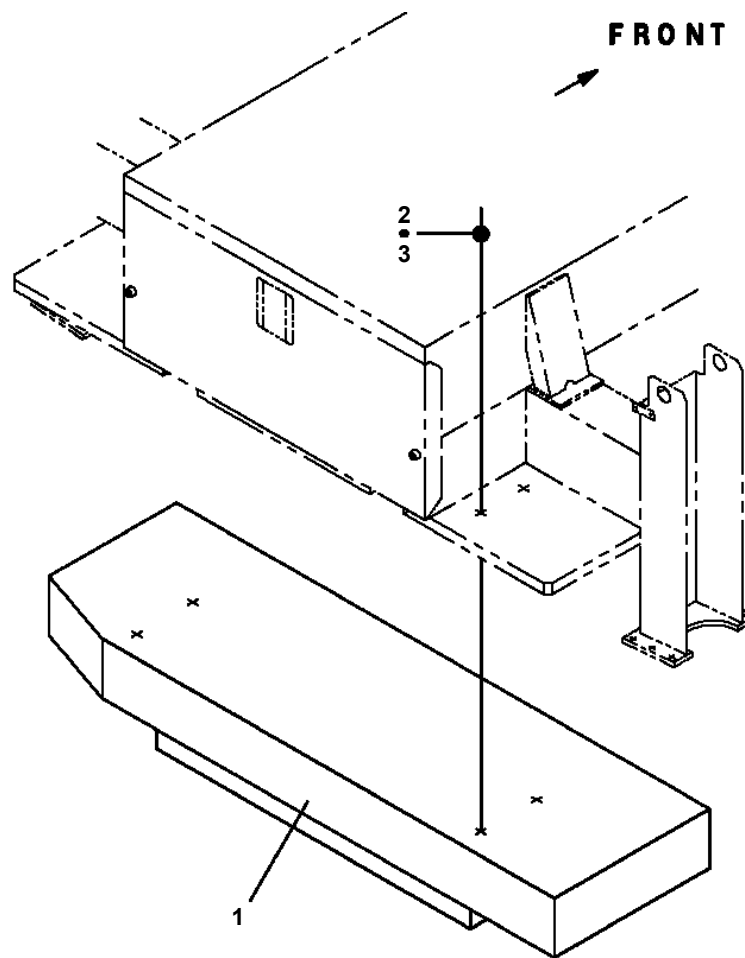
50



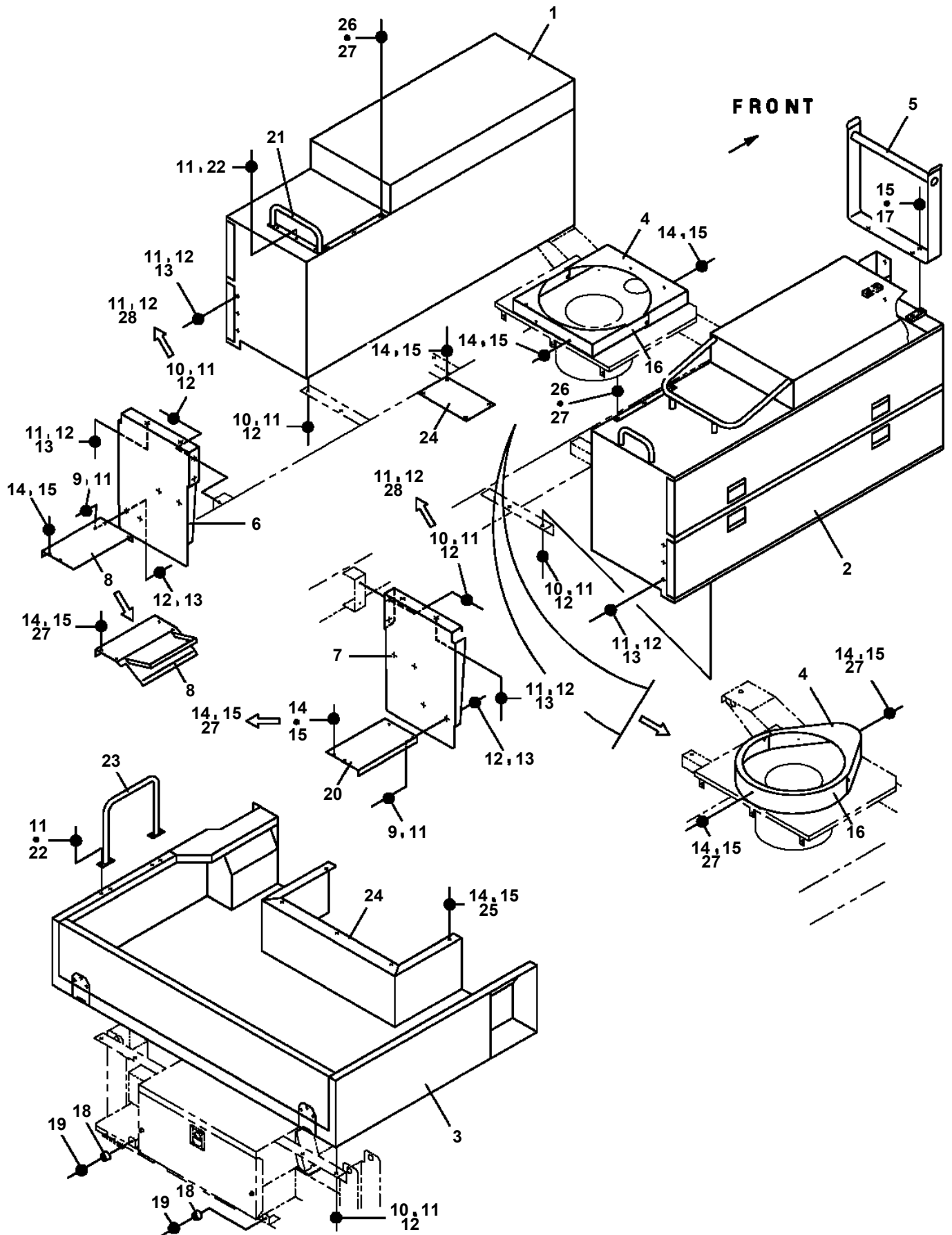
**AT-110-1 42084130100 LOWER, HINO KK-XZU301X-TYMMS6  
PX1170396-00 ATTACHMENT PARTS, CRANE FRAME**



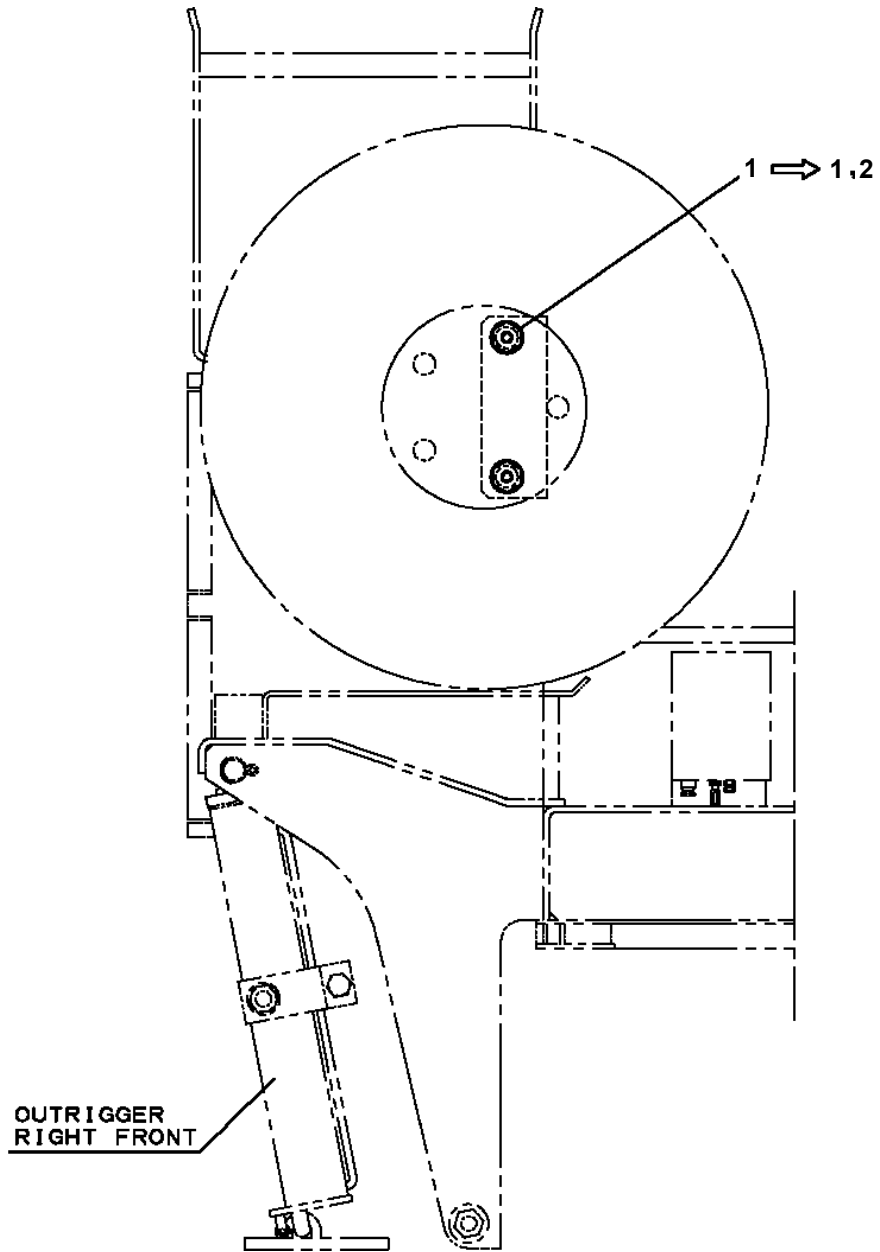
**AT-110-1 42084130100 LOWER,HINO KK-XZU301X-TYMMS6  
PX1290339-00 WEIGHT INSTALLATION**



AT-110-1 42084130100 LOWER,HINO KK-XZU301X-TYMMS6  
PX1350444-00 BOX,TOOL



**AT-110-1 42084130100 LOWER,HINO KK-XZU301X-TYMMS6  
PX1410173-02 MOUNT,TIRE**



CLICK HERE TO **DOWNLOAD** THE COMPLETE MANUAL

- Thank you very much for reading the preview of the manual.
- You can download the complete manual from: [www.heydownloads.com](http://www.heydownloads.com) by clicking the link below



- Please note: If there is no response to CLICKING the link, please download this PDF first and then click on it.

CLICK HERE TO **DOWNLOAD** THE COMPLETE MANUAL