

AT-110-4 42084442400 LOWER,ISUZU BKG-NKR85AN-EE5AHY-JM

PB3000172-00 POWER UNIT
PO1000149-00 INDICATION PLATES
PX2001443-00 CARRIER UNIT
PX3000786-00 MOUNTING UNIT
PY1001069-01 OPTIONS
ASSEMBLY

CLICK HERE TO **DOWNLOAD** THE COMPLETE MANUAL

- Thank you very much for reading the preview of the manual.
- You can download the complete manual from: www.heydownloads.com by clicking the link below



- Please note: If there is no response to CLICKING the link, please download this PDF first and then click on it.

CLICK HERE TO **DOWNLOAD** THE COMPLETE MANUAL

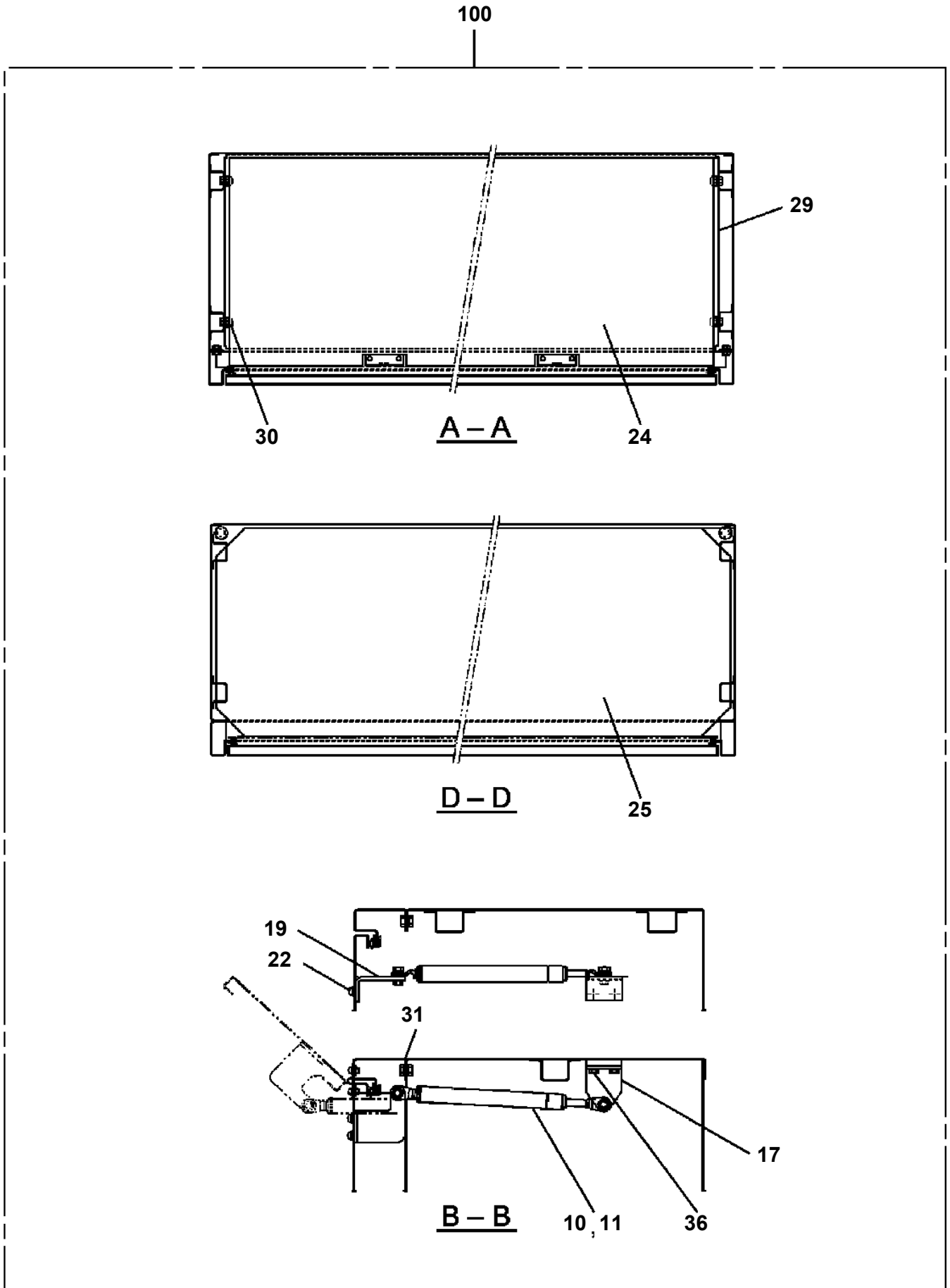
AT-110-4 42084442400 LOWER,ISUZU BKG-NKR85AN-EE5AHY-JM

| Pos No. | Parts No | Parts Name | Qty | Unit | Technical Data | Serial No (S |
|---------|----------|---|-----|------|----------------|--------------|
| 3 | (*****) | VIEW SYSTEM (FOR HINO,TOYOTA) | 1 | | | |
| | (*****) | VIEW SYSTEM (FOR ISUZU,NISSAN,MAZDA) | 1 | | | |
| | (*****) | VIEW SYSTEM (FOR MITSUBISHI) | 1 | | | |
| 5 | (*****) | SUPPORT (FIXED RADDER REST) | 1 | | | |
| | (*****) | SUPPORT (SWIVEL LADDER REST,2-DECKER/2007) | 1 | | | |
| | (*****) | SUPPORT (FIXED LADDER REST,2-DECKER/2007) | 1 | | | |
| | (*****) | SUPPORT (FIXED LADDER REST,1-DECKER/2007) | 1 | | | |
| 6 | (*****) | SUPPORT (1-DECK & FOR SHELF SLIDE BOX/2007,2010) | 1 | | | |
| 7 | (*****) | BOX,TOOL (DRAWER FOR LEFT SLIDE TOOL BOX:2007,2010) | 1 | | | |
| | (*****) | BOX,TOOL (DRAWER FOR LEFT TOOL BOX:2007,2010) | 1 | | | |

AT-110-4 42084442400 LOWER,ISUZU BKG-NKR85AN-EE5AHY-JM

| Pos No. | Parts No | Parts Name | Qty | Unit | Technical Data | Serial No (Start) | Serial No (End) | Remarks | Page |
|---------|-------------|-------------------|-----|------|----------------|-------------------|-----------------|---------|-------|
| 1 | 90303071001 | WASHER,PLAIN | 2 | | 10 | | | | |
| 2 | 90302041001 | WASHER,SPRING | 2 | | 10 | | | | |
| 3 | 90174110035 | BOLT | 2 | | M10X35 | | | | |
| 4 | 36652840000 | PUMP,OIL (32CC:L) | 1 | | | | | | 00007 |

AT-110-4 42084442400 LOWER,ISUZU BKG-NKR85AN-EE5AHY-JM
PB5410003-00 BOX,TOOL



AT-110-4 42084442400 LOWER,ISUZU BKG-NKR85AN-EE5AHY-JM

| Pos No. | Parts No | Parts Name | Qty | Unit | Technical Data | Serial No (Start) | Serial No (End) | Re |
|---------|-------------|----------------------------|-----|------|----------------|-------------------|-----------------|----|
| 2 | 42838487510 | DOOR | 1 | | | | | |
| 3 | 42838487520 | DOOR | 1 | | | | | |
| 4 | 42835717530 | STOPPER | 4 | | | | | |
| 5 | 42835487650 | HINGE | 6 | | | | | |
| 6 | 42835867870 | CATCH | 2 | | | | | |
| 7 | 42836317950 | WEATHER STRIP | 4 | M | | | | |
| 8 | 42836317950 | WEATHER STRIP | 4 | M | | | | |
| 9 | 82400000393 | INSULATOR | 2 | | | | | |
| 10 | 82464046113 | GAS SPRING | 1 | | | | | |
| 11 | 42835717800 | PIN | 2 | | | | | |
| 12 | 42835717560 | SUPPORT | 1 | | | | | |
| 13 | 42834917570 | SCREW,MACHINE (SEMS) | 12 | | M5X14 | | | |
| 14 | 42835717580 | SCREW,MACHINE (WITH W,NUT) | 2 | | M4X16 | | | |
| 15 | 42833077610 | BUSH | 17 | | | | | |
| 16 | 80175805012 | SCREW,MACHINE | 18 | | M5X12 | | | |
| 17 | 42835717600 | SUPPORT | 1 | | | | | |
| 18 | 42838127510 | BOLT (WITH SW,NUT) | 4 | | M6X16 | | | |
| 19 | 42835717610 | SUPPORT | 1 | | | | | |
| 20 | 42835717720 | GUIDE | 1 | | | | | |
| 21 | 42838487530 | BOX,TOOL (PACKING ASSY) | 1 | | | | | |
| 22 | 42835587520 | SCREW,MACHINE (WITH SW) | 2 | | M6X14 | | | |
| 23 | 42835797580 | PLUG (HOLE) | 14 | | | | | |
| 24 | 42835717650 | SEAT | 1 | | | | | |
| 25 | 42835717660 | SEAT | 1 | | | | | |
| 27 | 99164408016 | BOLT (M8X16,WITH WASHER) | 17 | | | | | |
| 28 | 42835717680 | SUPPORT | 1 | | | | | |
| 29 | 42835717690 | BOLT (WITH W) | 4 | | M8X12 | | | |
| 30 | 42835717700 | SEAL ASSY | 1 | | | | | |
| 31 | 42838347510 | PLATE | 6 | | | | | |
| 32 | 99163006014 | BOLT,SEMS (M6X14) | 2 | | | | | |
| 33 | 42838117510 | CATCH | 2 | | | | | |
| 34 | 42836317930 | PLATE | 6 | | | | | |
| 35 | 42838487540 | PLATE | 6 | | | | | |
| 36 | 37000512320 | PLATE | 2 | | | | | |
| 100 | 42838343000 | BOX,TOOL | 1 | | | | | |

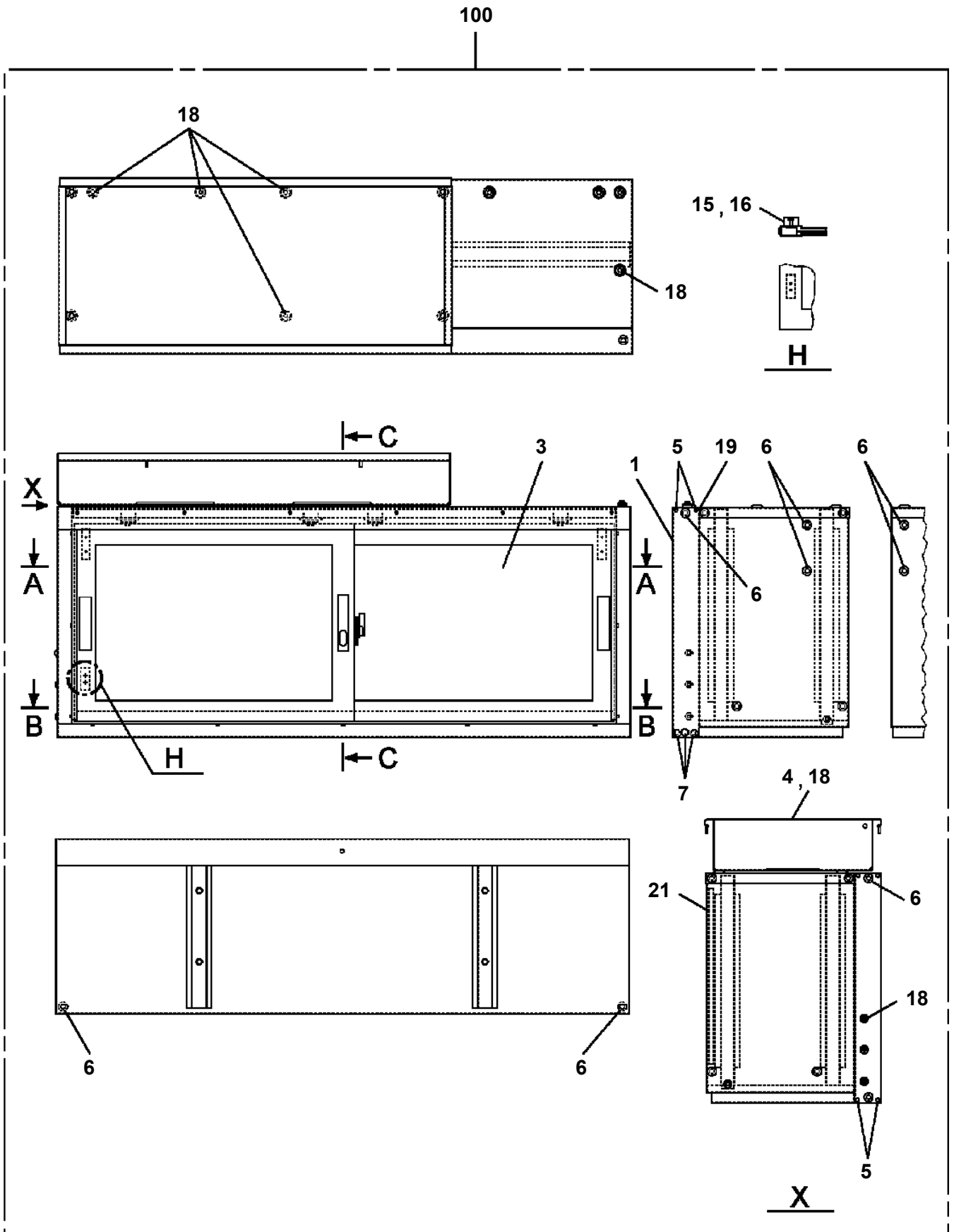
AT-110-4 42084442400 LOWER,ISUZU BKG-NKR85AN-EE5AHY-JM

| Pos No. | Parts No | Parts Name | Qty | Unit | Technical Data | Serial No (Start) | Serial No (End) | Re |
|---------|-------------|----------------------------|-----|------|----------------|-------------------|-----------------|----|
| 1 | 42838367570 | BOX,TOOL (DOOR FRAME ASSY) | 1 | | | | | |
| 3 | 42836077510 | DOOR ASSY | 1 | | | | 219903 | |
| | 42836077511 | DOOR ASSY | 1 | | | 219904 | | |
| 4 | 42835717720 | GUIDE | 1 | | | | | |
| 5 | 42835797580 | PLUG (HOLE) | 6 | | | | | |
| 6 | 42833077610 | BUSH | 17 | | | | | |
| 7 | 42835717740 | PLATE | 3 | | | | | |
| 8 | 42836077530 | SEAT | 1 | | | | | |
| 9 | 42836077580 | SEAT | 1 | | | | | |
| 10 | 42836077590 | SUPPORT | 1 | | | | | |
| 11 | 42836077600 | SUPPORT | 4 | | | | | |
| 12 | 42835867650 | NUT (SPEED NUT) | 2 | | M6 | | | |
| 13 | 42835567670 | SCREW,MACHINE (WITH W,SW) | 2 | | M6X12 | | | |
| 14 | 99164408016 | BOLT (M8X16,WITH WASHER) | 14 | | | | | |
| 15 | 42836077540 | STOPPER | 1 | | | | | |
| 16 | 42835467840 | SCREW,MACHINE (WITH W,SW) | 2 | | M5X22 | | | |
| 18 | 42838487530 | BOX,TOOL (PACKING ASSY) | 1 | | | | | |
| 19 | 42835717700 | SEAL ASSY | 1 | | | | | |
| 20 | 42836077620 | NUT | 8 | | | | | |
| 21 | 42836077640 | COVER (HARNESS) | 1 | M | | | | |
| 100 | 42838363000 | BOX,TOOL | 1 | | | | | |

AT-110-4 42084442400 LOWER,ISUZU BKG-NKR85AN-EE5AHY-JM

| Pos No. | Parts No | Parts Name | Qty | Unit | Technical Data | Serial No (Start) | Serial No (End) | Remarks |
|---------|-------------|-------------------------|-----|------|----------------|-------------------|-----------------|---------|
| 1 | 42838487570 | PACKING | 4 | | | | | |
| | 42838487570 | PACKING | 4 | | | | | |
| 2 | 42837367520 | PACKING | 9 | | | | | |
| | 42837367520 | PACKING | 9 | | | | | |
| 3 | 42838487580 | BOLT,BUTTON | 4 | | | | | |
| | 42838487580 | BOLT,BUTTON | 4 | | | | | |
| 4 | 42838487590 | WASHER | 4 | | | | | |
| | 42838487590 | WASHER | 4 | | | | | |
| 5 | 42838487610 | BOLT | 4 | | | | | |
| | 42838487610 | BOLT | 4 | | | | | |
| 6 | 42838487600 | WASHER | 5 | | | | | |
| | 42838487600 | WASHER | 5 | | | | | |
| 7 | 42838487630 | BOLT | 1 | | | | | |
| | 42838487630 | BOLT | 1 | | | | | |
| 8 | 42838487620 | PLATE | 1 | | | | | |
| | 42838487620 | PLATE | 1 | | | | | |
| 100 | 42838487530 | BOX,TOOL (PACKING ASSY) | 1 | | | | | |
| | 42838487530 | BOX,TOOL (PACKING ASSY) | 1 | | | | | |

AT-110-4 42084442400 LOWER,ISUZU BKG-NKR85AN-EE5AHY-JM
PB5410060-00 BOX,TOOL



AT-110-4 42084442400 LOWER,ISUZU BKG-NKR85AN-EE5AHY-JM

| Pos No. | Parts No | Parts Name | Qty | Unit | Technical Data | Serial No (Start) | Serial No (End) | Re |
|---------|-------------|----------------------------|-----|------|----------------|-------------------|-----------------|----|
| 1 | 42838367520 | BOX,TOOL (DOOR FRAME ASSY) | 1 | | | | | |
| 3 | 42836077560 | DOOR ASSY | 1 | | | | | |
| 4 | 42838487550 | GUIDE | 1 | | | | | |
| 6 | 42835797580 | PLUG (HOLE) | 8 | | | | | |
| 7 | 42833077610 | BUSH | 14 | | | | | |
| 8 | 42836077570 | BOLT (WITH W,SW) | 4 | | M10X20 | | | |
| 9 | 42836077530 | SEAT | 1 | | | | | |
| 10 | 42836077580 | SEAT | 1 | | | | | |
| 11 | 42836077590 | SUPPORT | 1 | | | | | |
| 12 | 42836077600 | SUPPORT | 4 | | | | | |
| 13 | 42835867650 | NUT (SPEED NUT) | 2 | | M6 | | | |
| 14 | 42835567670 | SCREW,MACHINE (WITH W,SW) | 2 | | M6X12 | | | |
| 15 | 99164408016 | BOLT (M8X16,WITH WASHER) | 14 | | | | | |
| 16 | 42835717670 | SUPPORT | 1 | | | | | |
| 18 | 42836077540 | STOPPER | 1 | | | | | |
| 19 | 42835467840 | SCREW,MACHINE (WITH W,SW) | 2 | | M5X22 | | | |
| 21 | 42835717760 | PLATE | 2 | | | | | |
| 22 | 42838347520 | PACKING ASSY | 1 | | | | | |
| 23 | 42835717700 | SEAL ASSY | 1 | | | | | |
| 24 | 42836077620 | NUT | 8 | | | | | |
| 25 | 42836077640 | COVER (HARNESS) | 1 | M | | | | |
| 26 | 42835797550 | SEAL | 1 | | | | | |
| 100 | 42838361001 | BOX,TOOL | 1 | | | | | |

AT-110-4 42084442400 LOWER,ISUZU BKG-NKR85AN-EE5AHY-JM

| Pos No. | Parts No | Parts Name | Qty | Unit | Technical Data | Serial No (Start) | Serial No (End) | Remarks | Pages |
|---------|-------------|----------------|-----|------|----------------|-------------------|-----------------|---------|--------|
| 1 | 42501151200 | CASE,OUTER | 1 | | | | | | |
| 2 | 42501151400 | CASE,INNER | 1 | | | | | | |
| 3 | 36035810000 | CYLINDER,JACK | 1 | | | | | | 000041 |
| 4 | 37000165180 | PIN | 1 | | | | | | |
| 5 | 80601110250 | RING,RITAINING | 2 | | S25 | | | | |
| 7 | 37000169010 | PIN | 1 | | 30 | | | | |
| 8 | 80601110300 | RING,RITAINING | 2 | | S30 | | | | |
| 9 | 42613791600 | COVER | 1 | | | | | | |
| 10 | 90186206014 | BOLT,FLANGE | 2 | | M6X14 | | | | |
| 11 | 36625740001 | VALVE,CHECK | 1 | | | | | | 000068 |
| 12 | 90171108055 | BOLT | 4 | | M8X55 | | | | |
| 13 | 42611870030 | COVER | 1 | | | | | | |
| 14 | 90101208012 | BOLT | 4 | | M8X12 | | | | |
| 15 | 90302040801 | WASHER,SPRING | 4 | | 8 | | | | |
| 16 | 90171108016 | BOLT | 2 | | M8X16 | | | | |
| 17 | 31611640150 | SPRING | 1 | | | | | | |
| 18 | 37000504780 | PLATE | N | | T=0.6 | | | | |
| 41 | 82100002002 | CLAMP | 1 | | WR6 | | | | |
| 42 | 90101206018 | BOLT | 1 | | M6X18 | | | | |
| 43 | 90302040601 | WASHER,SPRING | 1 | | 6 | | | | |
| 44 | 90101208022 | BOLT | 2 | | M8X22 | | | | |
| 45 | 42613794100 | PLATE | 1 | | | | | | |
| 46 | 42613794010 | BOLT | 1 | | M6X20 | | | | |
| 47 | 90201200600 | NUT | 1 | | M6 | | | | |
| 48 | 82104502010 | SWITCH,LIMIT | 1 | | | | | | |
| 49 | 90101204025 | BOLT | 2 | | M4X25 | | | | |
| 50 | 90302040401 | WASHER,SPRING | 2 | | 4 | | | | |
| 51 | 42611483300 | PLATE | 1 | | T=3 | | | | |
| 52 | 42501152100 | COVER | 1 | | | | | | |
| 53 | 91810130240 | FASTENER | N | | | | | | |
| 54 | 90302040801 | WASHER,SPRING | 4 | | 8 | | | | |
| 55 | 90101208010 | BOLT | 2 | | M8X10 | | | | |
| 56 | 90201200800 | NUT | 1 | | M8 | | | | |
| 100 | 42501151101 | OUTRIGGER | 1 | | | | | | |

AT-110-4 42084442400 LOWER,ISUZU BKG-NKR85AN-EE5AHY-JM

| Pos No. | Parts No | Parts Name | Qty | Unit | Technical Data | Serial No (Start) | Serial No (End) | Remarks | Pages |
|---------|-------------|---------------|-----|------|----------------|-------------------|-----------------|---------|-------|
| 1 | 42971100100 | SUPPORT | 1 | | | | | | |
| 2 | 42971100200 | SUPPORT | 1 | | | | | | |
| 3 | 90101210025 | BOLT | 2 | | M10X25 | | | | |
| 4 | 90302041001 | WASHER,SPRING | 2 | | 10 | | | | |
| 5 | 90201201000 | NUT | 2 | | M10 | | | | |
| 6 | 90303071001 | WASHER,PLAIN | 2 | | 10 | | | | |

AT-110-4 42084442400 LOWER,ISUZU BKG-NKR85AN-EE5AHY-JM

| Pos No. | Parts No | Parts Name | Qty | Unit | Technical Data | Serial No (Start) | Serial No (End) | Remarks | Pages |
|---------|-------------|-------------|-----|------|----------------|-------------------|-----------------|---------|--------|
| 1 | 42739991100 | VIEW SYSTEM | 1 | | | | | | 000050 |
| 2 | 91810130240 | FASTENER | 10 | | | | HK1600 | | |
| | 91810130240 | FASTENER | 15 | | | HK1601 | | | |
| 4 | 82100001242 | TERMINAL | 1 | | | HK1226 | | | |
| 5 | 82100001221 | INSULATOR | 1 | | | HK1226 | | | |
| 6 | 82115001002 | CONNECTOR | 2 | | | HK1226 | | | |

CLICK HERE TO **DOWNLOAD** THE COMPLETE MANUAL

- Thank you very much for reading the preview of the manual.
- You can download the complete manual from: www.heydownloads.com by clicking the link below



- Please note: If there is no response to CLICKING the link, please download this PDF first and then click on it.

CLICK HERE TO **DOWNLOAD** THE COMPLETE MANUAL

AT-110-4 42084442400 LOWER,ISUZU BKG-NKR85AN-EE5AHY-JM

| Pos No. | Parts No | Parts Name | Qty | Unit | Technical Data | Serial No (Start) | Serial No (End) | Remarks | |
|---------|------------------|-----------------------|-----|------|----------------|-------------------|-----------------|---------|---|
| 1 | (***** *****) | VIEW SYSTEM (MONITOR) | 1 | | | | | | 0 |
| 2 | (***** *****) | VIEW SYSTEM (CAMERA) | 1 | | | | | | 0 |

AT-110-4 42084442400 LOWER,ISUZU BKG-NKR85AN-EE5AHY-JM

| Pos No. | Parts No | Parts Name | Qty | Unit | Technical Data | Serial No (Start) | Serial No (End) | Remarks |
|---------|-------------|---------------------|-----|------|----------------|-------------------|-----------------|---------|
| 2 | 42739697510 | CABLE ASSY | 1 | | | | | |
| 3 | 42739697540 | CABLE ASSY | 1 | | | | | |
| 4 | 42739697520 | CLIP | 1 | | | | | |
| 5 | 42739697530 | REMOTE CONTROL ASSY | 1 | | | | | |
| 100 | 42739693110 | DISPLAY | 1 | | | | | |

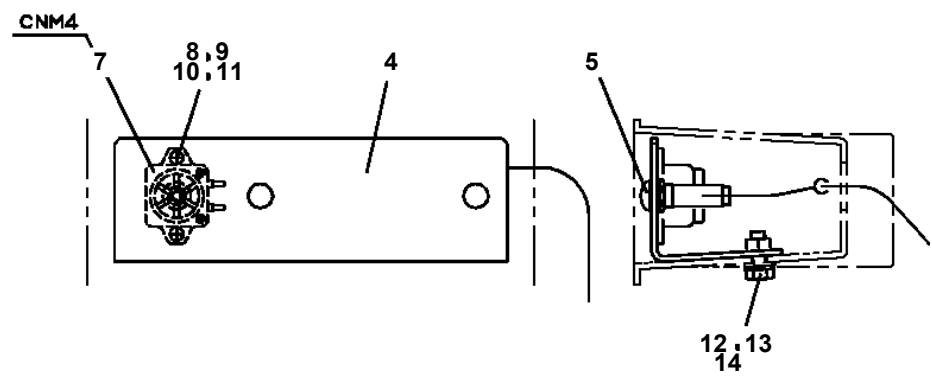
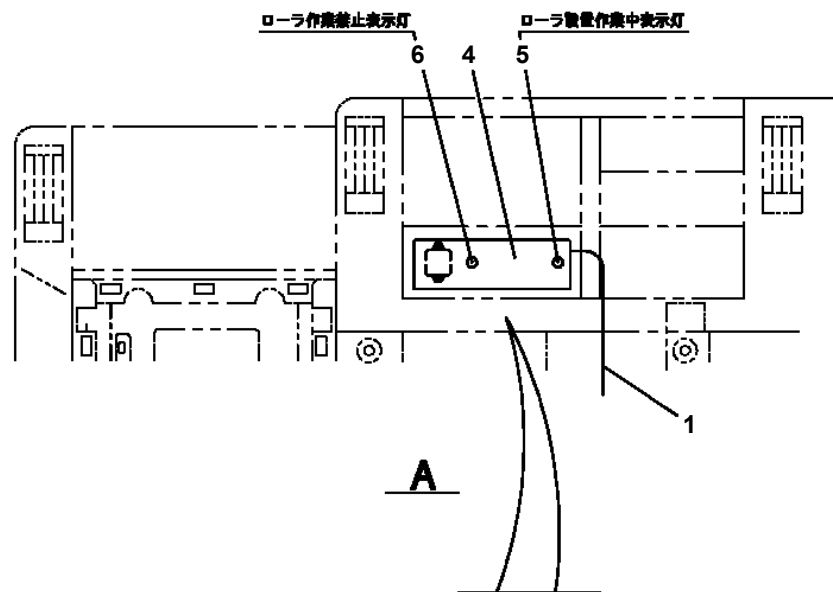
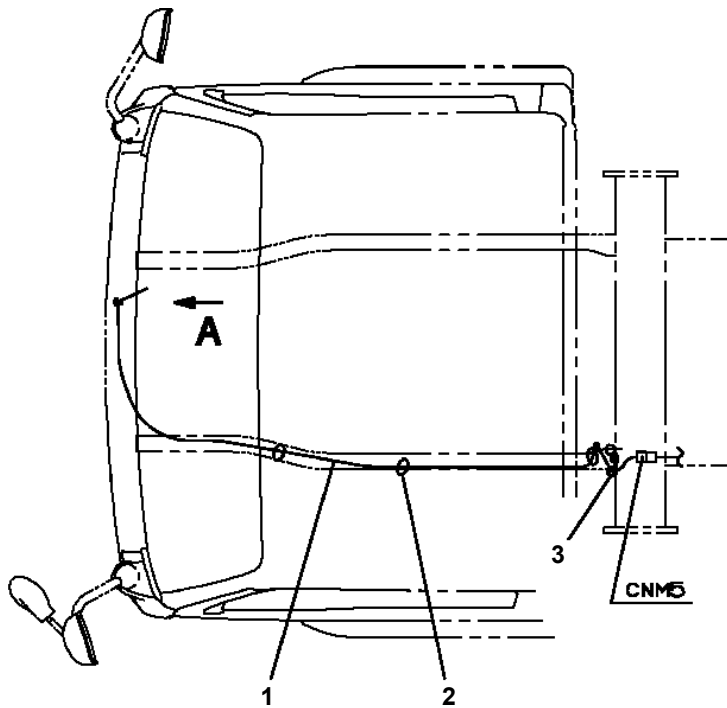
AT-110-4 42084442400 LOWER,ISUZU BKG-NKR85AN-EE5AHY-JM

| Pos No. | Parts No | Parts Name | Qty | Unit | Technical Data | Serial No (Start) | Serial No (End) | Remarks | Pages |
|---------|-------------|------------|-----|------|----------------|-------------------|-----------------|---------|-------|
| 1 | 42806830800 | HARNESS | 1 | | | | | | |

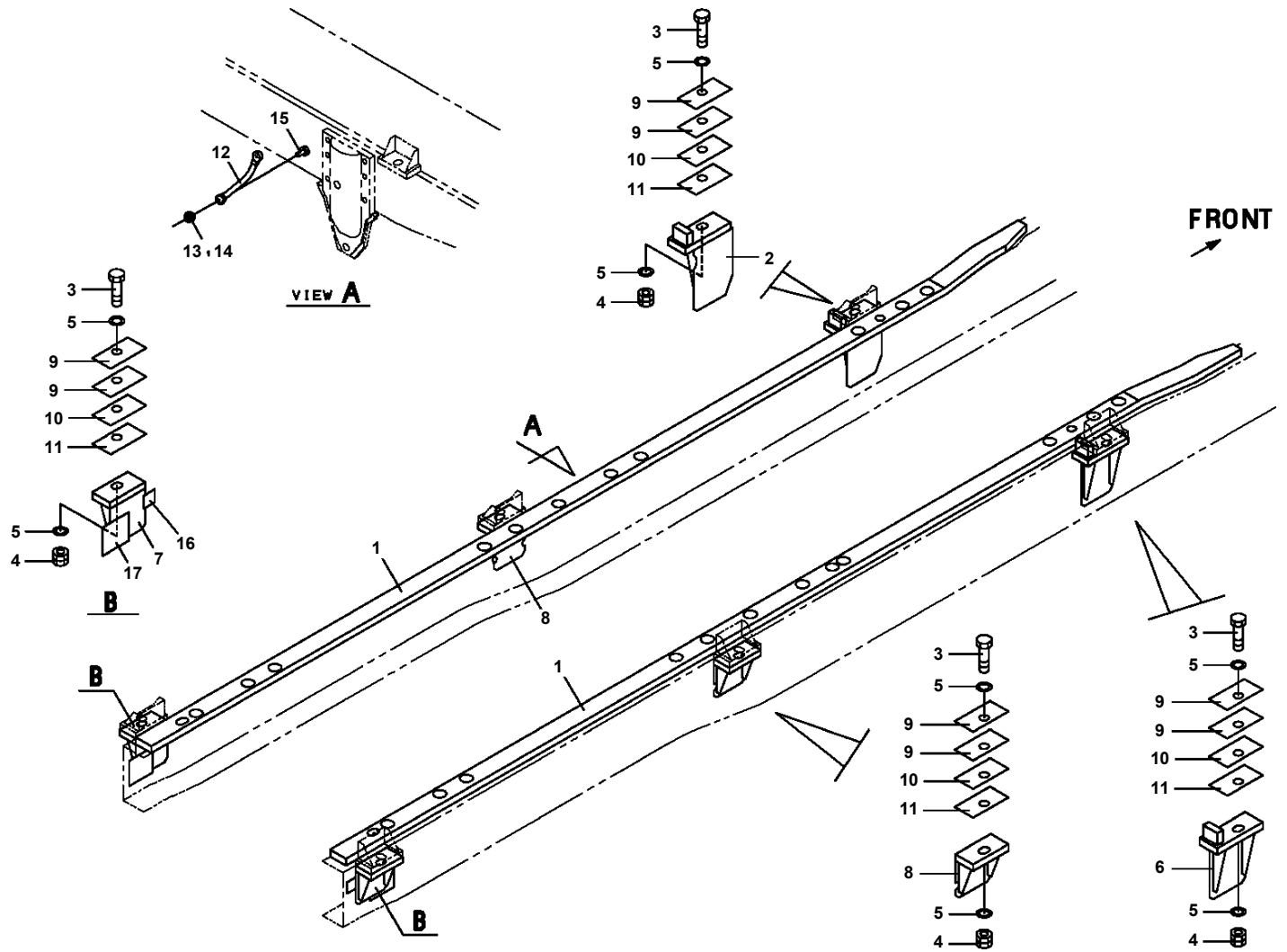
AT-110-4 42084442400 LOWER,ISUZU BKG-NKR85AN-EE5AHY-JM

| Pos No. | Parts No | Parts Name | Qty | Unit | Technical Data | Serial No (Start) | Serial No (End) | Remarks |
|---------|-------------|-----------------------|-----|------|----------------|-------------------|-----------------|---------|
| 1 | 36672285010 | HEAD ASSY | 1 | | | | | |
| 2 | 36670109511 | FILTER,CARTRIDGE | 1 | | | | HK2666 | |
| | 36672580000 | FILTER,CARTRIDGE | 1 | | | HK2667 | | |
| 10 | 36672280000 | FILTER,OIL (YAMASHIN) | 1 | | | | | |

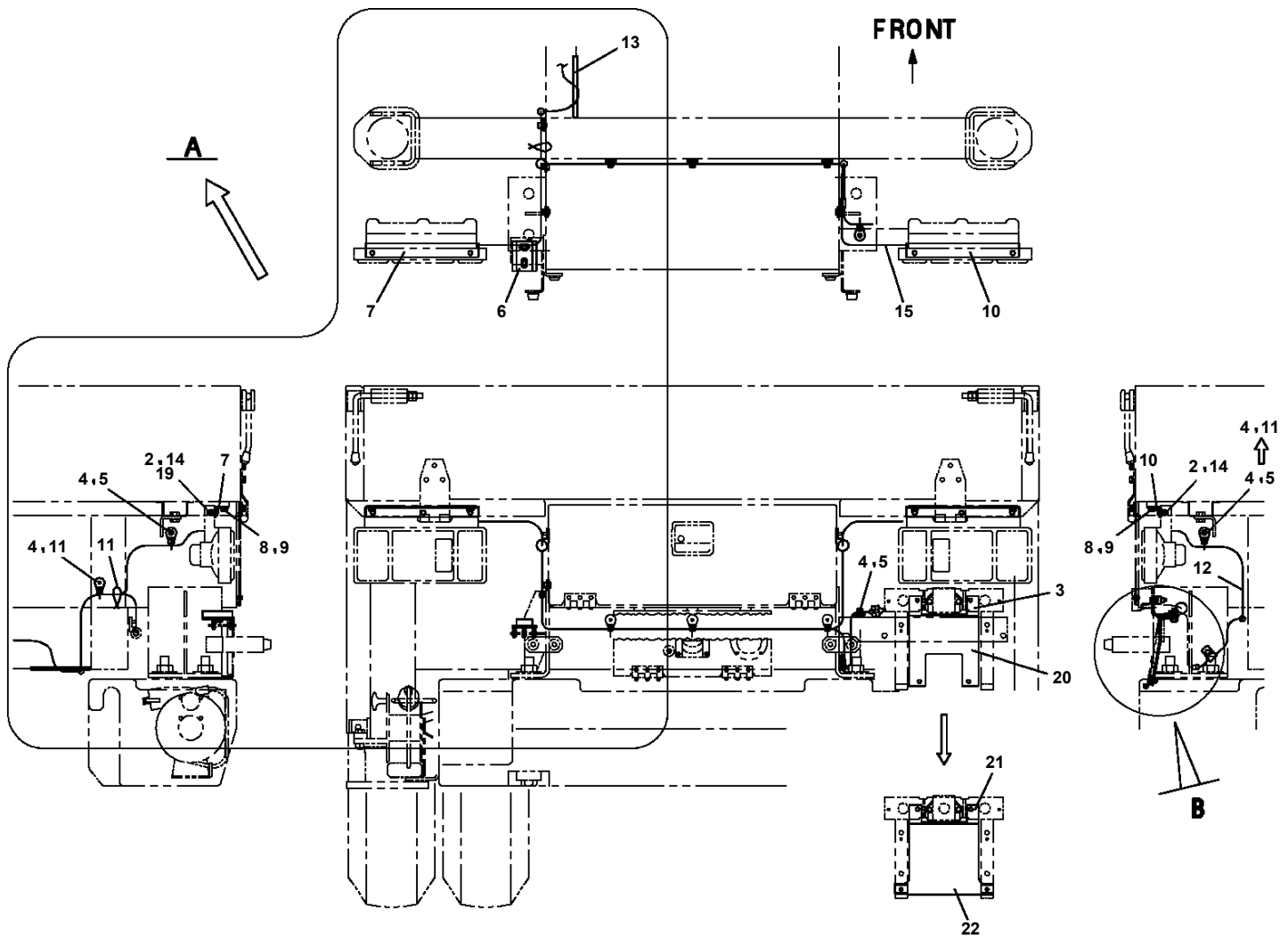
AT-110-4 42084442400 LOWER, ISUZU BKG-NKR85AN-EE5AHY-JM
 PN1014550-00 ELEC.ASSY (CARRIER/ROLLER JACK)



**AT-110-4 42084442400 LOWER,ISUZU BKG-NKR85AN-EE5AHY-JM
PX1170795-00 ATTACHMENT PARTS,CRANE FRAME**



AT-110-4 42084442400 LOWER,ISUZU BKG-NKR85AN-EE5AHY-JM
PX1310311-02 MOUNT,LAMP (TAIL)

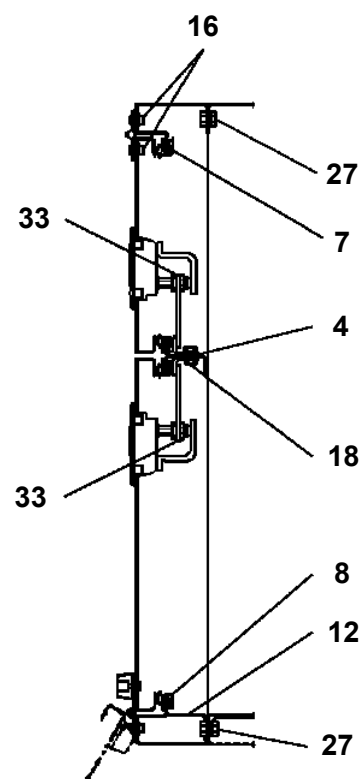
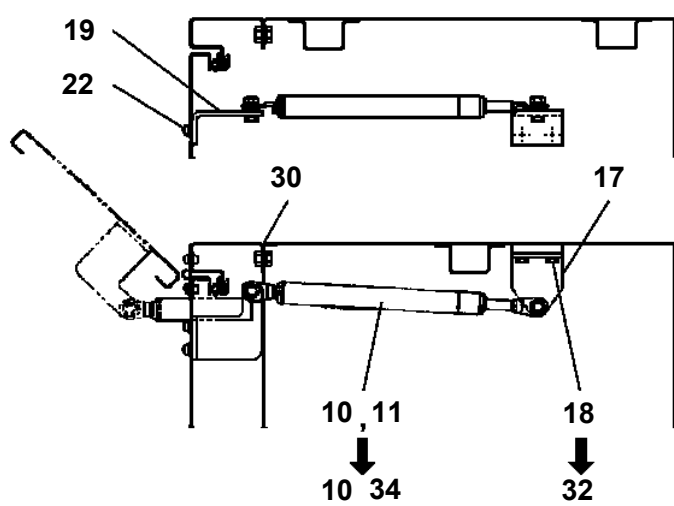
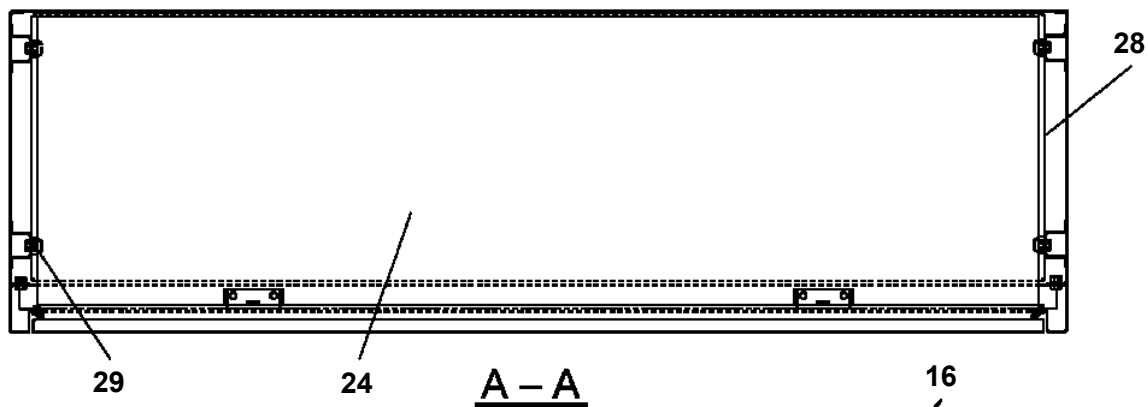


AT-110-4 42084442400 LOWER,ISUZU BKG-NKR85AN-EE5AHY-JM

| Pos No. | Parts No | Parts Name | Qty | Unit | Technical Data | Serial No (Start) | Serial No (End) | Remarks | Pages |
|---------|-------------|---------------|-----|------|----------------|-------------------|-----------------|---------|--------|
| 1 | 42836073002 | BOX,TOOL | 1 | | | | | | 000089 |
| 2 | 42836141001 | BOX,TOOL | 1 | | | | | | 000092 |
| 3 | 90101210025 | BOLT | 8 | | M10X25 | | | | |
| 4 | 90302041001 | WASHER,SPRING | 10 | | 10 | | | | |
| 5 | 37000506590 | PLATE | 8 | | T=1.6 | | | | |
| 6 | 42836060010 | SUPPORT | 1 | | | | | | |
| 7 | 90101208020 | BOLT | 6 | | M8X20 | | | | |
| 11 | 42835710100 | SUPPORT | 1 | | | | | | |
| 13 | 90101210020 | BOLT | 2 | | M10X20 | | | | |
| 14 | 90303071001 | WASHER,PLAIN | 2 | | 10 | | | | |
| 15 | 42836480010 | SUPPORT | 1 | | | | | | |
| 16 | 90303400801 | WASHER | 6 | | M8X19 | | | | |

AT-110-4 42084442400 LOWER, ISUZU BKG-NKR85AN-EE5AHY-JM
PX1351162-00 BOX, TOOL

100



AT-110-4 42084442400 LOWER,ISUZU BKG-NKR85AN-EE5AHY-JM

| Pos No. | Parts No | Parts Name | Qty | Unit | Technical Data | Serial No (Start) | Serial No (End) | Rem |
|---------|-------------|---------------------------|-----|------|----------------|-------------------|-----------------|-----|
| 3 | 42836077560 | DOOR ASSY | 1 | | | | | |
| 4 | 42835717620 | GUIDE | 1 | | | | | |
| 6 | 42835797580 | PLUG (HOLE) | 8 | | | | | |
| 7 | 42833077610 | BUSH | 14 | | | | | |
| 8 | 42836077570 | BOLT (WITH W,SW) | 4 | | M10X20 | | | |
| 9 | 42836077530 | SEAT | 1 | | | | | |
| 10 | 42836077580 | SEAT | 1 | | | | | |
| 11 | 42836077590 | SUPPORT | 1 | | | | | |
| 12 | 42836077600 | SUPPORT | 4 | | | | | |
| 13 | 42835867650 | NUT (SPEED NUT) | 2 | | M6 | | | |
| 14 | 42835567670 | SCREW,MACHINE (WITH W,SW) | 2 | | M6X12 | | | |
| 15 | 99164408016 | BOLT (M8X16,WITH WASHER) | 14 | | | | | |
| 16 | 42835717670 | SUPPORT | 1 | | | | | |
| 18 | 42836077540 | STOPPER | 1 | | | | | |
| 19 | 42835467840 | SCREW,MACHINE (WITH W,SW) | 2 | | M5X22 | | | |
| 20 | 42835717770 | SPACER | 1 | | | | | |
| 21 | 42835717760 | PLATE | 2 | | | | | |
| 23 | 42835717700 | SEAL ASSY | 1 | | | | | |
| 24 | 42836077620 | NUT | 8 | | | | | |
| 25 | 42836077630 | COVER | 1 | | | | | |
| 26 | 42837207530 | SEAL | 1 | | | | | |
| 100 | 42836071000 | BOX,TOOL | 1 | | | | | |

AT-110-4 42084442400 LOWER,ISUZU BKG-NKR85AN-EE5AHY-JM

| Pos No. | Parts No | Parts Name | Qty | Unit | Technical Data | Serial No (Start) | Serial No (End) | Remarks | Page |
|---------|-------------|----------------|-----|------|----------------|-------------------|-----------------|---------|------|
| 1 | 42786890101 | SUPPORT | 1 | | | | | | |
| 2 | 42786890200 | SUPPORT | 1 | | | | | | |
| 3 | 42786890300 | SUPPORT | 1 | | | | | | |
| 4 | 90101208022 | BOLT | 4 | | M8X22 | | | | |
| 5 | 90302040801 | WASHER,SPRING | 9 | | 8 | | | | |
| 6 | 90303070801 | WASHER,PLAIN | 3 | | 8 | | | | |
| 7 | 90171110025 | BOLT | 5 | | M10X25 | | | | |
| 8 | 90302041001 | WASHER,SPRING | 5 | | 10 | | | | |
| 9 | 90303071001 | WASHER,PLAIN | 4 | | 10 | | | | |
| 10 | 91810132530 | FASTENER | 1 | | | | | | |
| 11 | 82100002018 | CLAMP | 2 | | WR35 | | | | |
| 12 | 90201200800 | NUT | 1 | | M8 | | | | |
| 13 | 82100001807 | TUBE,CORRUGATE | 1 | M | 28 | | | | |
| 14 | 90201781000 | NUT | 1 | | M10 | | | | |
| 15 | 90101208016 | BOLT | 5 | | M8X16 | | | | |
| 16 | 37000549940 | PLATE | 1 | | T=3.2 | | | | |
| 17 | 42787400010 | NUT | 2 | | M8 | 219716 | HK0731 | | |
| 18 | 42787850010 | WASHER | 2 | | | HK0732 | | | |
| 19 | 42787850020 | BAND | 2 | | | HK0732 | | | |
| 27 | 42787400010 | NUT | 2 | | M8 | HK0732 | | | |

AT-110-4 42084442400 LOWER,ISUZU BKG-NKR85AN-EE5AHY-JM

| Pos No. | Parts No | Parts Name | Qty | Unit | Technical Data | Serial No (Start) | Serial No (End) | Remarks | Pages |
|---------|-------------|------------------|-----|------|----------------|-------------------|-----------------|---------|-------|
| 1 | 42838343000 | BOX,TOOL | 1 | | | | HK0274 | | 00001 |
| | 42838343001 | BOX,TOOL | 1 | | | HK0275 | | | 00002 |
| 2 | 42838341000 | BOX,TOOL | 1 | | | | HK0274 | | 00001 |
| | 42838341001 | BOX,TOOL | 1 | | | HK0275 | | | 00003 |
| 3 | 90101210025 | BOLT | 8 | | M10X25 | | | | |
| 4 | 90302041001 | WASHER,SPRING | 10 | | 10 | | | | |
| 5 | 37000506590 | PLATE | 8 | | T=1.6 | | | | |
| 6 | 42835710010 | SUPPORT | 1 | | | | | | |
| 7 | 90101208020 | BOLT | 6 | | M8X20 | | HK0274 | | |
| | 90101208020 | BOLT | 2 | | M8X20 | HK0275 | | | |
| 11 | 42835710100 | SUPPORT | 1 | | | | | | |
| 14 | 90101210020 | BOLT | 2 | | M10X20 | | | | |
| 15 | 90303071001 | WASHER,PLAIN | 2 | | 10 | | | | |
| 16 | 42836480010 | SUPPORT | 1 | | | | | | |
| 17 | 90303400801 | WASHER | 6 | | M8X19 | | | | |
| 18 | 90101208025 | BOLT | 4 | | M8X25 | HK0275 | | | |
| 41 | 42398701010 | PLATE,CAUTION | 2 | | | | | | |
| 42 | 42835714010 | PLATE (NON-SLIP) | 2 | | | | 219900 | | |

CLICK HERE TO **DOWNLOAD** THE COMPLETE MANUAL

- Thank you very much for reading the preview of the manual.
- You can download the complete manual from: www.heydownloads.com by clicking the link below



- Please note: If there is no response to CLICKING the link, please download this PDF first and then click on it.

CLICK HERE TO **DOWNLOAD** THE COMPLETE MANUAL