

**AT-110-5 42084540131 UPPER,LOWER,ISUZU TKG-NKR85AN-EE5AHY-JM**

**PB0000275-02 UPPER STRUCTURE SYSTEM**

**PB0000500-02 LOWER STRUCTURE SYSTEM**

**ASSEMBLY**

CLICK HERE TO **DOWNLOAD** THE COMPLETE MANUAL

- Thank you very much for reading the preview of the manual.
- You can download the complete manual from: [www.heydownloads.com](http://www.heydownloads.com) by clicking the link below



- Please note: If there is no response to CLICKING the link, please download this PDF first and then click on it.

CLICK HERE TO **DOWNLOAD** THE COMPLETE MANUAL

# AT-110-5 42084540131 UPPER,LOWER,ISUZU TKG-NKR85AN-EE5AHY-JM

PN5010840-01 NAME PLATE ASSY (RUNAWAY PREVENTION)  
PN5010957-00 NAME PLATE ASSY (MAXIMUM LOADING CAPACITY:300KG)  
PN5010958-00 NAME PLATE ASSY (MAXIMUM LOADING CAPACITY:400KG)  
PN5010959-00 NAME PLATE ASSY (MAXIMUM LOADING CAPACITY:450KG)  
PN5011063-00 NAME PLATE ASSY (TOOL BOX CENTRAL LOCK)  
PN5011167-00 NAME PLATE ASSY (JACK HORIZONTAL)  
PN5011168-00 NAME PLATE ASSY (VEHICLE HEIGHT)  
PN5011170-00 NAME PLATE ASSY (WEDGE INTERLOCK)  
PN5011171-00 NAME PLATE ASSY (VOICE ALARM)  
PN5011255-00 NAME PLATE ASSY (NON-SLIP)  
PN5011267-01 NAME PLATE ASSY (JACK HORIZONTAL)  
PN5011326-00 NAME PLATE ASSY (3RD BRAKE INTERLOCK)  
PN5011597-00 NAME PLATE ASSY (MAXIMUM LOADING CAPACITY:250KG)  
PN5011598-00 NAME PLATE ASSY (MAXIMUM LOADING CAPACITY:350KG)  
PN5011666-00 NAME PLATE ASSY (HEIGHT,CAPACITY,AIR/MITSUBISHI)  
PO1000182-00 INDICATION PLATES (UPPER)  
PO1000183-00 INDICATION PLATES (LOWER)  
PO1013121-01 PLATE ASSY,NAME (HYDRAULIC OIL)  
PO1014484-00 PLATE ASSY,NAME (NTT-NEOMEIT)  
PO1014634-01 PLATE ASSY,NAME (OIL/COLD DISTRICT)  
PO1090061-00 NON-SLIP PLATE (NTT SHIKOKU)  
PO5010010-00 OPE.ASSY (LEVER,CONTROL)  
PO5010015-01 OPE.ASSY  
PO5010017-00 OPE.ASSY  
PO5010027-02 OPE.ASSY (LEVER,CONTROL)  
PO5010029-00 OPE.ASSY  
PO5050038-01 OPE.ASSY,BUCKET (WITH 2-AXIS ENABLE SW)  
PO5050039-01 OPE.ASSY,BUCKET (WITH 3-AXIS ENABLE SW)  
PO5050041-01 OPE.ASSY,BUCKET  
PO5050042-01 OPE.ASSY,BUCKET  
PO5080088-02 OPE.ASSY,CONT.VALVE  
PO5270125-00 OUTRIGGER ASSY (VERTICAL JACK)  
PO5270126-00 OUTRIGGER ASSY  
PO5270127-00 OUTRIGGER ASSY  
PO5270161-00 OUTRIGGER ASSY  
PO5270162-00 OUTRIGGER ASSY  
PO5270219-00 OUTRIGGER ASSY (VERTICAL JACK)  
PO5270220-00 OUTRIGGER ASSY  
PP5330009-00 POWER SUPPLY ASSY (HYBRID SYSTEM)  
PP5330015-00 POWER SUPPLY ASSY (HYBRID SYSTEM,3 MODE,WITH FAN)  
PP5330019-00 POWER SUPPLY ASSY (HYBRID SYSTEM,3 MODE,WITH FAN)  
PP5330025-00 POWER SUPPLY ASSY (HYBRID SYSTEM,3 MODE,WITH FAN)  
PP5340009-01 POWER SUPPLY ASSY,ELECTRICITY (LOWER,2POLES OUTLET)  
PP5340013-00 POWER SUPPLY ASSY,ELECTRICITY (HYBRID/2-POLES OUTLET)  
PP5340019-00 POWER SUPPLY ASSY,ELECTRICITY (BUCKET/100V 3POLES)  
PP5340024-00 POWER SUPPLY ASSY,ELECTRICITY (LOWER,3POLES OUTLET)  
PP5340025-00 POWER SUPPLY ASSY,ELECTRICITY (HYBRID/3-POLES OUTLET)  
PP5340028-00 POWER SUPPLY ASSY,ELECTRICITY  
PP5340029-01 POWER SUPPLY ASSY,ELECTRICITY (LOWER/INVERTER)  
PP5340030-01 POWER SUPPLY ASSY,ELECTRICITY (LOWER/POWER TAKEOUT)  
PP5340034-00 POWER SUPPLY ASSY,ELECTRICITY (LOWER,3POLES OUTLET)  
PP5340036-00 POWER SUPPLY ASSY,ELECTRICITY (LOWER,3POLES OUTLET)  
PP5420012-02 PUMP ASSY,OIL  
PP5450004-00 PUMP,GREASE (400CC)  
PP6010236-01 PIPING ASSY  
PP6010255-01 PIPING ASSY  
PP6060007-01 PIPING ASSY,BOOM  
PP6130021-00 PIPING ASSY,FRAME  
PP6130040-00 PIPING ASSY,FRAME  
PP6210016-03 PIPING ASSY,MOUNTING  
PP6330005-03 PIPING ASSY,SWING FRAME  
PR5090141-01 RELAY ASSY  
PR5090142-00 RELAY ASSY  
PR5100062-00 RELAY BOX ASSY

# AT-110-5 42084540131 UPPER,LOWER,ISUZU TKG-NKR85AN-EE5AHY-JM

Pos No.	Parts No	Parts Name	Qty	Unit	Technical Data	Serial No (Start)	Serial No (End)	Remarks
1	36654115010	MOTOR ASSY	1					
3	36652625020	CAP (TERMINAL)	1					
5	36654115030	BOLT,HEXAGON SOCKET	2		M8X40			
6	36654205020	WASHER	2					
7	36654205030	NUT	2					
8	36652025040	O-RING	1		S55			
9	36652625030	VALVE,CHECK	1					
10	36652625040	PUMP ASSY	1					
12	44550417800	WASHER,SPRING (M8)	2					
20	36654115040	CABLE ASSY	1					
27	36652665060	O-RING	1		P8			
29	36652665050	O-RING	1		P14			
33	19215105160	SEAL,OIL	1					
34	36652665020	RING,RETAINING	1					
41	36654115020	CONTACTOR	1					
100	36654110000	PUMP,HYDRAULIC	1					

**AT-110-5 42084540131 UPPER,LOWER,ISUZU TKG-NKR85AN-EE5AHY-JM**

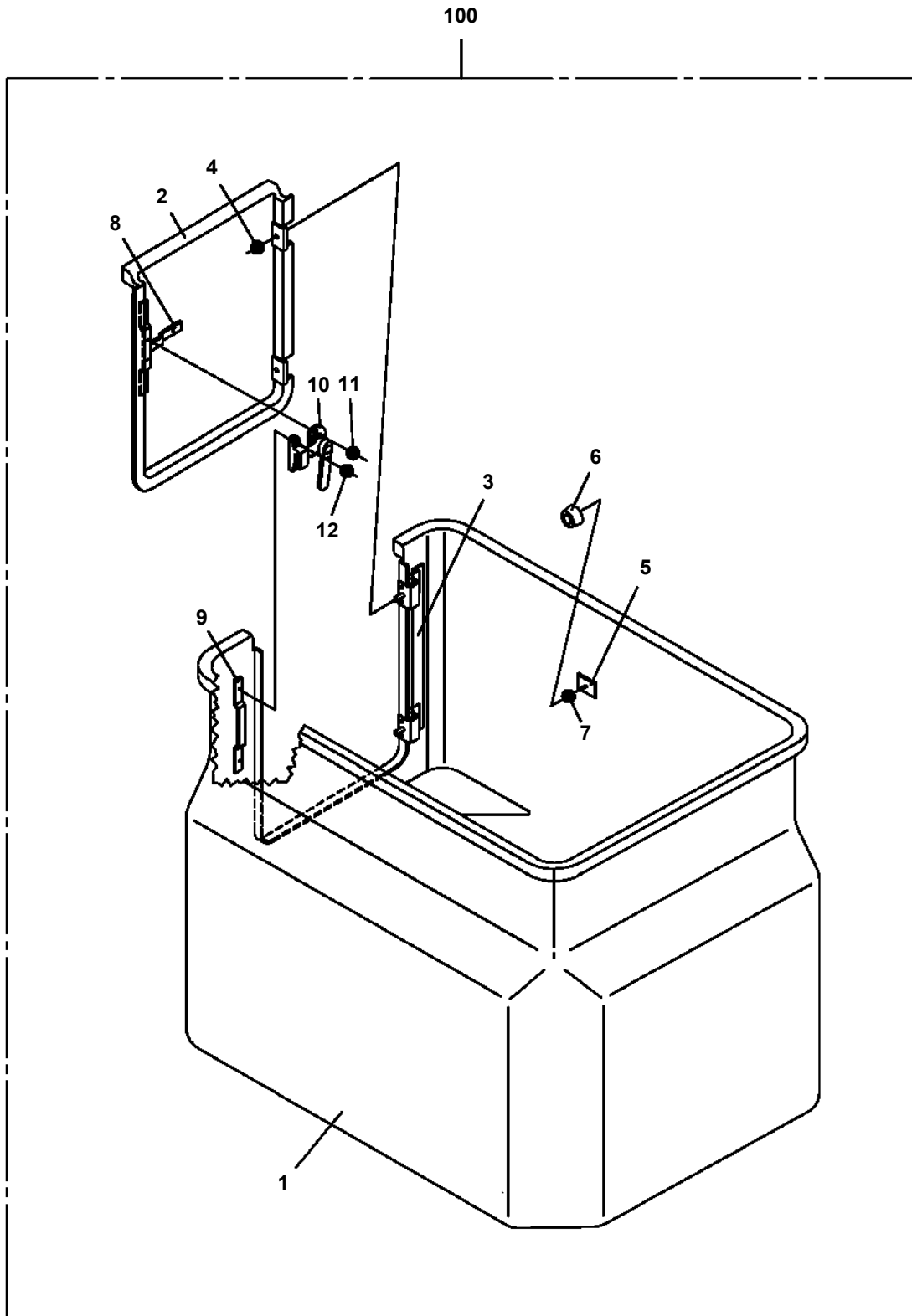
Pos No.	Parts No	Parts Name	Qty	Unit	Technical Data	Serial No (Start)	Serial No (End)	Remarks	P
1	82119434100	CONNECTOR	1						
2	42356280010	HARNESS	1						
3	91810130240	FASTENER	5						
4	42477640080	PLATE,NAME	1						
5	42350250070	PLUG (2 POLES,MALE)	1						
6	80175304016	SCREW,MACHINE	2		M4X16				

# AT-110-5 42084540131 UPPER,LOWER,ISUZU TKG-NKR85AN-EE5AHY-JM

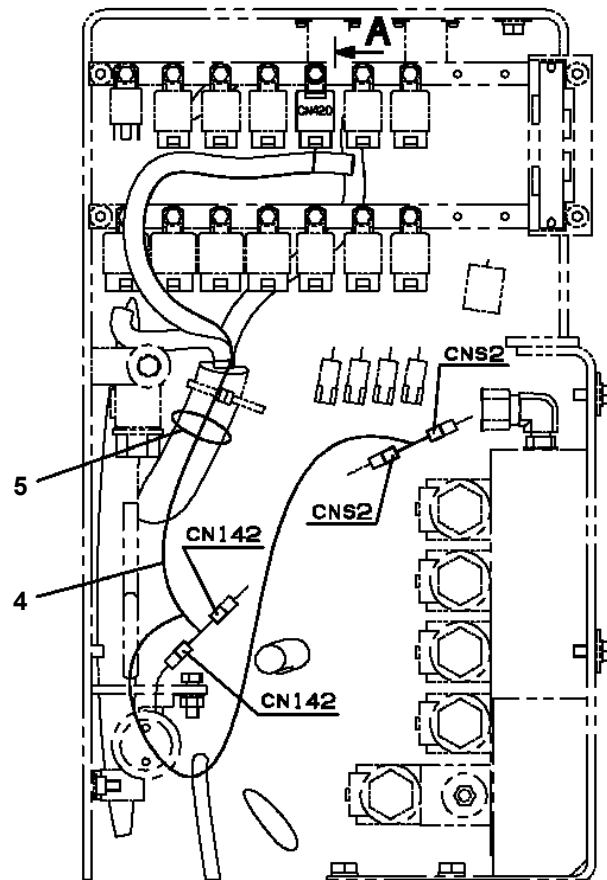
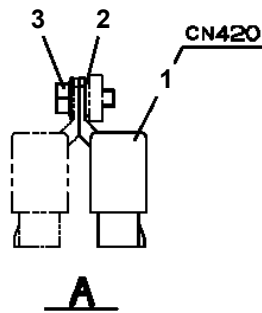
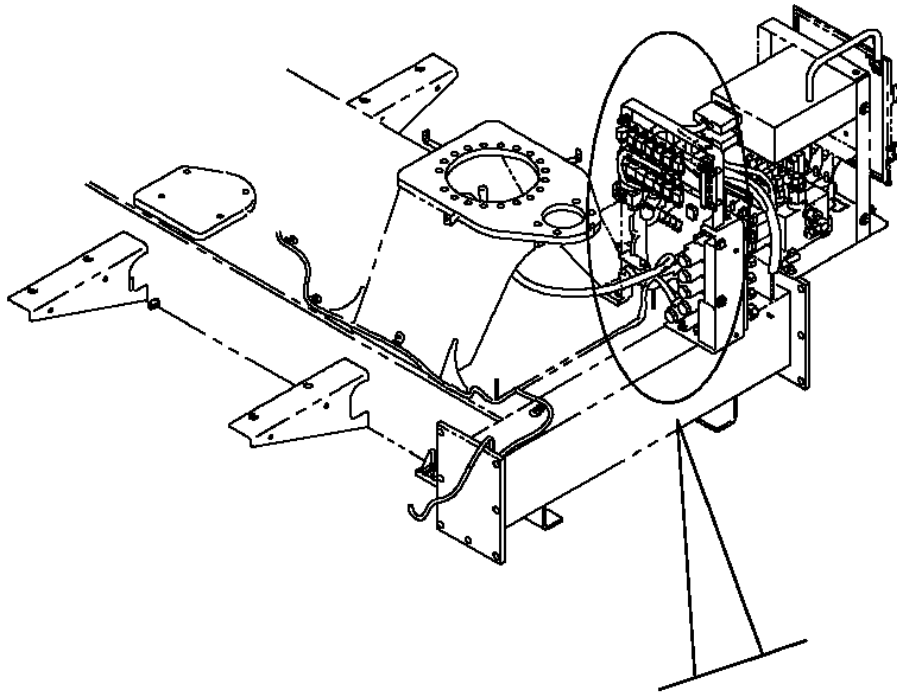
Pos No.	Parts No	Parts Name	Qty	Unit	Technical Data	Serial No (Start)	Serial No (End)
1	42203049510	BOOM,BASE	1				
2	42203062000	BOOM,2ND	1				
3	42203061000	BOOM,TOP	1				
5	42200484100	PLATE	N		T=0.8		
6	42200810020	PIN	1				
7	42202400010	SUPPORT	1				
8	42202400060	ROLLER	2				
9	42202400070	PLATE	2				
11	42202400090	PLATE	N		T=0.5		
13	42202400130	PLATE	N		T=0.5		
14	42202400140	PLATE	12		T=0.8		
15	42202400160	PLATE	N		T=0.8		
17	42202980200	SHEAVE ASSY	1				
18	31630302000	PLATE	N		T=1.5		
19	31631222000	CAP	4				
20	37000118960	PIN	2				
21	37000136510	PIN	4				
22	37000136530	PIN	2				
23	37000155030	PIN	2				
24	37000181820	PIN	1				
25	37000187050	PIN	1				
26	37000187080	PIN	2				
27	37000401810	BEARING,PLAIN	2				
28	37000558530	PLATE	1		T=9		
29	37000573190	PLATE	N		T=1.0		
31	37000584990	PLATE	N		T=0.8		
32	37001924210	ROPE,WIRE (TESAC)	2		8X6.21M		
	37001924240	ROPE,WIRE (J-WITEX)	2		8X6.21M		
33	37001924270	ROPE,WIRE (J-WITEX) 7X3.36M>	2				
	37001924220	ROPE,WIRE (TESAC)	2		7X3.36M		
34	37002016220	PLATE,SLIDE	2		T=12		HK1784
	37002018500	PLATE,SLIDE	2			HK1785	
35	37002018260	PLATE,SLIDE	2				
36	37002018460	PLATE,SLIDE	2		T=12		
38	37002018510	PLATE,SLIDE	4				
39	37002018540	PLATE,SLIDE	4				HK1784
	37002005260	PLATE,SLIDE	4			HK1785	
40	37002018970	PLATE,SLIDE	4		T=10		
41	37002018980	PLATE,SLIDE	2		T=12		
42	37002018530	PLATE,SLIDE	2		T=25		
43	37010101720	PIN	1				
44	80136363056	PIN,SPLIT	1		6.3X56		
45	80184306012	SCREW,MACHINE	6		M6X12		
46	80601110200	RING,RITAINING	6		S20		
47	80602110300	RING,RITAINING	7		R30		
48	80801003025	BEARING,PLAIN	1				
49	82455106000	NIPPLE,GREASE	4		A-M6F FE		
51	90171108020	BOLT	12		M8X20		
52	90171110022	BOLT	4		M10X22		
53	90171110025	BOLT	12		M10X25		
54	90171208030	BOLT	8		M8X30		
55	90172110020	BOLT,HEXAGON SOCKET	2		M10X20		
56	90202481200	NUT	8		M12		
57	90238403008	NUT,CASTLE	1		M30X2		
59	90302040801	WASHER,SPRING	20		8		
60	90302041001	WASHER,SPRING	14		10		
61	90303071001	WASHER,PLAIN	12		10		
62	90303073001	WASHER,PLAIN	1		30		
63	90171110020	BOLT	4		M10X20		
64	37002018480	PLATE,SLIDE	2				
65	37000584970	PLATE	N		T=0.8		
66	90101206016	BOLT	4		M6X16		HK2522
	90172106016	BOLT,HEXAGON SOCKET	4		M6X16	HK2523	



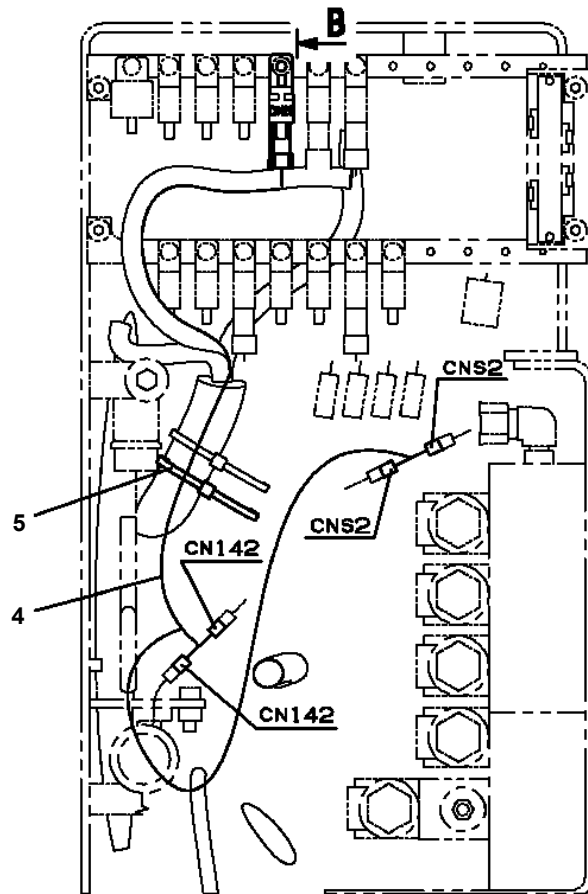
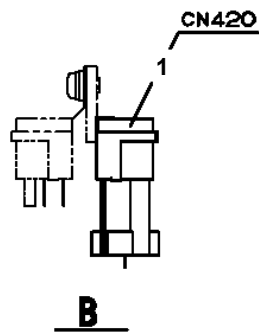
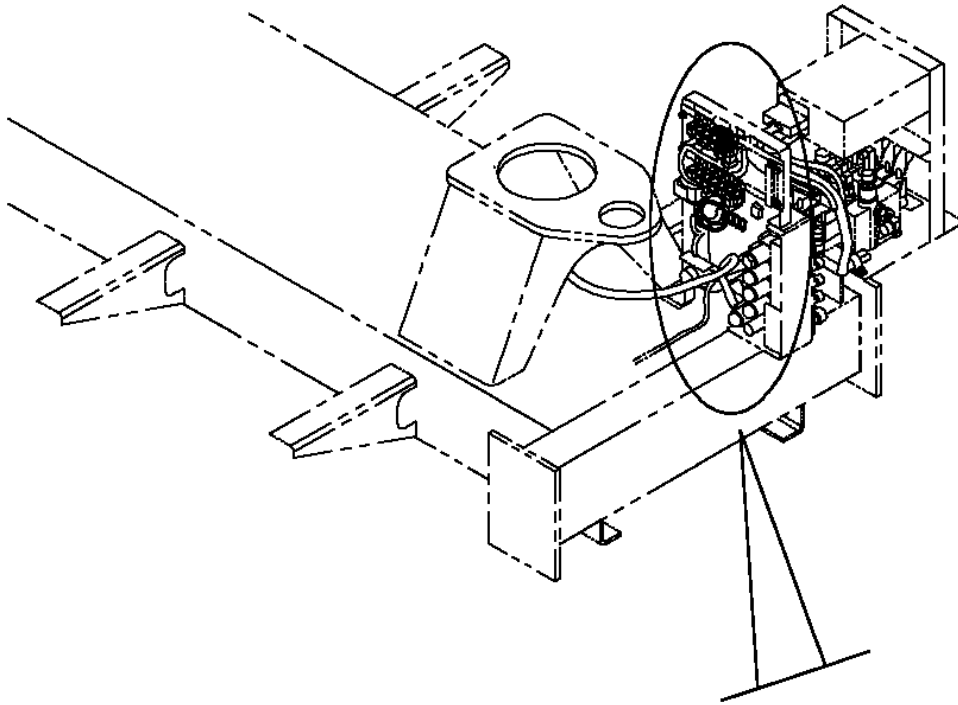
AT-110-5 42084540131 UPPER,LOWER,ISUZU TKG-NKR85AN-EE5AHY-JM  
PB5340007-00 BUCKET (WITH DOOR,WHITE)



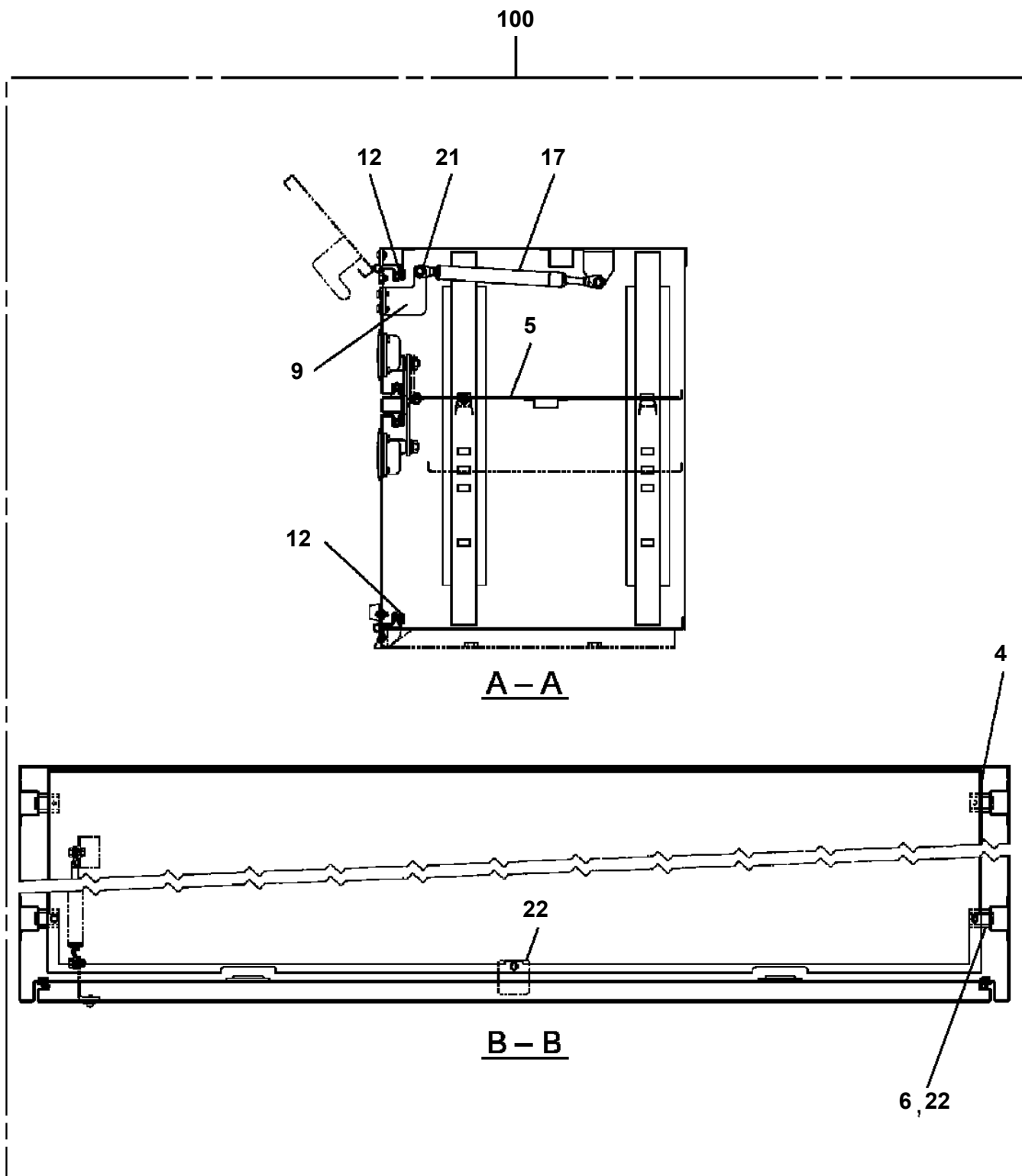
**AT-110-5 42084540131 UPPER,LOWER,ISUZU TKG-NKR85AN-EE5AHY-JM  
PB5390001-00 BUZZER ASSY (JACK CONTROL ALARM)**



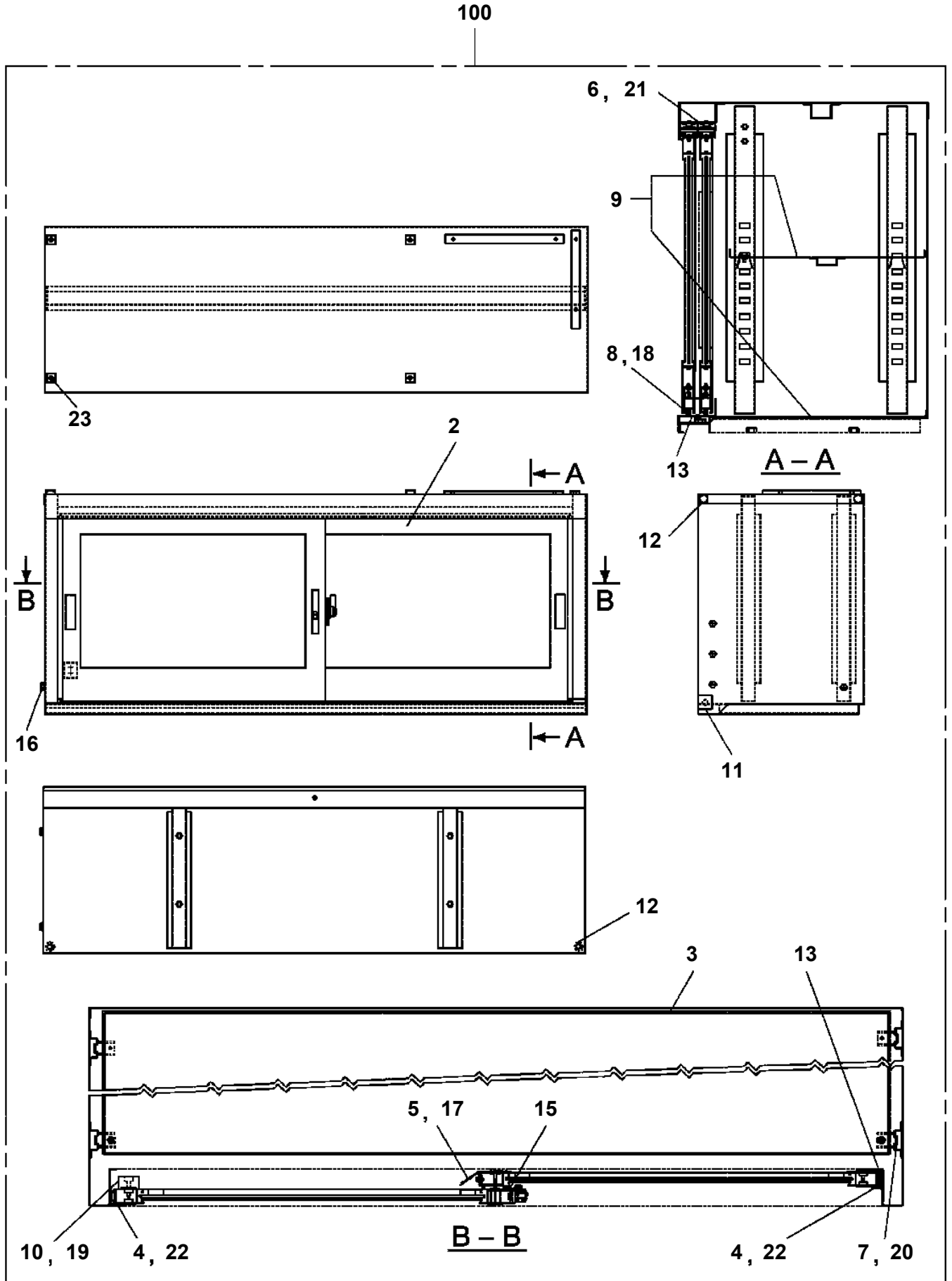
AT-110-5 42084540131 UPPER,LOWER,ISUZU TKG-NKR85AN-EE5AHY-JM  
PB5390006-00 BUZZER ASSY (JACK CONTROL ALARM)



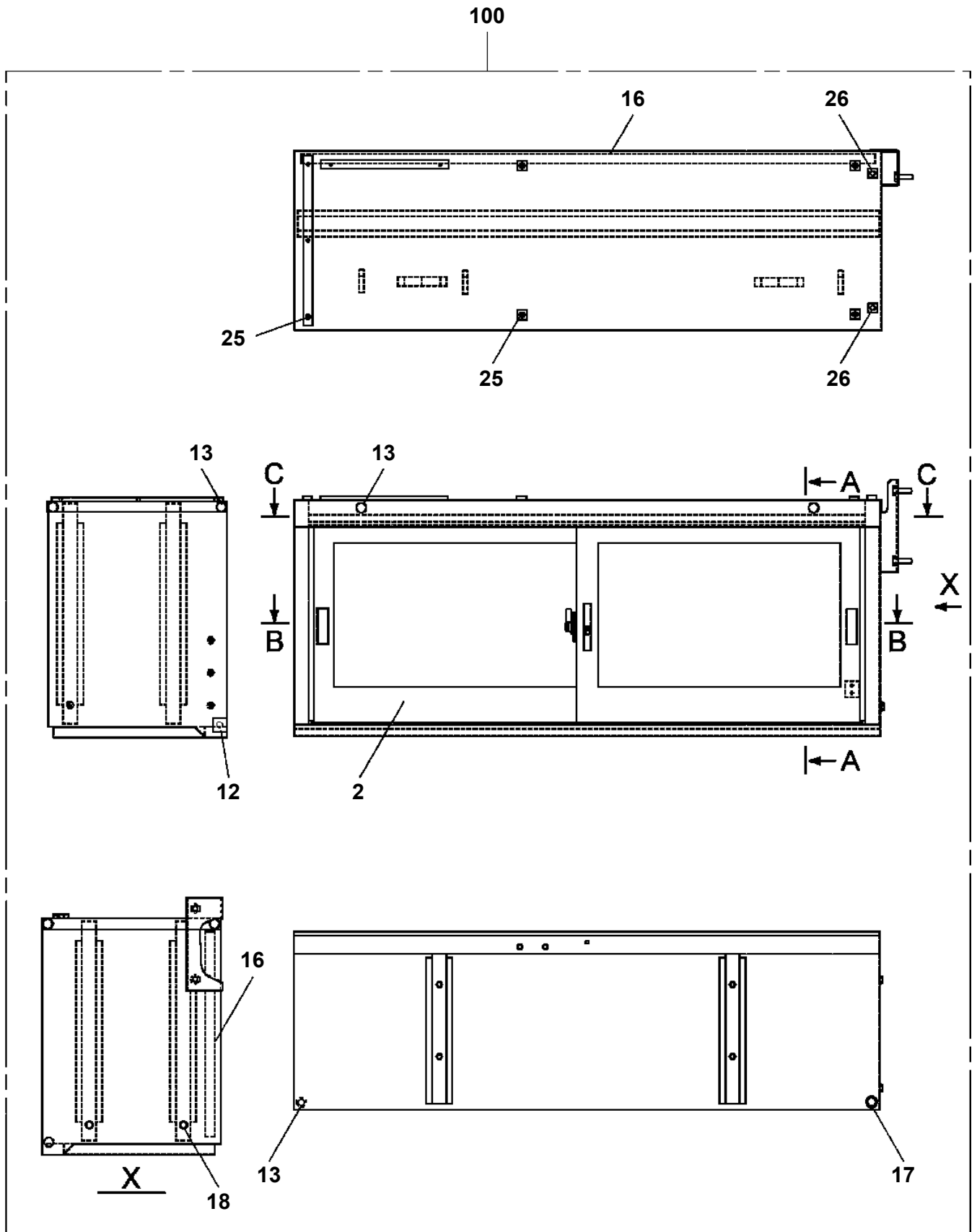
AT-110-5 42084540131 UPPER,LOWER,ISUZU TKG-NKR85AN-EE5AHY-JM  
PB5410073-00 BOX,TOOL



AT-110-5 42084540131 UPPER,LOWER,ISUZU TKG-NKR85AN-EE5AHY-JM  
PB5410109-00 BOX,TOOL



AT-110-5 42084540131 UPPER,LOWER,ISUZU TKG-NKR85AN-EE5AHY-JM  
PB5410127-00 BOX,TOOL



**AT-110-5 42084540131 UPPER,LOWER,ISUZU TKG-NKR85AN-EE5AHY-JM**

Pos No.	Parts No	Parts Name	Qty	Unit	Technical Data	Serial No (Start)	Serial No (End)	R
1	42501773000	FLOAT ASSY (WITHOUT SPACER)	4					
	42501771000	FLOAT ASSY (WITH SPACER)	4					

**AT-110-5 42084540131 UPPER,LOWER,ISUZU TKG-NKR85AN-EE5AHY-JM**

Pos No.	Parts No	Parts Name	Qty	Unit	Technical Data	Serial No (Start)	Serial No (End)
1	(*****)	ELEC.ASSY (GRADIENT WARNING)	1				
4	(*****)	PIPING ASSY	1				
7	(*****)	NAME PLATE ASSY (JACK HORIZONTAL)	1				

# AT-110-5 42084540131 UPPER,LOWER,ISUZU TKG-NKR85AN-EE5AHY-JM

Pos No.	Parts No	Parts Name	Qty	Unit	Technical Data	Serial No (Start)	Serial No (End)	Remarks
1	42507431600	COVER	1					
2	42507431800	COVER	1					
3	42507431510	COVER	1					
4	90813106012	BOLT,WING	4		M6X12			
5	90302040601	WASHER,SPRING	4		6			
6	82400000393	INSULATOR	1					
7	80172804016	SCREW,MACHINE	1		M4X16			
8	90201500400	NUT	13		M4			
9	90302510401	WASHER,SPRING	13		4			
10	82466101211	CATCH	1					
11	80175803008	SCREW,MACHINE	4		M3X8			
12	90302510301	WASHER,SPRING (SUS 3)	4					
13	90201500300	NUT	4		M3			
14	82464107813	HINGE	2					
15	80172804008	SCREW,MACHINE	12		M4X8			
37	82400000201	GROMMET	2		KG-016			
50	42507431500	COVER ASSY	1					

# AT-110-5 42084540131 UPPER,LOWER,ISUZU TKG-NKR85AN-EE5AHY-JM

Pos No.	Parts No	Parts Name	Qty	Unit	Technical Data	Serial No (Start)	Serial No (End)	Remarks	Pages
1	42321151102	COVER	1						
2	42321112201	COVER	1						
3	82464122900	HINGE	2						
4	90190204010	BOLT	8		M4X10				
5	90303520401	WASHER,PLAIN	8		4		HK0761		
	90303520401	WASHER,PLAIN	12		4	HK0762			
6	90302510401	WASHER,SPRING	8		4				
7	90201500400	NUT	8		M4				
8	82460025402	CATCH	1						
9	90302040501	WASHER,SPRING	4		5				
10	80175805010	SCREW,MACHINE	4		M5X10				
11	90201200500	NUT	4		M5				
12	42875640010	PLATE	4		T=0.5	HK0762			
13	80172304008	SCREW,MACHINE	2		M4X8				
14	90201200400	NUT	1		M4				
15	90240200400	NUT,CAP	1		M4				
16	90303070401	WASHER,PLAIN	2		4				
17	42321112010	CHAIN	1						
100	42321151001	COVER ASSY	1						

**AT-110-5 42084540131 UPPER,LOWER,ISUZU TKG-NKR85AN-EE5AHY-JM**

Pos No.	Parts No	Parts Name	Qty	Unit	Technical Data	Serial No (Start)	Serial No (End)	Remarks	Pages
1	42974350100	COVER	1						
2	42974350200	COVER	1						

# AT-110-5 42084540131 UPPER,LOWER,ISUZU TKG-NKR85AN-EE5AHY-JM

Pos No.	Parts No	Parts Name	Qty	Unit	Technical Data	Serial No (Start)	Serial No (End)
1	36028371000	CYLINDER	1				
2	36026159530	COVER,ROD	1				
3	80612110400	RING,RITAINING	1		AR40		
4	91002907000	O-RING	1		1B G70		
5	80801003525	BEARING,PLAIN	1				
6	91694003500	PACKING	1				
7	91410203501	RING,BACKUP	1				
8	91660003501	SEAL,DUST	1				
9	91002907500	O-RING	1		1B G75		
10	90302042401	WASHER,SPRING	1		24		
11	90209402400	NUT	1		M24		
12	36028370010	PISTON	1				
13	91002802000	O-RING	1		1B P20		
14	36028379510	ROD ASSY	1				
15	90303072401	WASHER,PLAIN	1		24		
16	82455106000	NIPPLE,GREASE	1		A-M6F FE		
17	91350207500	BEARING,PLAIN (WITH PACKINGX2)	1				
18	80541700030	BEARING,SPHERICAL (NTN)	1		SA4-30B		
50	36026489900	PACKING SET	1		35X75		
100	36028370000	CYLINDER ASSY,LEVELING (LOWER)	1				

**AT-110-5 42084540131 UPPER,LOWER,ISUZU TKG-NKR85AN-EE5AHY-JM**

Pos No.	Parts No	Parts Name	Qty	Unit	Technical Data	Serial No (Start)	Serial No (End)
1	(*****)	SWING FRAME ASSY	1				
2	(*****)	REDUCER,SWING SPEED (MOUNT)	1				
3	(*****)	DERRICK ASSY	1				
4	(*****)	PIPING ASSY,SWING FRAME	1				
5	(*****)	ELEC.ASSY,SWING FRAME	1				
6	36028370000	CYLINDER ASSY,LEVELING (LOWER)	1				
7	(*****)	MOUNT ASSY,SWIVEL JOINT	1				

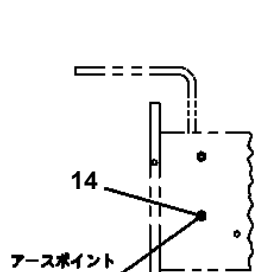
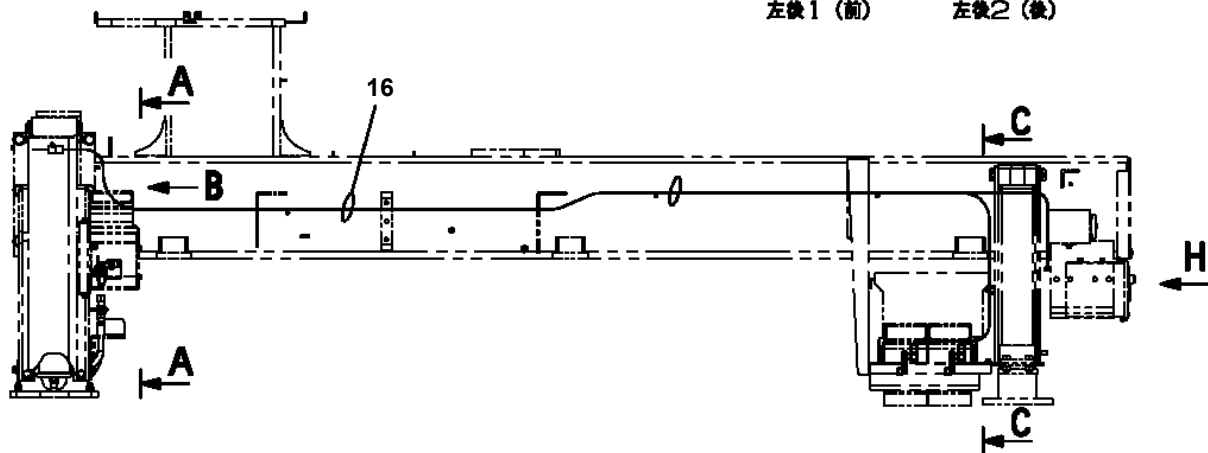
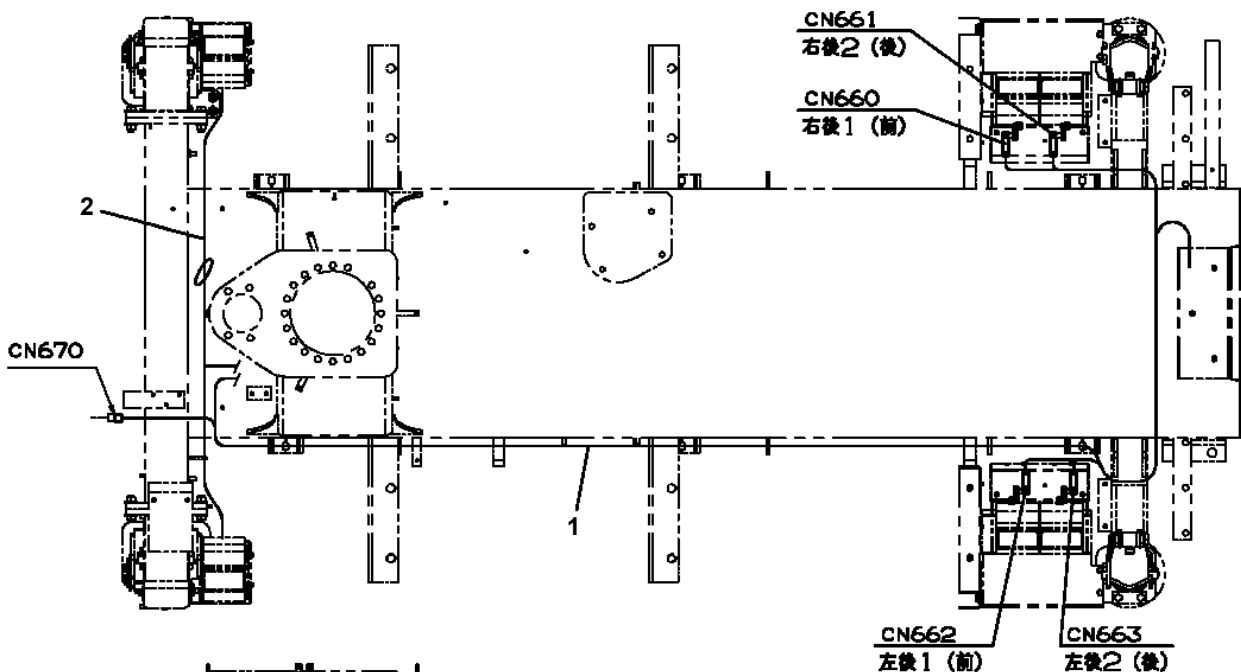
**AT-110-5 42084540131 UPPER,LOWER,ISUZU TKG-NKR85AN-EE5AHY-JM**

Pos No.	Parts No	Parts Name	Qty	Unit	Technical Data	Serial No (Start)	Serial No (End)	Remarks	Pages
1	36160020000	REEL,CORD	1						000310
2	90101208016	BOLT	4		M8X16				
3	90302040801	WASHER,SPRING	5		8				
4	42973580200	SUPPORT	1						
5	42739710200	EARTH	1						
6	42972480200	SUPPORT	1						
7	90101210025	BOLT	2		M10X25				
8	90302041001	WASHER,SPRING	2		10				
10	37002701590	CABLE ASSY	1		30B,L=280				
11	90303070801	WASHER,PLAIN	2		8				
12	90201200800	NUT	1		M8				
13	37000505950	PLATE	2		T=3.2				

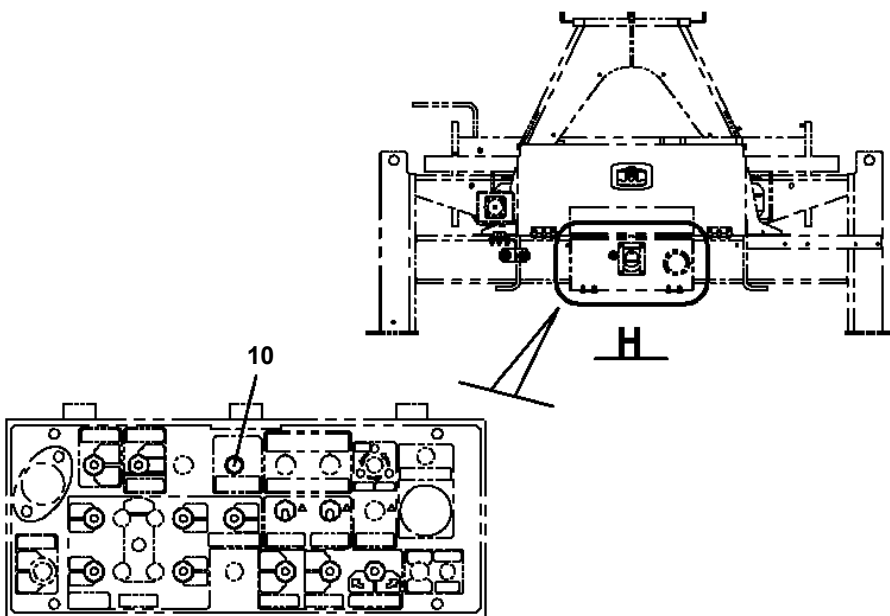
**AT-110-5 42084540131 UPPER,LOWER,ISUZU TKG-NKR85AN-EE5AHY-JM**

Pos No.	Parts No	Parts Name	Qty	Unit	Technical Data	Serial No (Start)	Serial No (End)	Remarks
1	36140510000	DETECTOR ASSY,ANGLE	1					
2	42652480010	PLATE	1					
3	42651620400	COVER	1					
4	90101208016	BOLT	6		M8X16			
5	90302040801	WASHER,SPRING	6		8			
6	90101206014	BOLT	2		M6X14			
7	90302040601	WASHER,SPRING	2		6			
8	91810130240	FASTENER	8					
9	37000500060	PLATE	2					
11	42509460100	HARNES	1					
12	82100002596	RELAY	1					
13	90186206014	BOLT,FLANGE	1		M6X14			
31	82400000201	GROMMET	1		KG-016			

AT-110-5 42084540131 UPPER,LOWER,ISUZU TKG-NKR85AN-EE5AHY-JM  
PE5020629-00 ELEC.ASSY (FRAME)



**B**  
音声警報オプション付きの場合は  
どちらか片方のみで可



後端操作BOX扉を開けた状態

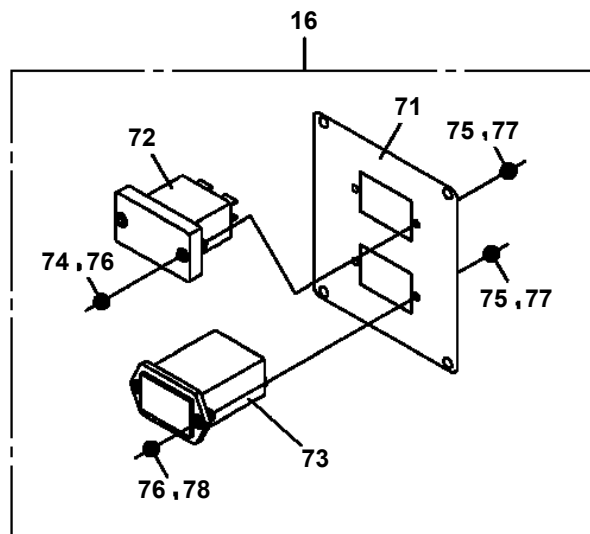
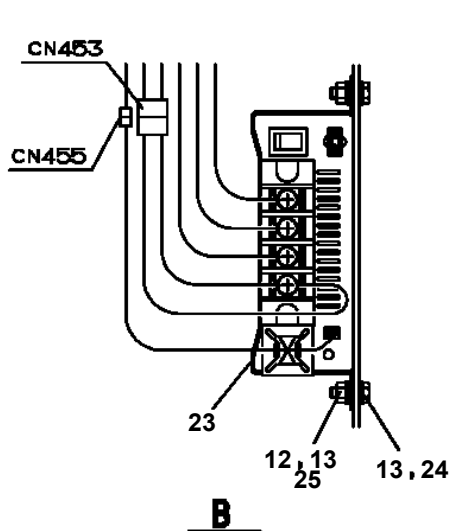
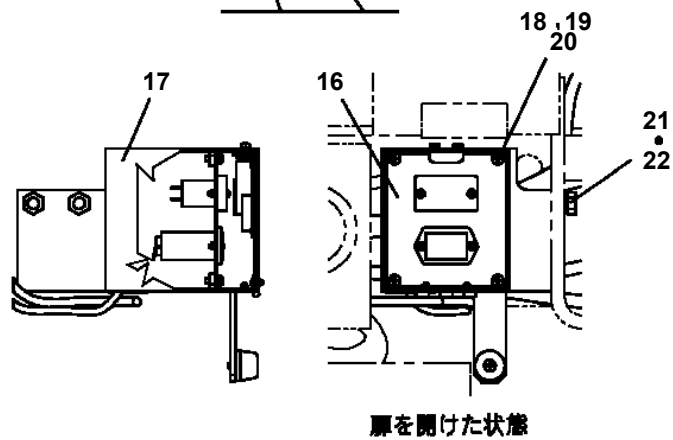
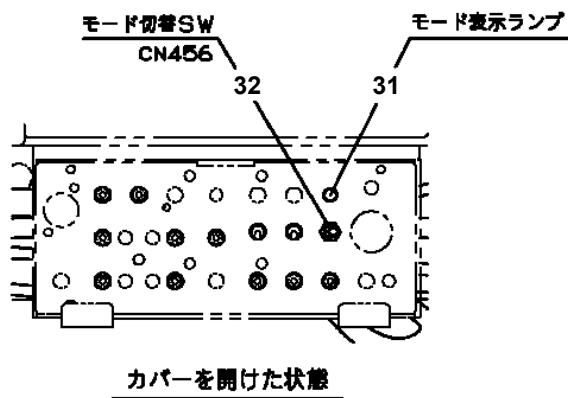
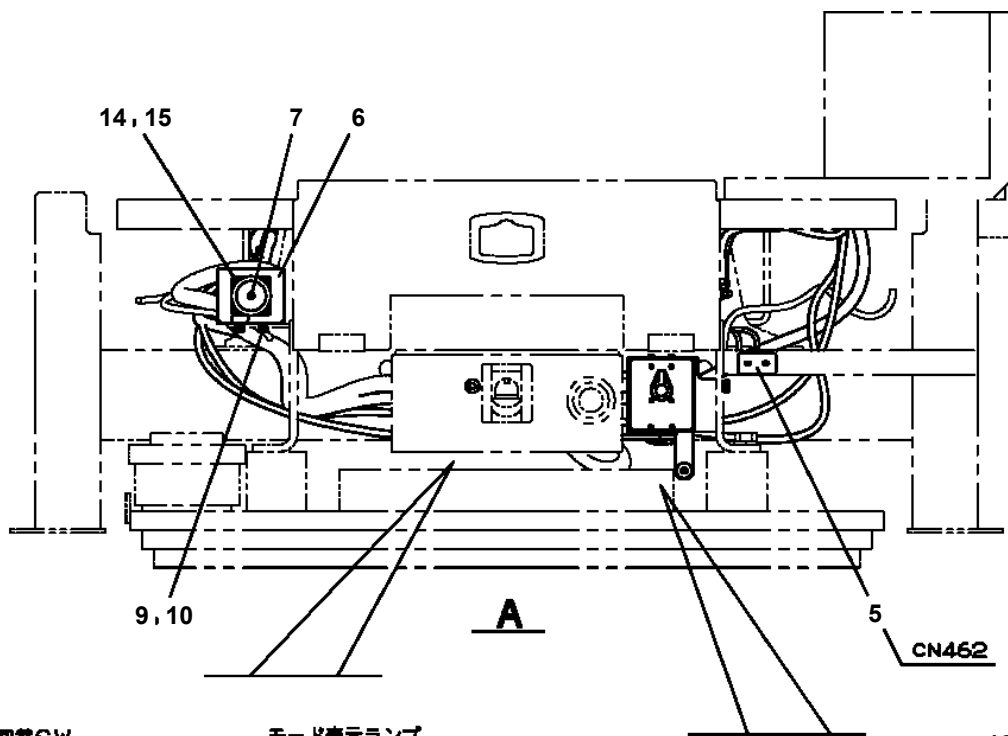
# AT-110-5 42084540131 UPPER,LOWER,ISUZU TKG-NKR85AN-EE5AHY-JM

Pos No.	Parts No	Parts Name	Qty	Unit	Technical Data	Serial No (Start)	Serial No (End)	Re
1	42973362100	HARNESS	1					
2	91810132530	FASTENER	20					
3	42973362200	HARNESS	1					
4	82100002645	SOCKET	1					
5	82199603010	SUPPORT	2					
6	42736070100	SWITCH ASSY (WITH HARNESS)	1					
7	82193101050	TIMER	1					
8	80172304014	SCREW,MACHINE	2		M4X14			
9	90240200400	NUT,CAP	2		M4			
10	90303070401	WASHER,PLAIN	2		4			
11	90302040401	WASHER,SPRING	2		4			
12	90101206014	BOLT	1		M6X14			
13	90302040601	WASHER,SPRING	1		6			
14	90303070601	WASHER,PLAIN	1		6			
15	90201200600	NUT	1		M6			
16	82100002596	RELAY	1					
17	32652540300	SUPPORT	1					
18	82100000191	TERMINAL	1					
19	82100000183	INSULATOR	1					
20	82100000192	TERMINAL	1					
21	82100000182	INSULATOR	1					
22	82115001002	CONNECTOR	4					
23	90101208018	BOLT	1		M8X18			
24	90302040801	WASHER,SPRING	1		8			
25	90303070801	WASHER,PLAIN	1		8			
26	90201200800	NUT	1		M8			

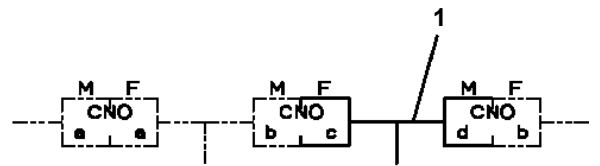
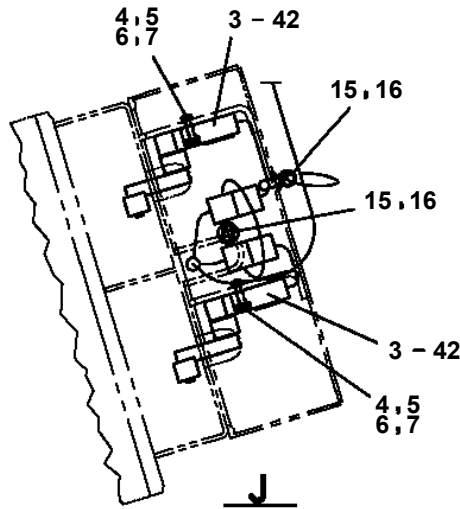
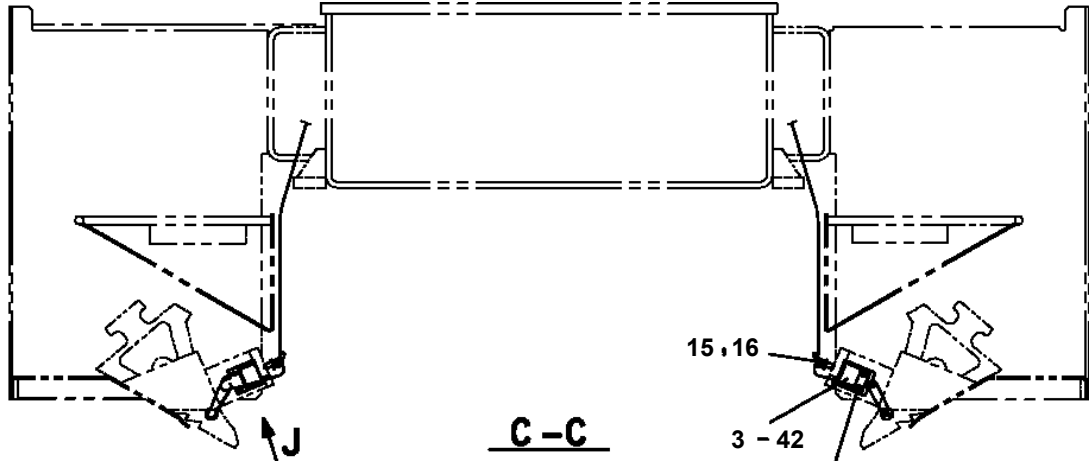
# AT-110-5 42084540131 UPPER,LOWER,ISUZU TKG-NKR85AN-EE5AHY-JM

Pos No.	Parts No	Parts Name	Qty	Unit	Technical Data	Serial No (Start)	Serial No (End)	Remarks
1	42501251000	LAMP ASSY (HALOGEN)	1					
2	42508702101	SUPPORT	1					
3	42356280010	HARNESS	1					
4	90813108016	BOLT,WING	1		M8X16			
5	90201200600	NUT	2		M6			
6	90302040601	WASHER,SPRING	2		6			
7	82100002006	CLAMP	1		WR10			
8	91810130240	FASTENER	5					
9	90101206016	BOLT	1		M6X16			
10	82100002035	CLAMP	1		WE8			
11	82119434100	CONNECTOR	1					
12	80175304016	SCREW,MACHINE	2		M4X16			
13	42477640080	PLATE,NAME	1					
14	42508140100	HARNESS	1					
15	90201200800	NUT	2		M8			
16	90302040801	WASHER,SPRING	2		8			
31	82199100032	LAMP	1					
32	90101212020	BOLT	1		M12X20			
33	90302041201	WASHER,SPRING	1		12			
34	37000179070	PIN	1					
35	80620210160	PIN,SNAP	1					
41	82100002850	LENS	1					
42	82100005003	BULB,LAMP	1		24V 55W ÈÙ'pÝ			

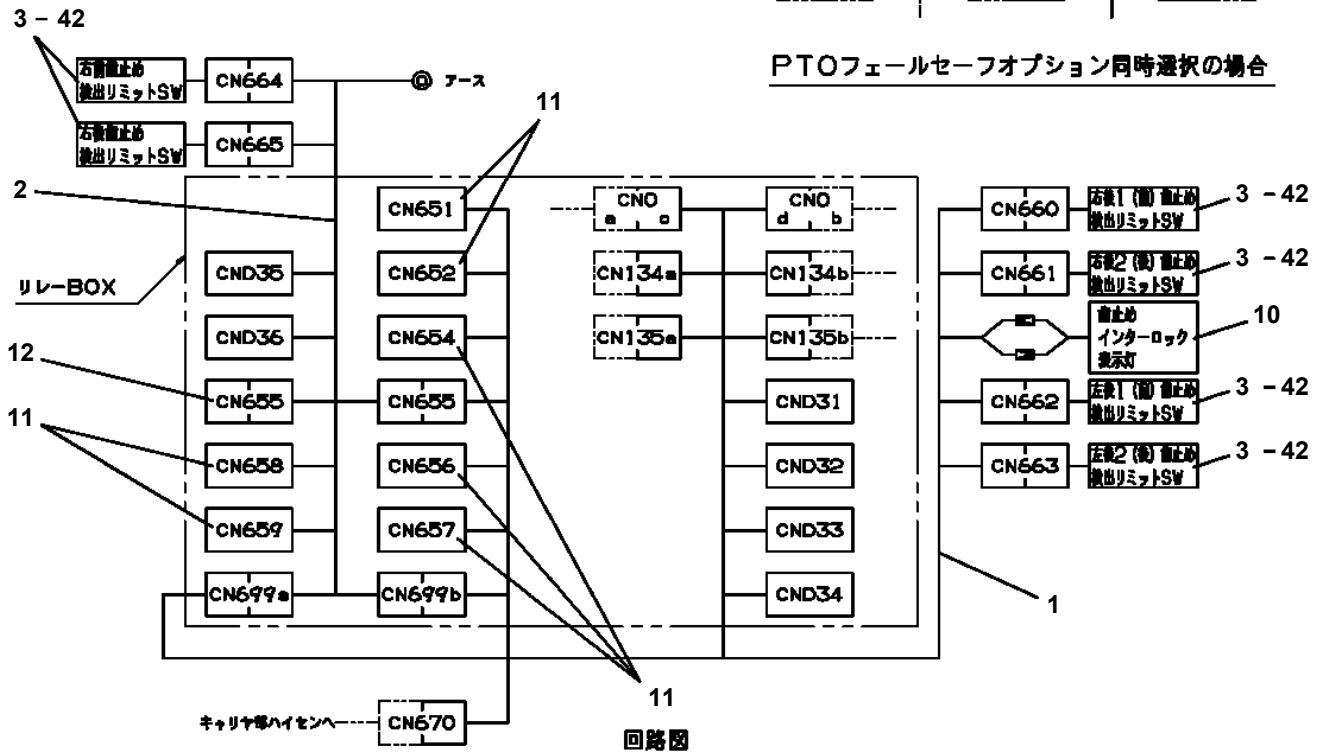
AT-110-5 42084540131 UPPER,LOWER,ISUZU TKG-NKR85AN-EE5AHY-JM  
PE5020730-00 ELEC.ASSY



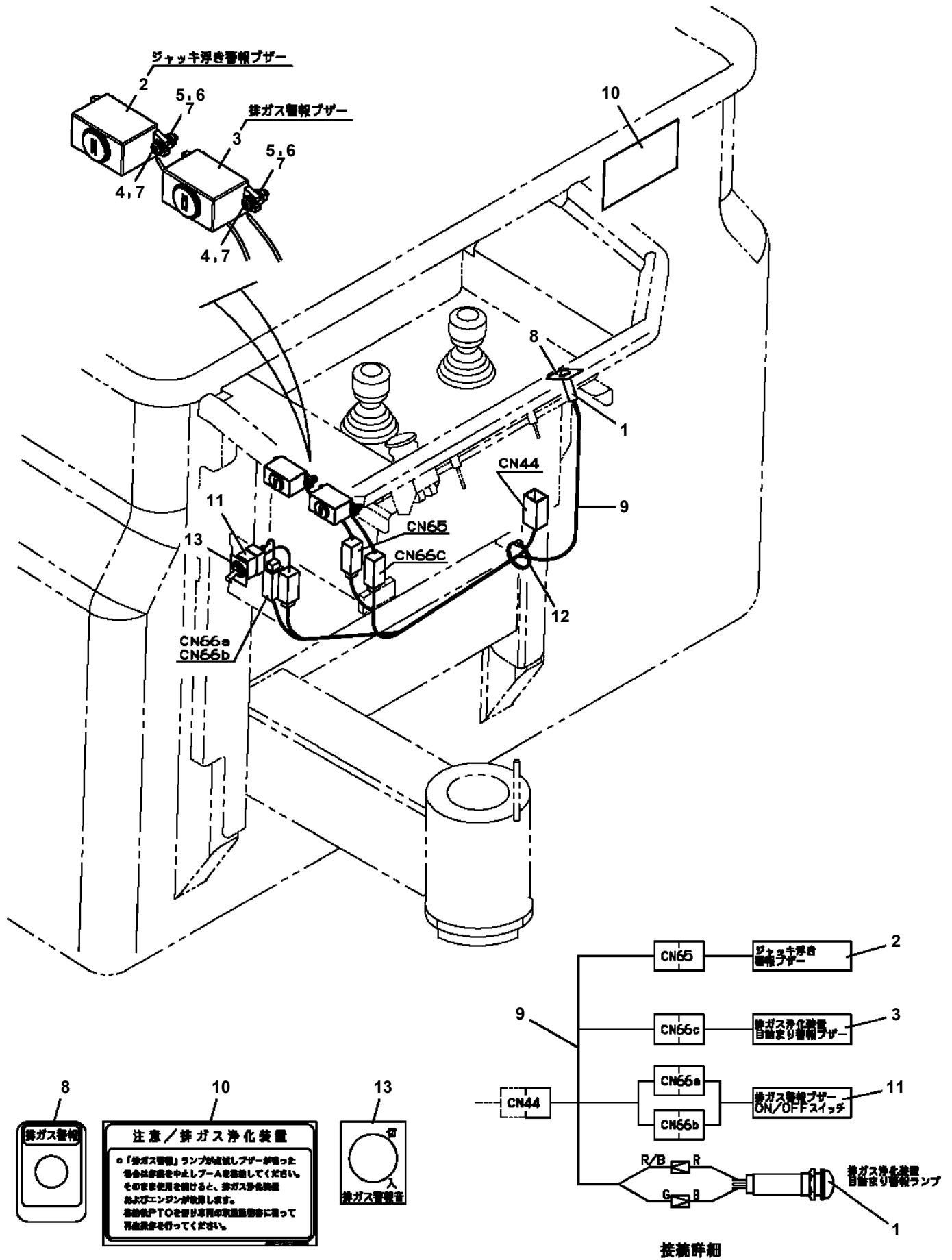
AT-110-5 42084540131 UPPER,LOWER,ISUZU TKG-NKR85AN-EE5AHY-JM  
PE5020763-00 ELEC.ASSY (FRAME)



PTOフェールセーフオプション同時選択の場合



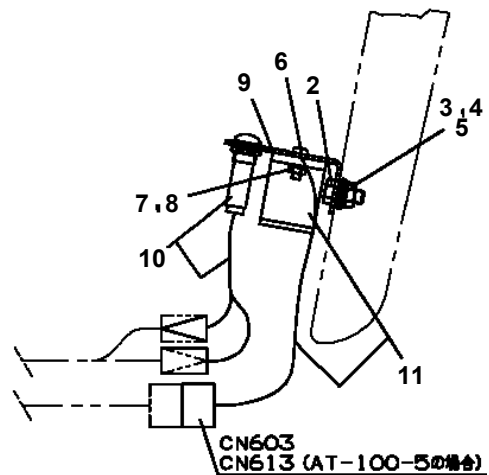
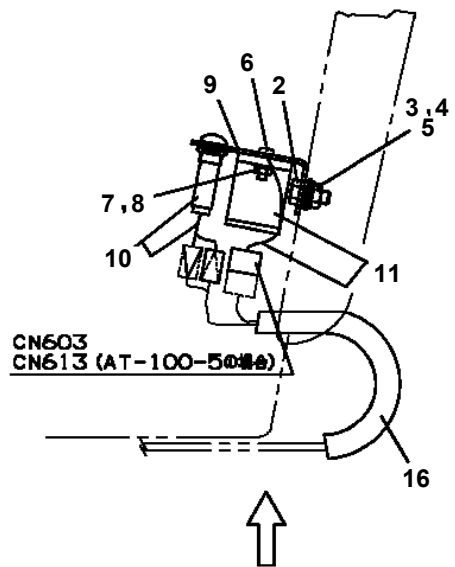
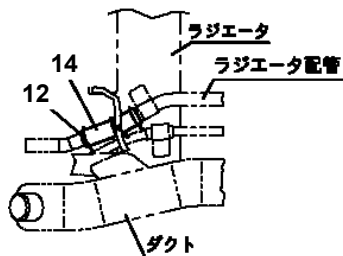
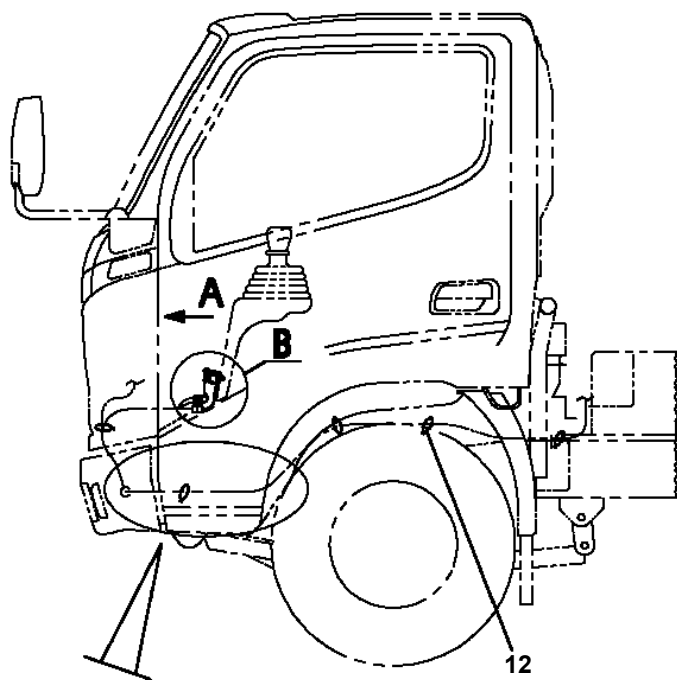
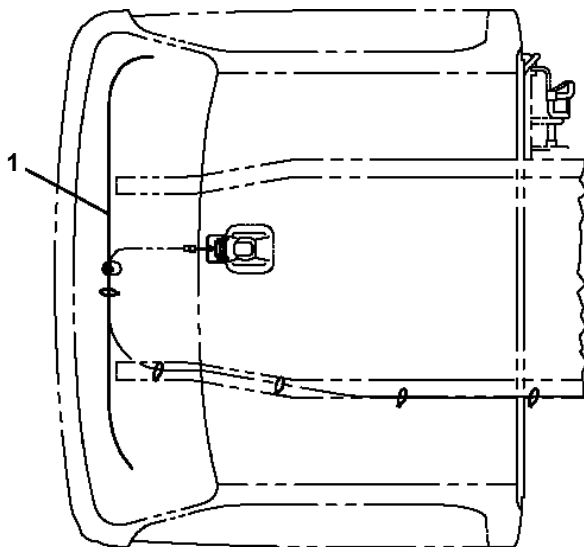
AT-110-5 42084540131 UPPER,LOWER,ISUZU TKG-NKR85AN-EE5AHY-JM  
PE5020858-00 ELEC.ASSY (JACK FROATING + EXHAUST GAS)



**AT-110-5 42084540131 UPPER,LOWER,ISUZU TKG-NKR85AN-EE5AHY-JM**

Pos No.	Parts No	Parts Name	Qty	Unit	Technical Data	Serial No (Start)	Serial No (End)
1	42507124300	SWITCH ASSY (WITH HARNESS,1 SW)	1				
2	91810130240	FASTENER	5				
3	82199514013	CAP	1				
4	82199504017	NUT	1		AT-401N		
5	42502181100	HARNESS	1				
6	42507124200	LAMP ASSY (WITH HARNESS)	1				
7	42508784100	HARNESS	1				
8	82199504018	WASHER	1				

AT-110-5 42084540131 UPPER,LOWER,ISUZU TKG-NKR85AN-EE5AHY-JM  
 PE5070114-01 ELEC.ASSY,CARRIER



**B**

**AT-110-5 42084540131 UPPER,LOWER,ISUZU TKG-NKR85AN-EE5AHY-JM**

Pos No.	Parts No	Parts Name	Qty	Unit	Technical Data	Serial No (Start)	Serial No (End)	R
1	42508680100	FLOAT	2					
2	42501771000	FLOAT ASSY (WITH SPACER)	2					
	42501773000	FLOAT ASSY (WITHOUT SPACER)	2					
3	90171110035	BOLT	8		M10X35			
4	90302041001	WASHER,SPRING	8		10			

**AT-110-5 42084540131 UPPER,LOWER,ISUZU TKG-NKR85AN-EE5AHY-JM**

Pos No.	Parts No	Parts Name	Qty	Unit	Technical Data	Serial No (Start)	Serial No (End)	Remarks	Pa
1	42972612000	GUARD (ASSY ONLY)	1						
2	90101208012	BOLT	4		M8X12				
3	90302040801	WASHER,SPRING	4		8				
4	90303070801	WASHER,PLAIN	4		8				

**AT-110-5 42084540131 UPPER,LOWER,ISUZU TKG-NKR85AN-EE5AHY-JM**

Pos No.	Parts No	Parts Name	Qty	Unit	Technical Data	Serial No (Start)	Serial No (End)	Remarks	Pages
1	42974360100	GUARD	1						
2	42974320200	GUARD	1						
3	42974320300	GUARD	1						

**AT-110-5 42084540131 UPPER,LOWER,ISUZU TKG-NKR85AN-EE5AHY-JM**

Pos No.	Parts No	Parts Name	Qty	Unit	Technical Data	Serial No (Start)	Serial No (End)	Remarks	Pages
1	42739931110	DISPLAY	1						000148
2	42807401150	CABLE	1						
3	42739931150	CAMERA	1						000150
30	42739962100	VIEW SYSTEM	1						

**AT-110-5 42084540131 UPPER,LOWER,ISUZU TKG-NKR85AN-EE5AHY-JM**

Pos No.	Parts No	Parts Name	Qty	Unit	Technical Data	Serial No (Start)	Serial No (End)	Remarks	Pages
1	42970231100	SUPPORT	1		T=3.5		HK0464		
	42970231200	SUPPORT	1		T=4.5	HK0465			
2	91810130240	FASTENER	3						
7	42391163120	PLATE,NAME	1						

**AT-110-5 42084540131 UPPER,LOWER,ISUZU TKG-NKR85AN-EE5AHY-JM**

Pos No.	Parts No	Parts Name	Qty	Unit	Technical Data	Serial No (Start)	Serial No (End)	Remarks	Pages
100	42935970100	HARNESS	1						

**AT-110-5 42084540131 UPPER,LOWER,ISUZU TKG-NKR85AN-EE5AHY-JM**

Pos No.	Parts No	Parts Name	Qty	Unit	Technical Data	Serial No (Start)	Serial No (End)	Remarks	Pages
1	42509571200	HARNESS	1						

**AT-110-5 42084540131 UPPER,LOWER,ISUZU TKG-NKR85AN-EE5AHY-JM**

Pos No.	Parts No	Parts Name	Qty	Unit	Technical Data	Serial No (Start)	Serial No (End)	Remarks	Pages
1	42508783600	HARNESS	1						

**AT-110-5 42084540131 UPPER,LOWER,ISUZU TKG-NKR85AN-EE5AHY-JM**

Pos No.	Parts No	Parts Name	Qty	Unit	Technical Data	Serial No (Start)	Serial No (End)	Remarks	Page
7	82100001862	ABSORBER,SERGE	2						
100	42502181100	HARNESS	1						

# AT-110-5 42084540131 UPPER,LOWER,ISUZU TKG-NKR85AN-EE5AHY-JM

Pos No.	Parts No	Parts Name	Qty	Unit	Technical Data	Serial No (Start)	Serial No (End)	Remarks	Pages
100	42971491100	HARNESS	1						

**AT-110-5 42084540131 UPPER,LOWER,ISUZU TKG-NKR85AN-EE5AHY-JM**

Pos No.	Parts No	Parts Name	Qty	Unit	Technical Data	Serial No (Start)	Serial No (End)	Remarks	Pages
1	82182809623	DIODE	1						
100	42509351100	HARNESS	1						

**AT-110-5 42084540131 UPPER,LOWER,ISUZU TKG-NKR85AN-EE5AHY-JM**

Pos No.	Parts No	Parts Name	Qty	Unit	Technical Data	Serial No (Start)	Serial No (End)	Remarks	Pages
1	82182819834	DIODE	4		1.5A				
10	42973351100	HARNESS	1						

**AT-110-5 42084540131 UPPER,LOWER,ISUZU TKG-NKR85AN-EE5AHY-JM**

Pos No.	Parts No	Parts Name	Qty	Unit	Technical Data	Serial No (Start)	Serial No (End)	Remarks	Pages
100	42973365100	HARNESS	1						

**AT-110-5 42084540131 UPPER,LOWER,ISUZU TKG-NKR85AN-EE5AHY-JM**

Pos No.	Parts No	Parts Name	Qty	Unit	Technical Data	Serial No (Start)	Serial No (End)	Remarks	Pages
1	82182819835	DIODE	4		1.5A				
2	82182819823	DIODE	3		1.5A				
3	82182809623	DIODE	2						
100	42654870101	HARNESS (MAIN)	1						

**AT-110-5 42084540131 UPPER,LOWER,ISUZU TKG-NKR85AN-EE5AHY-JM**

Pos No.	Parts No	Parts Name	Qty	Unit	Technical Data	Serial No (Start)	Serial No (End)	Remarks	Pages
100	42509571600	HARNESS	1						

**AT-110-5 42084540131 UPPER,LOWER,ISUZU TKG-NKR85AN-EE5AHY-JM**

Pos No.	Parts No	Parts Name	Qty	Unit	Technical Data	Serial No (Start)	Serial No (End)	Remarks
100	42973362101	HARNESS (OUTSIDE CAB)	1					

**AT-110-5 42084540131 UPPER,LOWER,ISUZU TKG-NKR85AN-EE5AHY-JM**

Pos No.	Parts No	Parts Name	Qty	Unit	Technical Data	Serial No (Start)	Serial No (End)	Remarks	Pages
100	42513440100	HARNESS	1						

**AT-110-5 42084540131 UPPER,LOWER,ISUZU TKG-NKR85AN-EE5AHY-JM**

Pos No.	Parts No	Parts Name	Qty	Unit	Technical Data	Serial No (Start)	Serial No (End)	Remarks	Pages
100	42332521500	HARNESS	1						

**AT-110-5 42084540131 UPPER,LOWER,ISUZU TKG-NKR85AN-EE5AHY-JM**

Pos No.	Parts No	Parts Name	Qty	Unit	Technical Data	Serial No (Start)	Serial No (End)	Remarks	Pages
100	42510601100	HARNESS	1						

**AT-110-5 42084540131 UPPER,LOWER,ISUZU TKG-NKR85AN-EE5AHY-JM**

Pos No.	Parts No	Parts Name	Qty	Unit	Technical Data	Serial No (Start)	Serial No (End)	Remarks	Pages
100	42973100200	HARNESS	1						

**AT-110-5 42084540131 UPPER,LOWER,ISUZU TKG-NKR85AN-EE5AHY-JM**

Pos No.	Parts No	Parts Name	Qty	Unit	Technical Data	Serial No (Start)	Serial No (End)	Remarks	Pages
1	82460027206	HANDLE	1						

CLICK HERE TO **DOWNLOAD** THE COMPLETE MANUAL

- Thank you very much for reading the preview of the manual.
- You can download the complete manual from: [www.heydownloads.com](http://www.heydownloads.com) by clicking the link below



- Please note: If there is no response to CLICKING the link, please download this PDF first and then click on it.

CLICK HERE TO **DOWNLOAD** THE COMPLETE MANUAL

# AT-110-5 42084540131 UPPER,LOWER,ISUZU TKG-NKR85AN-EE5AHY-JM

Pos No.	Parts No	Parts Name	Qty	Unit	Technical Data	Serial No (Start)	Serial No (End)	Remarks	Pages
1	82460027211	HANDLE	1						

**AT-110-5 42084540131 UPPER,LOWER,ISUZU TKG-NKR85AN-EE5AHY-JM**

Pos No.	Parts No	Parts Name	Qty	Unit	Technical Data	Serial No (Start)	Serial No (End)	Remarks
4	36625115010	JOINT	1					
5	91002801800	O-RING	1		1B P18			
50	36625250000	VALVE,CHECK (UZUMAKI)	1					

**AT-110-5 42084540131 UPPER,LOWER,ISUZU TKG-NKR85AN-EE5AHY-JM**

Pos No.	Parts No	Parts Name	Qty	Unit	Technical Data	Serial No (Start)	Serial No
1	(*****)	ELEC.ASSY (FRAME)	1				
2	(*****)	ELEC.ASSY,CARRIER	1				
3	(*****)	NAME PLATE ASSY (RUNAWAY PREVENTION)	1				

**AT-110-5 42084540131 UPPER,LOWER,ISUZU TKG-NKR85AN-EE5AHY-JM**

Pos No.	Parts No	Parts Name	Qty	Unit	Technical Data	Serial No (Start)	Serial No (End)
1	(*****)	ELEC.ASSY (FRAME)	1				
2	(*****)	ELEC.ASSY (CARRIER)	1				
3	(*****)	SUPPORT ASSY	1				
5	(*****)	NAME PLATE ASSY (WEDGE INTERLOCK)	1				

# AT-110-5 42084540131 UPPER,LOWER,ISUZU TKG-NKR85AN-EE5AHY-JM

Pos No.	Parts No	Parts Name	Qty	Unit	Technical Data	Serial No (Start)	Serial No (End)	Remarks	Pages
1	42262050200	BUCKET	1						

# AT-110-5 42084540131 UPPER,LOWER,ISUZU TKG-NKR85AN-EE5AHY-JM

Pos No.	Parts No	Parts Name	Qty	Unit	Technical Data	Serial No (Start)	Serial No (End)	Remarks	Pages
1	42501980100	GRIP	1						
2	90183112020	BOLT	2		M12X20				

**AT-110-5 42084540131 UPPER,LOWER,ISUZU TKG-NKR85AN-EE5AHY-JM**

Pos No.	Parts No	Parts Name	Qty	Unit	Technical Data	Serial No (Start)	Serial No (End)	R
1	42266920101	BUCKET (WHITE/WITHOUT BOSS)	1					
2	42477661000	MAT	1					

**AT-110-5 42084540131 UPPER,LOWER,ISUZU TKG-NKR85AN-EE5AHY-JM**

Pos No.	Parts No	Parts Name	Qty	Unit	Technical Data	Serial No (Start)	Serial No (End)	Remarks	Pages
1	42500582201	COVER	1						
2	42500582301	COVER	1						
3	82464100201	HINGE	2						
4	80175305012	SCREW,MACHINE	6		M5X12				
5	90302040501	WASHER,SPRING	18		5				
6	90240200500	NUT,CAP	10		M5				
7	82460025402	CATCH	1						
8	80175305010	SCREW,MACHINE	4		M5X10				
9	90201200500	NUT	8		M5				
10	82460015102	STOPPER	1						
11	80172305010	SCREW,MACHINE	10		M5X10				
12	90303070601	WASHER,PLAIN	6		6				
13	90303070501	WASHER,PLAIN	2		5				
14	42500582500	COVER	1						
100	42500582101	COVER	1						

**AT-110-5 42084540131 UPPER,LOWER,ISUZU TKG-NKR85AN-EE5AHY-JM**

Pos No.	Parts No	Parts Name	Qty	Unit	Technical Data	Serial No (Start)	Serial No (End)	Remarks	Pages
1	42715440100	HARNESS	1						000218
2	82420809512	TRIM	1	M		HK1729			

# AT-110-5 42084540131 UPPER,LOWER,ISUZU TKG-NKR85AN-EE5AHY-JM

Pos No.	Parts No	Parts Name	Qty	Unit	Technical Data	Serial No (Start)	Serial No (End)	Remarks
1	42501251000	LAMP ASSY (HALOGEN)	1					
2	42508702100	SUPPORT	1				HK0578	
3	42501070010	HARNESS	1					
4	90813108016	BOLT,WING	1		M8X16			
5	90201200600	NUT	4		M6		HK0578	
	90201200600	NUT	2		M6	HK0579		
6	90302040601	WASHER,SPRING	4		6		HK0578	
	90302040601	WASHER,SPRING	2		6	HK0579		
7	82100002006	CLAMP	1		WR10			
8	91810130240	FASTENER	5					
9	90101206016	BOLT	1		M6X16			
10	82100002035	CLAMP	1		WE8			
11	42508702200	HARNESS	1					
12	90201200800	NUT	2		M8	HK0579		
13	90302040801	WASHER,SPRING	2		8	HK0579		
22	42508702101	SUPPORT	1			HK0579		
31	82199100032	LAMP	1					
32	90101212020	BOLT	1		M12X20			
33	90302041201	WASHER,SPRING	1		12			
34	37000179070	PIN	1					
35	80620210160	PIN,SNAP	1					
51	82100002850	LENS	1					
52	82100005003	BULB,LAMP	1		24V 55W ÈÙ'pÝ			

# AT-110-5 42084540131 UPPER,LOWER,ISUZU TKG-NKR85AN-EE5AHY-JM

Pos No.	Parts No	Parts Name	Qty	Unit	Technical Data	Serial No (Start)	Serial No (End)	Remarks	Pages
1	42502381300	SUPPORT	1						
2	42508702101	SUPPORT	1						
3	42356280010	HARNESS	1						00018
4	90813108016	BOLT,WING	1		M8X16				
5	82100001822	FASTENER	1						
7	90201200600	NUT	2		M6				
8	90302040601	WASHER,SPRING	2		6				
9	82100002006	CLAMP	1		WR10				
10	91810130240	FASTENER	5						
11	82119434100	CONNECTOR	1						
12	80175304016	SCREW,MACHINE	2		M4X16				
13	42477640080	PLATE,NAME	1						
14	42508140100	HARNESS	1						00015
15	42502381100	LAMP ASSY	1						
16	42501791000	SUPPORT ASSY	1						
17	90201200800	NUT	2		M8				
18	90302040801	WASHER,SPRING	2		8				
19	82100002035	CLAMP	1		WE8				
20	90101206020	BOLT	1		M6X20				
41	82199100032	LAMP	1						
42	90101212020	BOLT	1		M12X20				
43	90302041201	WASHER,SPRING	1		12				
44	37000179070	PIN	1						
61	42501692100	SUPPORT	1						
62	42501791100	SUPPORT	1						
63	82430138010	KNOB	2						
64	90813110016	BOLT,WING	1						
65	90101208030	BOLT	2		M8X30				
66	90303070801	WASHER,PLAIN	2		8				
67	37000506550	PLATE	2		T=1.6				
68	90302040801	WASHER,SPRING	2		8				
81	82100002850	LENS	1						
82	82100005003	BULB,LAMP	1		24V 55W ÈÙ'pÝ				

**AT-110-5 42084540131 UPPER,LOWER,ISUZU TKG-NKR85AN-EE5AHY-JM**

Pos No.	Parts No	Parts Name	Qty	Unit	Technical Data	Serial No (Start)	Serial No (End)
1	42839551040	LOCK ASSY (U9SL99-2,ASSY ONLY)	2				
2	82460027205	HANDLE	2				

**AT-110-5 42084540131 UPPER,LOWER,ISUZU TKG-NKR85AN-EE5AHY-JM**

Pos No.	Parts No	Parts Name	Qty	Unit	Technical Data	Serial No (Start)	Serial No (End)
1	42839551090	LOCK ASSY (U9SL99-2,ASSY ONLY)	2				
2	82460027210	HANDLE	2				

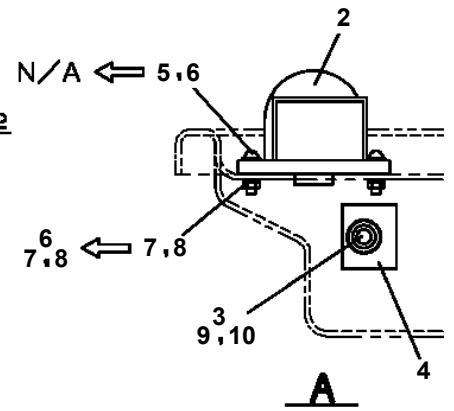
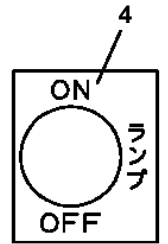
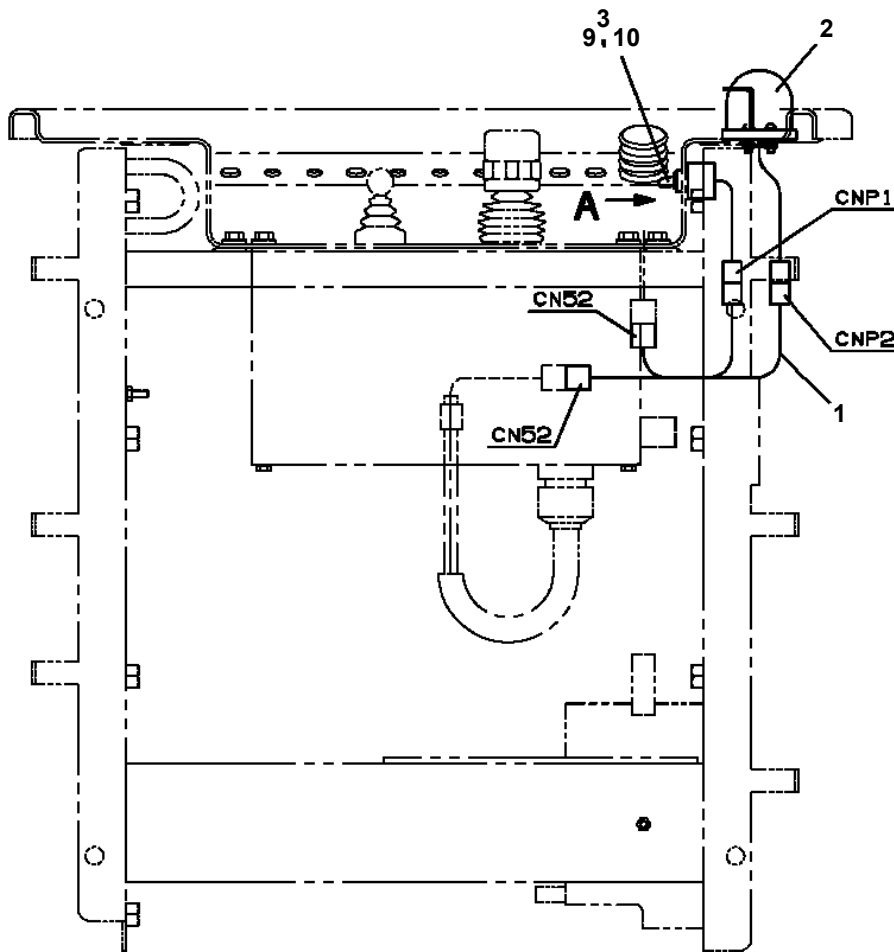
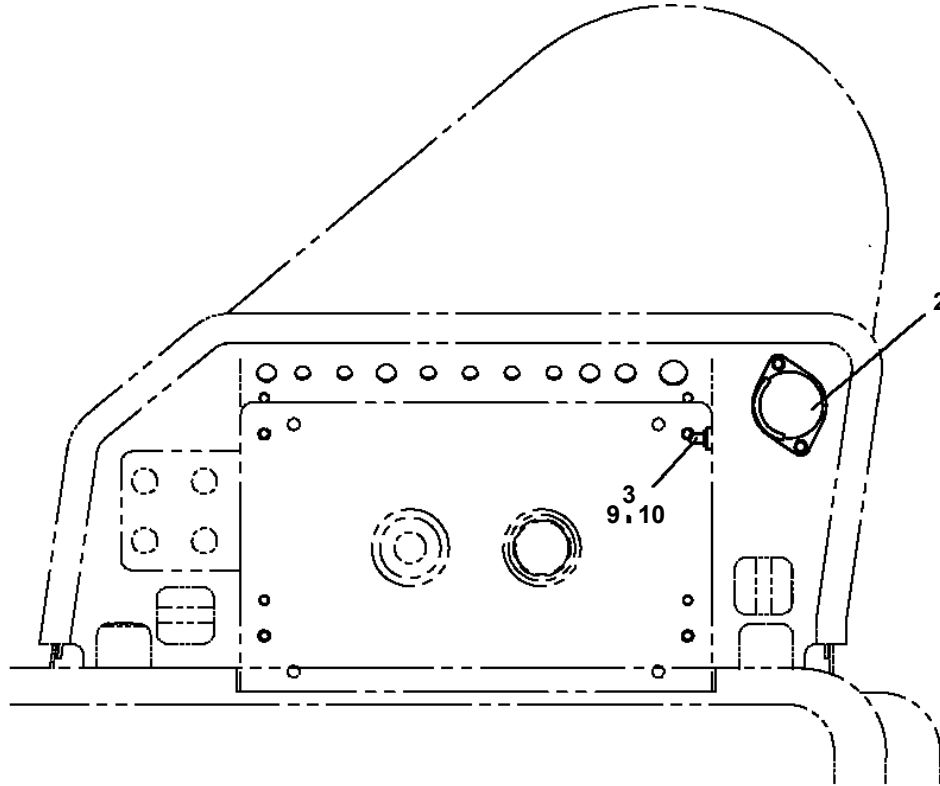
**AT-110-5 42084540131 UPPER,LOWER,ISUZU TKG-NKR85AN-EE5AHY-JM**

Pos No.	Parts No	Parts Name	Qty	Unit	Technical Data	Serial No (Start)	Serial No (End)	Remarks	Pages
1	42837370510	SUPPORT	3						
	42837370510	SUPPORT	3						
2	90101208020	BOLT	1		M8X20				
	90101208020	BOLT	1		M8X20				

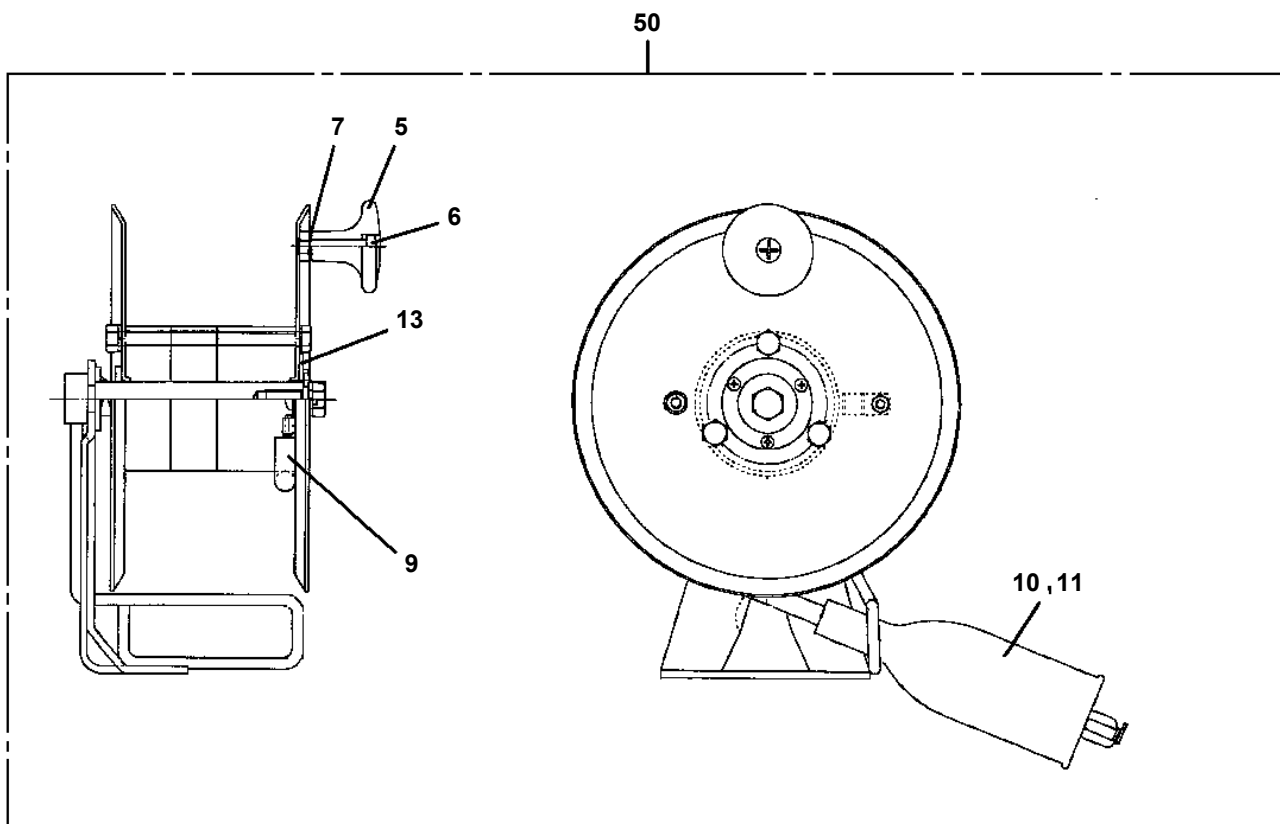
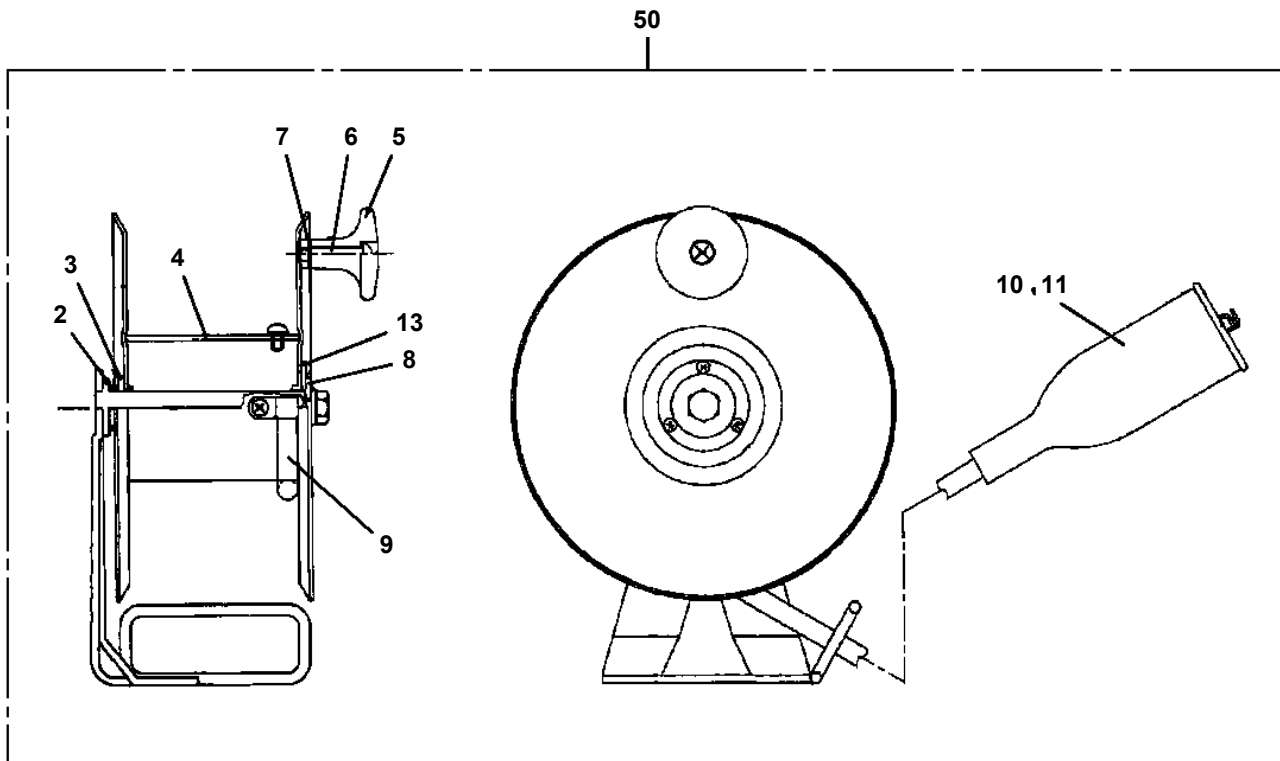
**AT-110-5 42084540131 UPPER,LOWER,ISUZU TKG-NKR85AN-EE5AHY-JM**

Pos No.	Parts No	Parts Name	Qty	Unit	Technical Data	Serial No (Start)	Serial No (End)	Remarks
1	42510162102	SUPPORT ASSY	1				HK1784	
	42510162103	SUPPORT ASSY	1			HK1785		
6	90302040801	WASHER,SPRING	2		8			
8	90172110025	BOLT,HEXAGON SOCKET	1		M10X25			
9	42510162200	SUPPORT	1					
10	90101208018	BOLT	2		M8X18			
11	90303070801	WASHER,PLAIN	2		8			
12	90201200800	NUT	2		M8			

AT-110-5 42084540131 UPPER,LOWER,ISUZU TKG-NKR85AN-EE5AHY-JM  
PN1080274-03 LAMP (LIGHTING/UPPER CONTROLS)



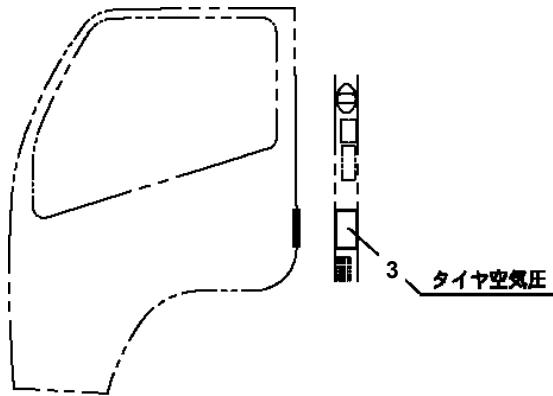
AT-110-5 42084540131 UPPER,LOWER,ISUZU TKG-NKR85AN-EE5AHY-JM  
PN1350027-01 REEL,CORD



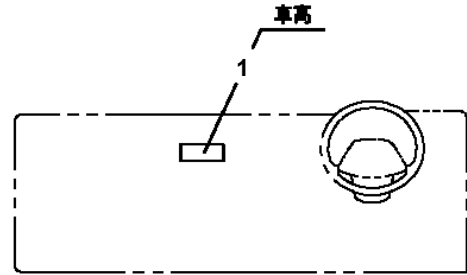
# AT-110-5 42084540131 UPPER,LOWER,ISUZU TKG-NKR85AN-EE5AHY-JM

Pos No.	Parts No	Parts Name	Qty	Unit	Technical Data	Serial No (Start)	S
1	42392350070	PLATE,CAUTION	2				
2	42397401080	PLATE,CAUTION (PREOPERATION CHECK)	2				
3	42397401210	PLATE,NAME (TOOL BOX)	4				
4	31397731040	PLATE,CAUTION	2				
5	42397982020	PLATE,NAME (EMERGENCY PUMP OPERATION)	4				
6	42397401020	PLATE,CAUTION (EMERGENCY SWITCH)	2				
7	42393891090	PLATE,CAUTION	2				
8	42397401050	PLATE,NAME (EMERGENCY STOP OPERATION)	2				
9	37002226530	PLATE,NAME	2				
10	37002212700	PLATE,NAME	2				
11	42590221040	PLATE,NAME (BOOM OPERATION)	4				
12	42391720040	PLATE,CAUTION	2				
13	42397401200	PLATE,NAME (CAUTION FOR TRAVELING)	4				
14	42397401060	PLATE,CAUTION (BUCKET HORIZONTAL ADJUST)	2				
15	42590591010	PLATE,NAME	2				
16	12117140000	PLATE,NAME (GREASE)	22				
17	42590591020	PLATE,NAME (VEHICLE BATTERY MONITOR)	2				
18	42394441050	PLATE,CAUTION	2				
19	42331782100	PLATE,NAME	2				

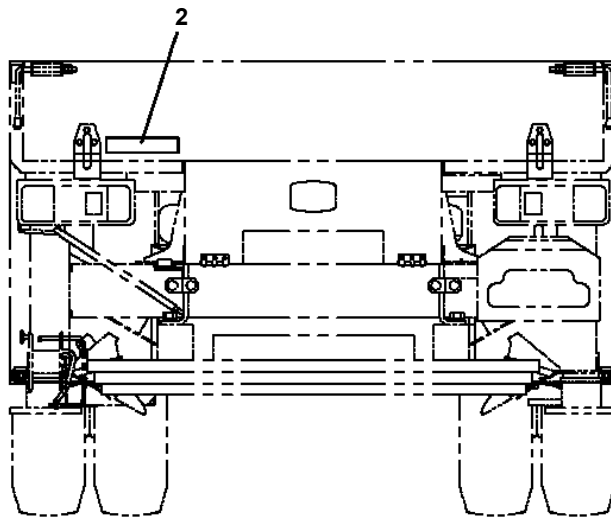
AT-110-5 42084540131 UPPER,LOWER,ISUZU TKG-NKR85AN-EE5AHY-JM  
 PN5010707-00 NAME PLATE ASSY (VEHICLE HEIGHT, CAPACITY,AIR PRESSURE)



ドア内側参考貼付位置



インパネ部参考貼付位置



1  
 車高 2.8 m

2  
 最大積載量 500Kg

3

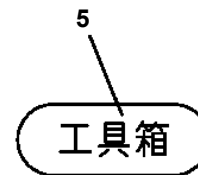
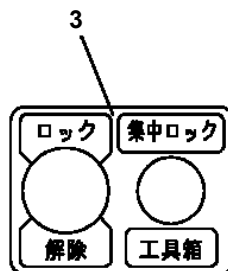
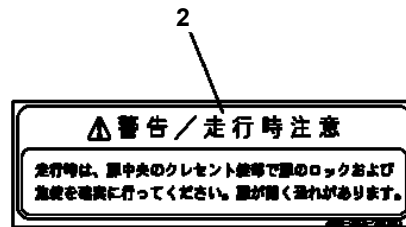
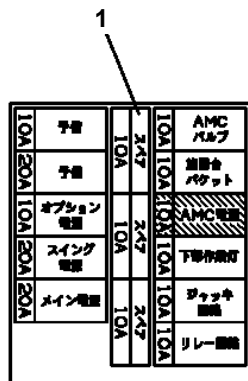
タイヤ空気圧 kPa (kg/cm <sup>2</sup> )		
タイヤサイズ	前輪	後輪
195/85R16	600	600
114/112L	(6.00)	(6.00)
205/80R17.5	600	600
120/118L	(6.00)	(6.00)
205/85R16	600	600
117/115L	(6.00)	(6.00)
215/70R17.5	775	775
123/121J	(7.75)	(7.75)
215/85R16	600	600
120/118L	(6.00)	(6.00)
225/75R16	600	600
118/116L	(6.00)	(6.00)
225/85R16	600	600
121/119L	(6.00)	(6.00)
225/80R17.5	700	700
123/122L (14PRL)	(7.00)	(7.00)
7.00-16-12PRL	575	575
	(5.75)	(5.75)
7.50-16-10PRL	525	525
	(5.25)	(5.25)
7.50-16-12PRL	600	600
	(6.00)	(6.00)
7.50-16-14PRL	650	650
	(6.50)	(6.50)
7.50R16-12PRL	650	650
	(6.50)	(6.50)
7.50R16-14PRL	700	700
	(7.00)	(7.00)

0 以上の値を維持してください。  
 370-022-24480

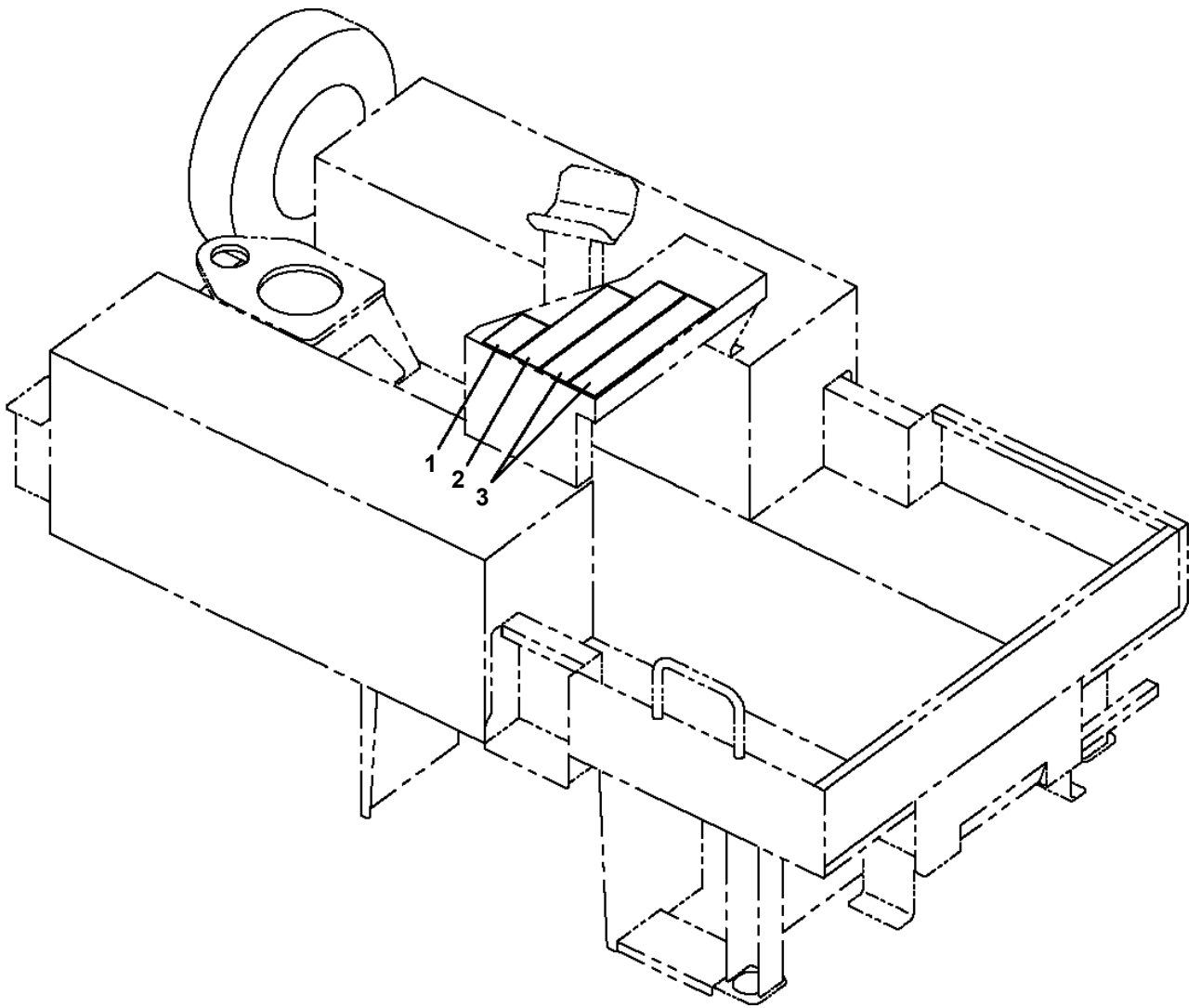
**AT-110-5 42084540131 UPPER,LOWER,ISUZU TKG-NKR85AN-EE5AHY-JM**

Pos No.	Parts No	Parts Name	Qty	Unit	Technical Data	Serial No (Start)	Serial No (End)	Remark
1	42392350070	PLATE,CAUTION	1					
2	42391163120	PLATE,NAME	3					
3	42508786010	PLATE,NAME	1					
4	42504804040	PLATE,NAME	1					
5	42507126010	PLATE,NAME	2					
6	42900750300	PLATE,NAME	1					
7	42392655030	PLATE,CAUTION	1					
8	42393400080	PLATE,CAUTION	1					
9	42394925030	PLATE,NAME	1					
10	42393204010	PLATE,NAME	1					
11	42394581010	PLATE,NAME	1					
12	42508786030	PLATE,NAME	1					
13	42508786020	PLATE,NAME	1					
14	42507126050	PLATE,NAME	1					
15	42507126060	PLATE,NAME	1					
16	42507126070	PLATE,NAME (AUTO MODE)	1					

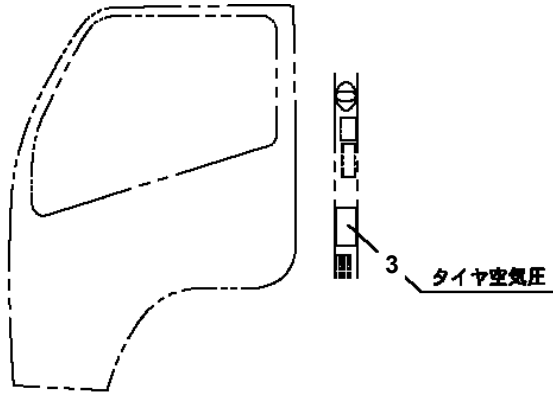
AT-110-5 42084540131 UPPER,LOWER,ISUZU TKG-NKR85AN-EE5AHY-JM  
 PN5011063-00 NAME PLATE ASSY (TOOL BOX CENTRAL LOCK)



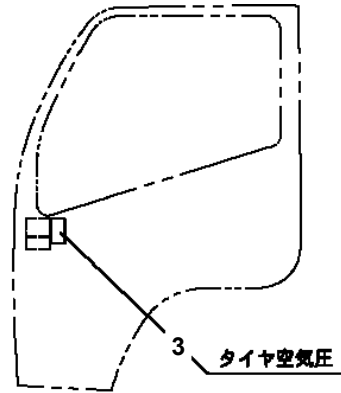
**AT-110-5 42084540131 UPPER,LOWER,ISUZU TKG-NKR85AN-EE5AHY-JM  
PN5011255-00 NAME PLATE ASSY (NON-SLIP)**



AT-110-5 42084540131 UPPER,LOWER,ISUZU TKG-NKR85AN-EE5AHY-JM  
 PN5011666-00 NAME PLATE ASSY (HEIGHT,CAPACITY,AIR/MITSUBISHI)

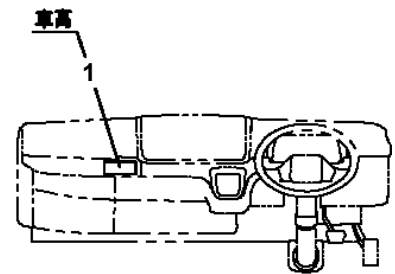
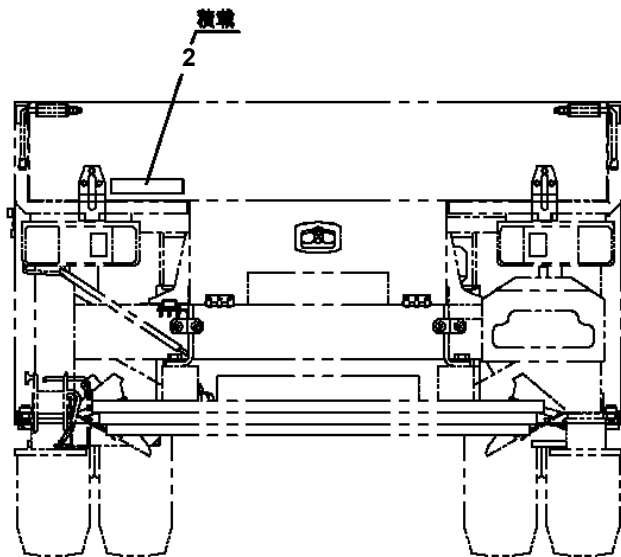


右側ドアを開いた状態のキャブ側面部



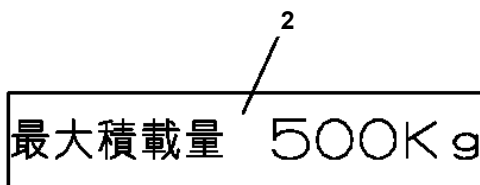
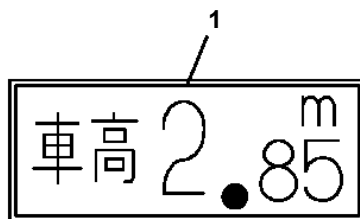
右側ドア部  
 (右側ドアを開いた状態のキャブ側面部に  
 貼り付けスペースがない場合)

TPG車, 三菱標準キャブ車



インパネ部

TPG車, 三菱標準キャブ車

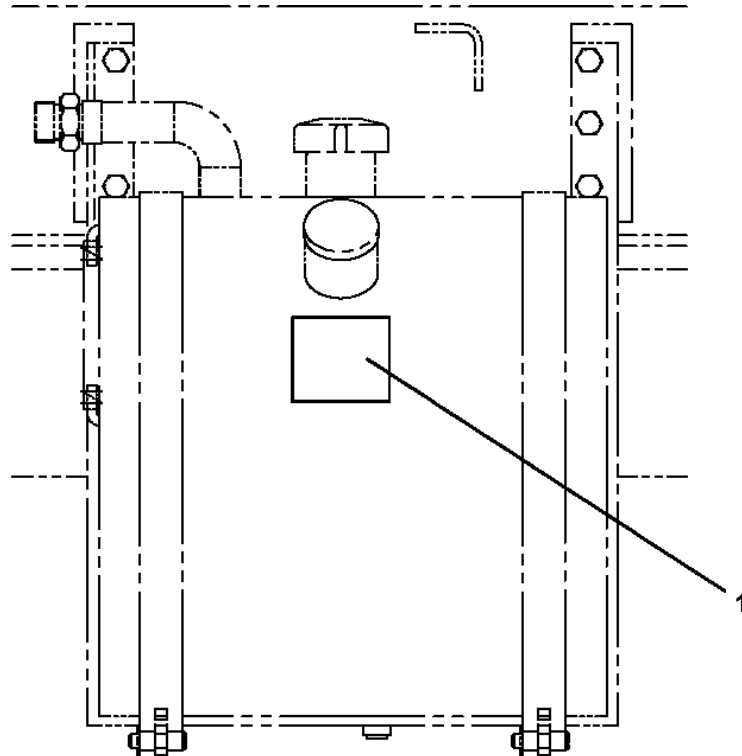


3

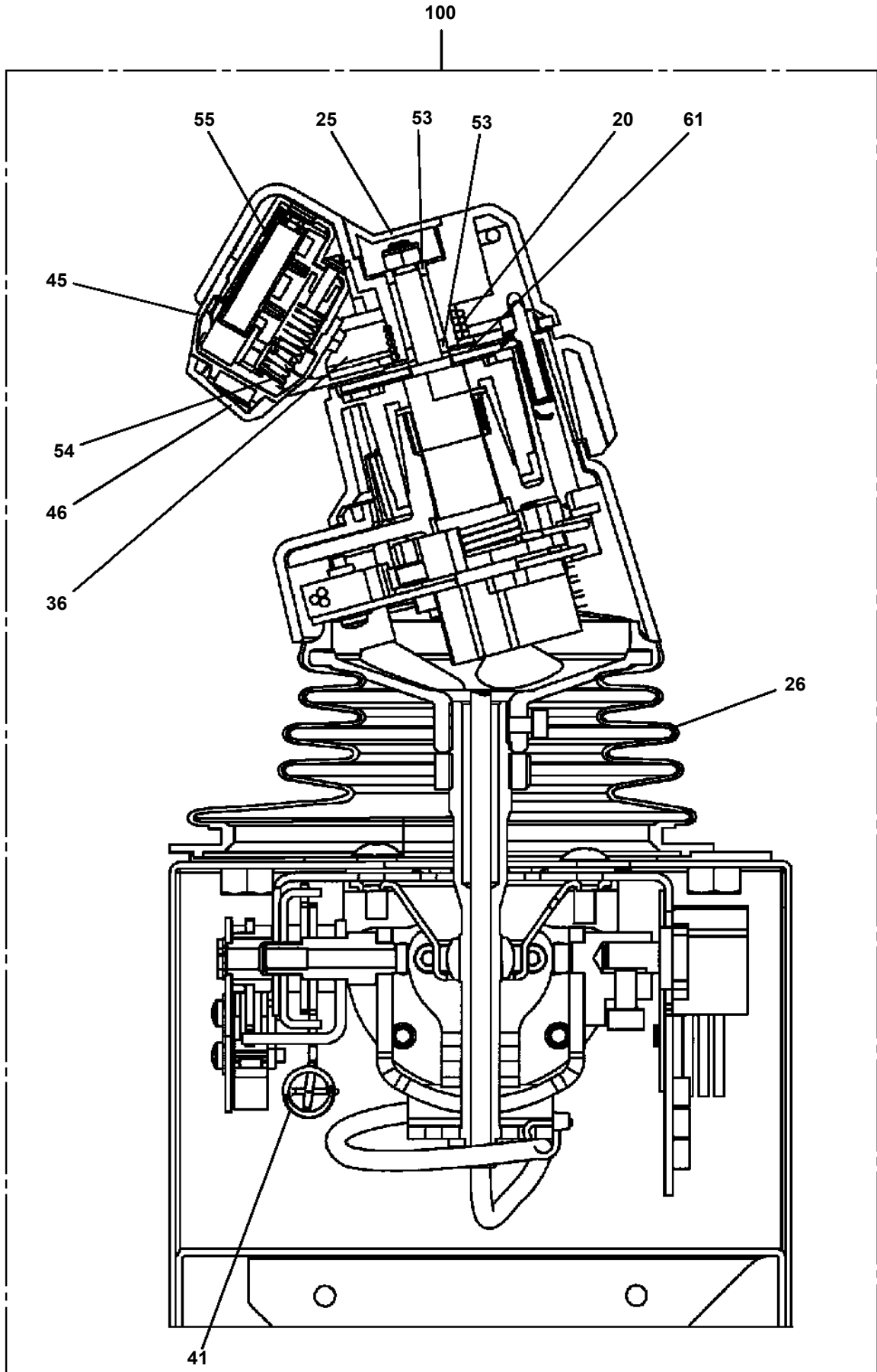
タイヤサイズ	タイヤ空気圧 kPa (kgf/cm <sup>2</sup> )	
	前輪	後輪
195/85R16	600	600
114/112L	(6.00)	(6.00)
205/80R17.5	600	600
120/118L	(6.00)	(6.00)
205/85R16	600	600
117/115L	(6.00)	(6.00)
215/70R17.5	775	775
123/121J	(7.75)	(7.75)
215/85R16	600	600
120/118L	(6.00)	(6.00)
225/75R16	600	600
118/116L	(6.00)	(6.00)
225/85R16	600	600
121/119L	(6.00)	(6.00)
225/80R17.5	700	700
123/122L (14PRL)	(7.00)	(7.00)
7.00-16-12PRL	575 (5.75)	575 (5.75)
7.50-16-10PRL	525 (5.25)	525 (5.25)
7.50-16-12PRL	600 (6.00)	600 (6.00)
7.50-16-14PRL	650 (6.50)	650 (6.50)
7.50R16-12PRL	650 (6.50)	650 (6.50)
7.50R16-14PRL	700 (7.00)	700 (7.00)

○ 上記の空気圧を厳守してください。  
 370-022-24480

AT-110-5 42084540131 UPPER,LOWER,ISUZU TKG-NKR85AN-EE5AHY-JM  
PO1014634-01 PLATE ASSY,NAME (OIL/COLD DISTRICT)



AT-110-5 42084540131 UPPER,LOWER,ISUZU TKG-NKR85AN-EE5AHY-JM  
PO5010027-02 OPE.ASSY (LEVER,CONTROL)



# AT-110-5 42084540131 UPPER,LOWER,ISUZU TKG-NKR85AN-EE5AHY-JM

Pos No.	Parts No	Parts Name	Qty	Unit	Technical Data	Serial No (Start)	Serial No (End)
1	42333021100	PANEL	1				HK2902
	42333021101	PANEL	1			HK2903	
2	42332892002	OPE.ASSY	1				
3	42809631200	LAMP ASSY (RED,WITH HARNESS)	2				
4	42332521300	SWITCH ASSY (WITH HARNESS)	1				
5	37002709630	HARNESS	1				
6	42333461100	SWITCH ASSY (WITH HARNESS,3 SW)	1				
7	90183108020	BOLT	8		M8X20		
8	37000568770	PLATE	N		T=1.5		
9	82199514013	CAP	2				
10	82199504017	NUT	3		AT-401N		
11	37000714020	CLAMP ASSY	1		12X2		
12	82100002012	CLAMP	1		WR18		
13	90201200600	NUT	2		M6		
14	90302040601	WASHER,SPRING	2		6		
15	90280200600	NUT,FLANGE	1		M6		
16	90303070601	WASHER,PLAIN	2		6		
17	42350250150	PLUG (6 POLES,MALE)	1				
18	82199504064	CAP	1				
19	42350250080	PLUG (3 POLES,MALE)	2				
20	91810130240	FASTENER	10				
21	42333081100	HARNESS	1				
22	42332521500	HARNESS	1				
23	82100002014	CLAMP	1		WR20		
24	42900001200	COVER	1				
25	82467300103	PLUG	2				
26	82467300105	PLUG	2				
27	82199504018	WASHER	3				
28	42653673200	LAMP ASSY (GREEN,WITH HARNESS)	1				
29	42350250090	PLUG (4 POLES,MALE)	1				
30	91810132530	FASTENER	2			HK0749	
41	42355641010	COVER	1				
51	42355641210	BUTTON	1				

# AT-110-5 42084540131 UPPER,LOWER,ISUZU TKG-NKR85AN-EE5AHY-JM

Pos No.	Parts No	Parts Name	Qty	Unit	Technical Data	Serial No (Start)	Serial No (End)	Remarks
1	42614961101	SUPPORT	1					
2	36037260000	CYLINDER ASSY,JACK	1					
3	37000163600	PIN	1					
4	80601110300	RING,RITAINING	2		S30			
5	90302041201	WASHER,SPRING	2		12			
6	90171112035	BOLT	2		M12X35			
7	90201781200	NUT	2		M12			
8	36625740001	VALVE,CHECK	1					
9	901711108055	BOLT	4		M8X55			
10	80400160127	JOINT	2					
11	37002486940	HOSE	2		L=750			
12	91803601200	CLIP	1		D=90-120			
13	42614520010	PLATE	1		T=5			
14	36672630000	FILTER (WITH O-RING)	1					
15	91002801100	O-RING	2		1B P11			
16	42614000060	PLATE	1		T=12			
17	42614520300	FLOAT (PLATE WORKING)	1					
	42614520500	FLOAT (STEEL CAST)	1					
18	90172110020	BOLT,HEXAGON SOCKET	2		M10X20			
19	80320020075	FITTING	2		KUF12-020N			
20	82100001412	TUBE,SPIRAL	2	M	SE-12BK			
21	82400000205	GROMMET	1					
41	91002801100	O-RING	1		1B P11			
100	42614961001	OUTRIGGER ASSY	1					

# AT-110-5 42084540131 UPPER,LOWER,ISUZU TKG-NKR85AN-EE5AHY-JM

Pos No.	Parts No	Parts Name	Qty	Unit	Technical Data	Serial No (Start)	Serial No (End)	Remarks
1	42615181100	SUPPORT	1					
2	36037260000	CYLINDER ASSY,JACK	1					
3	37000176340	PIN	1					
4	80136380045	PIN,SPLIT	2		8X45			
5	90302041201	WASHER,SPRING	2		12			
6	90171112035	BOLT	2		M12X35			
7	90201781200	NUT	2		M12			
8	36625740001	VALVE,CHECK	1					
9	90171108055	BOLT	4		M8X55			
10	80400160127	JOINT	2					
11	37002486940	HOSE	2		L=750			
12	91803601200	CLIP	1		D=90-120			
13	42614520010	PLATE	1		T=5			
14	36672630000	FILTER (WITH O-RING)	1					
15	91002801100	O-RING	2		1B P11			
16	42614000060	PLATE	1		T=12			
17	42614520300	FLOAT (PLATE WORKING)	1					
	42614520500	FLOAT (STEEL CAST)	1					
18	90172110020	BOLT,HEXAGON SOCKET	2		M10X20			
19	80320020075	FITTING	2		KUF12-020N			
20	82100001412	TUBE,SPIRAL	2	M	SE-12BK			
21	82400000205	GROMMET	1					
44	91002801100	O-RING	1		1B P11			
100	42615181000	OUTRIGGER ASSY	1					

# AT-110-5 42084540131 UPPER,LOWER,ISUZU TKG-NKR85AN-EE5AHY-JM

Pos No.	Parts No	Parts Name	Qty	Unit	Technical Data	Serial No (Start)	Serial No (End)
1	42508701010	PLATE,NAME (AC100V,FUSE,15A)	1				
2	42474471150	HOLDER ASSY(FUSE,WITH HARNESS)	2				
3	42508701100	BOX ASSY	1				
4	42477640090	PLATE,NAME (AC100V)	1				
5	90180208025	BOLT,BUTTON	2		M8X25		
6	90240200800	NUT,CAP	2		M8		
7	90302040801	WASHER,SPRING	6		8		
8	90303070801	WASHER,PLAIN	2		8		
9	42508701400	SUPPORT	1				
10	90101208012	BOLT	4		M8X12		
11	91810132530	FASTENER	1				
32	82100001348	FUSE	2		15A,6.5X30		

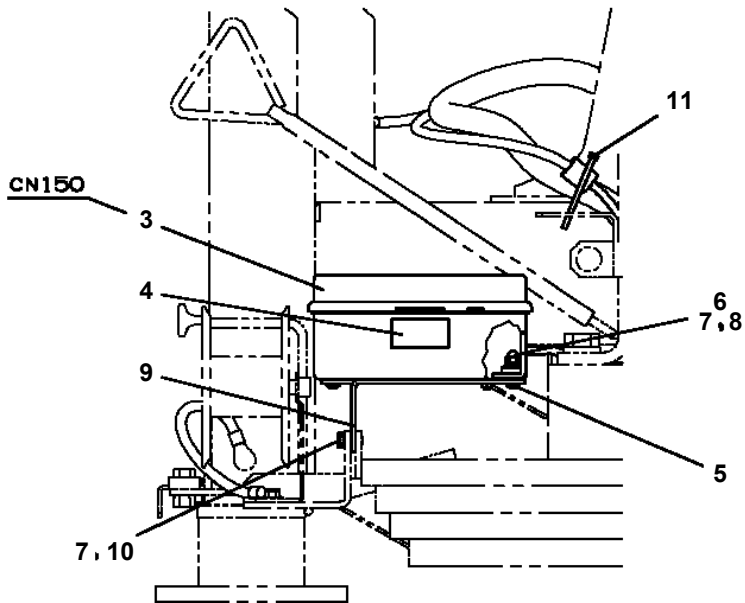
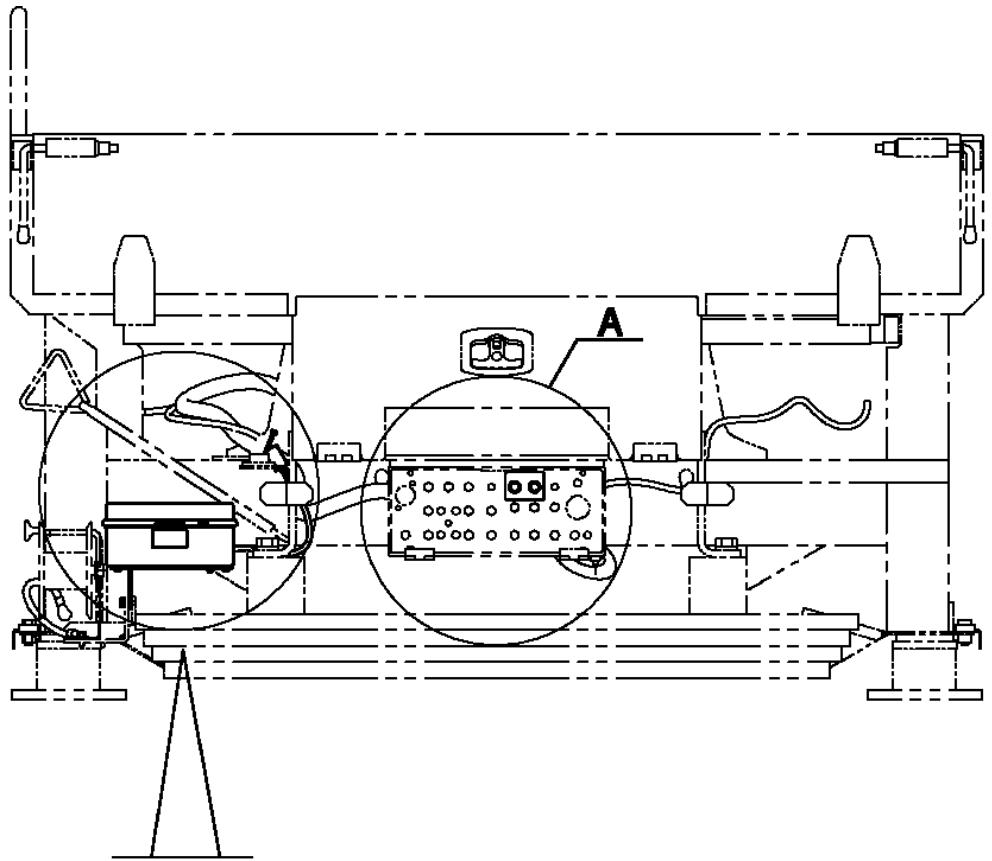
AT-110-5 42084540131 UPPER,LOWER,ISUZU TKG-NKR85AN-EE5AHY-JM  
 PP5340028-00 POWER SUPPLY ASSY,ELECTRICITY

パワーサプライASSY,エレキ(1.5KWインバータ+シヨウブ 100Vコンセントリタシ)  
 POWER SUPPLY ASSY,ELECTRICITY

---

NO.	部品名称/PART NAME	備考/REMARK
1	ランプ ASSY,ワーキング LAMP ASSY,WORKING	ハケット部 (100V 3極コンセント、アース付) (作業灯55W)
2	パワーサプライASSY,エレキ POWER SUPPLY ASSY,ELECTRICITY	下部 (インバータ)
3	パワーサプライASSY,エレキ POWER SUPPLY ASSY,ELECTRICITY	下部 (電源取出:3極コンセント、アース付)
4	モディフィケーション パーツ MODIFICATION PARTS	改造図

AT-110-5 42084540131 UPPER,LOWER,ISUZU TKG-NKR85AN-EE5AHY-JM  
PP5340036-00 POWER SUPPLY ASSY,ELECTRICITY (LOWER,3POLES OUTLET)



4  
AC100V (10A)  
取入口

# AT-110-5 42084540131 UPPER,LOWER,ISUZU TKG-NKR85AN-EE5AHY-JM

Pos No.	Parts No	Parts Name	Qty	Unit	Technical Data	Serial No (Start)	Serial No (End)	Remarks	Pages
1	42508781010	SUPPORT	1						
2	42508781100	BOX ASSY	1						
3	42508781050	SUPPORT	1						
4	34780130300	CUSHION	4						
5	90302041001	WASHER,SPRING	18		10				
6	90201201000	NUT	12		M10				
7	37000568860	PLATE	8						
9	90101210040	BOLT	2		M10X40				
10	90303071001	WASHER,PLAIN	2		10				
11	36654810000	PUMP ASSY,OIL	1						000376
12	37000714030	CLAMP ASSY	1		18X1				
13	90101210016	BOLT	2		M10X16				
14	42421773500	FAN	1						
15	90180104012	BOLT,BUTTON	4		M4X12				
16	90302510401	WASHER,SPRING	4		4				
18	90201500400	NUT	4		M4				
19	80309010105	SLEEVE	1		KK012-000E				
20	80306010105	NUT	1		KKN12-000E				
21	42649300200	CLAMP ASSY	1						
22	82400000377	INSULATOR	4						
23	90101208016	BOLT	8		M8X16				
24	37000549940	PLATE	4		T=3.2				
27	90302040801	WASHER,SPRING	8		8				
30	37000925680	JOINT	1		S,G3/8-G3/8				
31	91002801400	O-RING	2		1B P14				
33	37002503740	HOSE	1		L=280				
34	37000927890	JOINT	1						
35	82100001413	TUBE,SPIRAL	1	M	SE-15BK				
36	80481102030	JOINT	1		L G1/4-G3/8				
37	91002801100	O-RING	1		1B P11				
38	37002459280	HOSE	1		L=1050				
39	37010502170	PLATE	8			HK0974			
51	42508781200	BOX	1						
52	42508781400	COVER	1						
53	42422303500	COVER	1						
54	90101208020	BOLT	4		M8X20				
55	90302040801	WASHER,SPRING	5		8				
56	90101206010	BOLT	4		M6X1.0				
57	90302040601	WASHER,SPRING	6		6				
71	37000711030	CLAMP ASSY	1		22X1				
74	90101206012	BOLT	2		M6X12				
76	82400000401	INSULATOR	1						
77	42649300211	PLATE	1						
81	90102208080	BOLT	1		M8X80				

# AT-110-5 42084540131 UPPER,LOWER,ISUZU TKG-NKR85AN-EE5AHY-JM

Pos No.	Parts No	Parts Name	Qty	Unit	Technical Data	Serial No (Start)	Serial No (End)	Remark
1	80430620400	JOINT	2					
2	80481102030	JOINT	1		L G1/4-G3/8			
3	80320010050	FITTING	2		KUD10-020N			
4	90101208065	BOLT	2		M8X65			
5	90302040801	WASHER,SPRING	10		8		HK0480	
	90302040801	WASHER,SPRING	11		8	HK0481		
8	37000714020	CLAMP ASSY	1		12X2		HK0480	
9	80481302025	JOINT	1		L,G1/4-G1/4			
10	91002801100	O-RING	2		1B P11			
11	91810130240	FASTENER	3					
12	37000300730	SLEEVE	4		18-10			
14	37000601120	CLAMP	4					
15	37000601420	CUSHION	8		18X2			
16	90280200800	NUT,FLANGE	2		M8			
17	90101208075	BOLT	2		M8X75			
19	37002454530	HOSE	1		L=375			
20	37002439300	HOSE	1		L=475			
21	37002412190	HOSE	1		L=400			
22	42347400300	SUPPORT	2					
23	42347400400	SUPPORT	2					
24	42347400500	SUPPORT	1					
25	90101208020	BOLT	6		M8X20			
26	37000908730	JOINT (WITH O-RING)	3		L,G3/8-G1/4			
27	37002416040	HOSE	1		L=780		HK1268	
28	37002450200	HOSE	1		L=750		HK1268	
	37002450200	HOSE	2		L=750	HK1269		
29	37002403320	HOSE	1		L=1400			
30	37002416450	HOSE	1		L=1480			
31	37002415810	HOSE	1		L=1800			
32	37002415820	HOSE	1		L=1730			
33	82100001803	TUBE,CORRUGATE	1	M	13			
34	81408000130	PIPE,STEEL	1	M	10X1.8T			
35	81408000130	PIPE,STEEL	1	M	10X1.8T			
36	81408000130	PIPE,STEEL	1	M	10X1.8T			
37	81408000130	PIPE,STEEL	2	M	10X1.8T			
38	90101208030	BOLT	2		M8X30			
39	37000601410	CUSHION	2			HK0481		
40	37000601110	CLAMP	1			HK0481		
41	90101208035	BOLT	1		M8X35	HK0481		
51	91002801100	O-RING	3		1B P11		HK2026	
	91002801100	O-RING	3		1B P11		HK0656	
	91002801100	O-RING	7		1B P11			
	91002801100	O-RING	3		1B P11	HK0657		
	91002801100	O-RING	3		1B P11	HK2027		
61	36636340000	VALVE,MANUAL CONTROL	2				HK1154	
	36636340001	VALVE ASSY,SELECTOR	2			HK1155		
62	80430620600	JOINT (WITH O-RING)	3		L,G3/8-G3/8			
63	37000925950	JOINT	2		S,G1/4-G1/4			
64	80305131002	FITTING,TEE	2		KTNO010-020N			
66	80316070040	PLUG	2		PF1/4			
83	80481103020	JOINT	1		PF3/8-PF1/4			
87	91002801400	O-RING	7		1B P14			
101	80302090101	FITTING	2		KCO10-020N			
103	36672630000	FILTER (WITH O-RING)	2					
104	36606650000	VALVE,RELIEF	1				HK0656	
105	80400160127	JOINT	1				HK0656	
124	36606970000	VALVE ASSY,RELIEF	1			HK0657		
135	36672460000	FILTER (NIPPLE TYPE)	1			HK0657		

**AT-110-5 42084540131 UPPER,LOWER,ISUZU TKG-NKR85AN-EE5AHY-JM**

Pos No.	Parts No	Parts Name	Qty	Unit	Technical Data	Serial No (Start)	Serial No (End)	Remarks
5	82182819823	DIODE	1		1.5A			
9	34354781710	RELAY (WITH BRACKET)	1					
100	34354781730	RELAY	1					

**AT-110-5 42084540131 UPPER,LOWER,ISUZU TKG-NKR85AN-EE5AHY-JM**

Pos No.	Parts No	Parts Name	Qty	Unit	Technical Data	Serial No (Start)	Serial No (End)	Remarks	Pag
1	42972650100	SUPPORT	1						
2	42972650200	SUPPORT	4				HK0534		
	42972650400	SUPPORT	4			HK0535			
3	42972650300	SEAT	1						
4	80182806012	SCREW,MACHINE	2		M6X12				
5	90302510601	WASHER,SPRING (6)	2						
6	90303520601	WASHER,PLAIN	2		6				

# AT-110-5 42084540131 UPPER,LOWER,ISUZU TKG-NKR85AN-EE5AHY-JM

Pos No.	Parts No	Parts Name	Qty	Unit	Technical Data	Serial No (Start)	Serial No (End)	Remarks	Pages
1	42973353100	SUPPORT	1						
2	42973353200	COVER	2						
3	42973353300	SUPPORT	1						
4	42973353400	SUPPORT	1						
5	42973353500	COVER	1						
6	42973353600	SUPPORT	1						
7	42973353700	COVER	1						
8	90101206012	BOLT	16		M6X12				
9	90302040601	WASHER,SPRING	16		6				
10	90101208014	BOLT	8		M8X14				
11	90302040801	WASHER,SPRING	8		8				
12	90303070801	WASHER,PLAIN	8		8				
33	82400000202	GROMMET	2						
43	82400000201	GROMMET	2		KG-016				

# AT-110-5 42084540131 UPPER,LOWER,ISUZU TKG-NKR85AN-EE5AHY-JM

Pos No.	Parts No	Parts Name	Qty	Unit	Technical Data	Serial No (Start)	Serial No (End)	Remarks	Pages
1	42508262100	PLATE	4						
2	42505936010	PLATE	5						
3	42510162300	SUPPORT	1						
5	42510162450	SUPPORT	1						
6	42510162503	SUPPORT	1						
7	42510162600	COVER	1						
8	90101208016	BOLT	6		M8X16				
9	90302040801	WASHER,SPRING	14		8				
10	90303070801	WASHER,PLAIN	14		8				
11	37010502380	PLATE	1						
12	90813108016	BOLT,WING	8		M8X16				
13	90201200800	NUT	1		M8				
14	42510162700	STEP	1						
15	90101210020	BOLT	4		M10X20				
16	90302041001	WASHER,SPRING	5		10				
17	90303071001	WASHER,PLAIN	5		10				
18	90201201000	NUT	3		M10				
19	90180210025	BOLT,BUTTON	1		M10X25				
49	82400000201	GROMMET	1		KG-016				
100	42510162103	SUPPORT ASSY	1						

**AT-110-5 42084540131 UPPER,LOWER,ISUZU TKG-NKR85AN-EE5AHY-JM**

Pos No.	Parts No	Parts Name	Qty	Unit	Technical Data	Serial No (Start)	Serial No (End)
1	82105210207	SWITCH,TOGGLE	1				
2	82105220193	SWITCH,TOGGLE	1				
3	82105900010	SWITCH,TOGGLE	1				
50	42333461100	SWITCH ASSY (WITH HARNESS,3 SW)	1				

# AT-110-5 42084540131 UPPER,LOWER,ISUZU TKG-NKR85AN-EE5AHY-JM

Pos No.	Parts No	Parts Name	Qty	Unit	Technical Data	Serial No (Start)	Serial No (End)
1	42654873103	PANEL	1				
2	42651591300	SWITCH ASSY (WITH HARNESS,3 SW)	1				
3	42332521300	SWITCH ASSY (WITH HARNESS)	1				
4	42809631200	LAMP ASSY (RED,WITH HARNESS)	5				
5	42651593400	SWITCH ASSY (WITH HARNESS,1 SW)	1				
6	42433932200	SWITCH ASSY (WITH HARNESS,1 SW)	1				
7	42332062500	SWITCH ASSY (WITH HARNESS,1 SW)	1				
8	42433932100	SWITCH ASSY (WITH HARNESS,1 SW)	1				
9	42653673600	SWITCH ASSY (WITH HARNESS,5 SW)	1				
10	82467300103	PLUG	3				
12	82467300105	PLUG	5				
13	82467300114	PLUG	1				
14	82467300101	PLUG	2				
39	42355641010	COVER	1				
41	42355641210	BUTTON	1				
100	42654873004	SWITCH ASSY	1				

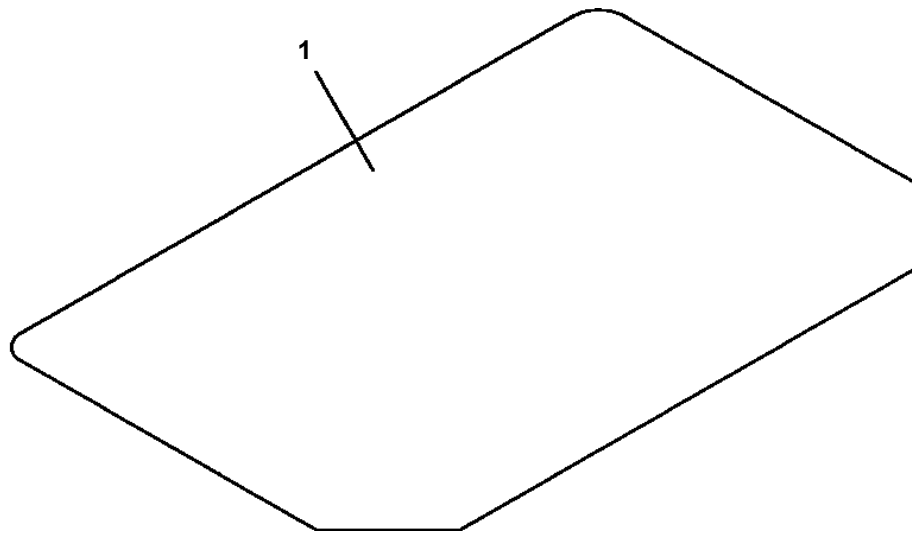
**AT-110-5 42084540131 UPPER,LOWER,ISUZU TKG-NKR85AN-EE5AHY-JM**

Pos No.	Parts No	Parts Name	Qty	Unit	Technical Data	Serial No (Start)	Serial No (End)	Re
1	36018790000	CYLINDER ASSY,TELESCOPING	1					
2	90303071201	WASHER,PLAIN	4		12			
3	90172108065	BOLT,HEXAGON SOCKET	3		M8X65			
4	36605510001	VALVE,COUNTERBALANCE	1					
5	90201201200	NUT	6		M12			
6	90171212080	BOLT	2		M12X80			

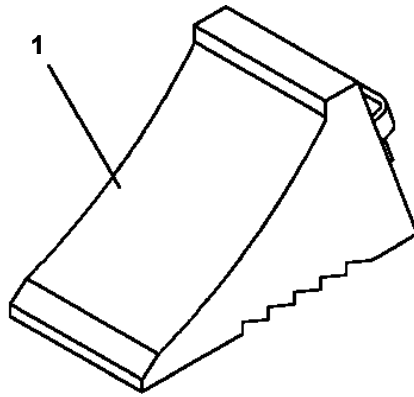
**AT-110-5 42084540131 UPPER,LOWER,ISUZU TKG-NKR85AN-EE5AHY-JM**

Pos No.	Parts No	Parts Name	Qty	Unit	Technical Data	Serial No (Start)	Serial No (End)	Remarks	Page
5	91002902500	O-RING	4		1B G25				
8	80316090020	PLUG	4		KKT PT1/8				
9	36606975020	PLUG	1						
10	91002801400	O-RING	1		1B P14				
12	16066241000	SPRING	1						
100	36606970000	VALVE ASSY,RELIEF	1						

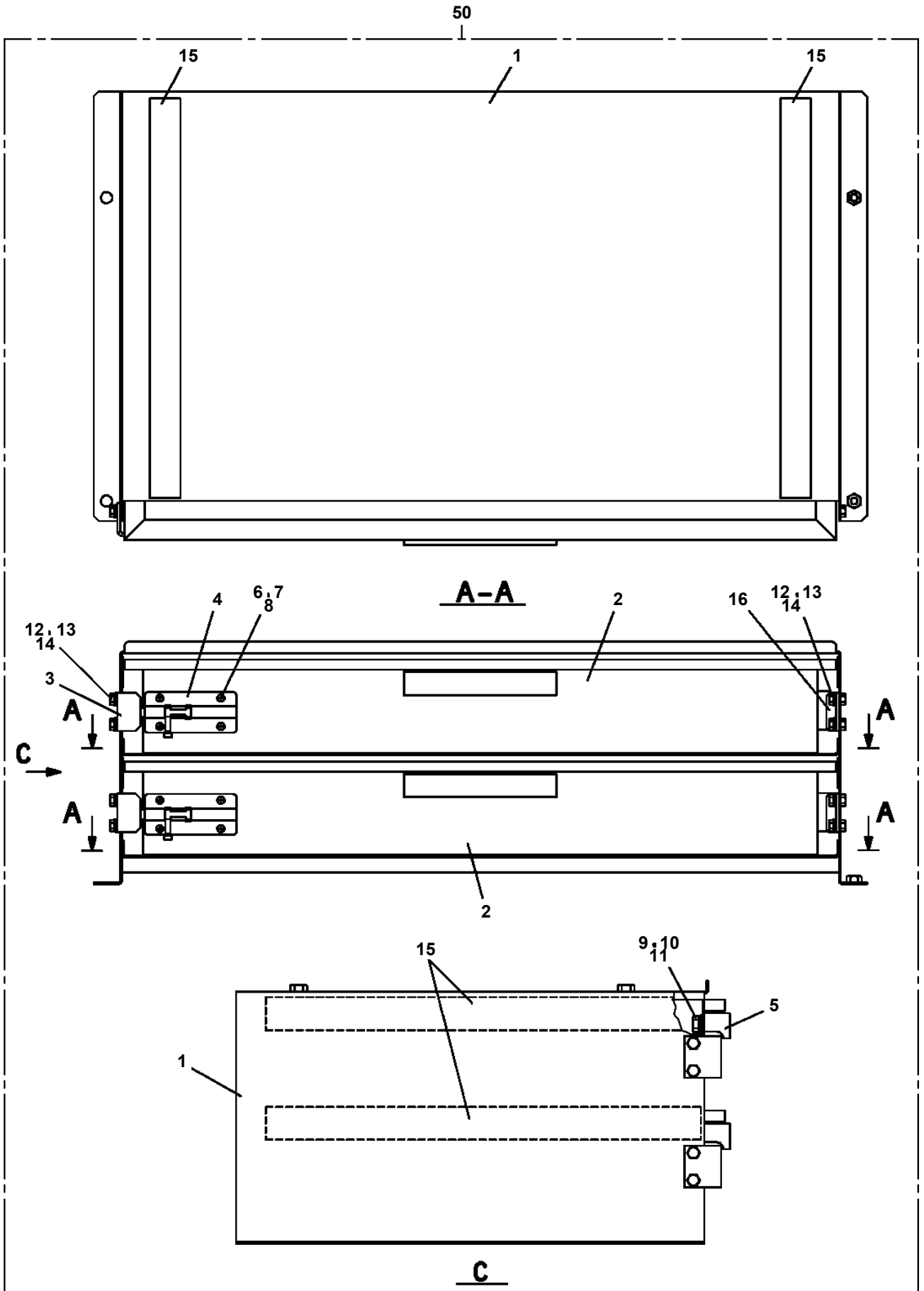
**AT-110-5 42084540131 UPPER,LOWER,ISUZU TKG-NKR85AN-EE5AHY-JM  
PW1010309-00 ACCESSORIES (MAT)**



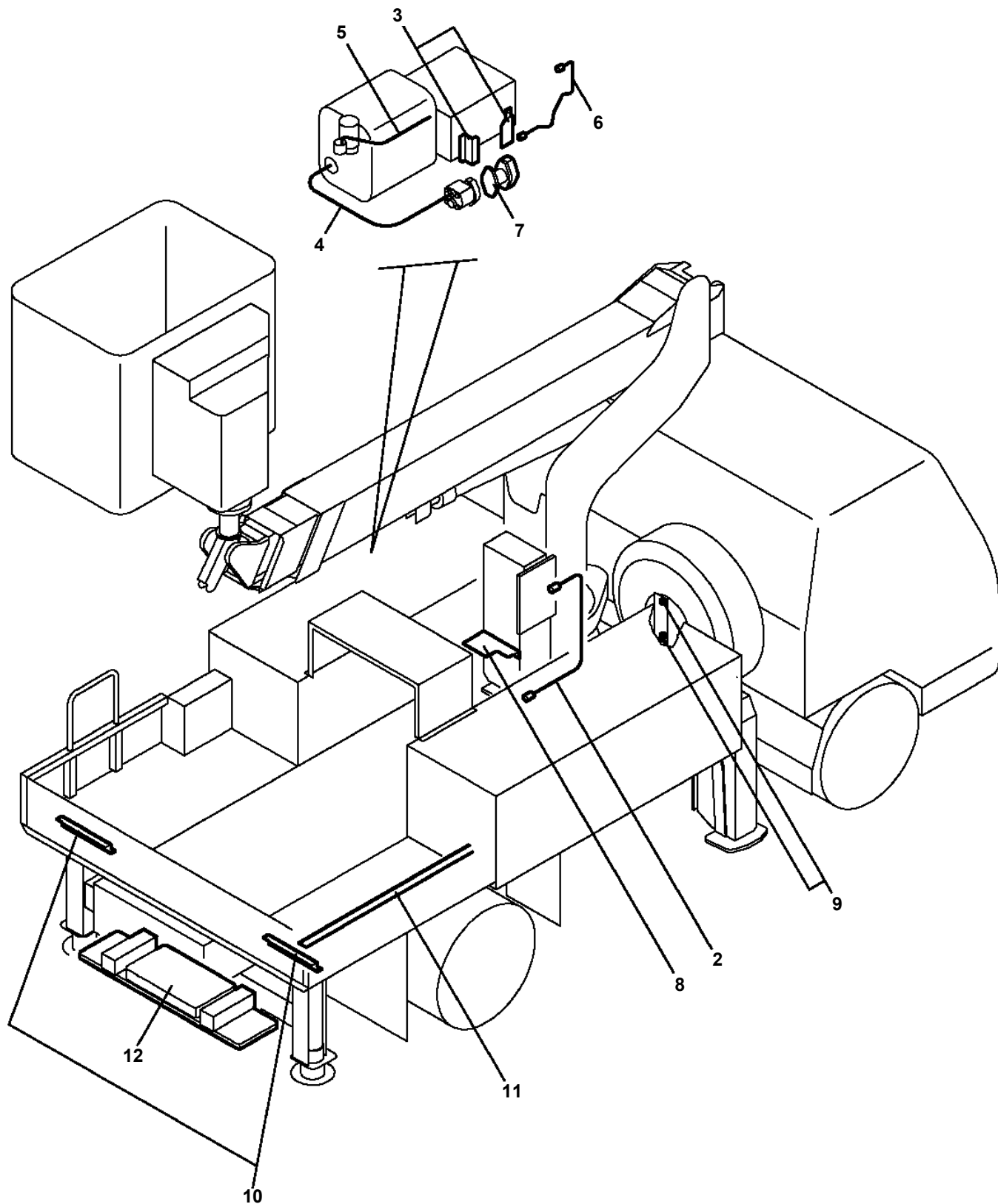
AT-110-5 42084540131 UPPER,LOWER,ISUZU TKG-NKR85AN-EE5AHY-JM  
PW5110002-00 WEDGE (STOPPER FOR TIRE/WAZUMI)



AT-110-5 42084540131 UPPER,LOWER,ISUZU TKG-NKR85AN-EE5AHY-JM  
PX1351188-00 BOX,TOOL



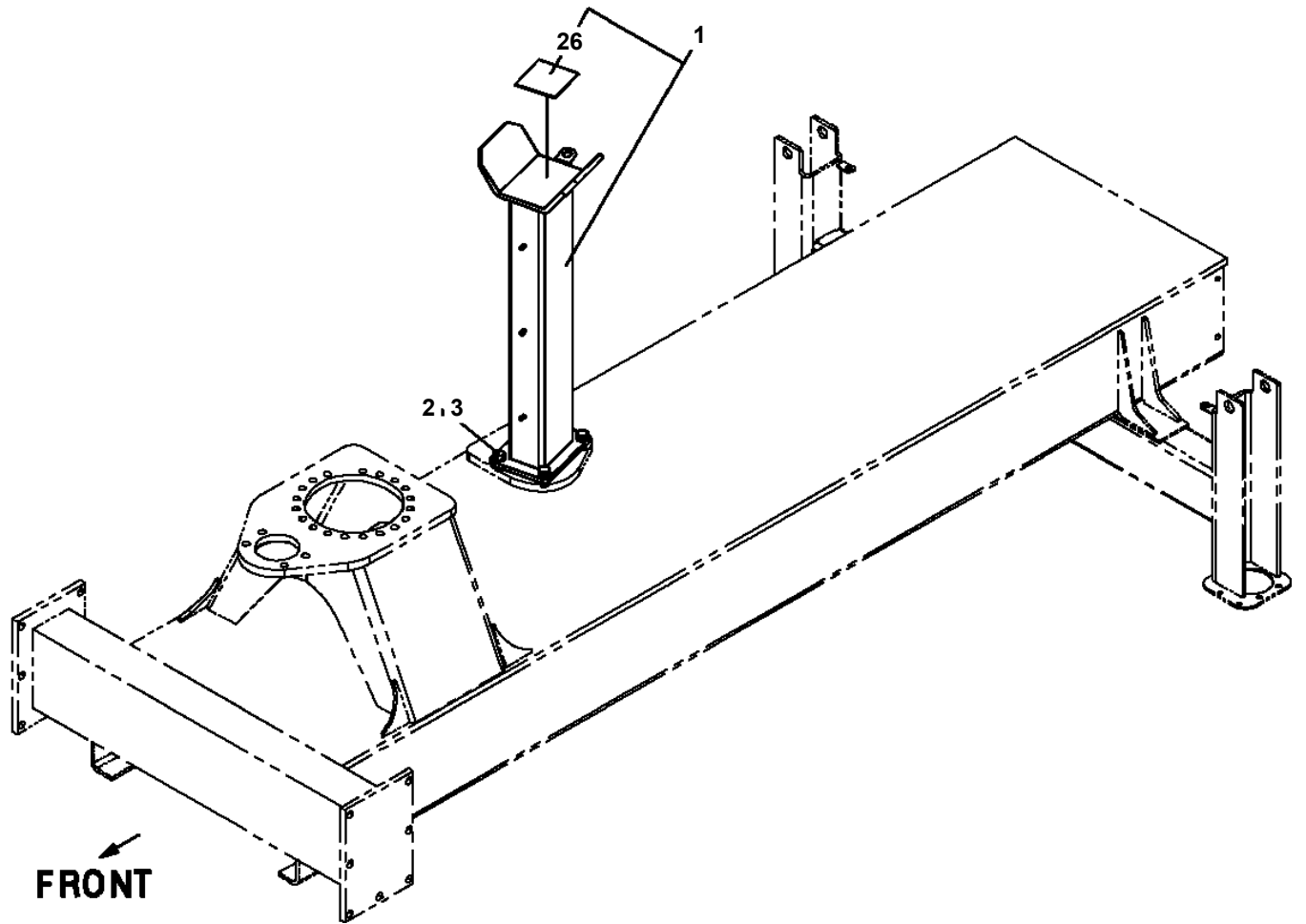
**AT-110-5 42084540131 UPPER,LOWER,ISUZU TKG-NKR85AN-EE5AHY-JM  
PX2001444-00 CARRIER UNIT**



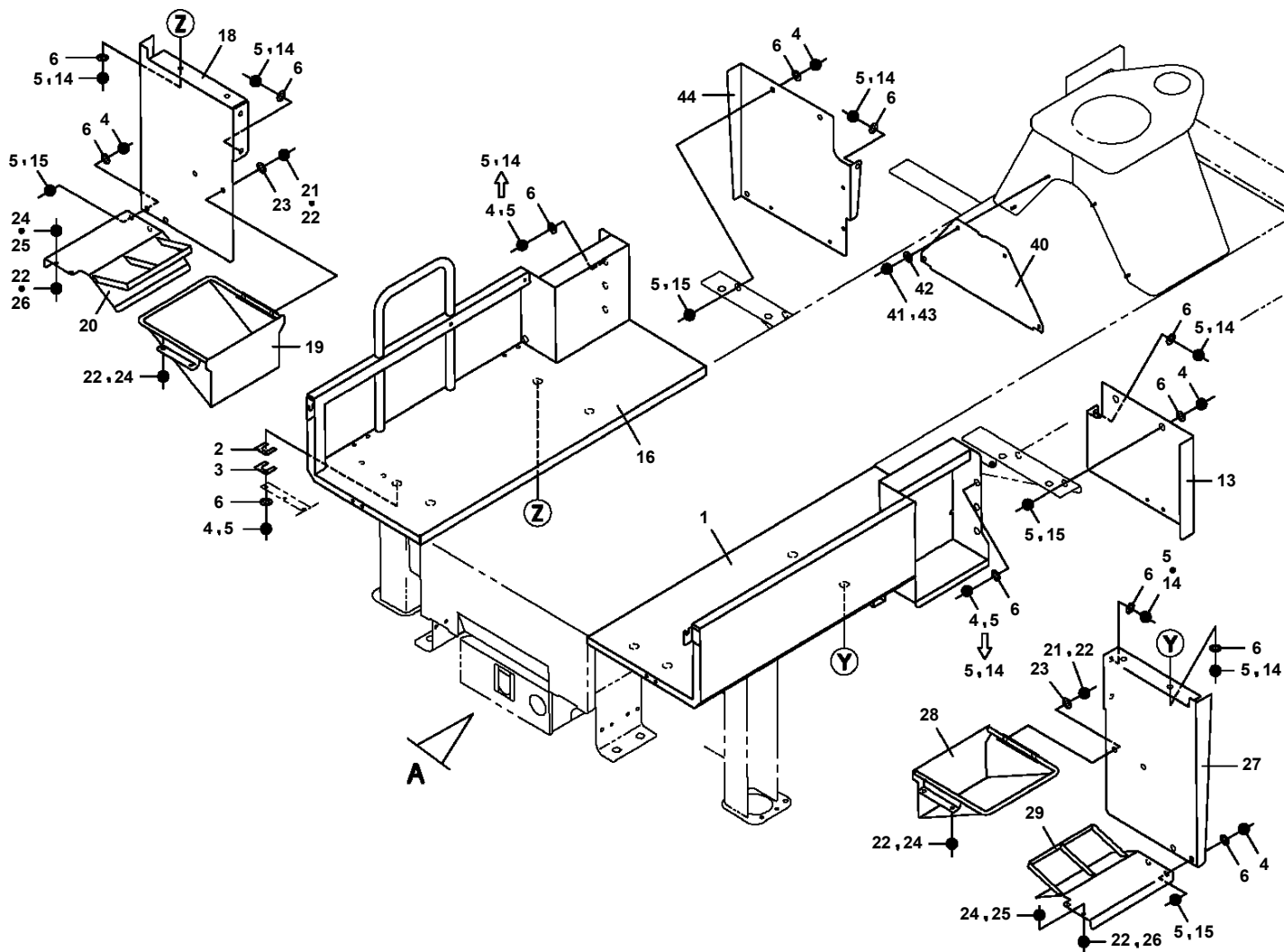
適用製造番号によっては取り付けがないものもあります。

MACHINES OF SOME SERIAL NO. ARE NOT EQUIPPED WITH THESE PARTS.

**AT-110-5 42084540131 UPPER,LOWER,ISUZU TKG-NKR85AN-EE5AHY-JM  
PX5110029-00 MOUNT ASSY,BOOM SUPPORT**



AT-110-5 42084540131 UPPER,LOWER,ISUZU TKG-NKR85AN-EE5AHY-JM  
PX5430012-01 MOUNT ASSY, GUARD



**AT-110-5 42084540131 UPPER,LOWER,ISUZU TKG-NKR85AN-EE5AHY-JM**

Pos No.	Parts No	Parts Name	Qty	Unit	Technical Data	Serial No (Start)	Serial No (End)	Remarks	Pages
1	42393891060	PLATE (NON-SLIP)	1						
2	42508740010	SUPPORT	1						
3	90101210018	BOLT	2		M10X18				
4	90302041001	WASHER,SPRING	2		10				

# AT-110-5 42084540131 UPPER,LOWER,ISUZU TKG-NKR85AN-EE5AHY-JM

Pos No.	Parts No	Parts Name	Qty	Unit	Technical Data	Serial No (Start)	Serial No (End)	Remarks	Pages
1	42902050100	SUPPORT	1						
2	42902050200	SUPPORT	1						
4	91850400601	CLAMP	1						
5	91810132530	FASTENER	10						
6	42900360100	HARNESS	1						
7	90101208016	BOLT	6		M8X16		HK0625		000166
	90101208016	BOLT	2		M8X16	HK0626			
8	90101206020	BOLT	6		M6X20				
9	90302040801	WASHER,SPRING	6		8				
10	90101206016	BOLT	4		M6X16				
11	90201200600	NUT	8		M6				
12	90302040601	WASHER,SPRING	10		6				
13	90303070601	WASHER,PLAIN	8		6				
14	42902050300	SUPPORT	1						
15	90101208014	BOLT	4		M8X14	HK0626			

# AT-110-5 42084540131 UPPER,LOWER,ISUZU TKG-NKR85AN-EE5AHY-JM

Pos No.	Parts No	Parts Name	Qty	Unit	Technical Data	Serial No (Start)	Serial No (End)	Remarks	Pages
1	42839113001	BOX,TOOL	1				HK0751		000039
	42839113002	BOX,TOOL	1			HK0752			000046
2	42839111001	BOX,TOOL	1						000040
3	90101210025	BOLT	8		M10X25				
4	90302041001	WASHER,SPRING	8		10				
5	37000506590	PLATE	12		T=1.6		HK0576		
	37000506590	PLATE	8		T=1.6	HK0577	HK0751		
	37000505950	PLATE	8		T=3.2	HK0752			
6	42839110200	SUPPORT	1						
7	90101208014	BOLT	8		M8X14				
8	42839110100	SUPPORT	2						
11	90302040801	WASHER,SPRING	8		8				
13	37000547660	PLATE	4		T=2.3	HK0577			
31	42398701010	PLATE,CAUTION	2						

CLICK HERE TO **DOWNLOAD** THE COMPLETE MANUAL

- Thank you very much for reading the preview of the manual.
- You can download the complete manual from: [www.heydownloads.com](http://www.heydownloads.com) by clicking the link below



- Please note: If there is no response to CLICKING the link, please download this PDF first and then click on it.

CLICK HERE TO **DOWNLOAD** THE COMPLETE MANUAL