

## **AT-110-4 42084400072 UPPER**

PD2000176-00 SWING UNIT

PG2000223-00 BOOM UNIT

PH1000550-00 SAFETY DEVICES (MOTION CONTROLLER)

PJ3000505-00 BUCKET SYSTEM

PK2000928-00 FRAME UNIT

PO1000171-00 INDICATION PLATES

PW1000118-00 ACCESSORIES & TOOLS

PY1001436-03 OPTIONS,1

PY2000186-00 OPTIONS,2

ASSEMBLY

CLICK HERE TO **DOWNLOAD** THE COMPLETE MANUAL

- Thank you very much for reading the preview of the manual.
- You can download the complete manual from: [www.heydownloads.com](http://www.heydownloads.com) by clicking the link below



- Please note: If there is no response to CLICKING the link, please download this PDF first and then click on it.

CLICK HERE TO **DOWNLOAD** THE COMPLETE MANUAL

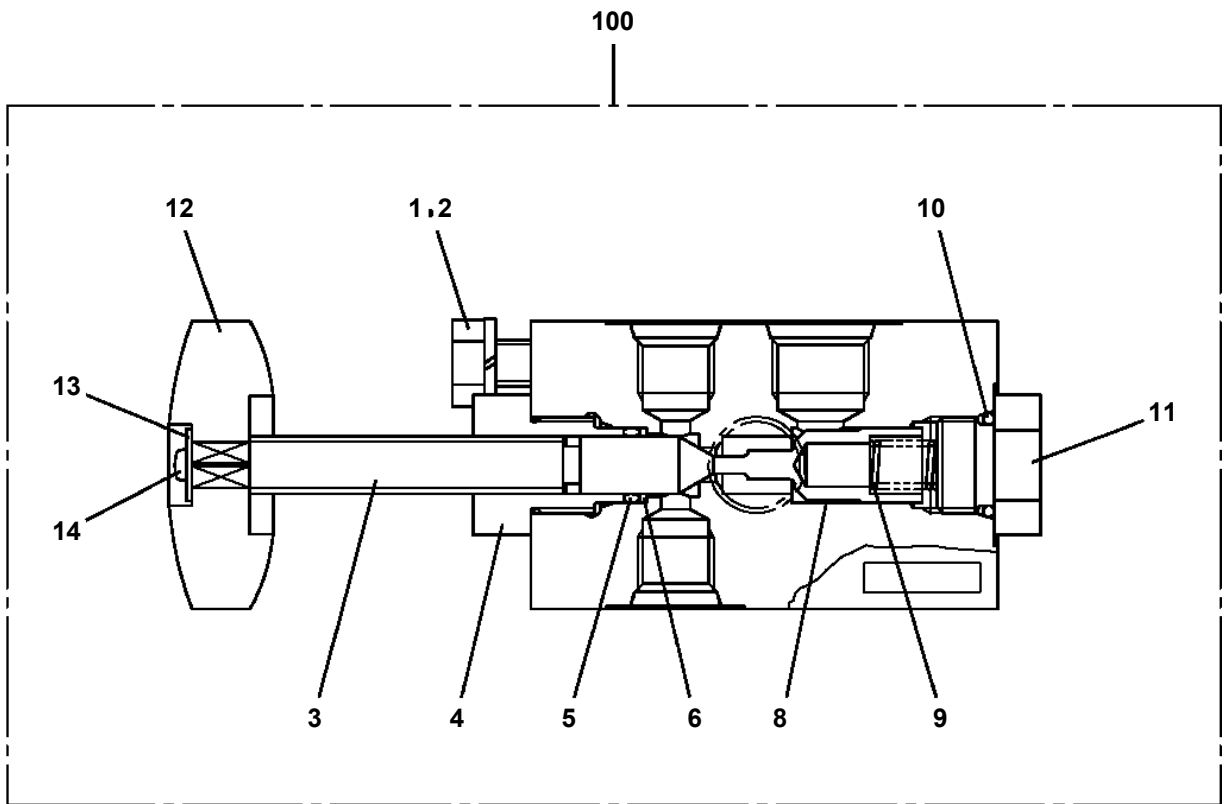
# AT-110-4 42084400072 UPPER

Pos No.	Parts No	Parts Name	Qty	Unit	Technical Data	Serial No (Start)	Serial No (End)	Rem
1	(***** *****)	FRAME	1				219415	
	(***** *****)	FRAME	1			219416		
2	(***** *****)	OUTRIGGER (MOUNT)	1				219910	
	(***** *****)	OUTRIGGER ASSY	1			219911		
3	(***** *****)	OPE.ASSY,CONT.VALVE	1					
4	(***** *****)	PIPING,OUTRIGGER	1				219415	
	(***** *****)	PIPING,OUTRIGGER	1			219416	219910	
	(***** *****)	PIPING ASSY,FRAME	1			219911		
6	(***** *****)	ELEC.ASSY (FRAME)	1					
7	(***** *****)	ELEC.ASSY (LOWER CONTROLS)	1					
8	(***** *****)	ELEC.ASSY (MOTOR UNIT)	1				219576	
	(***** *****)	ELEC.ASSY (MOTOR UNIT)	1			219577		
9	(***** *****)	TANK SUPPORT	1					
11	(***** *****)	BOOM REST	1				219415	
	(***** *****)	BOOM REST	1			219416		
12	(***** *****)	COVER (MOTOR UNIT)	1				219576	
	(***** *****)	COVER (MOTOR UNIT)	1			219577		
13	(***** *****)	POWER SUPPLY(MOTOR UNIT)	1				219576	
	(***** *****)	POWER SUPPLY (MOTOR UNIT)	1			219577		
14	(***** *****)	BATTERY	1					
15	(***** *****)	MOUNT,CHARGER	1					

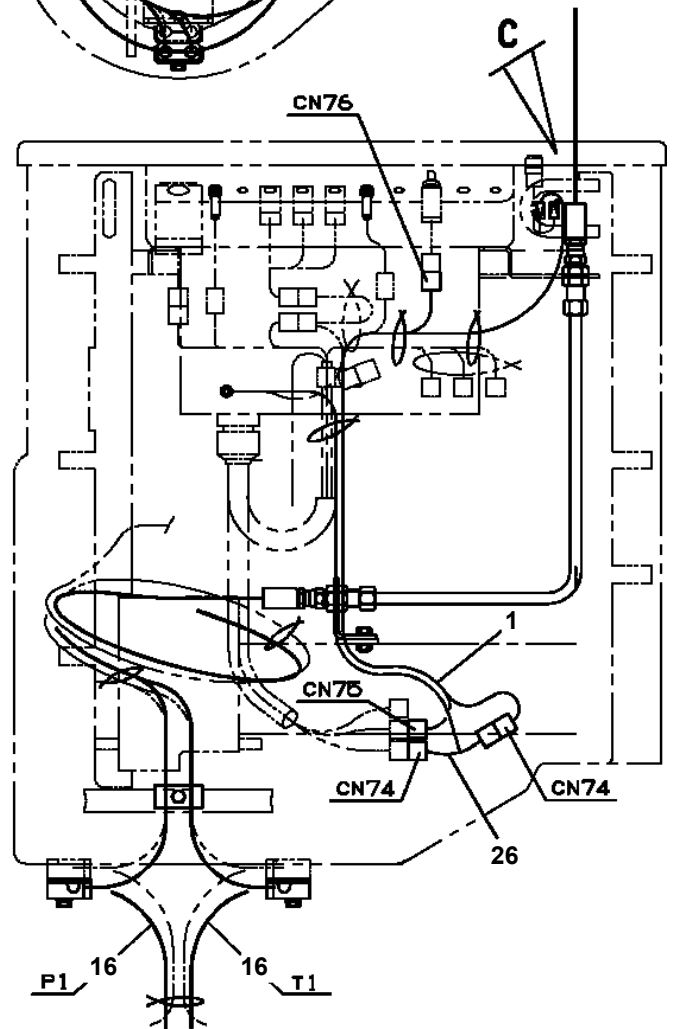
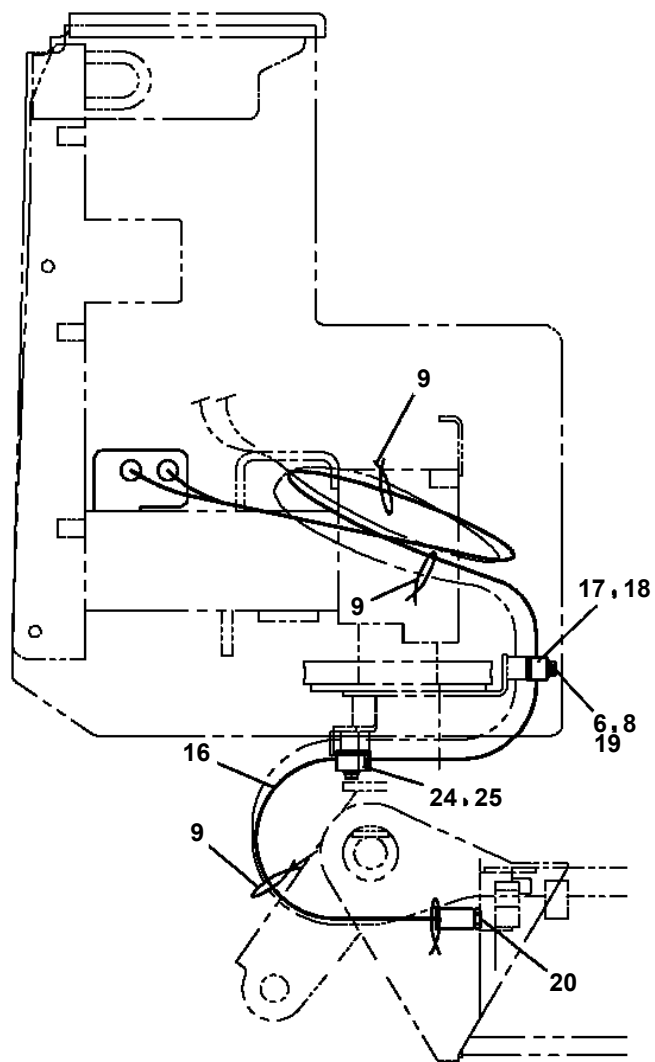
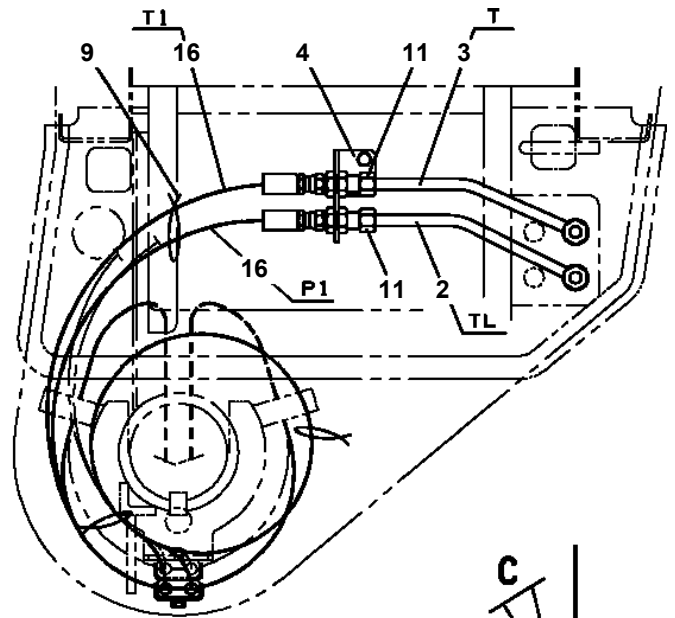
## AT-110-4 42084400072 UPPER

PH5032628-00 HARNESS  
PH5032629-00 HARNESS  
PH5032630-00 HARNESS  
PH5032631-00 HARNESS  
PH5032633-00 HARNESS  
PH5032638-00 HARNESS  
PH5032639-00 HARNESS  
PH5032640-00 HARNESS  
PH5034138-00 HARNESS  
PH5034164-00 HARNESS  
PH5034166-00 HARNESS  
PH5034167-00 HARNESS  
PH5034172-00 HARNESS  
PH5034177-00 HARNESS  
PH5034178-00 HARNESS  
PI1010074-00 MOTOR,HYDRAULIC (SWING)  
PI1050002-00 RESERVOIR,OIL  
PI1100078-00 VALVE,RELIEF  
PI1100132-01 VALVE,RELIEF  
PI1120053-00 VALVE,SOLENOID  
PI1120232-00 VALVE,SOLENOID  
PI1120237-01 VALVE,SOLENOID  
PI1120240-02 VALVE,SOLENOID  
PI1120242-01 VALVE,SOLENOID  
PI1140133-01 VALVE,CHECK  
PI1140227-00 VALVE,CHECK  
PI1240047-00 VALVE  
PI1250137-00 VALVE,COUNTERBALANCE  
PJ3010047-00 BUCKET (INNER CASE,OPTION)  
PJ3010199-00 BUCKET (WHITE/WITHOUT BOSS)  
PJ3010217-00 BUCKET (SI,WHITE/WITH INNER)  
PJ3010315-00 BUCKET (SI BUCKET/ WHITE,WITH INNER CASE)  
PJ3010316-01 BUCKET  
PJ3010317-00 BUCKET (WHITE/WITHOUT BOSS)  
PJ3010318-00 BUCKET (INNER CASE)  
PJ3010319-00 BUCKET (MAT)  
PJ3010321-01 BUCKET  
PK1011060-02 FRAME (BUCKET)  
PK1011278-00 FRAME  
PK1011369-01 FRAME  
PK1100461-02 SWING FRAME  
PK1330104-00 COVER (BUCKET,FOR SI)  
PK1330276-00 COVER (BUCKET/CLOTH:WHITE)  
PK1330283-02 COVER (BUCKET)  
PK1330330-00 COVER  
PK1330331-01 COVER (BOOM)  
PK1330340-00 COVER  
PK1330360-00 COVER  
PK1330379-01 COVER (BOOM)  
PK1330383-00 COVER (MOTOR UNIT)  
PK1330477-00 COVER (MOTOR UNIT)  
PL1011118-02 OPE.ASSY,CONT.VALVE  
PL1250052-00 VALVE,CONTROL  
PL1250053-00 VALVE,CONTROL  
PL1920060-01 OPE.ASSY  
PL1920070-02 OPE.ASSY (BUCKET/1-LEVER,3-OPE.)  
PM5150161-00 MODIFICATION ASSY (FUKUTOU/UNLOAD VALVE,JACK)  
PM5150162-00 MODIFICATION ASSY (MAIN UNLOAD VALVE CHENGE)  
PM5150163-00 MODIFICATION ASSY (BOOSTER UNLOAD VALVE)  
PM5150164-00 MODIFICATION ASSY (JACK ORIFICE CHENGE)  
PM5230001-01 MOTOR,OIL  
PN1013987-00 ELEC.ASSY (AUTOMATIC HORIZONTAL)  
PN1014283-03 ELEC.ASSY (HORIZONTAL/VERTICAL SELECTOR)  
PN1014284-00 ELEC.ASSY (VIHICLE INCLINOMETER ALARM)

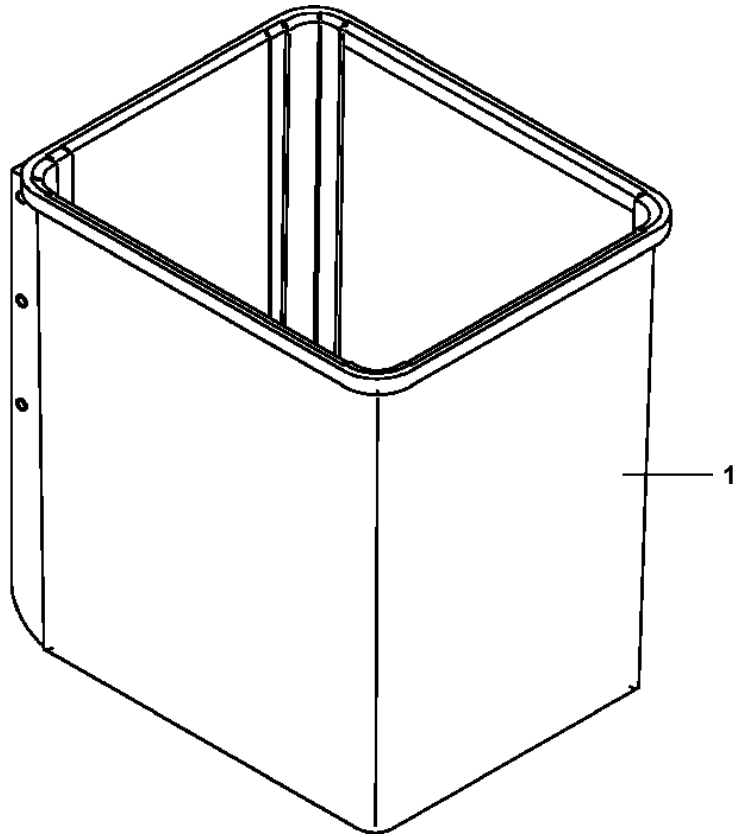
**AT-110-4 42084400072 UPPER  
PB1320319-00 VALVE,MANUAL CONTROL**



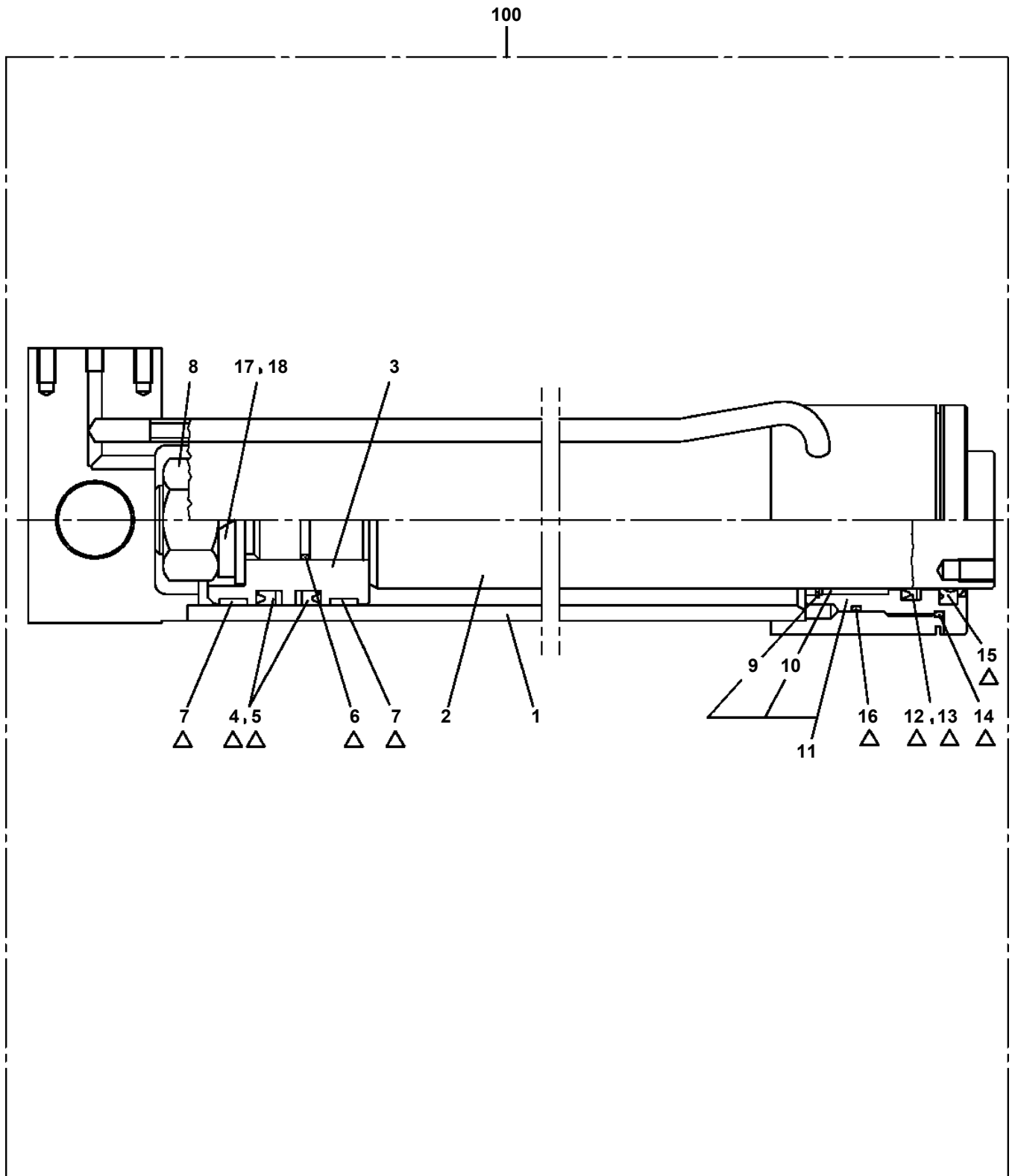
**AT-110-4 42084400072 UPPER  
PB1380299-01 POWER SUPPLY**



**AT-110-4 42084400072 UPPER  
PB5340005-00 BUCKET (WHITE)**

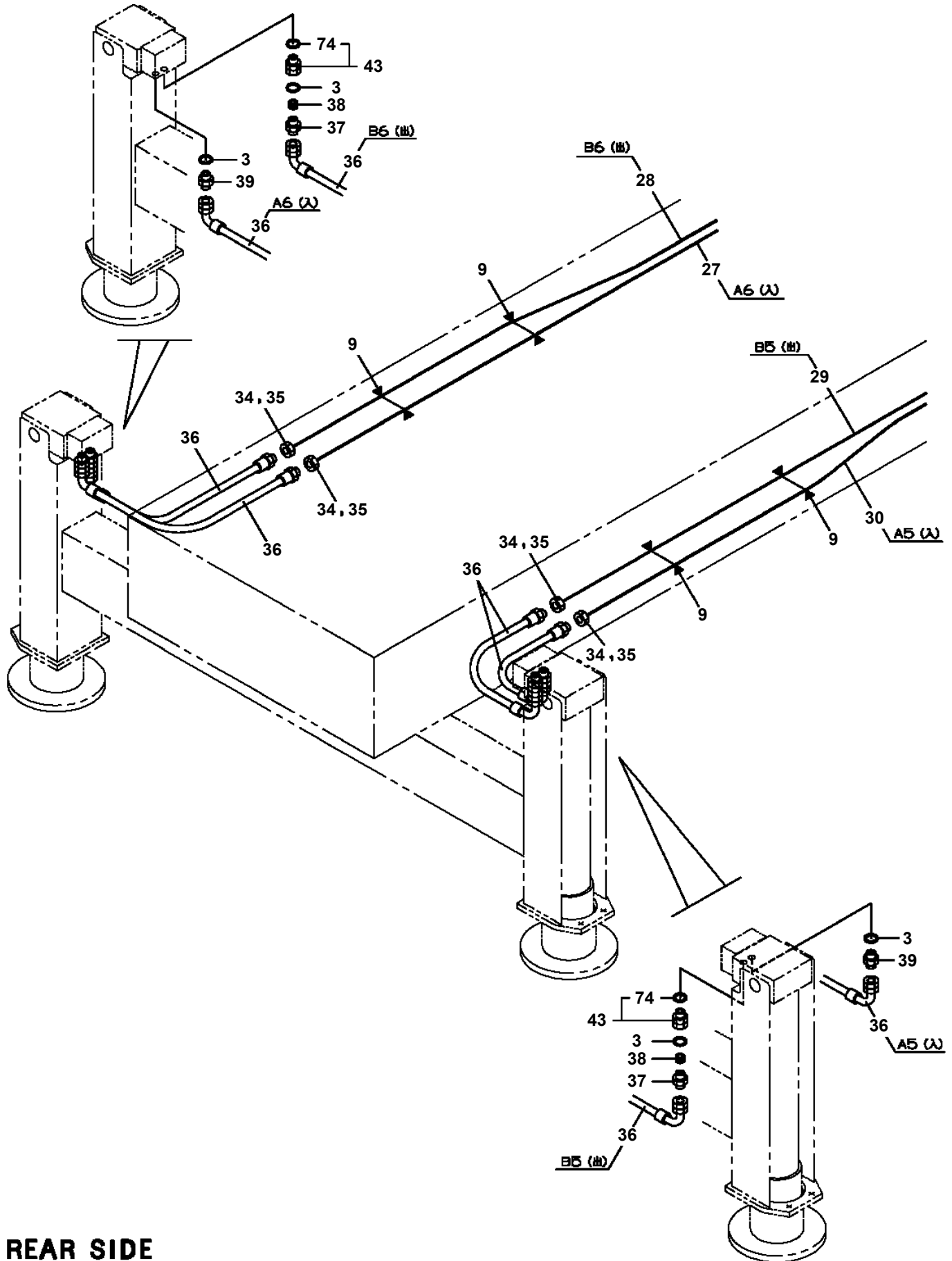


AT-110-4 42084400072 UPPER  
PC1030396-00 CYLINDER,JACK



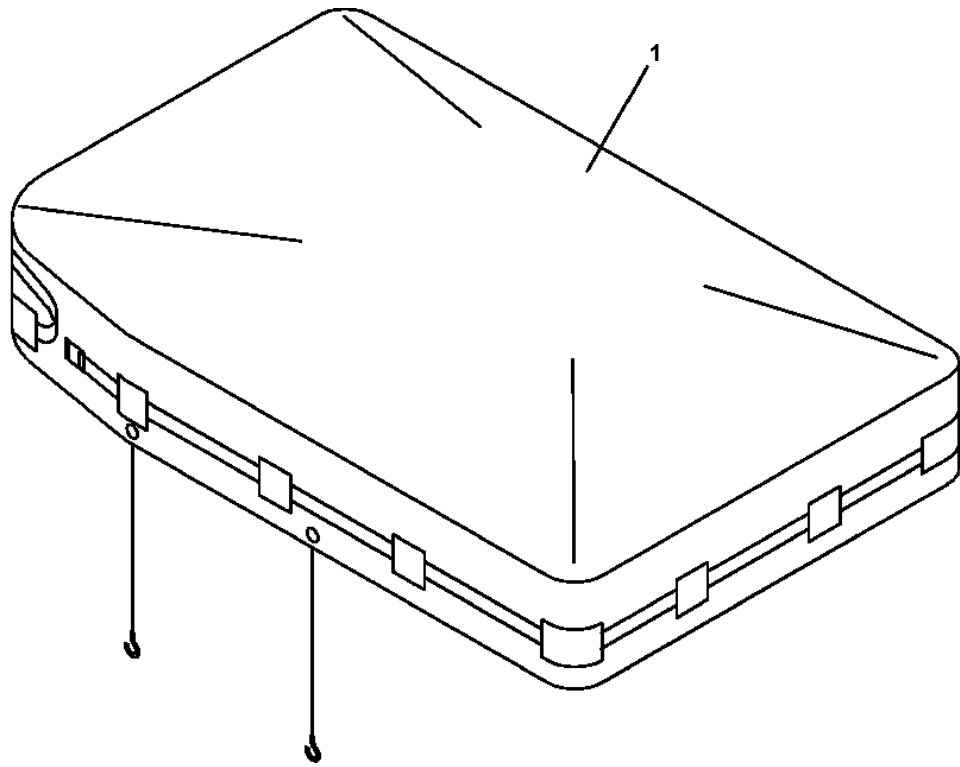
△:PACKING SET KEY NO.41 (KEY NO.4,5,6,7,12,13,14,15,16)

AT-110-4 42084400072 UPPER  
PC1200616-01 PIPING,OUTRIGGER

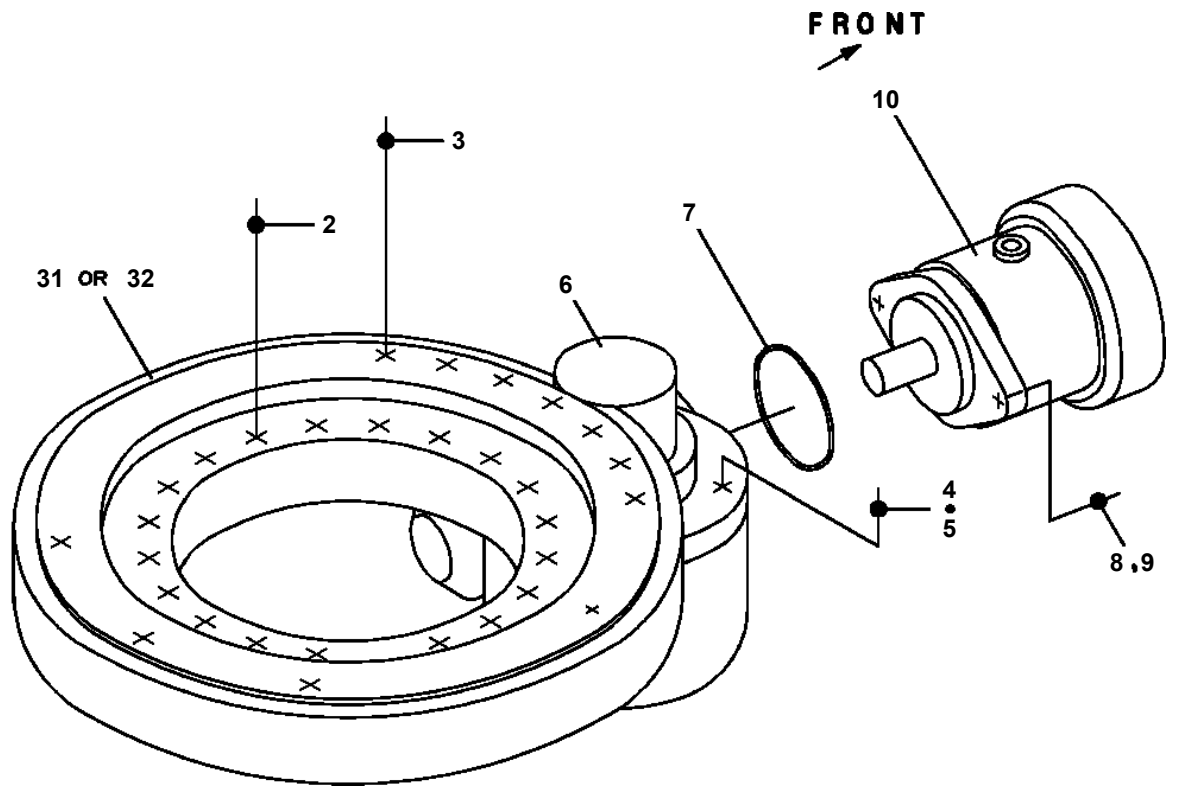


REAR SIDE

**AT-110-4 42084400072 UPPER  
PC5570105-00 COVER**

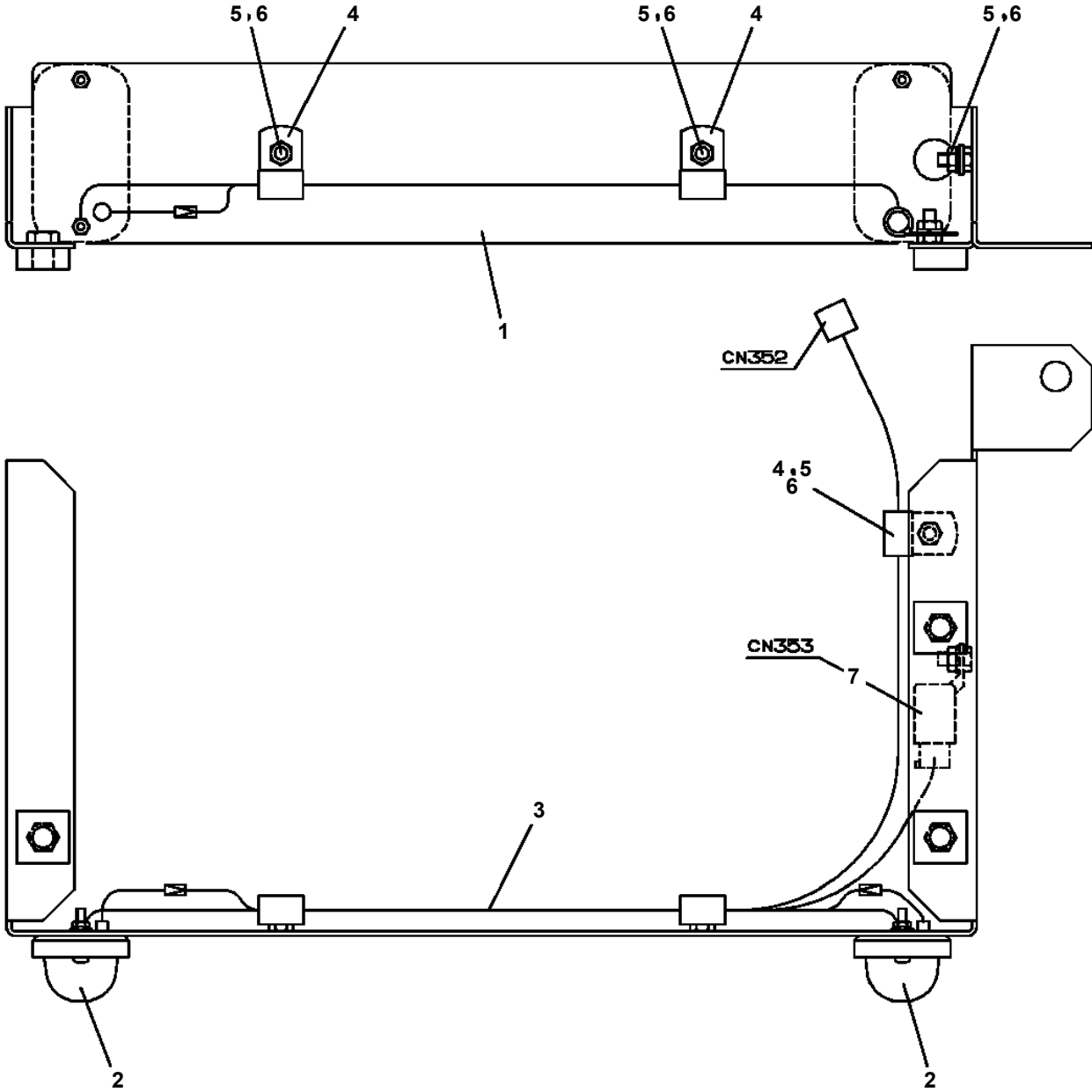


**AT-110-4 42084400072 UPPER  
PD1010153-00 REDUCER, SWING SPEED (MOUNT)**





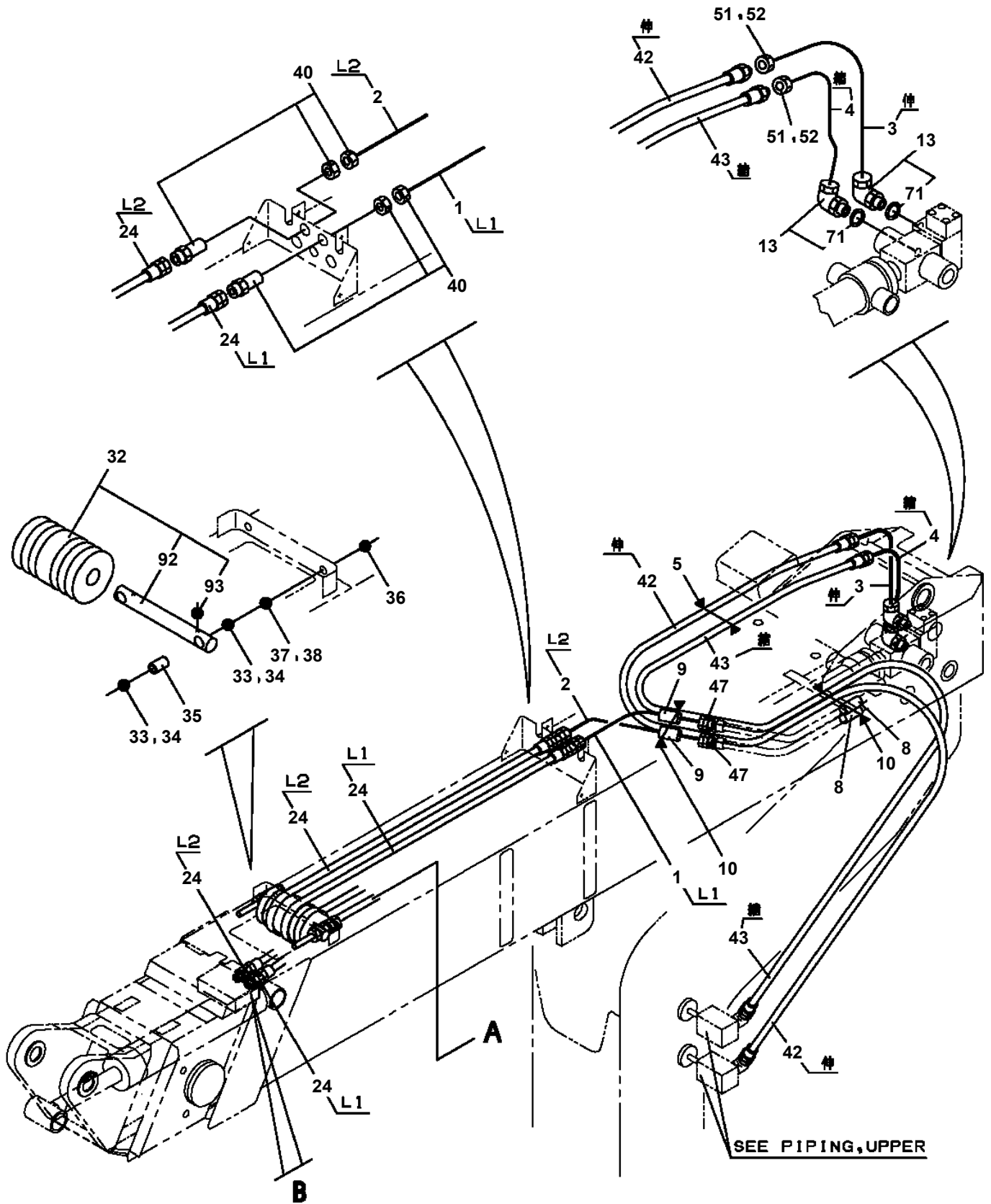
AT-110-4 42084400072 UPPER  
PF1080184-00 SUPPORT



# AT-110-4 42084400072 UPPER

Pos No.	Parts No	Parts Name	Qty	Unit	Technical Data	Serial No (Start)	Serial No (End)
1	42202679510	BOOM,BASE	1				
2	42202742000	BOOM,2ND	1			219125	
3	42202743000	BOOM, TOP	1				
5	82455106000	NIPPLE,GREASE	6		A-M6F FE		
6	90303070601	WASHER,PLAIN	1		6		219494
7	37000112420	PIN	2				
8	80602110300	RING,RITAINING	7		R30		
9	80184306012	SCREW,MACHINE	6		M6X12		
10	37002018260	PLATE,SLIDE	2				
11	37000584990	PLATE	N		T=0.8		
12	37002018540	PLATE,SLIDE	4				
13	42200484100	PLATE	N		T=0.8		
14	37002018500	PLATE,SLIDE	2				
15	90171110022	BOLT	4		M10X22		
16	37002018480	PLATE,SLIDE	2				
17	37000584970	PLATE	N		T=0.8		
18	90174110020	BOLT	4		M10X20		
19	42202400010	SUPPORT	1				
20	31630302000	PLATE	N		T=1.5		
21	82400000459	CAP	2				
22	37000181820	PIN	1				
23	42202400300	RETAINER	4				
24	42201520020	RETAINER	2				
25	90171110016	BOLT	4		M10X16		
26	90302041001	WASHER,SPRING	24		10		
27	42202400090	PLATE	N		T=0.5		
28	42202400160	PLATE	N		T=0.8		
29	42202400030	PLATE	4				
30	37002018510	PLATE,SLIDE	4				
31	37000584960	PLATE	8		T=0.6		
33	37000136510	PIN	4				
34	90171108016	BOLT	4		M8X16		219557
	90171108018	BOLT	4		M8X18	219558	
35	37002018520	PLATE,SLIDE	2				
36	37000573190	PLATE	N		T=1.0		
37	90101206016	BOLT	4		M6X16		
38	37002018460	PLATE,SLIDE	2		T=12		
39	31631222000	CAP	4				
40	37000187090	PIN	1				
41	37000558530	PLATE	2		T=9		
42	37001923130	ROPE,WIRE (TESAC)	2		7X3.3M		
43	37002018530	PLATE,SLIDE	2		T=25		
44	37000187120	PIN	1				
45	90171208030	BOLT	8		M8X30		
46	90302040601	WASHER,SPRING	4		6		
47	37001922050	ROPE,WIRE (KOKOKU)	2		8X6.15M		
	37001922040	ROPE,WIRE (TESAC)	2		8X6.15M		
48	42200810020	PIN	1				
49	37000401810	BEARING,PLAIN	2				
50	80136360050	PIN,SPLIT	1		6X50		
51	90238403008	NUT,CASTLE	1		M30X2		
52	90303073001	WASHER,PLAIN	1		30		
53	37000136530	PIN	2				
54	80601110200	RING,RITAINING	6		S20		
55	37000155030	PIN	2				
56	42202400140	PLATE	8		T=0.8		
57	42202400060	ROLLER	2				
58	42202400070	PLATE	2				
59	37000187080	PIN	2				
60	37000187050	PIN	1				
61	90303071001	WASHER,PLAIN	16		10		
62	90302040801	WASHER,SPRING	12		8		
63	90202481200	NUT	8		M12		

AT-110-4 42084400072 UPPER  
PG1220170-02 PIPING,BOOM



# AT-110-4 42084400072 UPPER

Pos No.	Parts No	Parts Name	Qty	Unit	Technical Data	Serial No (Start)	Serial No (End)	Remarks	Pages
100	42355780500	HARNESS	1						

# AT-110-4 42084400072 UPPER

Pos No.	Parts No	Parts Name	Qty	Unit	Technical Data	Serial No (Start)	Serial No (End)	Remarks	Pages
100	42501161010	HARNESS	1						

# AT-110-4 42084400072 UPPER

Pos No.	Parts No	Parts Name	Qty	Unit	Technical Data	Serial No (Start)	Serial No (End)	Remarks	Pages
100	42503641100	HARNESS	1						

# AT-110-4 42084400072 UPPER

Pos No.	Parts No	Parts Name	Qty	Unit	Technical Data	Serial No (Start)	Serial No (End)	Remarks	Pages
100	42356490201	HARNESS	1						

# AT-110-4 42084400072 UPPER

Pos No.	Parts No	Parts Name	Qty	Unit	Technical Data	Serial No (Start)	Serial No (End)	Remarks	Pages
14	82182809623	DIODE	2						
100	42422415600	HARNESS	1						

# AT-110-4 42084400072 UPPER

Pos No.	Parts No	Parts Name	Qty	Unit	Technical Data	Serial No (Start)	Serial No (End)	Remarks	Pages
100	42501070010	HARNESS	1						

# AT-110-4 42084400072 UPPER

Pos No.	Parts No	Parts Name	Qty	Unit	Technical Data	Serial No (Start)	Serial No (End)	Remarks	Pages
3	36605115010	POPPET	1						
6	36605115020	PLUNGER	1						
7	70320127520	BUSH	1						
9	70320127540	SPRING	1						
10	70320027625	SPRING	1						
12	36605115040	SCREW	1						
14	80316030020	PLUG	2		PT1/8				
15	80316030010	PLUG	1		NPTF1-16				
16	91002800900	O-RING	4		1B P9				
17	91001101001	O-RING	1		1A P10A				
18	91002801400	O-RING	1		1B P14				
19	91002801800	O-RING	1		1B P18				
20	91000501300	O-RING	1		AS568-013				
21	36602775040	KNOB (A)	1						
22	36602775050	KNOB	1						
23	36605115050	SCREW	1						
50	36605110000	VALVE,RELIEF	1						

# AT-110-4 42084400072 UPPER

Pos No.	Parts No	Parts Name	Qty	Unit	Technical Data	Serial No (Start)	Serial No (End)	Remarks
1	36642765070	PLUG	1					
2	36642765080	SPRING	2					
3	36642765050	O-RING	1					
4	36642765060	WASHER (CENTER)	2					
6	91000501200	O-RING	4					
31	36741765010	NUT	1					
32	36741765020	O-RING	1					
33	36741765030	CORE ASSY (SOLENOID)	1					
34	36645335010	COIL,SOLENOID	1					
35	36648475110	O-RING	1					
37	36643435040	PIN,SPRING	4					
41	36644965010	O-RING	1					
100	36645350000	VALVE,SOLENOID	1					

# AT-110-4 42084400072 UPPER

Pos No.	Parts No	Parts Name	Qty	Unit	Technical Data	Serial No (Start)	Serial No (End)	Rem
1	36740990000	VALVE,CONTROL	1					
	36742100000	VALVE ASSY (JACK CONTROL)	1			219918	219917	
2	80302090141	FITTING	8		KCO12-020N			
3	91002801100	O-RING	8		1B P11			
4	80302090231	FITTING	1		KCO18-030N			
5	91002801400	O-RING	2		1B P14			
6	80303130181	FITTING,ELBOW	1		KLO15-030E			
7	80400160129	JOINT	1					
31	91002801400	O-RING	1		1B P14			

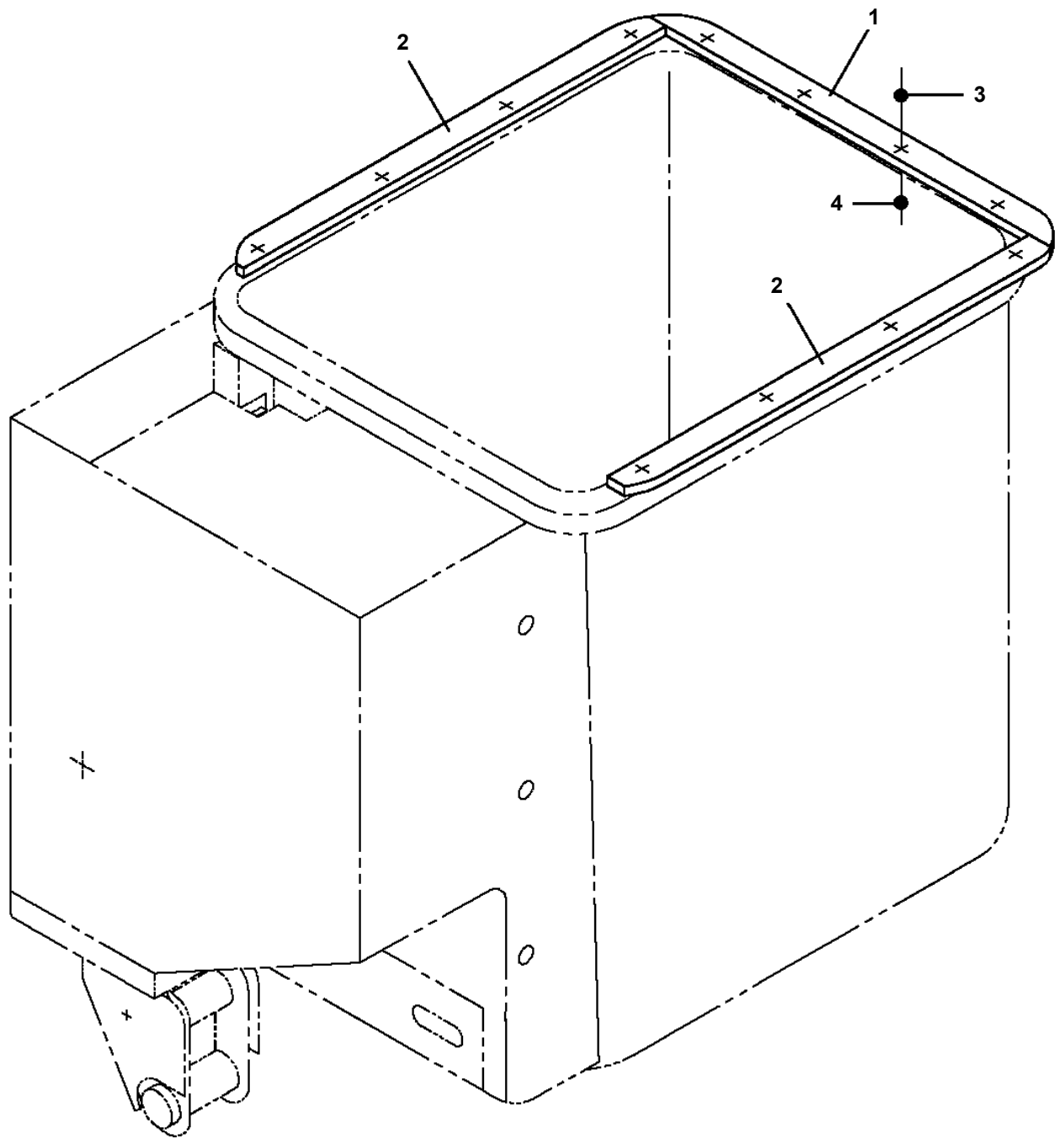
# AT-110-4 42084400072 UPPER

Pos No.	Parts No	Parts Name	Qty	Unit	Technical Data	Serial No (Start)	Serial No (End)
1	(***** 42262050600	BUCKET (SI,WHITE/WITH INNER) BUCKET (WHITE)	1 1			HK1988	
2	(*****	BUCKET (INNER CASE)	1				
3	(*****	BUCKET (MAT)	1				
4	(***** 42267480100	ACCESSORIES (MAT/FOR SI BUCKET) COVER	1 1				HK2379
	42267480200	COVER	1			HK2380	
5	(*****	COVER	1				

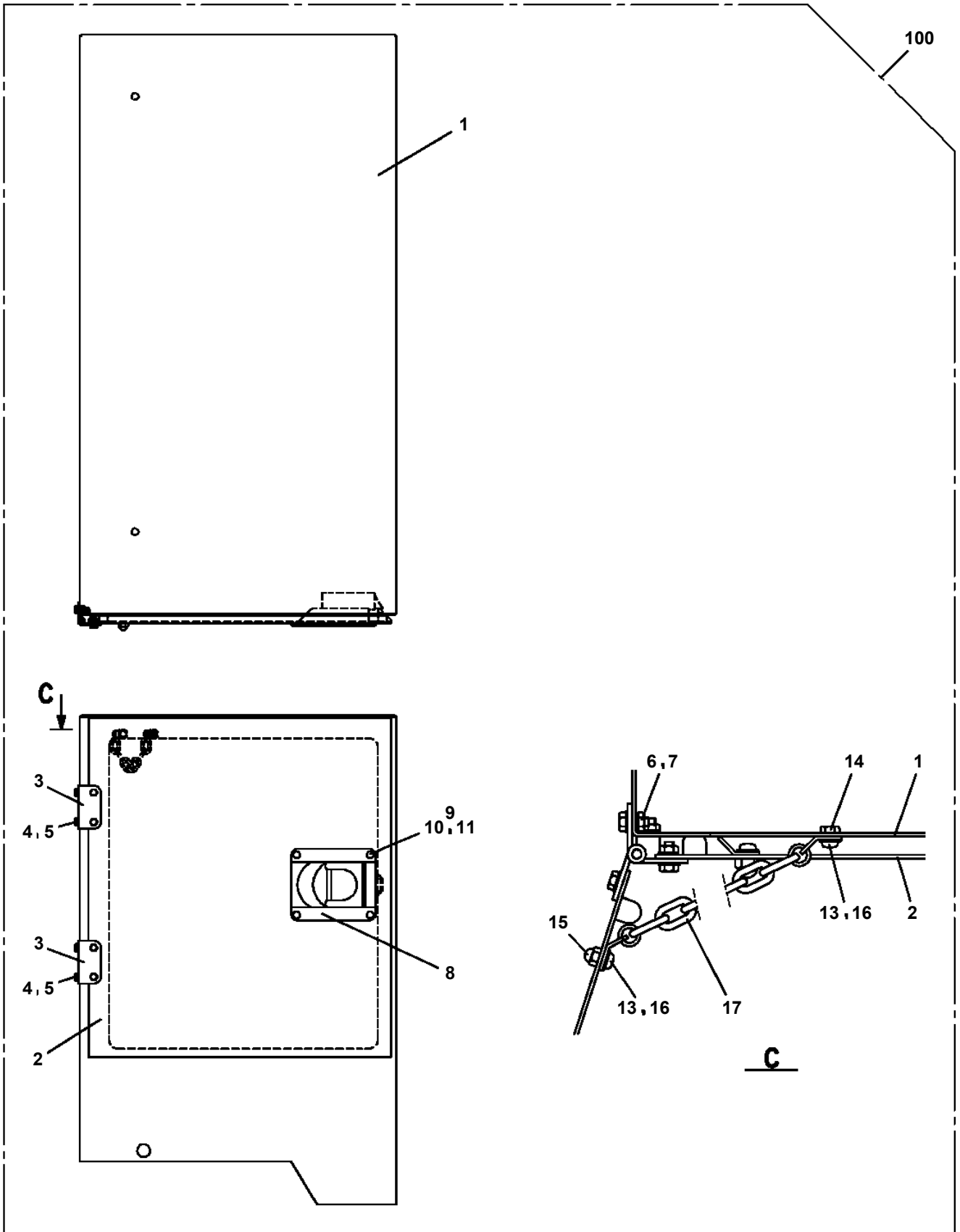
# AT-110-4 42084400072 UPPER

Pos No.	Parts No	Parts Name	Qty	Unit	Technical Data	Serial No (Start)	Serial No (End)	R
1	42266920101	BUCKET (WHITE/WITHOUT BOSS)	1					
2	42266620200	ACCESSORIES (MAT)	1				219174	
	(*****)	ACCESSORIES (MAT)	1			219175		
3	(*****)	COVER (BUCKET/CLOTH:WHITE)	1				HK0421	
4	(*****)	COVER	1					

**AT-110-4 42084400072 UPPER  
PK1330104-00 COVER (BUCKET, FOR SI)**



AT-110-4 42084400072 UPPER  
PK1330340-00 COVER



CLICK HERE TO **DOWNLOAD** THE COMPLETE MANUAL

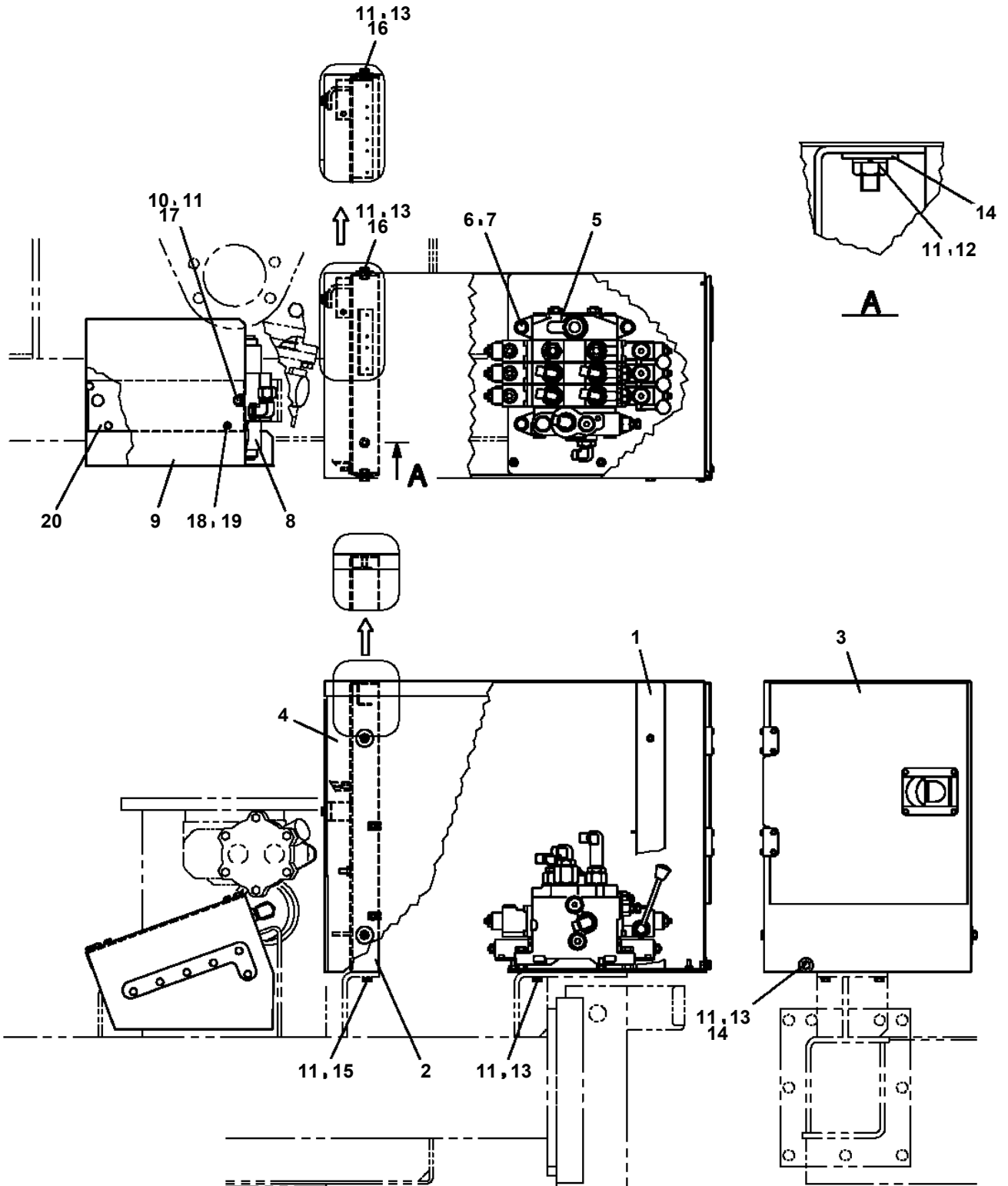
- Thank you very much for reading the preview of the manual.
- You can download the complete manual from: [www.heydownloads.com](http://www.heydownloads.com) by clicking the link below



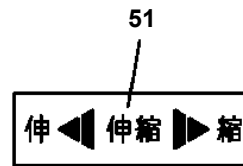
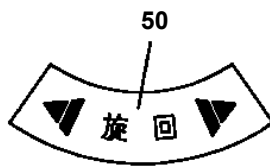
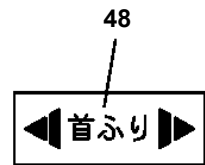
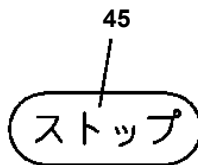
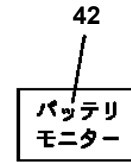
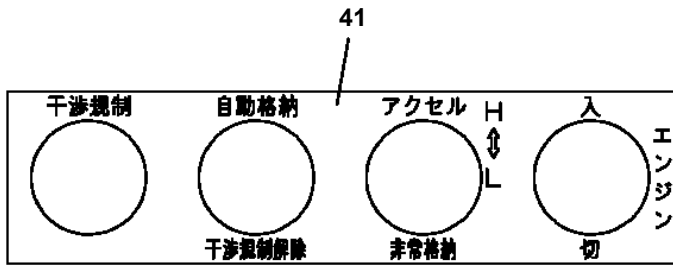
- Please note: If there is no response to CLICKING the link, please download this PDF first and then click on it.

CLICK HERE TO **DOWNLOAD** THE COMPLETE MANUAL

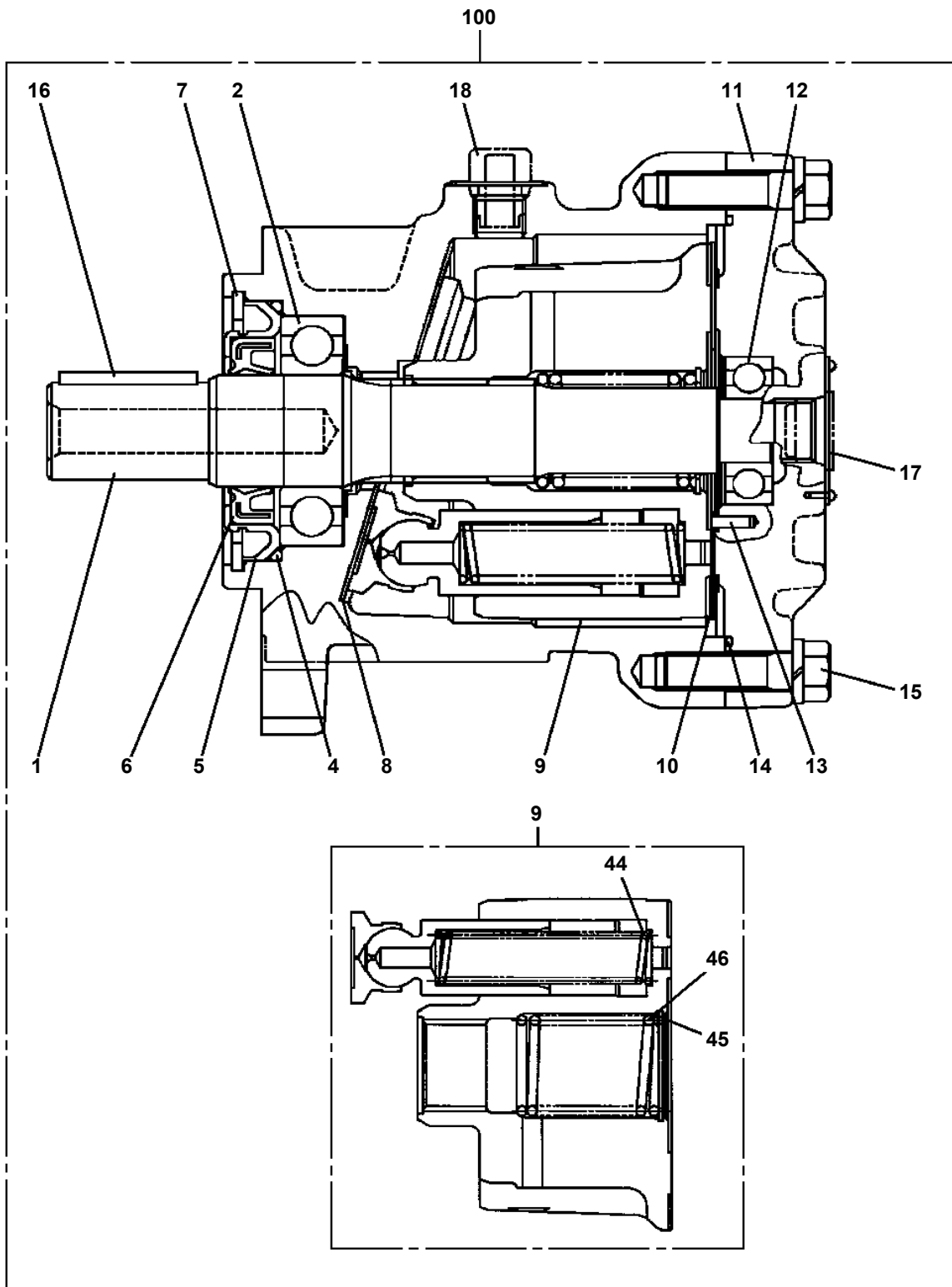
AT-110-4 42084400072 UPPER  
PL1011118-02 OPE.ASSY,CONT.VALVE



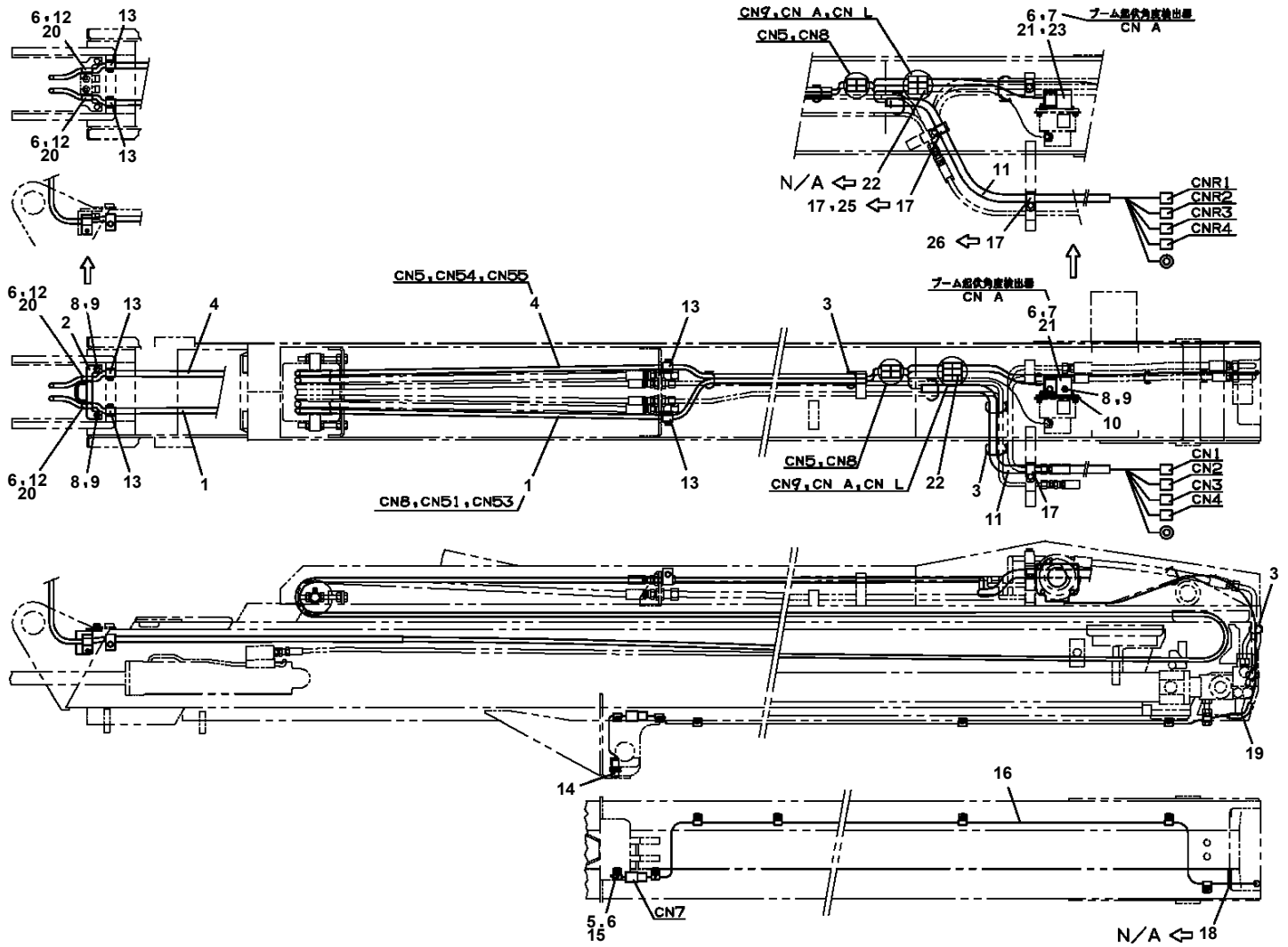
AT-110-4 42084400072 UPPER  
 PL1920070-02 OPE.ASSY (BUCKET/1-LEVER,3-OPE.)



AT-110-4 42084400072 UPPER  
PM5230001-01 MOTOR,OIL

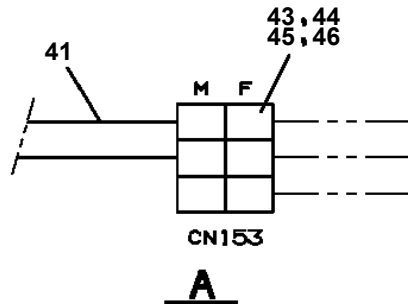
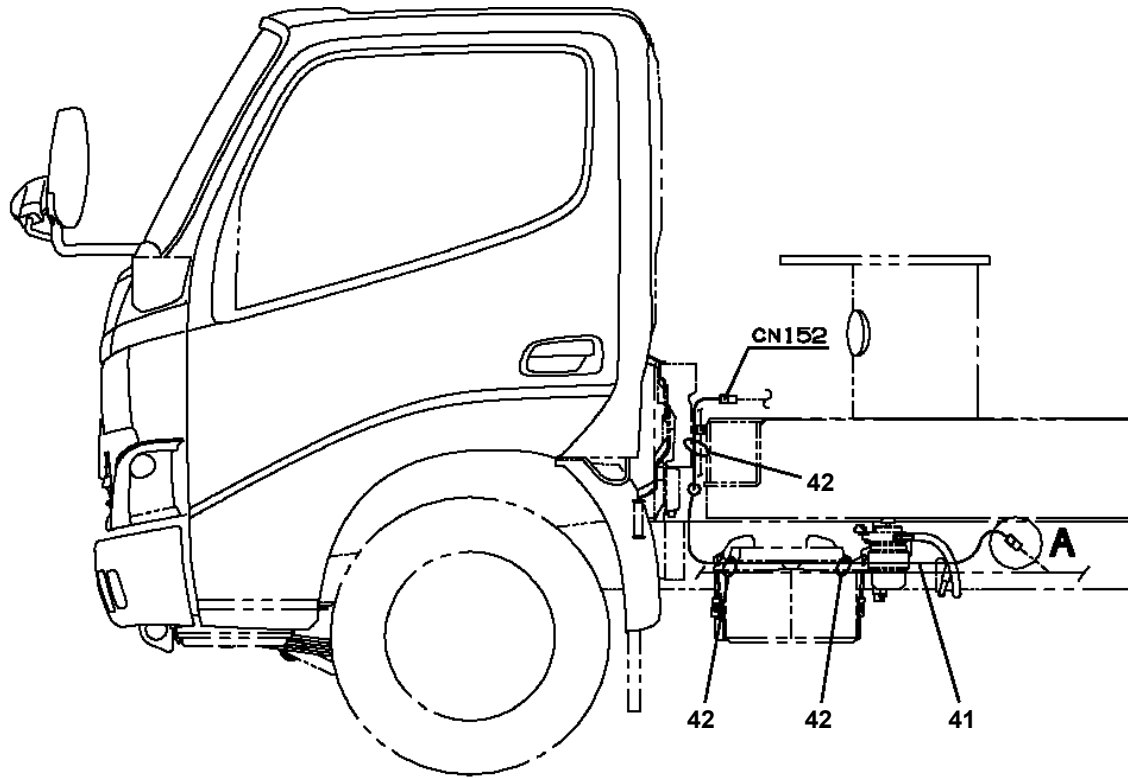


**AT-110-4 42084400072 UPPER  
PN1014333-03 ELEC.ASSY (BOOM/ANGLE)**

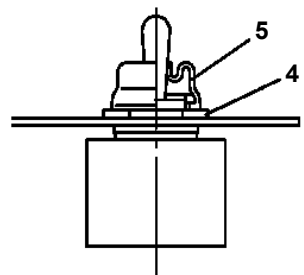
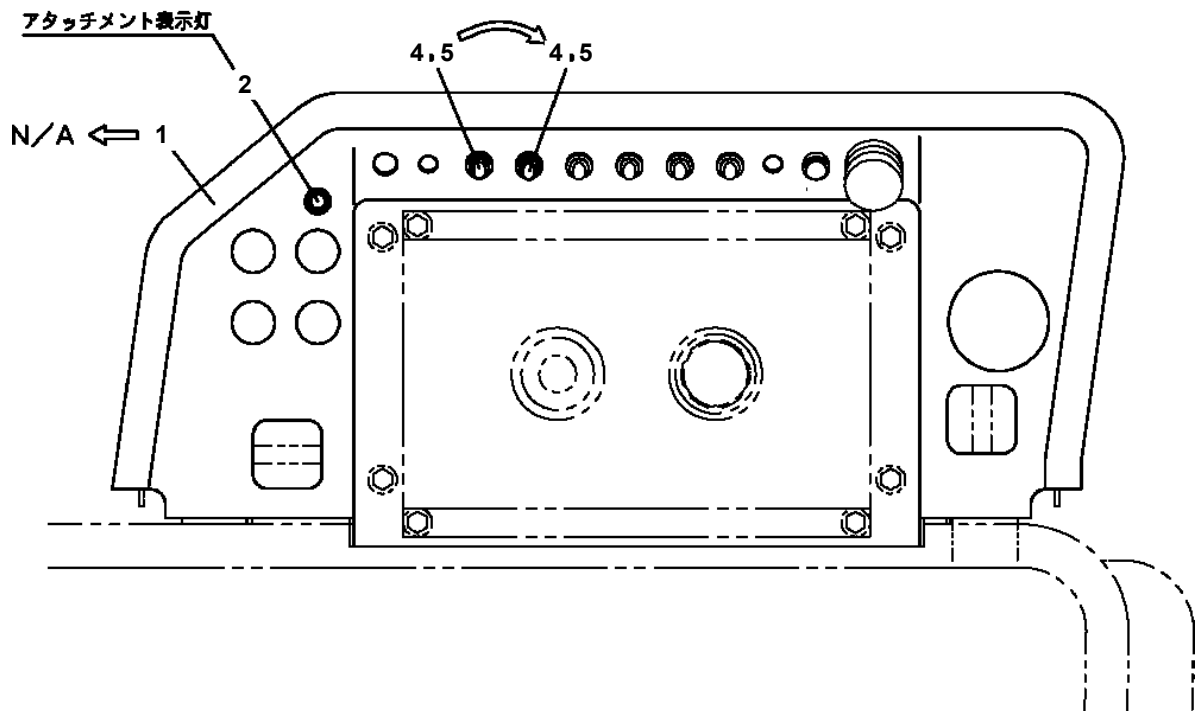
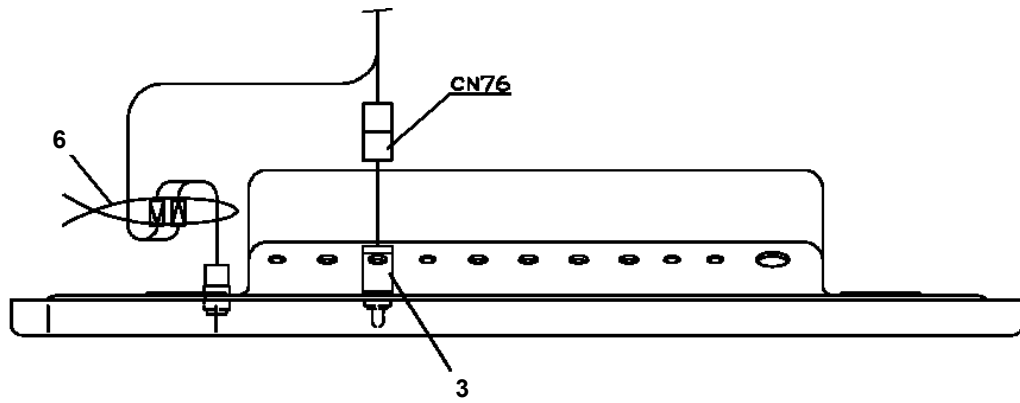


AT-110-4 42084400072 UPPER

PN1014511-03 ELEC.ASSY(AUTOMATIC HORIZONTAL: HINO,TOYOTA/KANDENKO)



AT-110-4 42084400072 UPPER  
PN1060268-02 SWITCH PANEL



トグルスイッチ防水キャップ

# AT-110-4 42084400072 UPPER

Pos No.	Parts No	Parts Name	Qty	Unit	Technical Data	Serial No (Start)	Serial No
1	42502590100	SUPPORT	1				
2	90101208014	BOLT	2		M8X14		
3	90302040801	WASHER,SPRING	2		8		
4	90201200800	NUT	2		M8		
5	90813108016	BOLT,WING	1		M8X16		
6	42651490100	LAMP ASSY	1				
7	91810130240	FASTENER	2				
8	82401601002	CLAMP	2				
9	82100002004	CLAMP	1		WR8		
10	90101206010	BOLT	1		M6X1.0		
11	90302040601	WASHER,SPRING	1		6		
12	42970430200	HARNESS	1				
13	90101208022	BOLT	1		M8X22	219661	
31	82165904020	LAMP	1		24V 60W		
32	90101212020	BOLT	1		M12X20		
33	90302041201	WASHER,SPRING	1		12		
34	37000113640	PIN	1				
41	82100000054	BULB,LAMP	1		24V 60W		
42	82100002838	SWITCH ASSY (WITH HARNESS,TERMINAL)	1				

# AT-110-4 42084400072 UPPER

Pos No.	Parts No	Parts Name	Qty	Unit	Technical Data	Serial No (Start)	Serial No (End)	Remarks	Pages
1	42421091200	SUPPORT	1						
2	82161902040	RELAY	1						
3	82100002596	RELAY	5						
4	90101205016	BOLT	4		M5X16				
5	90302040501	WASHER,SPRING	4		5				
6	90303070501	WASHER,PLAIN	2		5				
7	90101206016	BOLT	5		M6X16				
8	90302040601	WASHER,SPRING	6		6				
9	82100002010	CLAMP	1		WR15				
10	82100002016	CLAMP	1		WR25				
11	90201200600	NUT	1		M6				
12	90201200800	NUT	1		M8				
13	90302040801	WASHER,SPRING	1		8				
14	37002708110	CABLE ASSY	1		L=4000				000032
15	42422411110	HARNESS	1						000081
50	42422411100	RELAY ASSY	1						

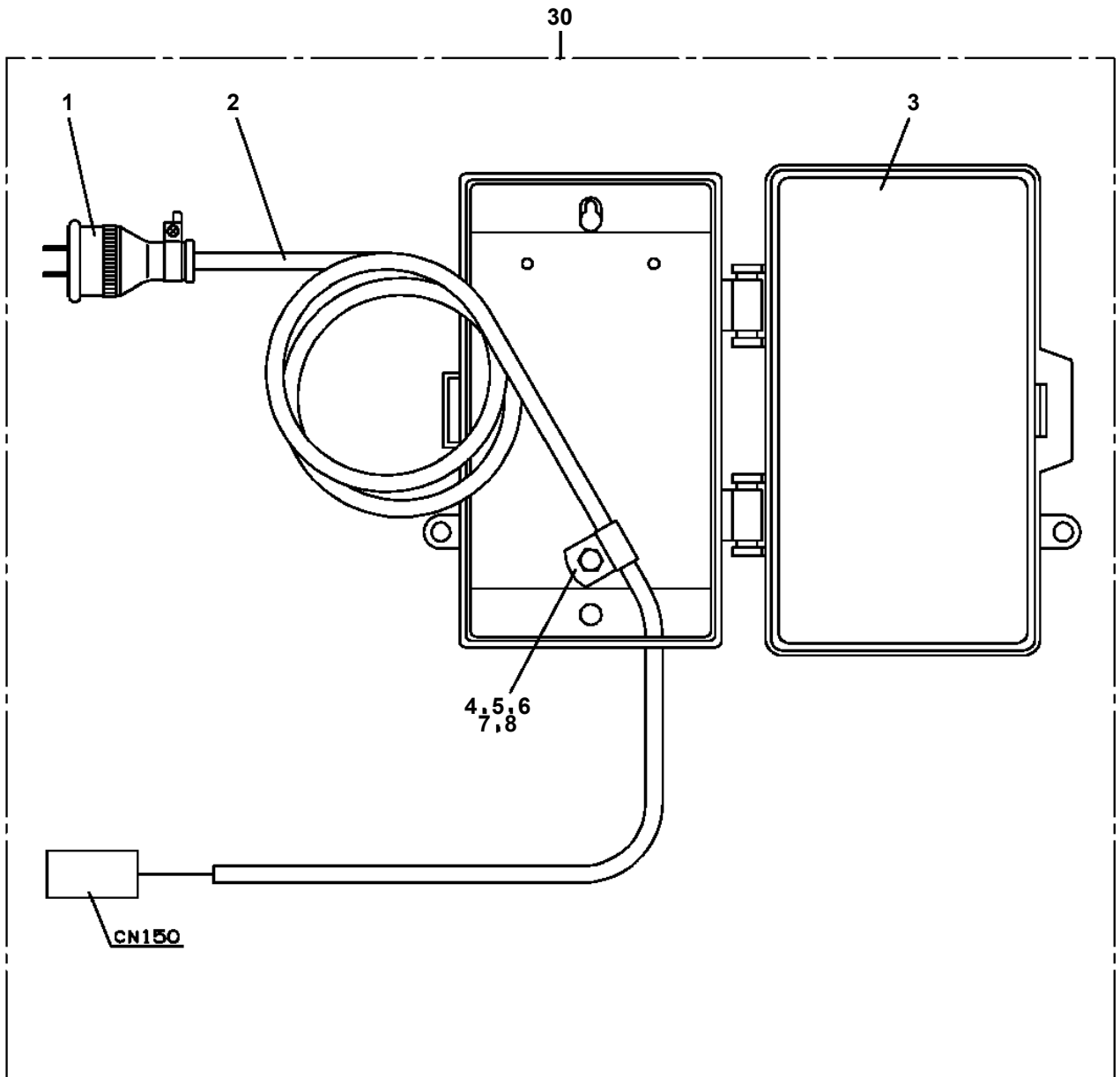
# AT-110-4 42084400072 UPPER

Pos No.	Parts No	Parts Name	Qty	Unit	Technical Data	Serial No (Start)	Serial No
1	82105221286	SWITCH,TOGGLE	3				
30	42354541400	SWITCH ASSY (WITH HARNESS,3 SWITCH)	1				

# AT-110-4 42084400072 UPPER

Pos No.	Parts No	Parts Name	Qty	Unit	Technical Data	Serial No (Start)	Serial No (End)
1	82105220286	SWITCH,TOGGLE	1				
2	82105220193	SWITCH,TOGGLE	1				
3	82105220183	SWITCH,TOGGLE	1				
10	42332531300	SWITCH ASSY (WITH HARNESS,3 SW)	1				

**AT-110-4 42084400072 UPPER  
PN1300002-00 BOX**



# AT-110-4 42084400072 UPPER

Pos No.	Parts No	Parts Name	Qty	Unit	Technical Data	Serial No (Start)	Serial No (End)	Remarks	Pages
1	42422412100	SUPPORT	1						
2	90101210020	BOLT	8		M10X20				
3	90302041001	WASHER,SPRING	8		10				
4	42422412200	SUPPORT	1						
5	42421092100	BATTERY	1				219415		000175
	42422412300	BATTERY ASSY	1			219416			
6	42421092400	SUPPORT	1						
7	82100002019	CLAMP	1		WR40				
8	90101208012	BOLT	1		M8X12				
9	90302040801	WASHER,SPRING	1		8				
10	42421092010	PLATE	1						
11	91810130270	FASTENER	2						
12	90303071001	WASHER,PLAIN	4		10				

# AT-110-4 42084400072 UPPER

Pos No.	Parts No	Parts Name	Qty	Unit	Technical Data	Serial No (Start)	Serial No (End)	Remarks	Pages
2	82100001839	FUSE	10		10A.RED				
3	82100001841	FUSE	4		20A,YELLOW				
10	34351562510	BOX,FUSE	1						
19	82182809623	DIODE	5						
100	42653850500	HARNESS	1						

AT-110-4 42084400072 UPPER  
PN5010260-00 NAME PLATE ASSY (VEHICLE)

4

6	労働安全衛生法第45条第2項による	7
5	特定自主検査 (法定年次検査)	8
4	を實施しましょう	9
3	第1回検査は 年 月 月です	10
2		11
1	建設機有資格者同業会 (労働省指導)	12

5

AMC A37	10A	10A	10A	10A	10A	10A
スベア	スベア	スベア	スベア	スベア	スベア	スベア
10A	10A	10A	10A	10A	10A	10A
10A	20A	20A	20A	20A	20A	20A

6

**警告 / 非常スイッチ**

非常スイッチを使用すると干渉防止機能は働きません。キャブとの接触に注意してブームを格納してください。

非常スイッチを使用するとブームインターロックは働きません。転倒の恐れがありますので必ずブームを格納させてからジャッキ操作をしてください。

**非常操作方法**

AMCの故障等で通常の操作ができない場合、非常スイッチをONにしながらブーム、ジャッキを格納してください。

7

**警告**

**アウトリガ操作注意**

- 作業車は堅固な地面に水平に設置してください。
- ジャッキ操作を行う時は周囲の安全を十分確認してください。
- タイヤは4輪とも浮かし、アウトリガインジケータの点灯を確認してください。

**走行時の注意**

- パケットの積載物を降ろしてください。
- パケット、ブームを格納してください。
- アウトリガを格納してください。

9

格納 ジャッキ 格納

自動・停止

張出 張出 張出

10

**緊急停止操作**

緊急停止操作は、ストップスイッチを押してください。(ストップスイッチを押すとエンジンは停止します。)解除するときは、ストップスイッチを引いてください。

**注意 / バケット傾斜**

- パケットが前後に3°以上傾いたときはパケットの水平調整をしてください。
- 外気温が低下すると起伏操作時にパケットの追従が遅れて傾きが大きくなる場合があります。このときはパケットを一旦上げて、下げ操作で水平に調整してください。

11

**警告 / 走行時注意**

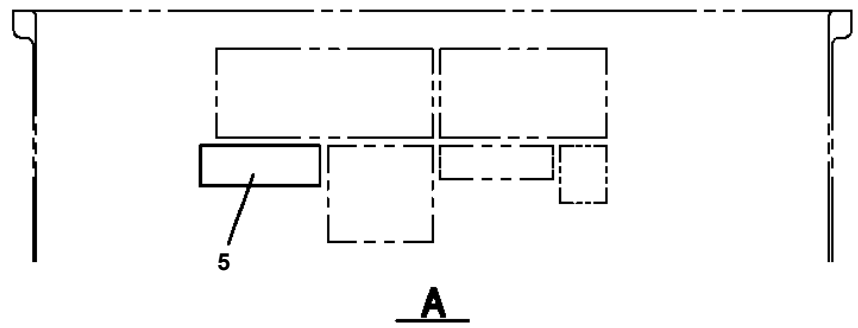
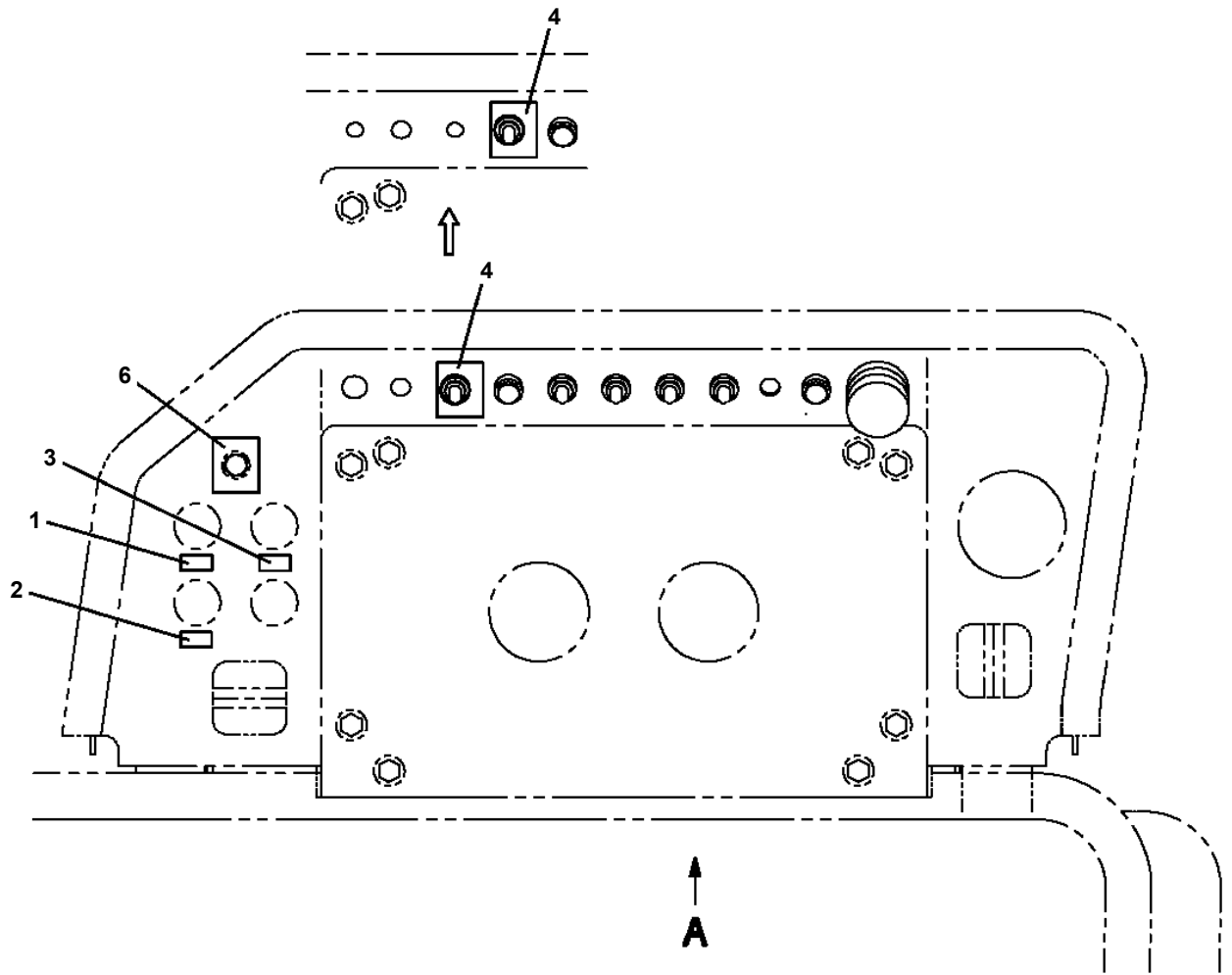
走行時は、各扉のロックおよび施錠を確実に行ってください。

12

**警告**

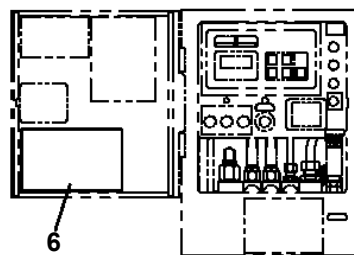
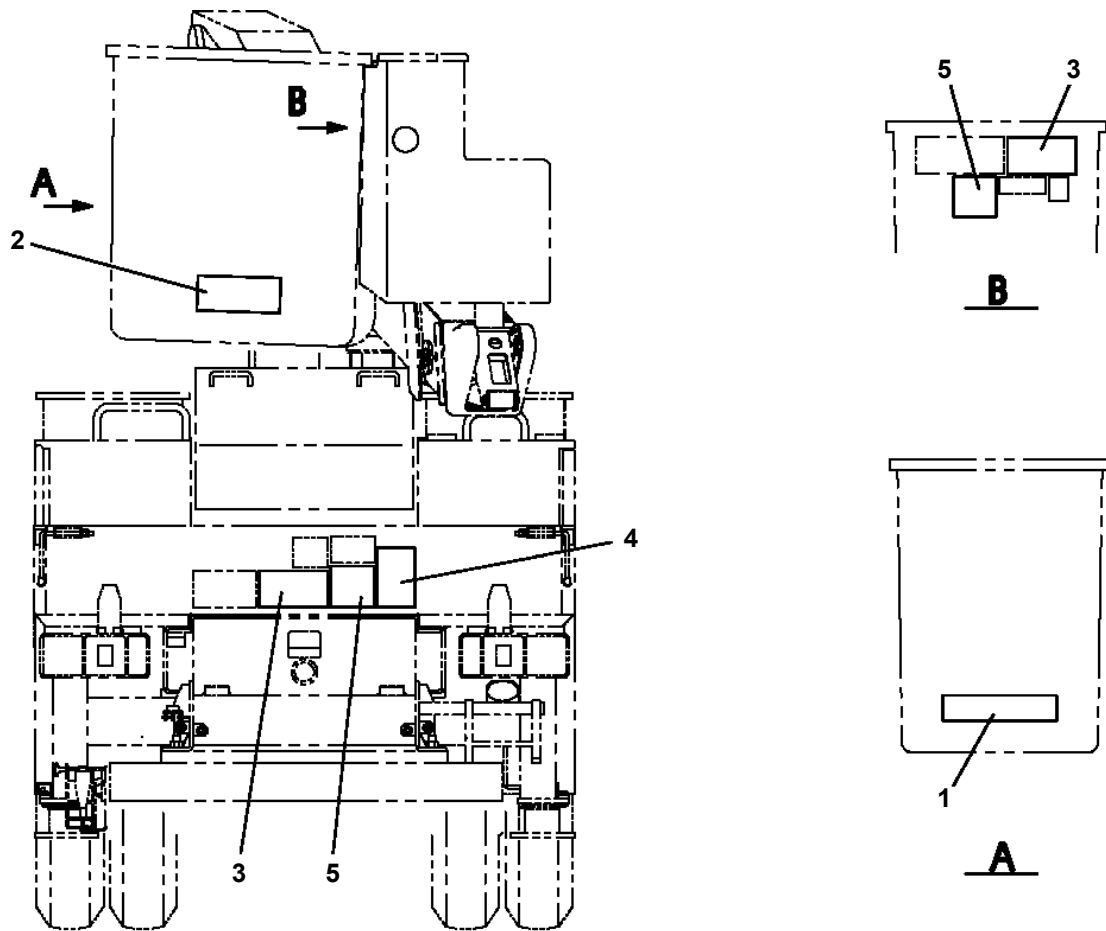
**火気厳禁**

AT-110-4 42084400072 UPPER  
 PO1014719-02 PLATE ASSY,NAME (BOOSTER)



1 ツール	2 タンク	3 ブースタ	4 ブースタ アタ achment ツール	5 <div style="border: 1px solid black; padding: 5px;"> <p><b>△警告 / ブースタ 操作</b></p> <p>○ 圧縮機およびカッタの作動部分には油を入れないでください。</p> <p>○ 圧縮機のダイヤスまたはカッタの交換は、必ずアタッチメント レバー（スイッチ）を中立位置にして行ってください。</p> </div>	6 ア タ achment
----------	----------	-----------	-----------------------------------	--	------------------------

AT-110-4 42084400072 UPPER  
PO1014980-01 PLATE ASSY,NAME (SPECIFICATION)

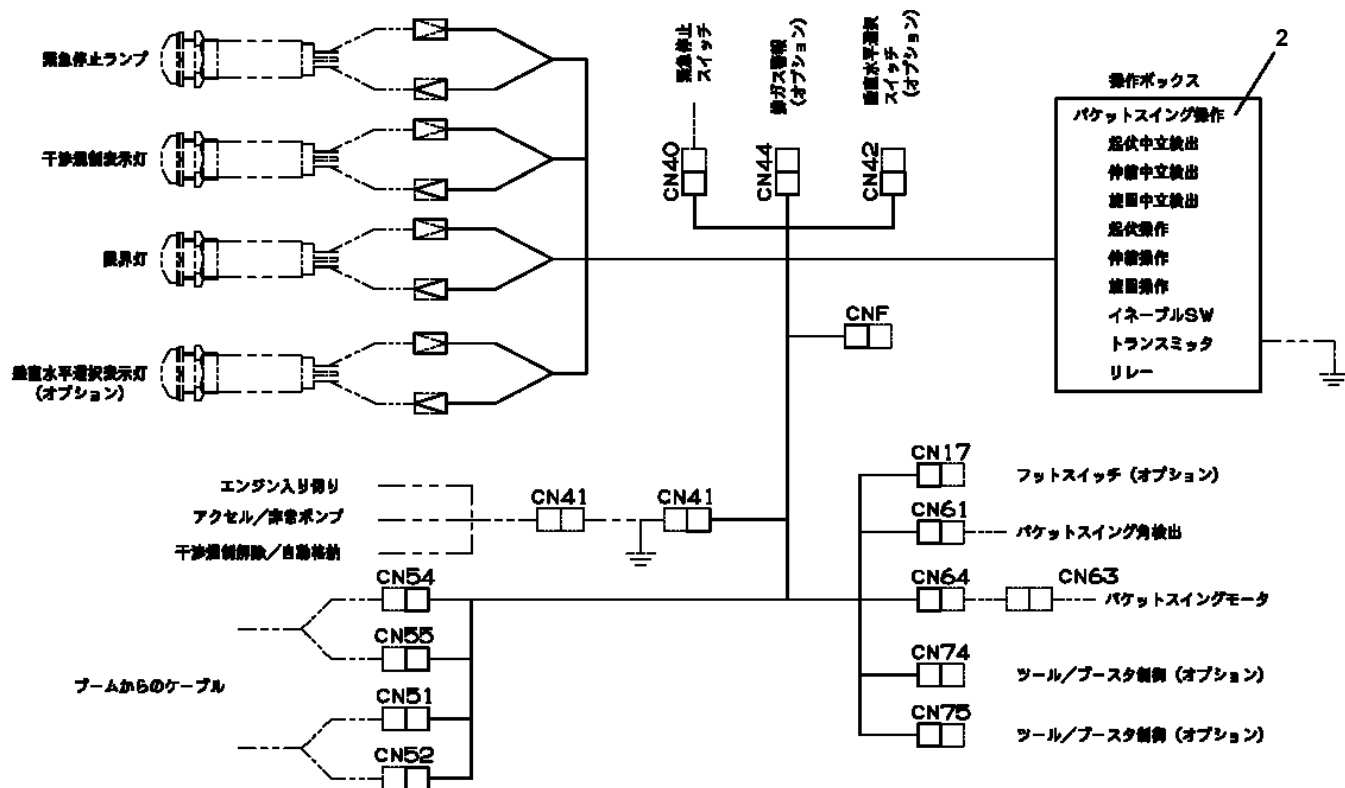


キャブ左後方操作部  
扉を開いた状態

# AT-110-4 42084400072 UPPER

Pos No.	Parts No	Parts Name	Qty	Unit	Technical Data	Serial No (Start)	Serial No (End)	Rema
1	42333207510	CASE	1					
2	42333152000	OPE.ASSY (LEVER,CONTROL)	1					
3	82109323002	SWITCH	1					
4	42333207550	PACKING	1					
5	90187706010	BOLT,HEXAGON SOCKET	4		M6X10			
6	42332502300	CASE (BOTTOM)	1					
8	42333207530	HARNESS ASSY	1					
9	42332502700	COVER (BOARD)	1					
10	82161161125	RELAY	3					
12	42332507610	SPACER	6					
13	80192383008	SCREW,MACHINE	6		M3X8			
14	80192885012	SCREW,MACHINE	13		M5X12			
15	90201200500	NUT	1		M5			
16	90303070501	WASHER,PLAIN	1		5			
17	90302040501	WASHER,SPRING	1		5			
18	42332507620	SPACER	3					
19	42332507630	COVER (RELAY)	1					
107	42332507571	BOARD,CIRCUIT (WITH DATA)	1					
111	82109323004	KNOB (BLACK)	1					
112	82109323005	BOOT (BELLOWS)	1					
200	42333212001	OPE.ASSY	1					

# AT-110-4 42084400072 UPPER PO5050008-00 OPE.ASSY,BUCKET

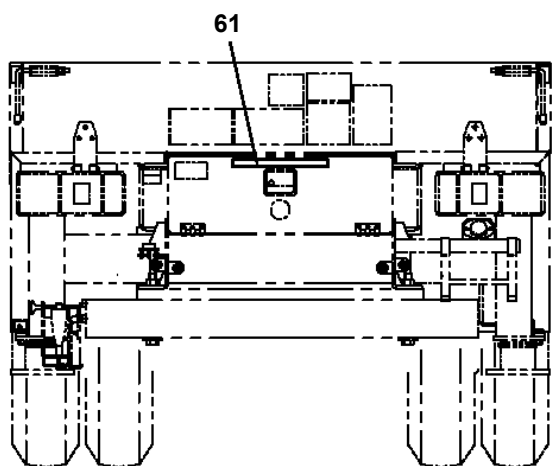
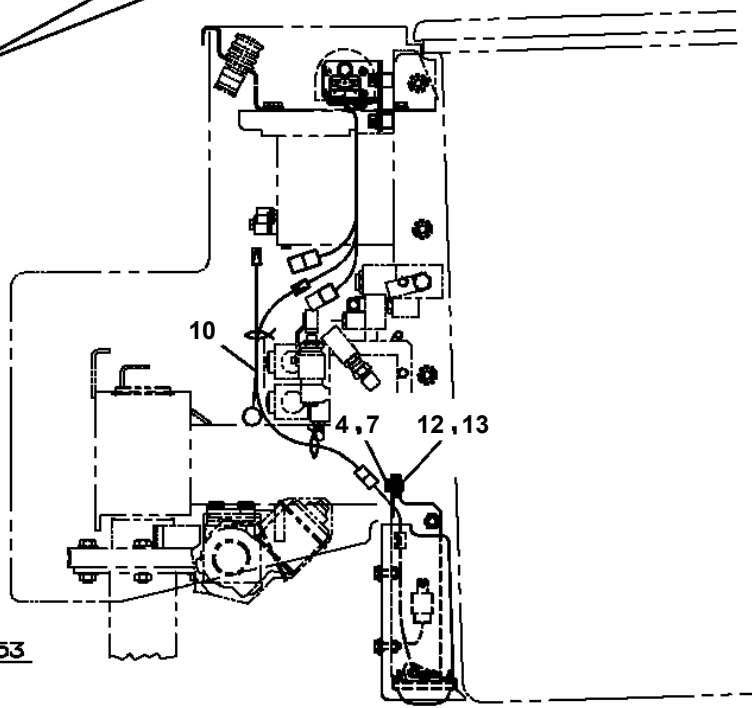
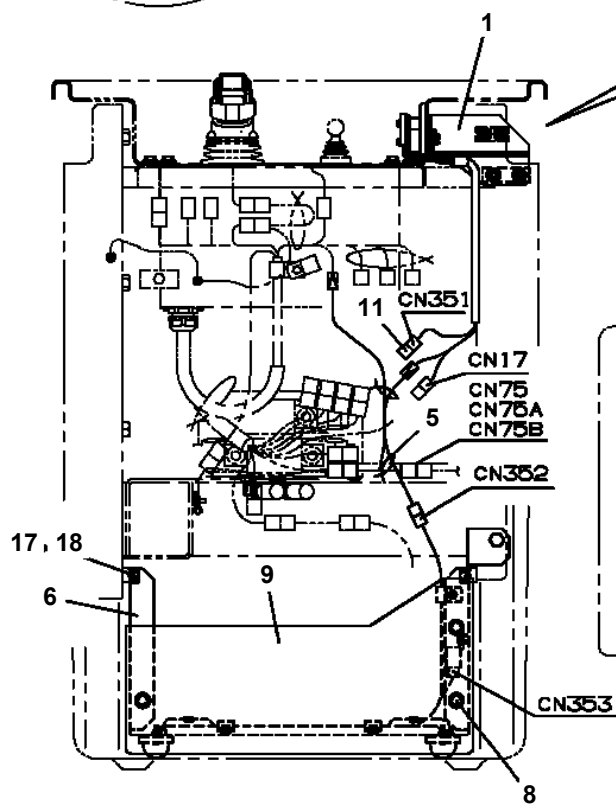
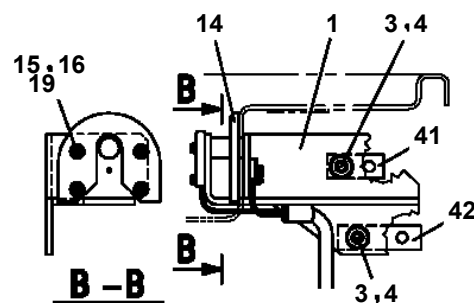
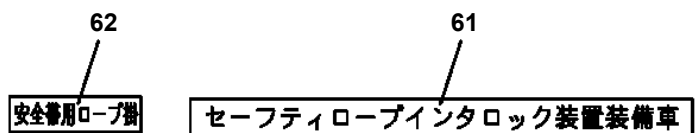
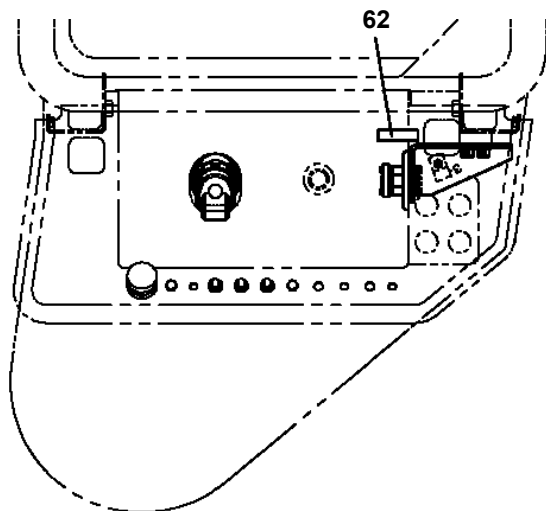


配線接続詳細

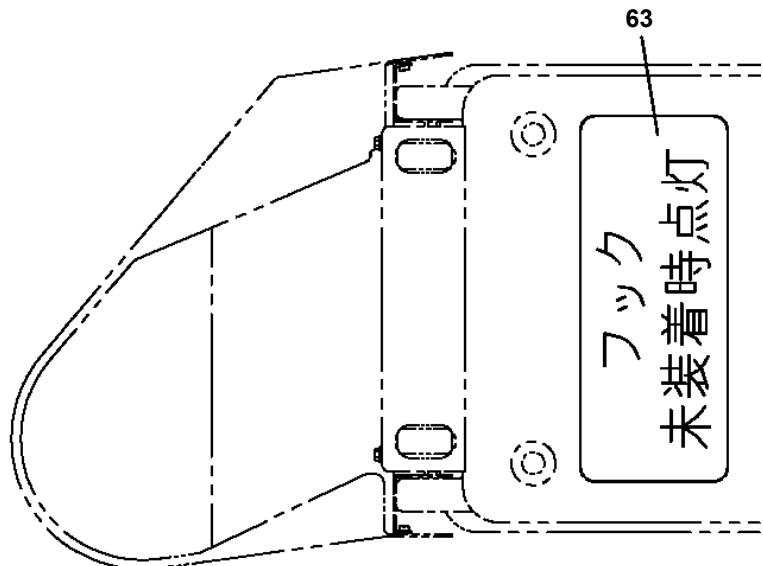
# AT-110-4 42084400072 UPPER

Pos No.	Parts No	Parts Name	Qty	Unit	Technical Data	Serial No (Start)	Serial No (End)
1	42477762010	PLATE,NAME	1				
2	42474471150	HOLDER ASSY(FUSE,WITH HARNESS)	2				
3	42503472100	BOX	1				
4	42477640090	PLATE,NAME (AC100V)	1				
5	90101208030	BOLT	2		M8X30		
6	90201200800	NUT	2		M8		
7	90302040801	WASHER,SPRING	4		8		
8	90303070801	WASHER,PLAIN	N		8		
9	42506831010	SUPPORT	1				
10	90101208016	BOLT	2		M8X16		
11	82100002006	CLAMP	1		WR10		
12	90201200600	NUT	1		M6		
13	90302040601	WASHER,SPRING	1		6		
14	90101206020	BOLT	1		M6X20		
15	90203252200	NUT	1		M22		
32	82100001348	FUSE	2		15A,6.5X30		

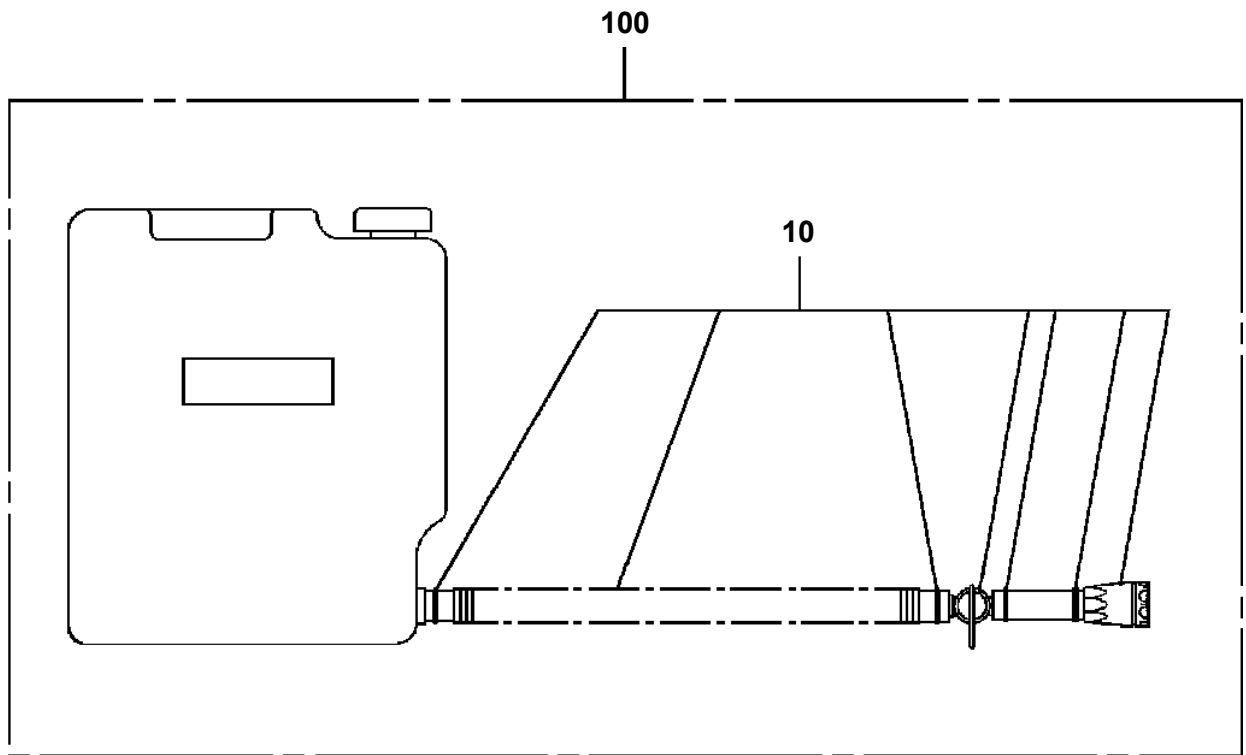
AT-110-4 42084400072 UPPER  
 PS5530076-01 SWITCH ASSY (SAFETY INTERLOCK /120KG:3-ENABLE SW)



車両後方部



**AT-110-4 42084400072 UPPER  
PT5060011-00 TANK ASSY (BATTERY,WATER)**



# AT-110-4 42084400072 UPPER

Pos No.	Parts No	Parts Name	Qty	Unit	Technical Data	Serial No (Start)	Serial No (End)	Remarks	Page
5	91002902500	O-RING	4		1B G25				
8	80316090020	PLUG	4		KKT PT1/8				
9	36606975020	PLUG	1						
10	91002801400	O-RING	1		1B P14				
12	16066241000	SPRING	1						
100	36606970000	VALVE ASSY,RELIEF	1						

# AT-110-4 42084400072 UPPER

Pos No.	Parts No	Parts Name	Qty	Unit	Technical Data	Serial No (Start)	Serial No (End)
1	42474440200	BLOCK,RUBBER (WAZUMI)	4				
	42474440300	BLOCK,RUBBER (NAKAMURA)	4				
2	42460012540	WEDGE (STOPPER FOR TIRE/NAKAMURA KIKI)	4				HK0777
	42460012530	WEDGE (STOPPER FOR TIRE/WAZUMI)	4				HK0777
	42460012550	WEDGE (STOPPER FOR TIRE/JUSTIN)	4				
3	42470330000	ROPE (SAFETY,YELLOW:TD-TYPE)	1				
4	(*****)	CHARGER INSTALLATION(200V)	1				
8	42738981000	TANK ASSY (BATTERY,WATER)	1			219418	

# AT-110-4 42084400072 UPPER

Pos No.	Parts No	Parts Name	Qty	Unit	Technical Data	Serial No (Start)	Serial No (End)
1	42460012540	WEDGE (STOPPER FOR TIRE/NAKAMURA KIKI)	1				

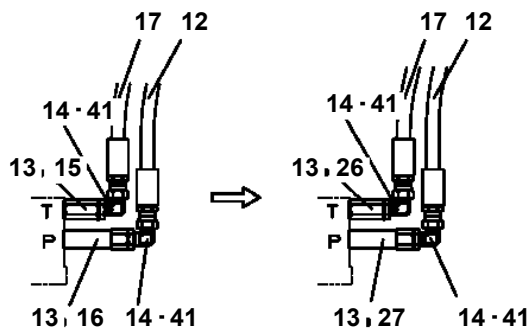
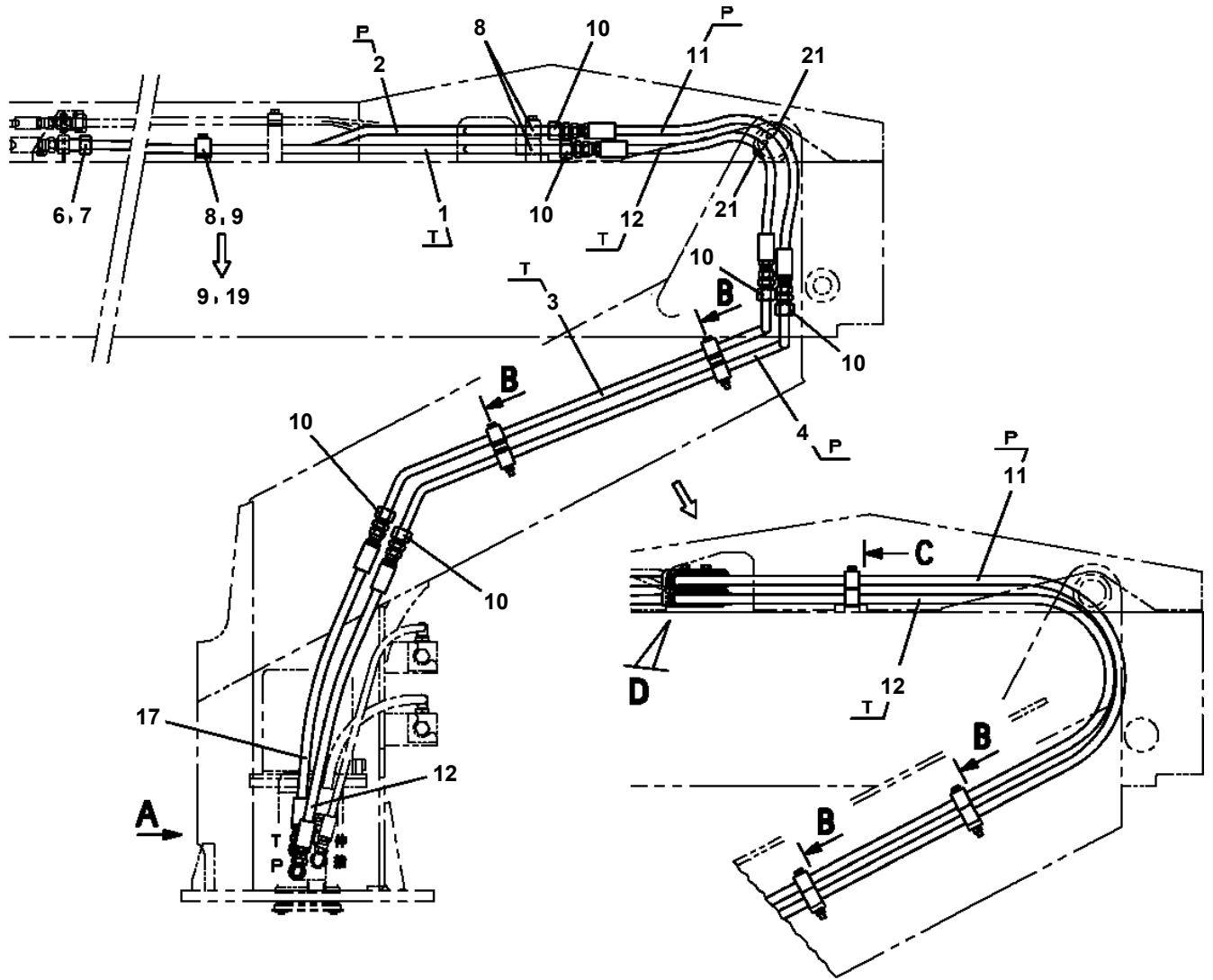
# AT-110-4 42084400072 UPPER

Pos No.	Parts No	Parts Name	Qty	Unit	Technical Data	Serial No (Start)	Serial No (End)	Remarks	Pages
1	42393891100	PLATE (NON-SLIP)	1						
2	42506060100	SUPPORT	1				219910		
	42506060101	SUPPORT	1			219911			
3	90101210020	BOLT	2		M10X20				
4	90302041001	WASHER,SPRING	2		10				

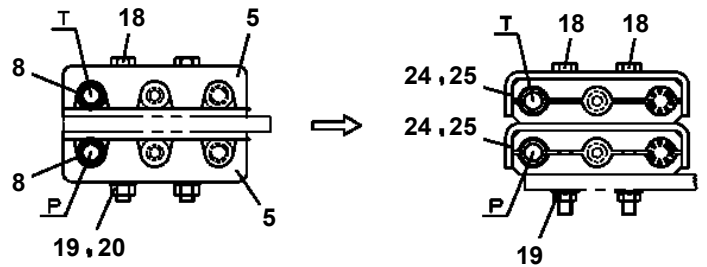
AT-110-4 42084400072 UPPER  
 PY1160219-00 BOOSTER (AIR/40T,TEMPORARY SUPPORT,PULSE)

指示番号 KEY NO.	ブースタ (エアシキ/40T,カリホシツキ,パルスシキ,ユアツトリタシツキ) BOOSTER
1	ブースタ BOOSTER
2	プレートASSY,ネーム PLATE ASSY,NAME
3	パイピング,アウトレット (アツパー) PIPING,OUTLET (UPPER)
4	パイピング,アウトレット (ロー) PIPING,OUTLET (LOWER)
5	スイッチ,ブースタ SWITCH,BOOSTER
9	スイッチ パネル SWITCH PANEL
10	スイッチ ASSY SWITCH ASSY

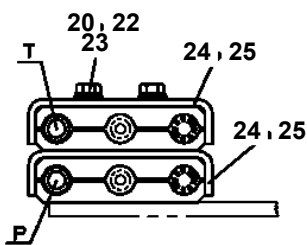
**AT-110-4 42084400072 UPPER  
PY1210128-02 PIPING,OUTLET (UPPER)**



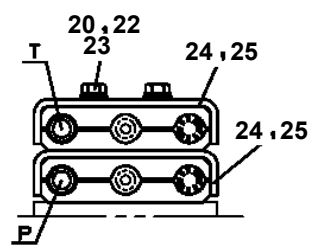
**A**



**B**



**C**



**D**

# AT-110-4 42084400072 UPPER

Pos No.	Parts No	Parts Name	Qty	Unit	Technical Data	Serial No (Start)	Serial No
1	42474030000	STEP, BUCKET (GRAY, FOR BUCKET INNER)	1				

CLICK HERE TO **DOWNLOAD** THE COMPLETE MANUAL

- Thank you very much for reading the preview of the manual.
- You can download the complete manual from: [www.heydownloads.com](http://www.heydownloads.com) by clicking the link below



- Please note: If there is no response to CLICKING the link, please download this PDF first and then click on it.

CLICK HERE TO **DOWNLOAD** THE COMPLETE MANUAL