

AT-110-4 42084444700 LOWER,ISUZU TPG-NKR85AN-EE5AHY-JM

PB3000221-00 POWER UNIT
PO1000149-00 INDICATION PLATES
PX2001715-00 CARRIER UNIT
PX3000796-00 MOUNTING UNIT
PY1001366-01 OPTIONS
ASSEMBLY

CLICK HERE TO **DOWNLOAD** THE COMPLETE MANUAL

- Thank you very much for reading the preview of the manual.
- You can download the complete manual from: www.heydownloads.com by clicking the link below



- Please note: If there is no response to CLICKING the link, please download this PDF first and then click on it.

CLICK HERE TO **DOWNLOAD** THE COMPLETE MANUAL

AT-110-4 42084444700 LOWER,ISUZU TPG-NKR85AN-EE5AHY-JM

Pos No.	Parts No	Parts Name	Qty	Unit	Technical Data	Serial
1	(*****)	SUPPORT (FIXED LADDER REST,2-DECKER/2007)	1			
2	(*****)	SUPPORT (SWIVEL LADDER REST,2-DECKER/2007)	1			
3	(*****)	MOUNT ASSY,TOOL BOX (LEFT:2-DECKER,DRAWER/2LINEX2)	1			
	(*****)	BOX,TOOL (DRAWER FOR LEFT TOOL BOX:2007,2010)	1			
4	(*****)	BUZZER (JACK)	1			
5	(*****)	EARTHING DEVICE	1			
8	(*****)	STEP (FOR KANDENKOU)	1			
9	(*****)	MOUNT	1			
10	(*****)	REFLECTOR (CARRIER)	1			
11	(*****)	VIEW SYSTEM (FOR ISUZU,NISSAN,MAZDA)	1			
12	(*****)	COVER ASSY (FOR KINDEN/ISUZU /ENGINE UPPER PART COVER)	1			
16	(*****)	EARTH ASSY	1			

AT-110-4 42084444700 LOWER,ISUZU TPG-NKR85AN-EE5AHY-JM

Pos No.	Parts No	Parts Name	Qty	Unit	Technical Data	Serial No (Start)	Serial No (End)	Re
2	42838487510	DOOR	1					
3	42838487520	DOOR	1					
4	42835717530	STOPPER	4					
5	42835487650	HINGE	6					
6	42835867870	CATCH	2					
7	42836317950	WEATHER STRIP	4	M				
8	42836317950	WEATHER STRIP	4	M				
9	82400000393	INSULATOR	2					
10	42838477510	GAS SPRING	1					
11	42838477540	BOLT ASSY (FOR DAMPER)	2					
12	42835717560	SUPPORT	1					
13	42834917570	SCREW,MACHINE (SEMS)	12		M5X14			
14	42835717580	SCREW,MACHINE (WITH W,NUT)	2		M4X16			
15	42833077610	BUSH	14					
16	80175805012	SCREW,MACHINE	18		M5X12			
17	42838477520	SUPPORT	1					
18	42838127510	BOLT (WITH SW,NUT)	4		M6X16			
19	42838477530	SUPPORT	1					
20	42838487550	GUIDE	1					
22	42835587520	SCREW,MACHINE (WITH SW)	2		M6X14			
23	42835797580	PLUG (HOLE)	16					
24	42835717650	SEAT	1					
25	42835717660	SEAT	1					
27	99164408016	BOLT (M8X16,WITH WASHER)	17					
28	42835717670	SUPPORT	1					
29	42835717680	SUPPORT	1					
30	42835717690	BOLT (WITH W)	4		M8X12			
31	42835717700	SEAL ASSY	1					
32	42835717790	BOLT (WITH W,2PIECES)	1		M10X12			
33	42835717750	BOLT (WITH W,SW,NUT)	4		M10X25			
34	42835717760	PLATE	2					
35	42836317930	PLATE	6					
36	99163006014	BOLT,SEMS (M6X14)	2					
37	42838117510	CATCH	2					
38	42838487540	PLATE	6					
39	37000512320	PLATE	2					
100	42838481000	BOX,TOOL	1					

AT-110-4 42084444700 LOWER,ISUZU TPG-NKR85AN-EE5AHY-JM

Pos No.	Parts No	Parts Name	Qty	Unit	Technical Data	Serial No (Start)	Serial No (End)	Remarks	Pages
1	42838487570	PACKING	2						
2	42837367520	PACKING	7						
3	42838487580	BOLT,BUTTON	4						
4	42838487590	WASHER	4						
5	42838487630	BOLT	3						
6	42838487600	WASHER	7						
7	42838487610	BOLT	4						
8	42838487620	PLATE	2						
9	42838347530	PACKING	1						
10	42838347540	PACKING	1						
100	42838347520	PACKING ASSY	1						

AT-110-4 42084444700 LOWER,ISUZU TPG-NKR85AN-EE5AHY-JM

Pos No.	Parts No	Parts Name	Qty	Unit	Technical Data	Serial No (Start)	Serial No (End)	Remarks	Pages
1	42421702800	CABLE ASSY	1		L=2500				
2	90101206012	BOLT	1		M6X12				
3	90302040601	WASHER,SPRING	1		6				
4	90303070601	WASHER,PLAIN	1		6				
5	91810132530	FASTENER	5						

AT-110-4 42084444700 LOWER,ISUZU TPG-NKR85AN-EE5AHY-JM

Pos No.	Parts No	Parts Name	Qty	Unit	Technical Data	Serial No (Start)	Serial No (End)	Remarks	Pages
1	42739962100	VIEW SYSTEM	1						000028
2	91810130240	FASTENER	10						

CLICK HERE TO **DOWNLOAD** THE COMPLETE MANUAL

- Thank you very much for reading the preview of the manual.
- You can download the complete manual from: www.heydownloads.com by clicking the link below



- Please note: If there is no response to CLICKING the link, please download this PDF first and then click on it.

CLICK HERE TO **DOWNLOAD** THE COMPLETE MANUAL

AT-110-4 42084444700 LOWER,ISUZU TPG-NKR85AN-EE5AHY-JM

Pos No.	Parts No	Parts Name	Qty	Unit	Technical Data	Serial No (Start)	Serial No (End)	Remarks	Pages
2	42739937510	BRACKET	1				HK1028		
3	42739937520	HOOD	1				HK1028		
10	42739937530	BRACKET ASSY	1				HK1028		
21	42739937511	BRACKET	1			HK1029			
31	42739937521	HOOD	1			HK1029			
100	42739931150	CAMERA	1						

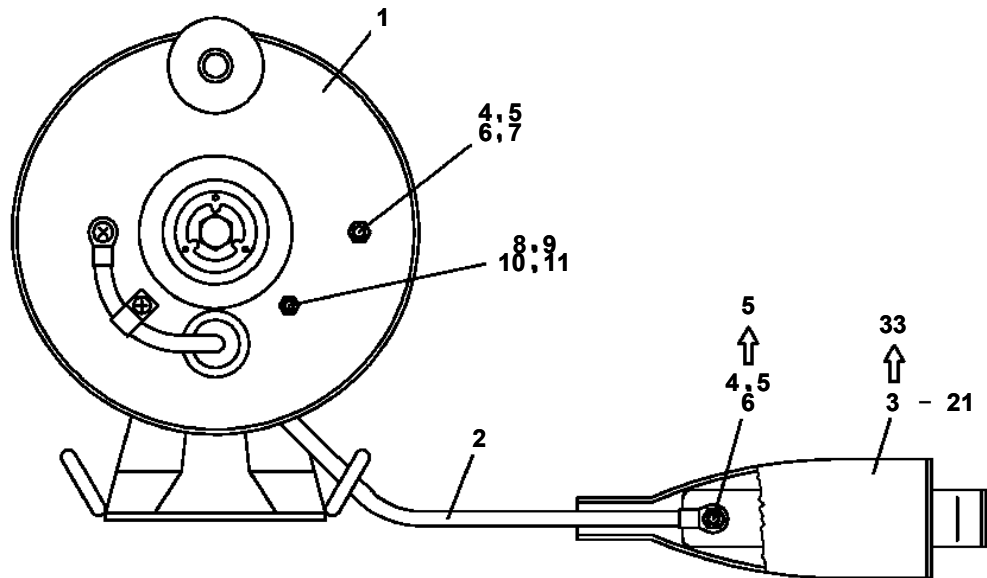
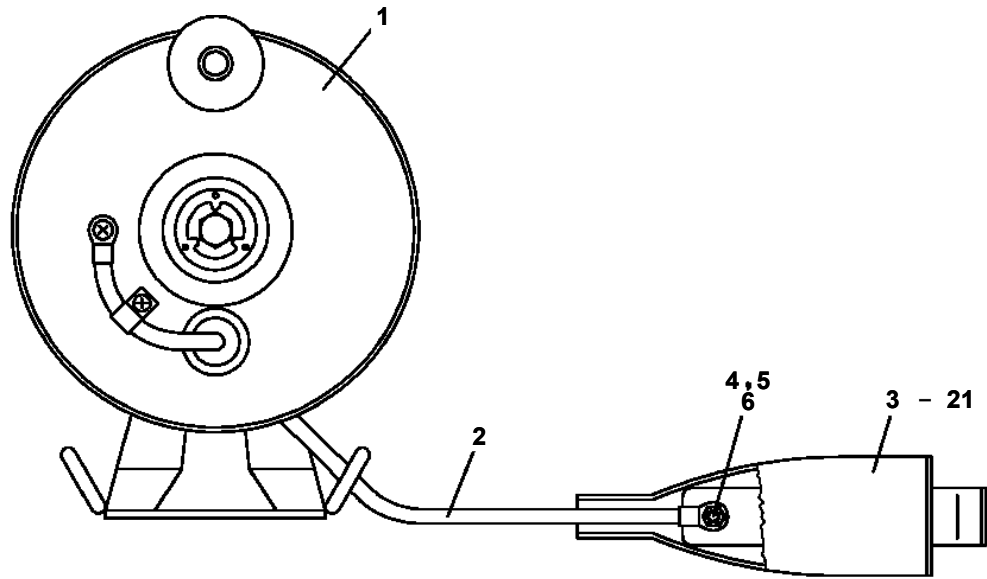
AT-110-4 42084444700 LOWER,ISUZU TPG-NKR85AN-EE5AHY-JM

Pos No.	Parts No	Parts Name	Qty	Unit	Technical Data	Serial No (Start)	Serial No (End)	Remarks	Pages
100	42935710100	HARNESS	1						

AT-110-4 42084444700 LOWER,ISUZU TPG-NKR85AN-EE5AHY-JM

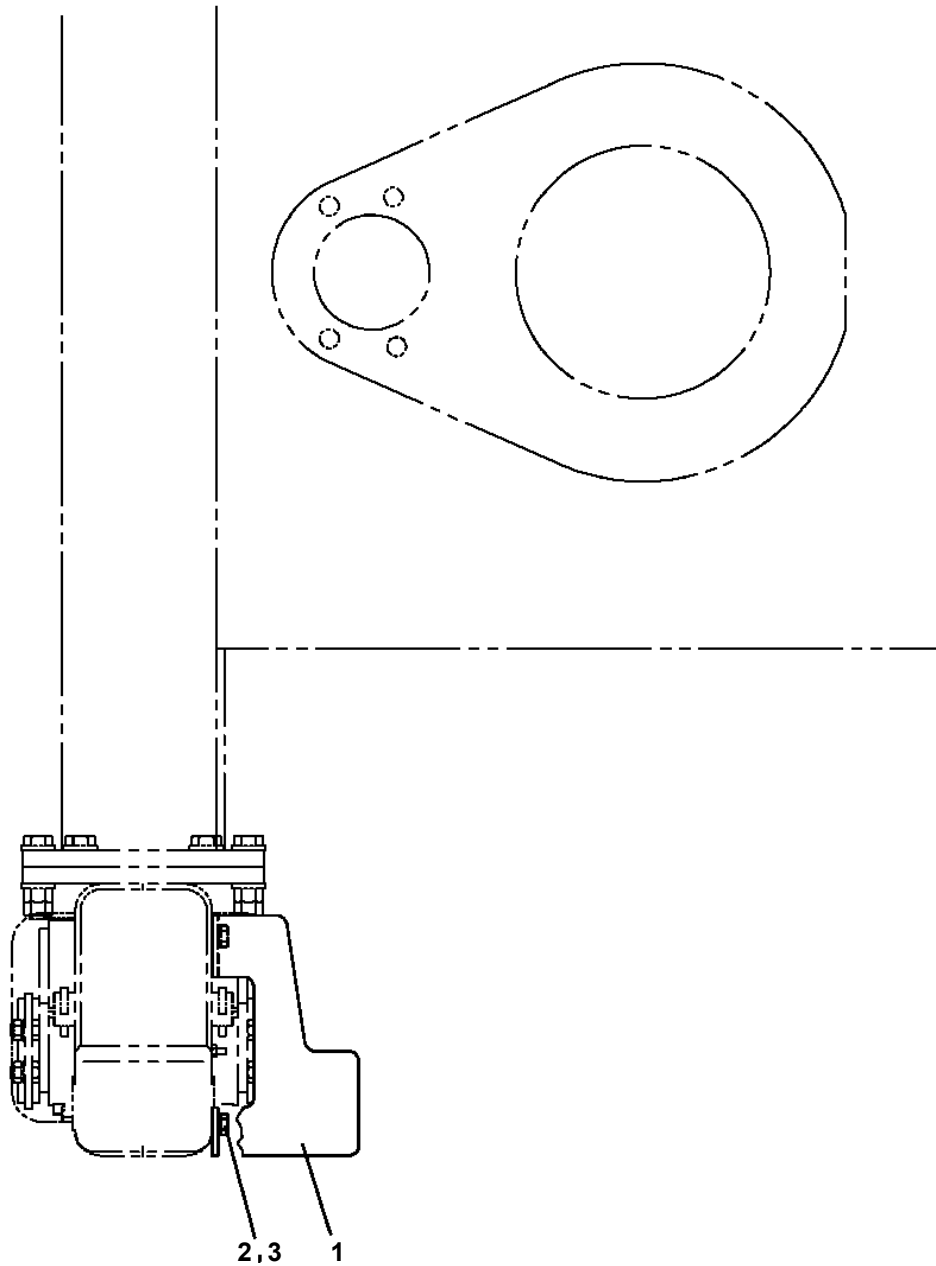
Pos No.	Parts No	Parts Name	Qty	Unit	Technical Data	Serial No (Start)	Serial No (End)	Remarks	Pages
1	42715440100	HARNESS	1						000038
2	82420809512	TRIM	1	M		HK1729			

AT-110-4 42084444700 LOWER,ISUZU TPG-NKR85AN-EE5AHY-JM
PN1350111-02 REEL,CORD

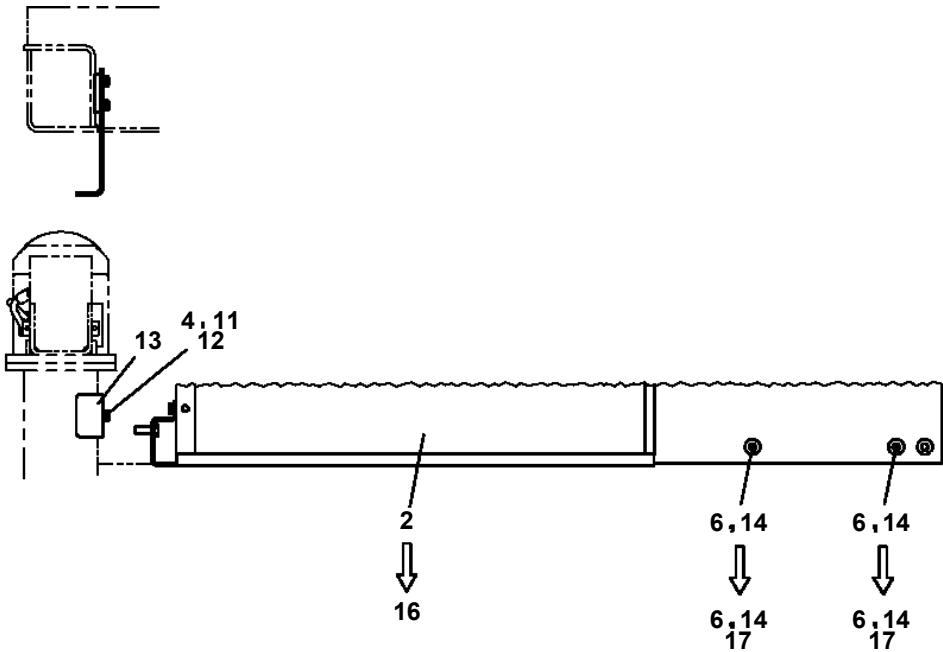


AT-110-4 42084444700 LOWER, ISUZU TPG-NKR85AN-EE5AHY-JM
PX1260254-00 STEP

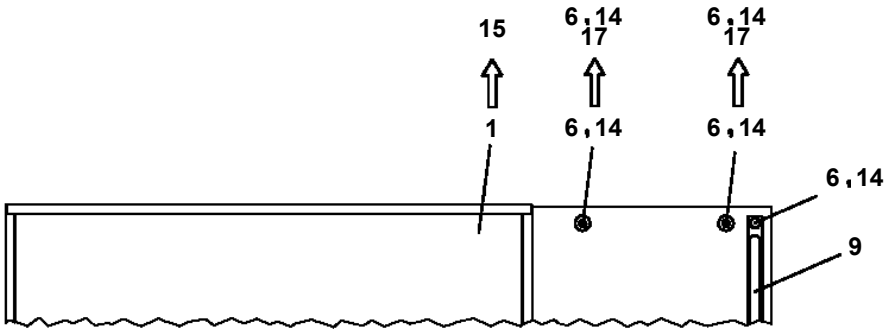
FRONT ←



AT-110-4 42084444700 LOWER,ISUZU TPG-NKR85AN-EE5AHY-JM
PX1351049-02 BOX,TOOL (LEFT & RIGHT,DOUBLE-DECKER/2007)

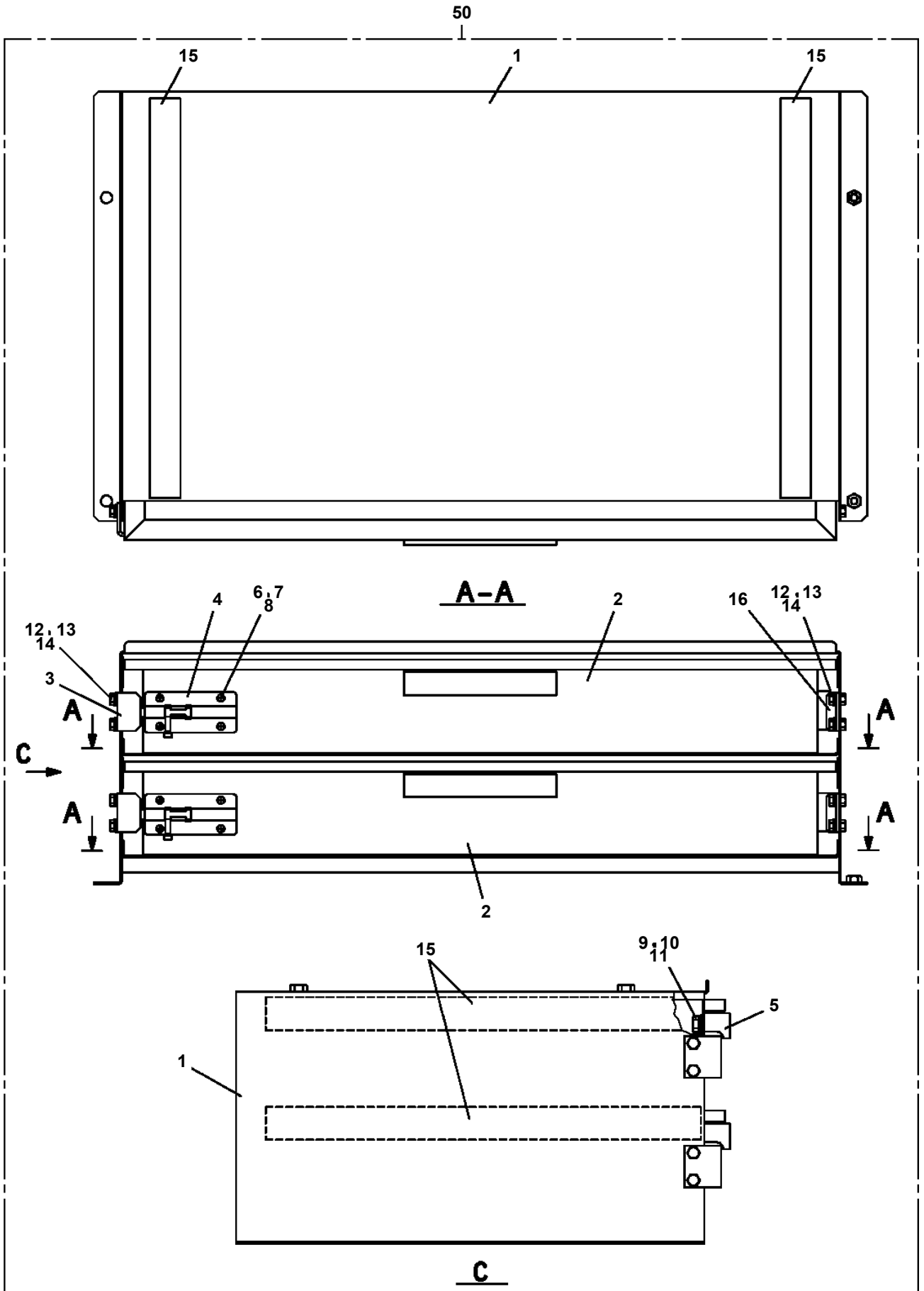


C

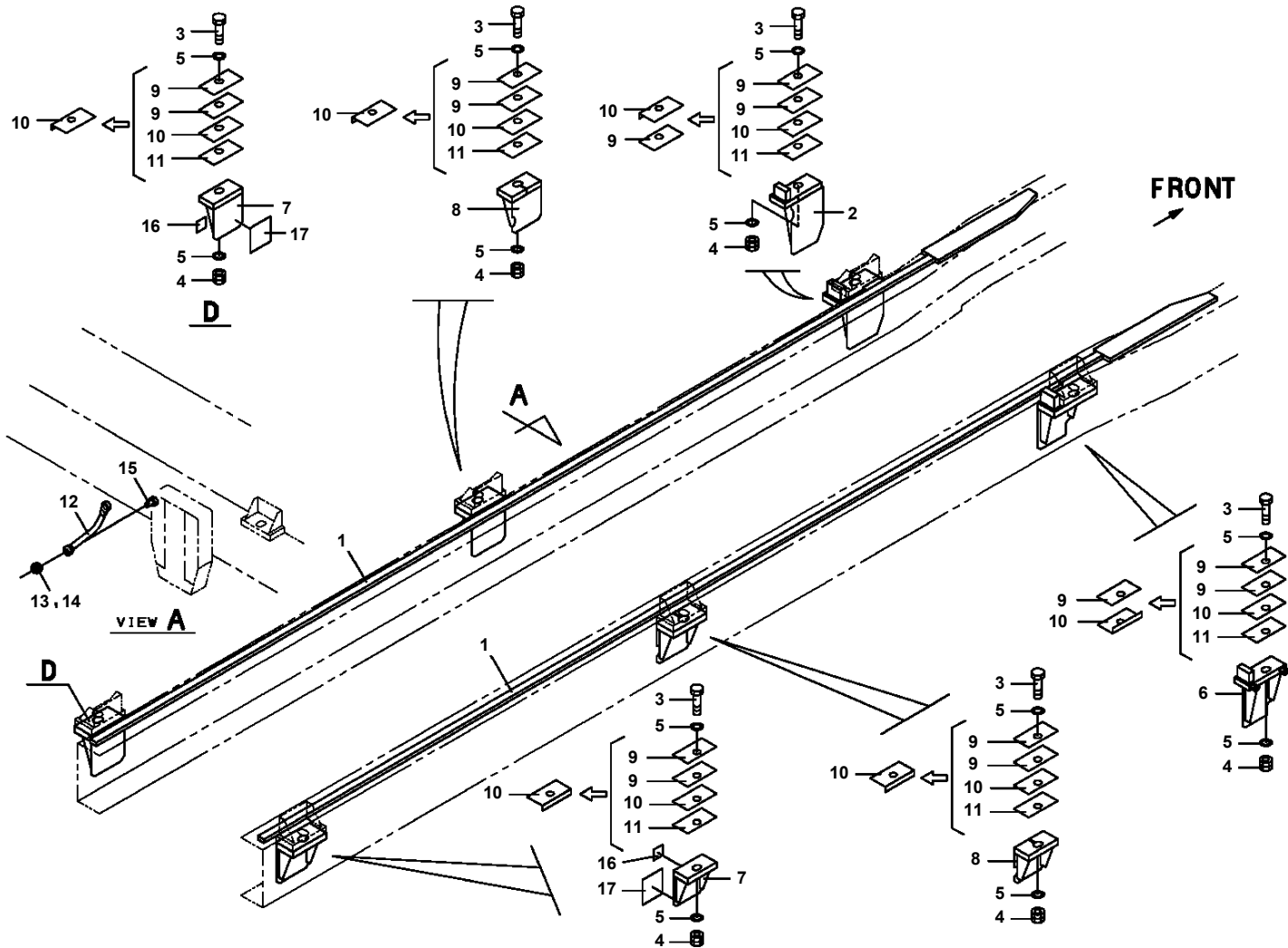


D

AT-110-4 42084444700 LOWER, ISUZU TPG-NKR85AN-EE5AHY-JM
PX1351188-00 BOX, TOOL



**AT-110-4 42084444700 LOWER,ISUZU TPG-NKR85AN-EE5AHY-JM
PX5360048-01 MOUNT ASSY,FRAME**



CLICK HERE TO **DOWNLOAD** THE COMPLETE MANUAL

- Thank you very much for reading the preview of the manual.
- You can download the complete manual from: www.heydownloads.com by clicking the link below



- Please note: If there is no response to CLICKING the link, please download this PDF first and then click on it.

CLICK HERE TO **DOWNLOAD** THE COMPLETE MANUAL