

**AT-110-4 42084431200 LOWER,HINO BDG-XZU304X-TYMMB6**

**PB3000089-00 POWER UNIT**

**PO1000149-00 INDICATION PLATES**

**PX2000950-00 CARRIER UNIT**

**PX3000308-01 MOUNTING UNIT**

**PY1001273-04 OPTIONS AT-110TT-4**

**ASSEMBLY**

CLICK HERE TO **DOWNLOAD** THE COMPLETE MANUAL

- Thank you very much for reading the preview of the manual.
- You can download the complete manual from: [www.heydownloads.com](http://www.heydownloads.com) by clicking the link below



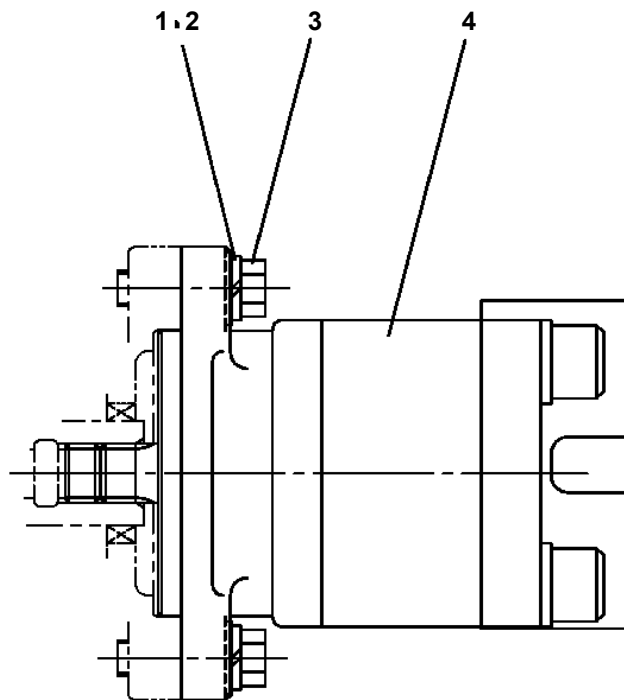
- Please note: If there is no response to CLICKING the link, please download this PDF first and then click on it.

CLICK HERE TO **DOWNLOAD** THE COMPLETE MANUAL

# AT-110-4 42084431200 LOWER,HINO BDG-XZU304X-TYMMB6

Pos No.	Parts No	Parts Name	Qty	Unit	Technical Data	Serial No (Start)
1	(***** *****)	POWER SUPPLY (LOWER)	1			
	(***** *****)	POWER SUPPLY (LOWER)	1			219120
2	(***** *****)	WOOD BLOCK	1			
	(***** *****)	WOOD BLOCK	1			219120
3	(***** *****)	WOOD BLOCK	1			
4	(***** *****)	VIEW SYSTEM (FOR ISUZU,NISSAN,MAZDA)	1			
	(***** *****)	VIEW SYSTEM (FOR MITSUBISHI)	1			
	(***** *****)	VIEW SYSTEM (FOR HINO,TOYOTA)	1			
5	(***** *****)	SUPPORT (FIXED RADDER REST)	1			
	(***** *****)	SUPPORT (FIXED LADDER REST,1-DECKER/2007)	1			
	(***** *****)	SUPPORT (FIXED LADDER REST,2-DECKER/2007)	1			
6	(***** *****)	SUPPORT (1-DECK & FOR SHELF SLIDE BOX/2007,2010)	1			
	(***** *****)	SUPPORT	1			
7	(***** *****)	BOX,TOOL (DRAWER/2007)	1			
	(***** *****)	BOX,TOOL (OPTION)	1			
	(***** *****)	BOX,TOOL (DRAWER FOR LEFT TOOL BOX:2007,2010)	1			219342
9	(***** *****)	WEIGHT	1			
11	(***** *****)	BUZZER (JACK)	1			
15	(***** *****)	BOOM REST	1			219120
16	(***** *****)	ALARM ASSY	1			219917
17	(***** *****)	LOCK ASSY (CAB DOOR LOCK CONROL)	1			HK0145
18	(***** *****)	LOCK ASSY (CAB DOOR LOCK CONROL)	1			HK0145

**AT-110-4 42084431200 LOWER,HINO BDG-XZU304X-TYMMB6  
PB1110007-01 PUMP INSTALLATION**



# AT-110-4 42084431200 LOWER,HINO BDG-XZU304X-TYMMB6

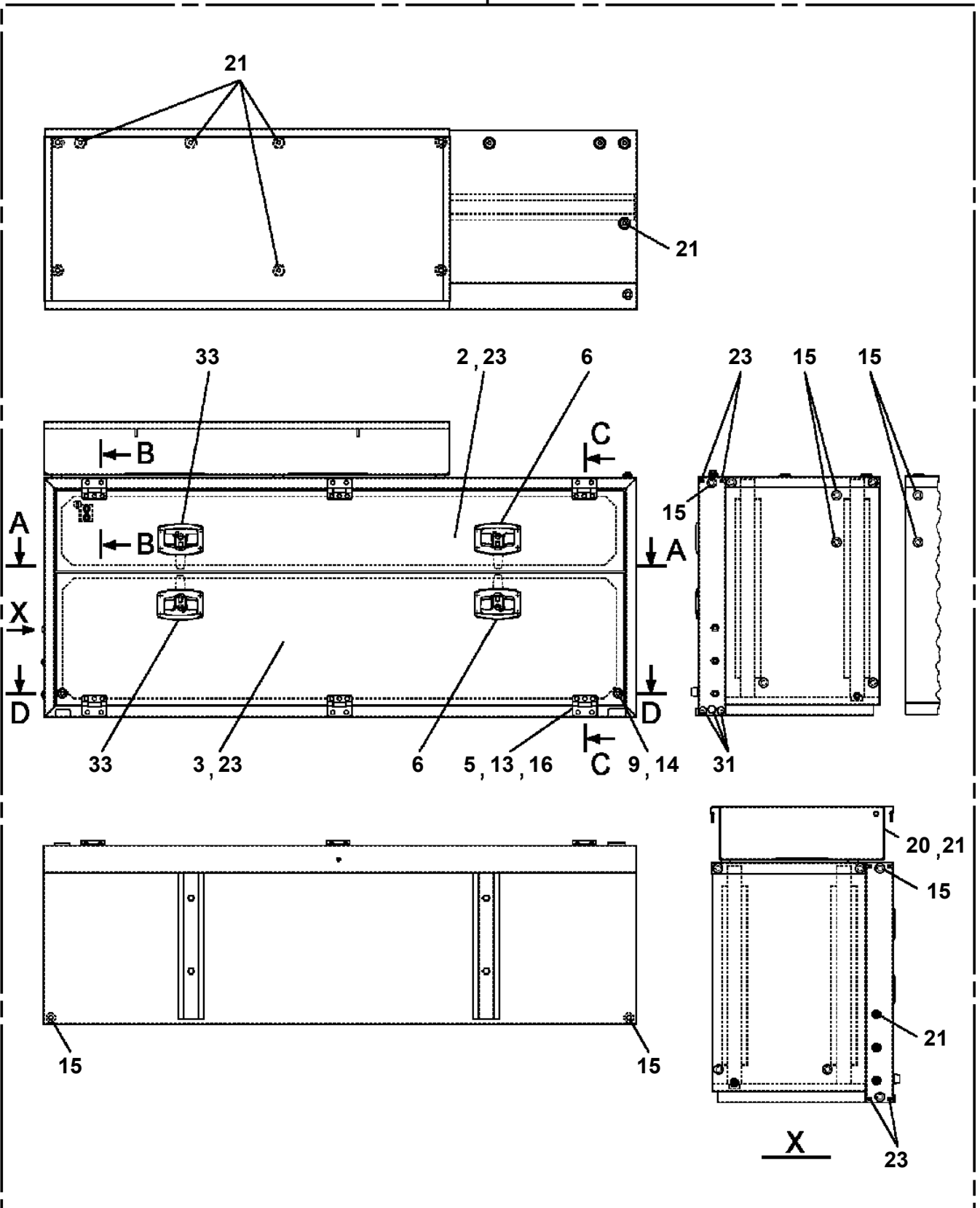
Pos No.	Parts No	Parts Name	Qty	Unit	Technical Data	Serial No (Start)	Serial No (End)	Re
2	90101208016	BOLT	4		M8X16			
3	90302040801	WASHER,SPRING	6		8			
4	81408000210	PIPE,STEEL	1	M	15X2.0T			
5	80303130181	FITTING,ELBOW	1		KLO15-030E			
6	81408000210	PIPE,STEEL	1	M	15X2.0T			
7	80303010120	FITTING,ELBOW	1		KLA15-000N			
8	37002413340	HOSE	1		L=970			
9	81408000210	PIPE,STEEL	1	M	15X2.0T			
10	42970343400	SUPPORT	1					
11	82100001413	TUBE,SPIRAL	1	M	SE-15BK			
12	80301010100	FITTING	6		KUA12-000N			
13	81408000160	PIPE,STEEL	1	M	12X1.4T			
14	81408000160	PIPE,STEEL	1	M	12X1.4T			
15	80302090201	FITTING	1		KCO15-040N			
16	37000711410	CLAMP ASSY	3		12-4			
17	81408000160	PIPE,STEEL	3	M	12X1.4T			
18	81408000160	PIPE,STEEL	3	M	12X1.4T			
19	81408000160	PIPE,STEEL	1	M	12X1.4T			
20	81408000160	PIPE,STEEL	1	M	12X1.4T			
21	80456010610	JOINT,SELF SEALING	1					
22	80456020610	JOINT,SELF SEALING	1					
23	91002801800	O-RING	1		1B P18			
24	90101208012	BOLT	2		M8X12			
25	42502314050	COVER	1					
26	81408000160	PIPE,STEEL	1	M	12X1.4T			
27	81408000160	PIPE,STEEL	1	M	12X1.4T			
51	42970341200	SWITCH ASSY (WITH HARNESS)	1					
52	42737751010	PLATE,NAME	1					
53	42970341100	HARNESS	1		L=300			
54	91810130240	FASTENER	4					
71	42739321100	SUPPORT	1					
91	36742160000	VALVE ASSY,SOLENOID	1			219954		
92	36605110000	VALVE,RELIEF	1					
93	42970343110	JOINT	1					
94	91002801400	O-RING	8		1B P14			
95	37000925030	JOINT	1		PF3/8-PF3/8			
96	80471020503	JOINT	1		45,G3/8-G3/8			
97	80302090181	FITTING	1		KCO15-030N			
99	80302090161	FITTING	2		KCO12-030N			
100	42344290500	JOINT	1					
101	80303130181	FITTING,ELBOW	1		KLO15-030E			
102	90172105085	BOLT,HEXAGON SOCKET	4		M5X85			
111	91071011500	O-RING	1		Y22550-115-A			
121	42340017550	CAP (DUST)	1					
131	36645350000	VALVE,SOLENOID	1				219953	
132	82114101020	CONNECTOR (2P,MALE)	1				219953	
133	82111101010	TERMINAL	2				219953	
134	82121101085	PLUG (AVS0.85)	2				219953	
135	82121102020	HOLDER	1				219953	
151	42643051000	SWITCH ASSY (THERMO)	1					

# AT-110-4 42084431200 LOWER,HINO BDG-XZU304X-TYMMB6

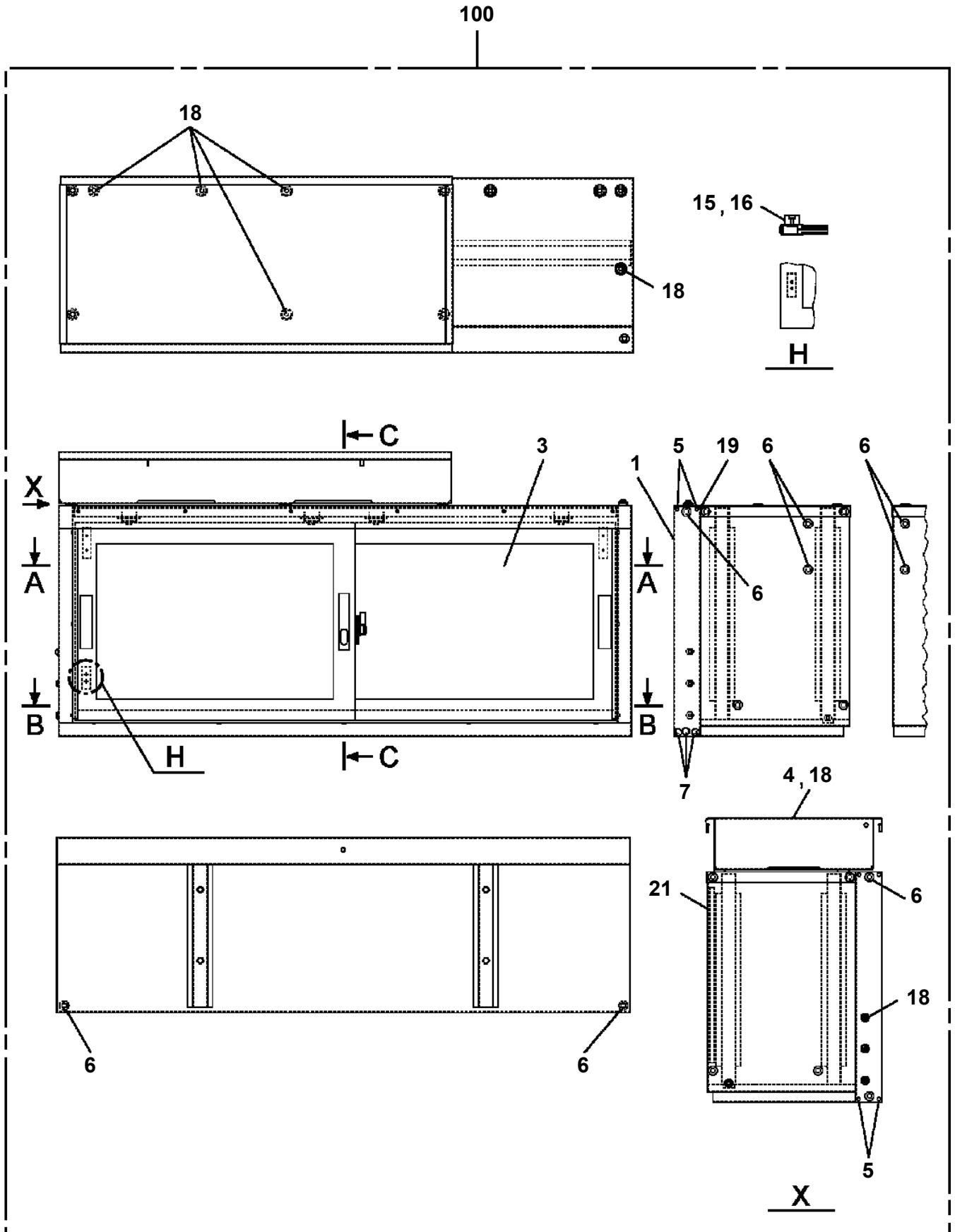
Pos No.	Parts No	Parts Name	Qty	Unit	Technical Data	Serial No (Start)	Serial No (End)	Re
2	42836147510	DOOR	1					
3	42833867750	HINGE	3					
4	42835867870	CATCH	1					
5	42836317950	WEATHER STRIP	4	M				
6	82400000393	INSULATOR	2					
7	42835717570	SCREW,MACHINE (WITH SW)	18		M5X16			
8	42835717580	SCREW,MACHINE (WITH W,NUT)	2		M4X16			
9	42833077610	BUSH	14					
10	42835717720	GUIDE	1					
11	42835717810	PACKING	1					
12	42835797580	PLUG (HOLE)	4					
13	42835717590	PLATE	6					
14	42836147520	SEAT	1					
15	99163006012	BOLT	4		M6X12			
16	42836057550	PLATE	2					
17	42838117510	CATCH	1					
100	42838113000	BOX,TOOL	1					

AT-110-4 42084431200 LOWER,HINO BDG-XZU304X-TYMMB6  
PB5410016-00 BOX,TOOL

100



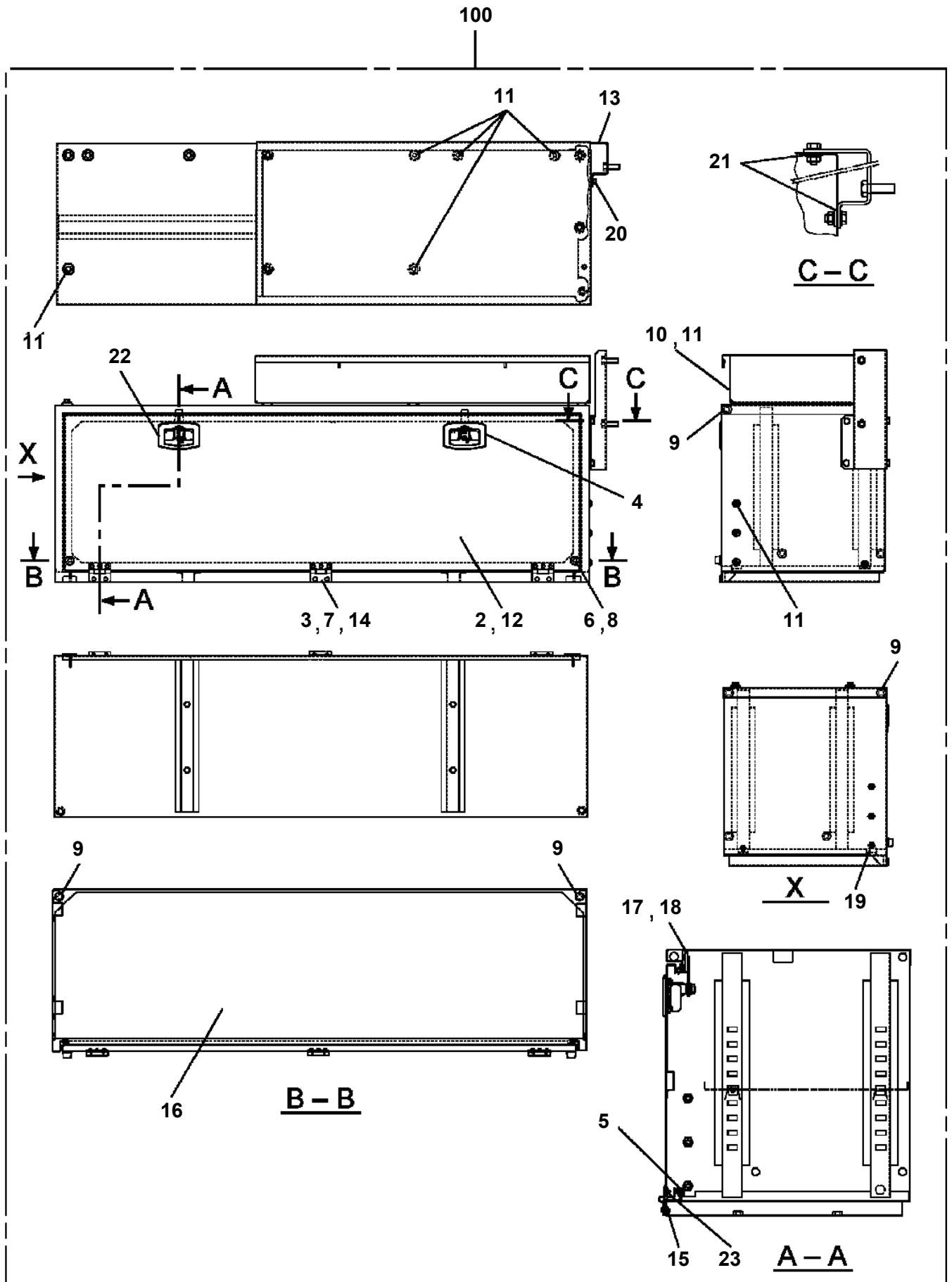
AT-110-4 42084431200 LOWER,HINO BDG-XZU304X-TYMMB6  
PB5410020-00 BOX,TOOL



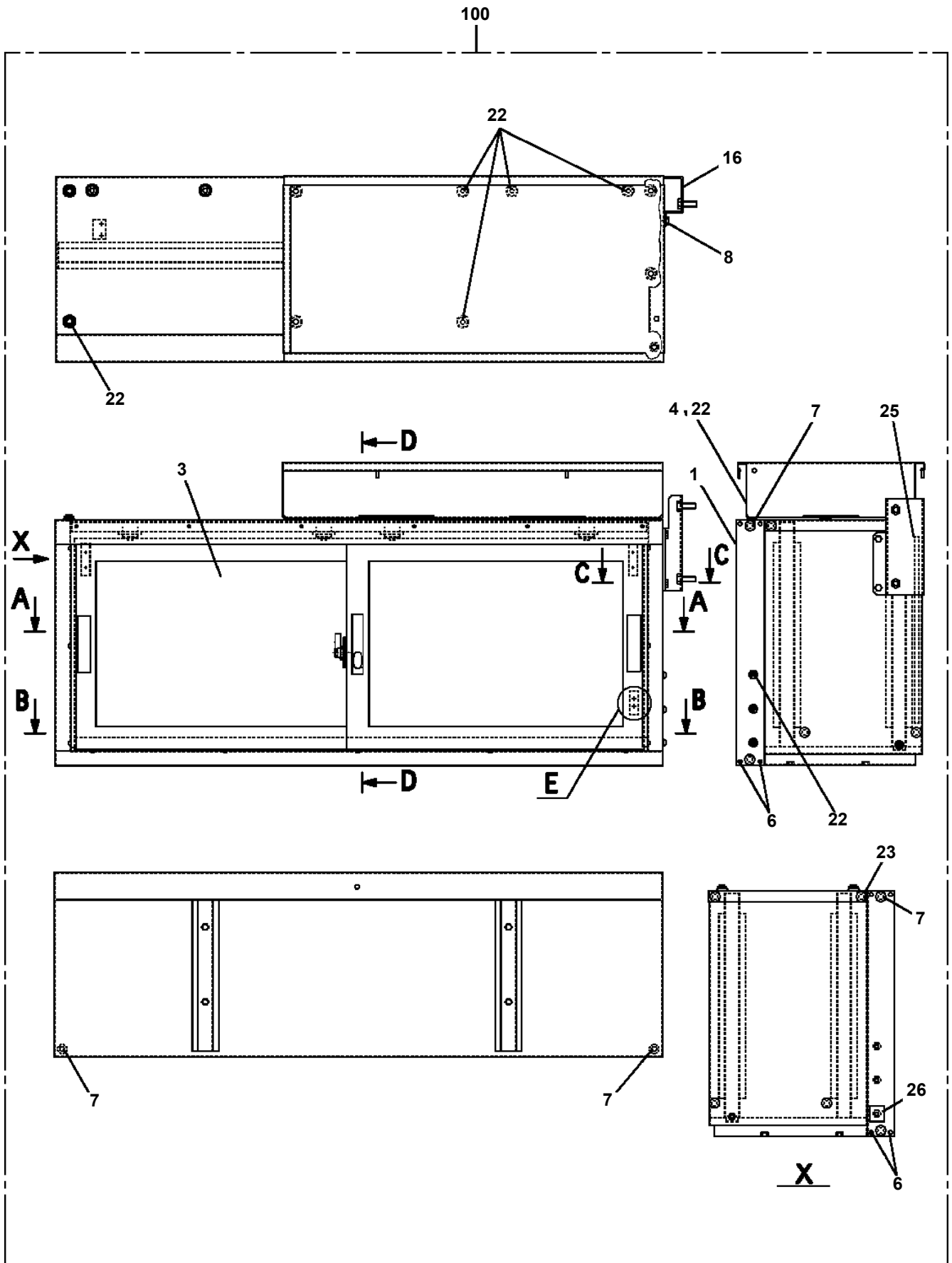
# AT-110-4 42084431200 LOWER,HINO BDG-XZU304X-TYMMB6

Pos No.	Parts No	Parts Name	Qty	Unit	Technical Data	Serial No (Start)	Serial No (End)	Remarks
1	42838487570	PACKING	4					
2	42837367520	PACKING	9					
3	42838487580	BOLT,BUTTON	4					
4	42838487590	WASHER	4					
5	42838487630	BOLT	3					
6	42838487600	WASHER	7					
7	42838487610	BOLT	4					
8	42838487620	PLATE	2					
100	42838487560	BOX,TOOL (PACKING ASSY)	1					

AT-110-4 42084431200 LOWER, HINO BDG-XZU304X-TYMMB6  
PB5410059-00 BOX, TOOL



AT-110-4 42084431200 LOWER,HINO BDG-XZU304X-TYMMB6  
PB5410063-01 BOX,TOOL



# AT-110-4 42084431200 LOWER,HINO BDG-XZU304X-TYMMB6

Pos No.	Parts No	Parts Name	Qty	Unit	Technical Data	Serial No (Start)	Serial No (End)	Remarks	Pages
1	90302040801	WASHER,SPRING	4		8				
2	42834874100	SUPPORT	1						
3	90101208020	BOLT	4		M8X20				

# AT-110-4 42084431200 LOWER,HINO BDG-XZU304X-TYMMB6

Pos No.	Parts No	Parts Name	Qty	Unit	Technical Data	Serial No (Start)	Serial No (End)	Remarks	Pages
1	42501100100	HARNESS	1						000071
2	82100002596	RELAY	1						
3	90101206010	BOLT	1		M6X1.0				
4	90302040601	WASHER,SPRING	1		6				
5	91810132530	FASTENER	N						

# AT-110-4 42084431200 LOWER,HINO BDG-XZU304X-TYMMB6

Pos No.	Parts No	Parts Name	Qty	Unit	Technical Data	Serial No (Start)	Serial No (End)	Remarks
1	42970011100	VIEW SYSTEM (MAIN UNIT)	1					
2	91810130240	FASTENER	10					

# AT-110-4 42084431200 LOWER,HINO BDG-XZU304X-TYMMB6

Pos No.	Parts No	Parts Name	Qty	Unit	Technical Data	Serial No (Start)	Serial No (End)	Remarks	Pages
1	42970231010	SUPPORT	1		T=4.5		219686		
	42625233030	SUPPORT	1		T=4.5	219687	HK0213		
	42970231100	SUPPORT	1		T=3.5	HK0214	HK0464		
	42970231200	SUPPORT	1		T=4.5	HK0465			
2	91810130240	FASTENER	3						
3	42739961200	COVER	1				HK0079		
4	80172804010	SCREW,MACHINE	4		M4X10		HK0079		
5	90302510401	WASHER,SPRING	4		4		HK0079		
6	90303520401	WASHER,PLAIN	4		4		HK0079		
7	42391163120	PLATE,NAME	1			219553			

# AT-110-4 42084431200 LOWER,HINO BDG-XZU304X-TYMMB6

Pos No.	Parts No	Parts Name	Qty	Unit	Technical Data	Serial No (Start)	Serial No (End)	Remarks	Pages
10	42935320100	HARNESS	1						

# AT-110-4 42084431200 LOWER,HINO BDG-XZU304X-TYMMB6

Pos No.	Parts No	Parts Name	Qty	Unit	Technical Data	Serial No (Start)	Serial No (End)	Remarks	Pages
100	42971491100	HARNESS	1						

# AT-110-4 42084431200 LOWER,HINO BDG-XZU304X-TYMMB6

Pos No.	Parts No	Parts Name	Qty	Unit	Technical Data	Serial No (Start)	Serial No (End)	Remarks	Pages
100	42715390100	HARNESS	1						

**AT-110-4 42084431200 LOWER,HINO BDG-XZU304X-TYMMB6**

Pos No.	Parts No	Parts Name	Qty	Unit	Technical Data	Serial No (Start)	Serial No (End)
3	36625205020	SPRING	1				
4	36625245010	PLUG	1				
5	91002801800	O-RING	1		1B P18		
50	36625240000	VALVE,CHECK (MORIKAWA GAUGE)	1				

# AT-110-4 42084431200 LOWER,HINO BDG-XZU304X-TYMMB6

Pos No.	Parts No	Parts Name	Qty	Unit	Technical Data	Serial No (Start)	Serial No (End)	Remarks	Pages
1	42699020100	WEIGHT	1				HK0109		
	42699020101	WEIGHT	1			HK0110			
2	90302041201	WASHER,SPRING	6		12				
3	90101212020	BOLT	2		M12X20		219907		
	90101212016	BOLT	2		M12X16	219908			
4	42699020201	SUPPORT	1				219907		
	42699020250	SUPPORT	1			219908	HK0109		
	42699020251	SUPPORT	1			HK0110			
5	90101212030	BOLT	4		M12X30		219907		
	90101212025	BOLT	4		M12X25	219908			
6	82401800200	PLUG	2		FOR M20		HK0109		

CLICK HERE TO **DOWNLOAD** THE COMPLETE MANUAL

- Thank you very much for reading the preview of the manual.
- You can download the complete manual from: [www.heydownloads.com](http://www.heydownloads.com) by clicking the link below



- Please note: If there is no response to CLICKING the link, please download this PDF first and then click on it.

CLICK HERE TO **DOWNLOAD** THE COMPLETE MANUAL

# AT-110-4 42084431200 LOWER,HINO BDG-XZU304X-TYMMB6

Pos No.	Parts No	Parts Name	Qty	Unit	Technical Data	Serial No (Start)	Serial No (End)
1	42972801100	HARNESS	1		L=4030		
2	42972801200	HARNESS	1				
3	42433932100	SWITCH ASSY (WITH HARNESS,1 SW)	1				
4	82100002596	RELAY	2				
5	42935092010	PLATE,NAME	1				
6	90186206012	BOLT,FLANGE	1		M6X12		
7	91810132530	FASTENER	N				
21	42972802100	HARNESS	1				
23	82100001805	TUBE,CORRUGATE	1	M	19		
24	82115001002	CONNECTOR	8				
31	42839073100	HARNESS	1				
32	90101206016	BOLT	1		M6X16		
33	90303070801	WASHER,PLAIN	1		8		
34	90201200600	NUT	1		M6		
35	90302040601	WASHER,SPRING	1		6		
36	82100002597	RELAY	1				
37	90101208020	BOLT	1		M8X20		
38	90201200800	NUT	1		M8		
39	90302040801	WASHER,SPRING	1		8		
41	91810130250	FASTENER	5				

# AT-110-4 42084431200 LOWER,HINO BDG-XZU304X-TYMMB6

Pos No.	Parts No	Parts Name	Qty	Unit	Technical Data	Serial No (Start)	Serial No (End)
1	42809631200	LAMP ASSY (RED,WITH HARNESS)	1				
2	42652120300	BUZZER ASSY	1				
3	80172304016	SCREW,MACHINE	2		M4X16		
4	90302040401	WASHER,SPRING	2		4		
5	90201200400	NUT	2		M4	219911	
6	90303070401	WASHER,PLAIN	2		4	219911	
8	42971491100	HARNESS	1				
9	42971431200	PLATE,CAUTION	1				
13	42971431400	SWITCH ASSY (WITH HARNESS)	1				
14	91810130240	FASTENER	5				
15	42971491400	PLATE,NAME	1			219911	
18	82199514013	CAP	1				
19	82199504017	NUT	1		AT-401N		
27	42971491300	PLATE,NAME	1			219911	

# AT-110-4 42084431200 LOWER,HINO BDG-XZU304X-TYMMB6

Pos No.	Parts No	Parts Name	Qty	Unit	Technical Data	Serial No (Start)	Serial No (End)	Remarks	Pages
1	42945961010	PLATE,CAUTION	1						

# AT-110-4 42084431200 LOWER,HINO BDG-XZU304X-TYMMB6

Pos No.	Parts No	Parts Name	Qty	Unit	Technical Data	Serial No (Start)	Serial No (End)	Remarks	Pages
1	42864770100	SPACER	2				219548		
	42865240300	SPACER	2			219549			
2	42865240100	SUPPORT	1				219548		
	42865240101	SUPPORT	1			219549			
3	90171116075	BOLT	6		M16X75				
4	90270401600	NUT	6		16				
5	90303501601	WASHER,PLAIN	12		16				
6	42865240200	SUPPORT	1						
7	90101208016	BOLT	1		M8X16				
8	42864680200	SUPPORT	4						
9	42864690010	PLATE	N		T=0.5				
10	42864690020	PLATE	N		T=1.0				
11	42864690030	PLATE	N		T=1.6				
12	37002701590	CABLE ASSY	1		30B,L=280				
13	90201200800	NUT	1		M8				
14	90302040801	WASHER,SPRING	1		8				

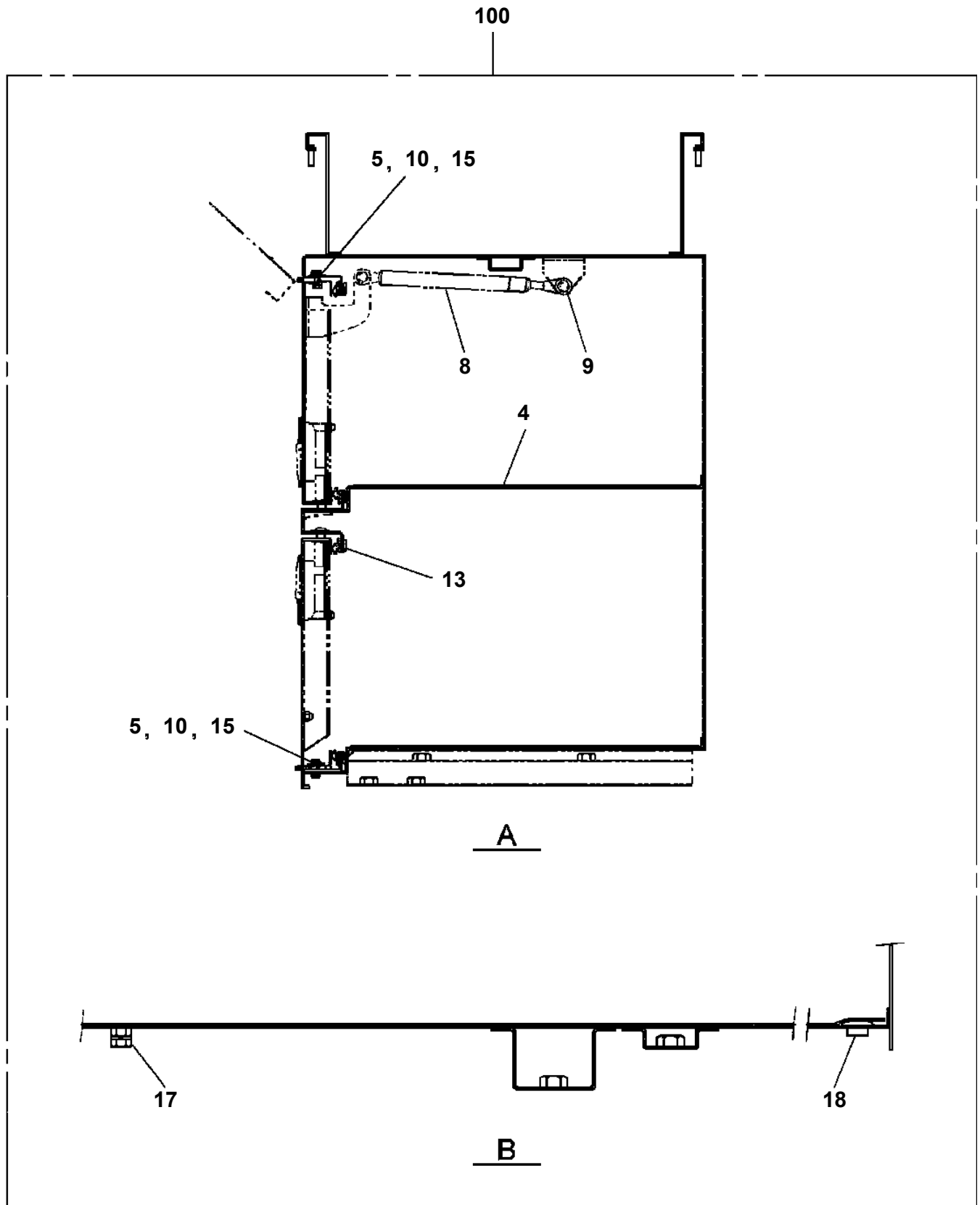
# AT-110-4 42084431200 LOWER,HINO BDG-XZU304X-TYMMB6

Pos No.	Parts No	Parts Name	Qty	Unit	Technical Data	Serial No (Start)	Serial No (End)	Remarks	Pages
1	42895040101	SUPPORT	1						
2	42897320100	SUPPORT	1						
3	90101208018	BOLT	8		M8X18				
4	90302040801	WASHER,SPRING	8		8				
5	37000547660	PLATE	4		T=2.3				

# AT-110-4 42084431200 LOWER,HINO BDG-XZU304X-TYMMB6

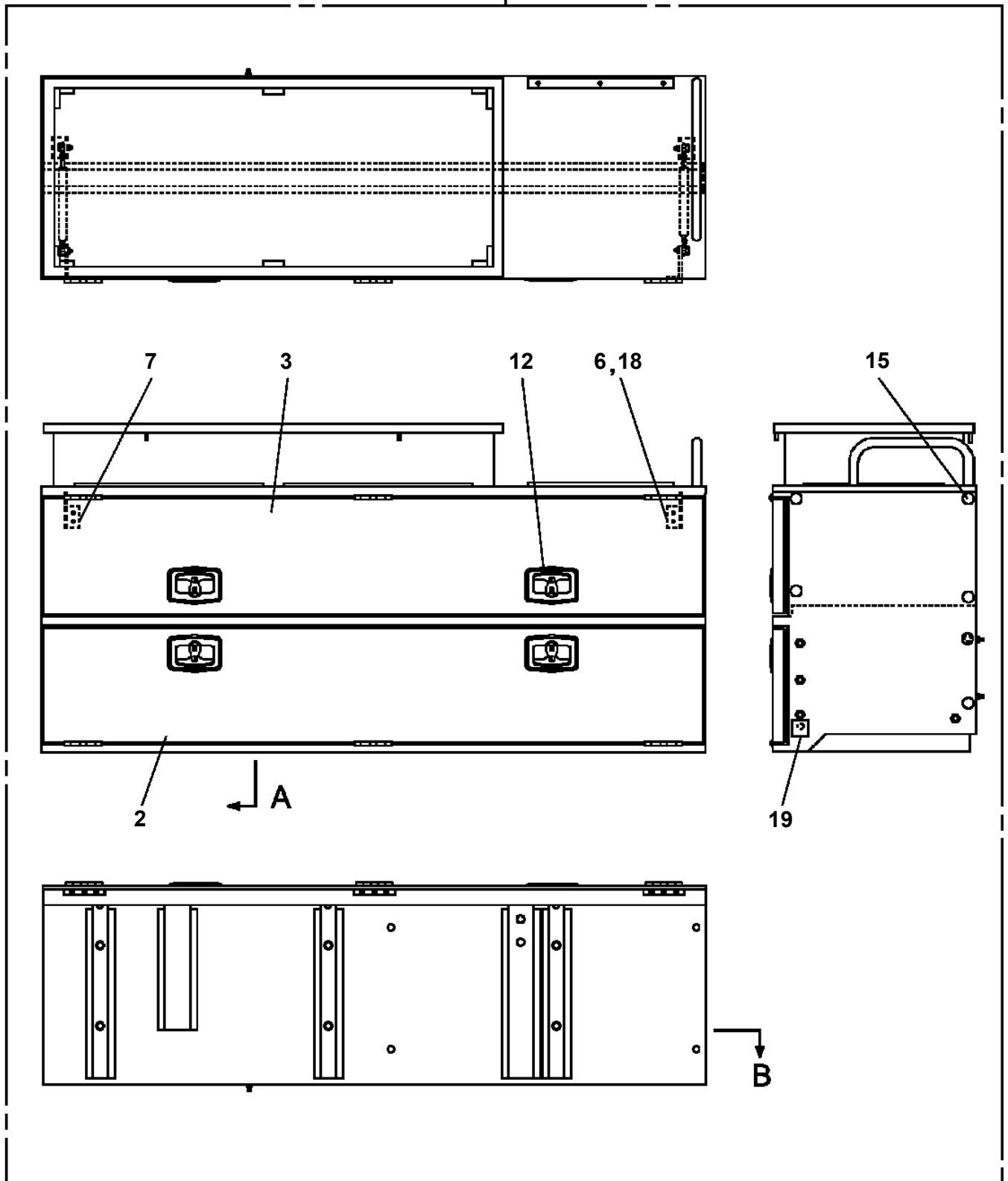
Pos No.	Parts No	Parts Name	Qty	Unit	Technical Data	Serial No (Start)	Serial No (End)	Remark
1	90201200800	NUT	6		M8		219119	
	90201200800	NUT	7		M8	219120	219591	
	90201200800	NUT	6		M8	219592		
2	90302040601	WASHER,SPRING	1		6			
3	90201200600	NUT	1		M6			
4	91850400601	CLAMP	3				219326	
	91850400601	CLAMP	4			219327	219591	
	91850400601	CLAMP	3			219592		
5	91810130230	FASTENER	3					
6	34700161000	LEVEL	1					
7	82100002006	CLAMP	1		WR10			
8	90101208016	BOLT	8		M8X16			
9	90302040801	WASHER,SPRING	10		8		219119	
	90302040801	WASHER,SPRING	11		8	219120	219591	
	90302040801	WASHER,SPRING	10		8	219592		
10	42807380100	HARNESS	2		L=600		219591	
	42807380100	HARNESS	1		L=600	219592		
11	91810132530	FASTENER	N					
12	42900220100	SUPPORT	2					
13	90101208020	BOLT	2		M8X20			
14	82400000205	GROMMET	1				219591	
15	82100000975	CLIP	1				219591	
16	42808000200	HARNESS	2					
17	82111101510	TERMINAL	4					
18	82121101050	PLUG (BLACK/AV0.3 TO 0.5)	8					
19	82111101010	TERMINAL	4					
20	82114102020	CONNECTOR	2					
21	82121102020	HOLDER	4					
22	82114101020	CONNECTOR (2P,MALE)	2					
23	82100002011	CLAMP	1		WRC15	219120	219591	
24	90186208016	BOLT,FLANGE	1		M8X16	219120	219591	

AT-110-4 42084431200 LOWER,HINO BDG-XZU304X-TYMMB6  
PX1350790-03 BOX,TOOL



AT-110-4 42084431200 LOWER,HINO BDG-XZU304X-TYMMB6  
PX1350828-01 BOX,TOOL

100



# AT-110-4 42084431200 LOWER,HINO BDG-XZU304X-TYMMB6

Pos No.	Parts No	Parts Name	Qty	Unit	Technical Data	Serial No (Start)	Serial No (End)	Remarks	Pages
1	42835721000	BOX,TOOL	1						000123
2	42835722000	BOX,TOOL	1						000124
3	90101210025	BOLT	12		M10X25				
4	90302041001	WASHER,SPRING	12		10				
5	37000549940	PLATE	12		T=3.2				
6	42835060100	SUPPORT	1						
7	90101208012	BOLT	6		M8X12				
8	90302040801	WASHER,SPRING	8		8				
9	42697993010	SUPPORT	1						
10	90101208016	BOLT	2		M8X16				
11	90201200800	NUT	2		M8				
12	82400000393	INSULATOR	3						
13	80172804030	SCREW,MACHINE	3						
14	90302040401	WASHER,SPRING	3		4				
15	90303070401	WASHER,PLAIN	3		4				
16	90201200400	NUT	3		M4				
17	90303070801	WASHER,PLAIN	6		8				
18	42835450010	PLATE	8						

# AT-110-4 42084431200 LOWER,HINO BDG-XZU304X-TYMMB6

Pos No.	Parts No	Parts Name	Qty	Unit	Technical Data	Serial No (Start)	Serial No (End)	Remarks	Pages
1	42739561000	BOX,TOOL	1						000116
2	42835052000	BOX,TOOL	1						000114
3	90101210025	BOLT	12		M10X25				
4	90302041001	WASHER,SPRING	12		10				
5	37000549940	PLATE	12		T=3.2				
6	42835050100	SUPPORT	1						
7	90101208012	BOLT	10		M8X12				
8	90302040801	WASHER,SPRING	6		8				
9	90303070801	WASHER,PLAIN	10		8				
10	82400000393	INSULATOR	1						
11	80172804020	SCREW,MACHINE	1		M4X20		219019		
	80172804030	SCREW,MACHINE	1			219020			
12	90302040401	WASHER,SPRING	1		4				
13	90201200400	NUT	1		M4				
14	90303070401	WASHER,PLAIN	1		4				
15	42835450010	PLATE	4			219020			

# AT-110-4 42084431200 LOWER,HINO BDG-XZU304X-TYMMB6

Pos No.	Parts No	Parts Name	Qty	Unit	Technical Data	Serial No (Start)	Serial No (End)	Remarks	Pages
1	42836053000	BOX,TOOL	1						000133
2	42836051000	BOX,TOOL	1						000132
3	90101210025	BOLT	12		M10X25				
4	90302041001	WASHER,SPRING	12		10				
5	37000506590	PLATE	12		T=1.6				
6	42836050010	SUPPORT	1						
7	90101208020	BOLT	6		M8X20				
8	42835710020	PLATE	2						
9	90302040801	WASHER,SPRING	6		8				
10	82466102908	WASHER	4						
11	42835710100	SUPPORT	1						
12	90303070801	WASHER,PLAIN	2		8		218936		
	37000547660	PLATE	2		T=2.3	218937			

# AT-110-4 42084431200 LOWER,HINO BDG-XZU304X-TYMMB6

Pos No.	Parts No	Parts Name	Qty	Unit	Technical Data	Serial No (Start)	Serial No (End)	Remarks	Pages
1	42835451000	BOX,TOOL	1						000118
2	42835722000	BOX,TOOL	1						000124
3	90101210025	BOLT	12		M10X25				
4	90302041001	WASHER,SPRING	12		10				
5	37000549940	PLATE	12		T=3.2				
6	42835590100	SUPPORT	1						
7	90101208012	BOLT	10		M8X12				
8	90302040801	WASHER,SPRING	8		8				
9	42697993010	SUPPORT	1						
10	90101208016	BOLT	2		M8X16				
11	90201200800	NUT	2		M8				
12	82400000393	INSULATOR	3						
13	80172804030	SCREW,MACHINE	3						
14	90302040401	WASHER,SPRING	3		4				
15	90303070401	WASHER,PLAIN	3		4				
16	90201200400	NUT	3		M4				
17	90303070801	WASHER,PLAIN	10		8				
18	42835450010	PLATE	8						

# AT-110-4 42084431200 LOWER,HINO BDG-XZU304X-TYMMB6

Pos No.	Parts No	Parts Name	Qty	Unit	Technical Data	Serial No (Start)	Serial No (End)	Remarks	Pages
1	42739561000	BOX,TOOL	1						000116
2	42835711000	BOX,TOOL	1						000130
3	90101210025	BOLT	12		M10X25				
4	90302041001	WASHER,SPRING	12		10				
5	37000549940	PLATE	12		T=3.2				
6	42836430010	SUPPORT	1						
7	90101208020	BOLT	2		M8X20				
8	90101208014	BOLT	3		M8X14				
9	90302040801	WASHER,SPRING	5		8				
10	82466102908	WASHER	2						
11	90303070801	WASHER,PLAIN	3		8				
31	42398701010	PLATE,CAUTION	1						

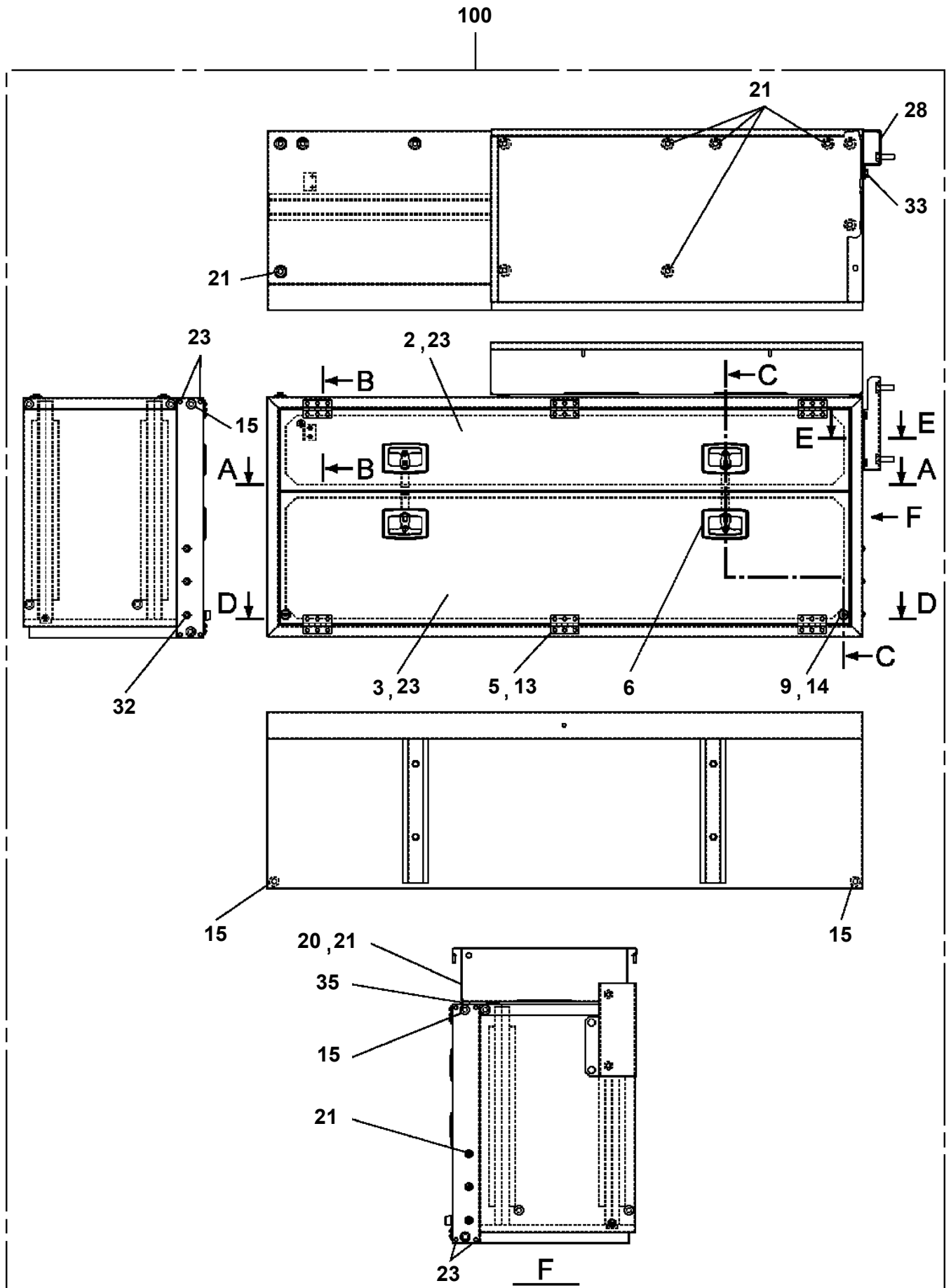
# AT-110-4 42084431200 LOWER,HINO BDG-XZU304X-TYMMB6

Pos No.	Parts No	Parts Name	Qty	Unit	Technical Data	Serial No (Start)	Serial No (End)	Remarks	Pages
1	42971121001	BOX,TOOL	1						000138
2	42971120010	PLATE	1						
3	90101208014	BOLT	3		M8X14				
4	90303070801	WASHER,PLAIN	3		8				
5	90302040801	WASHER,SPRING	3		8				
6	42943630070	PLATE,NAME	1						

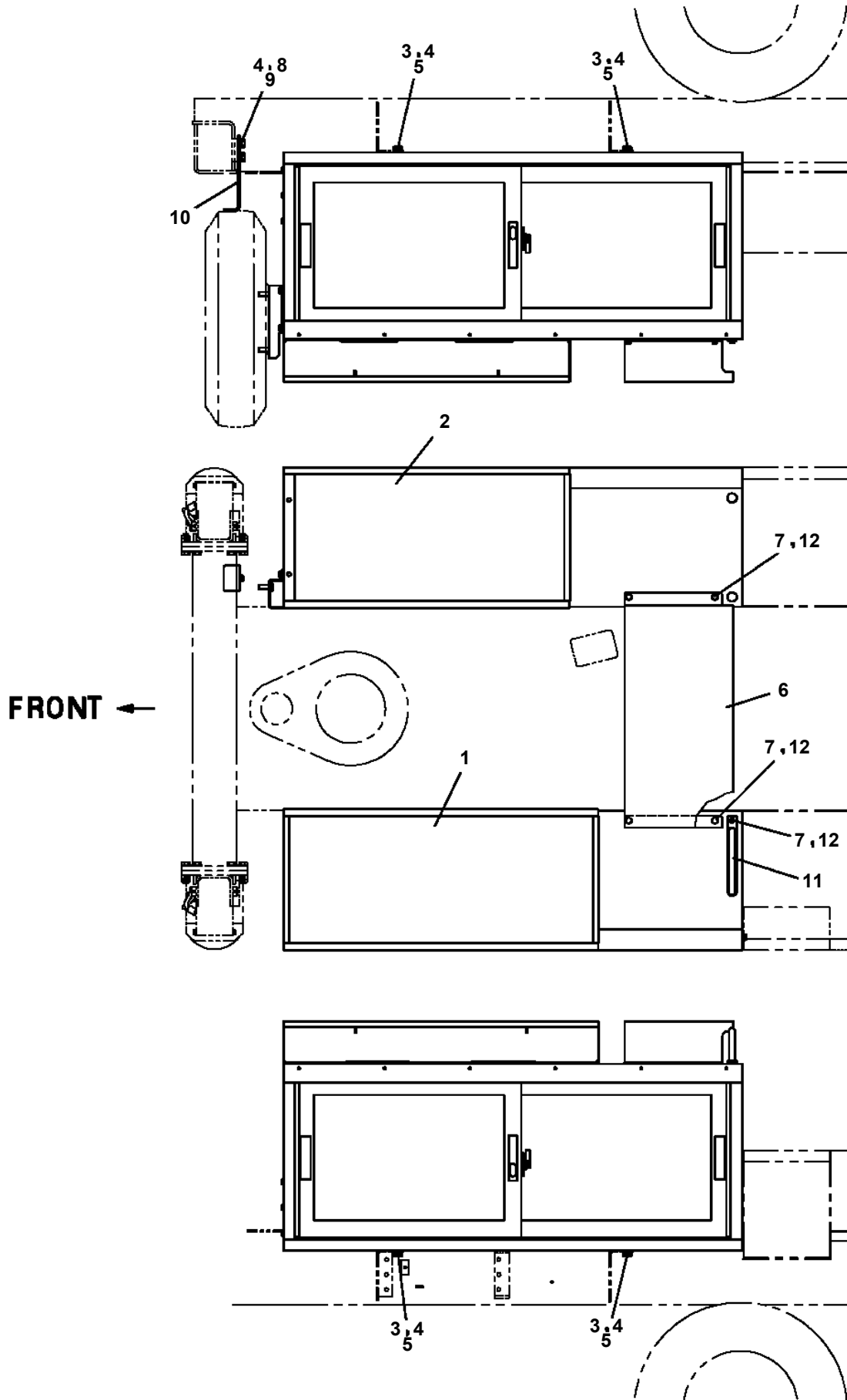
# AT-110-4 42084431200 LOWER,HINO BDG-XZU304X-TYMMB6

Pos No.	Parts No	Parts Name	Qty	Unit	Technical Data	Serial No (Start)	Serial No (End)	Remarks	Pages
1	42835713001	BOX,TOOL	1				219272		00014
	42835713002	BOX,TOOL	1			219273			00015
2	42836141000	BOX,TOOL	1				219272		00014
	42836141001	BOX,TOOL	1			219273			00015
3	90101210025	BOLT	8		M10X25				
4	90302041001	WASHER,SPRING	10		10	219120			
5	37000506590	PLATE	8		T=1.6				
6	42836060010	SUPPORT	1						
7	90101208020	BOLT	6		M8X20				
8	42835710020	PLATE	2				219272		
9	90302040801	WASHER,SPRING	6		8		219272		
10	82466102908	WASHER	4				219272		
11	42835710100	SUPPORT	1						
12	37000547660	PLATE	2		T=2.3		219272		
14	90101210020	BOLT	2		M10X20	219120			
15	90303071001	WASHER,PLAIN	2		10	219120			
16	42836480010	SUPPORT	1			219120			
17	90303400801	WASHER	6		M8X19	219273			
31	42398701010	PLATE,CAUTION	2						
32	42835714010	PLATE (NON-SLIP)	2				219900		

AT-110-4 42084431200 LOWER, HINO BDG-XZU304X-TYMMB6  
PX1351161-00 BOX, TOOL



AT-110-4 42084431200 LOWER, HINO BDG-XZU304X-TYMMB6  
PX1351174-00 BOX, TOOL (LEFT & RIGHT, SLIDE/2007)



# AT-110-4 42084431200 LOWER,HINO BDG-XZU304X-TYMMB6

Pos No.	Parts No	Parts Name	Qty	Unit	Technical Data	Serial No (Start)	Serial No (End)	Remarks	Page
1	42785390100	SUPPORT	1						
2	42785390200	SUPPORT	1						
3	90171110030	BOLT	6		M10X30				
4	90302041001	WASHER,SPRING	6		10				
5	90201781000	NUT	6		M10				
6	91810130240	FASTENER	3						
7	42786830100	CABLE	1		L=280				
8	82100001802	TUBE,CORRUGATE	1	M	10				
9	90201200800	NUT	3		M8				
10	82100002016	CLAMP	1		WR25				
11	90303070801	WASHER,PLAIN	2		8				
12	90101208020	BOLT	1		M8X20				
13	42786750100	SUPPORT	1						
16	90302040801	WASHER,SPRING	3		8				
17	82115220140	SLEEVE	1						
19	82112102005	SLEEVE	1						
20	42786830200	CABLE	1		L=280				
21	82100001801	TUBE,CORRUGATE	1	M	7				
22	90101208016	BOLT	2		M8X16				

# AT-110-4 42084431200 LOWER,HINO BDG-XZU304X-TYMMB6

Pos No.	Parts No	Parts Name	Qty	Unit	Technical Data	Serial No (Start)	Serial No (End)	Remarks	Pages
1	42838123000	BOX,TOOL	1						00002
2	42838121000	BOX,TOOL	1						00002
3	90101210025	BOLT	8		M10X25				
4	90302041001	WASHER,SPRING	10		10				
5	37000506590	PLATE	8		T=1.6				
6	42835710010	SUPPORT	1						
7	90101208020	BOLT	6		M8X20				
11	42835710100	SUPPORT	1						
14	90101210020	BOLT	2		M10X20				
15	90303071001	WASHER,PLAIN	2		10				
16	42836480010	SUPPORT	1						
17	90303400801	WASHER	6		M8X19				
41	42398701010	PLATE,CAUTION	2						
42	42835714010	PLATE (NON-SLIP)	2				219900		

CLICK HERE TO **DOWNLOAD** THE COMPLETE MANUAL

- Thank you very much for reading the preview of the manual.
- You can download the complete manual from: [www.heydownloads.com](http://www.heydownloads.com) by clicking the link below



- Please note: If there is no response to CLICKING the link, please download this PDF first and then click on it.

CLICK HERE TO **DOWNLOAD** THE COMPLETE MANUAL