

AT-110-4 42084442700 LOWER,ISUZU BKG-NKR85AN-EE5AHY-JM

PB3000221-00 POWER UNIT
PO1000149-00 INDICATION PLATES
PX2001474-00 CARRIER UNIT
PX3000800-00 MOUNTING UNIT
PY1001366-01 OPTIONS
ASSEMBLY

CLICK HERE TO **DOWNLOAD** THE COMPLETE MANUAL

- Thank you very much for reading the preview of the manual.
- You can download the complete manual from: www.heydownloads.com by clicking the link below



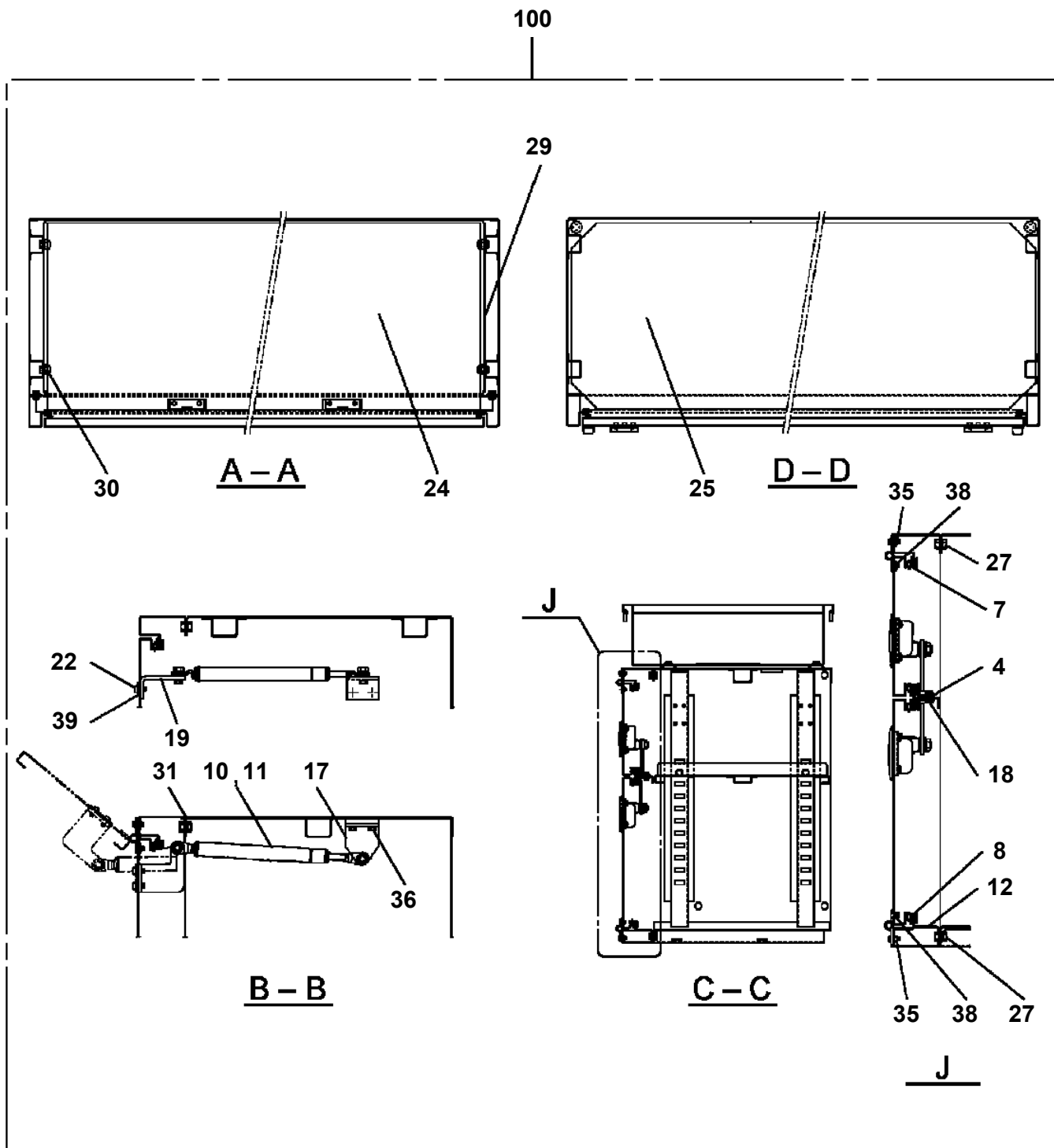
- Please note: If there is no response to CLICKING the link, please download this PDF first and then click on it.

CLICK HERE TO **DOWNLOAD** THE COMPLETE MANUAL

AT-110-4 42084442700 LOWER,ISUZU BKG-NKR85AN-EE5AHY-JM

Pos No.	Parts No	Parts Name	Qty	Unit	Technical Data	Serial
1	(*****)	SUPPORT (FIXED LADDER REST,2-DECKER/2007)	1			
2	(*****)	SUPPORT (SWIVEL LADDER REST,2-DECKER/2007)	1			
3	(*****)	BOX, TOOL (DRAWER FOR LEFT TOOL BOX:2007,2010)	1			
	(*****)	MOUNT ASSY, TOOL BOX (LEFT:2-DECKER,DRAWER/2LINEX2)	1			
4	(*****)	BUZZER (JACK)	1			
5	(*****)	EARTHING DEVICE	1			
8	(*****)	STEP (FOR KANDENKOU)	1			
9	(*****)	MOUNT	1			
10	(*****)	REFLECTOR (CARRIER)	1			
11	(*****)	VIEW SYSTEM (FOR ISUZU,NISSAN,MAZDA)	1			
12	(*****)	COVER ASSY (FOR KINDEN/ISUZU /ENGINE UPPER PART COVER)	1			
16	(*****)	EARTH ASSY	1			

AT-110-4 42084442700 LOWER, ISUZU BKG-NKR85AN-EE5AHY-JM
PB5410015-00 BOX, TOOL



AT-110-4 42084442700 LOWER,ISUZU BKG-NKR85AN-EE5AHY-JM

Pos No.	Parts No	Parts Name	Qty	Unit	Technical Data	Serial No (Start)	Serial No (End)	Re
2	42835717510	DOOR	1					
3	42835717520	DOOR	1					
4	42835717530	STOPPER	4					
5	42833867750	HINGE	6					
6	42835357590	CATCH	4					
7	42836317950	WEATHER STRIP	4	M				
8	42836317950	WEATHER STRIP	4	M				
9	82400000393	INSULATOR	2					
10	42838477510	GAS SPRING	1					
12	42835717560	SUPPORT	1					
13	42835717570	SCREW,MACHINE (WITH SW)	36		M5X16			
14	42835717580	SCREW,MACHINE (WITH W,NUT)	2		M4X16			
15	42833077610	BUSH	14					
16	42835717590	PLATE	12					
17	42838477520	SUPPORT	1					
18	99163006016	BOLT,SEMS	4		M6X16			
19	42838477530	SUPPORT	1					
20	42835717620	GUIDE	1					
21	42835717780	PACKING	1					
22	42835717630	SCREW,MACHINE (WITH W)	2		M6X10			
23	42835797580	PLUG (HOLE)	16					
24	42835717650	SEAT	1					
25	42835717660	SEAT	1					
27	99164408016	BOLT (M8X16,WITH WASHER)	17					
28	42835717670	SUPPORT	1					
29	42835717680	SUPPORT	1					
30	42835717690	BOLT (WITH W)	4		M8X12			
31	42835717700	SEAL ASSY	1					
32	42835717790	BOLT (WITH W,2PIECES)	1		M10X12			
33	42835717750	BOLT (WITH W,SW,NUT)	4		M10X25			
34	42835717760	PLATE	2					
35	42835717770	SPACER	1					
36	99163006014	BOLT,SEMS (M6X14)	2					
37	42836037550	WASHER,TOOTH	8		M10			
38	42838477540	BOLT ASSY (FOR DAMPER)	2					
100	42838471000	BOX,TOOL	1					

AT-110-4 42084442700 LOWER,ISUZU BKG-NKR85AN-EE5AHY-JM

Pos No.	Parts No	Parts Name	Qty	Unit	Technical Data	Serial No (Start)	Serial No (End)	Remarks
1	42838487570	PACKING	4					
2	42837367520	PACKING	9					
3	42838487580	BOLT,BUTTON	4					
4	42838487590	WASHER	4					
5	42838487610	BOLT	4					
6	42838487600	WASHER	5					
7	42838487630	BOLT	1					
8	42838487620	PLATE	1					
100	42838487530	BOX,TOOL (PACKING ASSY)	1					

AT-110-4 42084442700 LOWER,ISUZU BKG-NKR85AN-EE5AHY-JM

Pos No.	Parts No	Parts Name	Qty	Unit	Technical Data	Serial No (Start)	Serial No (End)	Remarks
1	42838487570	PACKING	2					
2	42837367520	PACKING	7					
3	42838487580	BOLT,BUTTON	4					
4	42838487590	WASHER	4					
5	42838487610	BOLT	4					
6	42838487600	WASHER	5					
7	42838487630	BOLT	1					
8	42838487620	PLATE	1					
9	42838347530	PACKING	1					
10	42838347540	PACKING	1					
100	42838347550	BOX,TOOL (PACKING ASSY)	1					

AT-110-4 42084442700 LOWER,ISUZU BKG-NKR85AN-EE5AHY-JM

Pos No.	Parts No	Parts Name	Qty	Unit	Technical Data	Serial No (Start)	Serial No (End)	Remarks	Pages
1	42971100100	SUPPORT	1						
2	42971100200	SUPPORT	1						
3	90101210025	BOLT	2		M10X25				
4	90302041001	WASHER,SPRING	2		10				
5	90201201000	NUT	2		M10				
6	90303071001	WASHER,PLAIN	2		10				

AT-110-4 42084442700 LOWER,ISUZU BKG-NKR85AN-EE5AHY-JM

Pos No.	Parts No	Parts Name	Qty	Unit	Technical Data	Serial No (Start)	Serial No (End)	Remarks	I
1	(*****)	VIEW SYSTEM (MONITOR)	1						0
2	(*****)	VIEW SYSTEM (CAMERA)	1						0

CLICK HERE TO **DOWNLOAD** THE COMPLETE MANUAL

- Thank you very much for reading the preview of the manual.
- You can download the complete manual from: www.heydownloads.com by clicking the link below



- Please note: If there is no response to CLICKING the link, please download this PDF first and then click on it.

CLICK HERE TO **DOWNLOAD** THE COMPLETE MANUAL

AT-110-4 42084442700 LOWER,ISUZU BKG-NKR85AN-EE5AHY-JM

Pos No.	Parts No	Parts Name	Qty	Unit	Technical Data	Serial No (Start)	Serial No (End)	Remarks	Pages
100	42900360100	HARNESS	1						

AT-110-4 42084442700 LOWER,ISUZU BKG-NKR85AN-EE5AHY-JM

Pos No.	Parts No	Parts Name	Qty	Unit	Technical Data	Serial No (Start)	Serial No (End)	Remarks	Pages
4	36625135010	CONNECTOR	1						
5	91002801800	O-RING	1		1B P18				
30	36625230000	VALVE,CHECK	1						

AT-110-4 42084442700 LOWER,ISUZU BKG-NKR85AN-EE5AHY-JM

Pos No.	Parts No	Parts Name	Qty	Unit	Technical Data	Serial No (Start)	Serial No (End)	Remarks	Pages
1	82161201010	RELAY	1						
2	90186206016	BOLT,FLANGE	1		M6X16				
3	42935710100	HARNESS	1						000039
4	91810132530	FASTENER	5						

AT-110-4 42084442700 LOWER,ISUZU BKG-NKR85AN-EE5AHY-JM

Pos No.	Parts No	Parts Name	Qty	Unit	Technical Data	Serial No (Start)	Serial No (End)	Re
1	42940350010	PLATE,NAME (VEHICLE HEIGHT)	1					
2	37002204230	PLATE,NAME	1					
3	37002224450	PLATE,NAME	1					

AT-110-4 42084442700 LOWER,ISUZU BKG-NKR85AN-EE5AHY-JM

Pos No.	Parts No	Parts Name	Qty	Unit	Technical Data	Serial No (Start)	Serial No (End)	Remarks	Pages
1	42811870010	SUPPORT	1						
2	90101210020	BOLT	2		M10X20				
3	90302041001	WASHER,SPRING	2		10				

AT-110-4 42084442700 LOWER,ISUZU BKG-NKR85AN-EE5AHY-JM

Pos No.	Parts No	Parts Name	Qty	Unit	Technical Data	Serial No (Start)	Serial No (End)	Remarks	Pages
3	90101210025	BOLT	8		M10X25				
4	90302041001	WASHER,SPRING	10		10				
5	37000506590	PLATE	8		T=1.6				
6	90101208020	BOLT	6		M8X20				
9	42835710100	SUPPORT	1						
11	90101210020	BOLT	2		M10X20				
12	90303071001	WASHER,PLAIN	2		10				
13	42836480010	SUPPORT	1						
14	90303400801	WASHER	6		M8X19				
15	42835713002	BOX,TOOL	1						00006
16	42835711002	BOX,TOOL	1						00006
17	37000549940	PLATE	4		T=3.2				
31	42398701010	PLATE,CAUTION	2						
32	42835714010	PLATE (NON-SLIP)	2				219900		

AT-110-4 42084442700 LOWER,ISUZU BKG-NKR85AN-EE5AHY-JM

Pos No.	Parts No	Parts Name	Qty	Unit	Technical Data	Serial No (Start)	Serial No (End)	Remarks	Pag
1	42971121102	FRAME	1						
2	42971121201	BOX	2						
3	42971121050	STOPPER	2						
4	82466188304	LOCK	2						
5	82460000500	CATCH	2						
6	80172804010	SCREW,MACHINE	8		M4X10				
7	90302510401	WASHER,SPRING	8		4				
8	90201500400	NUT	8		M4				
9	90101208018	BOLT	4		M8X18				
10	90302040801	WASHER,SPRING	4		8				
11	90303070801	WASHER,PLAIN	4		8				
12	90190206012	BOLT	8		M6X12				
13	90302510601	WASHER,SPRING (6)	8						
14	90303520601	WASHER,PLAIN	8		6				
15	42971121040	PLATE	8						
16	42971121030	STOPPER	2						
50	42971121002	BOX,TOOL	1						

AT-110-4 42084442700 LOWER,ISUZU BKG-NKR85AN-EE5AHY-JM

Pos No.	Parts No	Parts Name	Qty	Unit	Technical Data	Serial No (Start)	Serial No (End)	Remarks
1	90927040121	SCREW,TAPPING <M4X12.	4					

CLICK HERE TO **DOWNLOAD** THE COMPLETE MANUAL

- Thank you very much for reading the preview of the manual.
- You can download the complete manual from: www.heydownloads.com by clicking the link below



- Please note: If there is no response to CLICKING the link, please download this PDF first and then click on it.

CLICK HERE TO **DOWNLOAD** THE COMPLETE MANUAL