

**AT-103-1 42029120300 LOWER,MITSUBISHI U-FE315BNHE**  
**PX1000142-02 MOUNTING PARTS**  
**ASSEMBLY**

CLICK HERE TO **DOWNLOAD** THE COMPLETE MANUAL

- Thank you very much for reading the preview of the manual.
- You can download the complete manual from: [www.heydownloads.com](http://www.heydownloads.com) by clicking the link below



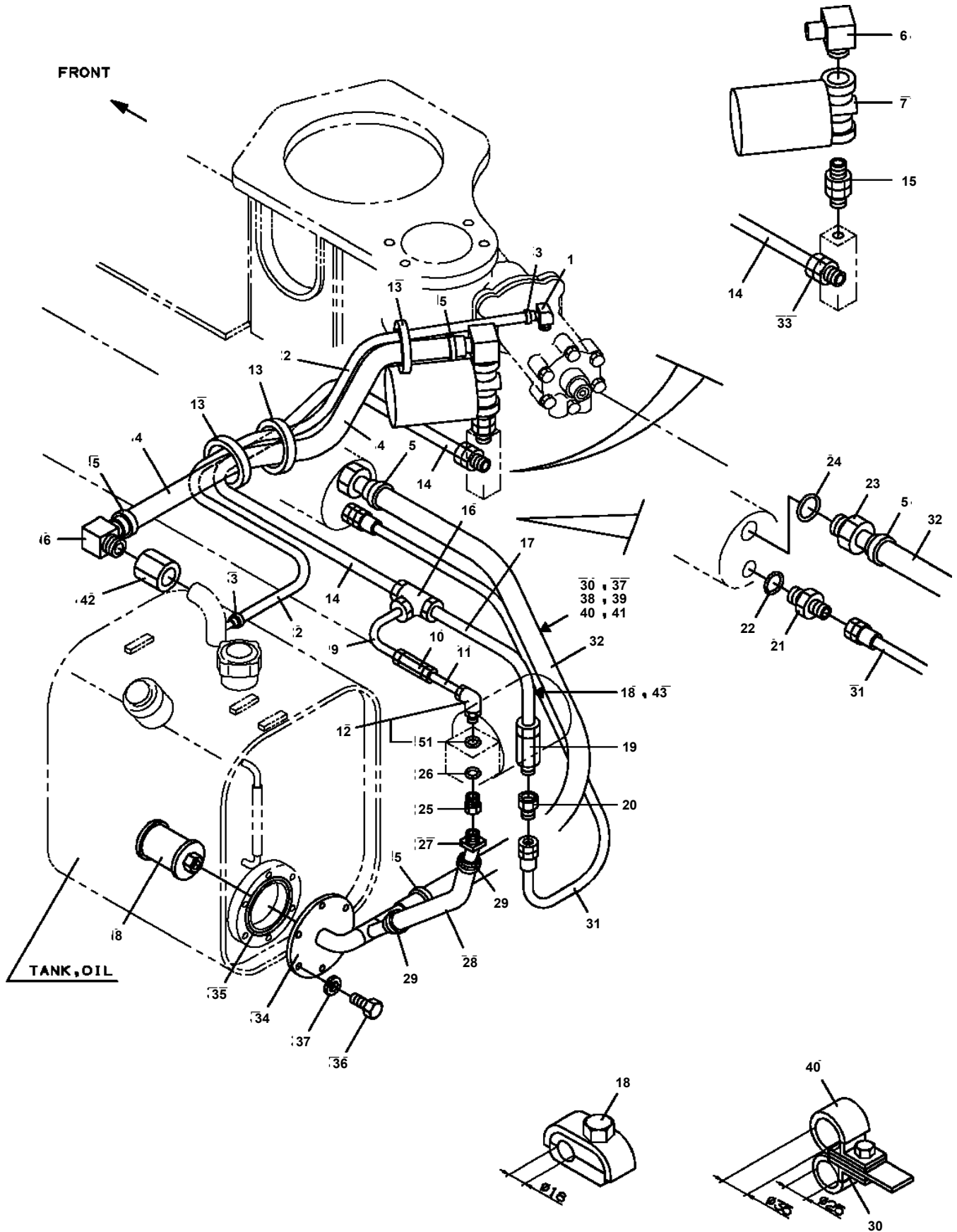
- Please note: If there is no response to CLICKING the link, please download this PDF first and then click on it.

CLICK HERE TO **DOWNLOAD** THE COMPLETE MANUAL

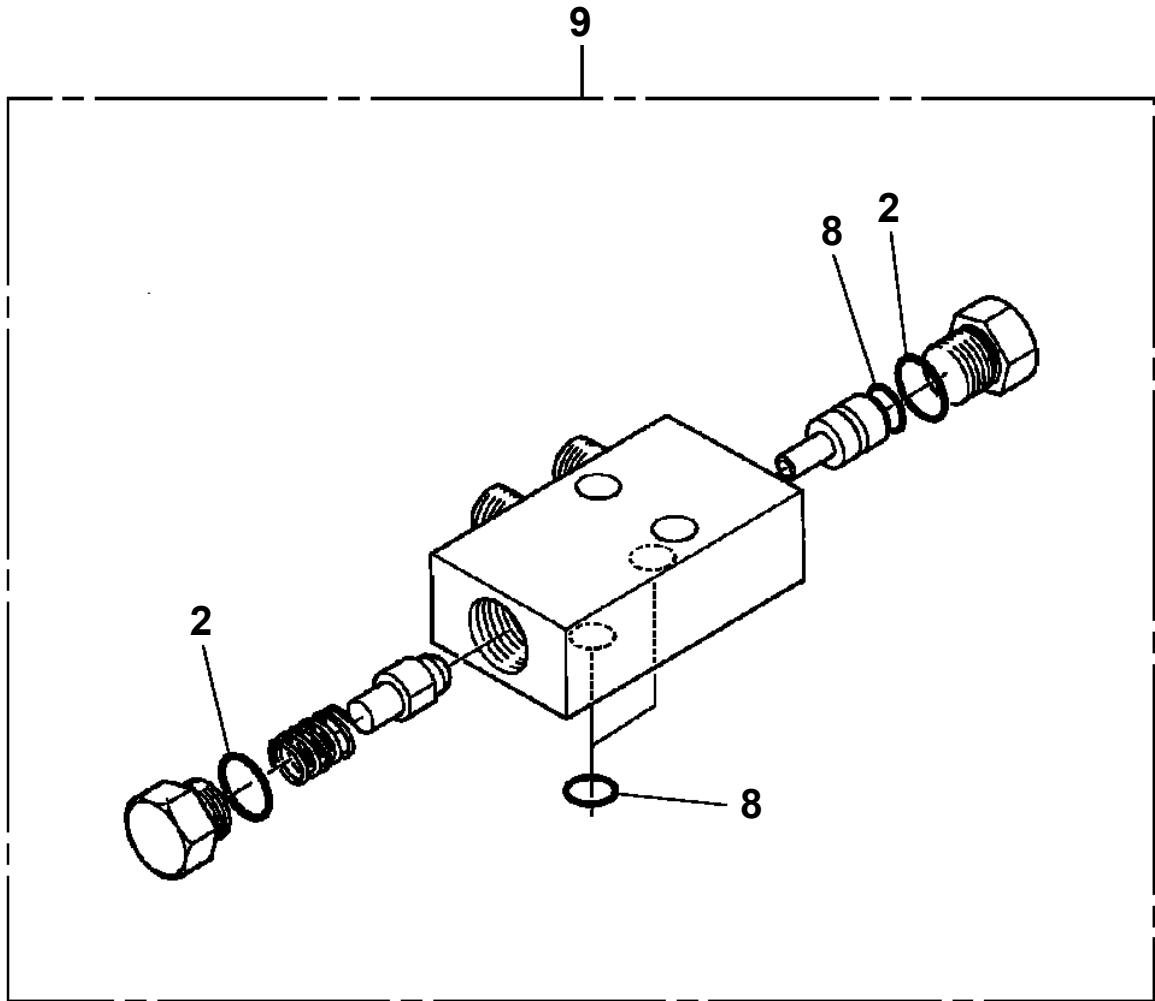
# AT-103-1 42029120300 LOWER,MITSUBISHI U-FE315BNHE

Pos No.	Parts No	Parts Name	Qty	Unit	Technical Data	Serial No (Start)	Serial No (End)	Remarks	Pages
8	36650035070	BACKUP STRIP	2						
9	36650035080	GASKET	2						
10	52263902050	GASKET	2						
13	36650035090	SEAL,OIL	1						
20	36650590000	PUMP,HYDRAULIC	1						

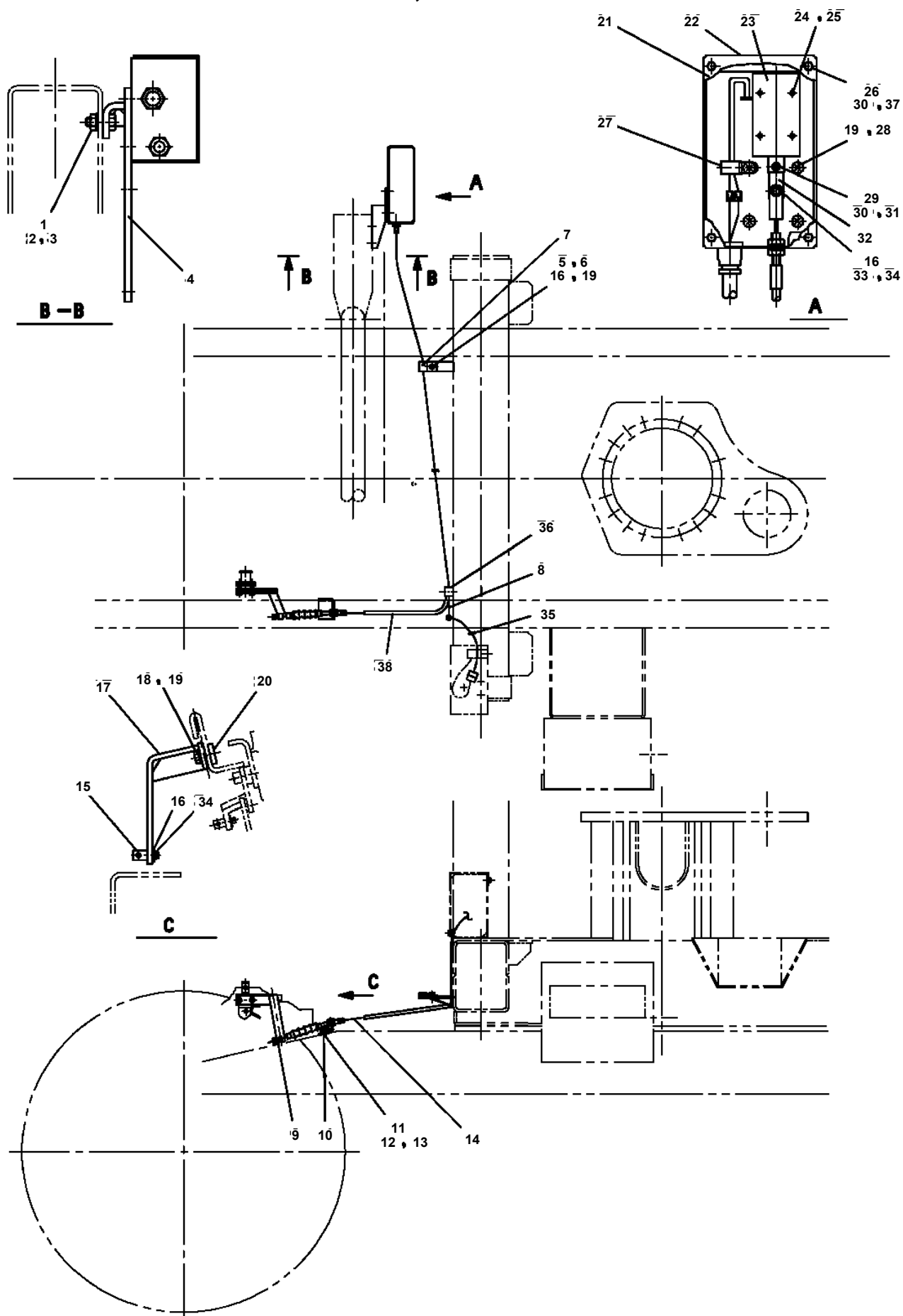
**AT-103-1 42029120300 LOWER, MITSUBISHI U-FE315BNHE  
PB1410192-00 PIPING, HYDRAULIC LOWER**



AT-103-1 42029120300 LOWER, MITSUBISHI U-FE315BNHE  
PI1280060-03 VALVE, PILOT CHECK



**AT-103-1 42029120300 LOWER, MITSUBISHI U-FE315BNHE  
 PL1070004-01 OPERATION SYSTEM, ENGINE STOP**



CLICK HERE TO **DOWNLOAD** THE COMPLETE MANUAL

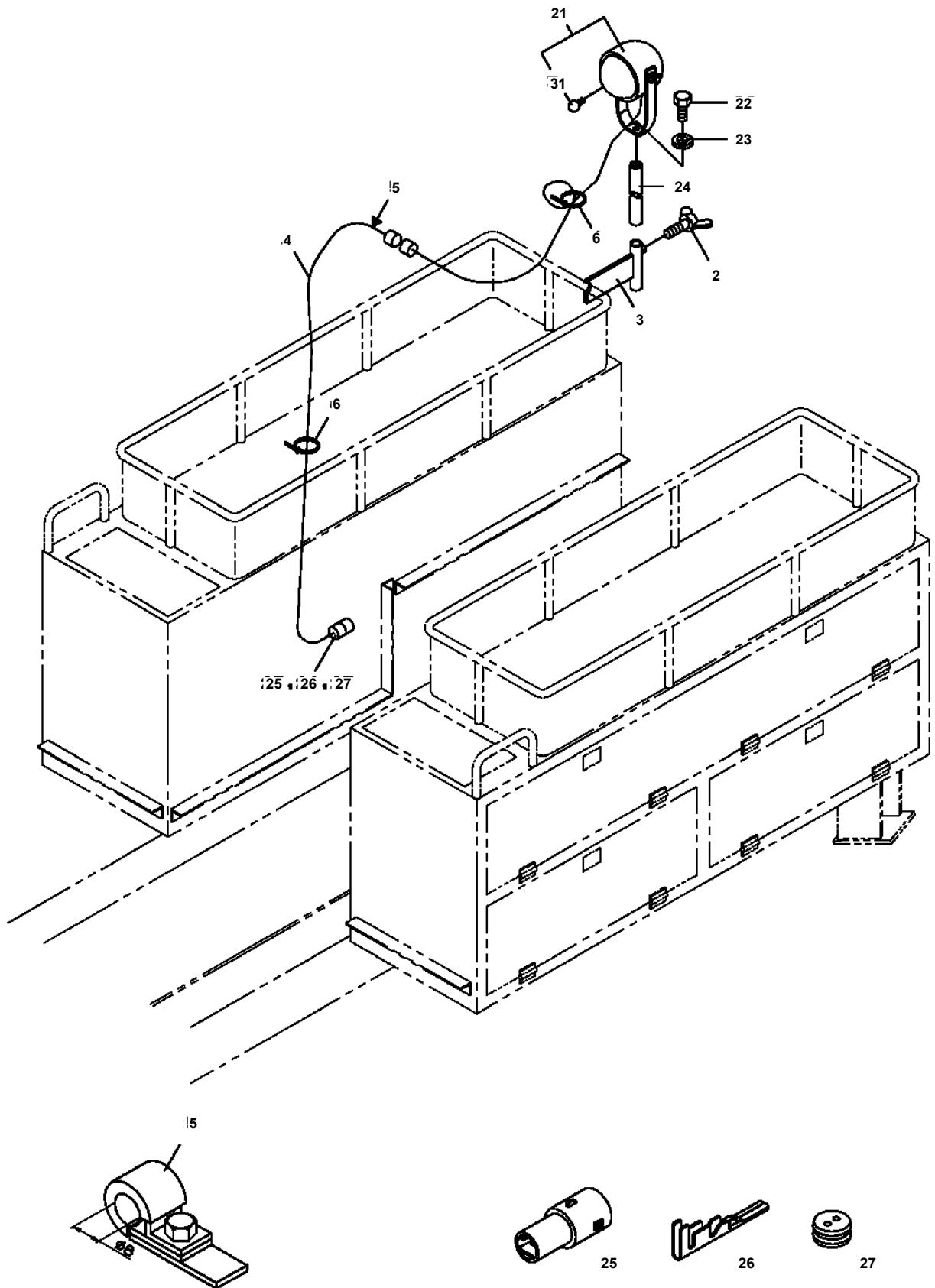
- Thank you very much for reading the preview of the manual.
- You can download the complete manual from: [www.heydownloads.com](http://www.heydownloads.com) by clicking the link below



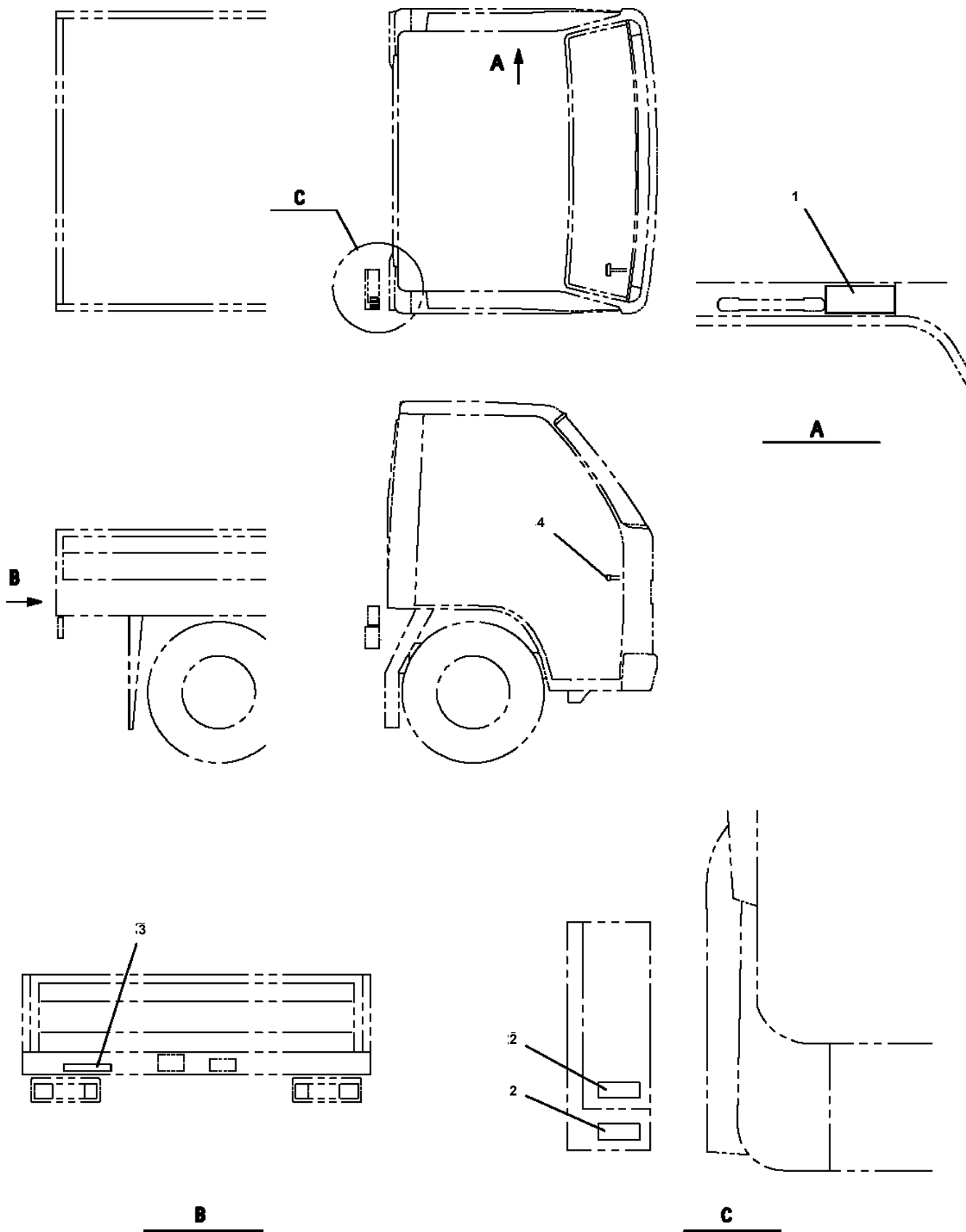
- Please note: If there is no response to CLICKING the link, please download this PDF first and then click on it.

CLICK HERE TO **DOWNLOAD** THE COMPLETE MANUAL

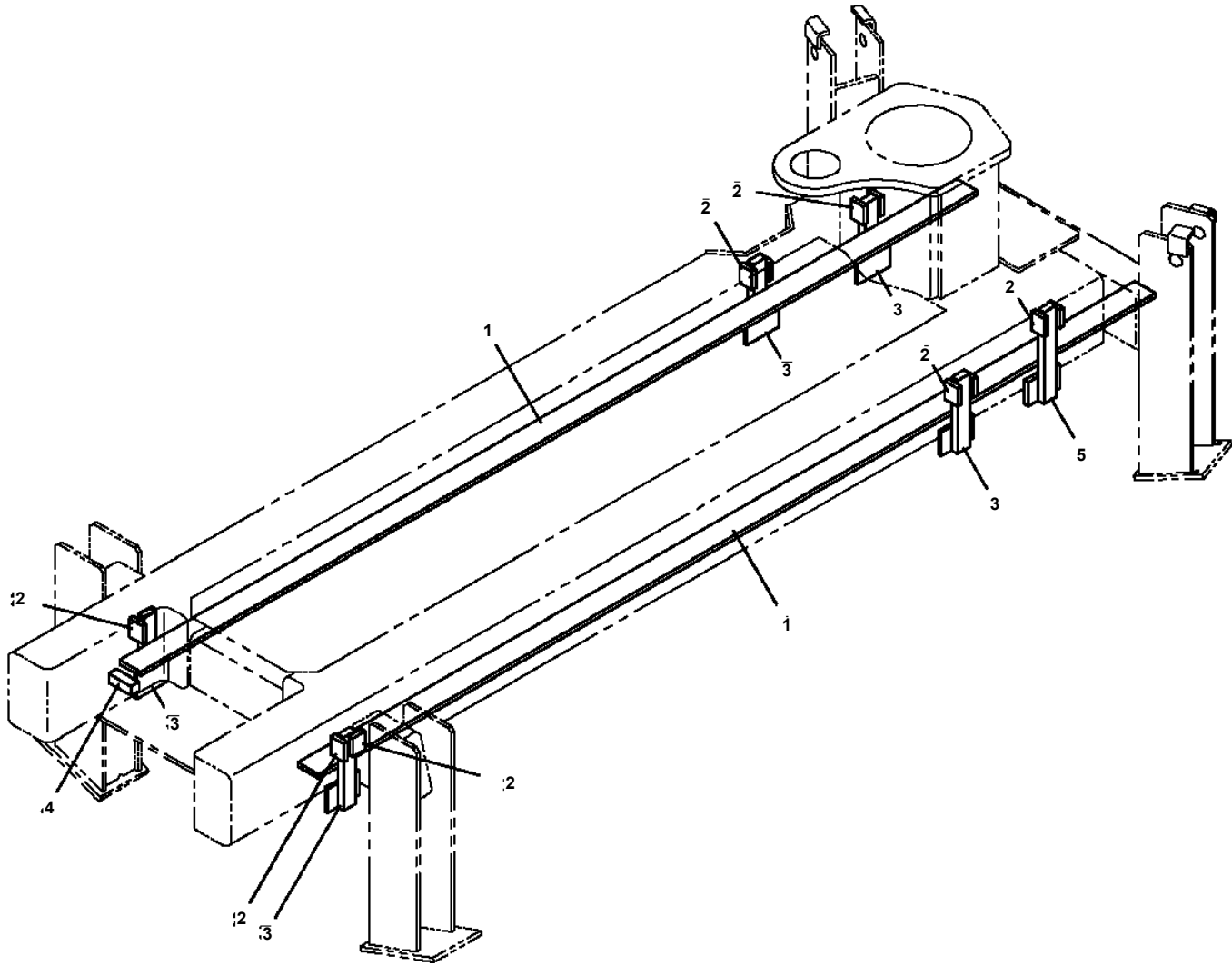
AT-103-1 42029120300 LOWER, MITSUBISHI U-FE315BNHE  
PN1080006-00 LAMP (WORKING)



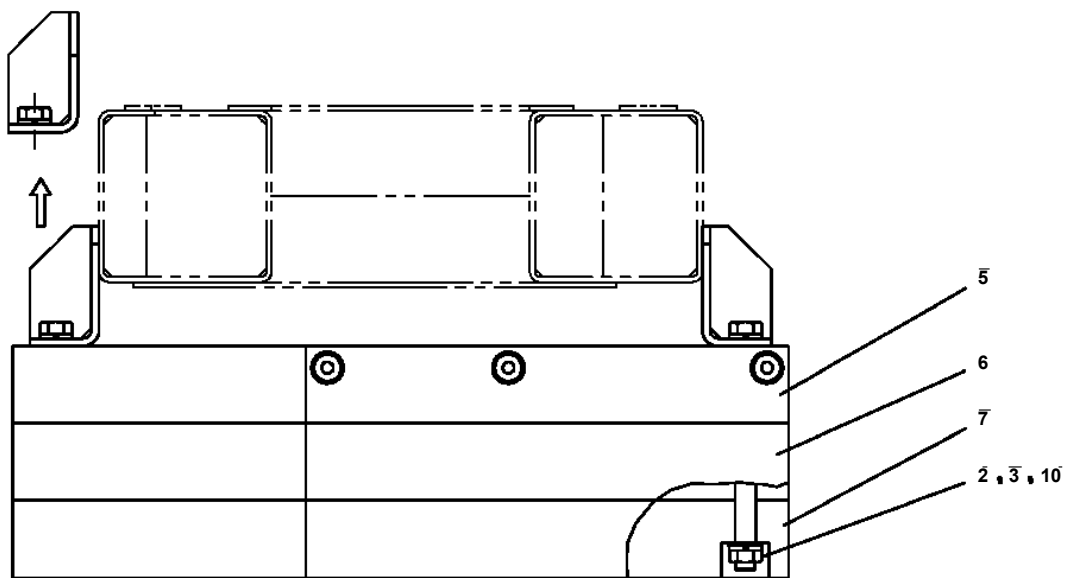
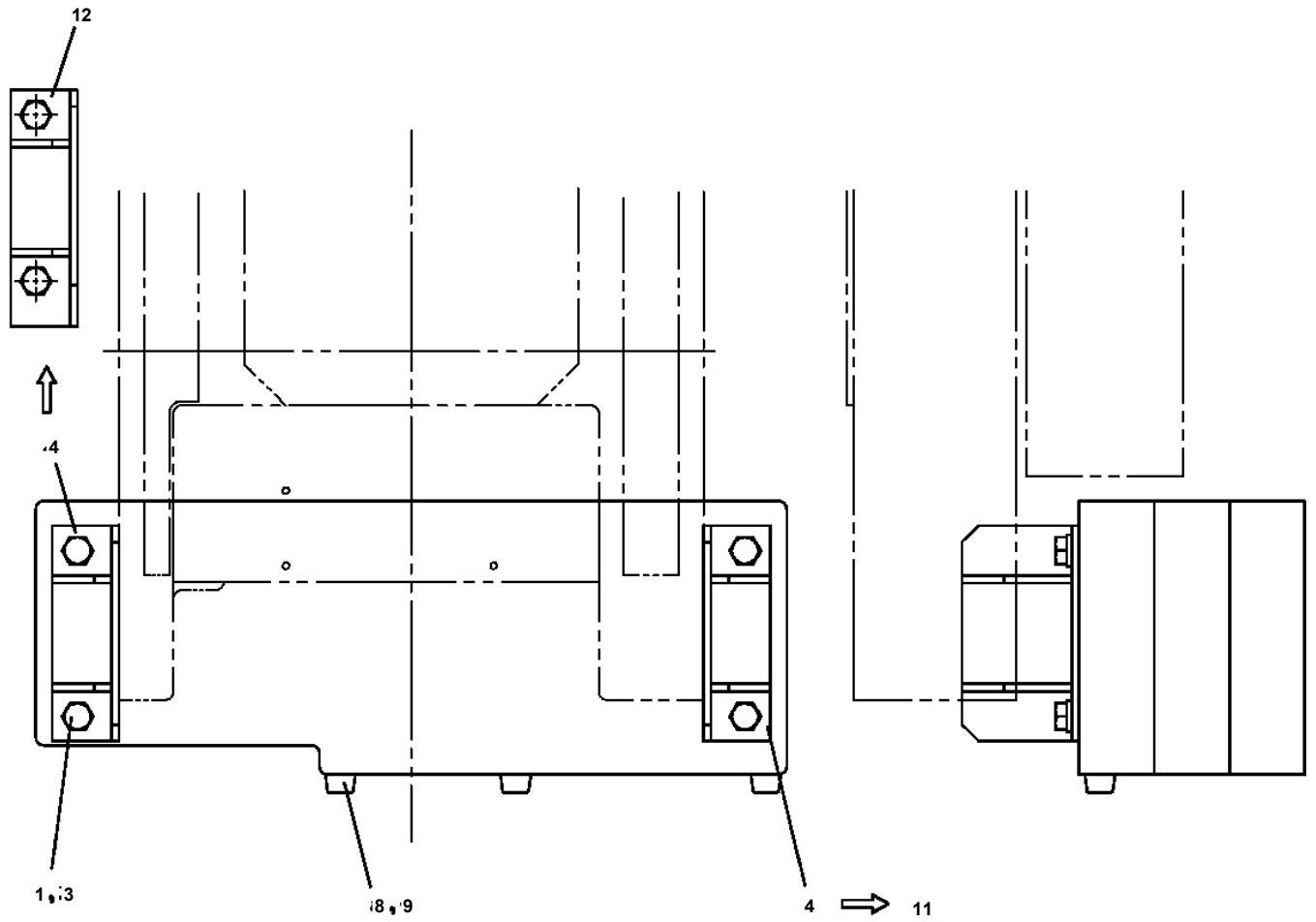
AT-103-1 42029120300 LOWER, MITSUBISHI U-FE315BNHE  
PO1011282-00 PLATE, INDICATION



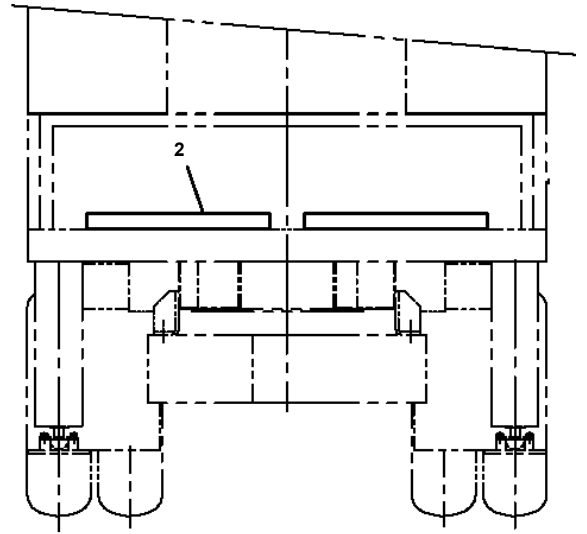
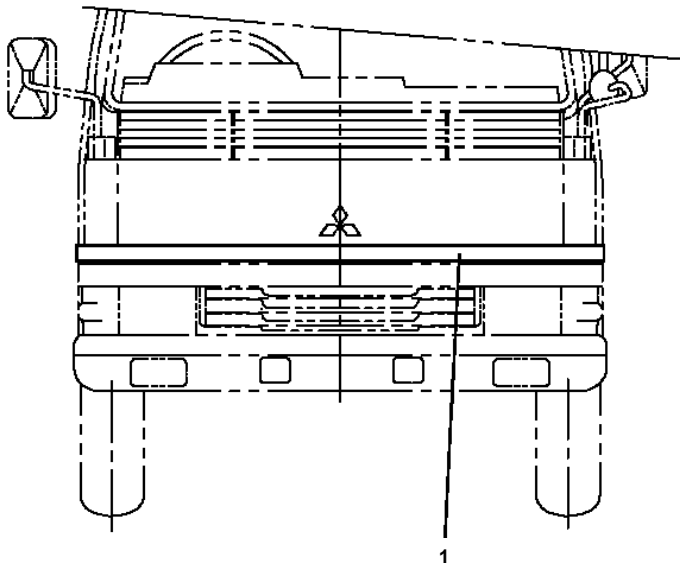
**AT-103-1 42029120300 LOWER, MITSUBISHI U-FE315BNHE  
PX1170118-00 ATTACHMENT PARTS, CRANE FRAME**



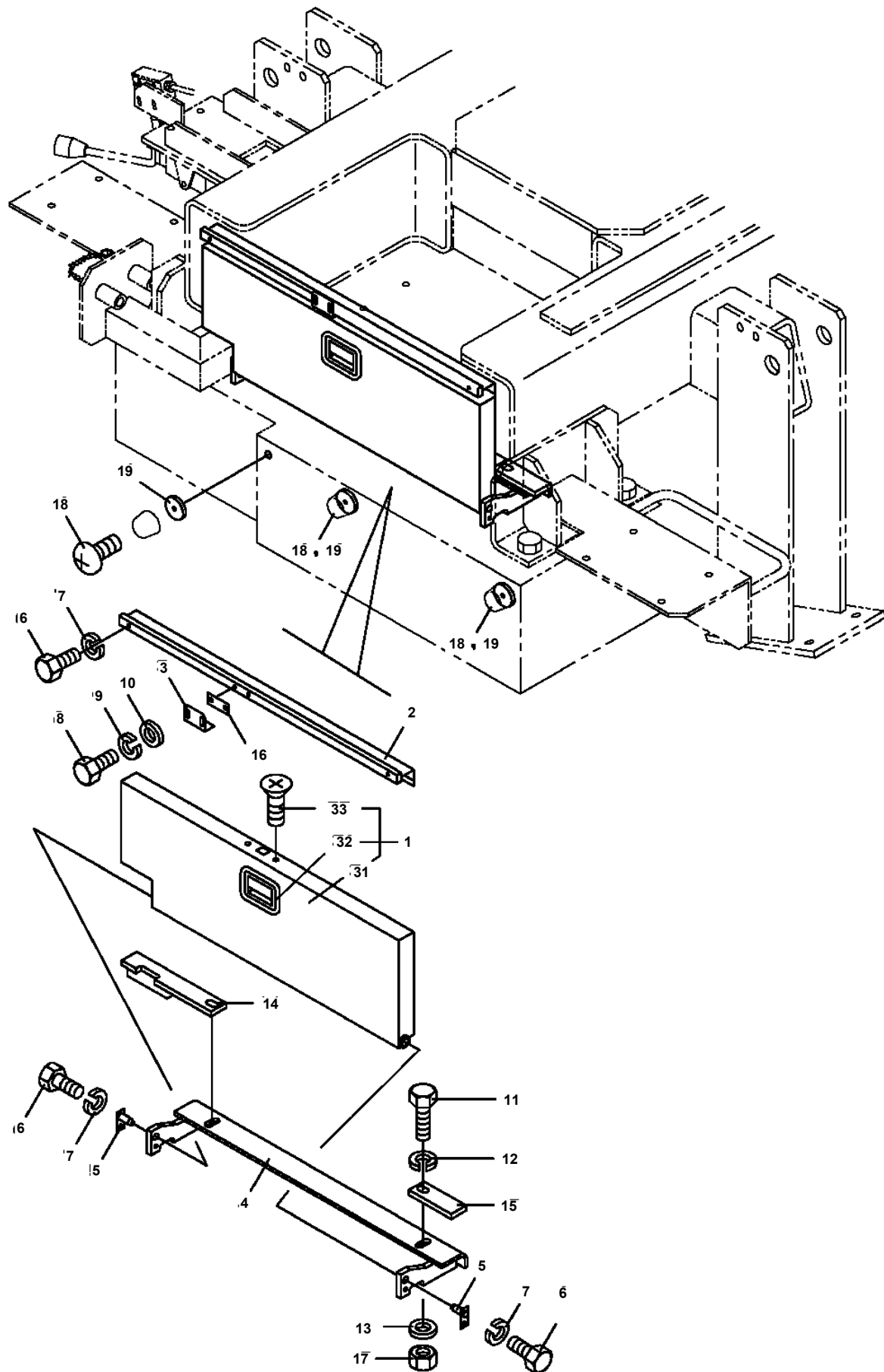
**AT-103-1 42029120300 LOWER, MITSUBISHI U-FE315BNHE  
PX1290095-01 WEIGHT INSTALLATION**



AT-103-1 42029120300 LOWER, MITSUBISHI U-FE315BNHE  
PY1530008-00 REFLECTOR



**AT-103-1 42029120300 LOWER, MITSUBISHI U-FE315BNHE  
PY1740006-00 COVER (OPERATION BOX, OUTRIGGER)**



CLICK HERE TO **DOWNLOAD** THE COMPLETE MANUAL

- Thank you very much for reading the preview of the manual.
- You can download the complete manual from: [www.heydownloads.com](http://www.heydownloads.com) by clicking the link below



- Please note: If there is no response to CLICKING the link, please download this PDF first and then click on it.

CLICK HERE TO **DOWNLOAD** THE COMPLETE MANUAL