

AT-103-1 42029140400 LOWER,ISUZU U-NKR58EPN-5EX
PX1000142-02 MOUNTING PARTS
ASSEMBLY

CLICK HERE TO **DOWNLOAD** THE COMPLETE MANUAL

- Thank you very much for reading the preview of the manual.
- You can download the complete manual from: www.heydownloads.com by clicking the link below



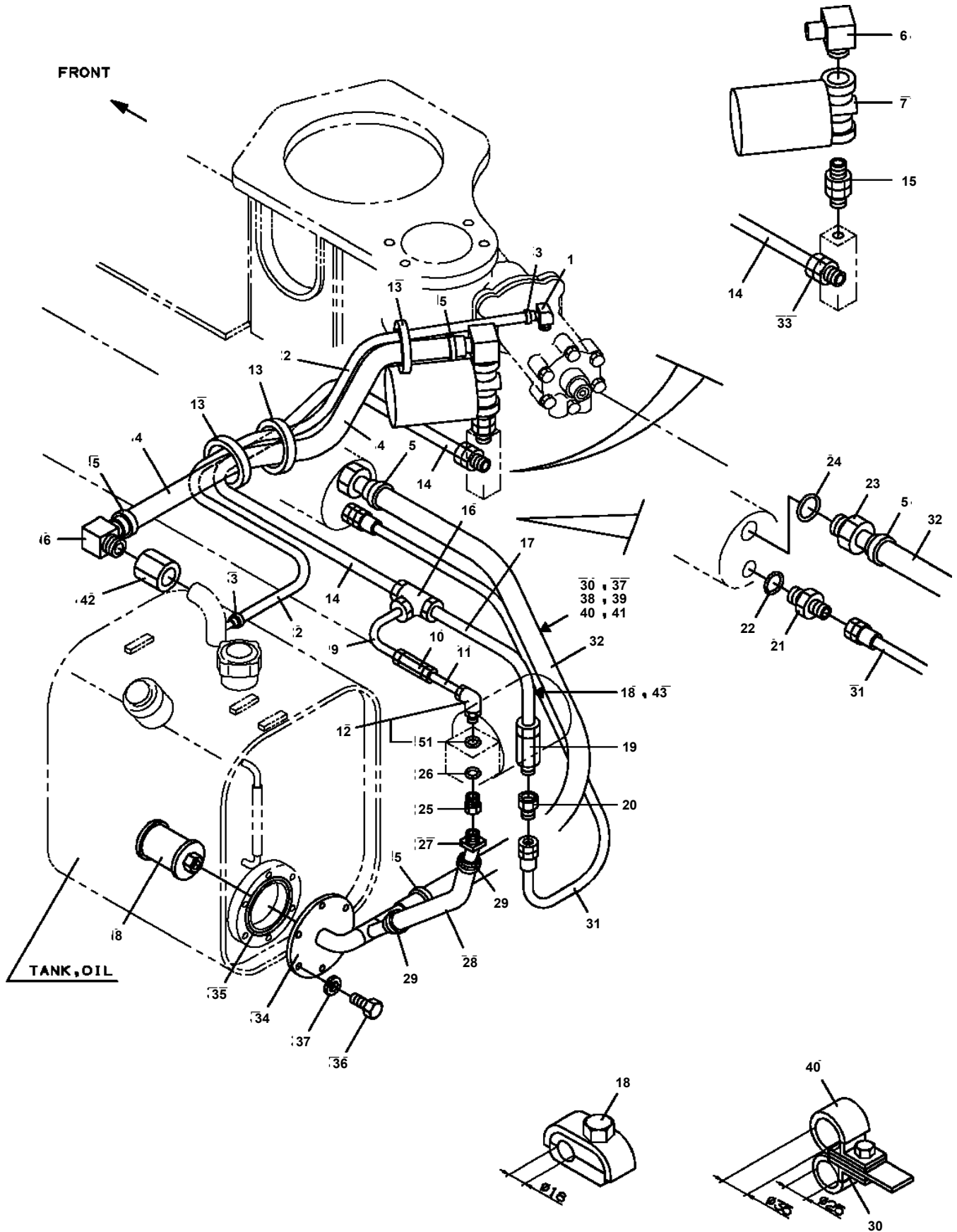
- Please note: If there is no response to CLICKING the link, please download this PDF first and then click on it.

CLICK HERE TO **DOWNLOAD** THE COMPLETE MANUAL

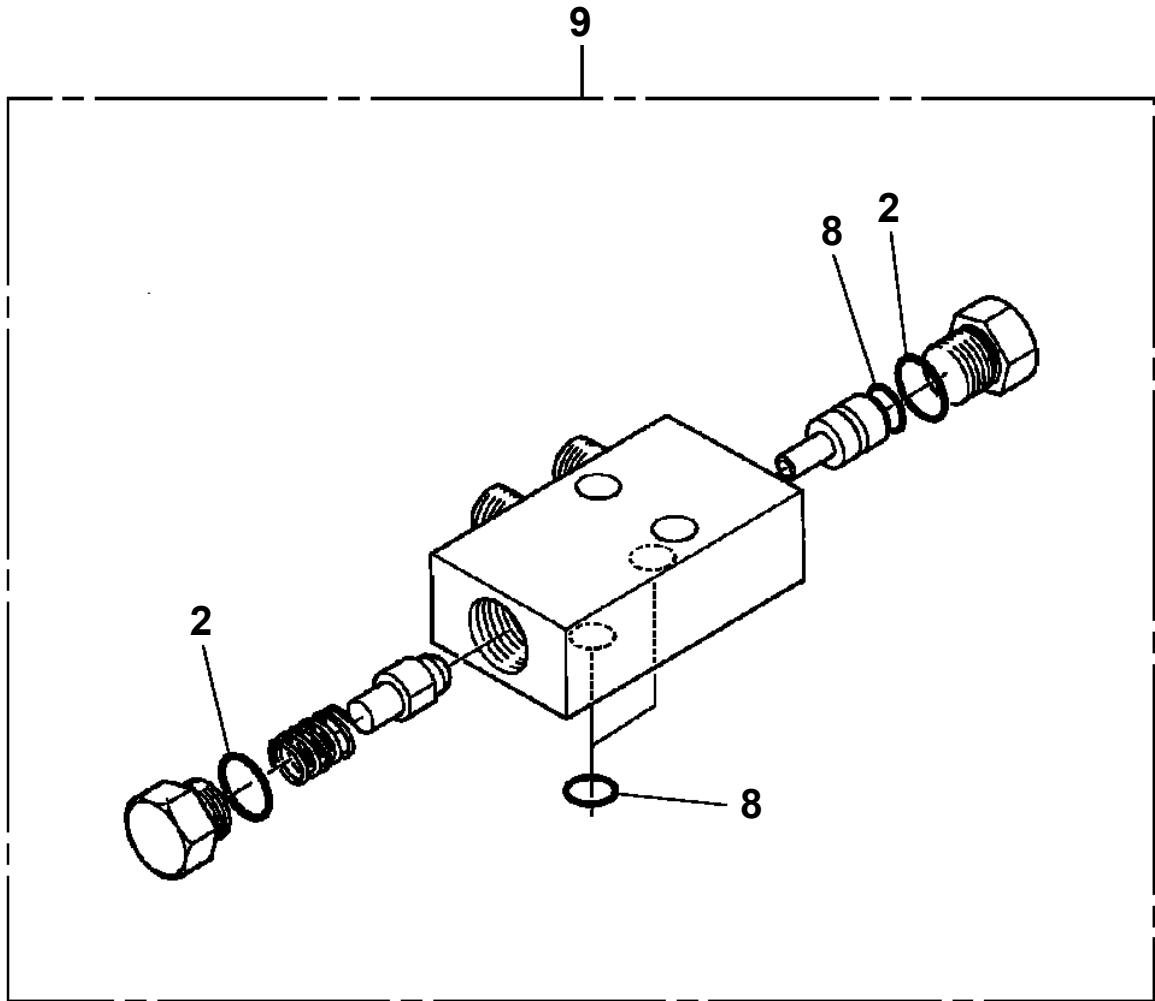
AT-103-1 42029140400 LOWER,ISUZU U-NKR58EPN-5EX

Pos No.	Parts No	Parts Name	Qty	Unit	Technical Data	Serial No (Start)	Serial No (End)	Remarks	Pages
8	36650035070	BACKUP STRIP	2						
9	36650035080	GASKET	2						
10	52263902050	GASKET	2						
13	36650035090	SEAL,OIL	1						
20	36650590000	PUMP,HYDRAULIC	1						

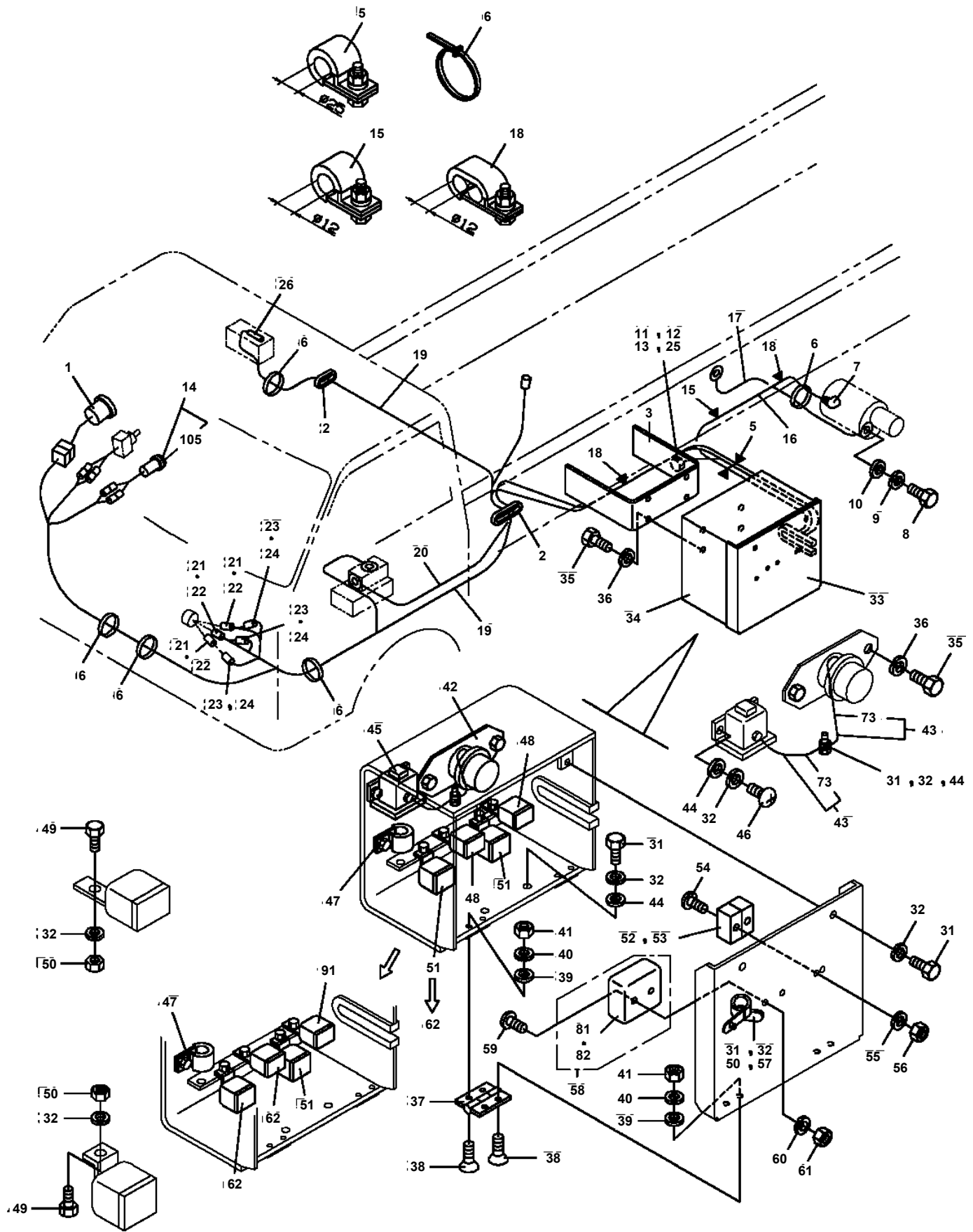
**AT-103-1 42029140400 LOWER,ISUZU U-NKR58EPN-5EX
PB1410192-00 PIPING,HYDRAULIC LOWER**



AT-103-1 42029140400 LOWER,ISUZU U-NKR58EPN-5EX
PI1280060-03 VALVE,PILOT CHECK



AT-103-1 42029140400 LOWER,ISUZU U-NKR58EPN-5EX
PN1010797-01 ELEC.ASSY (1)



CLICK HERE TO **DOWNLOAD** THE COMPLETE MANUAL

- Thank you very much for reading the preview of the manual.
- You can download the complete manual from: www.heydownloads.com by clicking the link below



- Please note: If there is no response to CLICKING the link, please download this PDF first and then click on it.

CLICK HERE TO **DOWNLOAD** THE COMPLETE MANUAL

AT-103-1 42029140400 LOWER,ISUZU U-NKR58EPN-5EX

Pos No.	Parts No	Parts Name	Qty	Unit	Technical Data	Serial No (Start)	Serial No (End)	Remarks
2	90813108016	BOLT,WING	1		M8X16			
3	42801730010	SUPPORT	1					
4	42801730050	HARNESS	1					
5	37000705910	CLAMP ASSY	1		D=8			
6	91800000003	FASTENER	10					
21	82100001724	LAMP	1					
22	90102212020	BOLT	1		M12X20			
23	90302041201	WASHER,SPRING	1		12			
24	37000113640	PIN	1					
25	82100002283	CONNECTOR	1					
26	82100002256	TERMINAL	2					
27	82100002329	PLUG	1					
31	82100000044	BULB,LAMP (24V 60/60W>	1					

AT-103-1 42029140400 LOWER,ISUZU U-NKR58EPN-5EX

Pos No.	Parts No	Parts Name	Qty	Unit	Technical Data	Serial No (Start)	Serial No (End)
1	42460012550	WEDGE (STOPPER FOR TIRE/JUSTIN)	1				

AT-103-1 42029140400 LOWER,ISUZU U-NKR58EPN-5EX

Pos No.	Parts No	Parts Name	Qty	Unit	Technical Data	Serial No (Start)	Serial No (End)	Remarks	Pages
1	42691910100	SUPPORT	1						
2	42690980500	SUPPORT	1						
3	37000539030	PLATE	2						
4	90101512022	BOLT	4		M12X22				
5	90302041201	WASHER,SPRING	4		12				

AT-103-1 42029140400 LOWER,ISUZU U-NKR58EPN-5EX

Pos No.	Parts No	Parts Name	Qty	Unit	Technical Data	Serial No (Start)	Serial No (End)	Remarks	Pages
11	42831191100	BOX,TOOL	1						
12	42831191200	BOX,TOOL	1						
13	42830343000	DECK	1						
14	42831191500	DECK	1						
15	42830340010	SUPPORT	3						
16	42830340020	SUPPORT	3						
17	42831191300	SUPPORT	1						
18	42831191400	SUPPORT	1						
19	42830340090	SUPPORT	1						
20	42830340100	SUPPORT	1						
21	37000539020	PLATE	8						
22	37000539030	PLATE	2						
23	37000539040	PLATE	3						
24	90101512022	BOLT	20		M12X22				
25	90302041201	WASHER,SPRING	20		12				
26	90101210022	BOLT	26		M10X22				
27	90302041001	WASHER,SPRING	42		10				
28	90303071001	WASHER,PLAIN	20		10				
29	90101210014	BOLT	16		M10X14				
30	37000548490	PLATE	1						

AT-103-1 42029140400 LOWER,ISUZU U-NKR58EPN-5EX

Pos No.	Parts No	Parts Name	Qty	Unit	Technical Data	Serial No (Start)	Serial No (End)	Remarks	Pages
1	42733470010	REFLECTOR	1						
2	42733120300	REFLECTOR	2						

AT-103-1 42029140400 LOWER,ISUZU U-NKR58EPN-5EX

Pos No.	Parts No	Parts Name	Qty	Unit	Technical Data	Serial No (Start)	Serial No (End)	Remarks	F
1	42891731000	COVER ASSY	1						
2	42891730010	STOPPER	1						
3	42732970100	STOPPER	1						
4	42732970200	SUPPORT	1						
5	37000101860	PIN	2						
6	90101206010	BOLT	4		M6X1.0				
7	90302040601	WASHER,SPRING	4		6				
8	90101205014	BOLT	2		M5X14				
9	90302040501	WASHER,SPRING	2		5				
10	90303070501	WASHER,PLAIN	2		5				
11	90101210035	BOLT	2		M10X35				
12	90302041001	WASHER,SPRING	2		10				
13	90303071001	WASHER,PLAIN	4		10				
14	42732970300	SUPPORT	1						
15	42732970400	SUPPORT	1						
16	37000543970	PLATE	5						
17	90201201000	NUT	2		M10				
18	80172305025	SCREW,MACHINE	3		M5X25		215245		
	80172305030	SCREW,MACHINE	3		M5X30	215246			
19	42732970500	PLATE	3						
31	42891731010	COVER	1						
32	82400000417	CATCH (WITHOUT KEY)	1						
33	80175305010	SCREW,MACHINE	2		M5X10				

CLICK HERE TO **DOWNLOAD** THE COMPLETE MANUAL

- Thank you very much for reading the preview of the manual.
- You can download the complete manual from: www.heydownloads.com by clicking the link below



- Please note: If there is no response to CLICKING the link, please download this PDF first and then click on it.

CLICK HERE TO **DOWNLOAD** THE COMPLETE MANUAL