

AT-100S-2 42080240654 UPPER,LOWER,ISUZU

PB0000390-00 UPPER STRUCTURE SYSTEM

PB0000505-00 LOWER STRUCTURE SYSTEM

ASSEMBLY

CLICK HERE TO **DOWNLOAD** THE COMPLETE MANUAL

- Thank you very much for reading the preview of the manual.
- You can download the complete manual from: www.heydownloads.com by clicking the link below

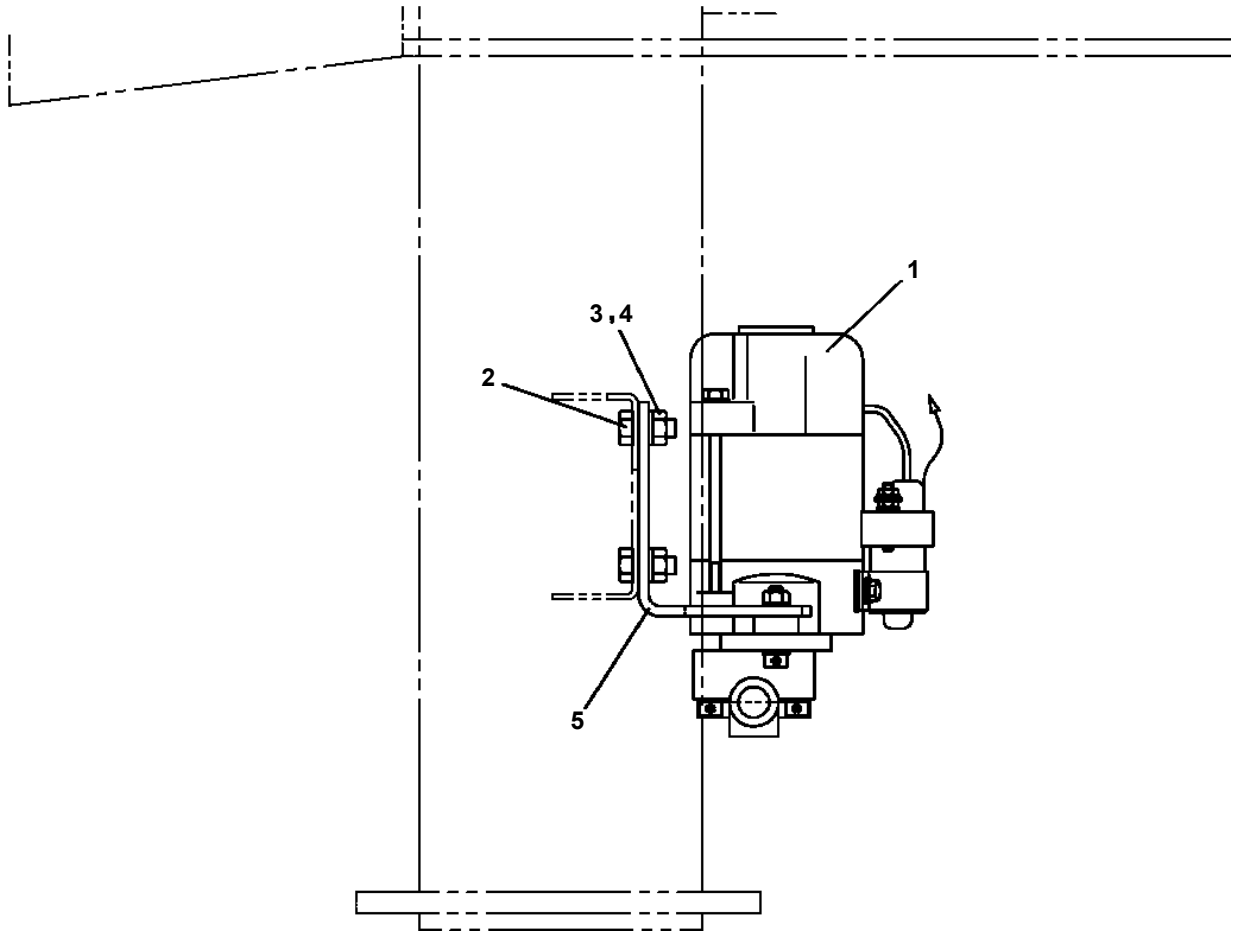


- Please note: If there is no response to CLICKING the link, please download this PDF first and then click on it.

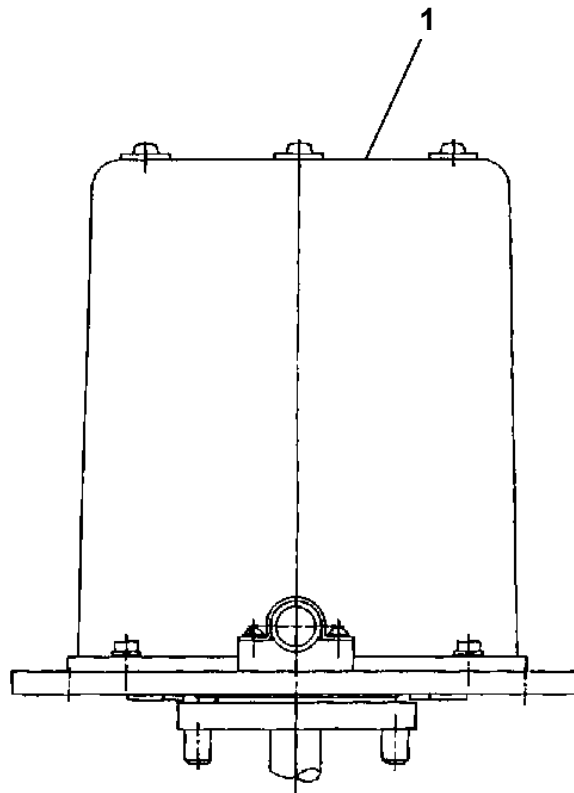
CLICK HERE TO **DOWNLOAD** THE COMPLETE MANUAL

**AT-100S-2 42080240654 UPPER,LOWER,ISUZU
PB1110036-00 MOUNT,PUMP (EMERGENCY)**

FRONT ←



**AT-100S-2 42080240654 UPPER,LOWER,ISUZU
PB1310029-00 BRUSH,ROTARY JOINT**



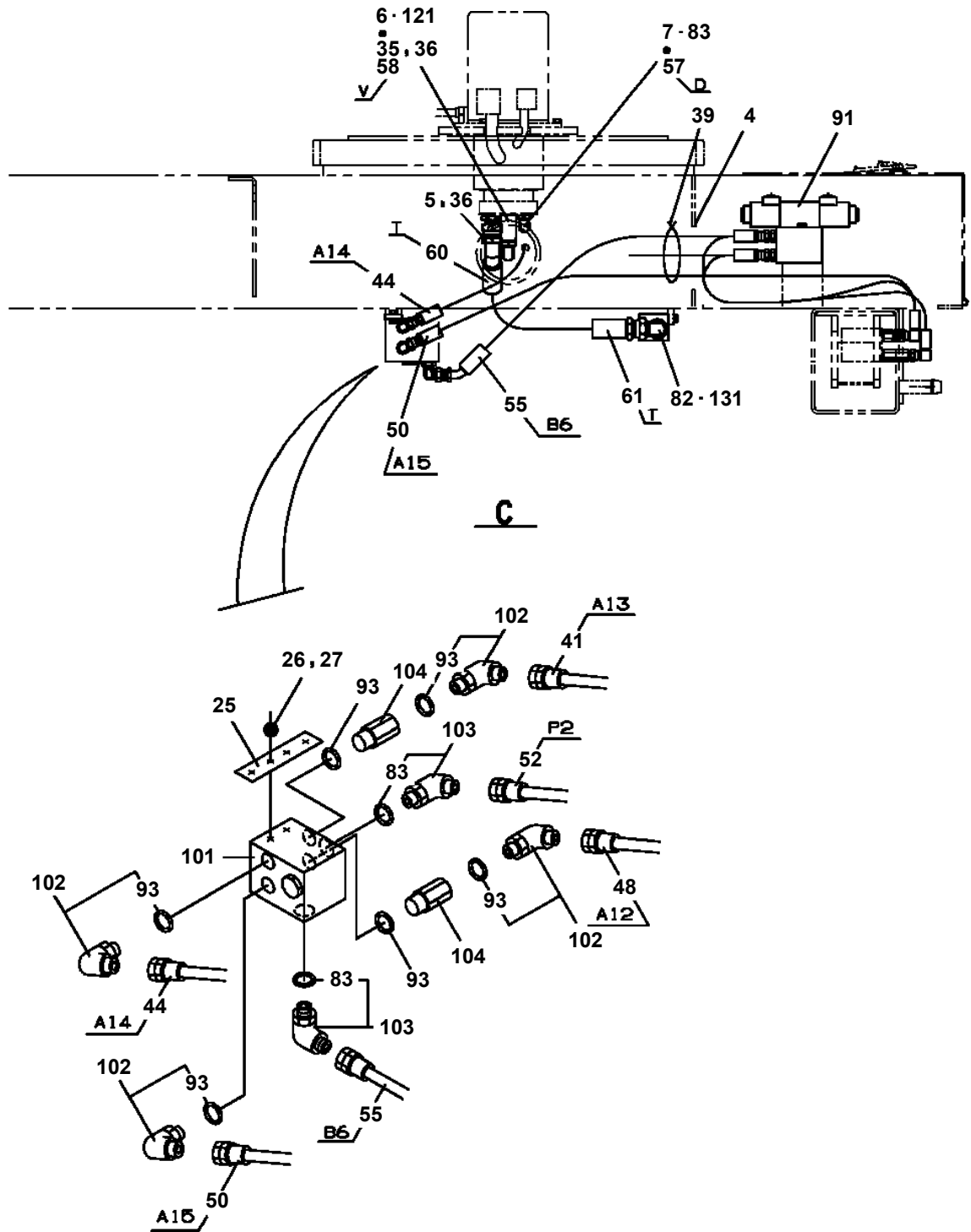
AT-100S-2 42080240654 UPPER,LOWER,ISUZU

Pos No.	Parts No	Parts Name	Qty	Unit	Technical Data	Serial No (Start)	Serial No (End)	Remarks
1	(*****)	MOUNT,PUMP (EMERGENCY)	1					

AT-100S-2 42080240654 UPPER,LOWER,ISUZU

Pos No.	Parts No	Parts Name	Qty	Unit	Technical Data	Serial No (Start)	Serial No (End)	Remarks	Pages
1	36035821000	CYLINDER	1						
2	80720105018	PIN,SPRING	1		5X18				
3	36030340200	PISTON	1						
4	91684008001	PACKING	2						
5	91411206502	RING,BACKUP	2						
6	91002803900	O-RING	1		1B P39				
7	91332208000	BEARING,PLAIN	2						
8	36035822000	ROD	1						
9	36036463000	COVER,ROD	1						
10	91002907500	O-RING	1		1B G75				
12	91694006000	PACKING	1						
13	91410206002	RING,BACKUP	1						
14	91660006001	SEAL,DUST	1						
15	90101510030	BOLT	2		M10X30				
16	90302041001	WASHER,SPRING	2		10				
17	80316030020	PLUG	1		PT1/8				
42	36036469900	PACKING SET	1		60X80				
52	80612110680	RING,RITAINING	1		AR68				
53	80801006030	BEARING,PLAIN	1						
100	36036460000	CYLINDER,JACK	1						

AT-100S-2 42080240654 UPPER,LOWER,ISUZU
PC1200549-01 PIPING,OUTRIGGER



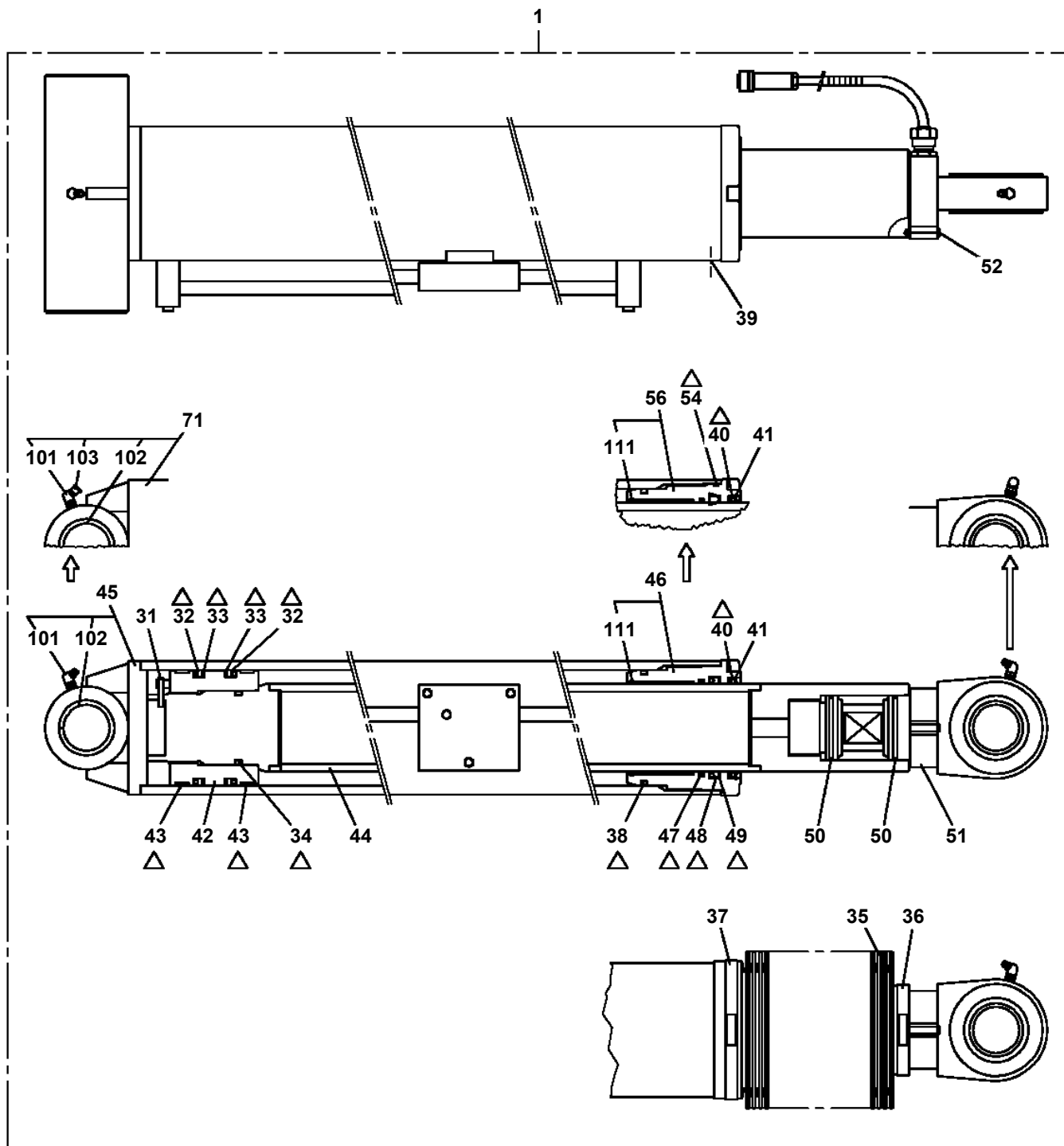
AT-100S-2 42080240654 UPPER,LOWER,ISUZU

Pos No.	Parts No	Parts Name	Qty	Unit	Technical Data	Serial No (Start)	Serial No (End)	Re
2	36035830000	CYLINDER,JACK	1					
4	42614195000	CASE,INNER	1					
5	36625740001	VALVE,CHECK	1					
6	90171108050	BOLT	4		M8X50			
7	37000921300	JOINT	1		S,PF1/4-PF1/4			
8	90171108014	BOLT	2		M8X14			
9	36673010000	JOINT,SWIVEL	2					
10	90302040801	WASHER,SPRING	2		8			
11	37000931050	JOINT	2					
12	80456460600	JOINT,SELF SEALING (SOCKET)	2					
13	80456120610	JOINT,SELF SEALING (PLUG)	2					
14	80400160128	JOINT	2		S,G3/8-G1/4			
15	91002801100	O-RING	1		1B P11			
16	90171112055	BOLT	4		M12X55			
17	90302041201	WASHER,SPRING	4		12			
18	42612751010	PLATE	1					
19	90101208020	BOLT	2		M8X20			
20	37000155700	PIN	1					
21	80136340040	PIN,SPLIT	2		4X40			
22	37000112950	PIN	1					
23	80601110120	RING,RITAINING	2		S12			
24	82100002002	CLAMP	1		WR6			
25	42614190300	COVER	1					
28	90201200600	NUT	1		M6			
30	90302040601	WASHER,SPRING	5		6			
31	91002801400	O-RING	4		1B P14			
32	90101206012	BOLT	5		M6X12			
33	91810130230	FASTENER	3					
34	36672630000	FILTER (WITH O-RING)	1					
36	91810130250	FASTENER	3					
37	82100001410	TUBE,SPIRAL	1	M	SE-04BK			
51	36043420000	CYLINDER,EXTENSION	1					
52	42614192100	HARNESS	1					
53	37002452460	HOSE	2		L=1200			
54	91810130240	FASTENER	9					
56	82100002004	CLAMP	1		WR8			
57	90101206012	BOLT	1		M6X12			
58	90302040601	WASHER,SPRING	1		6			
59	80400160127	JOINT	2					
77	91001101100	O-RING	2		1A P11			
84	91002801100	O-RING	3		1B P11			
100	42614198012	CASE ASSY,INNER (FRONT,L)	1					

AT-100S-2 42080240654 UPPER,LOWER,ISUZU

Pos No.	Parts No	Parts Name	Qty	Unit	Technical Data	Serial No (Start)	Serial No (End)	Remarks
1	42272111101	COVER	1					
2	42272111200	COVER	1					
3	42271801500	COVER	1					
4	42271801600	COVER	1					
6	82464104602	HINGE	4					
7	80172803010	SCREW,MACHINE	8		M3X10			
8	37000565900	PLATE	4					
9	80172804012	SCREW,MACHINE	12		M4X12			
10	90201500400	NUT	12		M4			
11	90302510401	WASHER,SPRING	12		4			
13	82464110305	HINGE	2					
14	80172803008	SCREW,MACHINE	8		M3X8			
15	90201500300	NUT	24		M3			
16	90302510301	WASHER,SPRING (SUS 3)	32					
17	82466100702	CATCH	2					
18	80175803010	SCREW,MACHINE	16		M3X8			
19	82466009002	CATCH	4					
20	37000508510	PLATE	8					
21	80163803010	SCREW,MACHINE	8		M3X10			
22	82112001022	SLEEVE	2					
23	42220249510	ROPE,WIRE	1	M				
24	42271680020	HOOK	1					
61	82400000309	GROMMET	1		L=1000			
100	42272111000	COVER ASSY	1					

**AT-100S-2 42080240654 UPPER,LOWER,ISUZU
PE1010463-06 DERRICK ASSY**



Δ:PACKING SET KEY NO.81 (KEY NO.32,33,34,38,40,43,47,48,49)



Δ:PACKING SET KEY NO.161 (KEY NO.32,33,34,38,40,43,47,48,49,54)

AT-100S-2 42080240654 UPPER,LOWER,ISUZU

Pos No.	Parts No	Parts Name	Qty	Unit	Technical Data	Serial No (Start)	Serial No (End)	Remarks
66	37000563080	PLATE	1					
67	90172106010	BOLT,HEXAGON SOCKET	2		M6X10			
68	90302040601	WASHER,SPRING	2		6			
69	42201090400	COVER	1					
70	37000566320	PLATE	N		T=1.0			
71	37000566330	PLATE	N		T=0.5			
72	82458202000	NIPPLE,GREASE	1		B-TYPE PT1/8			
73	42201030010	PLATE	14		T=0.5			
74	37002015420	PLATE,SLIDE	8					
75	37002013560	PLATE,SLIDE	4					
76	37000581740	PLATE	12		T=0.8			
77	37002013770	PLATE,SLIDE	1					
78	37002013780	PLATE,SLIDE	1					
79	42202060010	SHIM	N		T=0.5			
101	82400000459	CAP	1					
115	82456201000	NIPPLE,GREASE	1		A-TYPE PT1/8			
122	80520045010	BEARING,ROLLER	1					
132	80513006014	BEARING,BALL	4					
141	42202065100	COVER	2					
143	90101206014	BOLT	8		M6X14			
144	90303070601	WASHER,PLAIN	11		6			
145	90302040601	WASHER,SPRING	14		6			
146	42202065200	COVER	2					
148	42200765750	SUPPORT	1					
149	42202065300	PLATE	1					
150	42200765770	SUPPORT	1					
151	42200765940	SUPPORT	1					
152	42202065400	PLATE	1					
153	42200765960	SUPPORT	1					
154	90201200600	NUT	6		M6			
161	42200763210	PLATE,NAME	1					

AT-100S-2 42080240654 UPPER,LOWER,ISUZU

Pos No.	Parts No	Parts Name	Qty	Unit	Technical Data	Serial No (Start)	Serial No (End)	Remarks
1	(*****)	BOOM	1					
2	(*****)	CYLINDER,TELESCOPING	1					
3	(*****)	PIPING,BOOM	1					
5	(*****)	CYLINDER,LEVELING	1					
6	(*****)	STEP	1					
11	(*****)	ELEC.ASSY (BOOM)	1					
12	(*****)	ELECTRICAL PARTS, BOOM	1					

AT-100S-2 42080240654 UPPER,LOWER,ISUZU

Pos No.	Parts No	Parts Name	Qty	Unit	Technical Data	Serial No (Start)	Serial No (End)	Remarks	Pages
1	42653430200	HARNESS	1						
35	42653015110	DIODE	2						

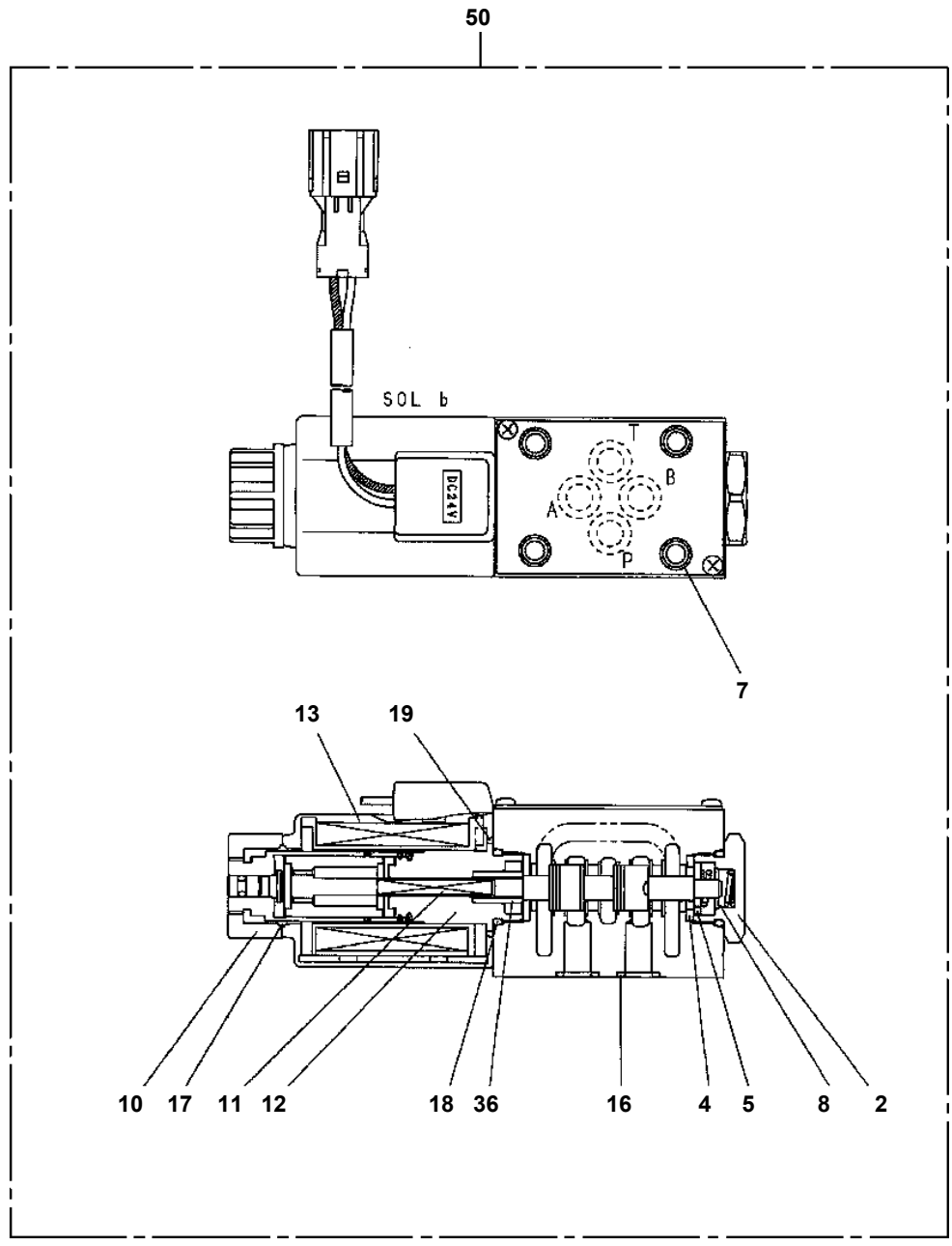
AT-100S-2 42080240654 UPPER,LOWER,ISUZU

Pos No.	Parts No	Parts Name	Qty	Unit	Technical Data	Serial No (Start)	Serial No (End)	Remarks	Pages
100	42714372000	HARNESS	1						

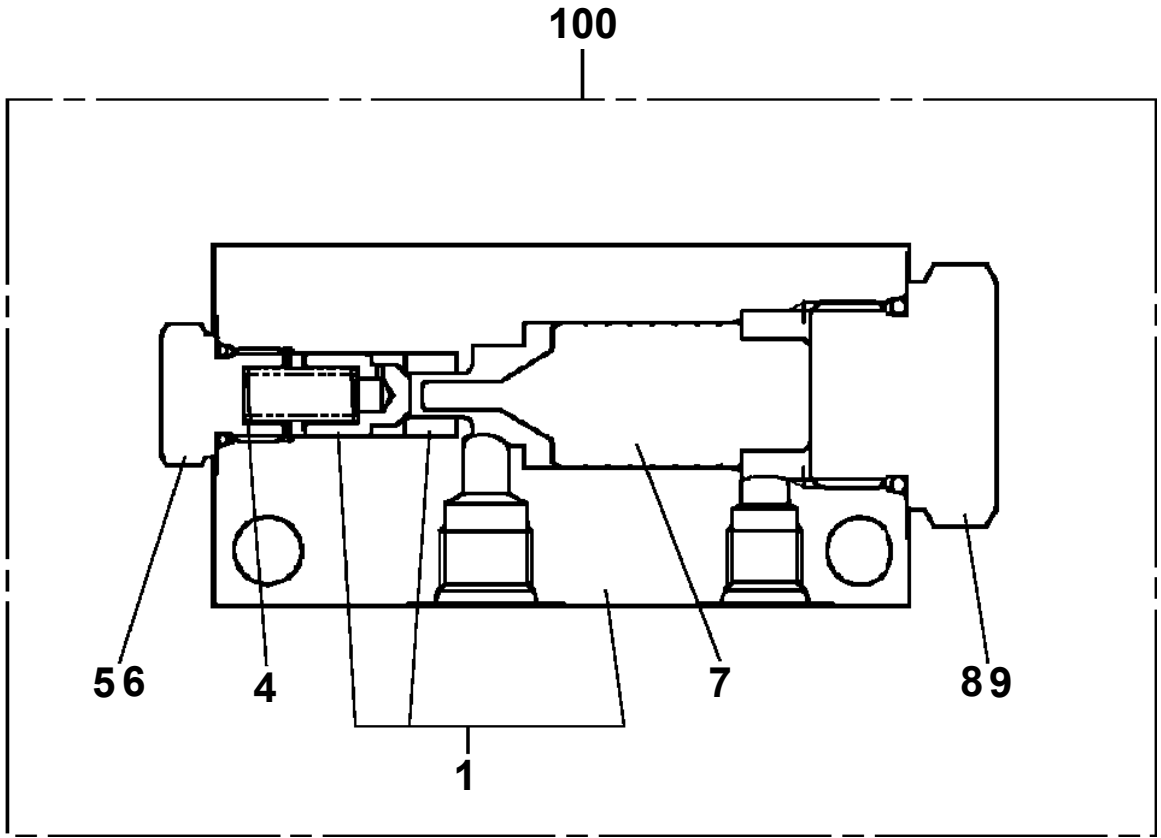
AT-100S-2 42080240654 UPPER,LOWER,ISUZU

Pos No.	Parts No	Parts Name	Qty	Unit	Technical Data	Serial No (Start)	Serial No (End)	Remarks
7	36642765050	O-RING	1					
8	36642765060	WASHER (CENTER)	2					
10	91000501200	O-RING	4					
13	36643435020	SPRING	2					
14	36642765070	PLUG	1					
31	36741765010	NUT	1					
32	36741765020	O-RING	1					
33	36649995020	CORE ASSY (SOLENOID)	1					
34	36643435040	PIN,SPRING	4					
35	36648475110	O-RING	1					
41	36644965010	O-RING	1					
44	36741765040	COIL,SOLENOID	1					
50	36645920000	VALVE,SOLENOID	1					

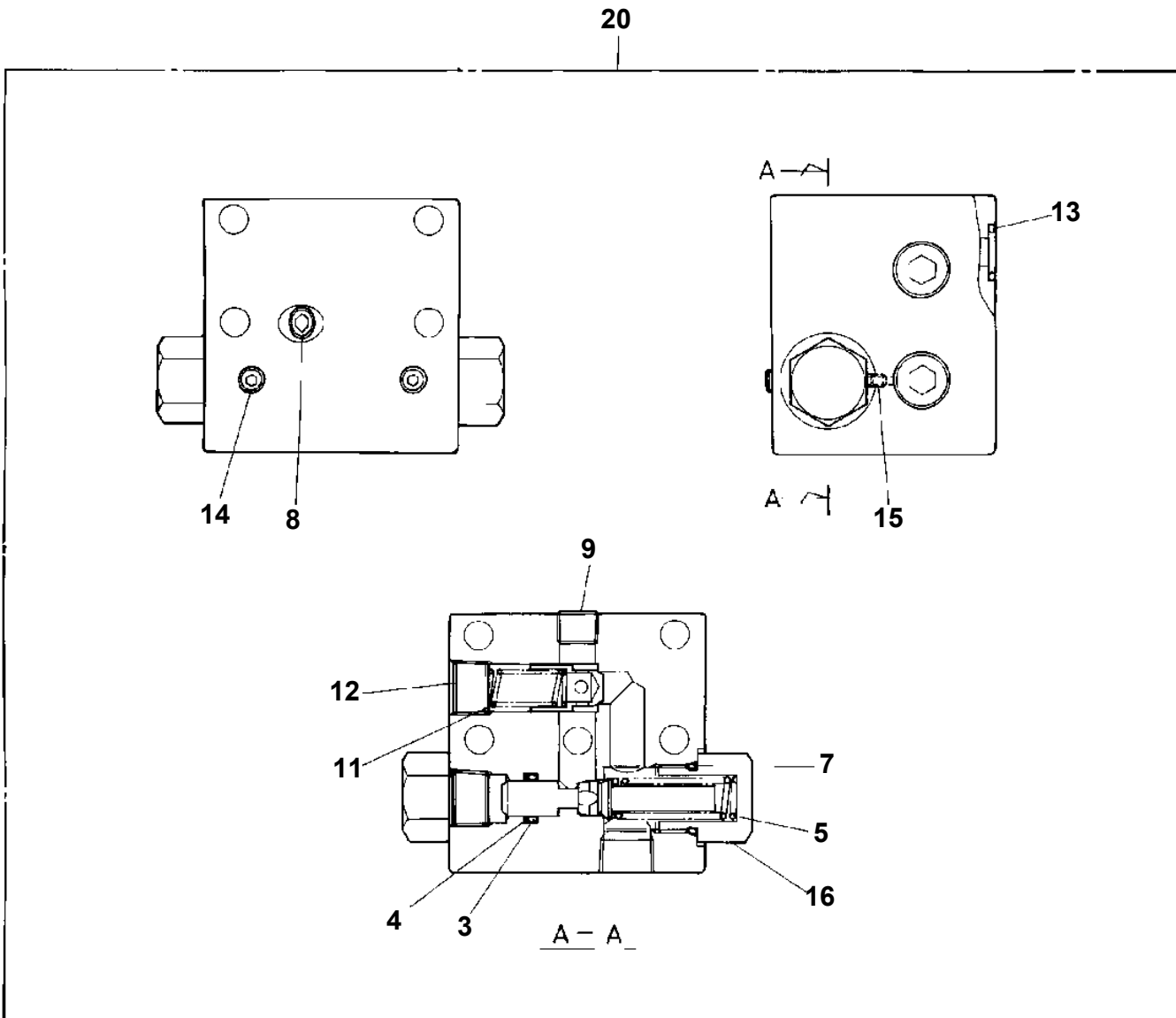
**AT-100S-2 42080240654 UPPER,LOWER,ISUZU
PI1120272-01 VALVE,SOLENOID**



**AT-100S-2 42080240654 UPPER,LOWER,ISUZU
PI1140212-00 VALVE,CHECK**



**AT-100S-2 42080240654 UPPER, LOWER, ISUZU
PI1250027-00 VALVE, COUNTERBALANCE**



CLICK HERE TO **DOWNLOAD** THE COMPLETE MANUAL

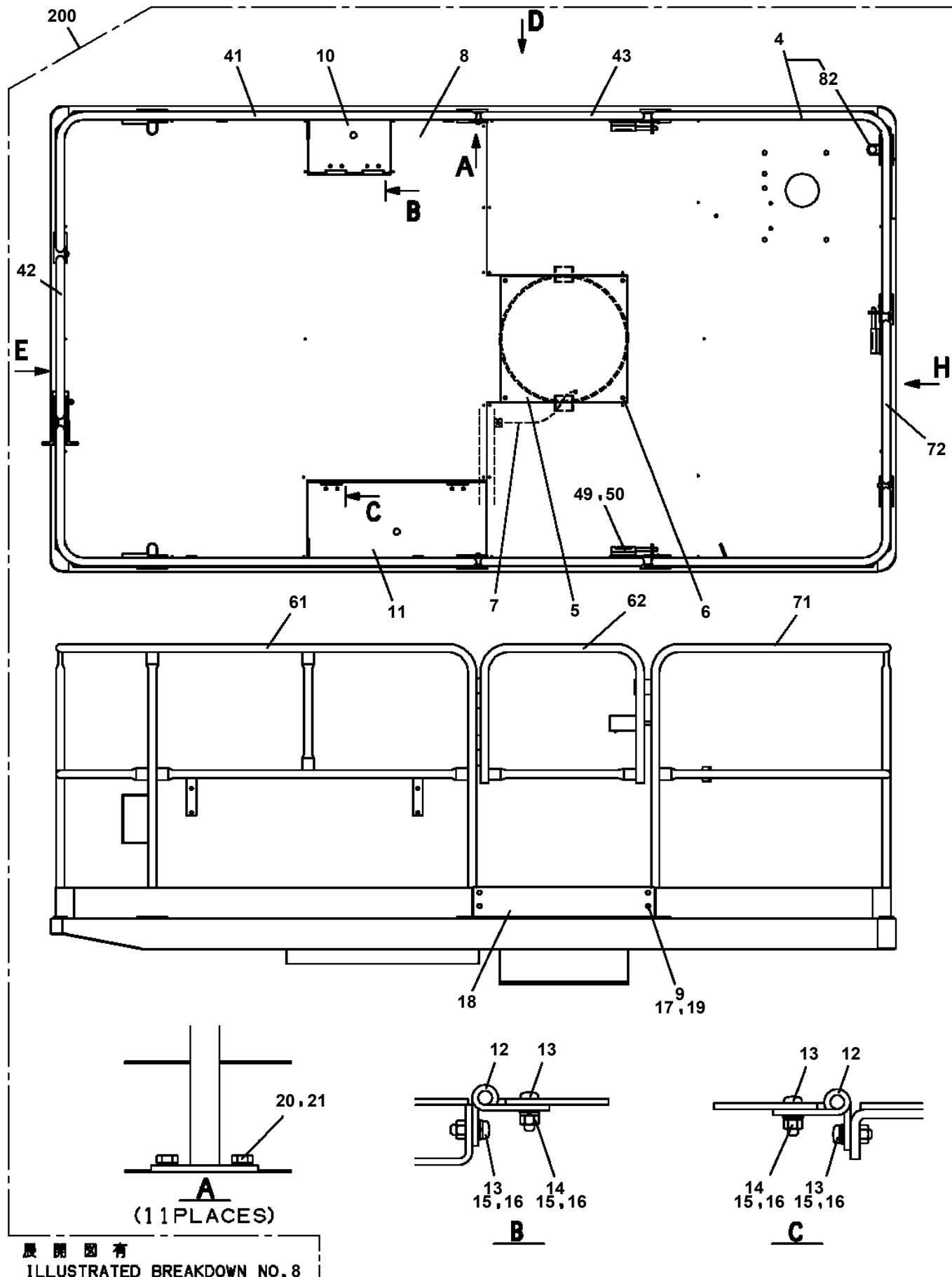
- Thank you very much for reading the preview of the manual.
- You can download the complete manual from: www.heydownloads.com by clicking the link below



- Please note: If there is no response to CLICKING the link, please download this PDF first and then click on it.

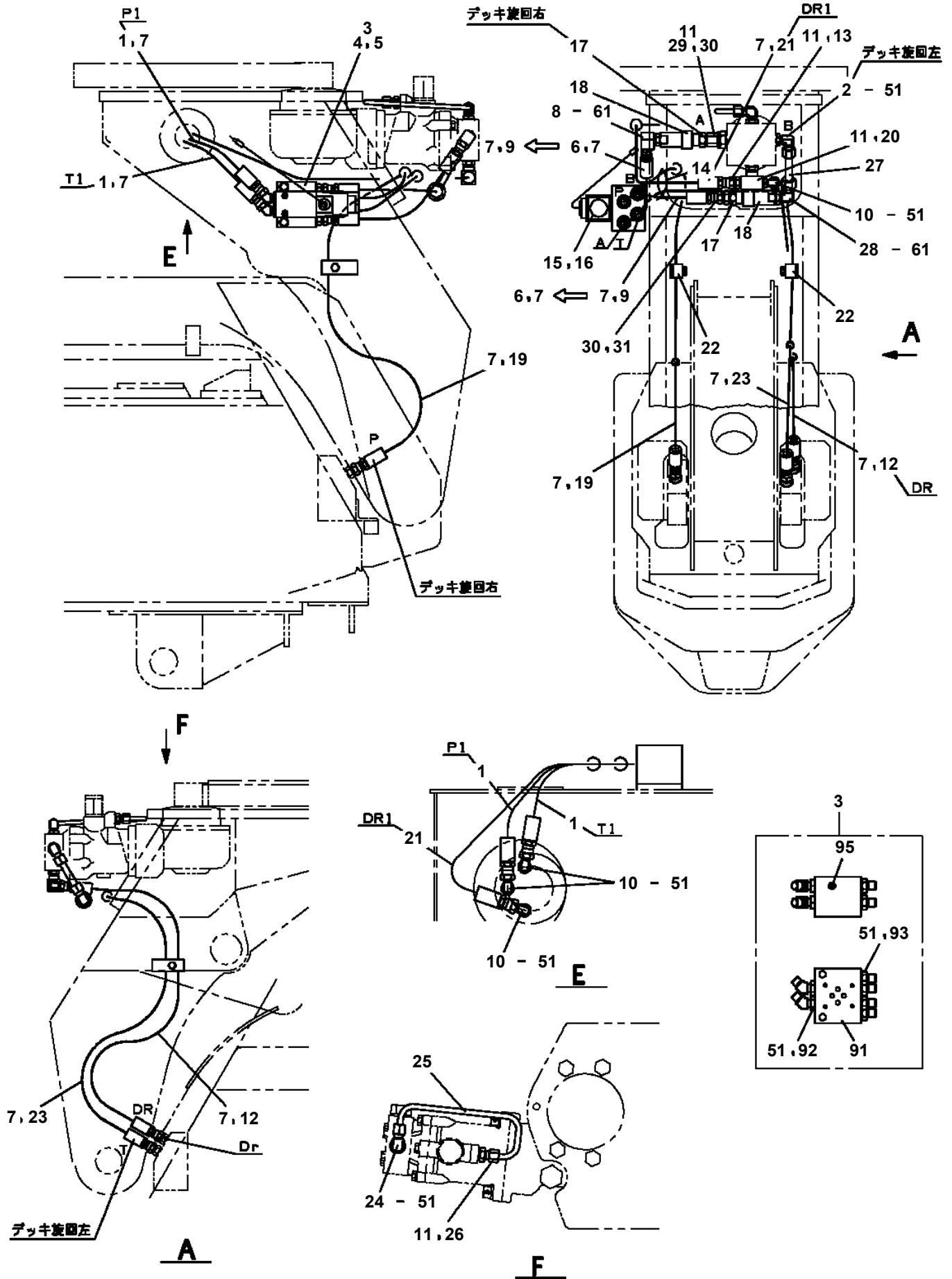
CLICK HERE TO **DOWNLOAD** THE COMPLETE MANUAL

AT-100S-2 42080240654 UPPER,LOWER,ISUZU
 PJ3010277-03 PLATFORM

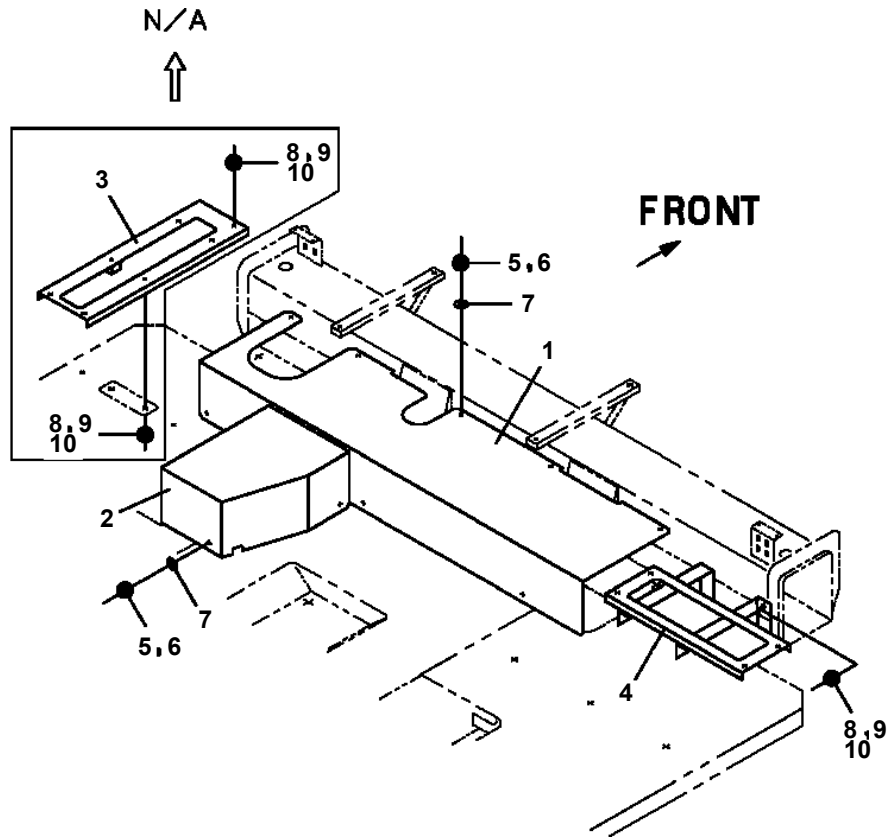


展開圖有
 ILLUSTRATED BREAKDOWN NO. 8

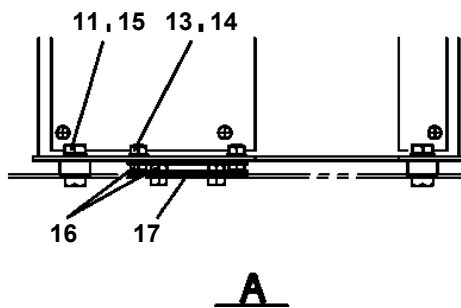
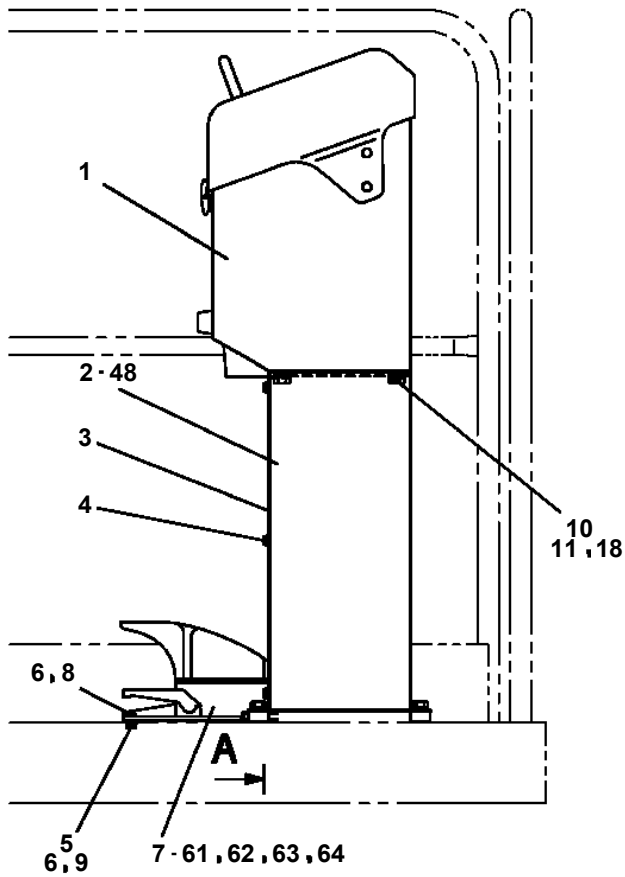
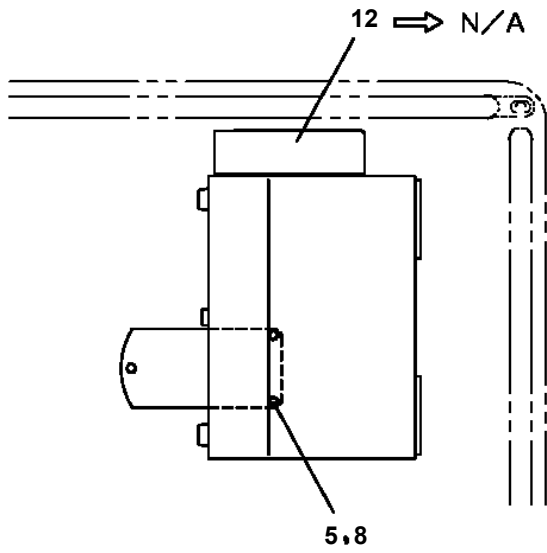
**AT-100S-2 42080240654 UPPER,LOWER,ISUZU
PJ3200089-02 PIPING,PLATFORM**



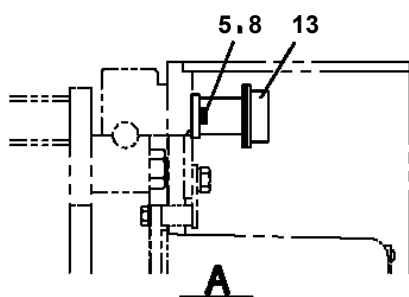
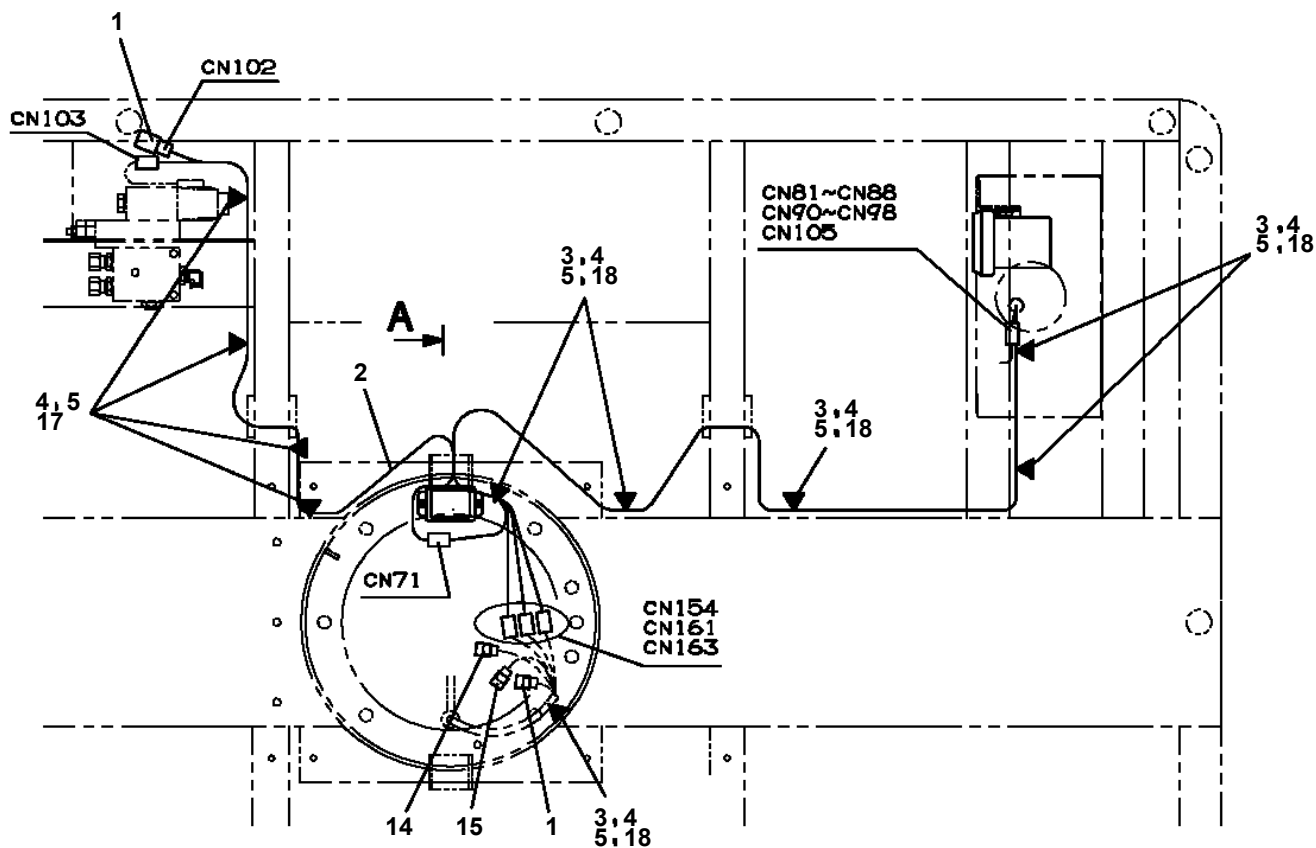
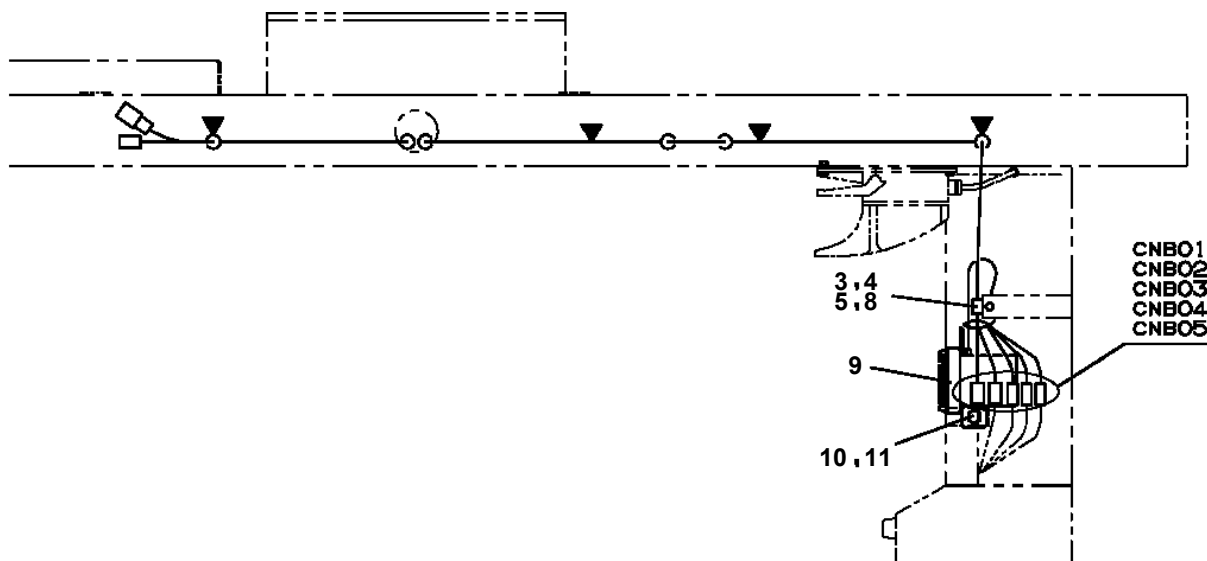
AT-100S-2 42080240654 UPPER,LOWER,ISUZU
PK1330295-01 COVER



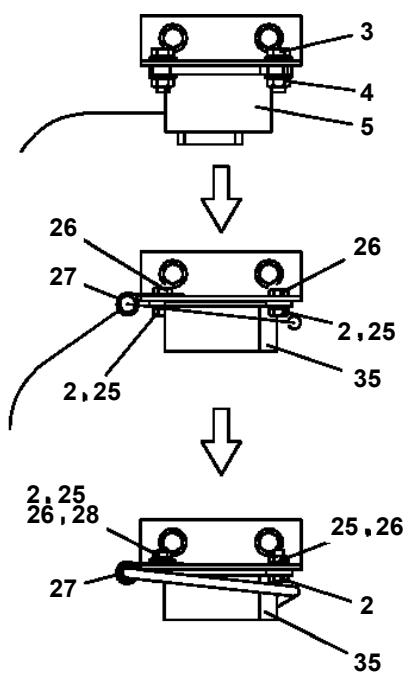
AT-100S-2 42080240654 UPPER,LOWER,ISUZU
PL1920045-01 OPE.ASSY (PLATFORM)



AT-100S-2 42080240654 UPPER,LOWER,ISUZU
PN1014026-01 ELEC.ASSY (PLATFORM)

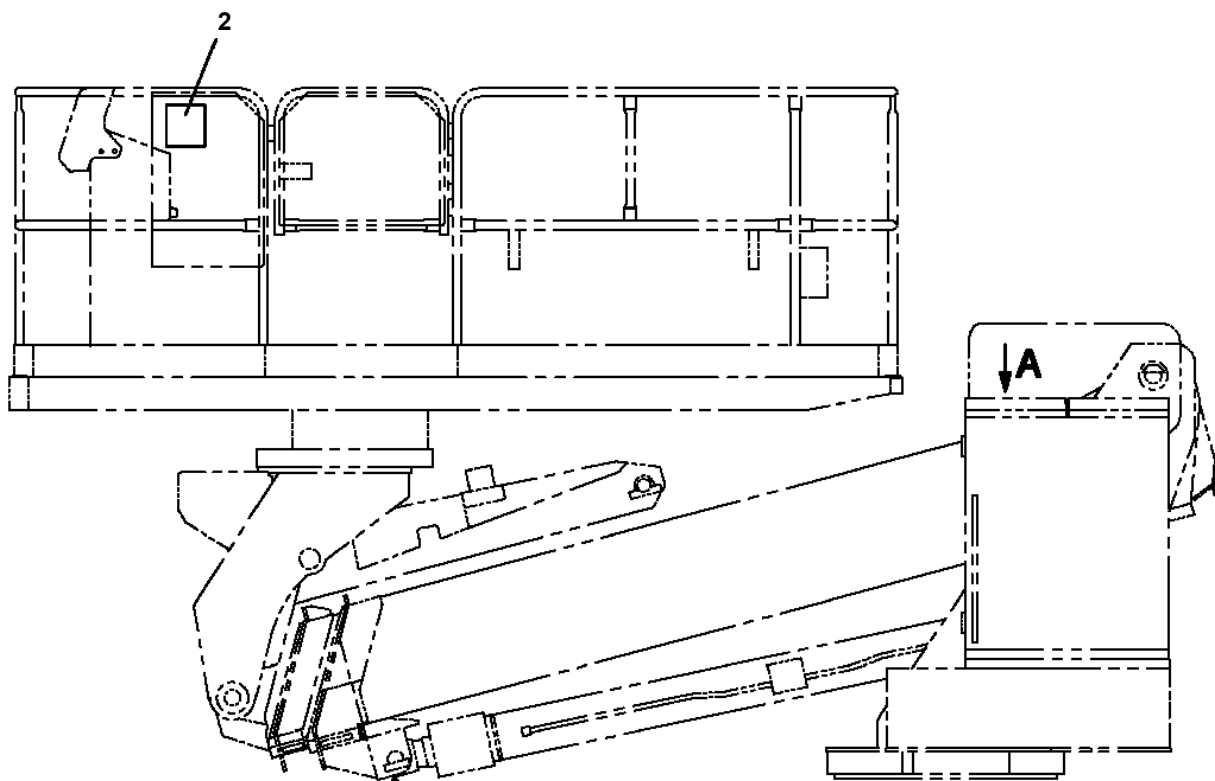


AT-100S-2 42080240654 UPPER,LOWER,ISUZU
PN1070023-07 ELECTRICAL PARTS, BOOM

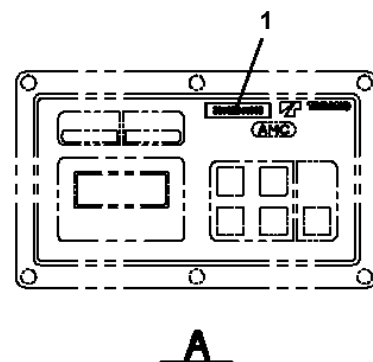
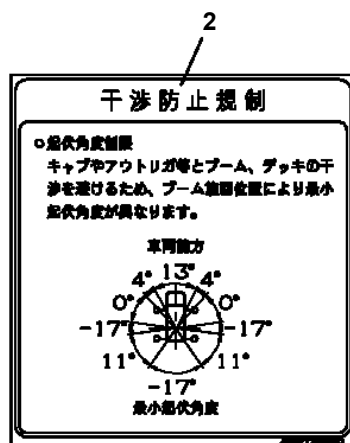


A

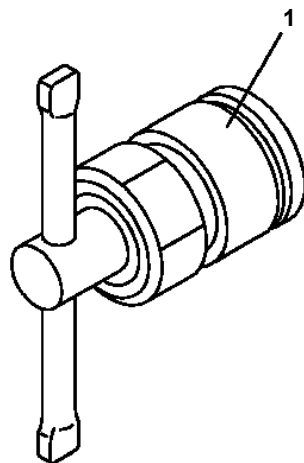
AT-100S-2 42080240654 UPPER,LOWER,ISUZU
 PN5011544-00 NAME PLATE ASSY (AMC)



1
 36192844000



AT-100S-2 42080240654 UPPER,LOWER,ISUZU
PP5550001-00 PRESSURE DEJECTA (MAIL,3/8)



圧抜き工具 3/8オス用

AT-100S-2 42080240654 UPPER,LOWER,ISUZU

Pos No.	Parts No	Parts Name	Qty	Unit	Technical Data	Serial No (Start)	Serial No (End)	R
93	37000925740	JOINT	4		S G1/2-G1/2			
94	91002801800	O-RING	13		1B P18			
95	37000925660	JOINT	1		S,G3/4-G1/2			
96	80430620800	JOINT	1					
98	80400160132	JOINT	1					
99	91002802400	O-RING	2		1B P24			
102	37000925870	JOINT	4		PF1/2-PF3/8			
103	80303130161	FITTING,ELBOW	4		KLO12-030E			
121	42345680110	JOINT	1					
122	36645900000	VALVE,SOLENOID	1					
123	36649300000	VALVE,SOLENOID	1					
124	80430620600	JOINT (WITH O-RING)	3		L,G3/8-G3/8			
125	80303130141	FITTING,ELBOW	1		KLO12-020E			
126	80491303030	JOINT (WITH O-RING)	2		L,PF3/8-PF3/8			
128	90172105045	BOLT,HEXAGON SOCKET	4		M5X45			
141	42345680410	JOINT	1					
142	80400160129	JOINT	1					
143	91002801400	O-RING	12		1B P14			
145	80316070060	PLUG	1		PF3/8			
146	80430620400	JOINT	2					
161	91002801100	O-RING	8		1B P11			
171	36607210000	VALVE ASSY,RELIEF	1					
173	31474594210	JOINT	1		3-G1/4			
174	80302090141	FITTING	2		KCO12-020N			
176	36672630000	FILTER (WITH O-RING)	1					

AT-100S-2 42080240654 UPPER,LOWER,ISUZU

Pos No.	Parts No	Parts Name	Qty	Unit	Technical Data	Serial No (Start)	Serial No (End)	Remarks
2	82199514013	CAP	1					
100	42355071700	SWITCH ASSY (1-SWITCH)	1					

AT-100S-2 42080240654 UPPER,LOWER,ISUZU

Pos No.	Parts No	Parts Name	Qty	Unit	Technical Data	Serial No (Start)	Serial No (End)	Remarks
1	90101208016	BOLT	2		M8X16			
2	90302040801	WASHER,SPRING	2		8			
3	36630910062	NEEDLE	1					
4	36630910031	HOLDER	1					
5	91002801000	O-RING	1		1B P10			
6	91410001000	RING,BACKUP	1		P10			
7	36636340010	BODY	1					
8	52255101000	SPRING	1					
9	36630910050	POPPET	1					
10	91002801400	O-RING	1		1B P14			
11	36620030050	PLUG	1					
12	82400000350	KNOB	1					
13	37000508510	PLATE	1					
14	80172303006	SCREW,MACHINE	1		M3X6			
15	91002800800	O-RING	1		1B P8			
100	36636340001	VALVE ASSY,SELECTOR	1					

AT-100S-2 42080240654 UPPER,LOWER,ISUZU

Pos No.	Parts No	Parts Name	Qty	Unit	Technical Data	Serial No (Start)	Serial No (End)	Rem
1	42460015010	BAG,TOOL	1					
2	91991510003	HEXAGON BARWRENCH (G3)	1					
3	91991510004	HEXAGON BARWRENCH (G4)	1					
4	91991510005	HEXAGON BARWRENCH (G5)	1					
5	91991510006	HEXAGON BARWRENCH (G6)	1					
6	91991510008	HEXAGON BARWRENCH (G8)	1					
7	91991510010	HEXAGON BARWRENCH (G10)	1					
8	91991441311	SPANNER	1		13X11			
50	42473931000	TOOLS	1					

AT-100S-2 42080240654 UPPER,LOWER,ISUZU

Pos No.	Parts No	Parts Name	Qty	Unit	Technical Data	Serial No (Start)	Serial No (End)	Remarks	Pages
1	42775131000	GUARD,SIDE	1						
2	42775132000	GUARD,SIDE	1						
3	42775133000	GUARD,SIDE	1						
4	42775134000	GUARD,SIDE	1						
5	90101210025	BOLT	16		M10X25				
6	90201201000	NUT	16		M10				
7	90302511001	WASHER,SPRING	12		10				
8	90101210040	BOLT	4		M10X40				
9	90302041001	WASHER,SPRING	8		10				
10	90303071001	WASHER,PLAIN	8		10				

AT-100S-2 42080240654 UPPER,LOWER,ISUZU

Pos No.	Parts No	Parts Name	Qty	Unit	Technical Data	Serial No (Start)	Serial No (End)	Remarks	Pages
1	(*****)	FENDER	1						000127
2	(*****)	SIDE GUARD	1						000130

AT-100S-2 42080240654 UPPER,LOWER,ISUZU

Pos No.	Parts No	Parts Name	Qty	Unit	Technical Data	Serial No (Start)	Serial No (End)	Re
2	80400160128	JOINT	3		S,G3/8-G1/4			
3	91002801400	O-RING	3		1B P14			
4	80456110610	JOINT,SELF SEALING (SOCKET)	2					
5	80456120610	JOINT,SELF SEALING (PLUG)	1					
6	91810130230	FASTENER	3					
7	37002451700	HOSE	3		L=3110			
8	80430450450	JOINT	2		YL502			
9	80305080020	JOINT	1					
10	80430410450	JOINT	1					
31	91071011500	O-RING	2		Y22550-115-A			
32	91470000600	RING,BACKUP	2		Y22021-06			

AT-100S-2 42080240654 UPPER,LOWER,ISUZU

Pos No.	Parts No	Parts Name	Qty	Unit	Technical Data	Serial No (Start)	Serial No (End)
7	36197635020	COVER	1				
10	36197635030	PANEL	2				
31	36200155010	BOARD ASSY (WITH DATA)	1				
100	36200150000	AUTOMATIC MOTION CONTROLLER	1				

AT-100S-2 42080240654 UPPER,LOWER,ISUZU

Pos No.	Parts No	Parts Name	Qty	Unit	Technical Data	Serial No (Start)	Serial No (End)
1	42358760100	HARNESS (SWING TABLE,MAIN)	1				
2	42354541200	SWITCH ASSY (WITH HARNESS,1 SW)	1				
3	34354781710	RELAY (WITH BRACKET)	2				
4	80197586012	SCREW,MACHINE	4		M6X12		
5	36171980000	CONTROLLER (ASSY ONLY)	1				
6	80192484016	SCREW,MACHINE	16		M4X16		
7	91810132530	FASTENER	25				
8	91850400601	CLAMP	3				
9	82100002007	CLAMP	1		WRC10		
10	90280200800	NUT,FLANGE	2		M8		
11	42354593000	SWITCH PANEL	1				
12	90280200600	NUT,FLANGE	3		M6		
13	82467300116	PLUG	1				
14	82100002010	CLAMP	3		WR15		
15	90101208016	BOLT	2		M8X16		
16	90302040801	WASHER,SPRING	2		8		
17	42358760200	SUPPORT	1				
18	36172820000	CONTROLLER (ICF,ASSY ONLY)	1				
19	90302040601	WASHER,SPRING	9		6		
20	90303070601	WASHER,PLAIN	9		6		
21	36140510000	DETECTOR ASSY,ANGLE	1				
22	90101206016	BOLT	2		M6X16		
23	42433330020	PLUG (2 POLES,FEMALE)	1				
24	90101206025	BOLT	7		M6X25		

**AT-100S-2 42080240654 UPPER,LOWER,ISUZU
PZ0000000-00 HARNESS**

販売部品 検討中につき、イラストはありません。

**Parts for sale : Under consideration now.
Therefore not illustrated.**

CLICK HERE TO **DOWNLOAD** THE COMPLETE MANUAL

- Thank you very much for reading the preview of the manual.
- You can download the complete manual from: www.heydownloads.com by clicking the link below



- Please note: If there is no response to CLICKING the link, please download this PDF first and then click on it.

CLICK HERE TO **DOWNLOAD** THE COMPLETE MANUAL