

AT-100-4 42063442801 UPPER/LOWER,ISUZU SKG-NKR85AN-EE5AHY

PB0000275-02 UPPER STRUCTURE SYSTEM

PB0000500-02 LOWER STRUCTURE SYSTEM

ASSEMBLY

CLICK HERE TO **DOWNLOAD** THE COMPLETE MANUAL

- Thank you very much for reading the preview of the manual.
- You can download the complete manual from: www.heydownloads.com by clicking the link below



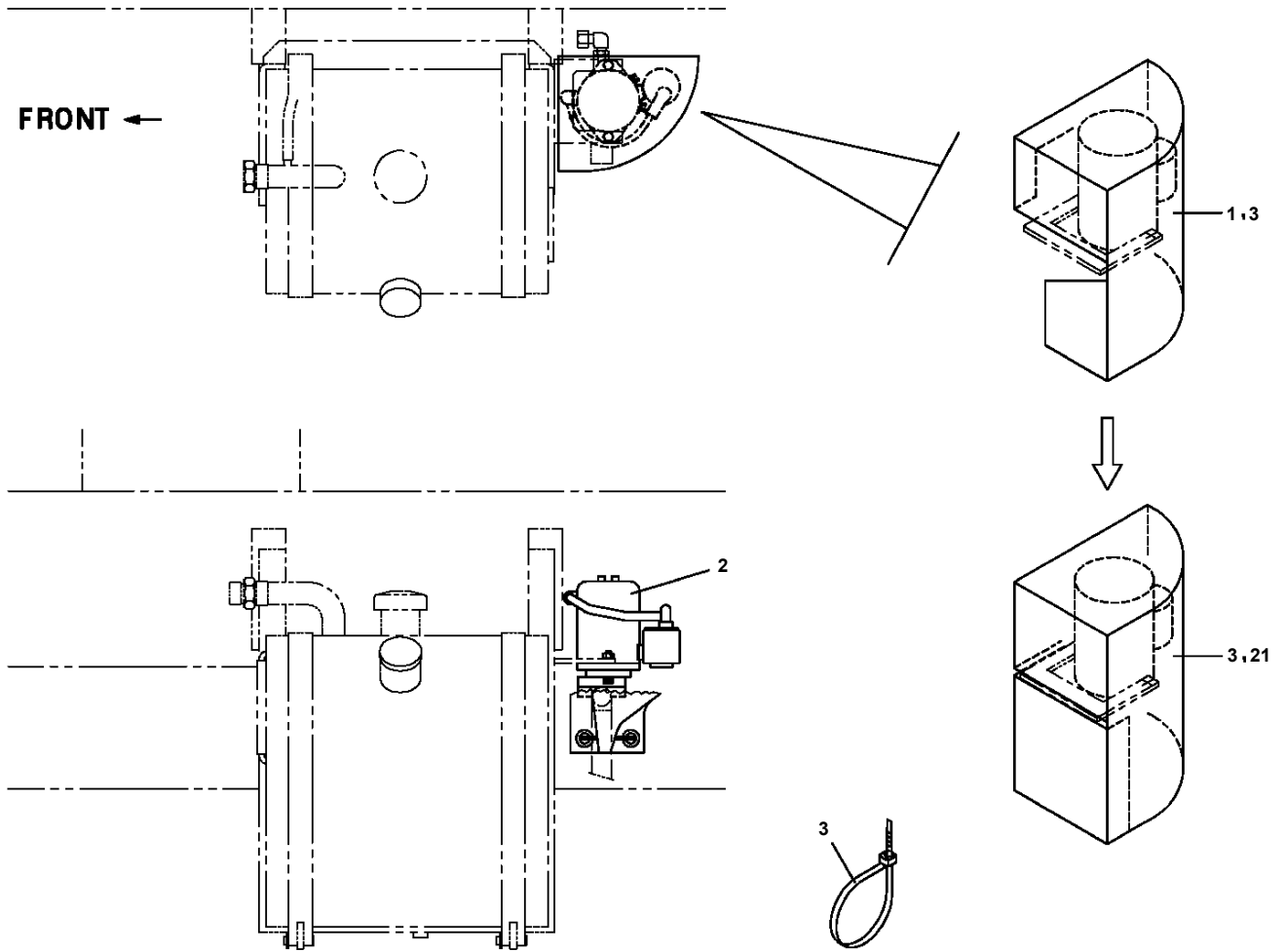
- Please note: If there is no response to CLICKING the link, please download this PDF first and then click on it.

CLICK HERE TO **DOWNLOAD** THE COMPLETE MANUAL

AT-100-4 42063442801 UPPER/LOWER,ISUZU SKG-NKR85AN-EE5AHY

PS5420509-00 SUPPORT ASSY (DANKITI BUFFER,30MM)
PS5530084-02 SWITCH ASSY
PS5530087-00 SWITCH ASSY (SUB BATTERY CHARGER)
PS5530090-01 SWITCH ASSY (WITH HARNESS,3 SW)
PS5530176-00 SWITCH ASSY
PS5530411-00 SWITCH ASSY
PS5530412-00 SWITCH ASSY
PS5530450-00 SWITCH ASSY
PS5550005-00 SUPPORT (7 DEGREES ANGLE METER MOUNTING)
PV1020305-02 VALVE,REMOTE CONTROL
PV1300019-00 CABLE
PV1300020-00 CABLE (3 POLE)
PV5010005-00 VALVE ASSY (JACK CONTROL)
PV5070007-00 VALVE ASSY,COUNTERBALANCE
PV5140017-00 VALVE ASSY,RELIEF
PV5240005-01 VALVE ASSY,SOLENOID
PW1000118-00 ACCESSORIES & TOOLS
PW1010251-00 ACCESSORIES (MAT/FOR SI BUCKET)
PW1010433-00 ACCESSORIES
PW1030049-01 TOOLS
PW1050018-01 WEDGE (STOPPER FOR TIRE/JUSTIN)
PW5110002-00 WEDGE (STOPPER FOR TIRE/WAZUMI)
PW5110003-00 WEDGE (STOPPER FOR TIRE/NAKAMURA KIKI)
PW5110005-00 WEDGE (YELLOW)
PX1100281-01 TANK SUPPORT
PX1120591-01 BOOM REST
PX1120596-01 BOOM REST
PX1210153-01 GUARD
PX1260232-00 STEP
PX1260280-00 STEP (FRONT RIGHT)
PX1270056-00 WOOD BLOCK (OPTION)
PX1270135-00 WOOD BLOCK
PX1270149-00 WOOD BLOCK
PX1270159-01 WOOD BLOCK
PX1310311-02 MOUNT,LAMP (TAIL)
PX1350803-00 BOX,TOOL (NEO KANSAI/BUCKET)
PX1351035-01 BOX,TOOL (LEFT & RIGHT,SINGLE-DECKER/2007)
PX1351064-02 BOX,TOOL (LEFT & RIGHT,2-DECK/2007)
PX1351067-02 BOX,TOOL (LEFT DOUBLE,RIGHT SINGLE/2007)
PX1351068-01 BOX,TOOL (LEFT SLIDE,RIGHT SINGLE/2007)
PX1351070-02 BOX,TOOL (LEFT SLIDE,RIGHT 2-DECKER/2007)
PX1351160-00 BOX,TOOL
PX1351161-00 BOX,TOOL
PX1351162-00 BOX,TOOL
PX1351163-00 BOX,TOOL
PX1351164-00 BOX,TOOL
PX1351174-00 BOX,TOOL (LEFT & RIGHT,SLIDE/2007)
PX1351175-01 BOX,TOOL
PX1351187-00 BOX,TOOL (DRAWER FOR LEFT TOOL BOX:2007,2010)
PX1351188-00 BOX,TOOL
PX1351247-00 BOX,TOOL (BUCKET)
PX1360072-00 REFLECTOR (SWING ALIGNMENT MARK)
PX1410173-02 MOUNT,TIRE
PX1830013-00 COUPLING
PX1940361-00 MOUNT
PX1940379-00 MOUNT (CHAIN FOR TRUCK BED)
PX1940382-00 MOUNT
PX2001446-00 CARRIER UNIT
PX3000589-00 MOUNTING UNIT
PX5010130-00 MOUNT ASSY
PX5360048-01 MOUNT ASSY,FRAME
PX5780002-00 MOUNT ASSY,TOOL BOX (LEFT & RIGHT,1-DECK,W/LOCK)
PX5780003-00 MOUNT ASSY,TOOL BOX (LEFT&RIGHT,2-DECK,W/LOCK)
PX5780017-01 MOUNT ASSY,TOOL BOX

**AT-100-4 42063442801 UPPER/LOWER, ISUZU SKG-NKR85AN-EE5AHY
PB1110058-01 MOUNT, PUMP (EMERGENCY)**



AT-100-4 42063442801 UPPER/LOWER,ISUZU SKG-NKR85AN-EE5AHY

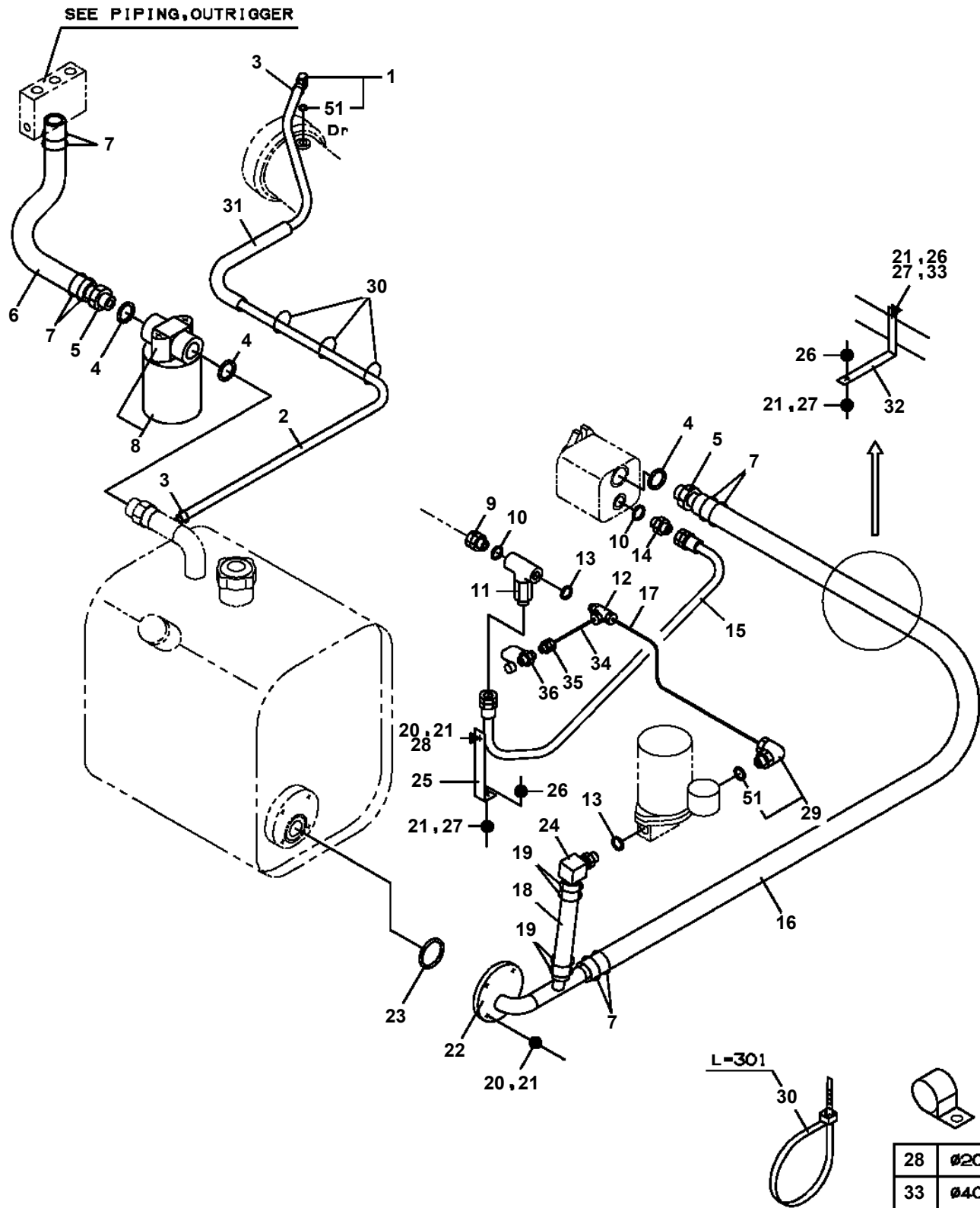
Pos No.	Parts No	Parts Name	Qty	Unit	Technical Data	Serial No (Start)	Serial No (End)	Remarks	Pages
1	82119422100	CONNECTOR	1						
2	42501161010	HARNESS	1						
3	80175304016	SCREW,MACHINE	2		M4X16				000156
4	91810130240	FASTENER	N						
5	42477640080	PLATE,NAME	1						

AT-100-4 42063442801 UPPER/LOWER,ISUZU SKG-NKR85AN-EE5AHY

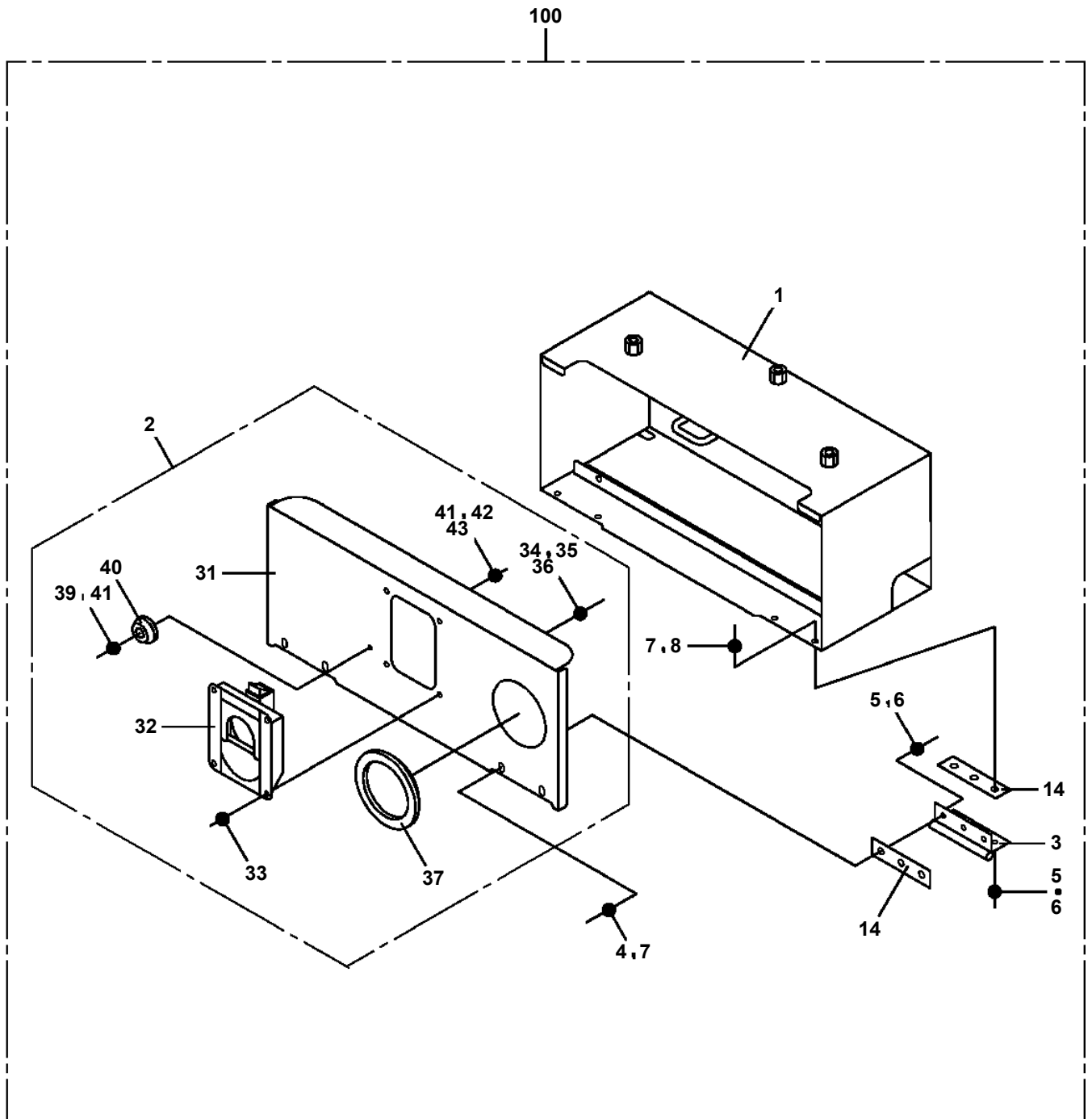
Pos No.	Parts No	Parts Name	Qty	Unit	Technical Data	Serial No (Start)	Serial No (End)	Re
2	90101208016	BOLT	4		M8X16			
3	90302040801	WASHER,SPRING	6		8			
4	81408000210	PIPE,STEEL	1	M	15X2.0T			
5	80303130181	FITTING,ELBOW	1		KLO15-030E			
6	81408000210	PIPE,STEEL	1	M	15X2.0T			
7	80303010120	FITTING,ELBOW	1		KLA15-000N			
8	37002413340	HOSE	1		L=970			
9	81408000210	PIPE,STEEL	1	M	15X2.0T			
10	42970343400	SUPPORT	1					
11	82100001413	TUBE,SPIRAL	1	M	SE-15BK			
12	80301010100	FITTING	6		KUA12-000N			
13	81408000160	PIPE,STEEL	1	M	12X1.4T			
14	81408000160	PIPE,STEEL	1	M	12X1.4T			
15	80302090201	FITTING	1		KCO15-040N			
16	37000711410	CLAMP ASSY	3		12-4			
17	81408000160	PIPE,STEEL	3	M	12X1.4T			
18	81408000160	PIPE,STEEL	3	M	12X1.4T			
19	81408000160	PIPE,STEEL	1	M	12X1.4T			
20	81408000160	PIPE,STEEL	1	M	12X1.4T			
21	80456010610	JOINT,SELF SEALING	1					
22	80456020610	JOINT,SELF SEALING	1					
23	91002801800	O-RING	1		1B P18			
24	90101208012	BOLT	2		M8X12			
25	42502314050	COVER	1					
26	81408000160	PIPE,STEEL	1	M	12X1.4T			
27	81408000160	PIPE,STEEL	1	M	12X1.4T			
51	42970341200	SWITCH ASSY (WITH HARNESS)	1					
52	42737751010	PLATE,NAME	1					
53	42970341100	HARNESS	1		L=300			
54	91810130240	FASTENER	4					
71	42739321100	SUPPORT	1					
91	36742160000	VALVE ASSY,SOLENOID	1			219954		
92	36605110000	VALVE,RELIEF	1					
93	42970343110	JOINT	1					
94	91002801400	O-RING	8		1B P14			
95	37000925030	JOINT	1		PF3/8-PF3/8			
96	80471020503	JOINT	1		45,G3/8-G3/8			
97	80302090181	FITTING	1		KCO15-030N			
99	80302090161	FITTING	2		KCO12-030N			
100	42344290500	JOINT	1					
101	80303130181	FITTING,ELBOW	1		KLO15-030E			
102	90172105085	BOLT,HEXAGON SOCKET	4		M5X85			
111	91071011500	O-RING	1		Y22550-115-A			
121	42340017550	CAP (DUST)	1					
131	36645350000	VALVE,SOLENOID	1				219953	
132	82114101020	CONNECTOR (2P,MALE)	1				219953	
133	82111101010	TERMINAL	2				219953	
134	82121101085	PLUG (AVS0.85)	2				219953	
135	82121102020	HOLDER	1				219953	
151	42643051000	SWITCH ASSY (THERMO)	1					

AT-100-4 42063442801 UPPER/LOWER, ISUZU SKG-NKR85AN-EE5AHY
 PB1411939-01 PIPING, LOWER

FRONT



AT-100-4 42063442801 UPPER/LOWER,ISUZU SKG-NKR85AN-EE5AHY
PB5260023-00 BOX ASSY



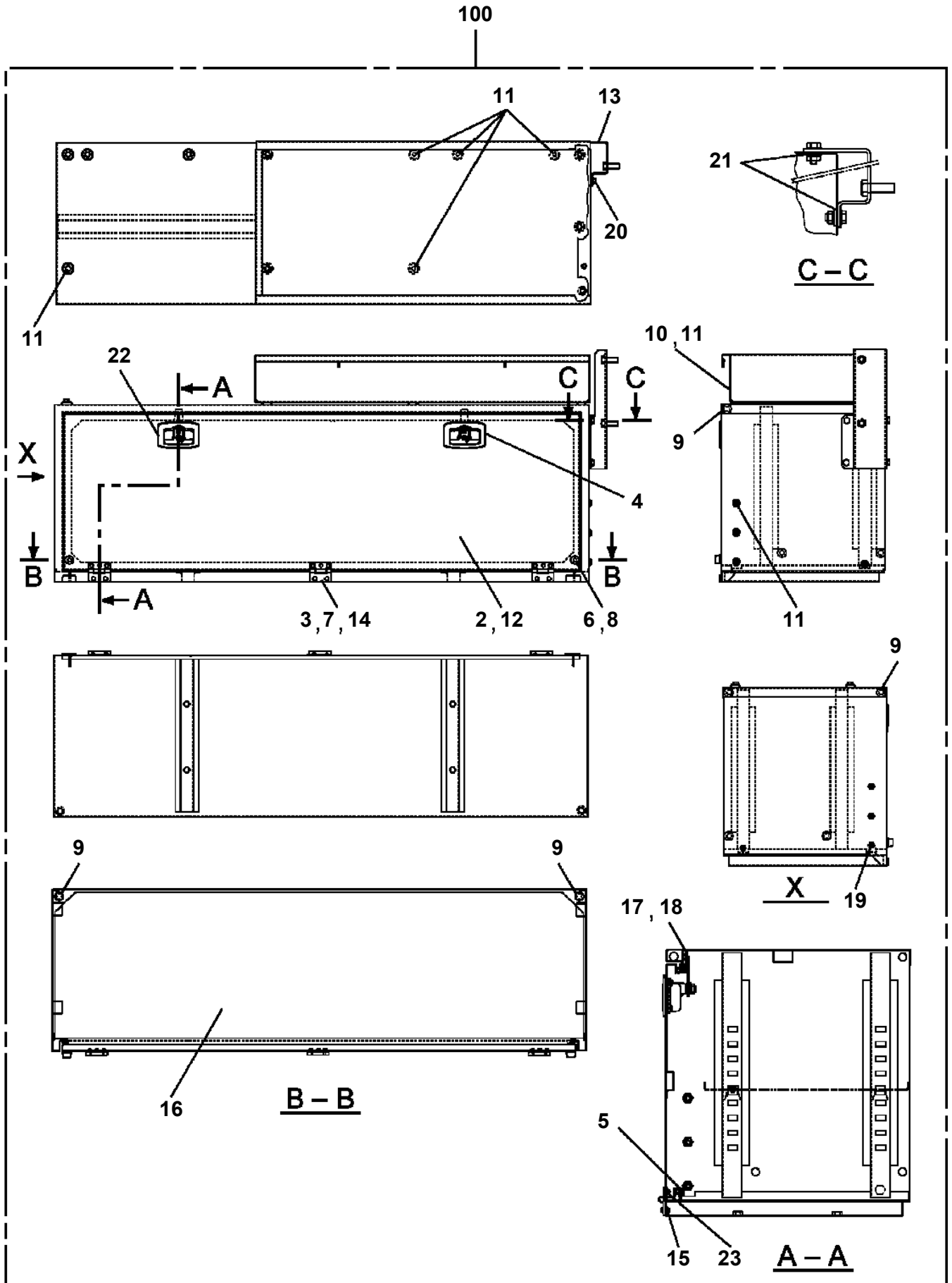
**AT-100-4 42063442801 UPPER/LOWER,ISUZU SKG-NKR85AN-EE5AHY
PB5350002-00 BUCKET ASSY (WHITE/1-MAN STRAIGHT BUCKET)**

指示番号 KEY NO.	ハケツトASSY (シロ/ヒトリノリストレートハケツト) BUCKET ASSY (WHITE/1-MAN STRAIGHT BUCKET)
1	ハケツト (SI, ホワイト/インナツキ) BUCKET (SI, WHITE/WITH INNER)
2	アクセサリ (マット/SIハケツトヨウ) ACCESSORIES (MAT/FOR SI BUCKET)
3	ネームプレートASSY (ノンスリッパ/ブームウワメン) NAME PLATE ASSY (NON-SLIP/BOOM UPPER)

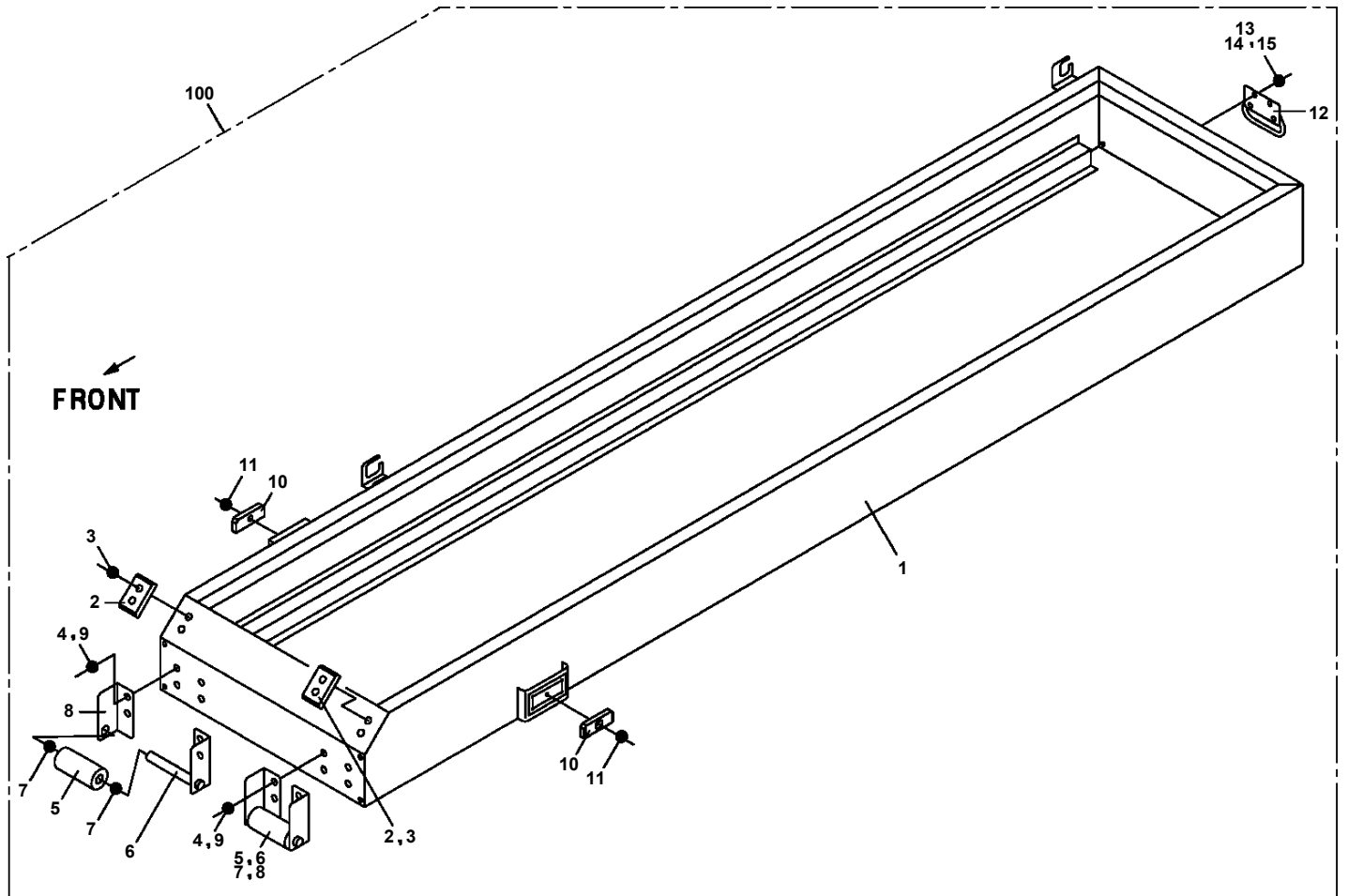
AT-100-4 42063442801 UPPER/LOWER,ISUZU SKG-NKR85AN-EE5AHY

Pos No.	Parts No	Parts Name	Qty	Unit	Technical Data	Serial No (Start)	Serial No (End)	Re
2	42835717510	DOOR	1					
3	42835717520	DOOR	1					
4	42835717530	STOPPER	4					
5	42833867750	HINGE	6					
6	42835867870	CATCH	2					
7	42836317950	WEATHER STRIP	4	M				
8	42836317950	WEATHER STRIP	4	M				
9	82400000393	INSULATOR	2					
10	82464046113	GAS SPRING	1					
11	42835717800	PIN	2					
12	42835717560	SUPPORT	1					
13	42835717570	SCREW,MACHINE (WITH SW)	36		M5X16			
14	42835717580	SCREW,MACHINE (WITH W,NUT)	2		M4X16			
15	42833077610	BUSH	14					
16	42835717590	PLATE	12					
17	42835717600	SUPPORT	1					
18	42838127510	BOLT (WITH SW,NUT)	4		M6X16			
19	42835717610	SUPPORT	1					
20	42835717620	GUIDE	1					
21	42835717780	PACKING	1					
22	42835717630	SCREW,MACHINE (WITH W)	2		M6X10			
23	42835797580	PLUG (HOLE)	16					
24	42835717650	SEAT	1					
25	42835717660	SEAT	1					
27	99164408016	BOLT (M8X16,WITH WASHER)	17					
28	42835717670	SUPPORT	1					
29	42835717680	SUPPORT	1					
30	42835717690	BOLT (WITH W)	4		M8X12			
31	42835717700	SEAL ASSY	1					
32	42835717790	BOLT (WITH W,2PIECES)	1		M10X12			
33	42835717750	BOLT (WITH W,SW,NUT)	4		M10X25			
34	42835717760	PLATE	2					
35	42835717770	SPACER	1					
36	99163006014	BOLT,SEMS (M6X14)	2					
37	42838117510	CATCH	2					
100	42838121000	BOX,TOOL	1					

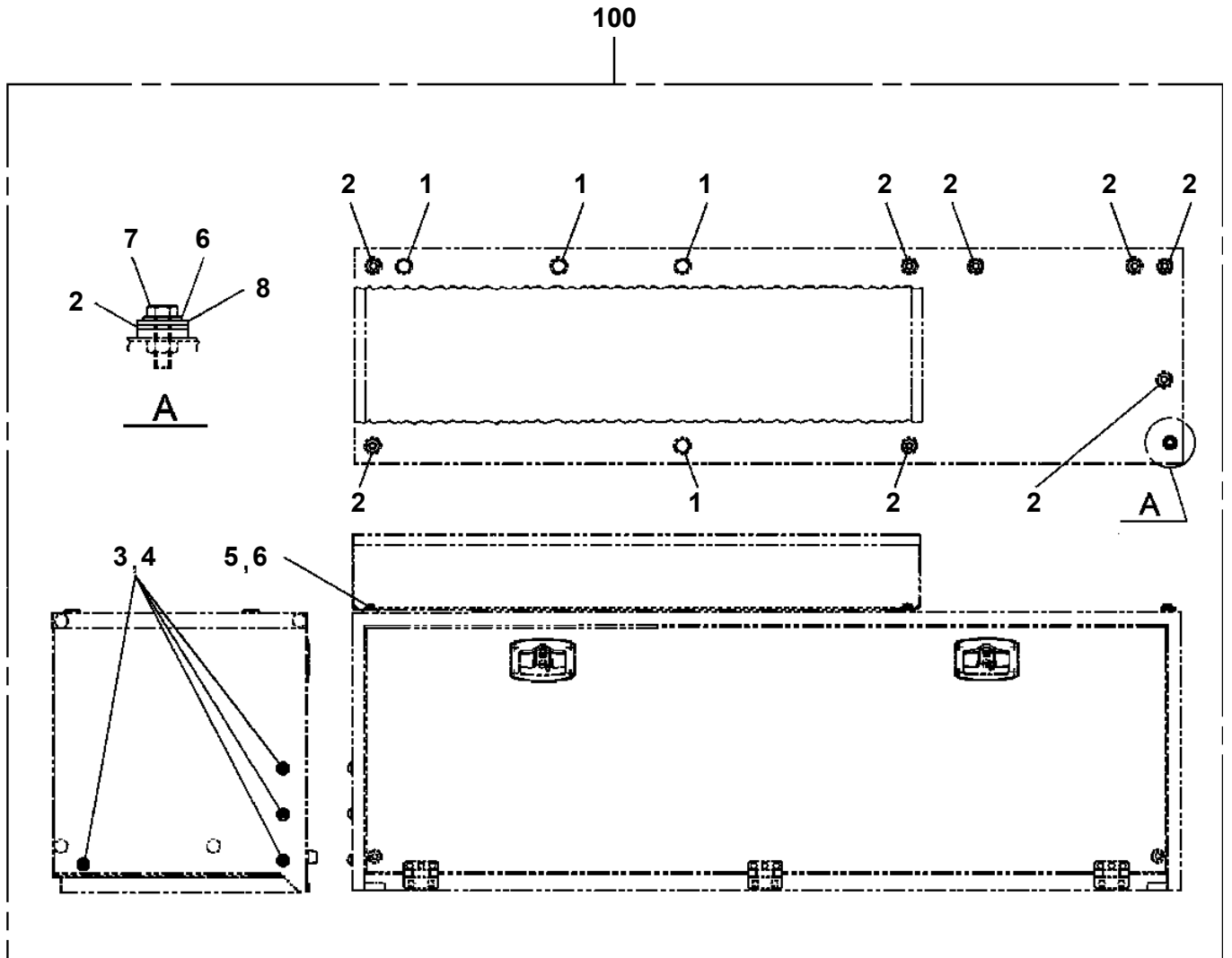
AT-100-4 42063442801 UPPER/LOWER, ISUZU SKG-NKR85AN-EE5AHY
PB5410017-00 BOX, TOOL



AT-100-4 42063442801 UPPER/LOWER,ISUZU SKG-NKR85AN-EE5AHY
PB5410021-00 BOX,TOOL



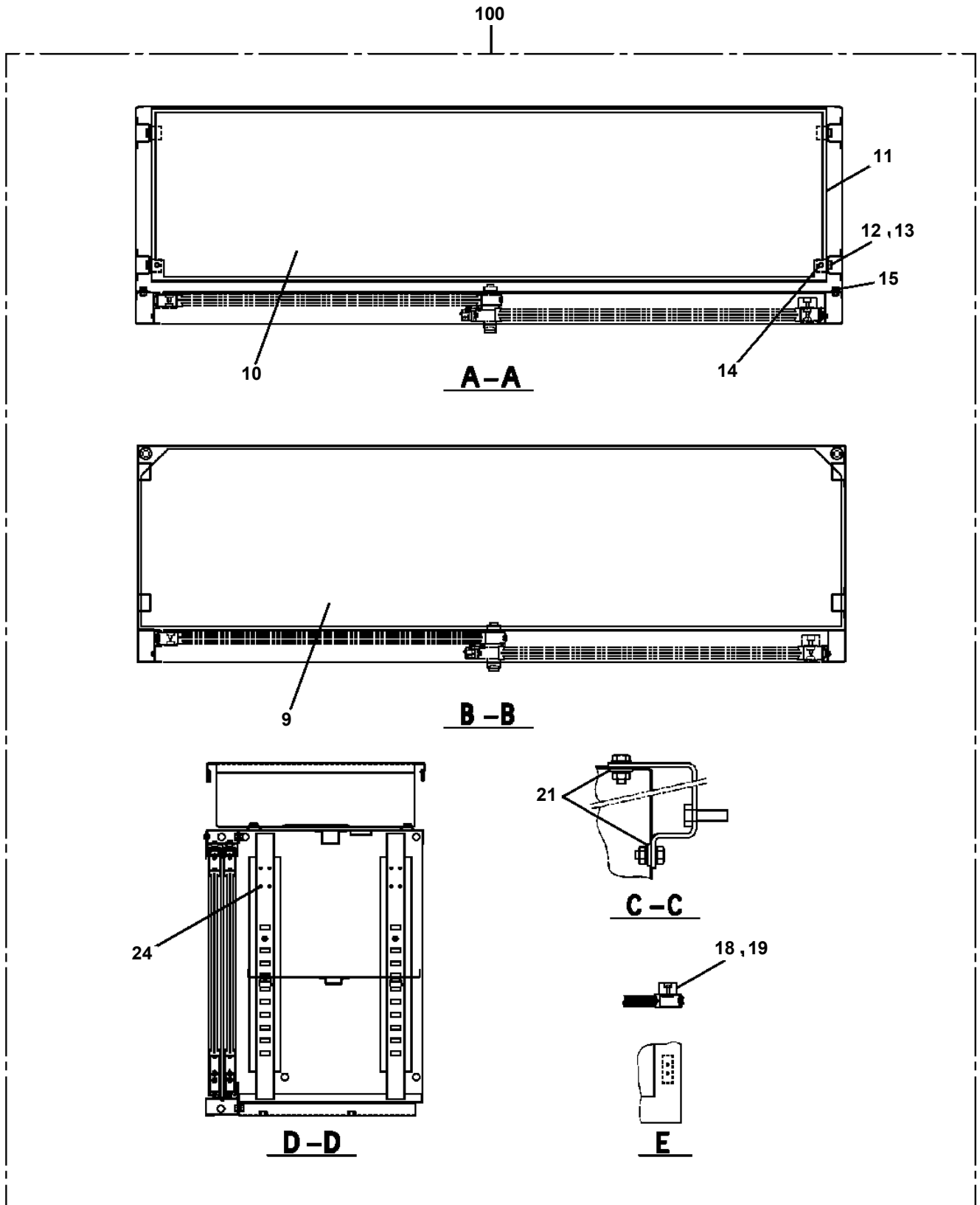
AT-100-4 42063442801 UPPER/LOWER, ISUZU SKG-NKR85AN-EE5AHY
PB5410054-01 BOX, TOOL (PACKING ASSY)



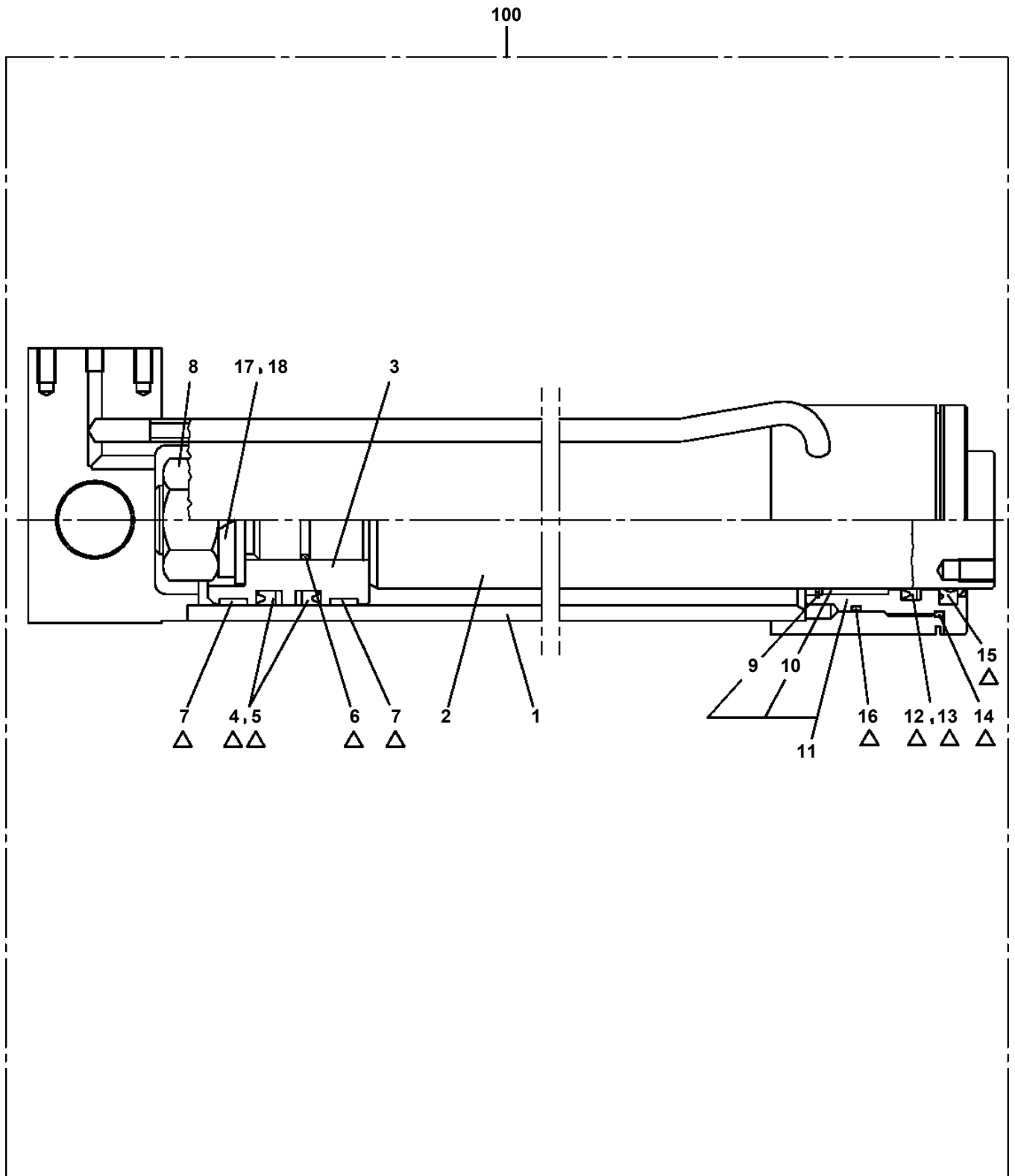
AT-100-4 42063442801 UPPER/LOWER,ISUZU SKG-NKR85AN-EE5AHY

Pos No.	Parts No	Parts Name	Qty	Unit	Technical Data	Serial No (Start)	Serial No (End)	Re
2	42838351200	DOOR	1					
3	42835487650	HINGE	3					
4	42835867870	CATCH	1					
5	42836317950	WEATHER STRIP	4	M				
6	82400000393	INSULATOR	2					
7	42834917570	SCREW,MACHINE (SEMS)	6		M5X14			
8	42835717580	SCREW,MACHINE (WITH W,NUT)	2		M4X16			
9	42833077610	BUSH	10					
10	42838487550	GUIDE	1					
11	42838347520	PACKING ASSY	1					
12	42835797580	PLUG (HOLE)	4					
13	42836057530	SUPPORT	1					
14	80175805012	SCREW,MACHINE	9		M5X12			
15	42836317930	PLATE	3					
16	42836147520	SEAT	1					
17	42836057550	PLATE	2					
18	99163006012	BOLT	4		M6X12			
19	42835717790	BOLT (WITH W,2PIECES)	1		M10X12			
20	42835717750	BOLT (WITH W,SW,NUT)	4		M10X25			
21	42835717760	PLATE	2					
22	42838117510	CATCH	1					
23	42838487540	PLATE	3					
100	42838351001	BOX,TOOL	1					

AT-100-4 42063442801 UPPER/LOWER,ISUZU SKG-NKR85AN-EE5AHY
PB5410063-01 BOX,TOOL

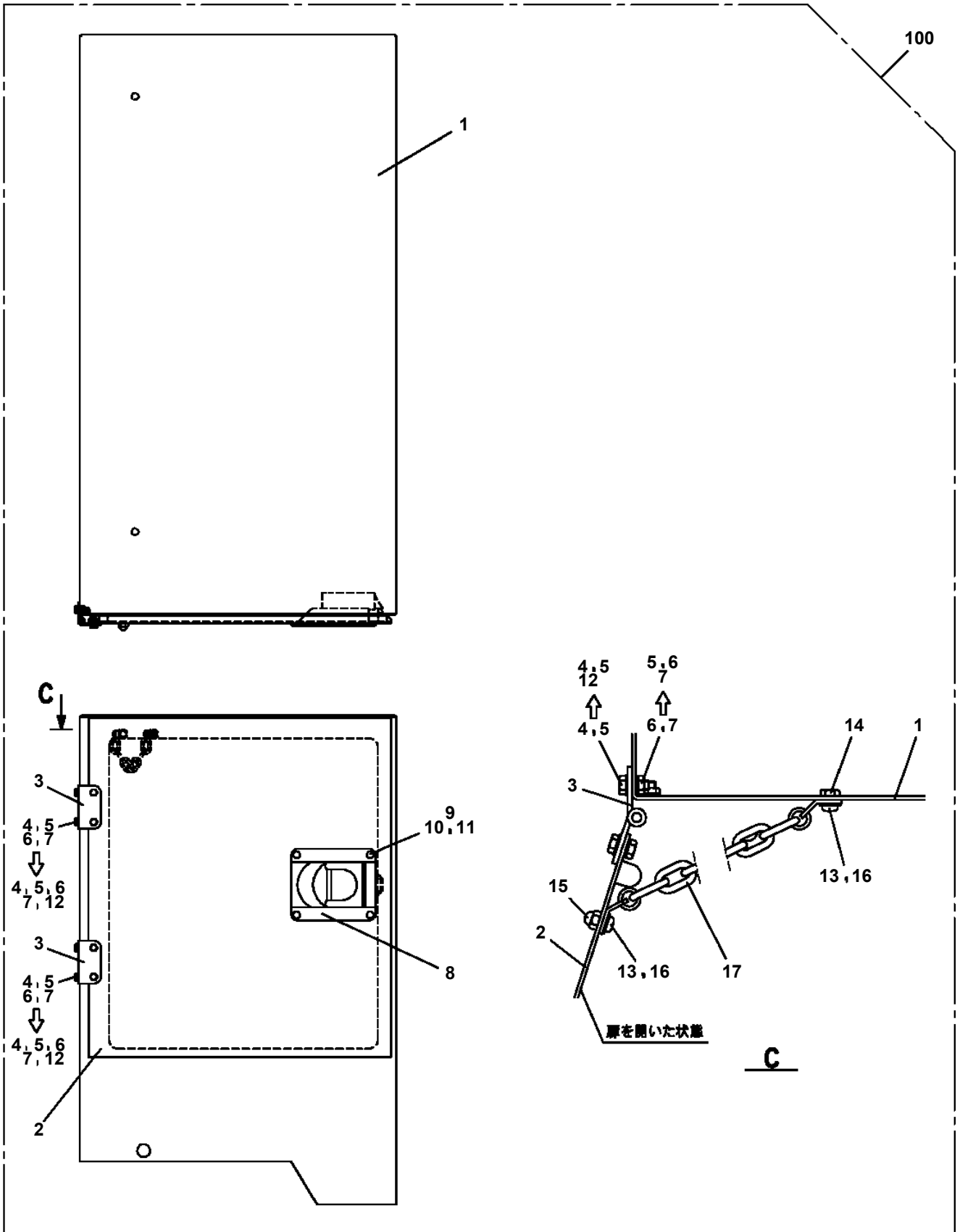


AT-100-4 42063442801 UPPER/LOWER,ISUZU SKG-NKR85AN-EE5AHY
PC1030396-00 CYLINDER,JACK

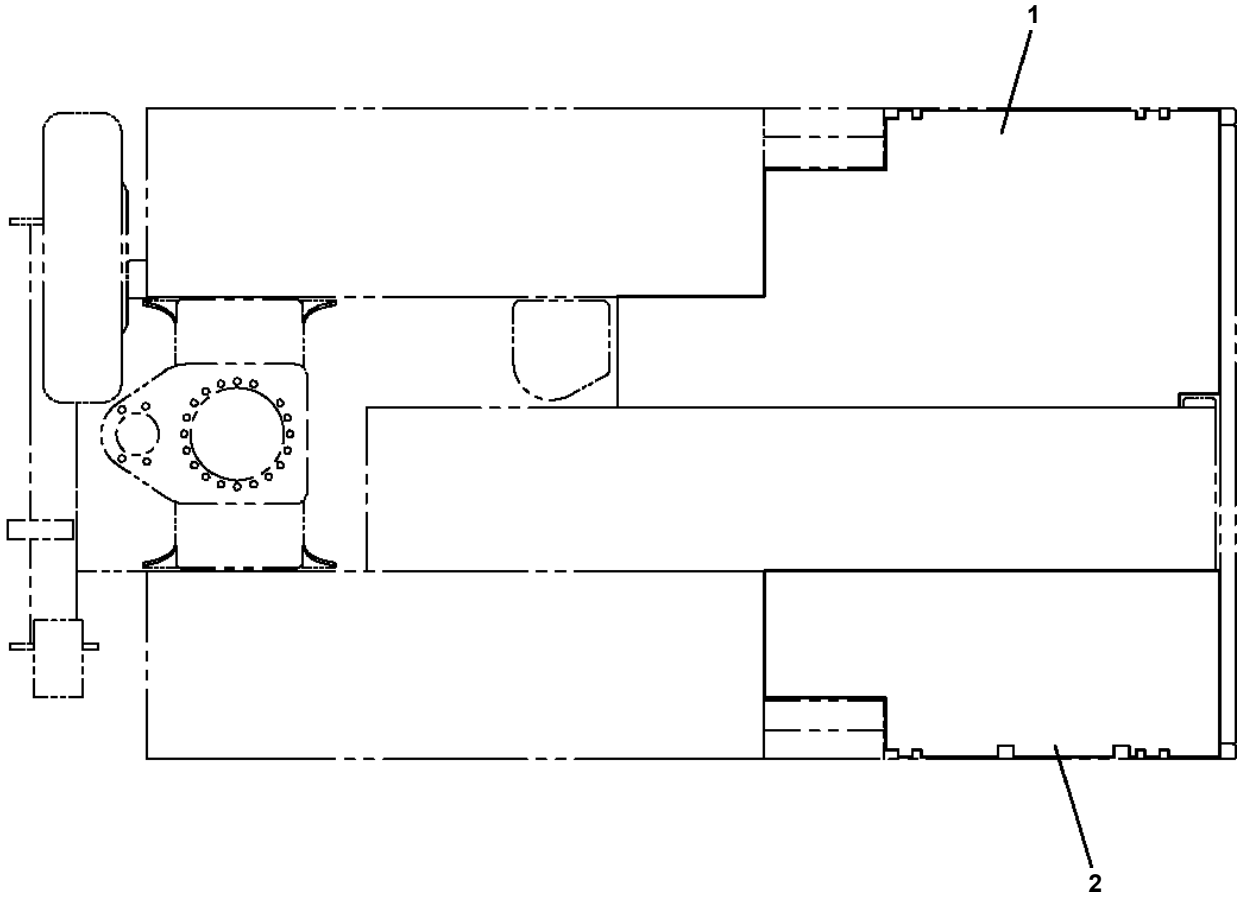


△:PACKING SET KEY NO.41 (KEY NO.4,5,6,7,12,13,14,15,16)

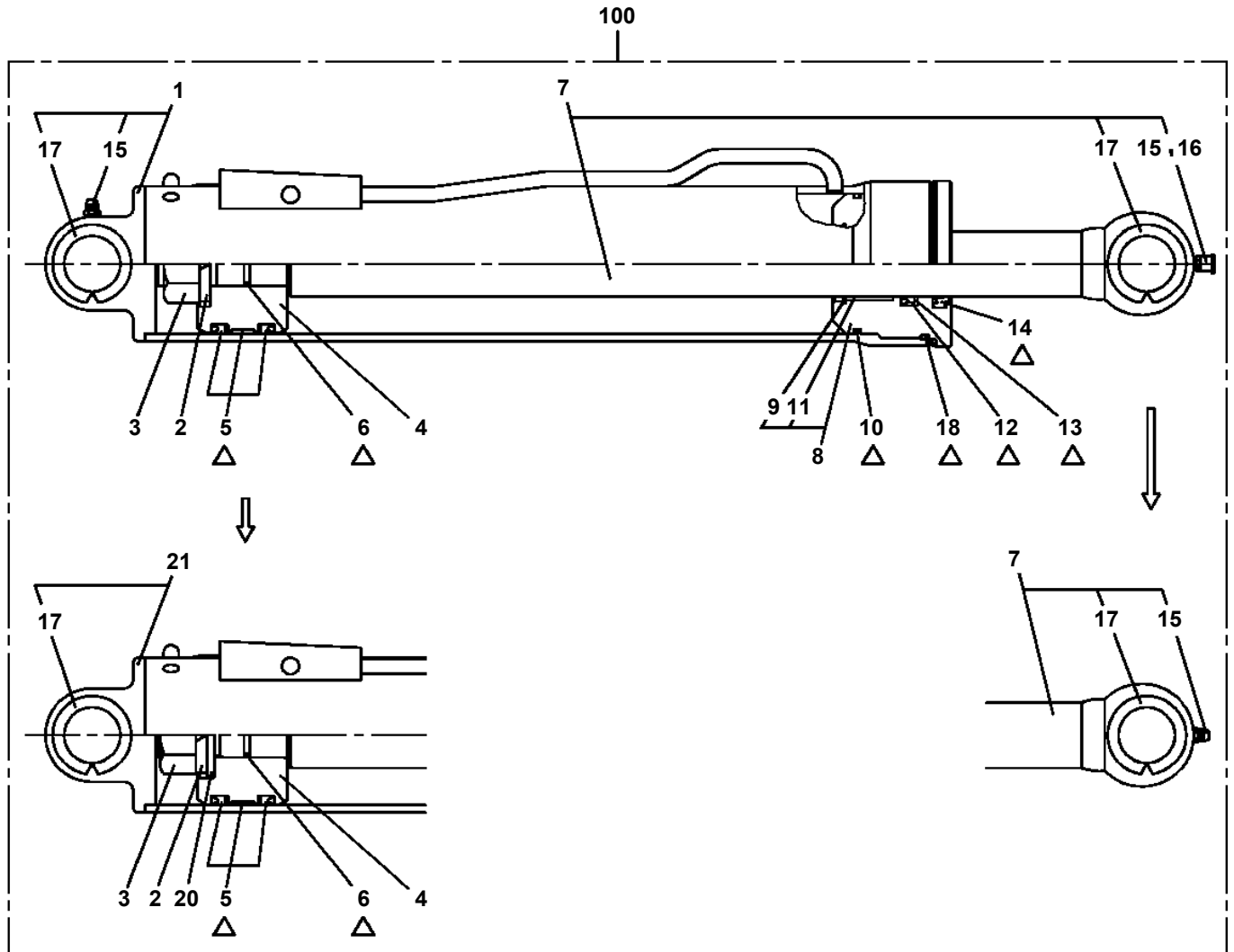
AT-100-4 42063442801 UPPER/LOWER, ISUZU SKG-NKR85AN-EE5AHY
PC5570093-01 COVER ASSY



AT-100-4 42063442801 UPPER/LOWER,ISUZU SKG-NKR85AN-EE5AHY
PC5570192-00 COVER ASSY (VEHICLE BED MAT,LOWER SPEC:42063533000)

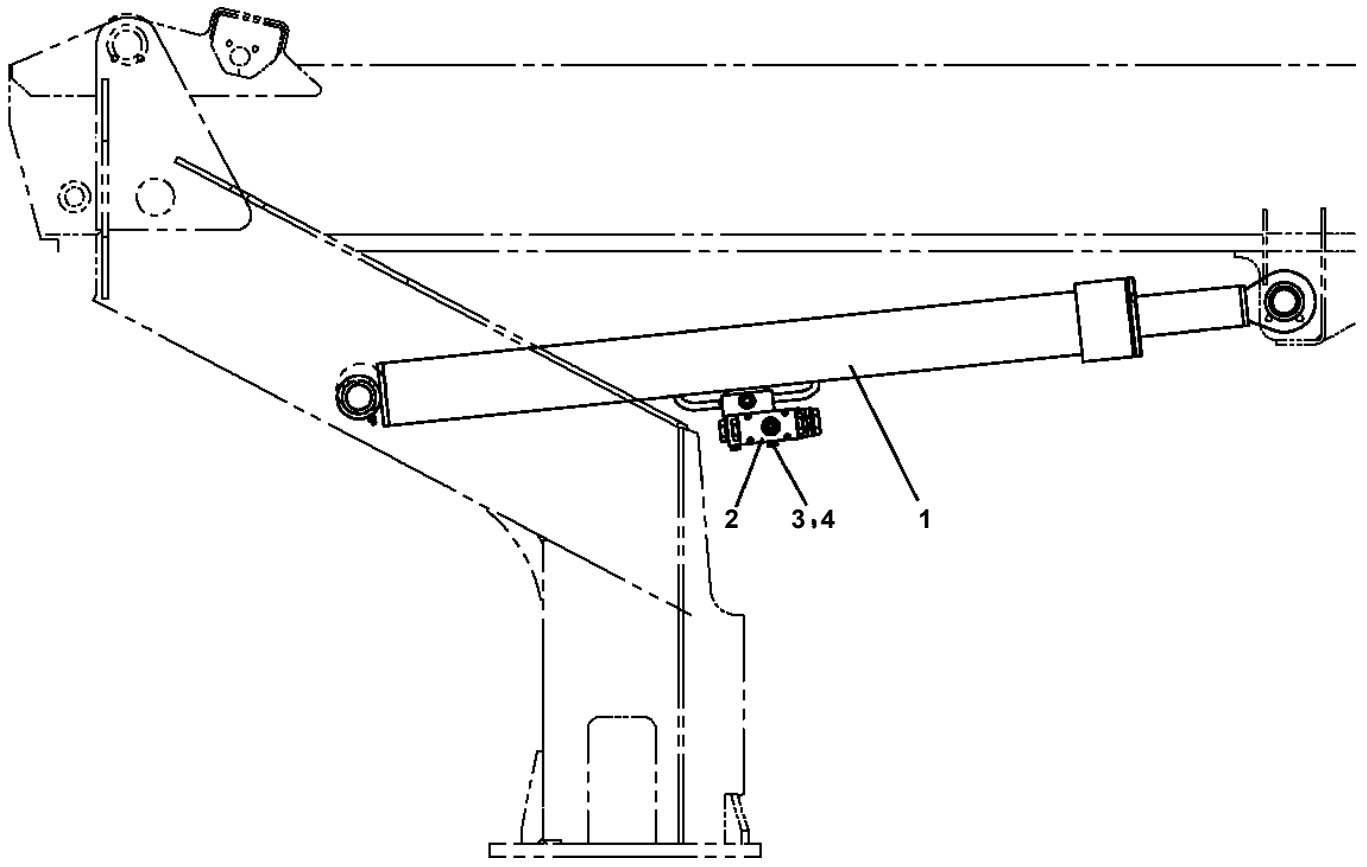


**AT-100-4 42063442801 UPPER/LOWER,ISUZU SKG-NKR85AN-EE5AHY
PC6400012-01 CYLINDER ASSY,LEVELING**

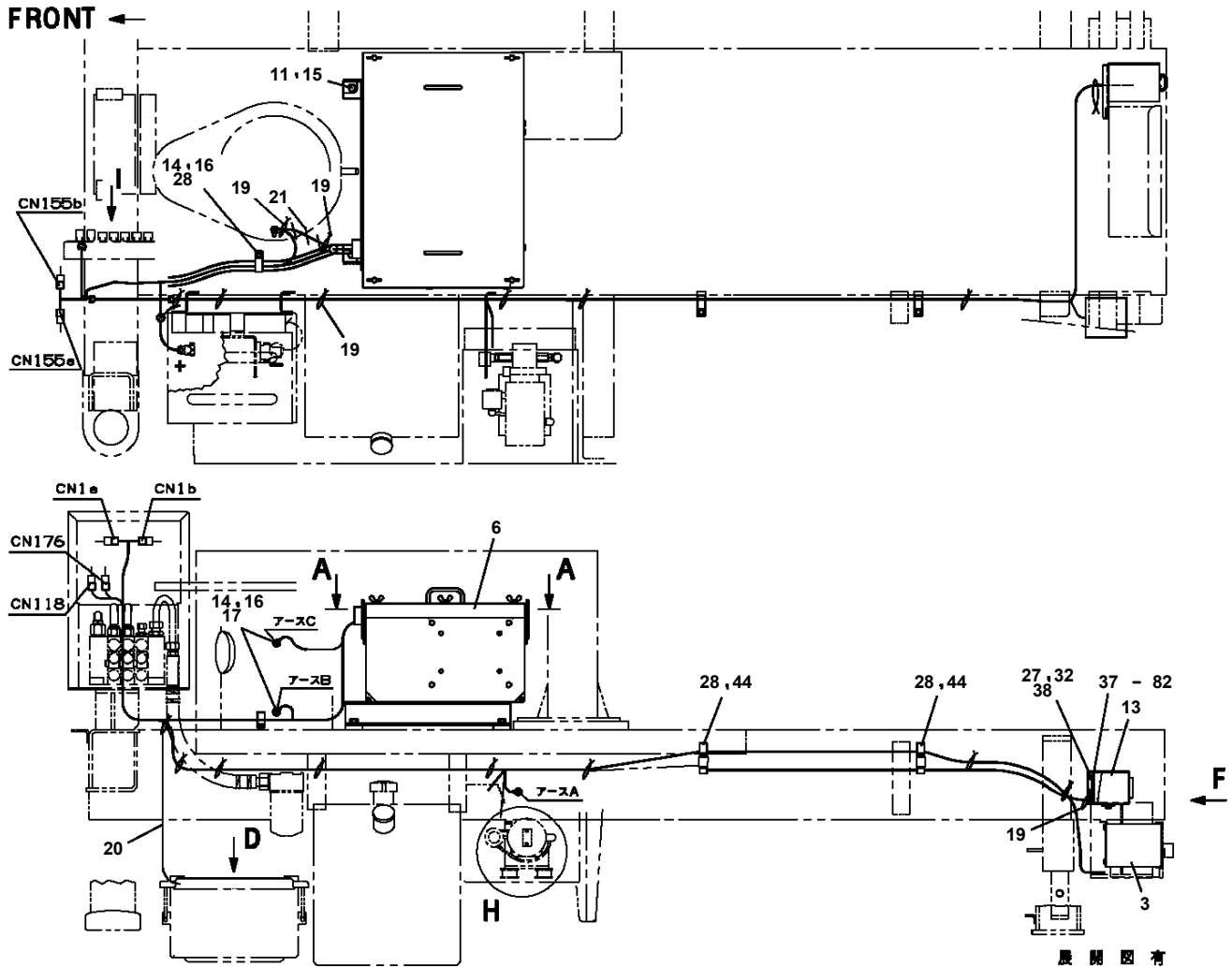


△:PACKING SET KEY NO.41 (KEY NO.5,6,10,12,13,14,18)

AT-100-4 42063442801 UPPER/LOWER,ISUZU SKG-NKR85AN-EE5AHY
PE1010484-00 CYLINDER,ELEVATING

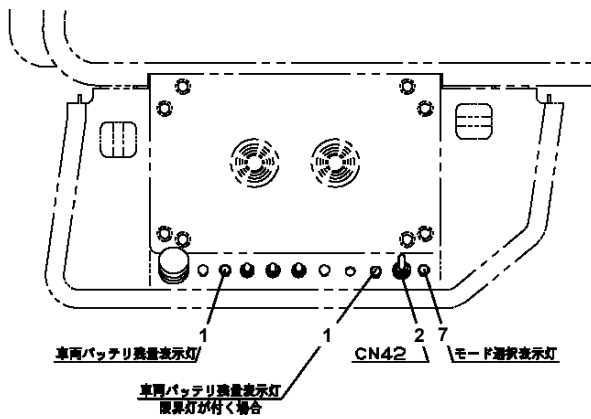


AT-100-4 42063442801 UPPER/LOWER,ISUZU SKG-NKR85AN-EE5AHY
 PE5020212-00 ELEC.ASSY

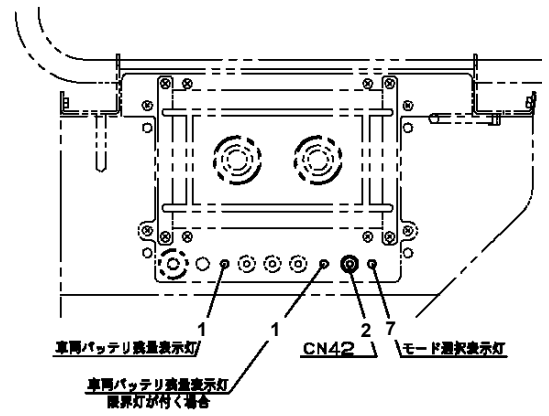


展開図有
 ILLUSTRATED BREAKDOWN NO.6

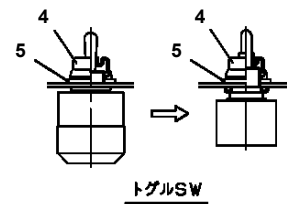
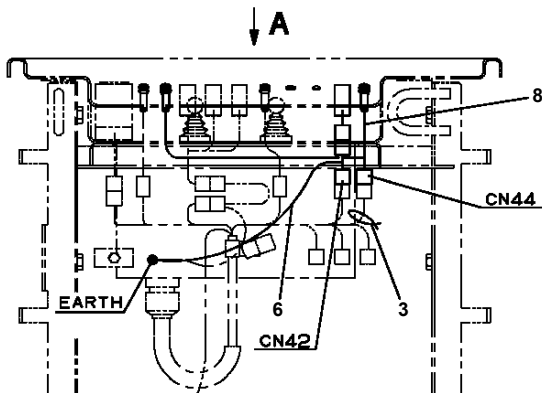
AT-100-4 42063442801 UPPER/LOWER, ISUZU SKG-NKR85AN-EE5AHY
 PE5060021-00 ELEC.ASSY, BUCKET



A
FRPパネルの場合



A
鉄パネルの場合



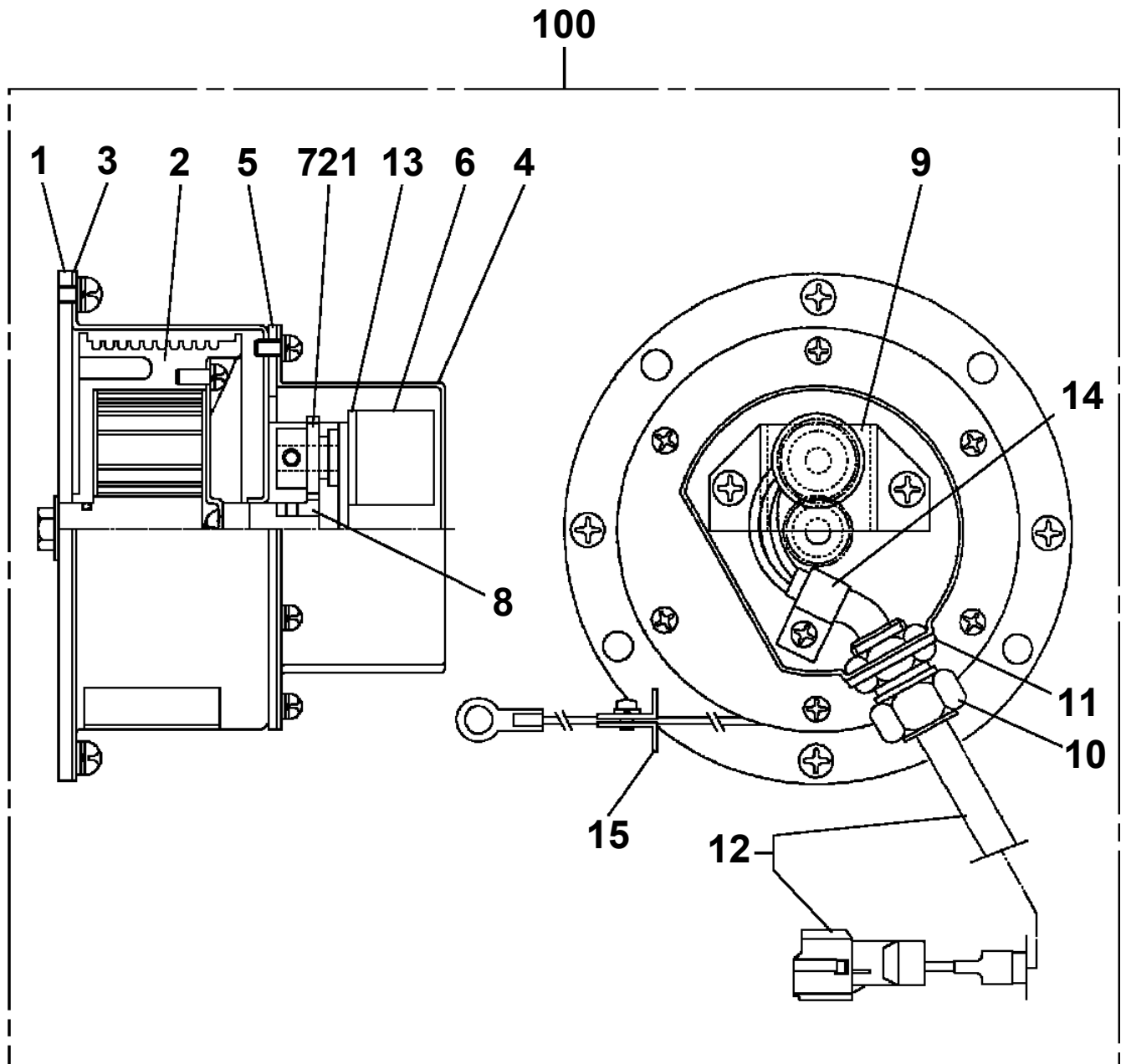
AT-100-4 42063442801 UPPER/LOWER,ISUZU SKG-NKR85AN-EE5AHY

Pos No.	Parts No	Parts Name	Qty	Unit	Technical Data	Serial No (Start)	Serial No (End)	Remarks	Pages
1	42503460100	SUPPORT	3						
2	90180208014	BOLT,BUTTON	8		M8X14				
3	90240200800	NUT,CAP	8		M8				
4	90302040801	WASHER,SPRING	8		8				
5	90303070801	WASHER,PLAIN	8		8				
6	42503460200	SUPPORT	1						

AT-100-4 42063442801 UPPER/LOWER,ISUZU SKG-NKR85AN-EE5AHY

Pos No.	Parts No	Parts Name	Qty	Unit	Technical Data	Serial No (Start)	Serial No (End)	Remarks
1	42626011001	FRAME ASSY	1					
2	42625260100	COVER ASSY	1					
3	42624600030	PLATE,NAME	2					
4	42626010100	BELT	1					
5	80172804016	SCREW,MACHINE	2		M4X16			
6	90302040801	WASHER,SPRING	4		8			
7	90303070801	WASHER,PLAIN	1		8			
8	42625260010	PLATE,SLIDE	1					
9	90172108020	BOLT,HEXAGON SOCKET	3		M8X20			
10	90201200800	NUT	4		M8			
11	82464107814	HINGE	2					
12	90190205012	BOLT	6		M5X12			
13	90201500500	NUT	12		M5			
14	90302510501	WASHER,SPRING	12		5			
15	90303520501	WASHER,PLAIN	6		5			
16	80172805014	SCREW,MACHINE	6		M5X14			
17	42653672450	INSULATOR	2					
18	90101208020	BOLT	1		M8X20			
19	90303070401	WASHER,PLAIN	2		4			
20	90302040401	WASHER,SPRING	2		4			
21	82401800080	PLUG (FOR M8)	2					
41	42625260200	COVER	1					
42	82460015181	CATCH (WITH KEY)	1					
43	80175805010	SCREW,MACHINE	2		M5X10			
44	80172805012	SCREW,MACHINE	2		M5X12			
45	90302510501	WASHER,SPRING	2		5			

AT-100-4 42063442801 UPPER/LOWER,ISUZU SKG-NKR85AN-EE5AHY
PG1120224-00 DETECTOR,BOOM LENGTH



AT-100-4 42063442801 UPPER/LOWER,ISUZU SKG-NKR85AN-EE5AHY

Pos No.	Parts No	Parts Name	Qty	Unit	Technical Data	Serial No (Start)	Serial No (End)	Remarks	Pages
1	42974340100	GUARD	1						
2	42974340200	GUARD	1						

AT-100-4 42063442801 UPPER/LOWER,ISUZU SKG-NKR85AN-EE5AHY

Pos No.	Parts No	Parts Name	Qty	Unit	Technical Data	Serial No (Start)	Serial No (End)	Remarks	Pages
1	42652990200	BUZZER ASSY	1						
2	42501110020	HARNESS	1						000165
3	80172304016	SCREW,MACHINE	2		M4X16				
4	90201200400	NUT	2		M4				
5	90302040401	WASHER,SPRING	2		4				
6	90303070401	WASHER,PLAIN	2		4		HK0213		
	90303070401	WASHER,PLAIN	4		4	HK0214			

AT-100-4 42063442801 UPPER/LOWER,ISUZU SKG-NKR85AN-EE5AHY

Pos No.	Parts No	Parts Name	Qty	Unit	Technical Data	Serial No (Start)	Serial No (End)	Remarks	Pages
1	42739931110	DISPLAY	1						000124
2	42807401150	CABLE	1						
3	42739931150	CAMERA	1						000127
30	42739962100	VIEW SYSTEM	1						

AT-100-4 42063442801 UPPER/LOWER,ISUZU SKG-NKR85AN-EE5AHY

Pos No.	Parts No	Parts Name	Qty	Unit	Technical Data	Serial No (Start)	Serial No (End)	Remarks	I
1	(*****)	VIEW SYSTEM (MONITOR)	1						0
2	(*****)	VIEW SYSTEM (CAMERA)	1						0

AT-100-4 42063442801 UPPER/LOWER,ISUZU SKG-NKR85AN-EE5AHY

Pos No.	Parts No	Parts Name	Qty	Unit	Technical Data	Serial No (Start)	Serial No (End)	Remarks
2	42739697510	CABLE ASSY	1					
3	42739697540	CABLE ASSY	1					
4	42739697520	CLIP	1					
5	42739697530	REMOTE CONTROL ASSY	1					
100	42739941110	DISPLAY	1					

AT-100-4 42063442801 UPPER/LOWER,ISUZU SKG-NKR85AN-EE5AHY

Pos No.	Parts No	Parts Name	Qty	Unit	Technical Data	Serial No (Start)	Serial No (End)	Remarks	Pages
19	82174103527	FUSE	1		65A				
38	82100002894	HOLDER,FUSE	1						
39	82100001839	FUSE	1		10A.RED				
100	42508261401	HARNESS	1						

AT-100-4 42063442801 UPPER/LOWER,ISUZU SKG-NKR85AN-EE5AHY

Pos No.	Parts No	Parts Name	Qty	Unit	Technical Data	Serial No (Start)	Serial No (End)	Remarks	Pages
1	42509571200	HARNESS	1						

AT-100-4 42063442801 UPPER/LOWER,ISUZU SKG-NKR85AN-EE5AHY

Pos No.	Parts No	Parts Name	Qty	Unit	Technical Data	Serial No (Start)	Serial No (End)	Remarks	Pages
100	42501930010	HARNESS	1						

AT-100-4 42063442801 UPPER/LOWER,ISUZU SKG-NKR85AN-EE5AHY

Pos No.	Parts No	Parts Name	Qty	Unit	Technical Data	Serial No (Start)	Serial No (End)	Remarks	Pages
100	42504802070	HARNESS	1						

AT-100-4 42063442801 UPPER/LOWER,ISUZU SKG-NKR85AN-EE5AHY

Pos No.	Parts No	Parts Name	Qty	Unit	Technical Data	Serial No (Start)	Serial No (End)	Remarks	Pages
100	42509011100	HARNESS	1						

AT-100-4 42063442801 UPPER/LOWER,ISUZU SKG-NKR85AN-EE5AHY

Pos No.	Parts No	Parts Name	Qty	Unit	Technical Data	Serial No (Start)	Serial No (End)	Remarks	Pages
100	42501100100	HARNESS	1						

AT-100-4 42063442801 UPPER/LOWER,ISUZU SKG-NKR85AN-EE5AHY

Pos No.	Parts No	Parts Name	Qty	Unit	Technical Data	Serial No (Start)	Serial No (End)	Remarks	Pages
1	42332521400	HARNESS	1						

AT-100-4 42063442801 UPPER/LOWER,ISUZU SKG-NKR85AN-EE5AHY

Pos No.	Parts No	Parts Name	Qty	Unit	Technical Data	Serial No (Start)	Serial No (End)	Remarks	Pages
100	42501110020	HARNESS	1						

AT-100-4 42063442801 UPPER/LOWER,ISUZU SKG-NKR85AN-EE5AHY

Pos No.	Parts No	Parts Name	Qty	Unit	Technical Data	Serial No (Start)	Serial No (End)	Remarks	Pages
1	82460027206	HANDLE	1						

AT-100-4 42063442801 UPPER/LOWER,ISUZU SKG-NKR85AN-EE5AHY

Pos No.	Parts No	Parts Name	Qty	Unit	Technical Data	Serial No (Start)	Serial No (End)	Remarks	Pages
1	82460027211	HANDLE	1						

AT-100-4 42063442801 UPPER/LOWER,ISUZU SKG-NKR85AN-EE5AHY

Pos No.	Parts No	Parts Name	Qty	Unit	Technical Data	Serial No (Start)	Serial No (End)	Remarks	Pages
11	91001101200	O-RING	2		1A P12				
23	36624110300	SEAT	2						
24	36624110400	SPRING	2						
26	36624110600	PISTON	1						
28	91001101800	O-RING	2		1A P18				
30	36624111000	PACKING	2						
31	36624111100	O-RING	1		P12				
41	36624110100	BODY	1						
42	36624110200	PLUG	2						
45	36624110501	PLUNGER	2						
100	36624110000	VALVE,CHECK	1						

AT-100-4 42063442801 UPPER/LOWER,ISUZU SKG-NKR85AN-EE5AHY

Pos No.	Parts No	Parts Name	Qty	Unit	Technical Data	Serial No (Start)	Serial No (End)	Remark
1	80316100040	PLUG	1		PF1/2			
2	91002801800	O-RING	1		1B P18			
7	91002801600	O-RING	1		1B P16			
10	36605515030	SPRING	1					
11	91002902500	O-RING	1		1B G25			
12	36605515040	GUIDE	1					
13	36605515050	COVER	1					
14	36620030010	PLUG	1		PF3/8			
15	91002801400	O-RING	2		1B P14			
16	52255101000	SPRING	1					
18	36605515060	PISTON	1					
19	91002801000	O-RING	1		1B P10			
20	80316100030	PLUG	1		G3/8			
21	91002801200	O-RING	2		1B P12			
22	90131708035	BOLT,HEXAGON SOCKET	4		M8X35			
23	80316090020	PLUG	3		KKT PT1/8			
31	36605515070	BODY ASSY	1					
32	36605515082	VALVE,CHECK	1					
50	36605510001	VALVE,COUNTERBALANCE	1					

AT-100-4 42063442801 UPPER/LOWER,ISUZU SKG-NKR85AN-EE5AHY

Pos No.	Parts No	Parts Name	Qty	Unit	Technical Data	Serial No (Start)	Serial No
1	(*****)	ELEC.ASSY (FRAME)	1				
3	(*****)	NAME PLATE ASSY (RUNAWAY PREVENTION)	1				

AT-100-4 42063442801 UPPER/LOWER,ISUZU SKG-NKR85AN-EE5AHY

Pos No.	Parts No	Parts Name	Qty	Unit	Technical Data	Serial No (Start)	Serial No (End)	R
1	42266920101	BUCKET (WHITE/WITHOUT BOSS)	1					

AT-100-4 42063442801 UPPER/LOWER,ISUZU SKG-NKR85AN-EE5AHY

Pos No.	Parts No	Parts Name	Qty	Unit	Technical Data	Serial No (S
1	(*****)	BUCKET (SI,WHITE/WITH INNER)	1			
2	(*****)	ACCESSORIES (MAT/FOR SI BUCKET)	1			
3	(*****)	MOUNT	1			
4	(*****)	PLATE ASSY,NAME (NON-SLIP/TOOL BOX EXTENSION STEP)	1			

CLICK HERE TO **DOWNLOAD** THE COMPLETE MANUAL

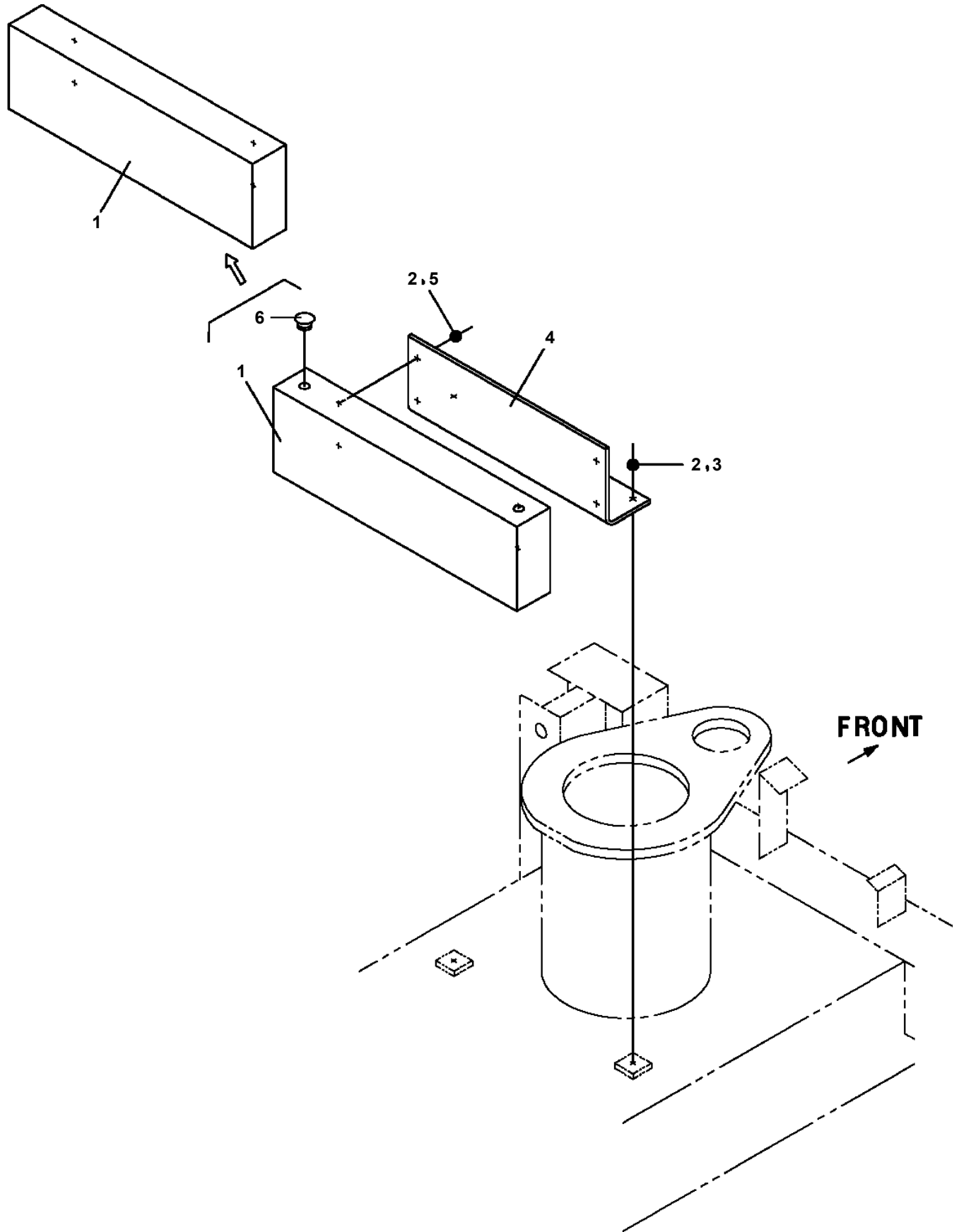
- Thank you very much for reading the preview of the manual.
- You can download the complete manual from: www.heydownloads.com by clicking the link below



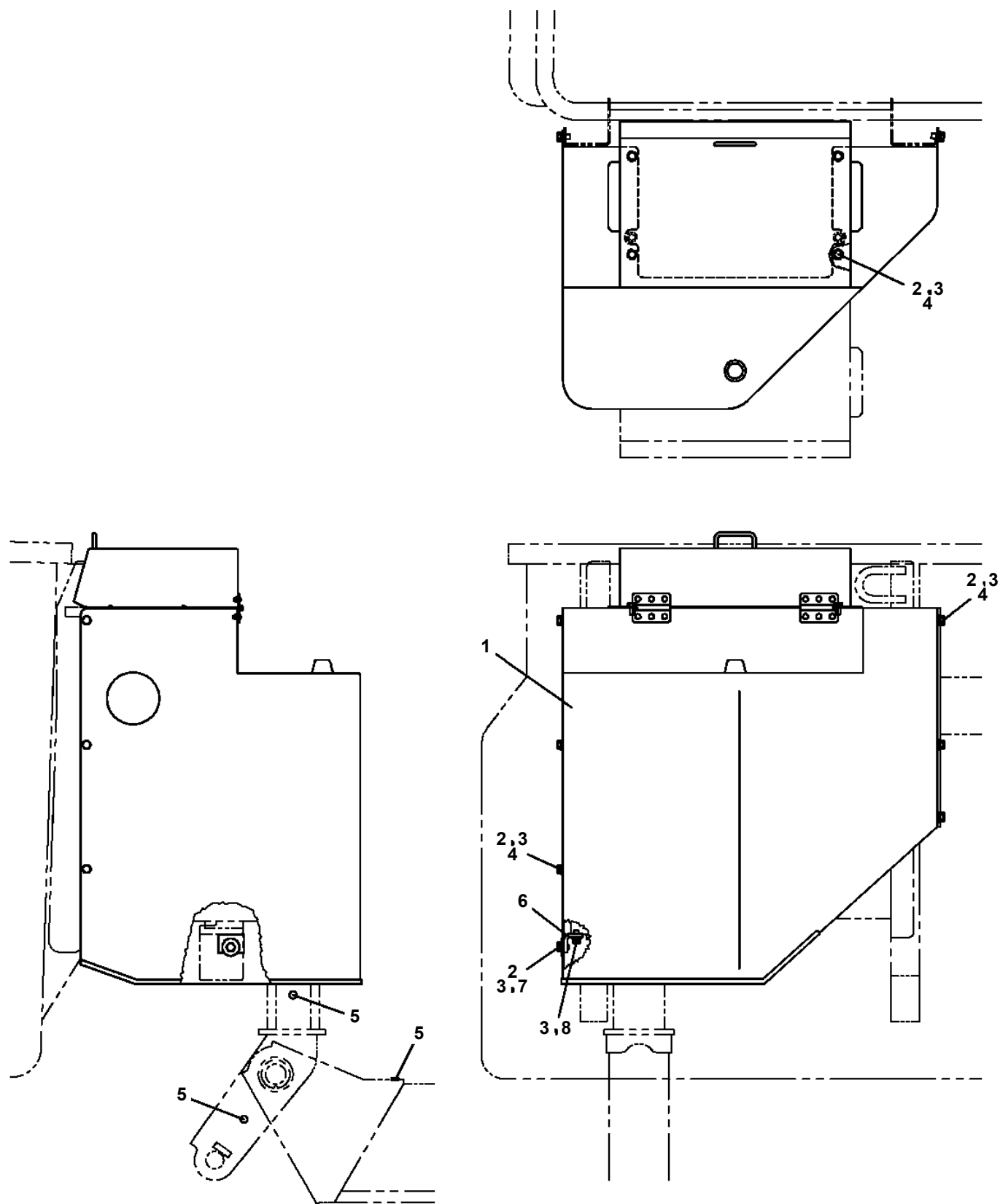
- Please note: If there is no response to CLICKING the link, please download this PDF first and then click on it.

CLICK HERE TO **DOWNLOAD** THE COMPLETE MANUAL

**AT-100-4 42063442801 UPPER/LOWER,ISUZU SKG-NKR85AN-EE5AHY
PK1230188-01 WEIGHT**



AT-100-4 42063442801 UPPER/LOWER,ISUZU SKG-NKR85AN-EE5AHY
PK1330441-01 COVER (BUCKET OR BASKET)

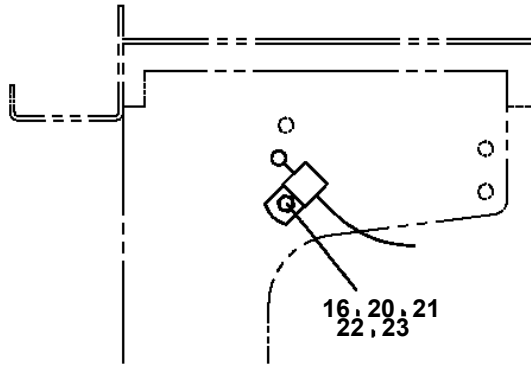


展開図有
ILLUSTRATED BREAKDOWN NO.1

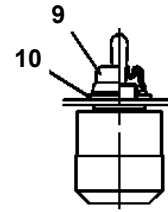
AT-100-4 42063442801 UPPER/LOWER,ISUZU SKG-NKR85AN-EE5AHY

Pos No.	Parts No	Parts Name	Qty	Unit	Technical Data	Serial No (Start)	Serial No (End)
1	(*****)	COVER (FOR LADDER CHEST:KARUTA)	1				
2	(*****)	COVER (FOR REAR COVER T-HANDLE)	1				
3	(*****)	MOUNT (CHAIN FOR TRUCK BED)	1				

AT-100-4 42063442801 UPPER/LOWER, ISUZU SKG-NKR85AN-EE5AHY
 PL1920063-02 OPE.ASSY (BUCKET)

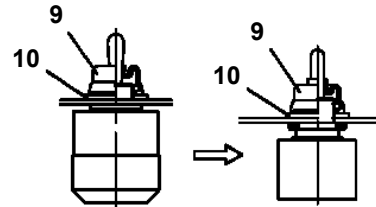


A
 AT-80-3の場合のみ
 AT-80-3 ONLY



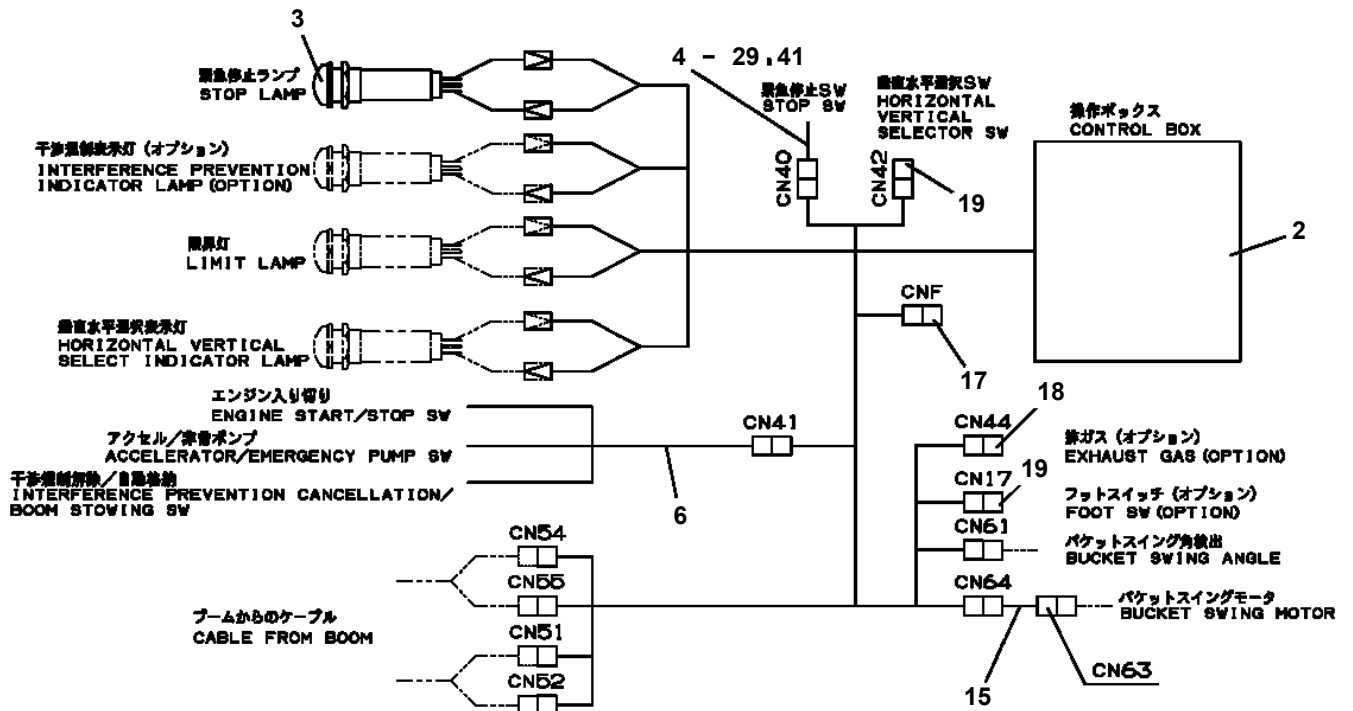
トグルSW
 TOGGLE SW

- 6 : アクセル/非常ポンプ (NO.2)
 ACCELERATOR/EMERGENCY PUMP SW (NO.2)



トグルSW
 TOGGLE SW

- 6 : 干渉制御解除/自動格納 (NO.1)
 INTERFERENCE PREVENTION CANCELLATION/
 BOOM STOWING SW (NO.1)
 エンジン (NO.3)
 ENGINE START/STOP SW (NO.3)



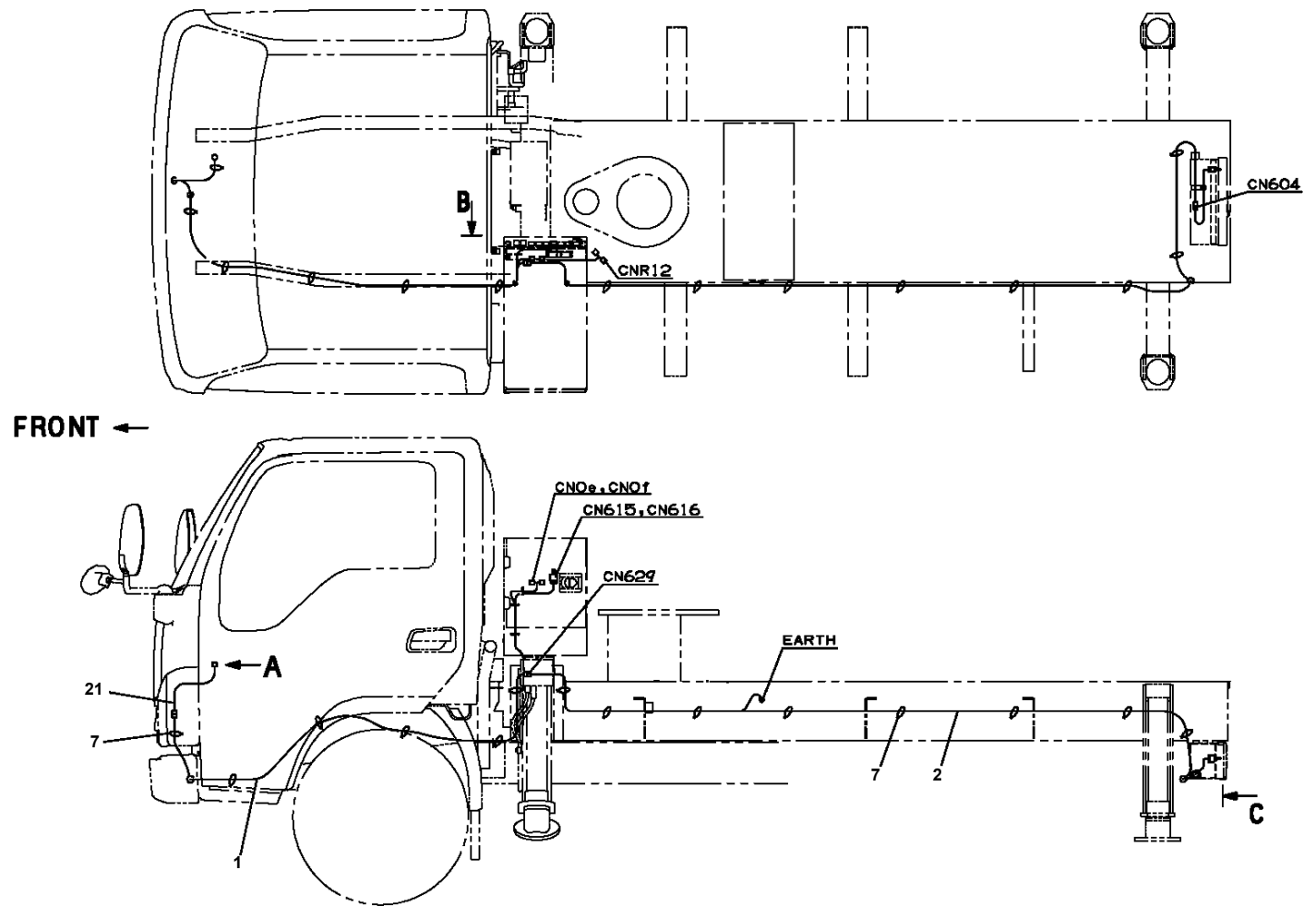
配線接続

WIRING CONNECTION

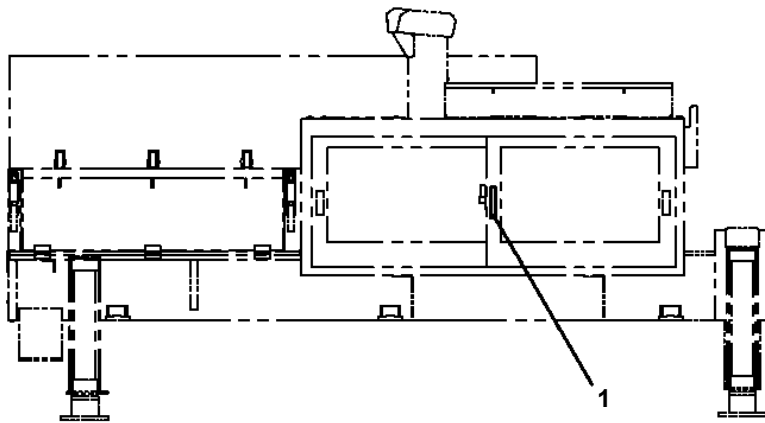
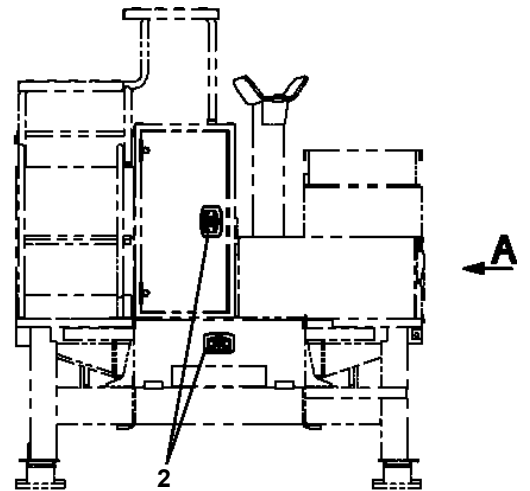
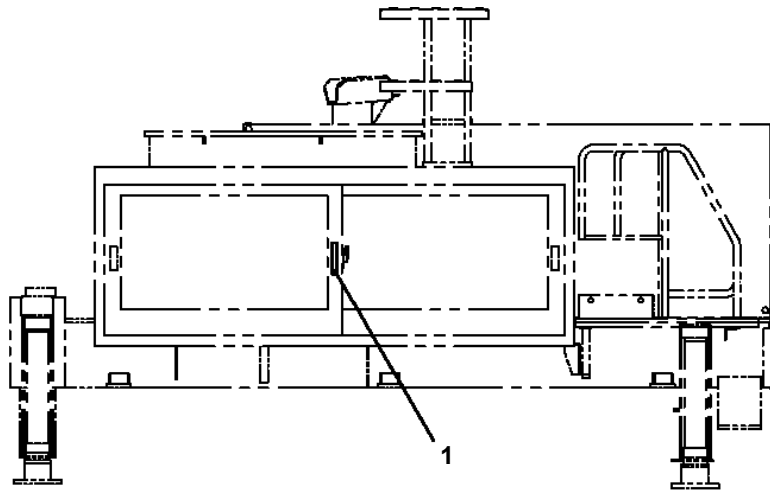
AT-100-4 42063442801 UPPER/LOWER,ISUZU SKG-NKR85AN-EE5AHY
PL1920091-01 OPE.ASSY (W/ 2-AXIS ENABLE SW)

指示番号 KEY NO.	オペ .ASSY (2ジク イネーフ ルSWツキ) OPE.ASSY (WITH 2-AXIS ENABLE SW)
1	オペ .ASSY OPE.ASSY
2	プレートASSY,ネーム (バケツトソウサフ) PLATE ASSY,NAME (BUCKET CONTROL)
3	プレートASSY,ネーム (バケツトナイメン) PLATE ASSY,NAME (INSIDE BUCKET)

AT-100-4 42063442801 UPPER/LOWER, ISUZU SKG-NKR85AN-EE5AHY
PL5270015-00 LOCK ASSY (CAB DOOR LOCK CONROL)

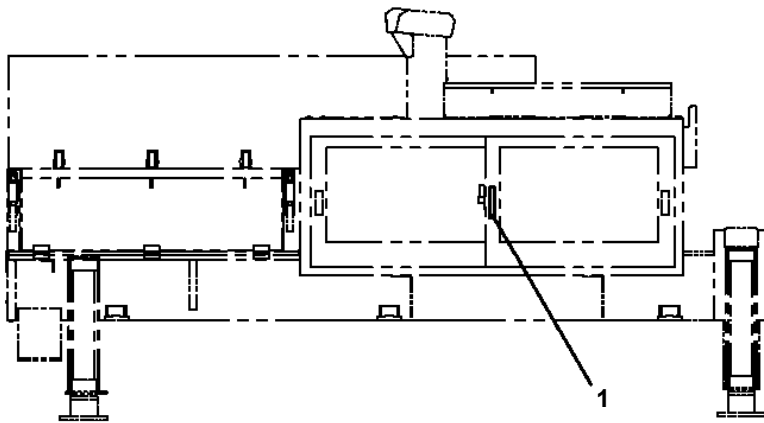
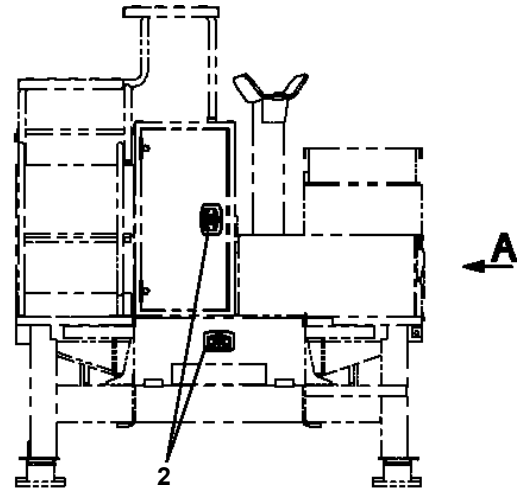
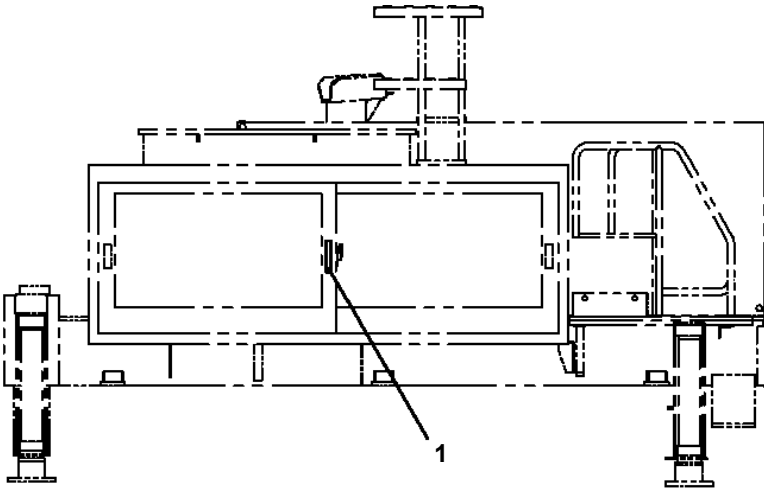


AT-100-4 42063442801 UPPER/LOWER, ISUZU SKG-NKR85AN-EE5AHY
PL5270044-00 LOCK ASSY (KEY NO.2)



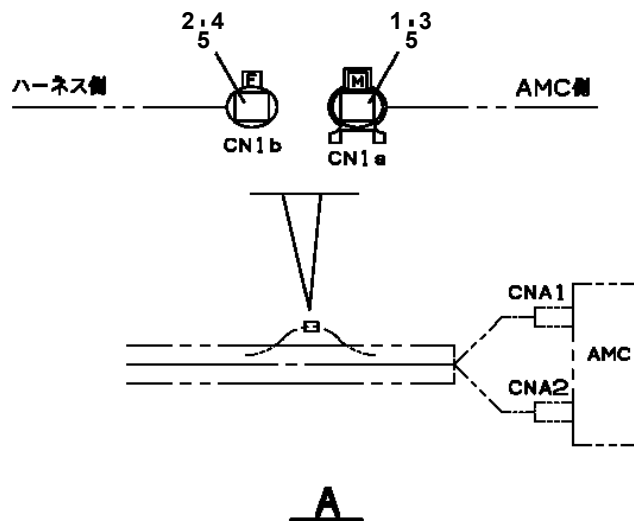
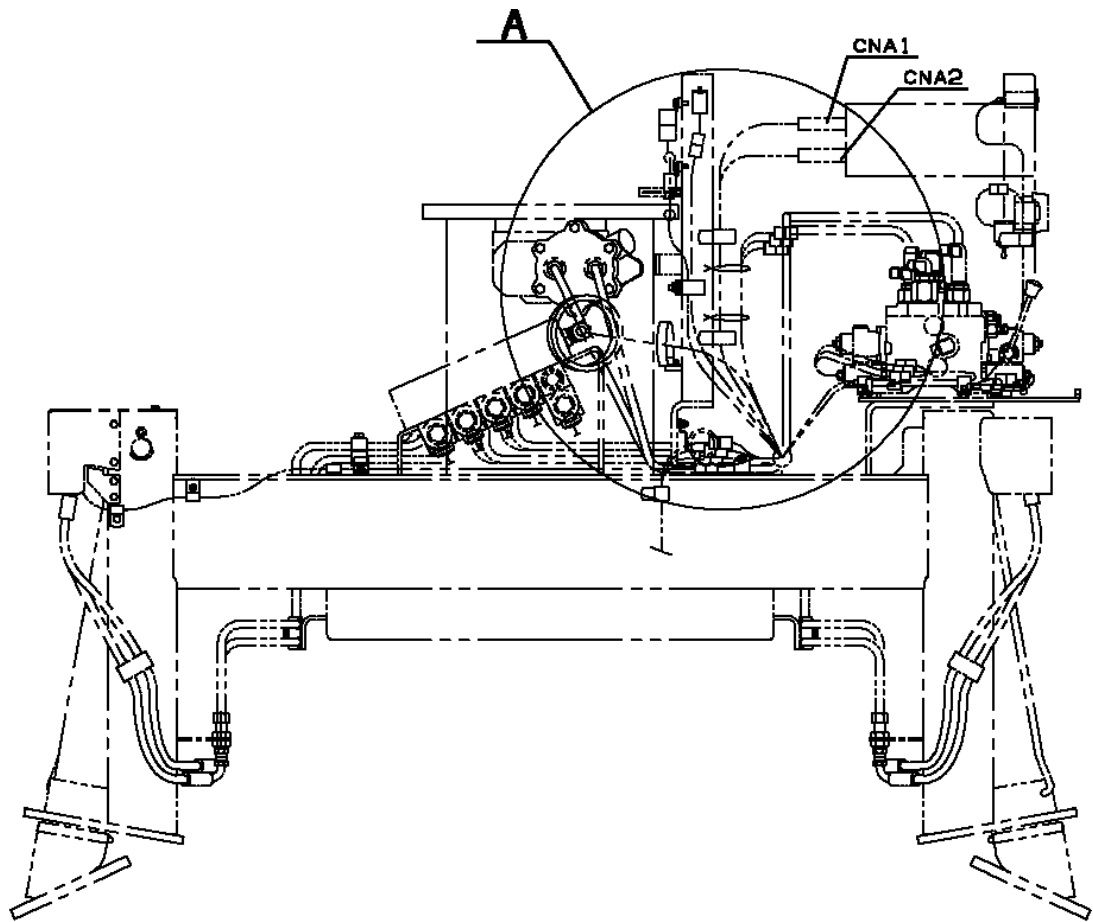
A

AT-100-4 42063442801 UPPER/LOWER, ISUZU SKG-NKR85AN-EE5AHY
PL5270049-00 LOCK ASSY (KEY NO.7)



A

AT-100-4 42063442801 UPPER/LOWER,ISUZU SKG-NKR85AN-EE5AHY
PM5150204-00 MODIFICATION ASSY (WITH CONNECTOR/HARNESS,AMC)



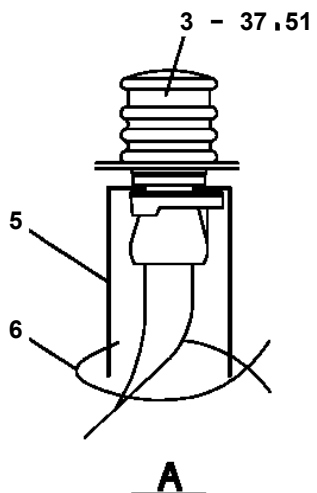
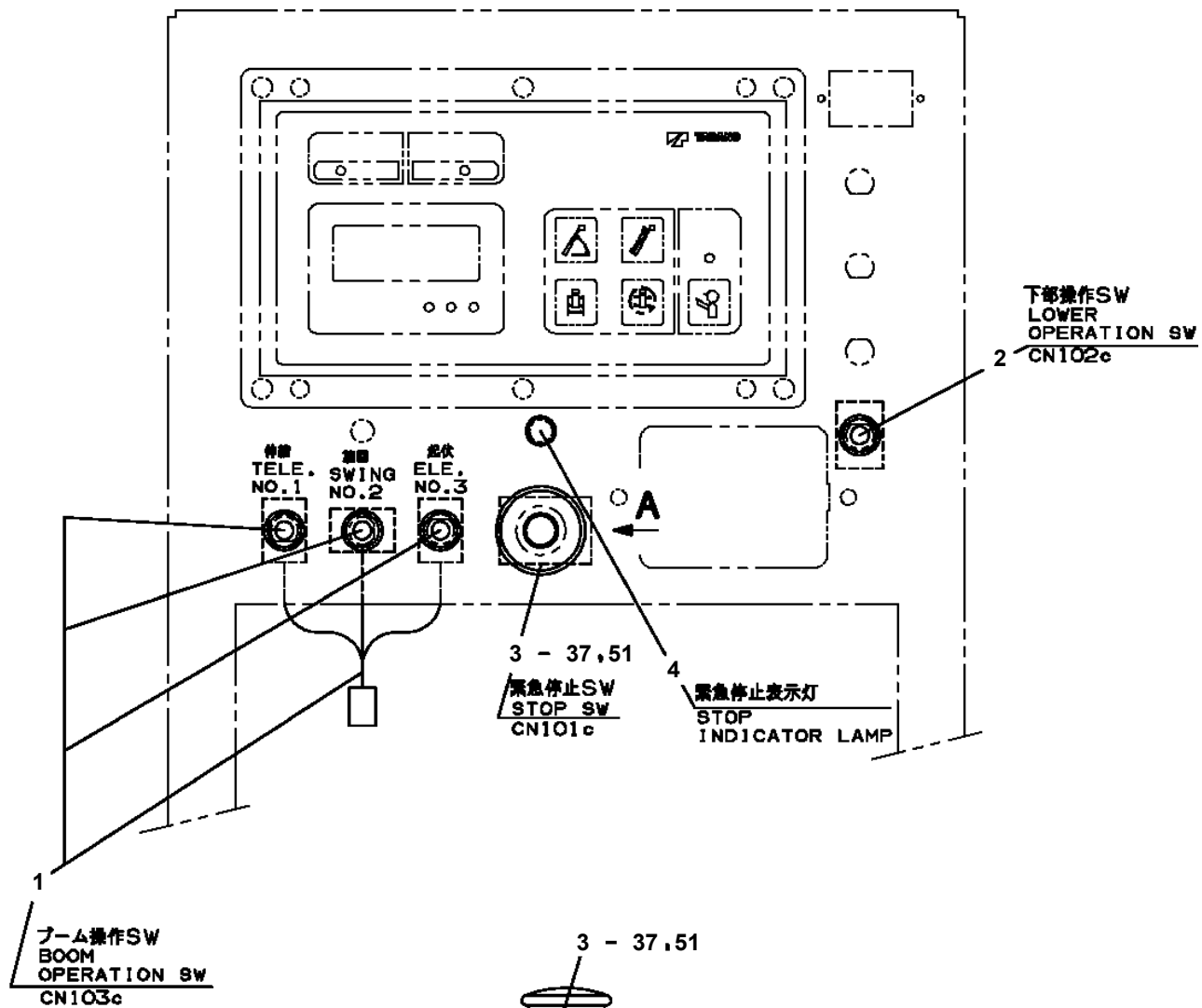
**AT-100-4 42063442801 UPPER/LOWER,ISUZU SKG-NKR85AN-EE5AHY
PM5150311-00 MODIFICATION ASSY(10M:DATE,SLOW START/SLOW STOP 50%)**

指示番号 KEY NO.	カイソウ ASSY (10M:データ,カンキトウカンテイシソクトウ 50%タンショウ) MODIFICATION ASSY (10M:DATE,SLOW START/SLOW STOP 50%)
2	ネームプレート ASSY NAME PLATE ASSY

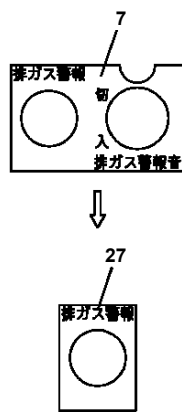
AT-100-4 42063442801 UPPER/LOWER,ISUZU SKG-NKR85AN-EE5AHY

Pos No.	Parts No	Parts Name	Qty	Unit	Technical Data	Serial No (Start)	Serial No (End)	Remarks
1	36663955100	SHAFT	1					
2	80500006206	BEARING,BALL	1					
4	91001206500	O-RING	1		1A G65			
5	36660025021	COVER (OIL SEAL)	1					
6	36660025140	SEAL,OIL	1					
7	36663485110	RING,RETAINING	1		R72			
8	36663955020	PLATE,THRUST	1					
9	36663955030	BARREL ASSY (CYLINDER)	1					
10	36663955040	PLATE (VALVE)	1					
11	36661925030	COVER (BOTTOM)	1					
12	80500006203	BEARING,BALL	1					
13	36662355110	PIN	2					
14	36663955050	O-RING	1					
15	36663955060	BOLT	6		M10X35			
16	14125151020	KEY	1					
17	36660125060	PLUG	2		PF3/8			
18	36081315130	PROTECTOR (THREAD)	2					
44	36660025100	SPRING (PLUNGER)	5					
45	14125151300	RING,RETAINING	1					
46	12645103171	SPRING (CENTER)	1					
100	36664070000	MOTOR,OIL	1					

AT-100-4 42063442801 UPPER/LOWER, ISUZU SKG-NKR85AN-EE5AHY
 PN1014335-04 ELEC.ASSY (LOWER CONTROLS)

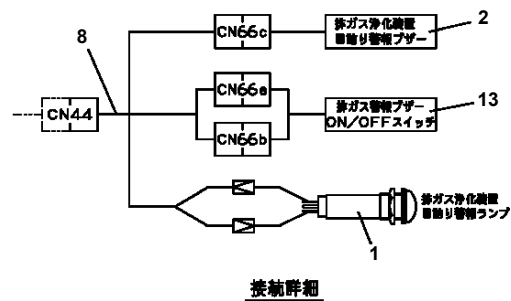
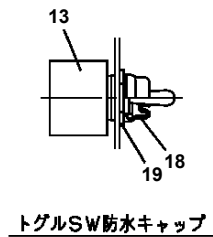


AT-100-4 42063442801 UPPER/LOWER, ISUZU SKG-NKR85AN-EE5AHY
 PN1014780-02 ELEC.ASSY (ALARM: UPPER/EXHAUST GAS PURIFIER DEVICE)



9
注意 / 排ガス浄化装置

○「排ガス警報」ランプが点滅しブザーが鳴った場合は作業を中止しブームを後退してください。そのまま使用を続けると、排ガス浄化装置およびエンジンが故障します。その後P.T.Oを有り車両の取扱説明書に従って再生動作を行ってください。



AT-100-4 42063442801 UPPER/LOWER,ISUZU SKG-NKR85AN-EE5AHY

Pos No.	Parts No	Parts Name	Qty	Unit	Technical Data	Serial No (Start)	Serial No (End)
1	42653673200	LAMP ASSY (GREEN,WITH HARNESS)	1				
2	42331791200	SWITCH ASSY (WITH HARNESS,1 SW)	1				HK0072
	42504803100	SWITCH ASSY	1			HK0073	
3	91810130240	FASTENER	N				
4	82199514013	CAP	1				
5	82199504017	NUT	1		AT-401N		
6	42502181100	HARNESS	1				

AT-100-4 42063442801 UPPER/LOWER,ISUZU SKG-NKR85AN-EE5AHY

Pos No.	Parts No	Parts Name	Qty	Unit	Technical Data	Serial No (Start)	Serial No (End)	Remarks	Pages
1	42502381100	LAMP ASSY	1						
2	42501070100	SUPPORT	1						
3	42501070010	HARNESS	1						00016
4	90813108020	BOLT,WING	1		M8X20				
5	90101208016	BOLT	2		M8X16				
6	90302040801	WASHER,SPRING	2		8				
7	90201200600	NUT	2		M6				
8	90302040601	WASHER,SPRING	2		6				
9	82100002006	CLAMP	2		WR10				
10	91810130240	FASTENER	5						
11	42501541010	INSULATOR	1				HK0096		
12	42502381300	SUPPORT	1						
13	42501791000	SUPPORT ASSY	1						
14	82100001823	FASTENER	1						
31	82199100032	LAMP	1						
32	90101212020	BOLT	1		M12X20				
33	90302041201	WASHER,SPRING	1		12				
34	37000179070	PIN	1						
41	42501692100	SUPPORT	1						
42	42501791100	SUPPORT	1						
43	82430138010	KNOB	2						
44	90813110016	BOLT,WING	1						
45	90101208030	BOLT	2		M8X30				
46	90303070801	WASHER,PLAIN	2		8				
47	37000506550	PLATE	2		T=1.6				
48	90302040801	WASHER,SPRING	2		8				
51	82100002850	LENS	1						
52	82100005003	BULB,LAMP	1		24V 55W ÈÙ'ÞÝ				

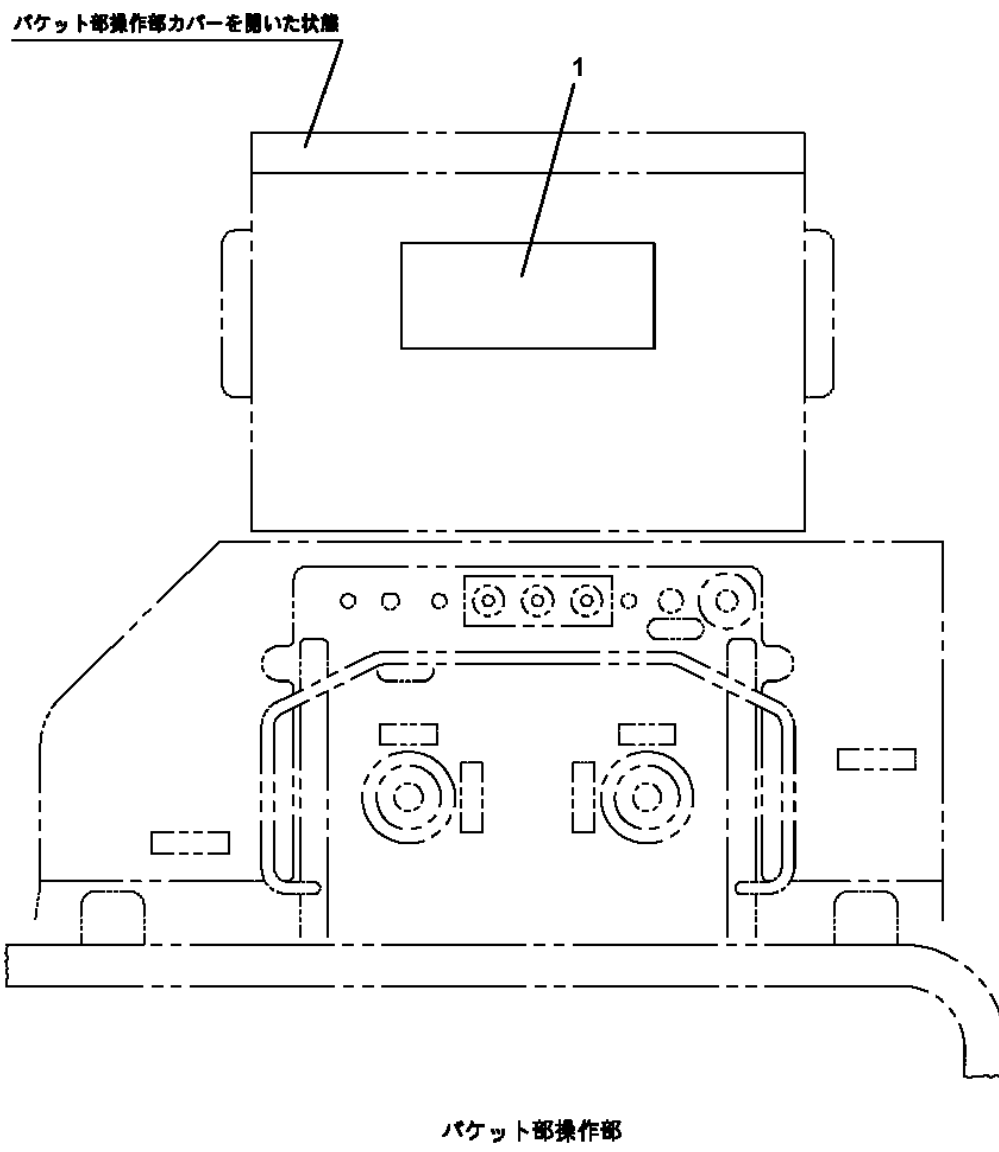
AT-100-4 42063442801 UPPER/LOWER,ISUZU SKG-NKR85AN-EE5AHY

Pos No.	Parts No	Parts Name	Qty	Unit	Technical Data	Serial No (Start)	Serial No (End)
6	82105220286	SWITCH,TOGGLE	3				
50	42651591300	SWITCH ASSY (WITH HARNESS,3 SW)	1				

AT-100-4 42063442801 UPPER/LOWER,ISUZU SKG-NKR85AN-EE5AHY

Pos No.	Parts No	Parts Name	Qty	Unit	Technical Data	Serial No (Start)	Serial No (End)	Remarks	Page
5	36160017550	HANDLE	1						
6	36160655020	SHAFT	1						
7	36160017560	WASHER,PLAIN	1						
9	36160025010	CORD ASSY (MAIN)	1						
10	36160025020	CLIP	1						
11	36160025030	COVER (CLIP)	1						
13	36160017590	PLATE (CONTACT)	1						
50	36160020000	REEL,CORD	1						

AT-100-4 42063442801 UPPER/LOWER,ISUZU SKG-NKR85AN-EE5AHY
PN5010421-00 NAME PLATE ASSY (FOR RENTAL,BOOM OPERATION)



1

ブーム操作注意

- ブーム操作・首振り操作は操作レバーのイネーブルスイッチを引き上げながら、イネーブルスイッチ操作してください。
- ブーム格納スイッチは左右どちらかのイネーブルスイッチを引き上げながら、操作してください。

イネーブルスイッチ

AT-100-4 42063442801 UPPER/LOWER,ISUZU SKG-NKR85AN-EE5AHY

Pos No.	Parts No	Parts Name	Qty	Unit	Technical Data	Serial No (Start)	Serial No (E
1	42509842510	PLATE,NAME	1				
2	42509573020	PLATE,NAME	1				
3	42509573030	PLATE,NAME (OUTRIGGER OPERATION)	1				
4	42475910010	PLATE,NAME	1				

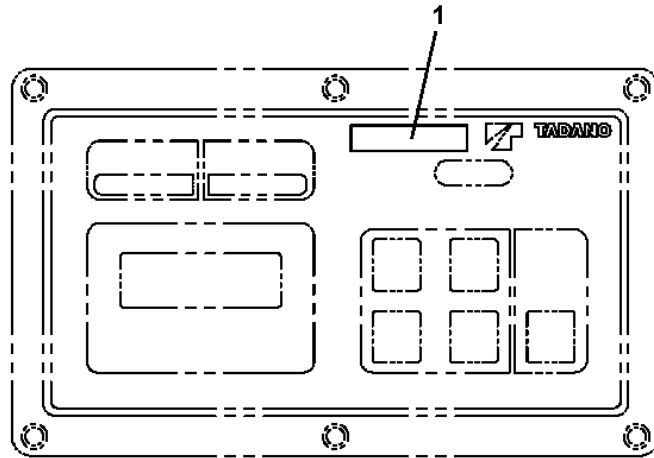
AT-100-4 42063442801 UPPER/LOWER,ISUZU SKG-NKR85AN-EE5AHY

Pos No.	Parts No	Parts Name	Qty	Unit	Technical Data	Serial No (Start)	Serial No (End)	Remarks	Pages
1	42940090010	PLATE,NAME	1						
2	37002204230	PLATE,NAME	1						
3	37002224450	PLATE,NAME	1						

AT-100-4 42063442801 UPPER/LOWER,ISUZU SKG-NKR85AN-EE5AHY

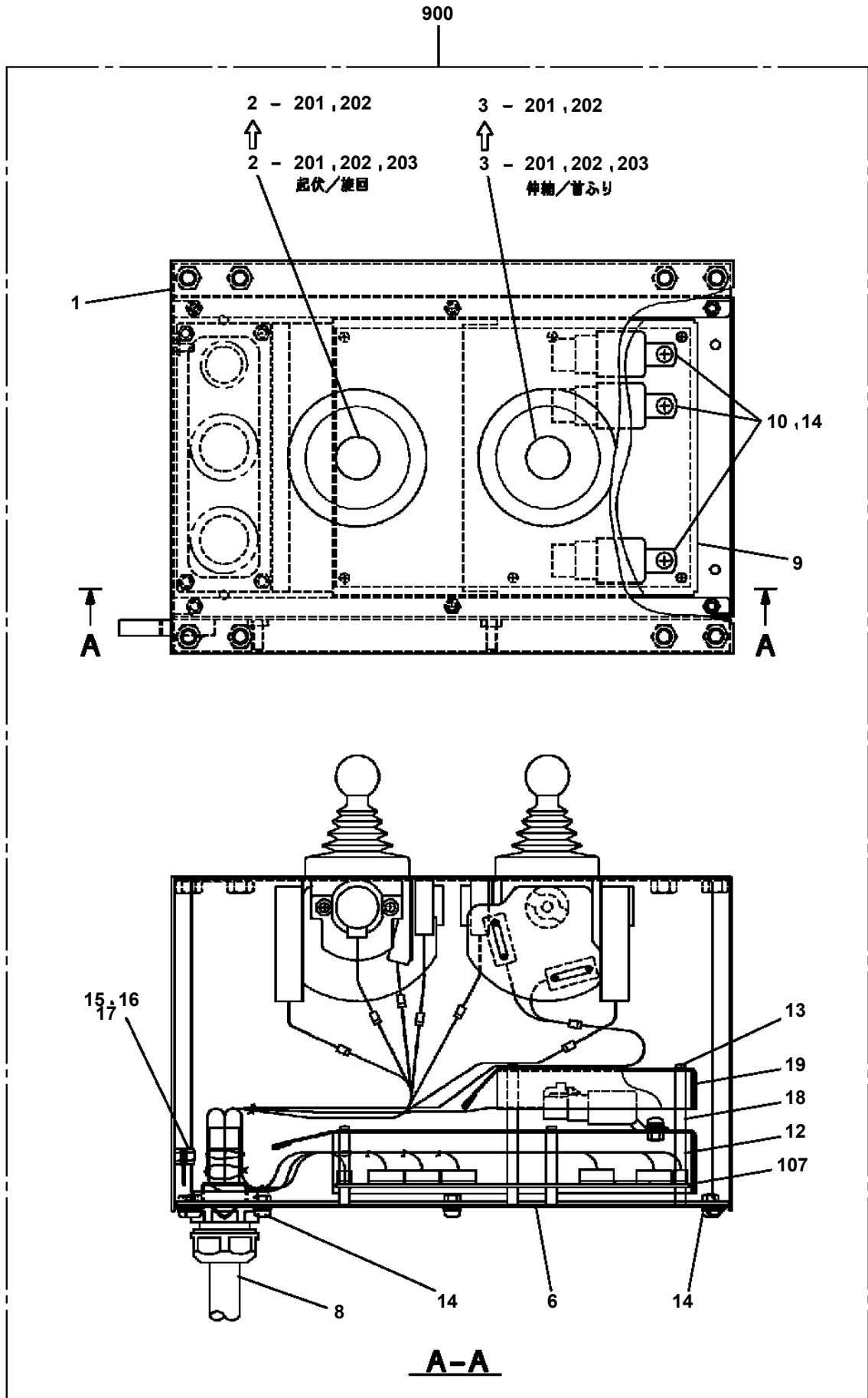
Pos No.	Parts No	Parts Name	Qty	Unit	Technical Data	Serial No (Start)	Serial No (End)
1	42332893010	PLATE,NAME (BOOM OPERATION ATTENTION)	1				
	42332893010	PLATE,NAME (BOOM OPERATION ATTENTION)	1				
2	42332893020	PLATE,CAUTION (PREOPERATION CHECK)	1				
	42332893020	PLATE,CAUTION (PREOPERATION CHECK)	1				

AT-100-4 42063442801 UPPER/LOWER,ISUZU SKG-NKR85AN-EE5AHY
PO1015523-00 PLATE ASSY,NAME (FOR AT-100TT,TTE/AMC DATA)



AMC前面パネル

AT-100-4 42063442801 UPPER/LOWER, ISUZU SKG-NKR85AN-EE5AHY
 PO5010003-03 OPE.ASSY



AT-100-4 42063442801 UPPER/LOWER,ISUZU SKG-NKR85AN-EE5AHY

Pos No.	Parts No	Parts Name	Qty	Unit	Technical Data	Serial No (Start)	Serial No (End)
1	42332891100	PANEL	1				
2	42332892002	OPE.ASSY	1				
3	42809631200	LAMP ASSY (RED,WITH HARNESS)	1				
4	42332521300	SWITCH ASSY (WITH HARNESS)	1				
5	82100002014	CLAMP	1		WR20		
6	42332531301	SWITCH ASSY (WITH HARNESS,3 SW)	1				
7	80192488020	SCREW,MACHINE	12		M8X20		
8	42332891200	GUARD	1				
9	82199514013	CAP	3				
10	82199504017	NUT	3		AT-401N		
11	37000714020	CLAMP ASSY	1		12X2		
12	82100002012	CLAMP	1		WR18		
13	90280200600	NUT,FLANGE	1		M6		
14	91810130240	FASTENER	10				
15	42333081100	HARNESS	1				
16	42900001200	COVER	1				
17	42350250150	PLUG (6 POLES,MALE)	1				
18	42350250090	PLUG (4 POLES,MALE)	1				
19	42350250080	PLUG (3 POLES,MALE)	2				
49	42355641010	COVER	1				
61	42355641210	BUTTON	1				

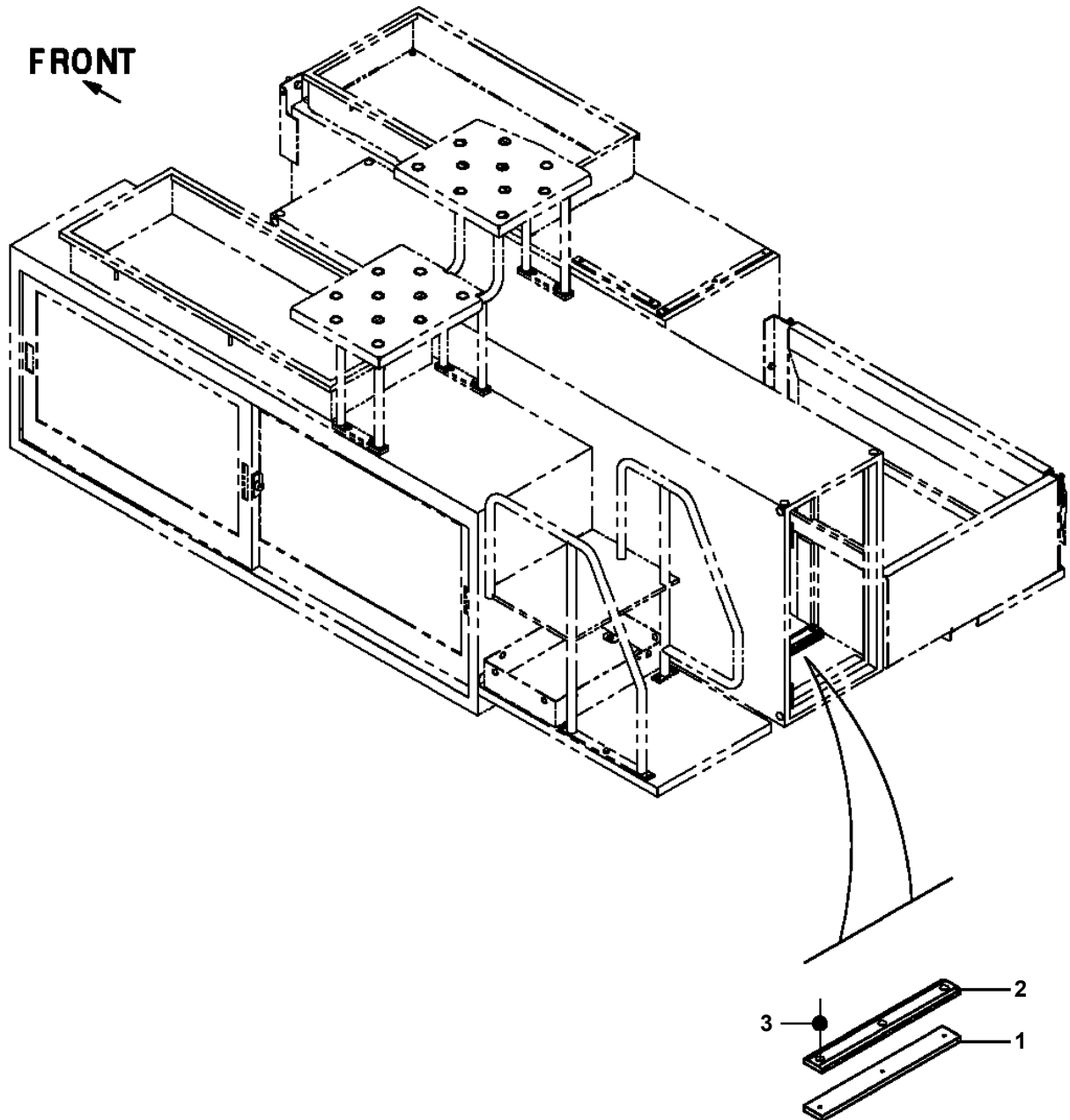
AT-100-4 42063442801 UPPER/LOWER,ISUZU SKG-NKR85AN-EE5AHY

Pos No.	Parts No	Parts Name	Qty	Unit	Technical Data	Serial No (Start)	Serial No (End)	Re
1	42507122810	PANEL	1					
2	42507124200	LAMP ASSY (WITH HARNESS)	1					
3	42353950100	SWITCH ASSY (WITH HARNESS)	1					
4	82199802462	METER	1					
5	82154201010	METER,HOUR	1					
6	80172303016	SCREW,MACHINE	2		M3X16			
7	90303070301	WASHER,PLAIN	4		3			
8	90302040301	WASHER,SPRING	4		3			
9	90201200300	NUT	4		M3			
10	80172303010	SCREW,MACHINE	2		M3X10			
100	42507122800	PANEL ASSY	1					

AT-100-4 42063442801 UPPER/LOWER,ISUZU SKG-NKR85AN-EE5AHY

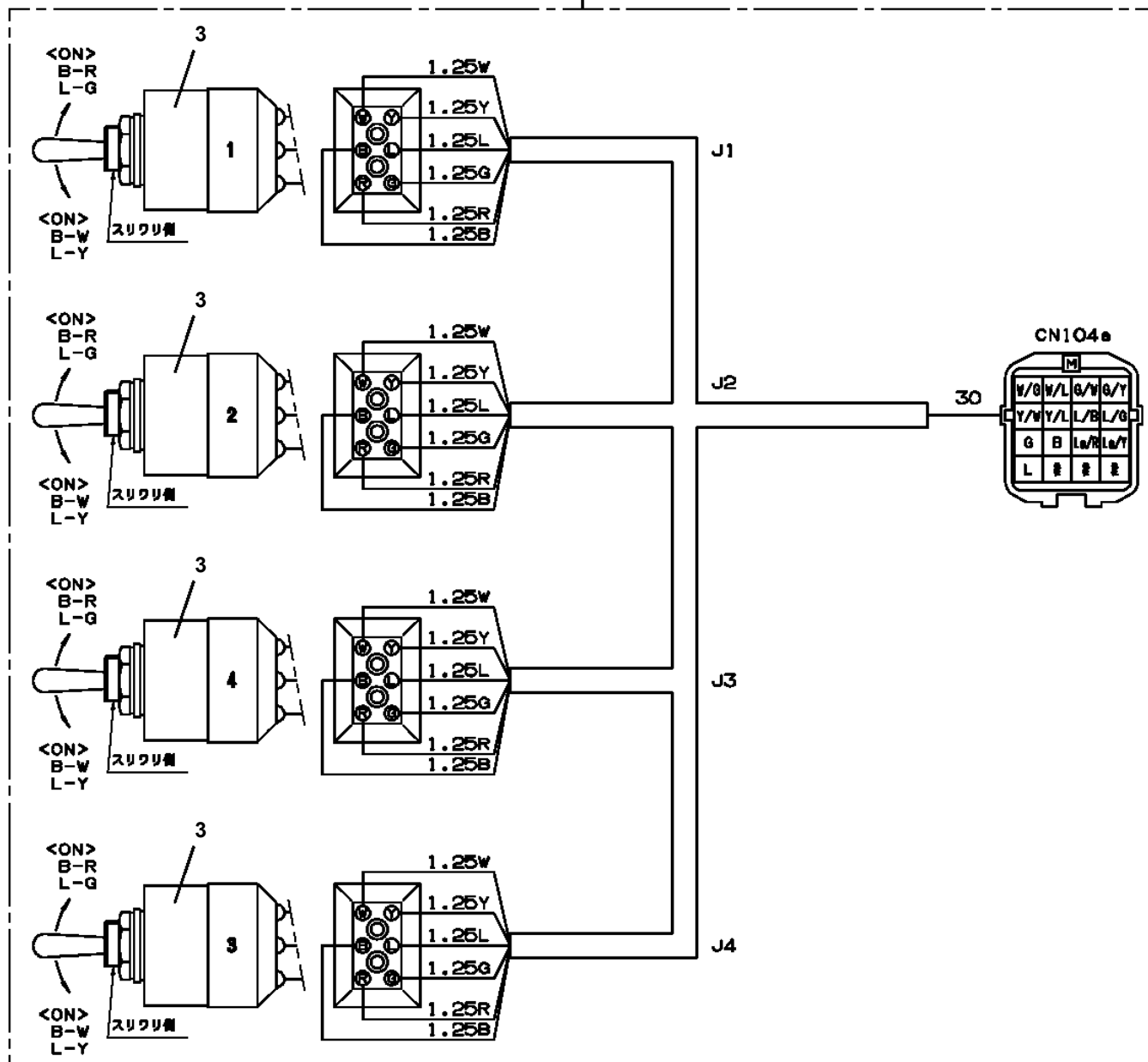
Pos No.	Parts No	Parts Name	Qty	Unit	Technical Data	Serial No (Start)	Serial No (End)	Remarks
1	37004100040	PUMP,GREASE (DOMESTIC)	1					

AT-100-4 42063442801 UPPER/LOWER,ISUZU SKG-NKR85AN-EE5AHY
PS5420508-00 SUPPORT ASSY (DANKITI BUFFER,25MM)

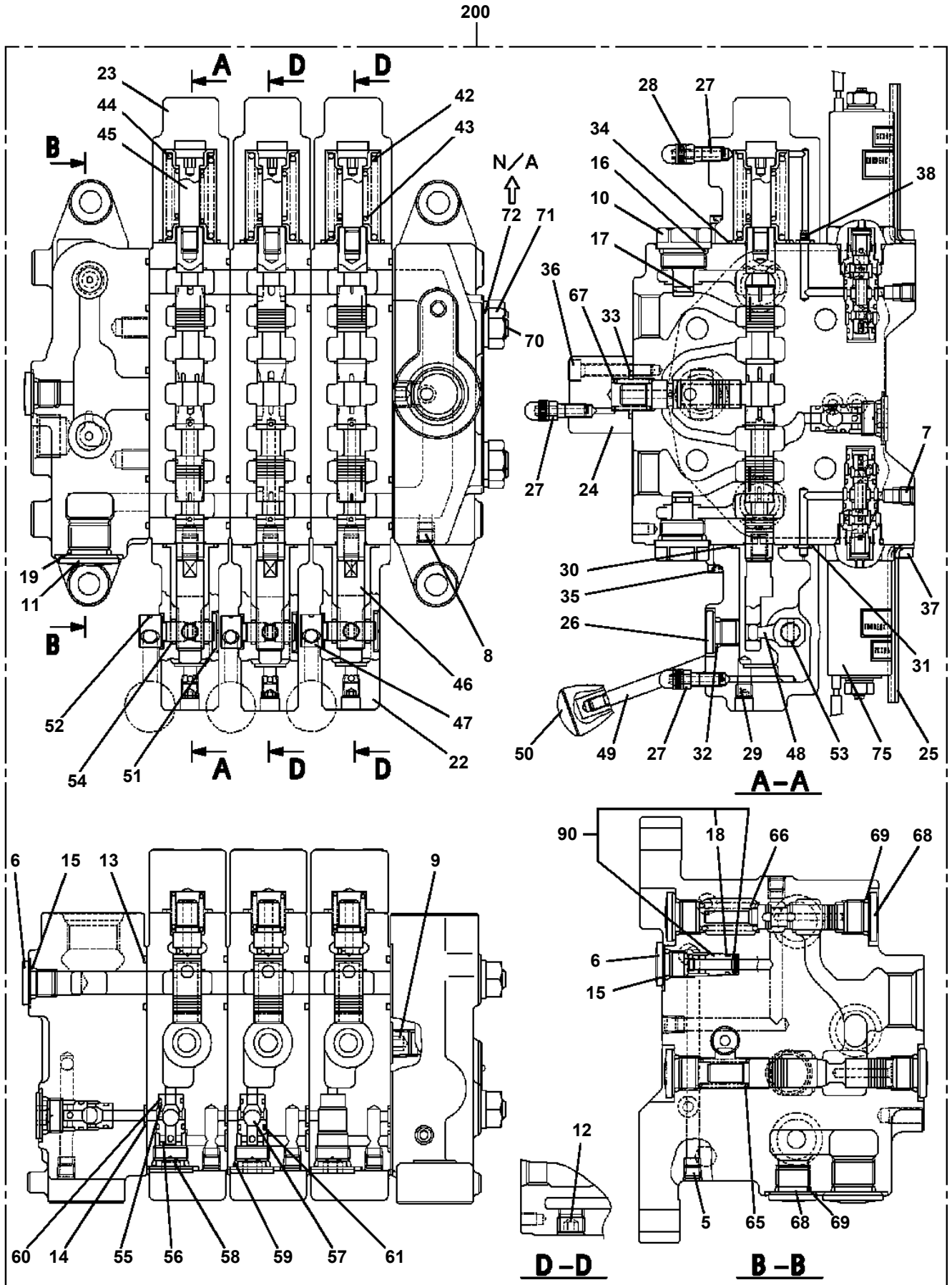


AT-100-4 42063442801 UPPER/LOWER, ISUZU SKG-NKR85AN-EE5AHY
 PS5530176-00 SWITCH ASSY

10



**AT-100-4 42063442801 UPPER/LOWER, ISUZU SKG-NKR85AN-EE5AHY
PV1020305-02 VALVE, REMOTE CONTROL**



AT-100-4 42063442801 UPPER/LOWER,ISUZU SKG-NKR85AN-EE5AHY

Pos No.	Parts No	Parts Name	Qty	Unit	Technical Data	Serial No (Start)	Serial No (End)	R
1	91002801400	O-RING	2		1B P14			
100	36606450000	VALVE ASSY,COUNTERBALANCE	1					

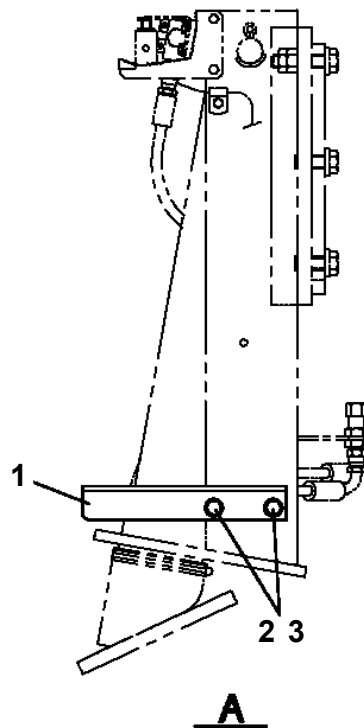
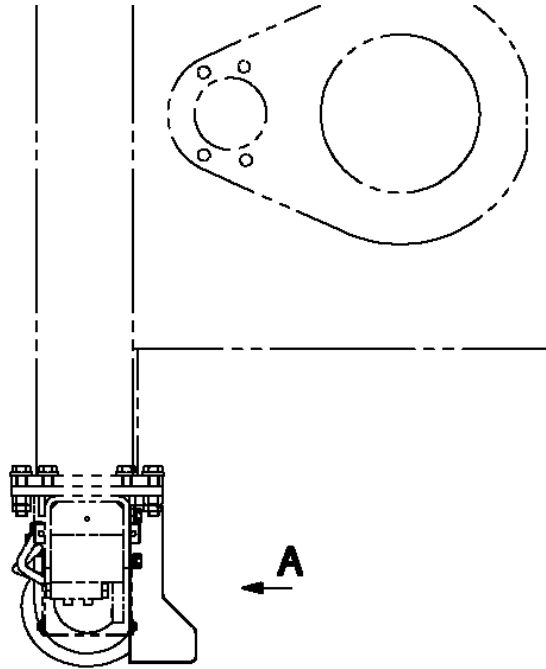
AT-100-4 42063442801 UPPER/LOWER,ISUZU SKG-NKR85AN-EE5AHY

Pos No.	Parts No	Parts Name	Qty	Unit	Technical Data	Serial No (Start)	Serial No (End)
1	42474440300	BLOCK,RUBBER (NAKAMURA)	4				
	42474440200	BLOCK,RUBBER (WAZUMI)	4				
2	42460012530	WEDGE (STOPPER FOR TIRE/WAZUMI)	4				HK0777
	42460012540	WEDGE (STOPPER FOR TIRE/NAKAMURA KIKI)	4				HK0777
	42460012550	WEDGE (STOPPER FOR TIRE/JUSTIN)	4				HK0777

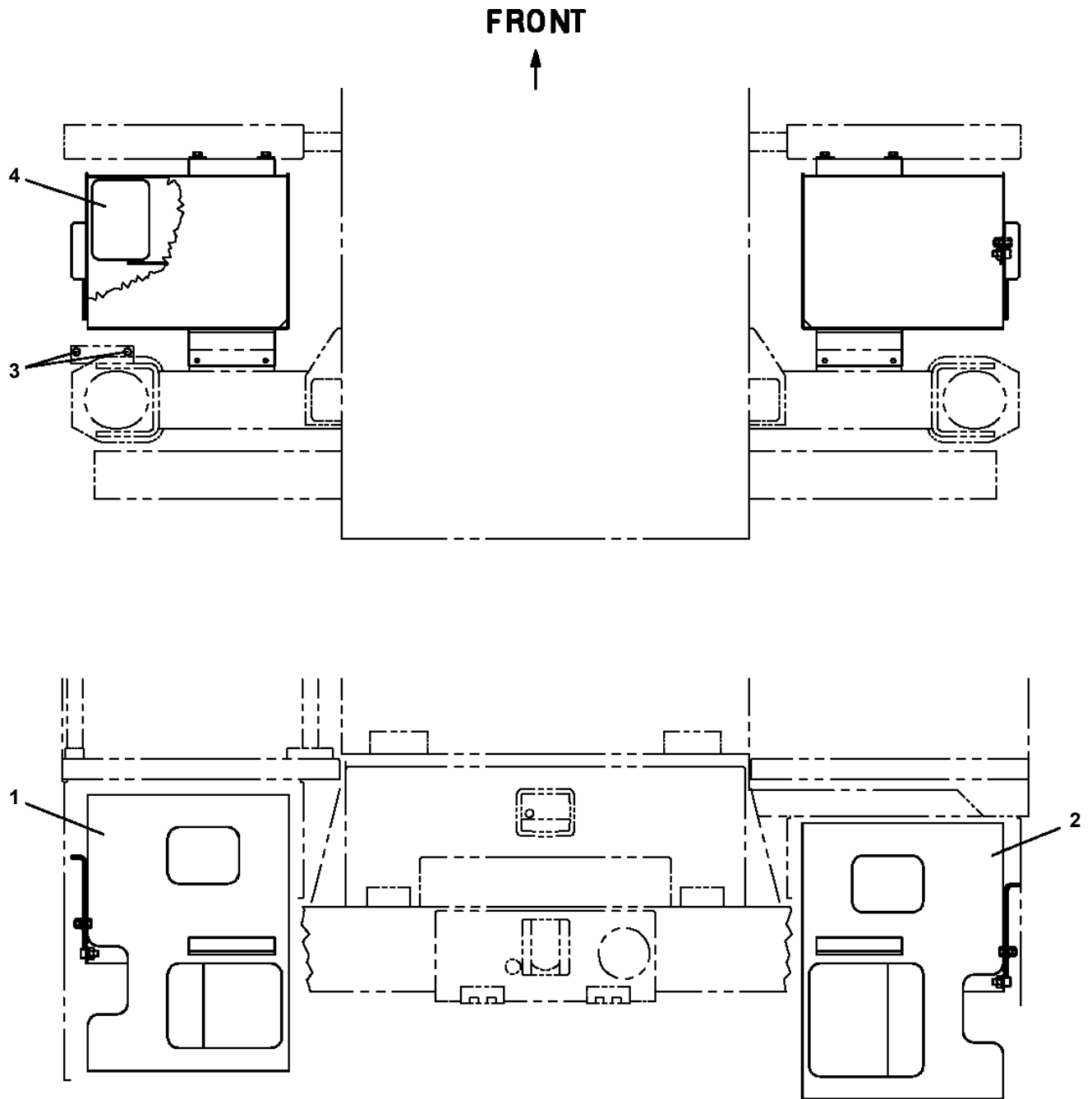
AT-100-4 42063442801 UPPER/LOWER,ISUZU SKG-NKR85AN-EE5AHY

Pos No.	Parts No	Parts Name	Qty	Unit	Technical Data	Serial No (Start)	Serial No (End)	Remarks	Pages
1	42461681000	WEDGE (YELLOW)	1						

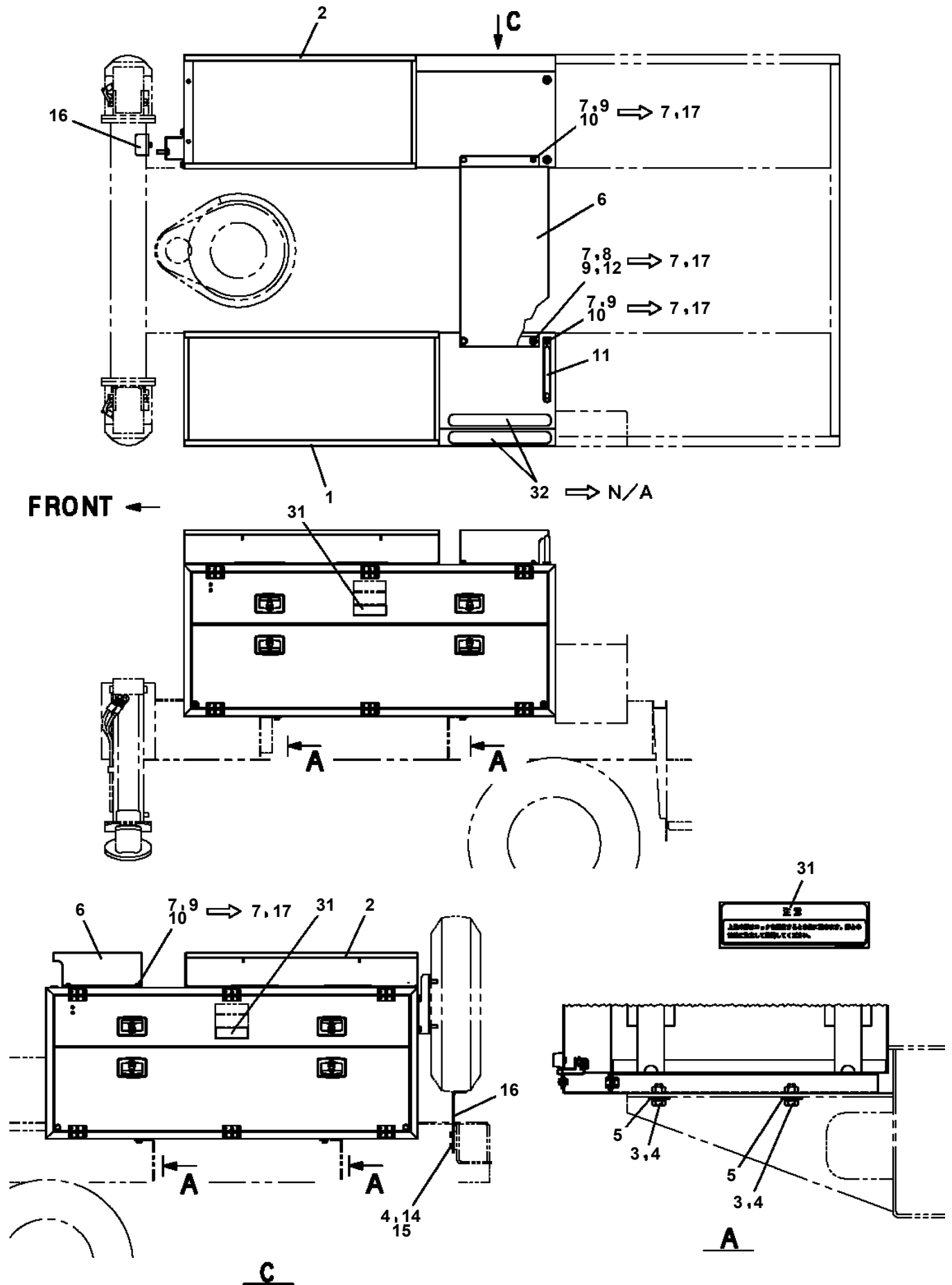
AT-100-4 42063442801 UPPER/LOWER,ISUZU SKG-NKR85AN-EE5AHY
PX1260232-00 STEP



AT-100-4 42063442801 UPPER/LOWER,ISUZU SKG-NKR85AN-EE5AHY
PX1270159-01 WOOD BLOCK



**AT-100-4 42063442801 UPPER/LOWER, ISUZU SKG-NKR85AN-EE5AHY
PX1351064-02 BOX, TOOL (LEFT & RIGHT, 2-DECK/2007)**



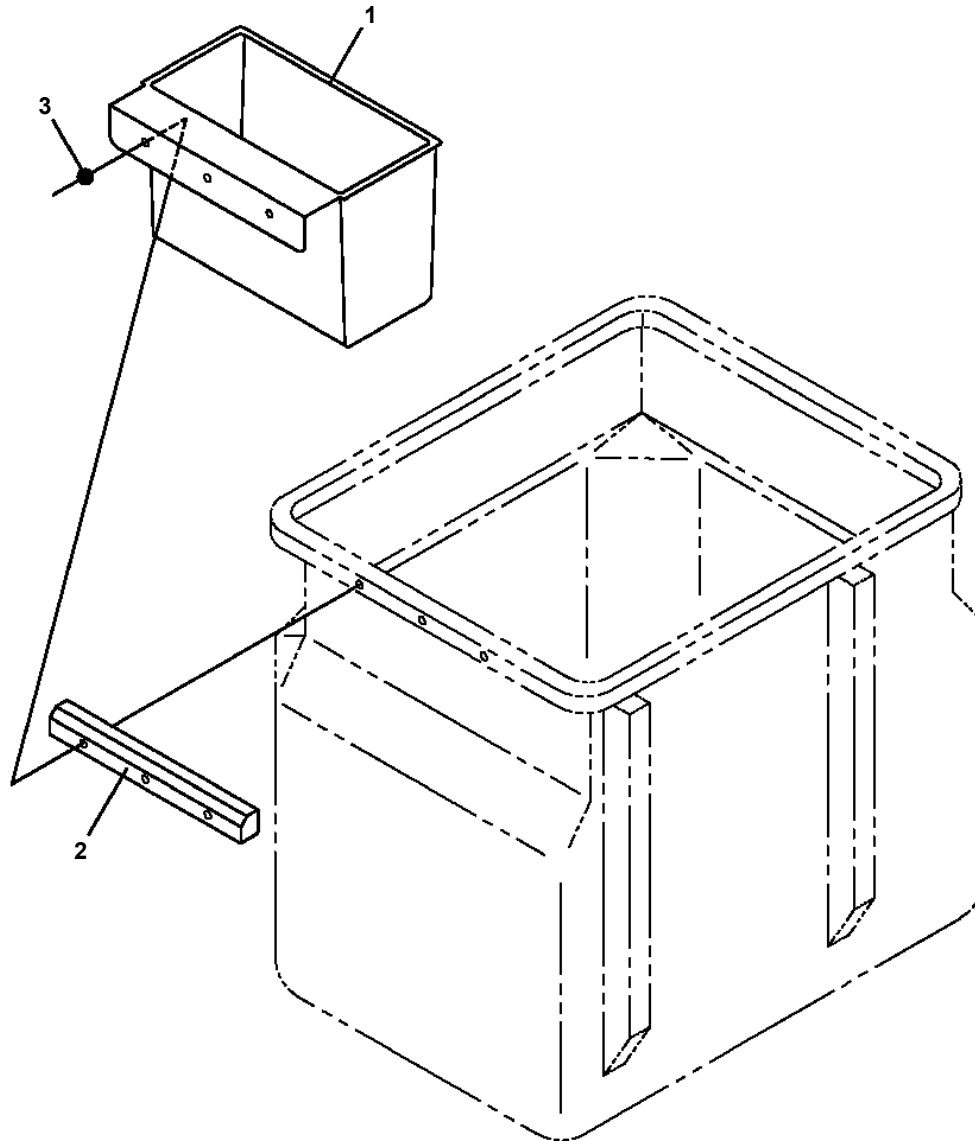
AT-100-4 42063442801 UPPER/LOWER,ISUZU SKG-NKR85AN-EE5AHY

Pos No.	Parts No	Parts Name	Qty	Unit	Technical Data	Serial No (Start)	Serial No (End)	Rem
3	42836077510	DOOR ASSY	1					
4	42835717720	GUIDE	1					
5	42835797580	PLUG (HOLE)	6					
6	42833077610	BUSH	17					
7	42835717740	PLATE	3					
8	42836077530	SEAT	1					
9	42836077580	SEAT	1					
10	42836077590	SUPPORT	1					
11	42836077600	SUPPORT	4					
12	42835867650	NUT (SPEED NUT)	2		M6			
13	42835367630	SCREW,MACHINE (WITH/W,SW)	2		M6X12			
14	99164408016	BOLT (M8X16,WITH WASHER)	14					
15	42836077540	STOPPER	1					
16	42835467840	SCREW,MACHINE (WITH W,SW)	2		M5X22			
17	42836077550	GROMMET	1					
18	42835717810	PACKING	1					
19	42835717700	SEAL ASSY	1					
20	42836077620	NUT	8					
21	42836077640	COVER (HARNESS)	1	M				
100	42836073002	BOX,TOOL	1					

AT-100-4 42063442801 UPPER/LOWER,ISUZU SKG-NKR85AN-EE5AHY

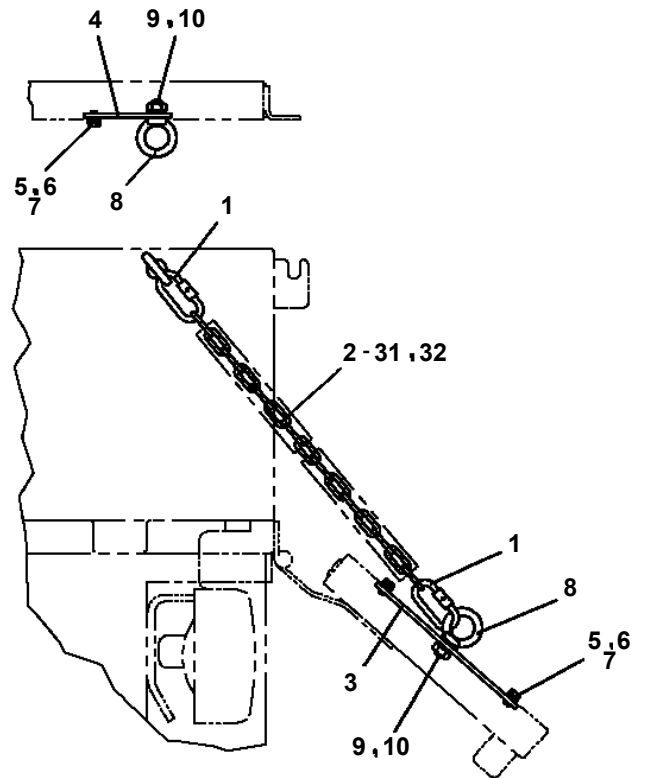
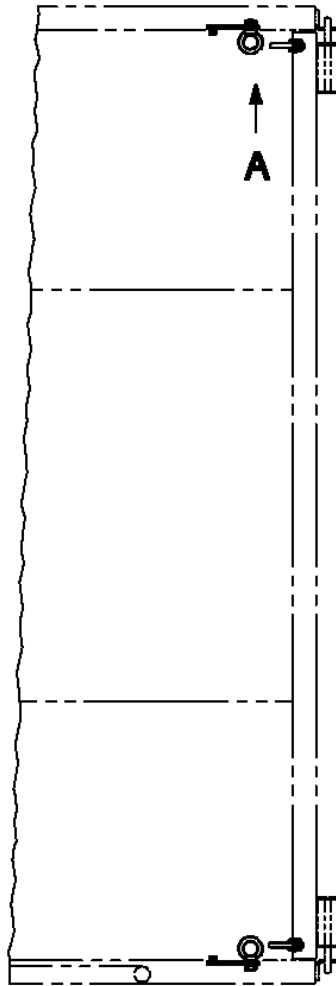
Pos No.	Parts No	Parts Name	Qty	Unit	Technical Data	Serial No (Start)	Serial No (End)	Re
2	42836147510	DOOR	1					
3	42833867750	HINGE	3					
4	42835357590	CATCH	2					
5	42836057520	WEATHER STRIP	1		L=3840			
6	82400000393	INSULATOR	2					
7	42835717570	SCREW,MACHINE (WITH SW)	18		M5X16			
8	42835717580	SCREW,MACHINE (WITH W,NUT)	2		M4X16			
9	42833077610	BUSH	14					
10	42835717720	GUIDE	1					
11	42835717810	PACKING	1					
12	42835797580	PLUG (HOLE)	4					
13	42835717590	PLATE	6					
14	42836147520	SEAT	1					
15	99163006012	BOLT	4		M6X12			
16	42836057550	PLATE	2					
17	42836037550	WASHER,TOOTH	4		M10			
100	42836143001	BOX,TOOL	1					

**AT-100-4 42063442801 UPPER/LOWER,ISUZU SKG-NKR85AN-EE5AHY
PX1351247-00 BOX,TOOL (BUCKET)**



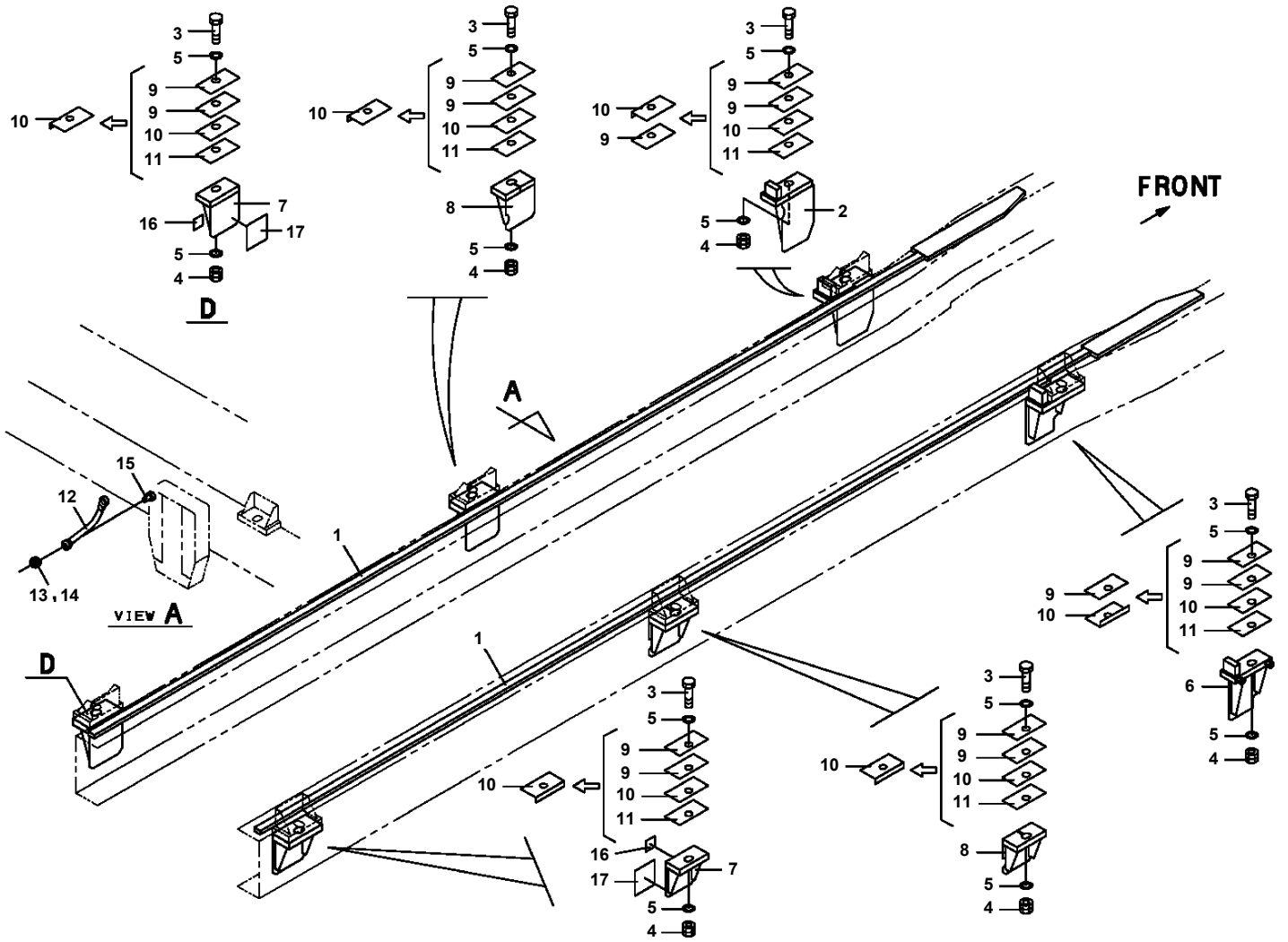
AT-100-4 42063442801 UPPER/LOWER, ISUZU SKG-NKR85AN-EE5AHY
PX1940379-00 MOUNT (CHAIN FOR TRUCK BED)

FRONT ←

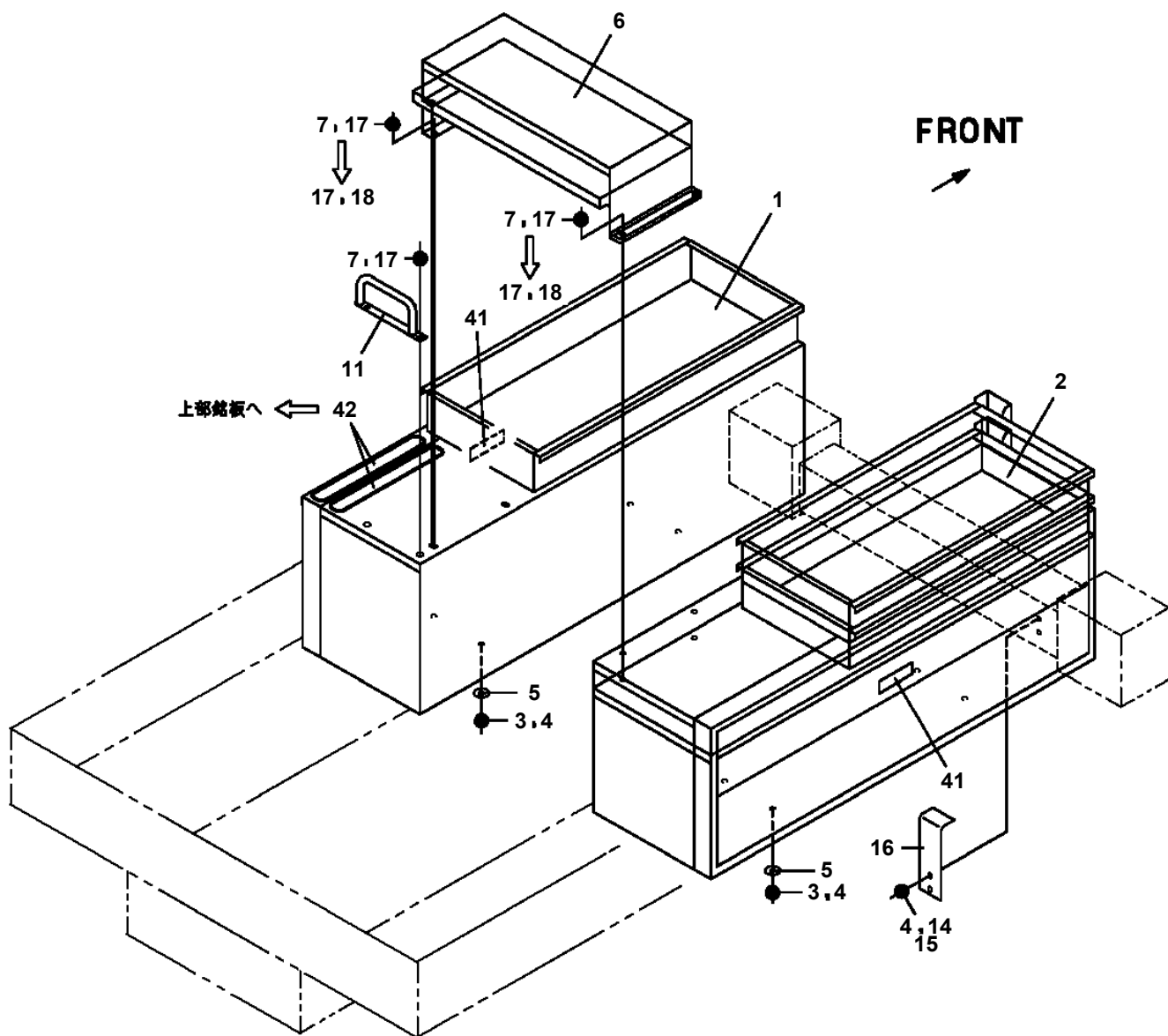


A
アオリを倒した場合

**AT-100-4 42063442801 UPPER/LOWER,ISUZU SKG-NKR85AN-EE5AHY
PX5360048-01 MOUNT ASSY,FRAME**



AT-100-4 42063442801 UPPER/LOWER,ISUZU SKG-NKR85AN-EE5AHY
 PX5780030-00 MOUNT ASSY,TOOL BOX (LEFT & RIGHT,2-DECK,LOCK/2010)

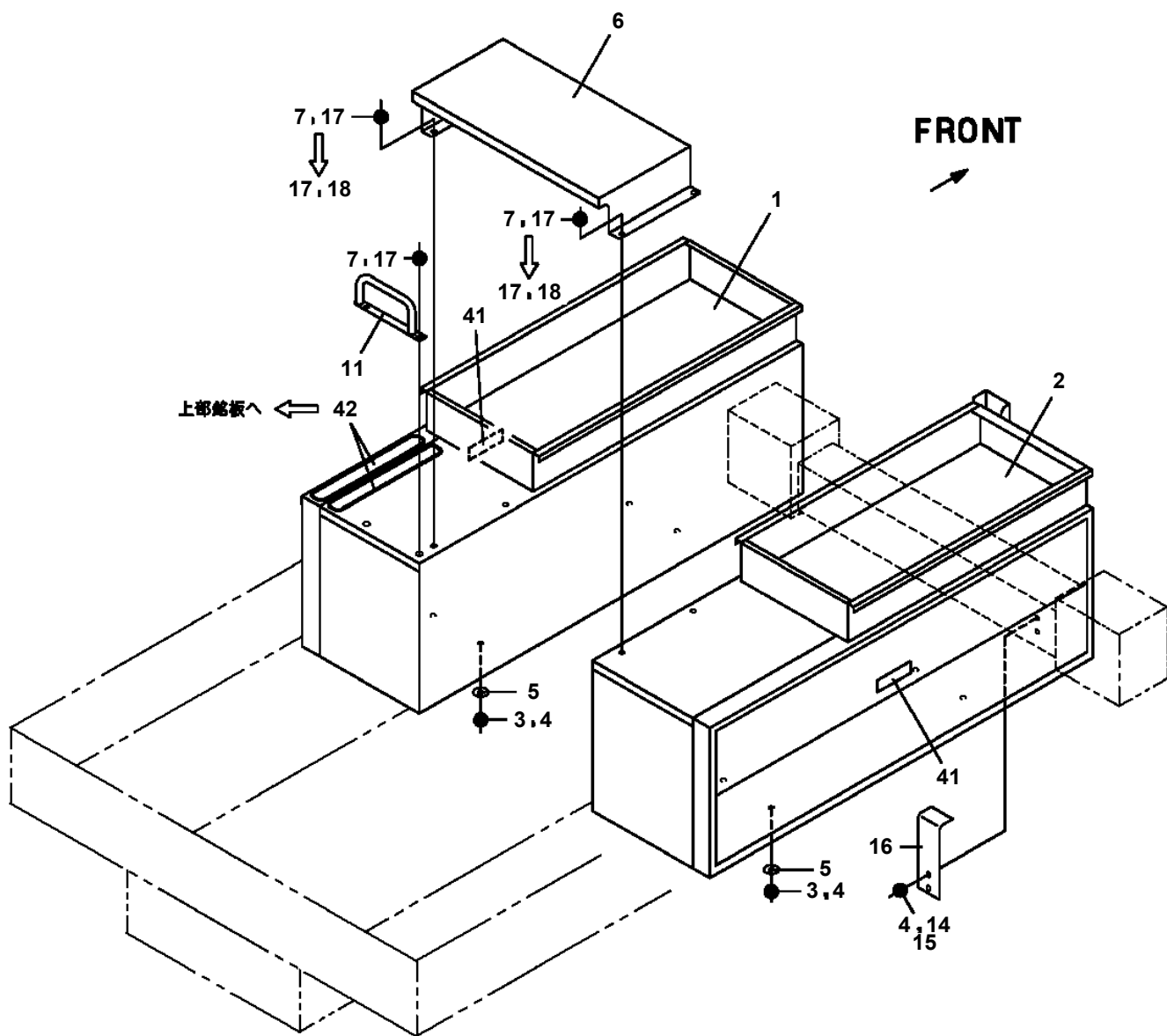


41

注意

上段の扉はロックを開放すると自然に開きます。取との
 接触に注意して閉鎖してください。

AT-100-4 42063442801 UPPER/LOWER,ISUZU SKG-NKR85AN-EE5AHY
 PX5780035-00 MOUNT ASSY,TOOL BOX (LEFT SLIDE,RIGHT DOUBLE,LOCK/2010)



41

注意

上段の扉はロックを開放すると自然に閉じます。取との
 接触に注意して閉閉してください。

AT-100-4 42063442801 UPPER/LOWER,ISUZU SKG-NKR85AN-EE5AHY

Pos No.	Parts No	Parts Name	Qty	Unit	Technical Data	Serial No (Start)	Serial No (End)	R
1	42470050000	ROPE (SAFETY,1.5M,WITH HOOK)	1					

AT-100-4 42063442801 UPPER/LOWER,ISUZU SKG-NKR85AN-EE5AHY

Pos No.	Parts No	Parts Name	Qty	Unit	Technical Data	Serial No (Start)	Serial No (End)	Rem
1	42474440300	BLOCK,RUBBER (NAKAMURA)	1					

CLICK HERE TO **DOWNLOAD** THE COMPLETE MANUAL

- Thank you very much for reading the preview of the manual.
- You can download the complete manual from: www.heydownloads.com by clicking the link below



- Please note: If there is no response to CLICKING the link, please download this PDF first and then click on it.

CLICK HERE TO **DOWNLOAD** THE COMPLETE MANUAL