

AT-100-4 42063400098 UPPER

PD2000197-00 SWING UNIT

PG2000256-01 BOOM UNIT

PH1000550-00 SAFETY DEVICES (MOTION CONTROLLER)

PJ3000499-00 BUCKET SYSTEM

PK2000920-01 FRAME UNIT

PO1000149-00 INDICATION PLATES

PY1001267-01 OPTIONS

ASSEMBLY

CLICK HERE TO **DOWNLOAD** THE COMPLETE MANUAL

- Thank you very much for reading the preview of the manual.
- You can download the complete manual from: www.heydownloads.com by clicking the link below



- Please note: If there is no response to CLICKING the link, please download this PDF first and then click on it.

CLICK HERE TO **DOWNLOAD** THE COMPLETE MANUAL

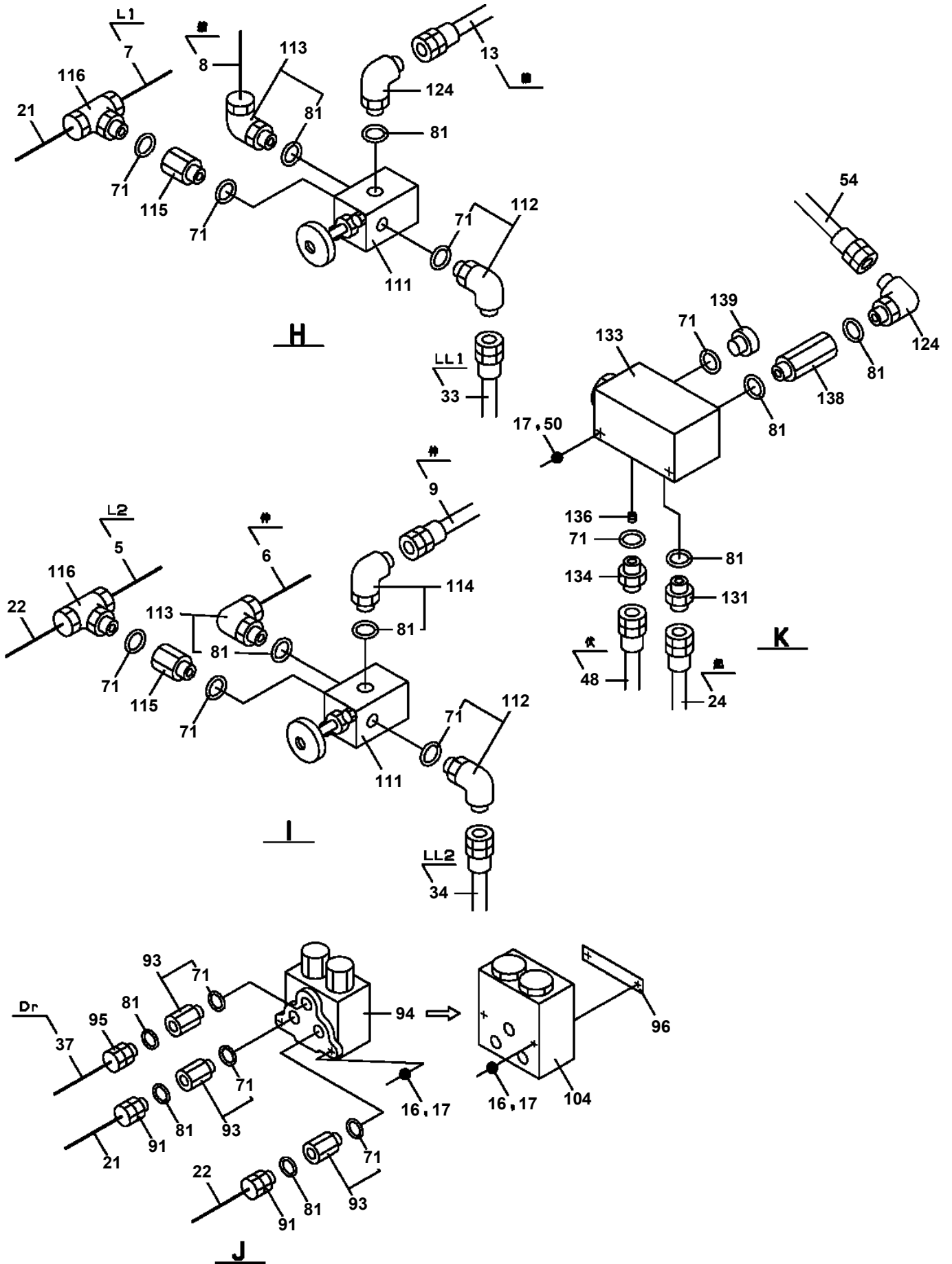
AT-100-4 42063400098 UPPER

| Pos No. | Parts No | Parts Name | Qty | Unit | Technical Data | Serial No (Start) | Serial No (End) | Rem |
|---------|----------|----------------------------|-----|------|----------------|-------------------|-----------------|-----|
| 1 | (*****) | OPE.ASSY,CONT.VALVE | 1 | | | | | |
| 2 | (*****) | PIPING (FRAME) | 1 | | | | | |
| 3 | (*****) | ELEC.ASSY (FRAME) | 1 | | | | | |
| 4 | (*****) | ELEC.ASSY (LOWER CONTROLS) | 1 | | | | | |
| 5 | (*****) | COVER,BEARING | 1 | | | | | |

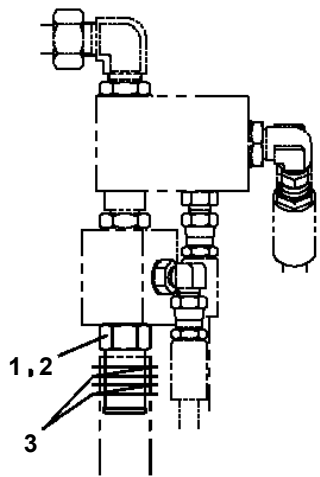
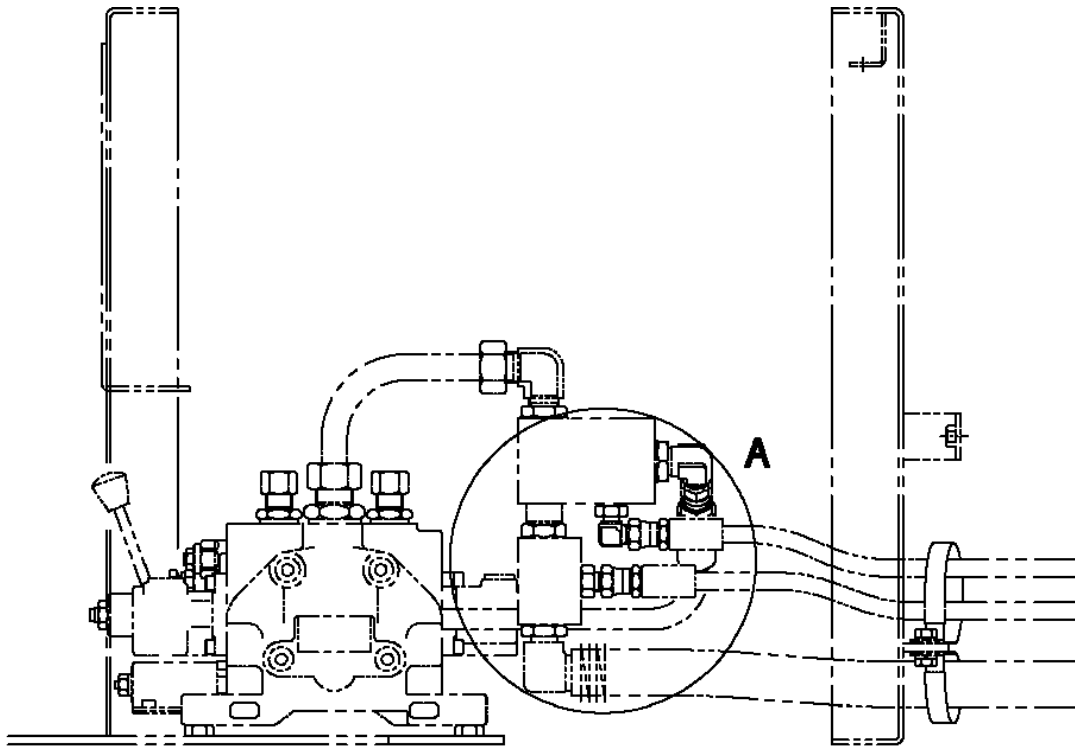
AT-100-4 42063400098 UPPER

| Pos No. | Parts No | Parts Name | Qty | Unit | Technical Data | Serial No (Start) | Serial No (End) | Remarks | Pages |
|---------|-------------|---------------|-----|------|----------------|-------------------|-----------------|---------|--------|
| 1 | 42442801000 | JOINT,ROTARY | 1 | | | | | | 000011 |
| 3 | 90171112028 | BOLT | 2 | | M12X28 | | | | |
| 4 | 90302041201 | WASHER,SPRING | 2 | | 12 | | | | |
| 5 | 42442800100 | PLATE | 1 | | | | | | |
| | | | | | | | | | |

**AT-100-4 42063400098 UPPER
PB1400410-04 PIPING,UPPER**



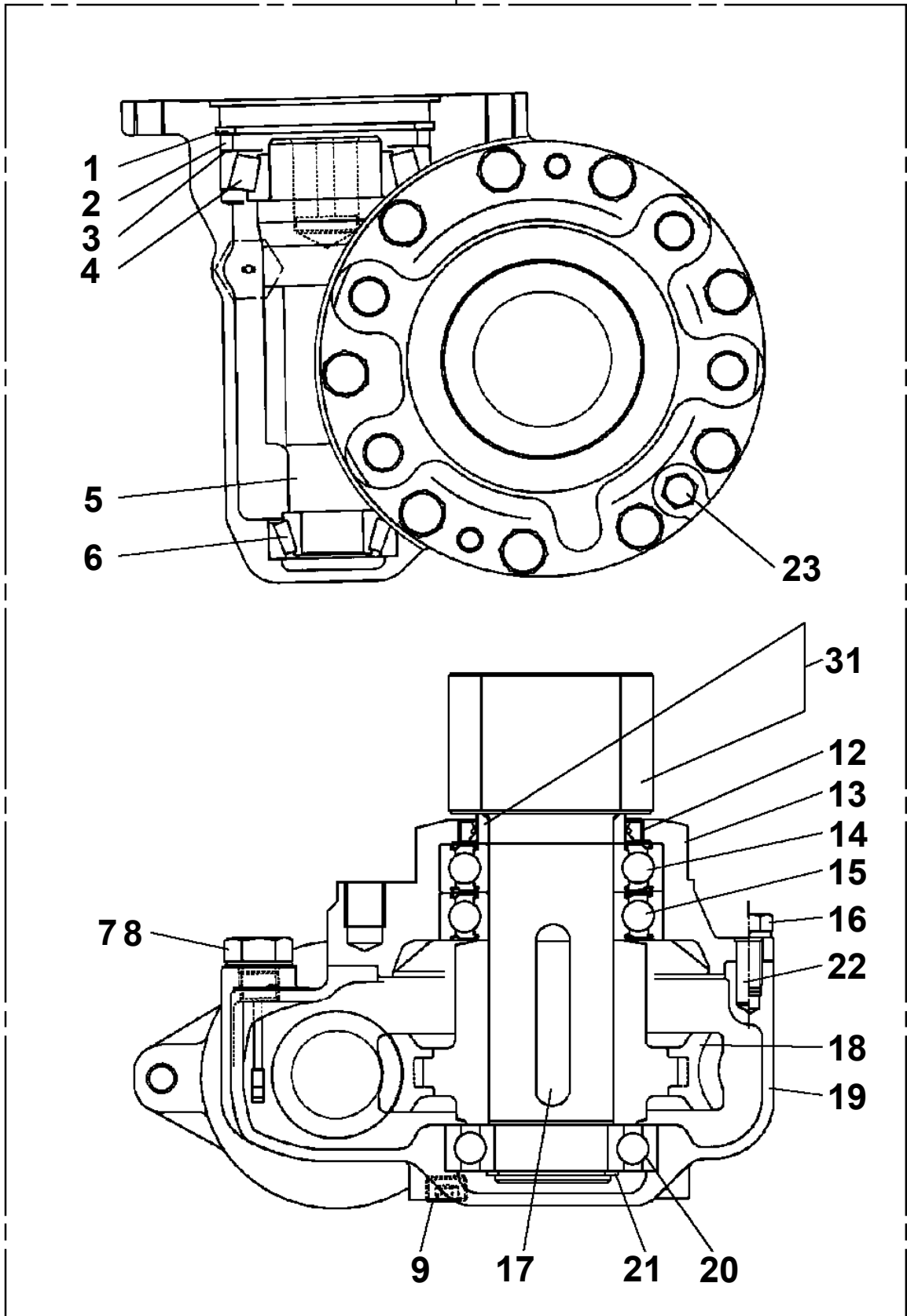
AT-100-4 42063400098 UPPER
PB1910174-00 PIPING



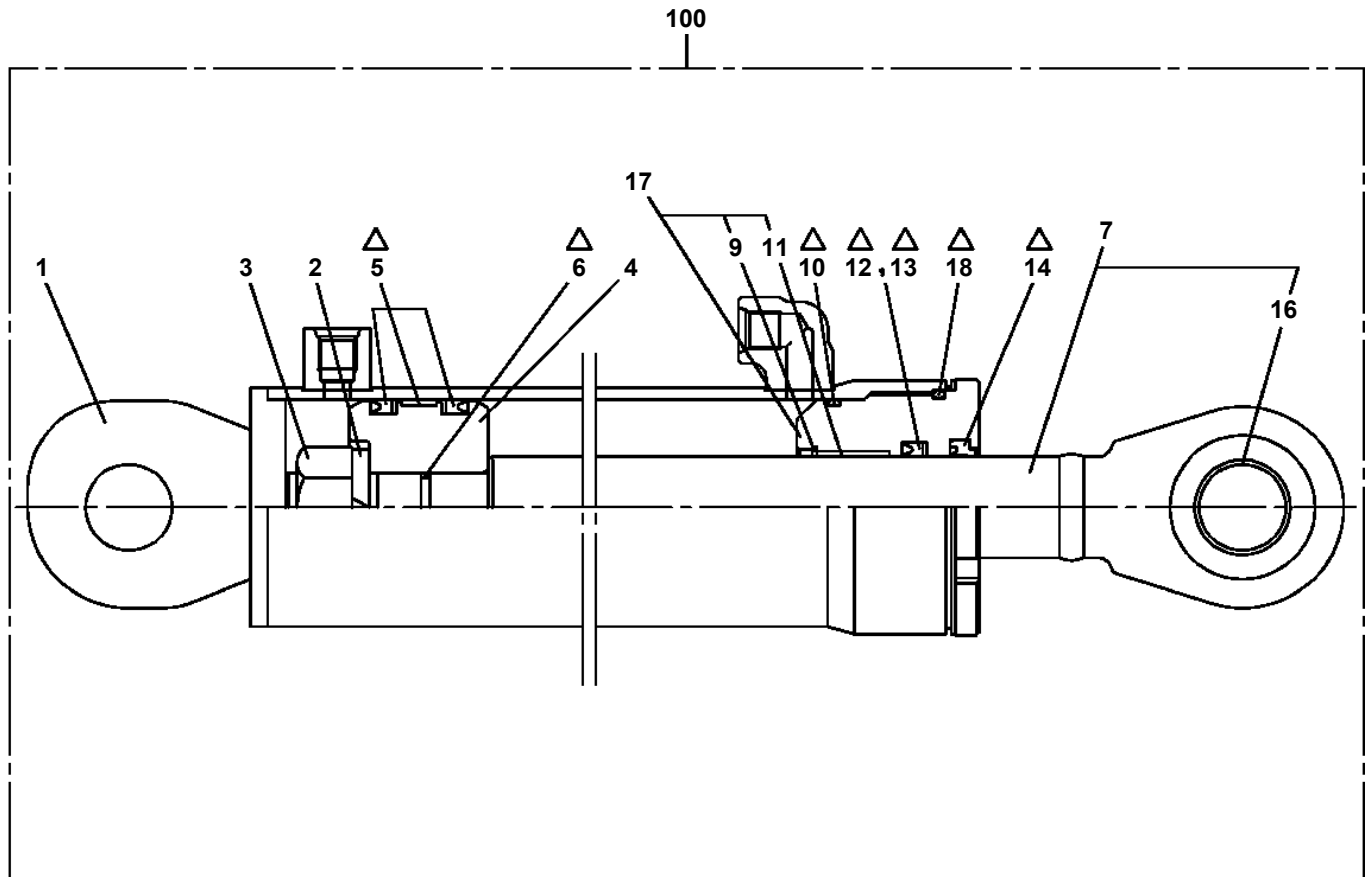
A
ホースを下面に出す場合

AT-100-4 42063400098 UPPER
PD1010172-00 REDUCER, SWING SPEED

50

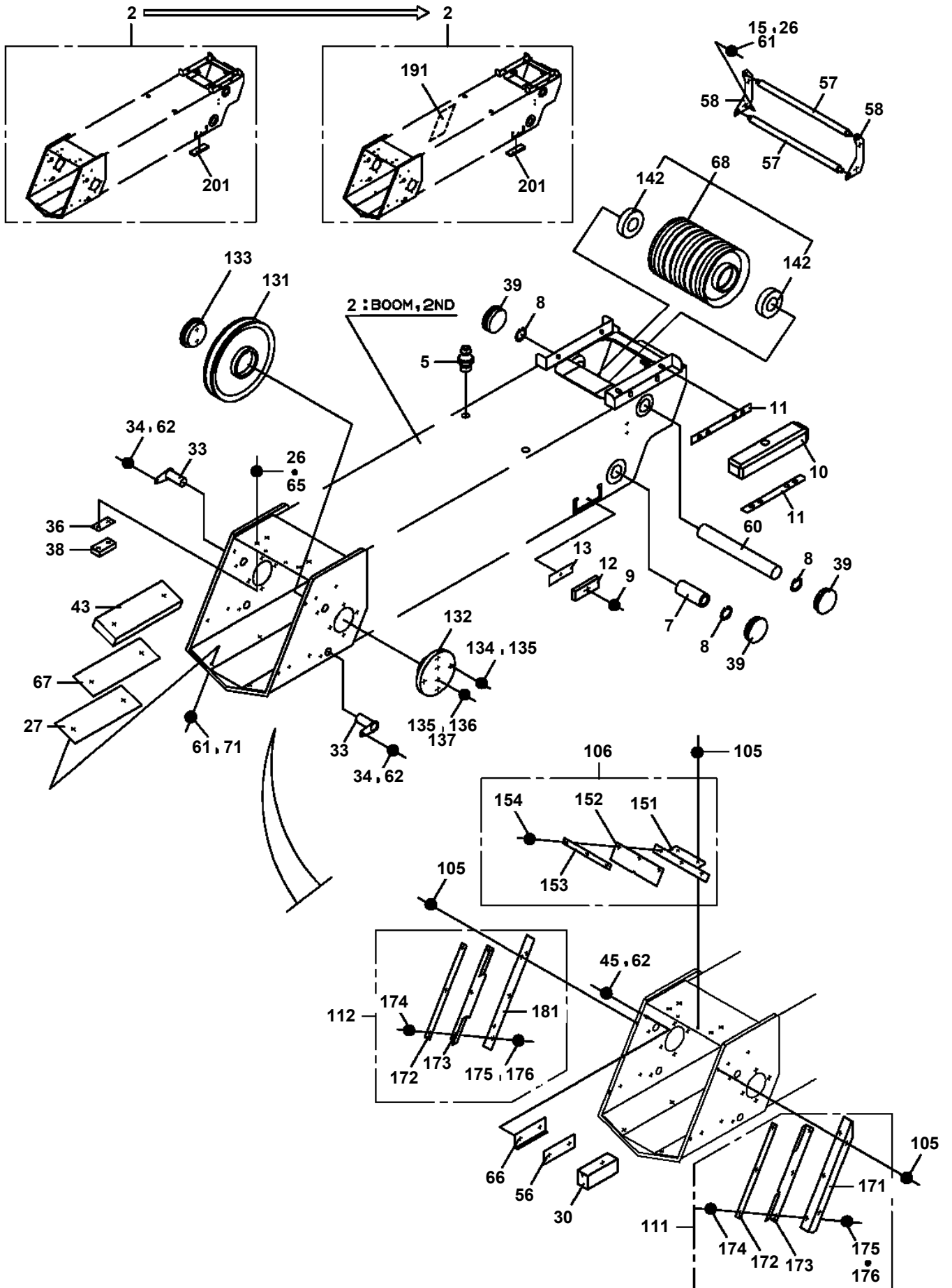


AT-100-4 42063400098 UPPER
PE1050139-02 CYLINDER,LEVELING (LOWER)

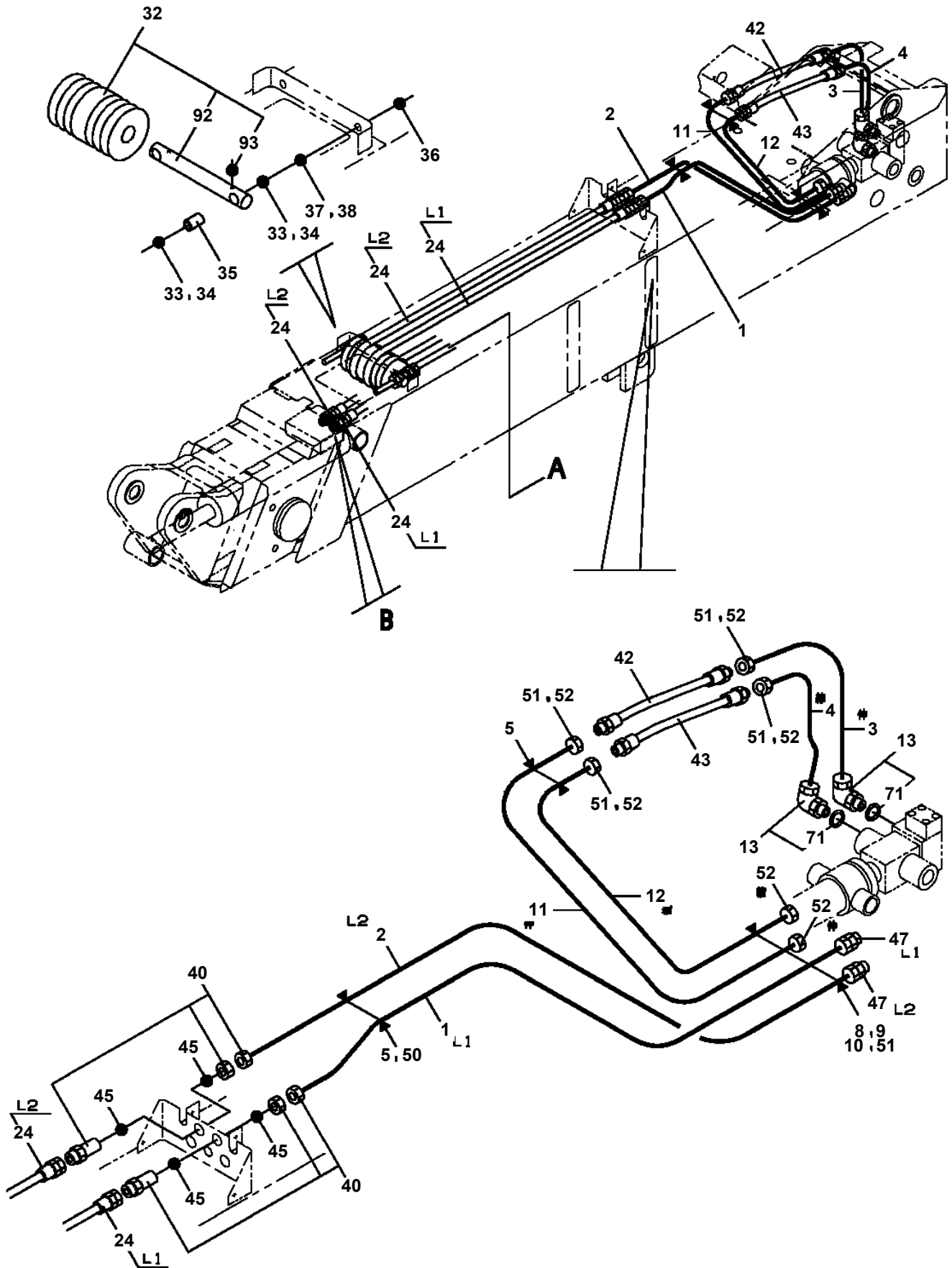


△:PACKING SET KEY NO.41 (KEY NO.5,6,10,12,13,14,18)

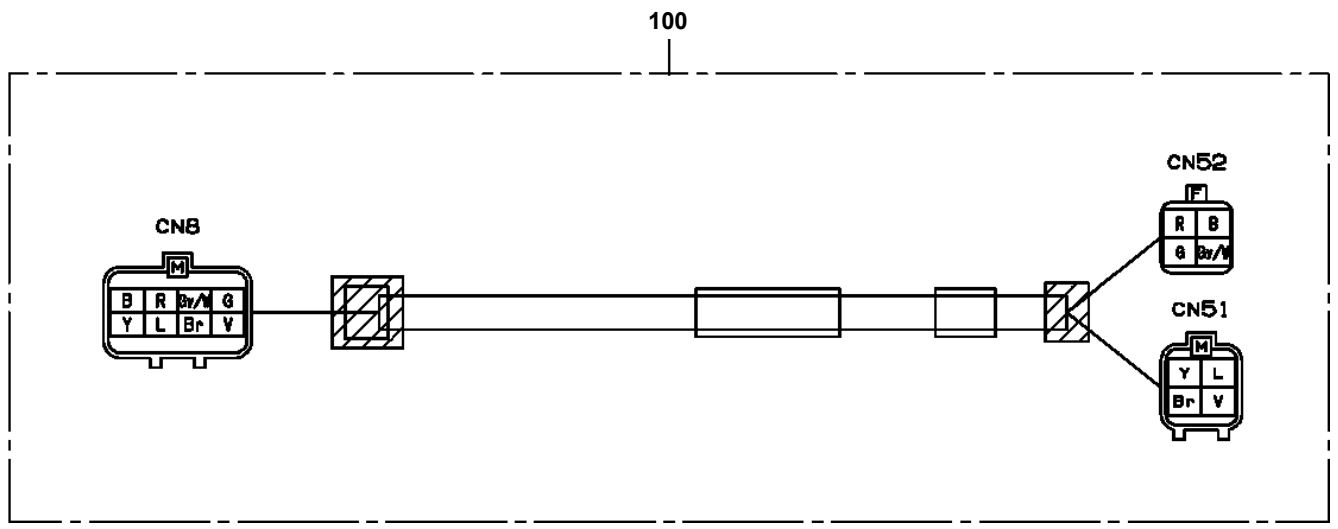
**AT-100-4 42063400098 UPPER
PG1010995-03 BOOM**



**AT-100-4 42063400098 UPPER
PG1220145-00 PIPING,BOOM**



AT-100-4 42063400098 UPPER
PH5030974-00 HARNESS



CLICK HERE TO **DOWNLOAD** THE COMPLETE MANUAL

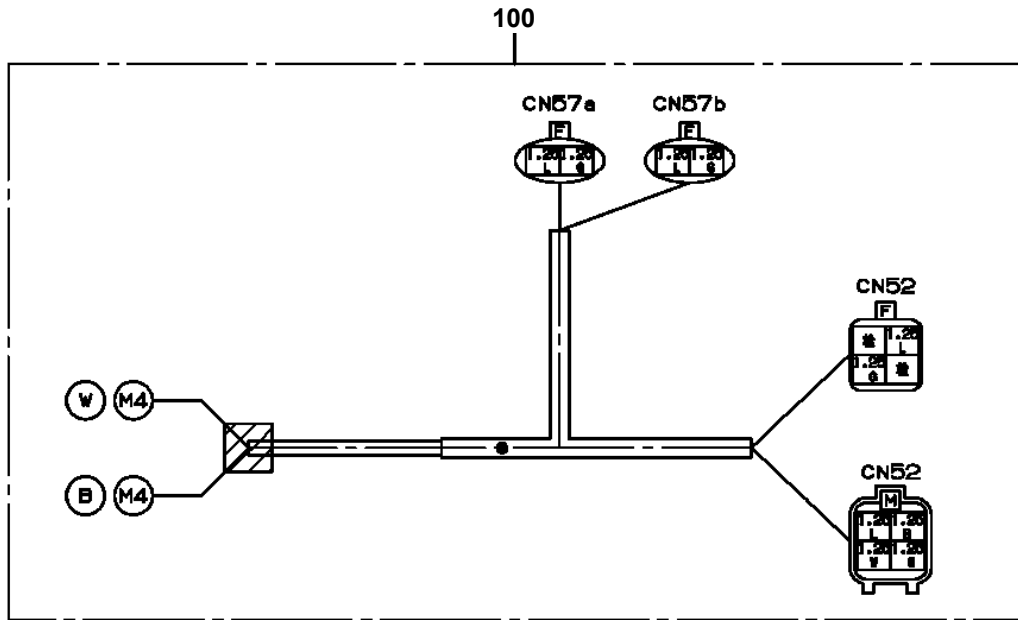
- Thank you very much for reading the preview of the manual.
- You can download the complete manual from: www.heydownloads.com by clicking the link below



- Please note: If there is no response to CLICKING the link, please download this PDF first and then click on it.

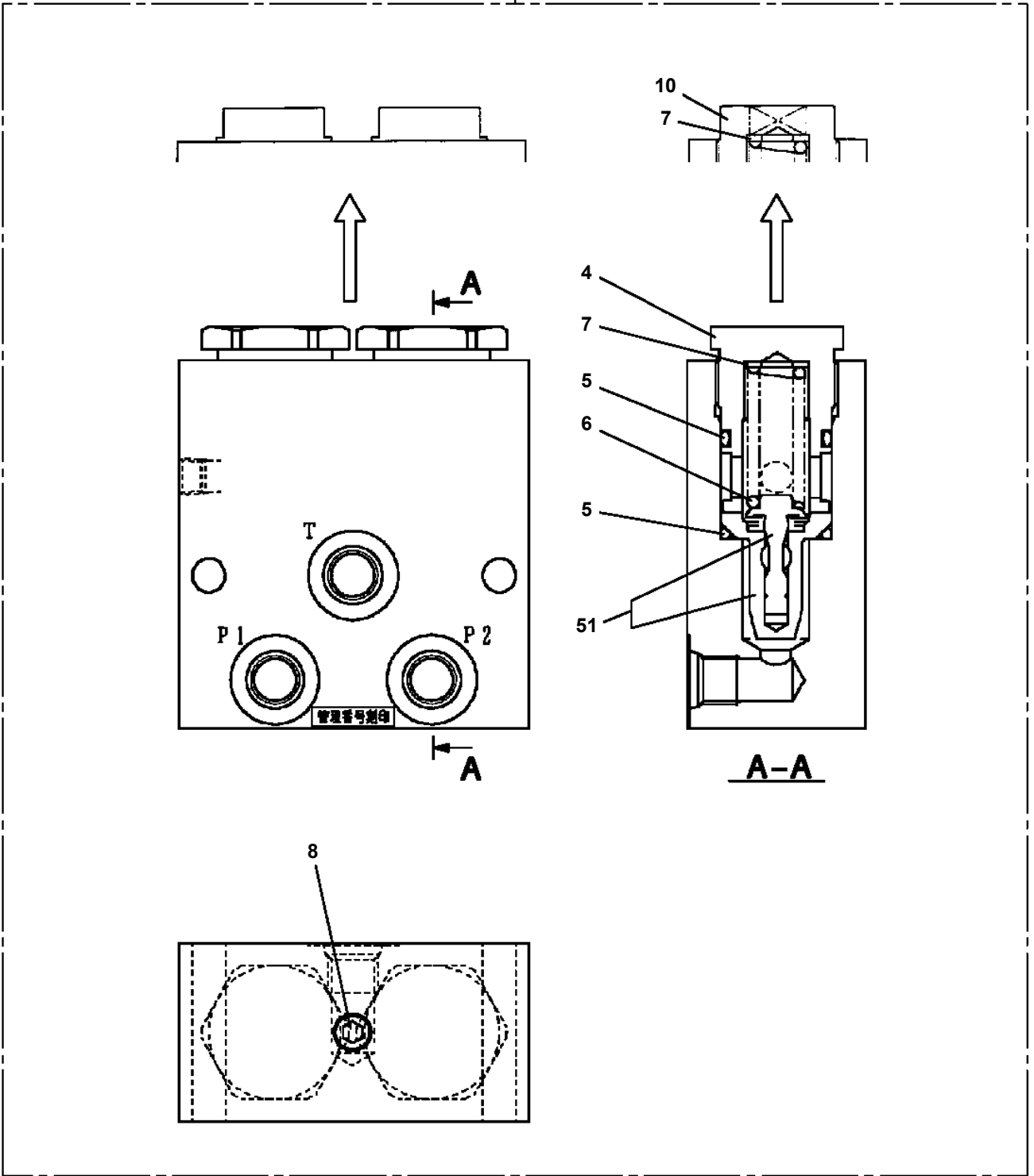
CLICK HERE TO **DOWNLOAD** THE COMPLETE MANUAL

AT-100-4 42063400098 UPPER
PH5032673-00 HARNESS



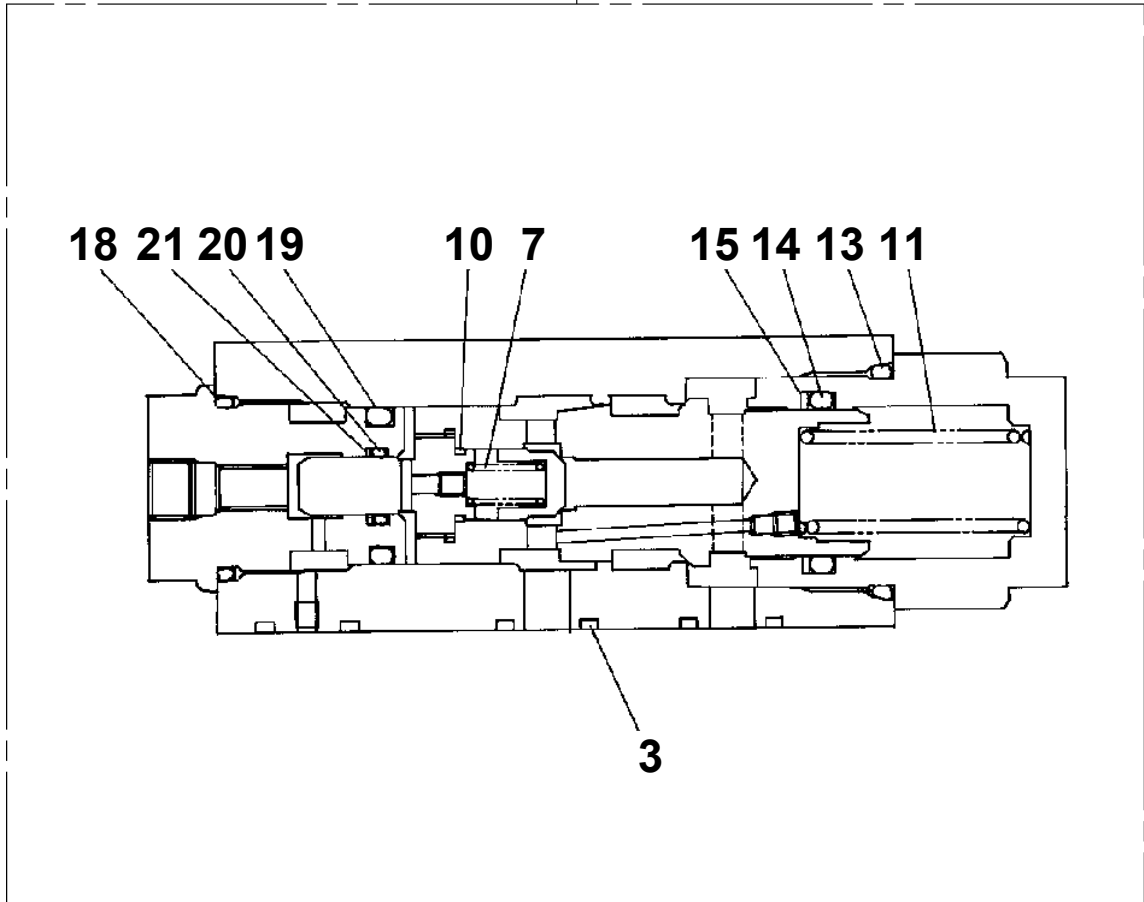
AT-100-4 42063400098 UPPER
PI1100132-01 VALVE,RELIEF

100



**AT-100-4 42063400098 UPPER
PI1250141-00 VALVE,COUNTERBALANCE**

50



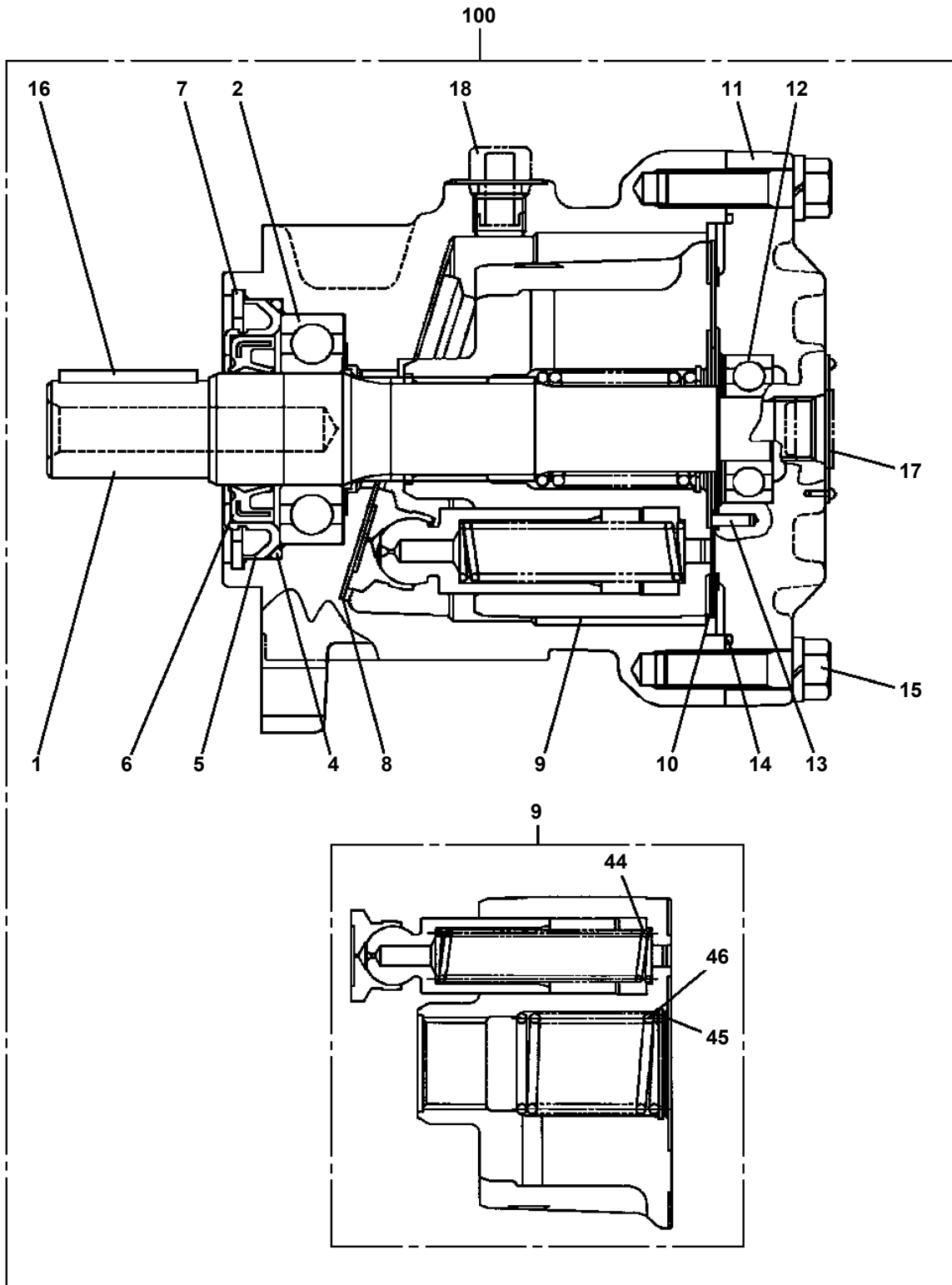
AT-100-4 4206340098 UPPER

| Pos No. | Parts No | Parts Name | Qty | Unit | Technical Data | Serial No (Start) | Serial No (End) | Remarks | Pages |
|---------|-------------|----------------|-----|------|----------------|-------------------|-----------------|---------|-------|
| 1 | 42232101000 | TABLE,SLEWING | 1 | | | | | | |
| 2 | 37000558530 | PLATE | 2 | | T=9 | | | | |
| 3 | 90174110020 | BOLT | 6 | | M10X20 | | | | |
| 4 | 90302041001 | WASHER,SPRING | 6 | | 10 | | | | |
| 5 | 82455106000 | NIPPLE,GREASE | 1 | | A-M6F FE | | | | |
| 6 | 82400000459 | CAP | 1 | | | | | | |
| 8 | 37000187110 | PIN | 1 | | | | | | |
| 9 | 37000535670 | PLATE | 1 | | T=9 | | | | |
| 10 | 90171120035 | BOLT | 1 | | M20X35 | | | | |
| 11 | 90302042001 | WASHER,SPRING | 1 | | 20 | | | | |
| 12 | 37000159250 | PIN | 1 | | | | | | |
| 13 | 42231960010 | PLATE | 1 | | T=9 | | | | |
| 14 | 37000148780 | PIN | 1 | | | | | | |
| 16 | 80801003025 | BEARING,PLAIN | 1 | | | | | | |
| 17 | 82401800120 | PLUG (FOR M12) | 4 | | | | 219661 | | |

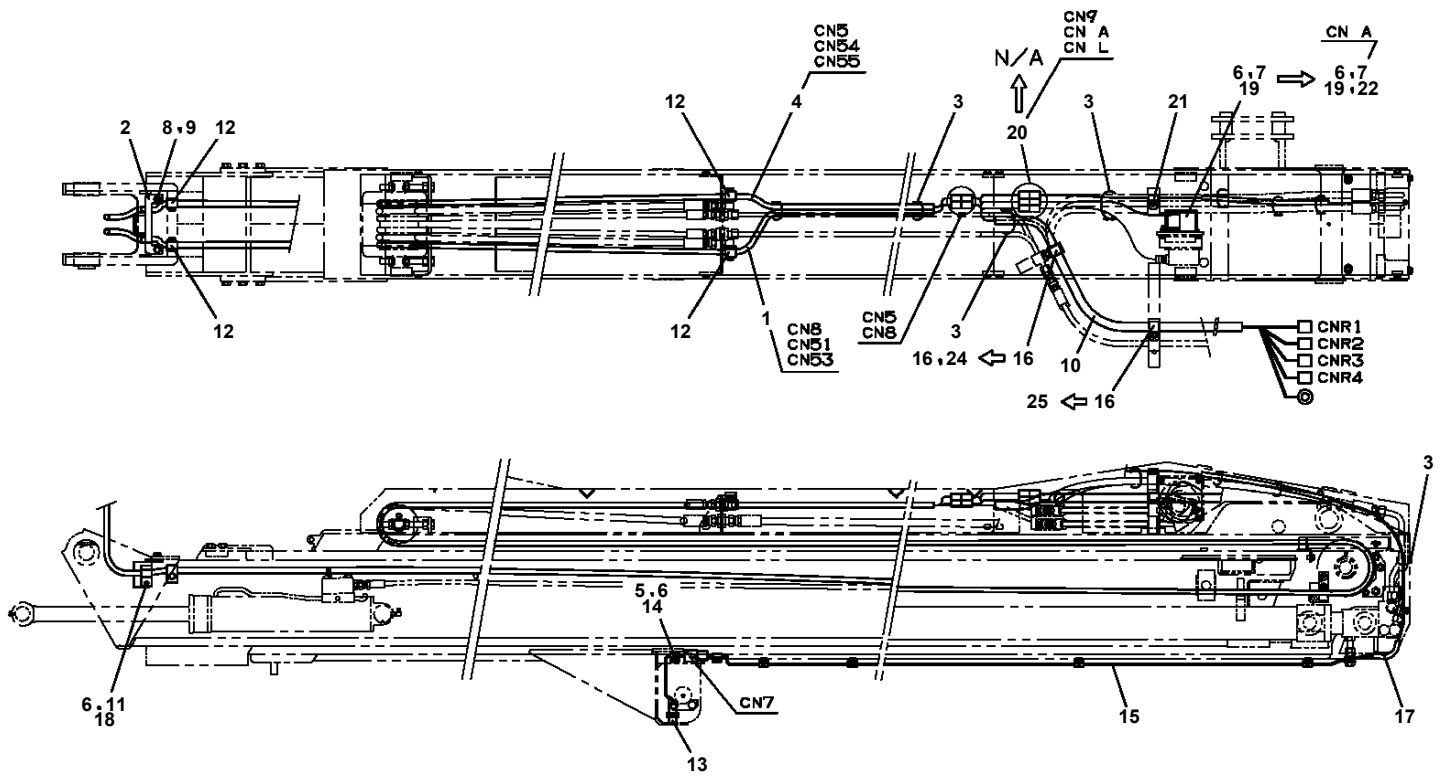
AT-100-4 42063400098 UPPER

| Pos No. | Parts No | Parts Name | Qty | Unit | Technical Data | Serial No (Start) | Serial No (End) | Remarks | Pages |
|---------|-------------|--------------|-----|------|----------------|-------------------|-----------------|---------|-------|
| 1 | 42443190200 | COVER | 1 | | | | | | |
| 2 | 42443270200 | COVER | 1 | | | | | | |
| 3 | 42443270300 | COVER | 1 | | | | | | |
| 4 | 90186208014 | BOLT,FLANGE | 13 | | M8X14 | | | | |
| 5 | 90303070801 | WASHER,PLAIN | 13 | | 8 | | | | |
| 6 | 82100000952 | GROMMET | 5 | | | | | | |
| 23 | 82400000200 | GROMMET | 1 | | KG-012,L=250 | | HK0055 | | |

AT-100-4 42063400098 UPPER
PM5230001-01 MOTOR,OIL



**AT-100-4 42063400098 UPPER
PN1014545-02 ELEC.ASSY (BOOM/ANGLE)**



AT-100-4 4206340098 UPPER

| Pos No. | Parts No | Parts Name | Qty | Unit | Technical Data | Serial No (Start) | Serial No (End) | Remarks | Pages |
|---------|-------------|---------------|-----|------|----------------|-------------------|-----------------|---------|-------|
| 1 | 42502381100 | LAMP ASSY | 2 | | | | | | |
| 2 | 42501070100 | SUPPORT | 1 | | | | | | |
| 3 | 42502381200 | HARNESS | 1 | | | | | | 00004 |
| 4 | 90813108020 | BOLT,WING | 1 | | M8X20 | | | | |
| 5 | 90101208016 | BOLT | 2 | | M8X16 | | | | |
| 6 | 90302040801 | WASHER,SPRING | 2 | | 8 | | | | |
| 7 | 90201200600 | NUT | 2 | | M6 | | | | |
| 8 | 90302040601 | WASHER,SPRING | 2 | | 6 | | | | |
| 9 | 82100002006 | CLAMP | 1 | | WR10 | | | | |
| 10 | 91810130240 | FASTENER | N | | | | | | |
| 11 | 82119422100 | CONNECTOR | 1 | | | | | | |
| 12 | 80175304016 | SCREW,MACHINE | 2 | | M4X16 | | | | |
| 13 | 42477640080 | PLATE,NAME | 1 | | | | | | |
| 14 | 42501541010 | INSULATOR | 1 | | | | HK0096 | | |
| 17 | 82100002035 | CLAMP | 1 | | WE8 | | | | |
| 18 | 42502381300 | SUPPORT | 1 | | | | | | |
| 19 | 42501791000 | SUPPORT ASSY | 1 | | | | | | |
| 20 | 82100001823 | FASTENER | 1 | | | | | | |
| 41 | 82199100032 | LAMP | 2 | | | | | | |
| 42 | 90101212020 | BOLT | 2 | | M12X20 | | | | |
| 43 | 90302041201 | WASHER,SPRING | 2 | | 12 | | | | |
| 44 | 37000179070 | PIN | 2 | | | | | | |
| 51 | 42501692100 | SUPPORT | 1 | | | | | | |
| 52 | 42501791100 | SUPPORT | 1 | | | | | | |
| 53 | 82430138010 | KNOB | 2 | | | | | | |
| 54 | 90813110016 | BOLT,WING | 1 | | | | | | |
| 55 | 90101208030 | BOLT | 2 | | M8X30 | | | | |
| 56 | 90303070801 | WASHER,PLAIN | 2 | | 8 | | | | |
| 57 | 37000506550 | PLATE | 2 | | T=1.6 | | | | |
| 58 | 90302040801 | WASHER,SPRING | 2 | | 8 | | | | |
| 61 | 82100002850 | LENS | 2 | | | | | | |
| 62 | 82100005003 | BULB,LAMP | 2 | | 24V 55W ÊÙ'þÝ | | | | |

AT-100-4 42063400098 UPPER

| Pos No. | Parts No | Parts Name | Qty | Unit | Technical Data | Serial No (Start) | Serial No (End) | Remarks |
|---------|-------------|-----------------------|-----|------|----------------|-------------------|-----------------|---------|
| 1 | 82114102020 | CONNECTOR | 1 | | | | | |
| 2 | 82121102020 | HOLDER | 1 | | | | | |
| 3 | 82111101520 | TERMINAL | 12 | | | | | |
| 4 | 82121101125 | PLUG (AVS1.25) | 12 | | | | | |
| 5 | 82114102120 | CONNECTOR | 1 | | | | | |
| 6 | 82121102120 | HOLDER | 1 | | | | | |
| 7 | 82111101510 | TERMINAL | 16 | | | | | |
| 8 | 82121101085 | PLUG (AVS0.85) | 16 | | | | | |
| 9 | 82121101009 | PLUG (GREEN) | 2 | | | | | |
| 10 | 82114102040 | CONNECTOR (4P,FEMALE) | 1 | | | | | |
| 11 | 82121102040 | HOLDER (4P,BOTH) | 1 | | | | | |

AT-100-4 42063400098 UPPER

| Pos No. | Parts No | Parts Name | Qty | Unit | Technical Data | Serial No (Start) | Serial No (E |
|---------|-------------|----------------------------------|-----|------|----------------|-------------------|--------------|
| 1 | 37002217330 | PLATE,CAUTION (TADANO HYDRAULIC) | 1 | | | | |

AT-100-4 42063400098 UPPER

| Pos No. | Parts No | Parts Name | Qty | Unit | Technical Data | Serial No (Start) | Serial No (End) |
|---------|-------------|---------------------|-----|------|----------------|-------------------|-----------------|
| 5 | 36648355390 | PLUG | 3 | | | | |
| 6 | 36646965020 | PLUG | 2 | | | | |
| 7 | 36648355390 | PLUG | 9 | | | | |
| 8 | 36648355390 | PLUG | 3 | | | | |
| 9 | 36636505010 | PLUG | 1 | | | | |
| 10 | 36648355010 | PLUG | 2 | | | | |
| 11 | 36648355440 | PLUG | 1 | | | | |
| 12 | 36636505010 | PLUG | 4 | | | | |
| 13 | 91002802200 | O-RING | 12 | | 1B P22 | | |
| 14 | 91002800700 | O-RING | 23 | | 1B P7 | | |
| 15 | 91002801100 | O-RING | 2 | | 1B P11 | | |
| 16 | 91002802000 | O-RING | 2 | | 1B P20 | | |
| 17 | 91002800700 | O-RING | 2 | | 1B P7 | | |
| 18 | 91001000800 | O-RING | 1 | | S8 | | |
| 19 | 91002801800 | O-RING | 1 | | 1B P18 | | |
| 22 | 36648355400 | COVER,END (1) | 3 | | | | |
| 23 | 36648355410 | COVER,END (2) | 3 | | | | |
| 24 | 36648355420 | COVER | 3 | | | | HK0363 |
| | 36742265010 | COVER | 3 | | | HK0364 | |
| 25 | 36648355070 | COVER (SOLENOID) | 6 | | | | |
| 26 | 36646965020 | PLUG | 3 | | | | |
| 27 | 36641715010 | PLUG | 9 | | | | HK0363 |
| | 36742265040 | VALVE ASSY,RELIEF | 9 | | | HK0364 | |
| 28 | 36641715020 | CAP | 9 | | | | HK0363 |
| | 36742265030 | CAP | 9 | | | HK0364 | |
| 29 | 36648355390 | PLUG | 3 | | | | |
| 30 | 91001002400 | O-RING | 3 | | S24 | | |
| 31 | 91002800600 | O-RING | 6 | | 1B P6 | | |
| 32 | 91002801100 | O-RING | 3 | | 1B P11 | | |
| 33 | 91002802000 | O-RING | 3 | | 1B P20 | | |
| 34 | 91001002900 | O-RING | 3 | | S29 | | |
| 35 | 90131505016 | BOLT,HEXAGON SOCKET | 24 | | M5X16 | | |
| 36 | 90131506035 | BOLT,HEXAGON SOCKET | 12 | | M6X35 | | |
| 37 | 90131505008 | BOLT,HEXAGON SOCKET | 12 | | M5X8 | | |
| 38 | 36648355110 | SCREW | 3 | | | | HK0363 |
| | 36741735040 | SCREW | 3 | | | HK0364 | |
| 42 | 36648355120 | SPRING | 3 | | | | |
| 43 | 36648355130 | SPRING | 3 | | | | |
| 44 | 36648355140 | SEAT,SPRING | 6 | | | | |
| 45 | 36648355150 | BOLT (SPACER) | 3 | | | | |
| 46 | 36648355160 | PIN | 3 | | | | |
| 47 | 36648355170 | PIN | 3 | | | | |
| 48 | 36648355180 | PIN | 3 | | | | |
| 49 | 36648355190 | LEVER | 3 | | | | |
| 50 | 36648355200 | KNOB | 3 | | | | |
| 51 | 36648355210 | CAP | 3 | | | | |
| 52 | 36648355220 | PIN,SPRING | 3 | | | | |
| 53 | 36648355230 | ROLLER,NEEDLE | 3 | | | | |
| 54 | 36648355240 | O-RING | 6 | | | | |
| 55 | 36648355250 | SEAT (1) | 3 | | | | |
| 56 | 36648355260 | SEAT (2) | 3 | | | | |
| 57 | 36648355270 | BALL,STEEL | 3 | | | | |
| 58 | 36648355280 | PLUG | 4 | | | | |
| 59 | 91002801400 | O-RING | 4 | | 1B P14 | | |
| 60 | 91000501200 | O-RING | 3 | | | | |
| 61 | 91000501300 | O-RING | 3 | | AS568-013 | | |
| 65 | 36648355320 | SPRING | 1 | | | | |
| 66 | 36648355330 | SPRING | 1 | | | | |
| 67 | 36648355340 | SPRING | 3 | | | | |
| 68 | 36648355350 | PLUG | 5 | | | | |
| 69 | 91002801400 | O-RING | 5 | | 1B P14 | | |
| 70 | 36648355360 | BOLT | 4 | | | | |
| 71 | 36648355370 | NUT | 4 | | | | |

CLICK HERE TO **DOWNLOAD** THE COMPLETE MANUAL

- Thank you very much for reading the preview of the manual.
- You can download the complete manual from: www.heydownloads.com by clicking the link below



- Please note: If there is no response to CLICKING the link, please download this PDF first and then click on it.

CLICK HERE TO **DOWNLOAD** THE COMPLETE MANUAL