

**AT-100-3 42063330100 LOWER,HINO KK-XZU301X-TYMMS6**

PB3000068-00 POWER UNIT  
PO1000149-00 INDICATION PLATES  
PX2000189-00 CARRIER UNIT  
PX3000147-02 MOUNTING UNIT  
ASSEMBLY

CLICK HERE TO **DOWNLOAD** THE COMPLETE MANUAL

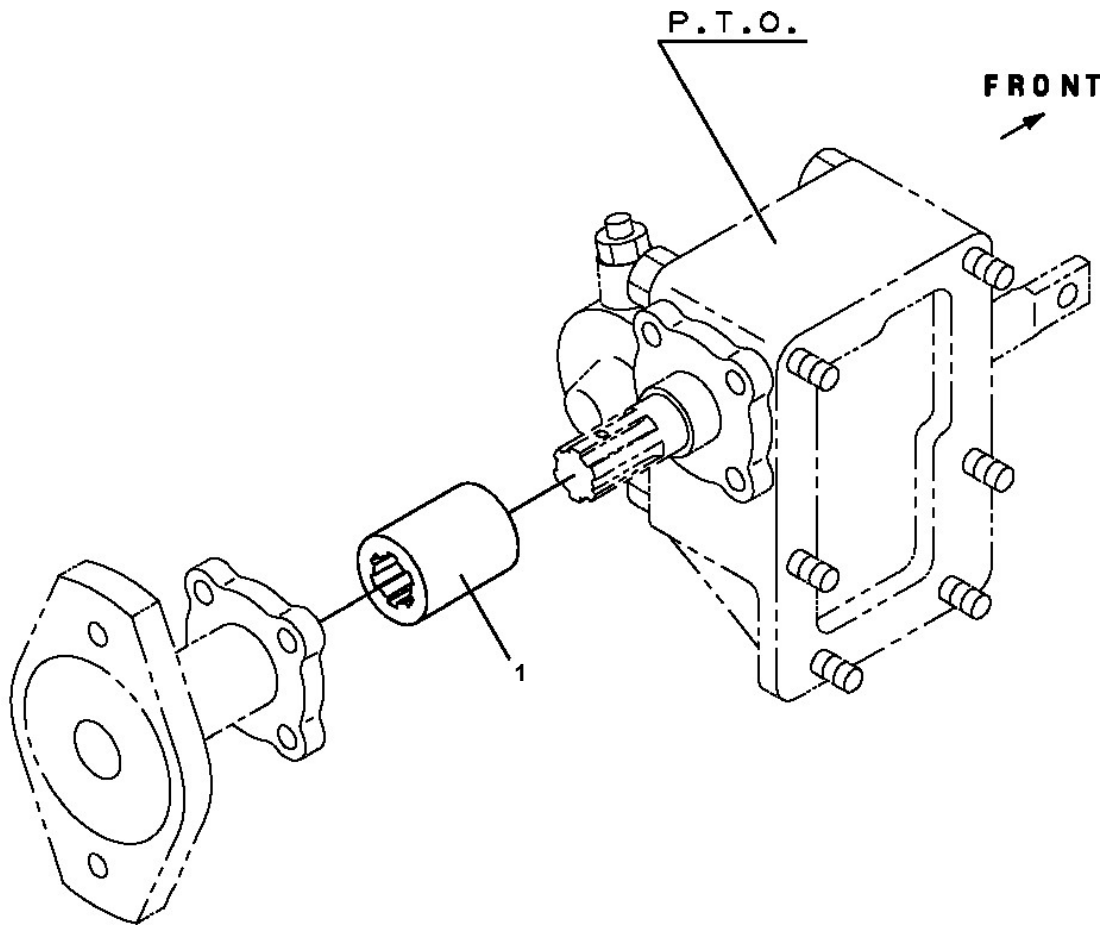
- Thank you very much for reading the preview of the manual.
- You can download the complete manual from: [www.heydownloads.com](http://www.heydownloads.com) by clicking the link below



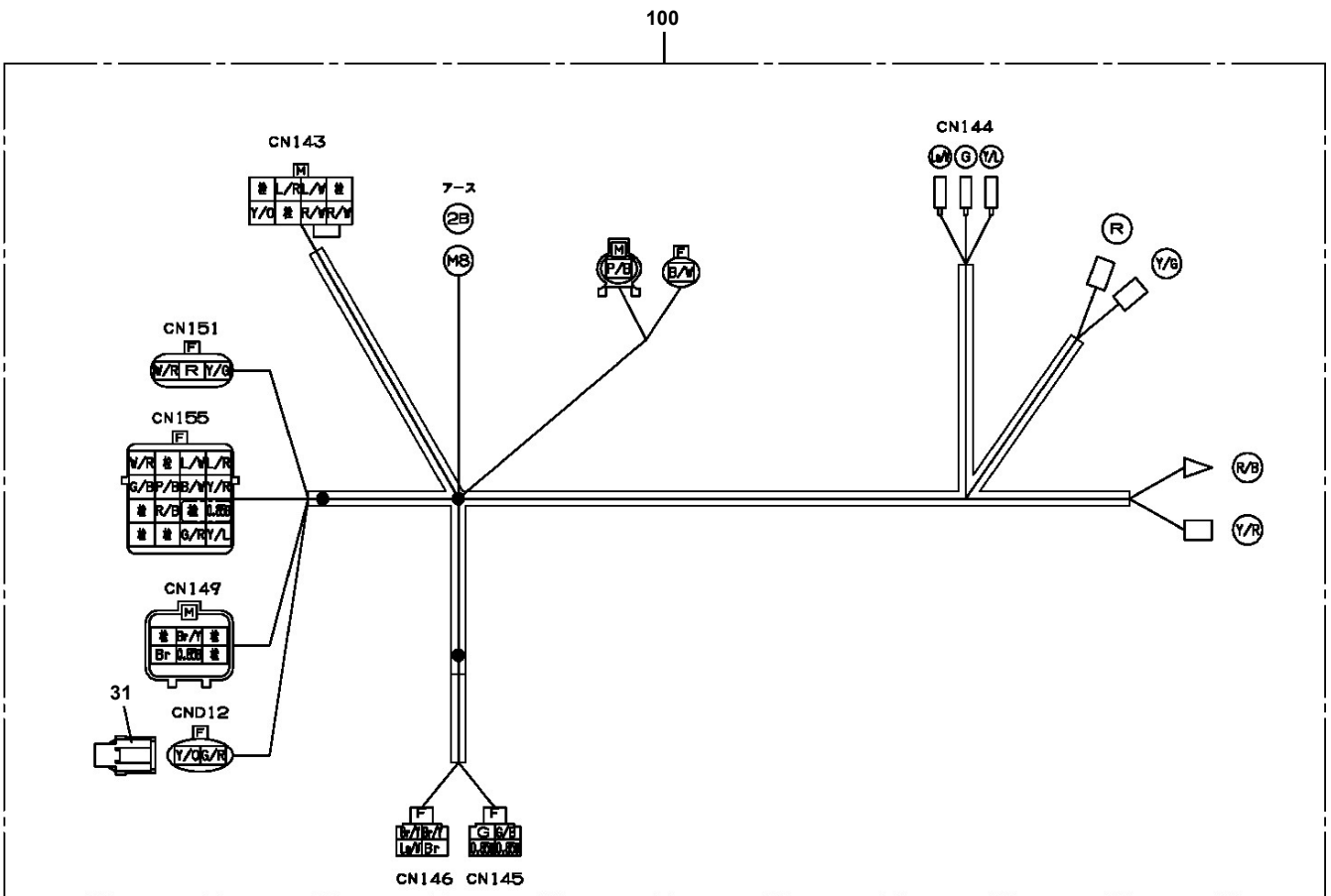
- Please note: If there is no response to CLICKING the link, please download this PDF first and then click on it.

CLICK HERE TO **DOWNLOAD** THE COMPLETE MANUAL

**AT-100-3 42063330100 LOWER,HINO KK-XZU301X-TYMMS6  
PB1050172-00 OPE.ASSY,P.T.O. (COUPLING)**

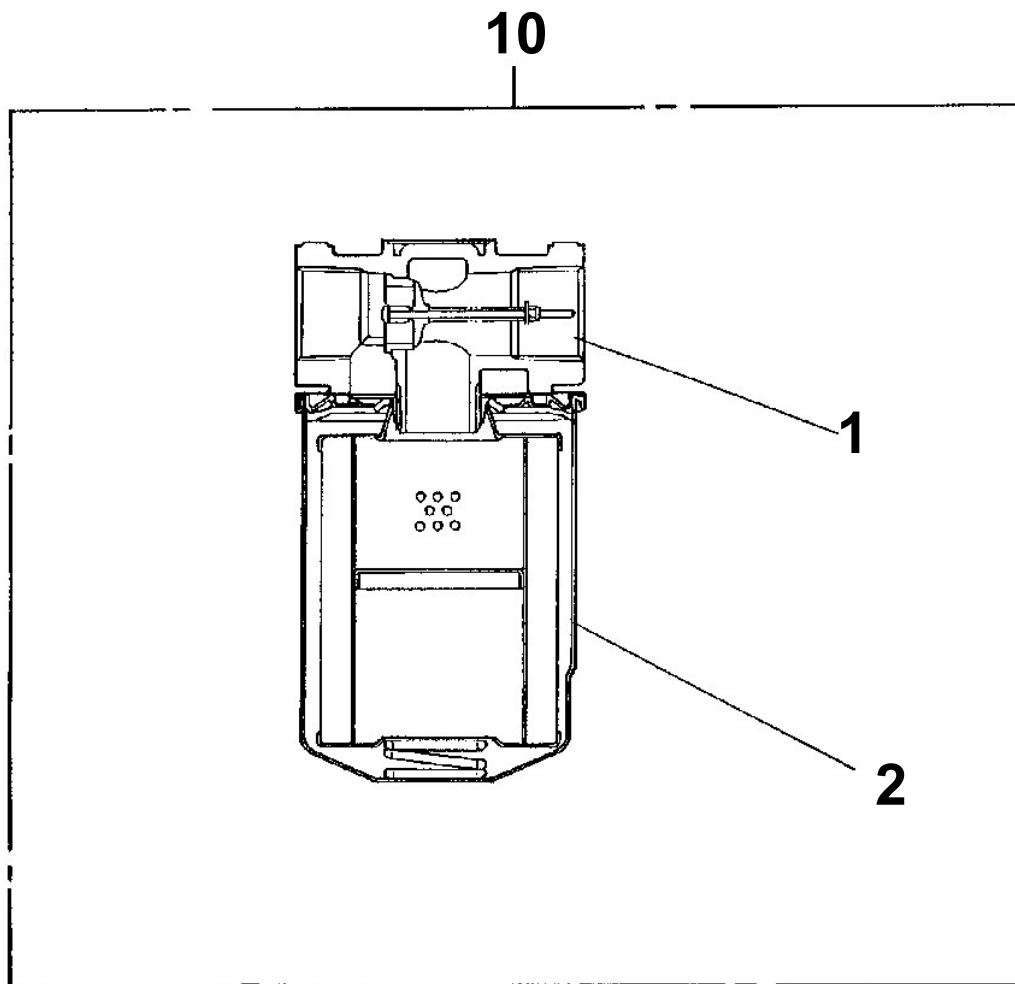


AT-100-3 42063330100 LOWER,HINO KK-XZU301X-TYMMS6  
 PH5031617-00 HARNESS (MAIN)



**AT-100-3 42063330100 LOWER, HINO KK-XZU301X-TYMMS6  
PI1300061-02 FILTER, OIL (YAMASHIN)**

Assembly Name FILTER, OIL



# AT-100-3 42063330100 LOWER,HINO KK-XZU301X-TYMMS6

Pos No.	Parts No	Parts Name	Qty	Unit	Technical Data	Serial No (Start)	Serial No (End)	Remarks	Pages
1	42940090010	PLATE,NAME	1						
2	42942152130	PLATE,CAUTION	1						
3	42942570010	PLATE,CAUTION	1						
4	37002224450	PLATE,NAME	1						

# AT-100-3 42063330100 LOWER,HINO KK-XZU301X-TYMMS6

Pos No.	Parts No	Parts Name	Qty	Unit	Technical Data	Serial No (Start)	Serial No (End)	Remarks	Pages
1	42697360100	SUPPORT	1						
2	90101210018	BOLT	5		M10X18				
	42697360200	GUARD,SIDE	1						
4	90302041001	WASHER,SPRING	7		10				
6	90201201000	NUT	2		M10				
7	90101210016	BOLT	2		M10X16				
8	37000549940	PLATE	3		T=3.2				

# AT-100-3 42063330100 LOWER,HINO KK-XZU301X-TYMMS6

Pos No.	Parts No	Parts Name	Qty	Unit	Technical Data	Serial No (Start)	Serial No (End)	Remarks	Pages
1	82467300108	PLUG	8						

CLICK HERE TO **DOWNLOAD** THE COMPLETE MANUAL

- Thank you very much for reading the preview of the manual.
- You can download the complete manual from: [www.heydownloads.com](http://www.heydownloads.com) by clicking the link below



- Please note: If there is no response to CLICKING the link, please download this PDF first and then click on it.

CLICK HERE TO **DOWNLOAD** THE COMPLETE MANUAL