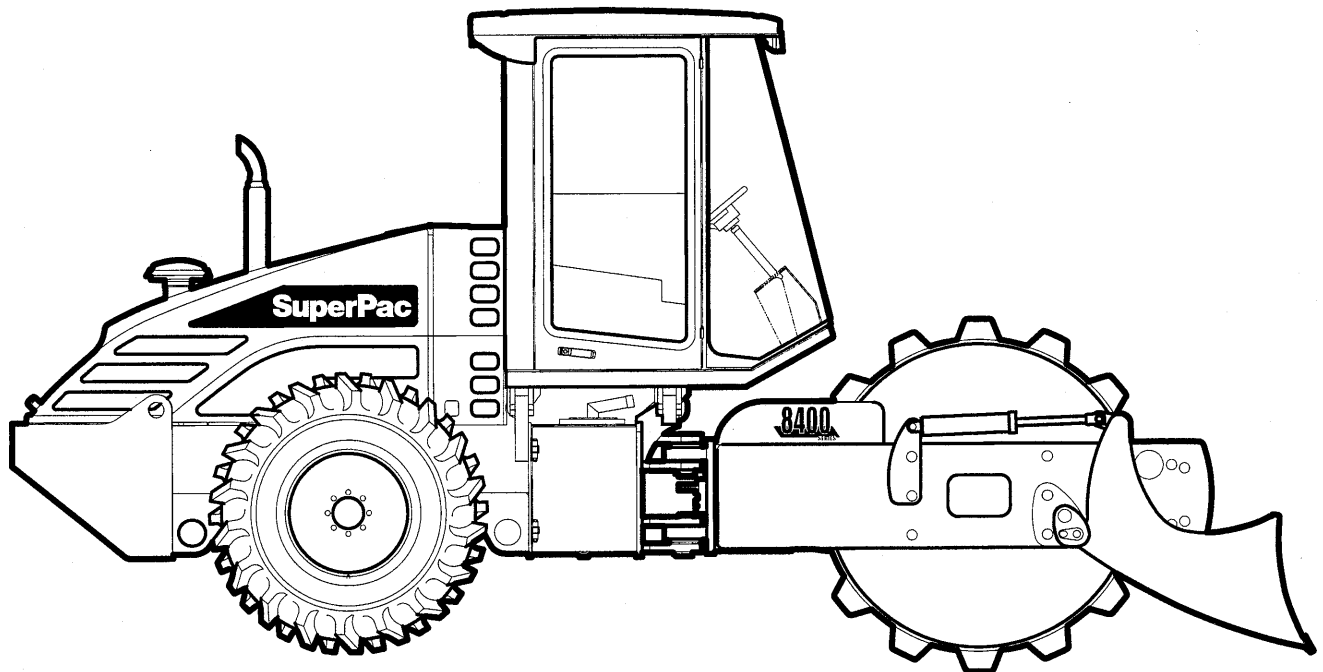


SuperPac COMPACTION

Model 8420/8430

Applicable to Rollers with
S/N 101552 & up



Parts Manual

SuperPac Compaction Limited
777 Laurel Street,
Cambridge, Ontario, Canada N3H 3Z1
Tel: 519-653-6234
Fax: 519-653-2527

©2000 SuperPac Compaction
Part No. L-3079 (04/00)
Printed in Canada

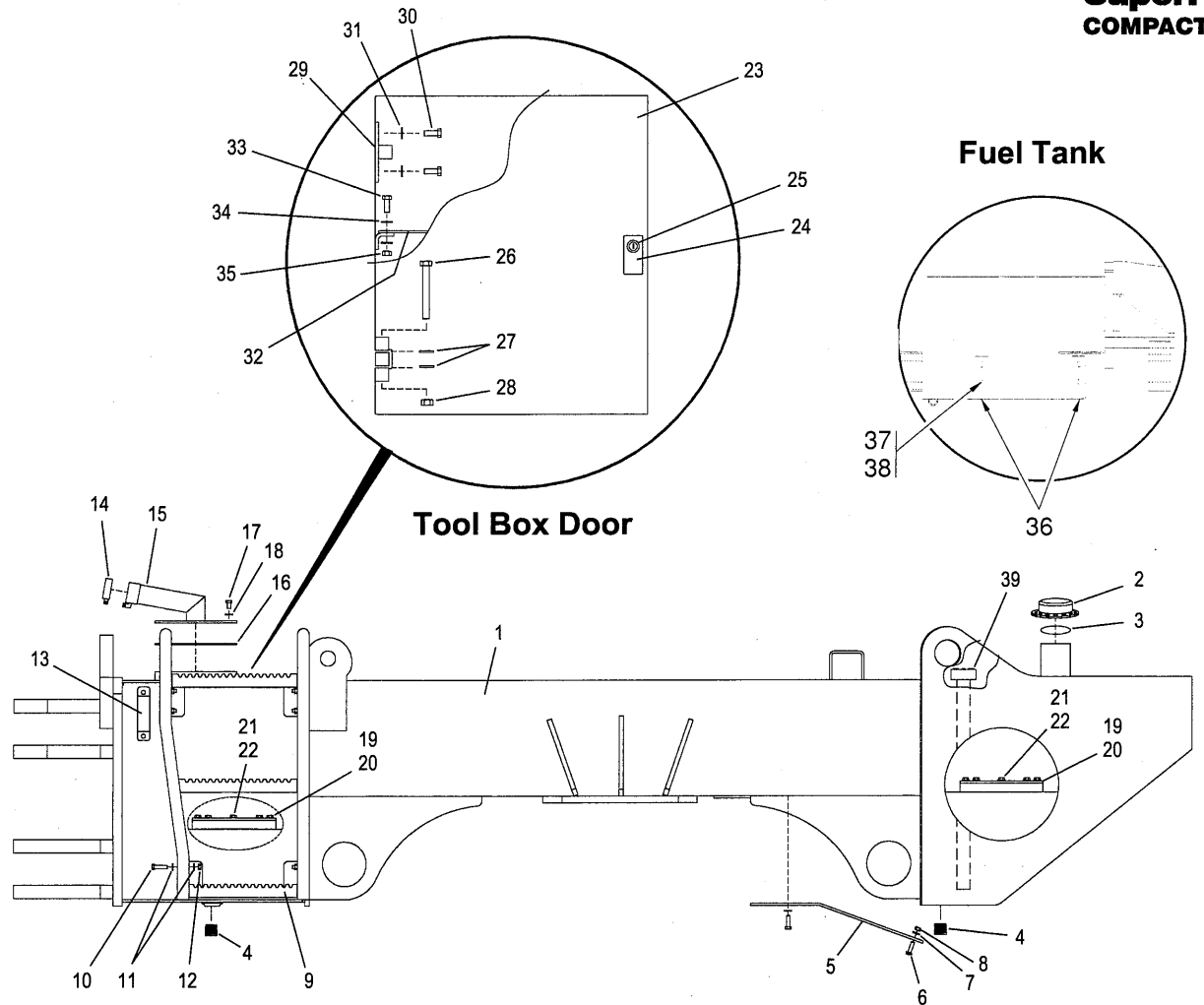
CLICK HERE TO **DOWNLOAD** THE COMPLETE MANUAL

- Thank you very much for reading the preview of the manual.
- You can download the complete manual from: www.heydownloads.com by clicking the link below



- Please note: If there is no response to CLICKING the link, please download this PDF first and then click on it.

CLICK HERE TO **DOWNLOAD** THE COMPLETE MANUAL



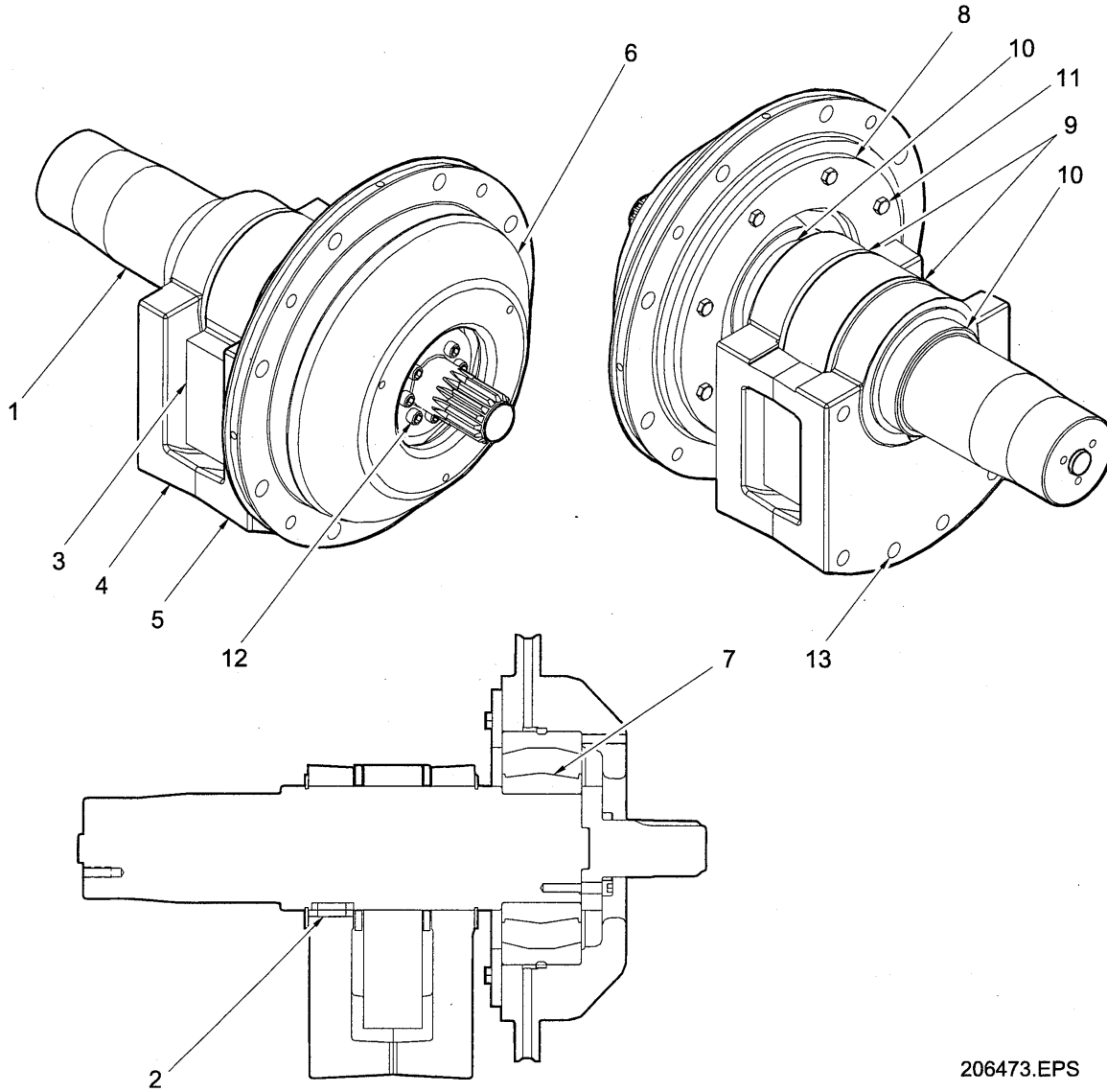
Item	Part No.	Description	Qty.	Remarks	Item	Part No.	Description	Qty.	Remarks
1	209026	REAR FRAME (8420)	1		25	202875	KEY	1 PAIR	
1	209028	REAR FRAME (8430)	1		26	50A-0832ZI	BOLT	2	
2	202525	FUEL CAP	1		27	14Y-08ZI	HARDENED FLAT WASHER	4	
3	12A-334	O-RING	1		28	36U-08	NUT-UNI-TORQUE	2	
4	115D-16	PLUG - TANK DRAIN	2		29	205911	HINGE	2	
5	207325	PAN - AIR FLOW	1		30	50A-0608ZI	BOLT	4	
6	50A-0610ZI	BOLT	4		31	14Y-06ZI	HARDENED FLAT WASHER	4	
7	14Y-06ZI	HARDENED FLAT WASHER	4		32	205919	SELF - TOOL BOX	1	
8	30A-06ZI	NUT-UNI-TORQUE	2		33	50A-0608ZI	BOLT	4	
9	205929	LADDER	1		34	14Y-06ZI	HARDENED FLAT WASHER	8	
10	50A-0612ZI	BOLT	8		35	36U-06	NUT-UNI-TORQUE	4	
11	14Y-06ZI	HARDENED FLAT WASHER	16		36	207539	DECK - PIVOT STOPS	2	
12	36U-06	NUT-UNI-TORQUE	8		37	50D-0612ZI	BOLT - SOCKETHEAD	4	
13	205971	FLUID LEVEL GAUGE	1		38	36U-06	NUT-UNI-TORQUE	4	
14	205954	HYDRAULIC OIL CAP	1		39	FUEL SENDING UNIT			REF. 8 - 2
15	205816	HYDRAULIC TANK COVER	1						
16	12A-364	O-RING	1						
17	50A-0606ZI	BOLT	8						
18	14Y-06ZI	HARDENED FLAT WASHER	8						
19	205856	PLATE - TANK COVER	2						
20	12A-364	O-RING	2						
21	50A-0606ZI	BOLT	16						
22	14Y-06ZI	HARDENED FLAT WASHER	16						
23	205909	DOOR - TOOL BOX	1						
24	205956	LATCH (INCLUDES ITEM 25)	1						

REAR FRAME

8420/8430

APPLICABLE SERIAL NUMBERS:
101552 & UP

1-1



206473.EPS

Item	Part No.	Description	Qty.	Remarks
1	205779	SHAFT - DRIVE SIDE	1	
2	207219	KEY	1	
3	205876	CENTER ECCENTRIC	1	
4	205879	LEFT ECCENTRIC	1	
5	205880	RIGHT ECCENTRIC	1	
6	205771	CARRIER - BEARING	1	
7	206003	BEARING	2	
8	205733	KEEPER PLATE	1	
9	205852	SPACER	2	
10	19C-450	RETAINING RING	2	
11	59B-0608Z1	BOLT	8	
12	59A-0612PH	BOLT	7	
13	59A-0624PH	BOLT	5	

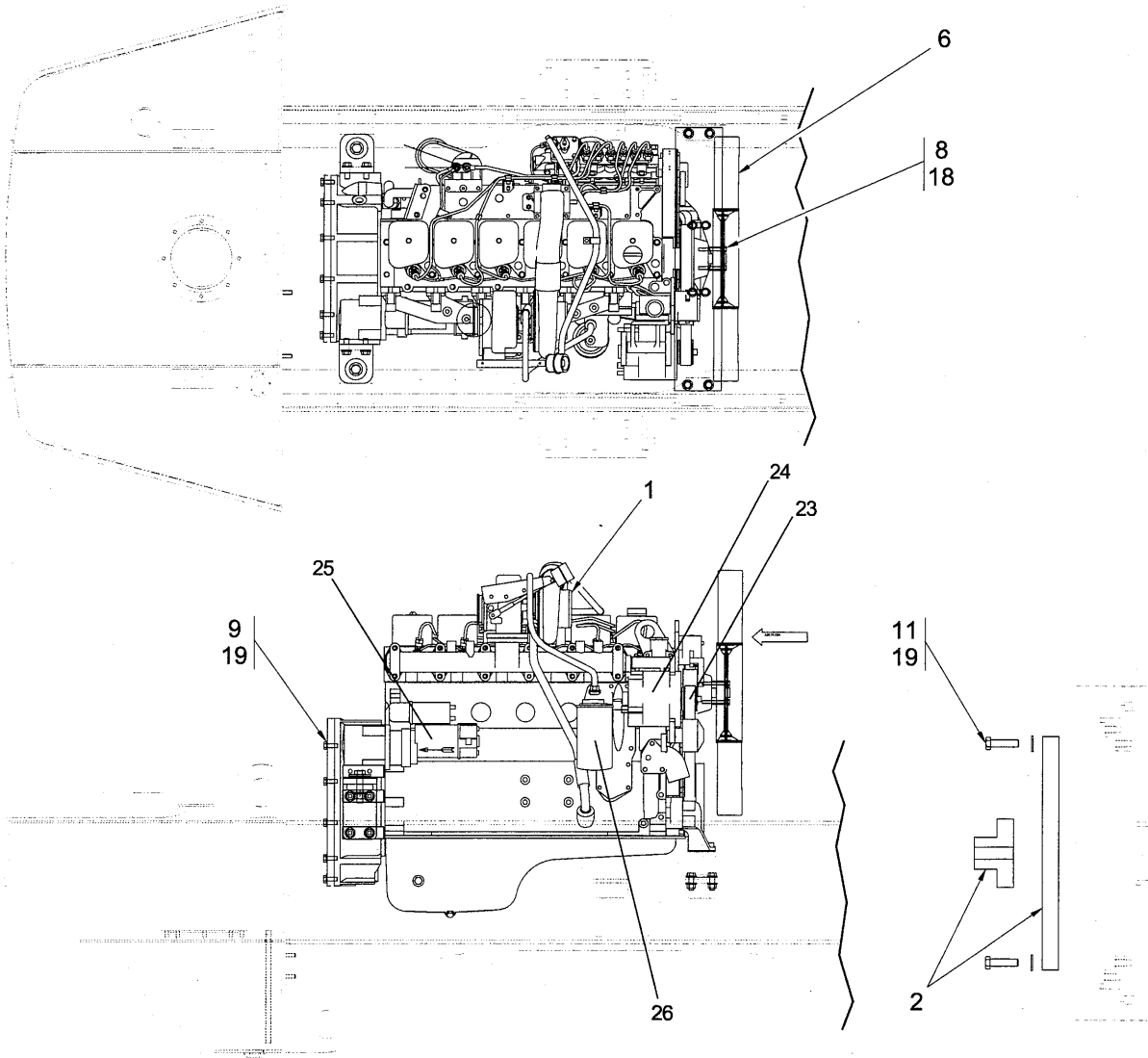
Item	Part No.	Description	Qty.	Remarks

ECCENTRIC - DRIVE SIDE

8420/8430

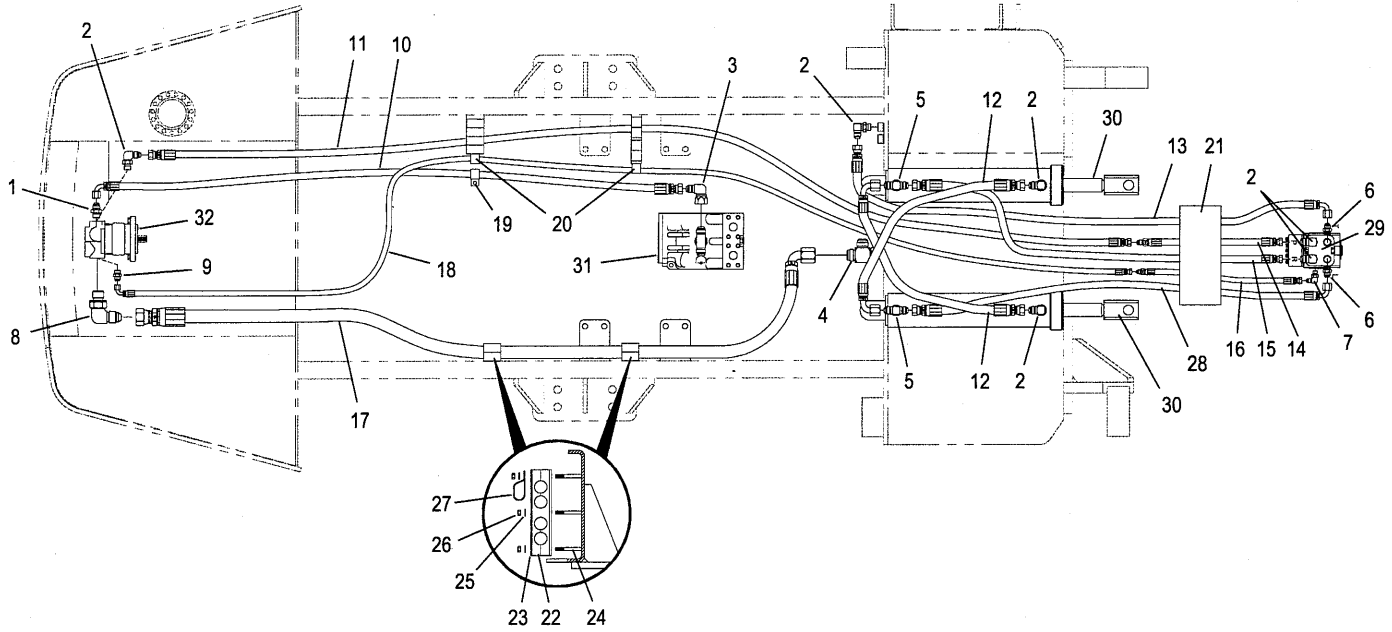
APPLICABLE SERIAL NUMBERS:
101552 & UP

3-2



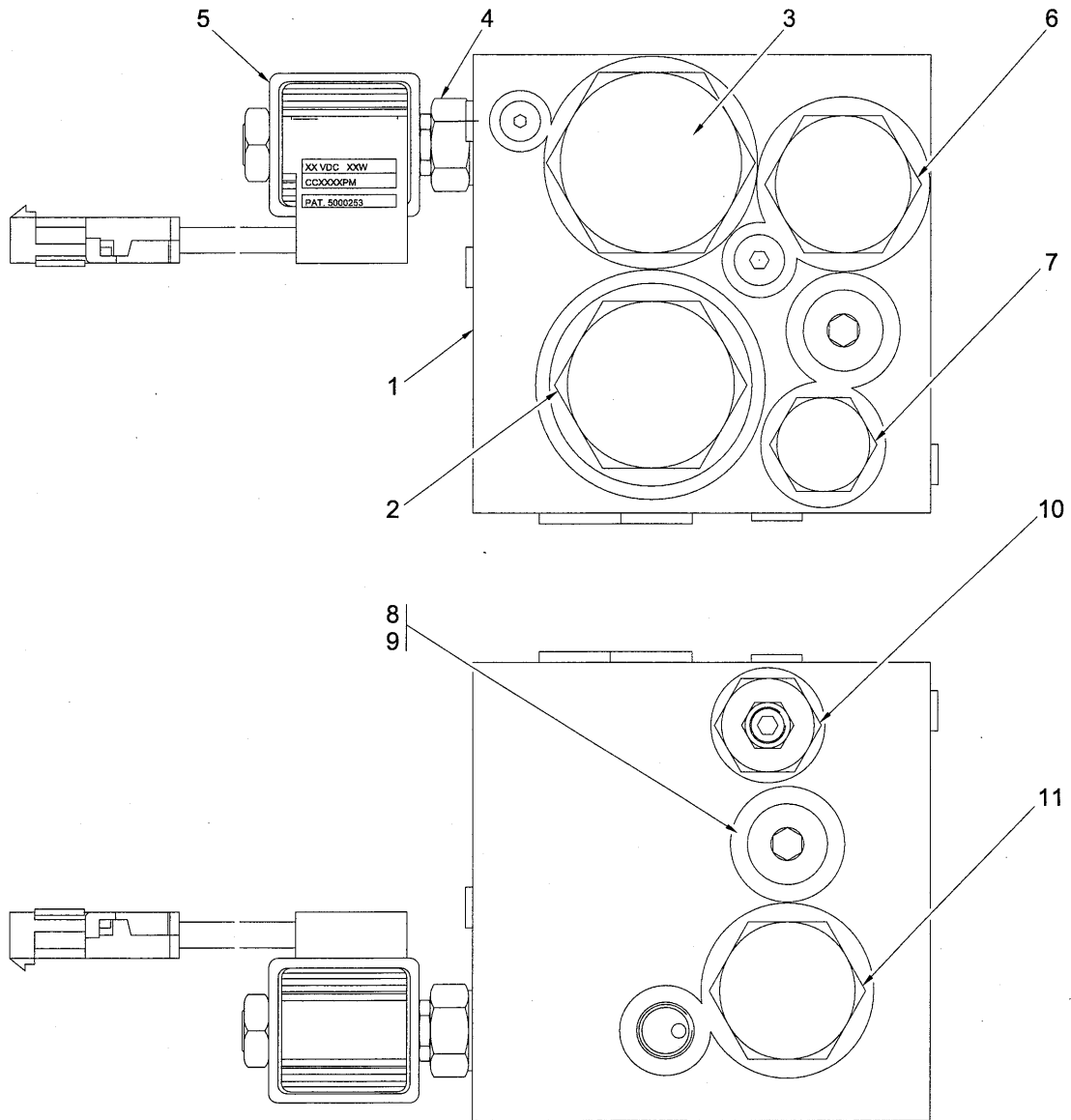
205530b.EPS

Item	Part No.	Description	Qty.	Remarks	Item	Part No.	Description	Qty.	Remarks
1	205525	ENGINE - 6BT (8420 ONLY)	1		16	36U-08	NUT-UNI-TORQUE	4	
1	206836	ENGINE - 6BTA (8430 ONLY)	1		17	36U-10	NUT-UNI-TORQUE	2	
2	206472	PUMP DRIVE	1		18	14Y-05ZI	HARDENED FLAT WASHER (8420 ONLY)	4	
3	205621	MOUNT - ENGINE ISOLATOR	2		18	14Y-06ZI	HARDENED FLAT WASHER (8430 ONLY)	4	
4	205861	CHANNEL - ENGINE FRONT	1		19	14Y-06ZI	HARDENED FLAT WASHER	16	
5	209199	MOUNT - ENGINE REAR	2		20	14Y-07ZI	HARDENED FLAT WASHER	8	
6	206271	FAN -26" SUCKER (8420 ONLY)	1		21	14Y-08	HARDENED FLAT WASHER	16	
	206835	FAN -26" SUCKER (8430 ONLY)	1		22	14Y-10ZI	HARDENED FLAT WASHER	2	
7	207900	WASHER -FLAT OVERSIZED	2		23	203210	FAN/ALTERNATOR BELT	1	
8	350AA-08070ZI	BOLT (8420 ONLY)	4		24	203206	ALTERNATOR (8420)	1	
	350AA-10070ZI	BOLT (8430 ONLY)	4		24		ALTERNATOR (8430)	1	
9	350AA-10030ZI	BOLT	8		25	203207	STARTER MOTOR	1	
10	350AA-12035ZI	BOLT	8		26	208401	ENGINE OIL FILTER 8420	1	
11	50A-0612ZI	BOLT	8			208478	ENGINE OIL FILTER 8430	1	
12	50A-0710ZI	BOLT	4						
13	50A-0812ZI	BOLT	4						
14	50A-1024ZI	BOLT	2						
15	36U-07	NUT-UNI-TORQUE	4						



Item	Part No.	Description	Qty.	Remarks
1	111E-0810	CONNECTOR	1	
2	111B-0808	ELBOW	6	
3	112B-12	ELBOW	1	
4	111D-1616	TEE	1	
5	111C-0808	TEE	2	
6	111E-0808	CONNECTOR	2	
7	111B-0404	ELBOW	1	
8	111B-1616	ELBOW	1	
9	111E-0404	CONNECTOR	1	
10	207688X80	HOSE	1	
11	207689X114	HOSE	1	
12	205361X25	HOSE	2	
13	207710X93	HOSE	1	
14	207603X61	HOSE	1	
15	207689X86	HOSE	1	
16	207604X54	HOSE	1	
17	207650X104	HOSE	1	
18	205378X126	HOSE	1	
19	207393	CLAMP	1	
20	202772	CLAMP	2	
21	207711X36	HOSE PROTECTOR	1	
22	207268	HOSE CLAMP	2	

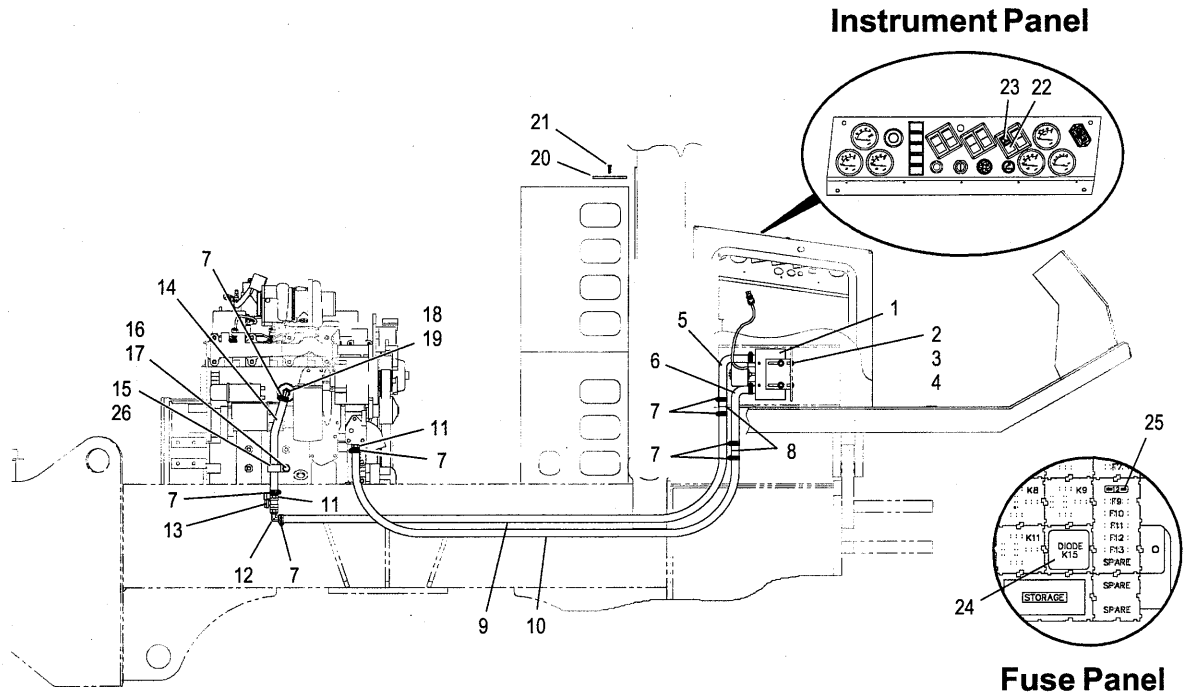
Item	Part No.	Description	Qty.	Remarks
23	207271	PLATE	2	
24	207767	THREADED ROD	6	
25	14Y-06ZI	HARDENED FLAT WASHER	6	
26	36U-06ZI	LOCKNUT	6	
27	202772	P-CLAMP	2	
28	205361X81	HOSE	1	
29	STEERING CONTROL UNIT			See Sec. 7-1
30	CYLINDER - STEERING			See Sec. 7-2
31	MOTOR - AXLE			See Sec. 7-3
32	PUMP - STEERING			See Sec. 7-9



208445.EPS

Item	Part No.	Description	Qty.	Remarks	Item	Part No.	Description	Qty.	Remarks
1		VALVE BODY	1						
2	208462	FLOW DIVIDER VALVE	1						
3		DIVERTER VALVE	1						
4		SOLENOID VALVE	1						
5		COIL	1						
6		CHECK VALVE	1						
7		SHUTTLE VALVE	1						
8		PLUG	7						
9		ORIFICE PLUG	1						
10		RELIEF VALVE	1						
11		CHECK VALVE	1						

TRACTION VALVE	8420/8430	APPLICABLE SERIAL NUMBERS: 101552 & UP	7-11
-----------------------	------------------	---	-------------



Item	Part No.	Description	Qty.	Remarks	Item	Part No.	Description	Qty.	Remarks
1	206359	HEATER UNIT ASSEMBLY	1		14	203117X15	HEATER HOSE	1	
2	52C-1005Zi	SCREW	4		15	207393	CLAMP	1	
3	14G-10Zi	WASHER	4		16	350AA-12060Zi	BOLT	1	
4	205680	THREADED INSERT	4		17	314C-12Zi	WASHER	1	
5	206373	HEATER HOSE - INLET	1		18	115B-1208	REDUCER	1	
6	206374	HEATER HOSE - OUTLET	1		19	206367	FITTING - ELBOW	1	
7	206370	CLAMP	10		20	207520	DRIER COVER PLATE	1	
8	206371	SPLICE	2		21	50A-0608Zi	BOLT	2	
9	203117X66	HEATER HOSE - INLET	1		22	207362	SWITCH	1	
10	203117X60	HEATER HOSE - OUTLET	1		23	207389	SWITCH INSERT - HEATER	1	
11	206372	FITTING - STRAIGHT	2		24	206124	RELAY	1	
12	206367	FITTING - ELBOW	1		25	206379	FUSE	1	
13	206368	VALVE	1		26	207797	SPACER TUBE	1	

CLICK HERE TO **DOWNLOAD** THE COMPLETE MANUAL

- Thank you very much for reading the preview of the manual.
- You can download the complete manual from: www.heydownloads.com by clicking the link below



- Please note: If there is no response to CLICKING the link, please download this PDF first and then click on it.

CLICK HERE TO **DOWNLOAD** THE COMPLETE MANUAL