

VIGNERON 60

ACCESSORIES

GENERAL

3 POINT HITCH.....	0E.00.1
FRONT PERMANENT TOWING HITCH.....	0E.00.2
PERMANENT REAR TOWING HITCH.....	0E.00.3
FRONT BALLAST.....	0E.00.4
TOOL POUCH.....	0E.00.5

CLICK HERE TO **DOWNLOAD** THE COMPLETE MANUAL

- Thank you very much for reading the preview of the manual.
- You can download the complete manual from: www.heydownloads.com by clicking the link below



- Please note: If there is no response to CLICKING the link, please download this PDF first and then click on it.

CLICK HERE TO **DOWNLOAD** THE COMPLETE MANUAL

Section: BODY WORK
SUPPORTS

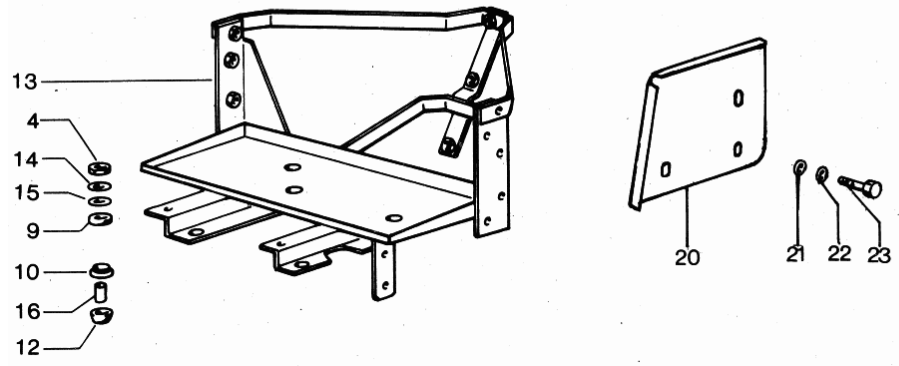
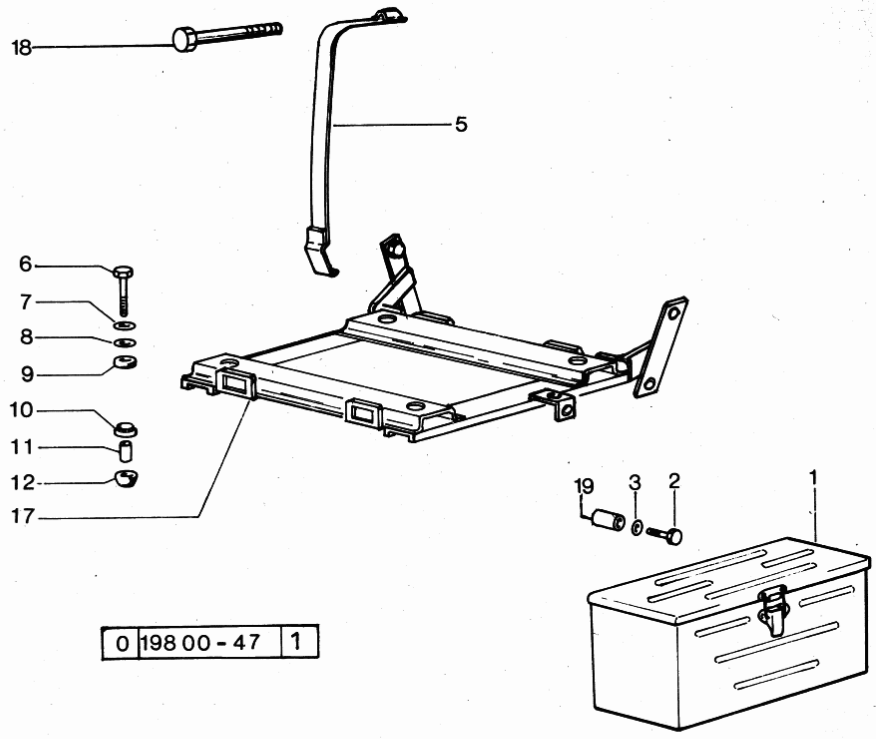


Fig.	Code	QTY	Name
1	0.138.7317.3	1	metal toolbox
2	2.0112.607.2	2	screw m 16 p.2x20
3	2.1470.009.2	2	lock washer 16
4	2.1011.007.1	4	nut
5	0.152.7333.2	4	clamp
6	2.0112.313.2	4	screw m 10 p.1.5 x 35
7	2.1470.006.2	4	lock washer 10
8	2.1310.006.2	4	flat washer 10.5
9	0.136.7387.0	9	rubber plug 15x27x5
10	0.136.7384.0	9	cup
11	2.1579.090.0	4	spacer 10.1x15x18
12	0.136.7385.0	9	rubber plug
13	0.198.7320.3/10	1	battery support
14	2.1470.007.2	5	lock washer 12
15	2.1310.007.2	5	flat washer 13.5
16	2.1579.012.0	5	spacer 12.1x15x20
17	0.152.7330.2/30	1	battery support
18	2.0122.377.1	2	screw
19	2.1579.171.1	2	spacer 17x27x7
20	0.198.7351.0	1	division sx/lh/li --> 1181
20	0.198.7350.0	1	division dx/rh/re --> 1181
21	2.1599.153.0	6	snoulder 6.4x17x2
22	2.1470.002.2	6	washer 6, d128
23	2.0112.004.2	6	screw m 6 p.1 x 14

Section: ELECTRIC AL SYSTEM
ELECTRIC STARTING SYSTEM

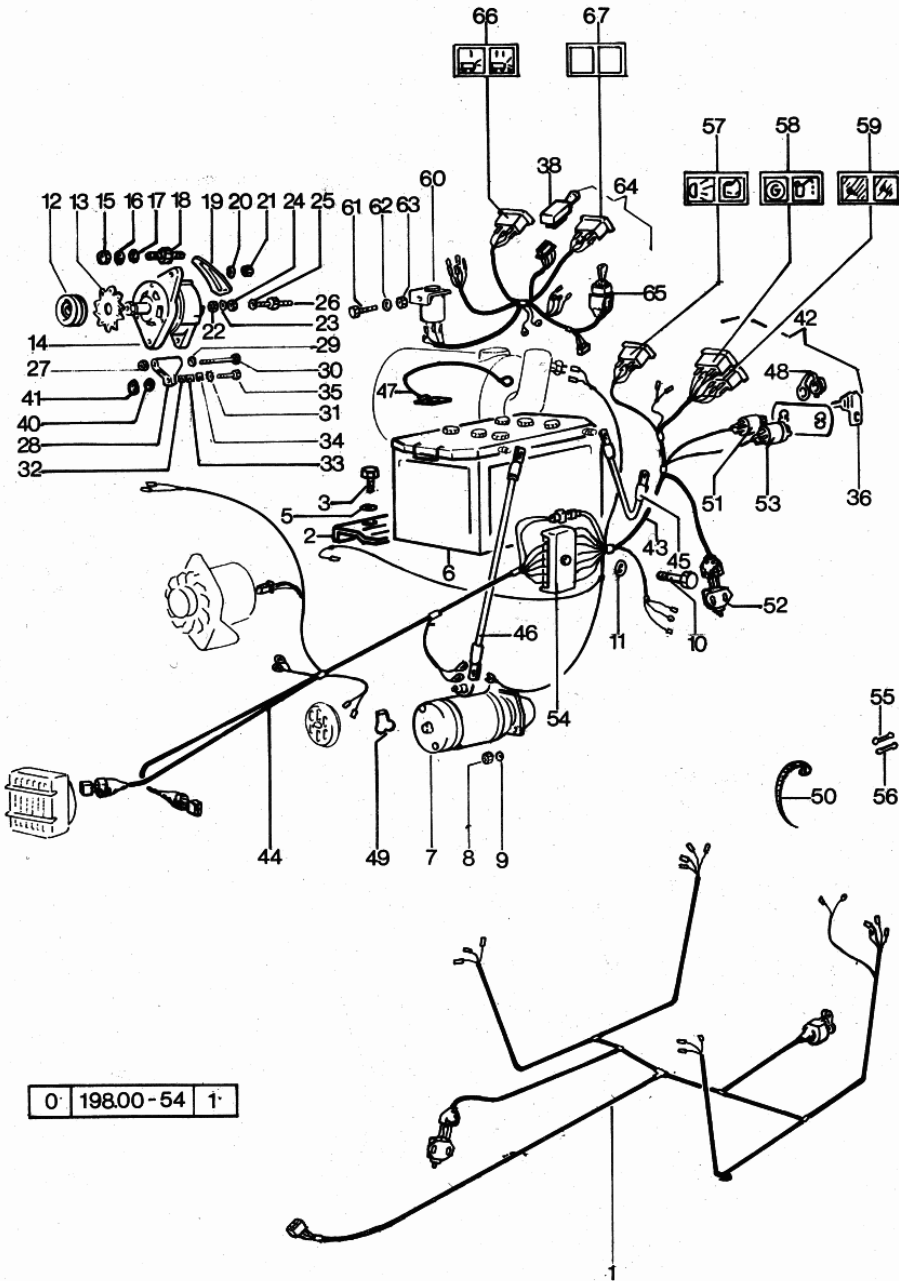


Fig.	Code	QTY	Name
1	0.198.8450.3	1	wire
1	0.146.8462.3/20	1	wire
2	0.158.8451.0	1	ROAD TYPE crosspiece
3	2.0112.209.2	2	screw m 8 p 1.25 x 25
5	2.1470.004.2	2	washer 8
6	2.9559.009.0	1	battery
7	2.9619.180.0	1	starter motor 3.5 kW, Z = 11 ⌚ 08.00.3 ⌚ 2.9619.180.0
8	2.1011.422.2	2	nut m 12 p.1.25
9	2.1474.011.1	2	washer 12
10	2.0230.314.2	2	screw
11	2.1470.001.2	2	lock washer 5
12	0.154.8440.0	1	pulley
13	0.150.8457.0	1	rotor blade
14	2.9439.090.0	1	alternator - 33 A BOSCH ⌚ 08.00.4
15	2.1011.421.2	1	nut m 10 p.1.25
16	2.1470.006.2	1	lock washer 10
17	2.1310.006.2	1	flat washer 10.5
18	0.171.8452.0	1	pin
19	0.194.8452.0/10	1	rod
20	2.1310.006.2	1	flat washer 10.5
21	2.1011.421.2	1	nut m 10 p.1.25
22	2.1011.405.2	1	nut m 8 p.1
23	2.1470.004.2	2	washer 8
24	2.1011.405.2	2	nut m 8 p.1
25	2.1310.004.2	1	flat washer 8.5
26	0.167.8463.0	1	register
27	2.1011.421.2	1	nut m 10 p.1.25
28	0.194.8453.6	1	support
28	0.194.8453.0/10	1	support --> 1181
29	2.1310.006.2	2	flat washer 10.5
30	2.0122.385.2	1	screw m 10 p.1.25 x 130
31	2.1474.010.1	1	spring washer 10
31	2.1474.011.1	1	washer 12 --> 1181
32	0.167.8462.0	1	small plate mm 2.00 1180 <--
33	0.167.8461.0	1	small plate mm 1.00 1180 <--

Section: ENGINE
CRANKCASE

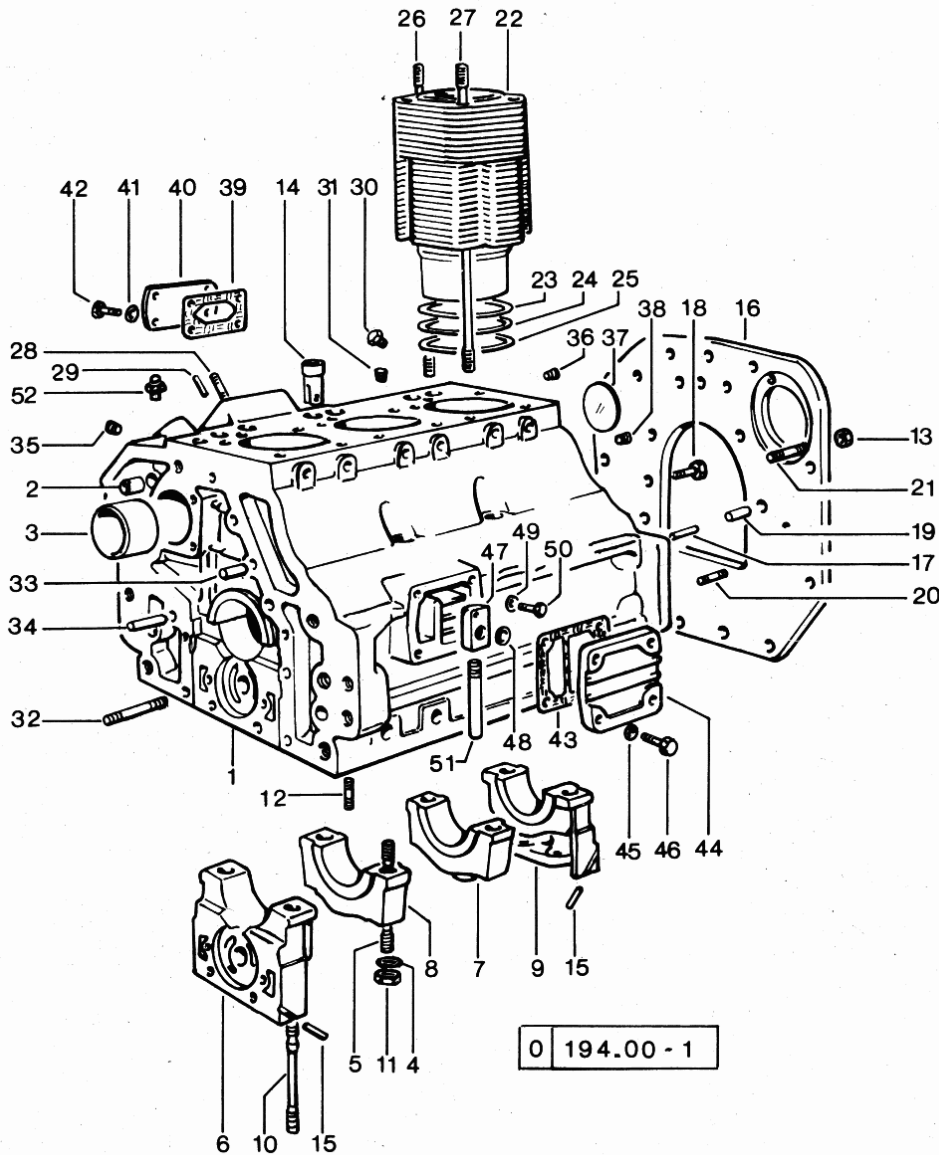


Fig.	Code	QTY	Name
0	0.054.0050.6	1	gasket set FOR ENGINE ASSEMBLY
1	0.054.1110.4/20	1	crankcase
2	2.1559.111.0	2	bushing 12x14x10
3	0.037.1155.0	1	bushing
4	2.1599.144.7	8	snoulder 12.5x23x4
5	0.029.1117.0	4	stud bolt
6	0.054.1112.0	1	support
7	0.037.1114.0	1	support
8	0.029.1113.0	1	support
9	0.029.1116.0	1	support
10	0.021.1157.0	4	stud bolt
11	2.1019.026.7	8	special nut m 12 p.1.5
12	2.0432.003.1	24	stud bolt m 8 p.1.25 / p.1 x 20
13	2.1011.207.2	2	nut m 12 p.1.5
14	0.044.1156.0	6	bushing
15	0.029.1154.0	4	gasket
16	0.054.1130.0/10	1	flange
17	2.1653.708.0	2	pin
18	2.0112.511.1	11	screw m 14 p.2 x 30
19	2.1652.911.0	2	cylindrical plug 12x25
20	2.0432.153.1	2	stud bolt
21	2.0432.255.1	2	stud bolt
22	0.044.1120.0/10	3	engine cylinder
23	2.1589.052.0	3	snoulder 115x123x0.2
24	2.1589.051.0	3	snoulder 116x123x0.1
25	2.1569.076.0	3	gasket 116x123x0.5
26	0.041.1123.0	3	stud bolt m 10
27	0.039.1122.0	12	stud bolt m 12 p.1.5x310
28	2.0432.003.1	4	stud bolt m 8 p.1.25 / p.1 x 20
29	2.1653.306.0	1	pin
30	0.041.1151.3/10	3	valve
31	2.3130.001.1	2	plug 1/8" gas
32	2.0432.025.1	2	stud bolt m 8 p 1.25-1x100
33	2.1653.711.0	1	pin
34	2.1699.114.0	1	pin 8x55
35	2.3139.001.0	3	plug m 12 p.1.75
36	2.3130.002.1	1	plug 1/4" gas
37	2.3170.022.1	1	expansion plug 60
38	2.3130.003.1	2	plug 3/8" gas
39	0.044.1151.0	1	gasket
40	0.044.1150.0	1	cover
41	2.1310.004.2	4	flat washer 8.5
42	2.0112.204.2	4	screw m 8 p.1.25x14

Section: ENGINE
FUEL FEED - INJECTION PUMP

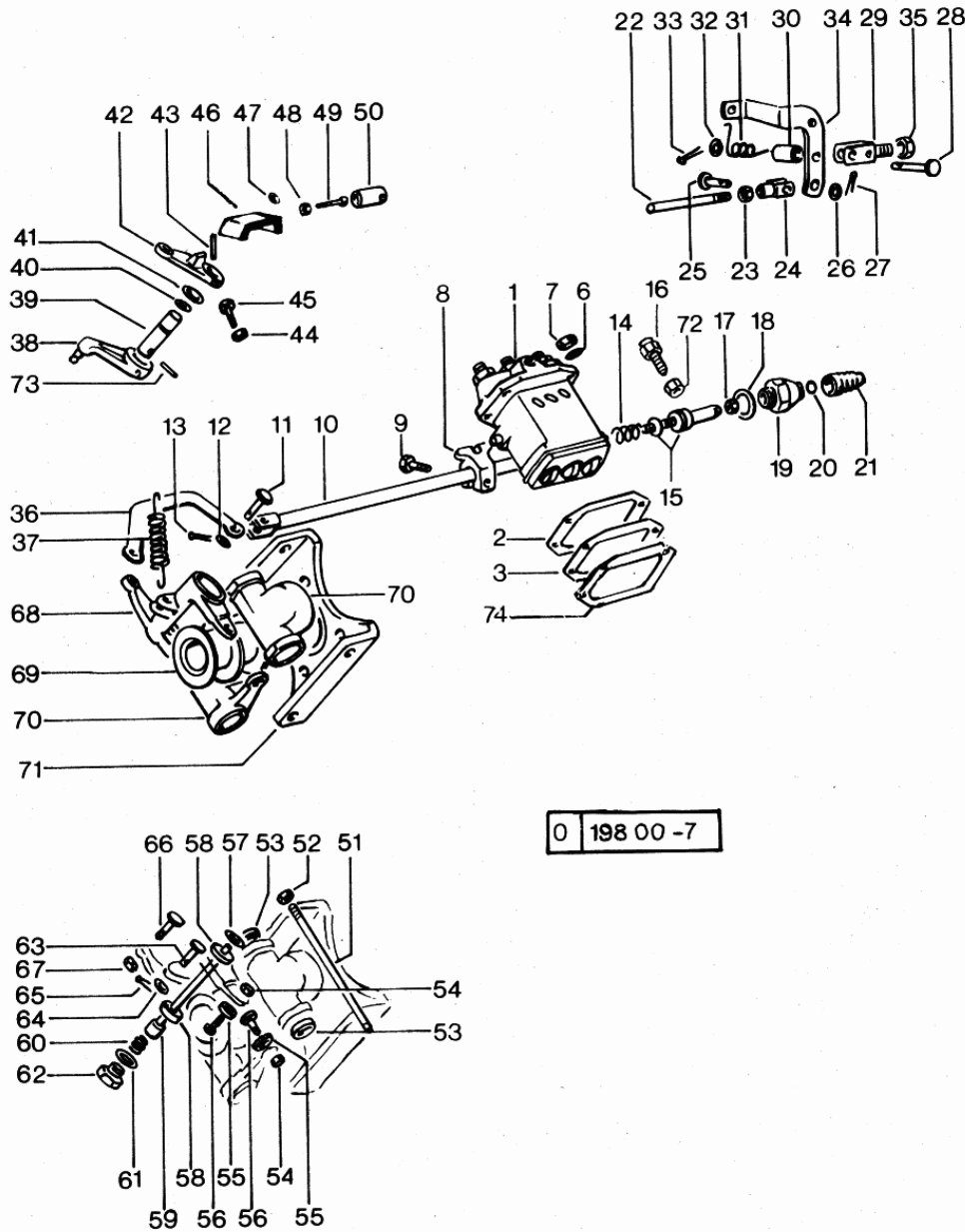


Fig.	Code	QTY	Name
1	2.4639.060.0	1	injector pump ☞ 01.00.11
2	0.041.1658.0	1	shim mm 0.20
2	0.041.1659.0	1	shim mm 0.1
3	0.041.1695.0	1	gasket mm 0.20
3	0.041.1694.0	1	gasket mm 0.1
6	2.1311.006.2	4	flat washer 8
7	2.1099.056.1	4	special nut m8 p.1
8	0.046.1652.0	1	bracket
9	2.0112.007.2	1	screw m 6 p.1 x 20
10	0.044.1613.2	1	rod
11	2.1670.103.2	1	pin
12	2.1311.004.1	1	flat washer 6.4 x 12.5
13	2.1690.205.0	1	split pin 2x12
14	2.4019.178.1/10	1	spring 14.6x34x0.8
15	0.041.1678.6	1	device
16	0.044.1669.3/10	1	device
18	2.1560.019.0	1	gasket 24.3x30
19	0.041.1666.0/30	1	plug
20	2.1530.015.0	1	'o' ring 8.30x2.40
21	0.000.5617.0	1	dust guard
22	0.194.6750.6	1	bracket 2258 <=
22	0.041.1654.0/30	1	ferrule => 2259
23	2.1011.103.2	1	nut m 6 p.1
24	0.054.1653.0/10	1	fork
25	2.1670.002.2	1	pin 5x14x12
26	2.1310.001.2	1	flat washer 5.3
27	2.1690.104.0	1	split pin a.1 5x10
28	2.1670.311.2	1	pin 8x38x35
29	0.194.6750.6	1	bracket 2258 <=
29	0.054.1676.0	1	support => 2259
30	2.1579.159.0	1	spacer 8.8x12x16
31	2.4099.017.1/10	1	spring
32	2.1310.004.2	1	flat washer 8.5
33	2.1690.206.2	1	split pin 2x16
34	0.054.1657.2	1	lever
35	0.054.1657.2	1	lever
36	0.042.1622.0	1	rod
37	2.4049.090.1	1	spring
38	0.042.1621.0	1	lever

CLICK HERE TO **DOWNLOAD** THE COMPLETE MANUAL

- Thank you very much for reading the preview of the manual.
- You can download the complete manual from: www.heydownloads.com by clicking the link below

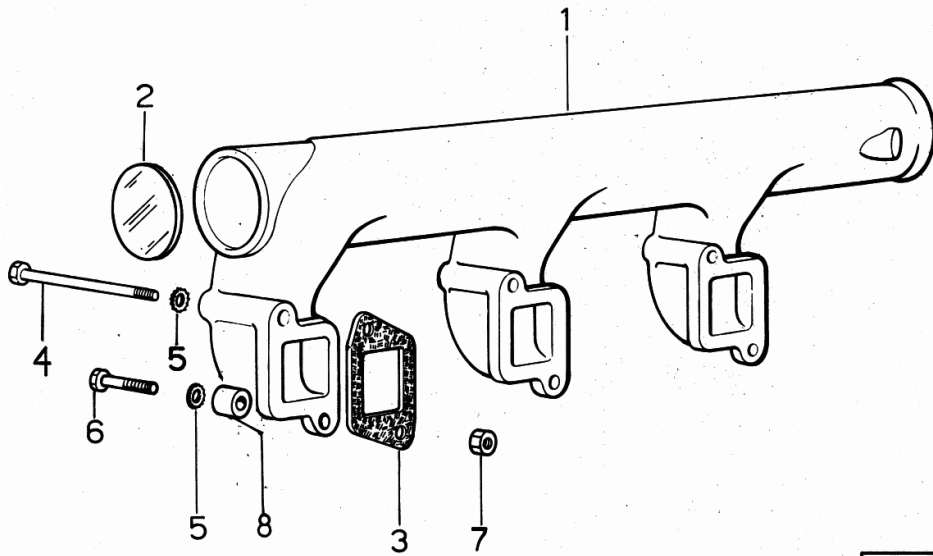


- Please note: If there is no response to CLICKING the link, please download this PDF first and then click on it.

CLICK HERE TO **DOWNLOAD** THE COMPLETE MANUAL

Section: ENGINE
INTAKE AND EXHAUST

Fig.	Code	QTY	Name
1	0.038.1820.3/20	1	air intake manifold
2	2.3170.020.1	1	expansion plug 50
3	0.029.1855.0	3	gasket
4	2.0112.227.2	3	screw m 8 p.1.25 x 90
5	2.1474.009.1	6	spring washer 8
6	2.0112.215.2	3	screw m 8 p.1.25 x 40
7	2.1011.305.2	2	nut m 8 p.1 x 8
8	2.1579.018.0	1	spacer



198.00-13 2

Section: FRONT AXEL
2WD - EXTENDIBLE AXLE

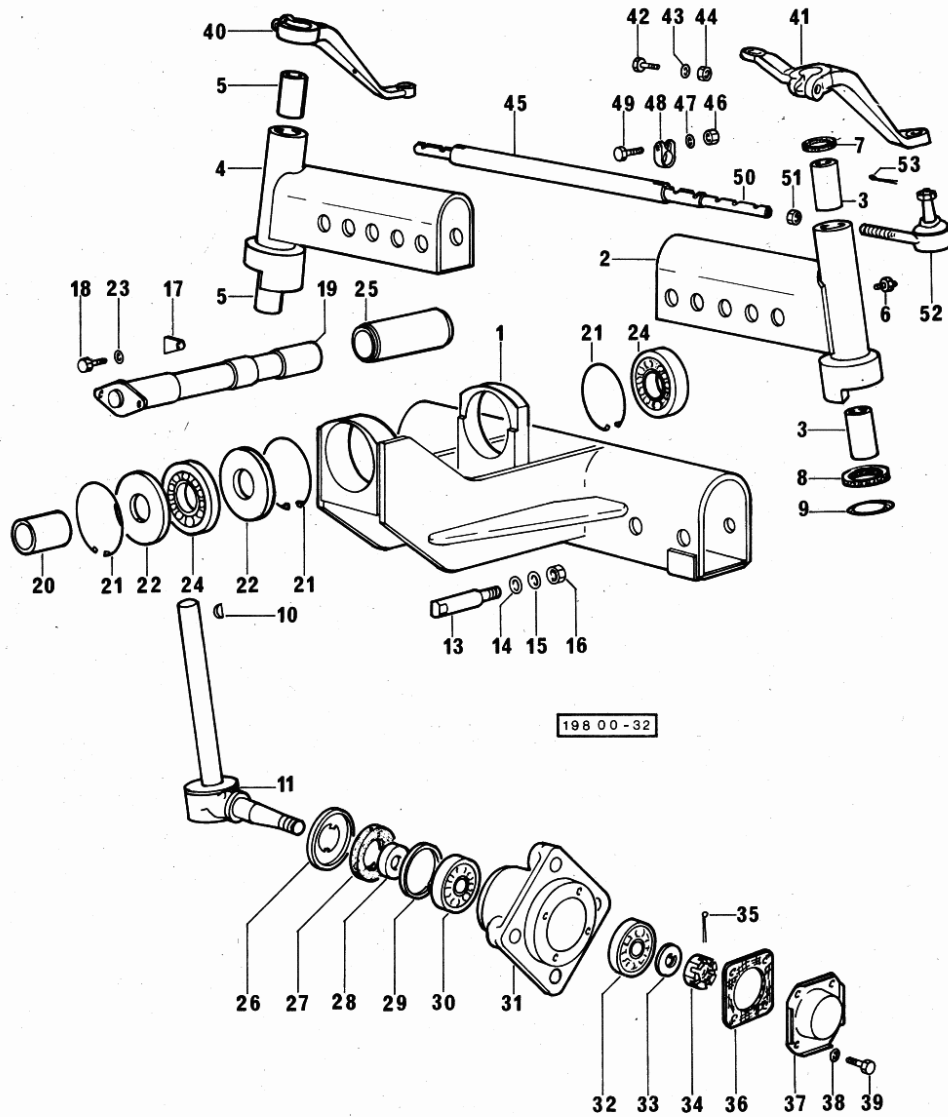


Fig.	Code	QTY	Name
45	0.198.4235.0	1	tube
46	2.1011.321.2	4	nut m 10 p.1.25
47	2.1470.006.2	4	lock washer 10
48	0.001.3861.0	4	terminal
49	2.0122.367.2	4	screw m 10 p.1.25 x 45
50	0.198.4234.0	2	rod
51	2.1011.509.1	2	nut
52	0.146.4237.4	2	ball joint
53	2.1690.310.0	2	split pin

Section: GEAR
CLUTCH CONTROL

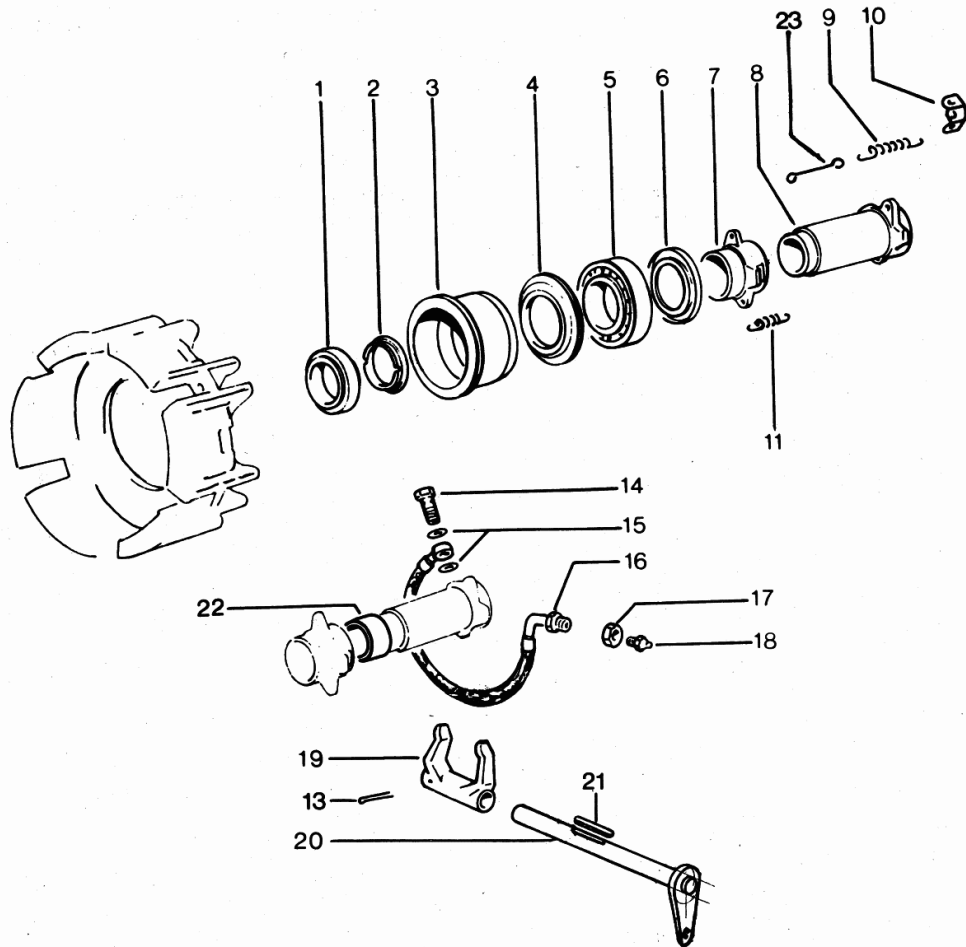
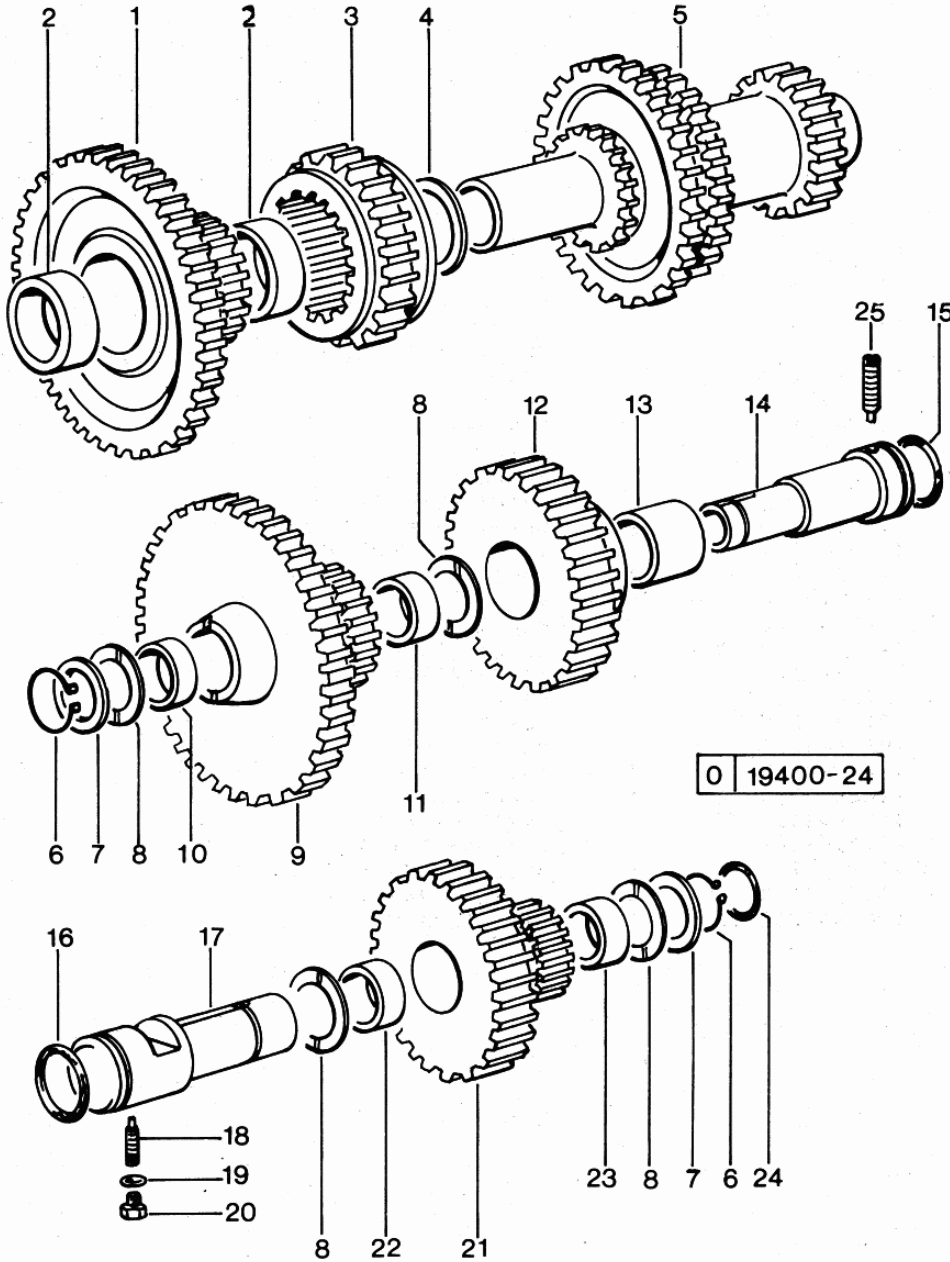


Fig.	Code	QTY	Name
1	2.2999.003.0	1	bearing 65x102x27
2	0.135.6569.0	1	spacer
3	0.194.6550.0	1	cap-washer
4	2.1519.017.0	1	'o' ring
5	2.2040.019.0	1	ball bearing
6	2.1516.016.0	1	ring
7	0.135.6544.0	1	sleeve
8	0.135.6543.0	1	sleeve
9	2.4049.099.1	2	spring
10	0.135.6552.0	2	small plate
11	2.4049.099.1	2	spring
13	2.1690.408.0	1	split pin
14	2.3332.002.1	1	pipe union m 10 p.1.25
15	2.1560.006.0	2	gasket 10.2 x 16
16	0.135.6564.3/10	1	tube
17	2.1011.510.1	1	nut m 18 p.1.5
18	2.3820.105.2	1	lubricator m 10 p.1 x 7
19	0.135.6542.0	1	fork
20	0.198.6530.2	1	shaft
21	2.1710.113.0	1	key
22	0.194.6551.0	1	spacer
23	0.194.6562.0	2	clevis

Section: GEAR
SUPER REDUCTION GEAR UNIT

Fig.	Code	QTY	Name
1	0.194.3750.3/10	1	gear Z = 50
2	2.1559.067.0	2	bushing 44.1x50.1x25
3	0.194.3770.0	1	gear
4	0.146.3752.0	2	washer
5	0.194.3771.0	1	countershaft z=30 z=36 z=27 z=19
6	2.1410.016.1	2	circlip 40
7	2.1599.314.0	2	snoulder
8	0.146.3762.0	4	snoulder
9	0.194.3767.3	1	gear
10	2.1552.223.0	1	bushing
11	2.1552.323.0	1	bushing
12	0.194.3769.3	1	gear
13	2.1552.427.0	1	bushing
14	0.194.3772.0/10	1	shaft
15	2.1530.129.0	1	'o' ring 52.07x2.62
16	2.1530.110.0	1	'o' ring
17	0.194.3773.0	1	shaft
18	2.0522.314.1	1	screw
19	2.1560.206.0	1	gasket
20	2.3119.012.1	1	plug
21	0.194.3768.3	1	gear
22	2.1552.223.0	1	bushing
23	2.1552.323.0	1	bushing
24	2.1530.102.0	1	'o' ring 39.34x2.62
25	2.0522.212.1	1	screw m 8 p.1.25 x 30



VIGNERON 60

S.A.C.

GENERAL

S.A.C. CASE.....	0D.00.1
HYDRAULIC PUMP.....	0D.00.2
LIFTING.....	0D.00.3
REGULATING DISTRIBUTOR.....	0D.00.4
INTERNAL AND EXTERNAL CONTROLS.....	0D.00.5
CONTROL TIE RODS AND LEVERS.....	0D.00.6
SENSITIVE ELEMENTS.....	0D.00.7
HYDRAULIC DIRECTIONAL CONTROL VALVE.....	0D.00.8

CONTROL TIE RODS AND LEVERS

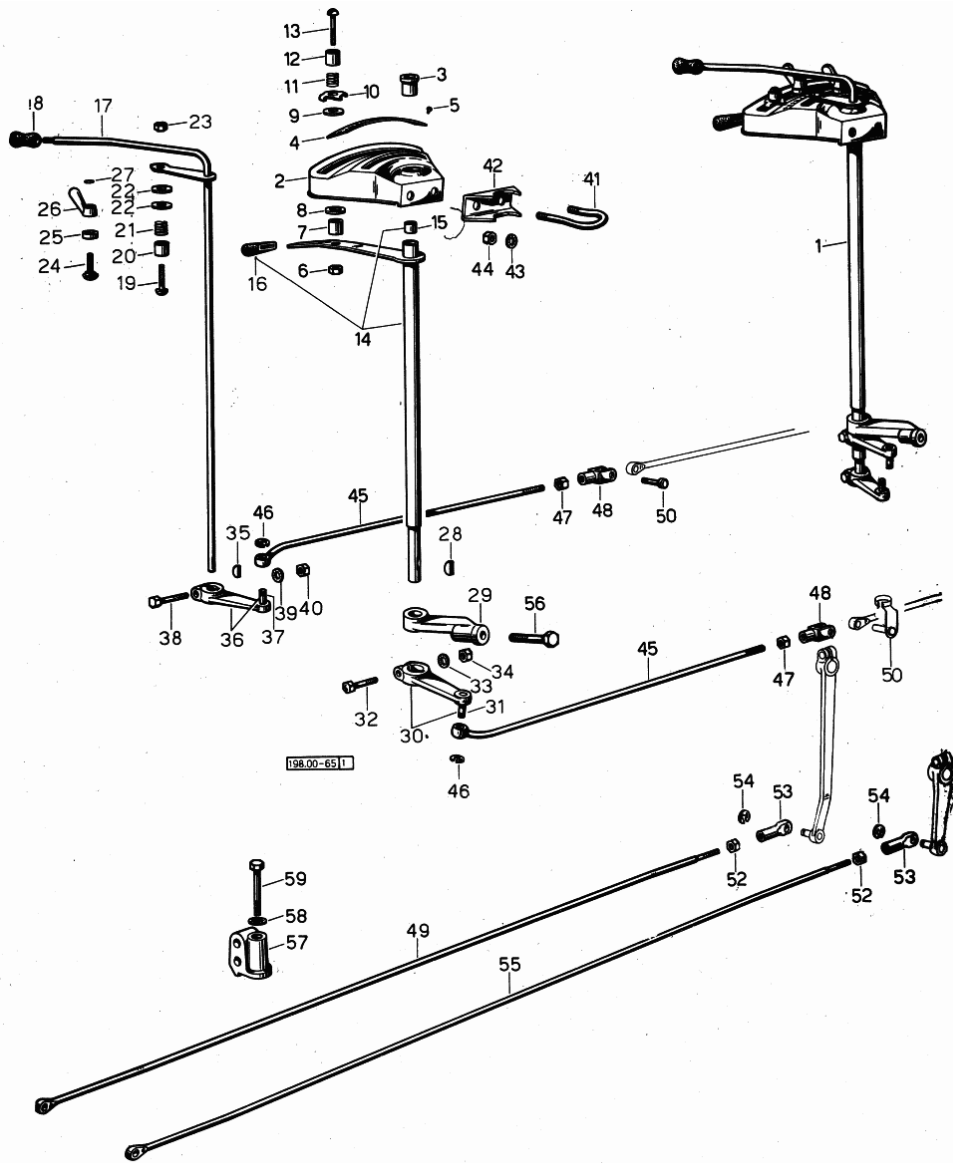


Fig.	Code	QTY	Name
45	0.9058.626.0	2	rod
46	2.1430.008.0	2	ring
47	2.1011.103.2	2	nut m 6 p.1
48	2.3510.003.2	2	fork m 6
49	0.9011.637.0	1	rod
50	0.9058.650.2	2	pin
52	2.1011.103.2	2	nut m 6 p.1
53	0.002.1484.0	2	tip
54	2.1430.008.0	2	ring
55	0.9011.627.0	1	rod
56	2.0112.220.2	1	screw m 8 p.1.25x55
57	0.9011.618.0/10	1	support
58	2.1470.004.2	1	washer 8
59	2.0112.215.2	1	screw m 8 p.1.25 x 40

CLICK HERE TO **DOWNLOAD** THE COMPLETE MANUAL

- Thank you very much for reading the preview of the manual.
- You can download the complete manual from: www.heydownloads.com by clicking the link below



- Please note: If there is no response to CLICKING the link, please download this PDF first and then click on it.

CLICK HERE TO **DOWNLOAD** THE COMPLETE MANUAL