

SOLARIS 40 -> 6001

ACCESSORIES

GENERAL

4-WAY AUXILIARY DISTRIBUTOR.....	0E.00.1
4-WAY AUXILIARY DISTRIBUTOR.....	0E.00.2
4-WAY AUXILIARY DISTRIBUTOR.....	0E.00.3
PIPES/HOSES FOR QUICK ACTION REAR COUPLERS.....	0E.00.4
PIPES/HOSES FOR QUICK ACTION REAR COUPLERS.....	0E.00.5
PIPES/HOSES FOR QUICK ACTION REAR COUPLERS - WITHOUT QUICK ACTION FRONT COUPLERS.....	0E.00.6
PIPES/HOSES FOR QUICK ACTION REAR COUPLERS - WITH QUICK ACTION FRONT COUPLERS.....	0E.00.7
HYDRAULIC SYSTEM WITH CENTRAL AND FRONT QUICK ACTION COUPLERS.....	0E.00.8
HYDRAULIC SYSTEM - MID QUICK SERVICE COUPLERS - FOR MODELS WITHOUT FRONT LIFT.....	0E.00.9
SUPPORT FOR QUICK ACTION REAR COUPLERS.....	0E.00.10
SUPPORT FOR QUICK ACTION REAR COUPLERS - WITH FOLD-DOWN ROPS.....	0E.00.11
SUPPORT FOR QUICK ACTION REAR COUPLERS.....	0E.00.12
3 POINT HITCH.....	0E.00.13
3 POINT HITCH.....	0E.00.14
THREE-POINT COUPLING - TOP/LOWER LINK.....	0E.00.15
THREE-POINT COUPLING - TOP/LOWER LINK.....	0E.00.16
THREE-POINT COUPLING - TOP/LOWER LINK.....	0E.00.17
TOWING BAR.....	0E.00.18
FRONT TOWING HITCH.....	0E.00.19
TOWING HOOK WITH FRONT POWER-LIFT.....	0E.00.20
REAR TOWING HITCH CAT. " C ".....	0E.00.21
REAR TOWING HITCH.....	0E.00.22
TOWING HITCH.....	0E.00.23
REAR OSCILLATING HITCH.....	0E.00.24
WHEEL BALLAST.....	0E.00.25
FRONT BALLAST Kg 60.....	0E.00.26
BRACKET FOR TOOL BOX.....	0E.00.27
BRACKET FOR TOOL BOX.....	0E.00.28
LUBRICATOR.....	0E.00.29
TOOL POUCH.....	0E.00.30
DRAWBAR COUPLING.....	0.012.4295.4.A
ENGAGEMENT.....	0.98308.50.3/10.A
ENGAGEMENT.....	0.98309.50.3/10.A

CLICK HERE TO **DOWNLOAD** THE COMPLETE MANUAL

- Thank you very much for reading the preview of the manual.
- You can download the complete manual from: www.heydownloads.com by clicking the link below

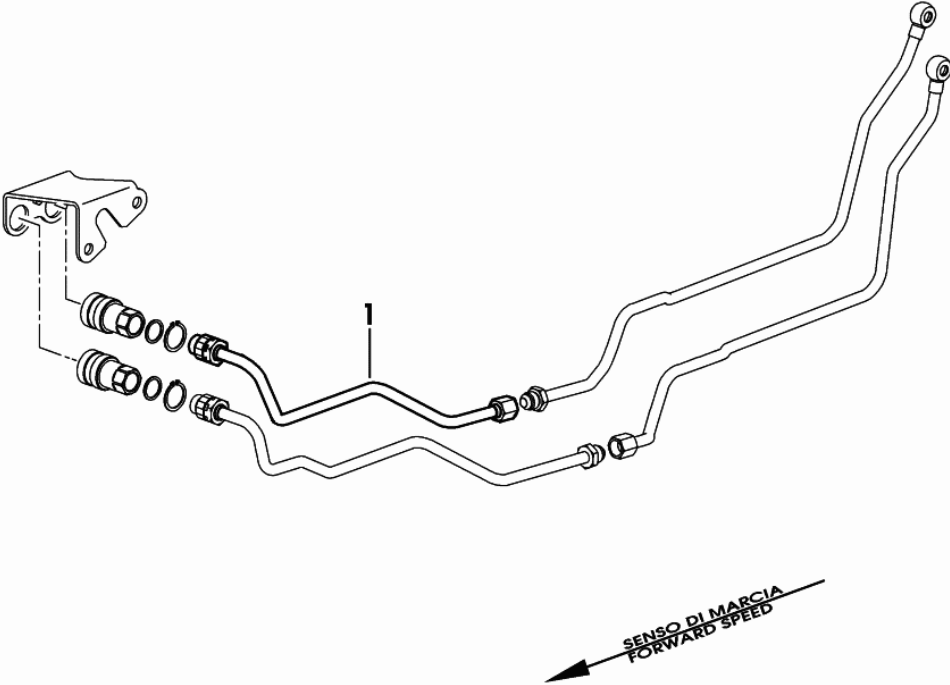


- Please note: If there is no response to CLICKING the link, please download this PDF first and then click on it.

CLICK HERE TO **DOWNLOAD** THE COMPLETE MANUAL

HYDRAULIC SYSTEM - MID QUICK SERVICE COUPLERS - FOR MODELS WITHOUT FRONT LIFT

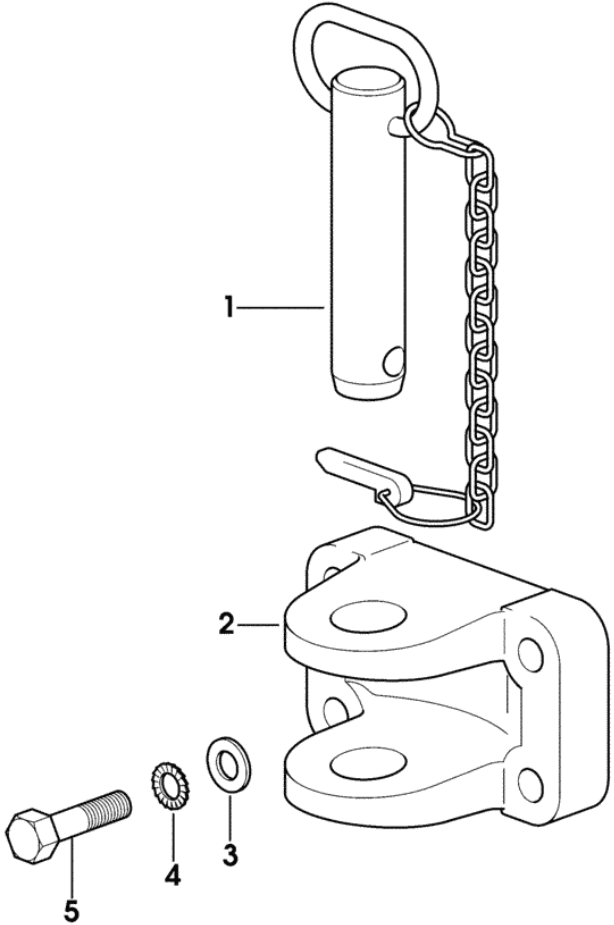
Fig.	Code	QTY	Name
1	0.013.9839.3	1	tube



W9_A5088_06_0_0

Section: ACCESSORIES
FRONT TOWING HITCH

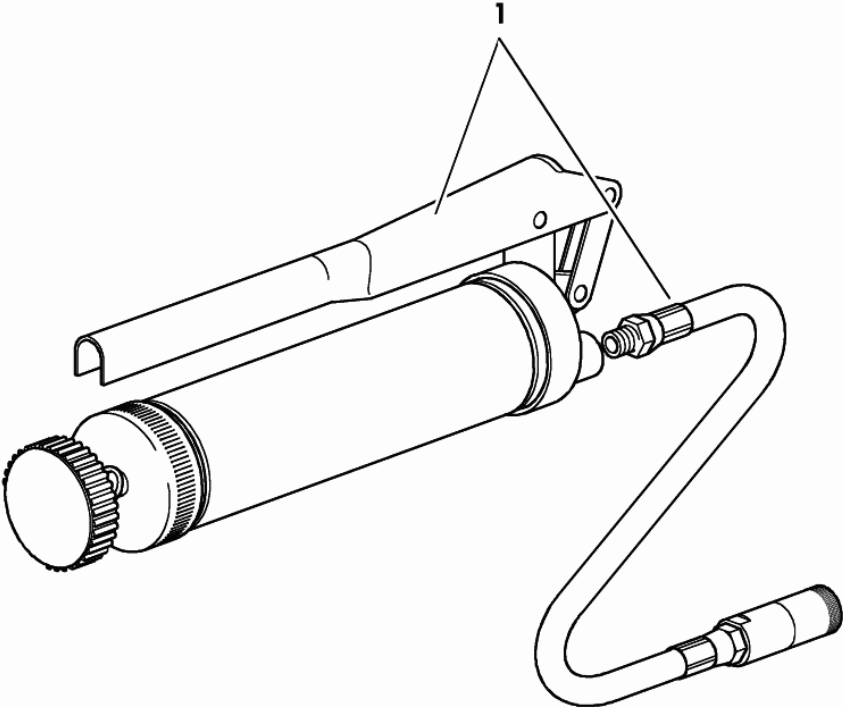
Fig.	Code	QTY	Name
1	0.96309.51.3	1	pin Ø 32
2	0.96309.20.0/20	1	tow hook
3	2.1310.007.2	4	flat washer 13.5
4	2.1470.007.2	4	lock washer 12
5	2.0112.419.2	4	screw m 12 p.1.75 x 50



9_53252_31_0_0

LUBRICATOR

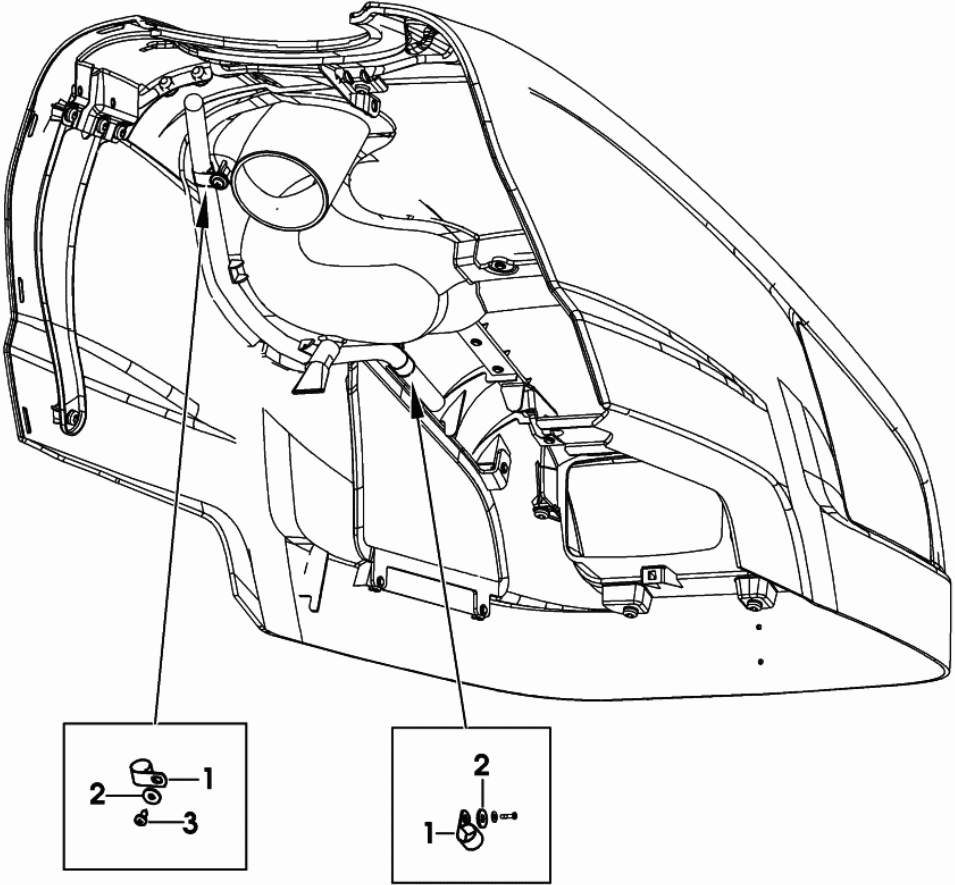
Fig.	Code	QTY	Name
1	0.011.6506.3	1	lubricator



9_59273_01_0_0

Section: BODY WORK
UNDER HOOD WIRING FIXING

Fig.	Code	QTY	Name
1	2.6830.009.2	2	clamp
2	2.1310.002.2	2	washer 6.6, d125
3	2.0350.504.3	1	screw m 4.8x13B



W9_A4872_11_0_0

Section: BODY WORK
HOOD CATCH

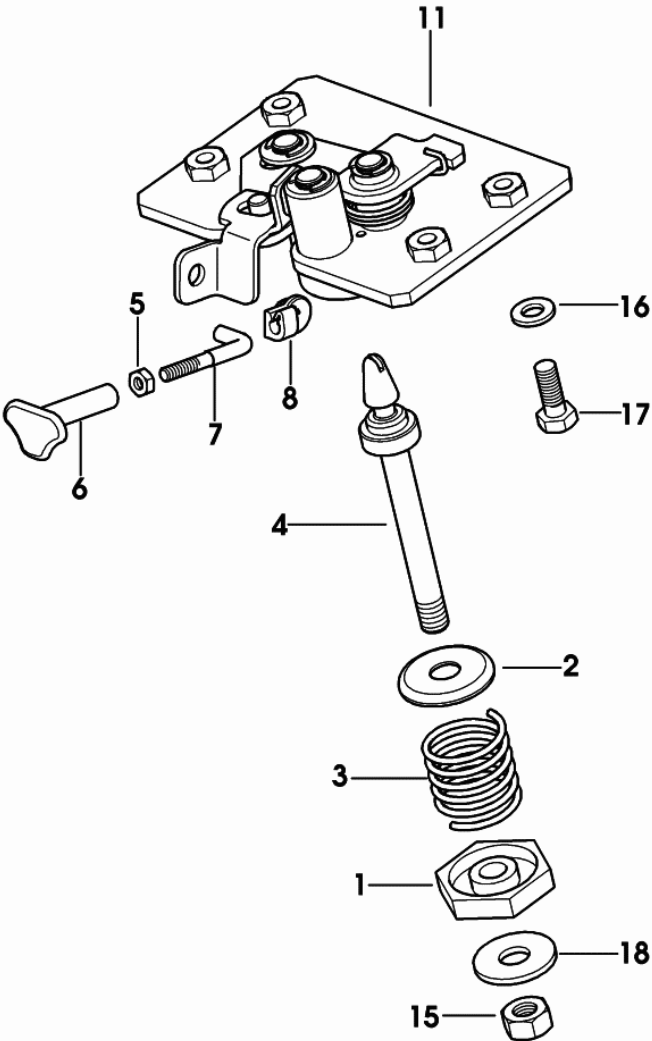


Fig.	Code	QTY	Name
1	0.010.0849.0	1	ring nut
2	0.009.7867.0	1	bottom
3	2.4019.732.2/10	1	spring
4	0.012.2037.0/10	1	pin
5	2.1011.101.2	1	nut m 4 p.0.7
6	0.013.2024.0/20	1	push-button
7	0.012.2039.0	1	pin
8	0.009.1165.0	1	spring
11	0.012.4920.4/20	1	lock
15	2.1120.105.2	1	selflock nut m 8 p.1.25
16	2.1310.002.2	4	washer 6.6, d125
17	2.0112.005.2	4	screw m 6 p.1 x 16
18	2.1312.004.2	1	washer 8.4

9_A4872_03_0_0

Section: BODY WORK
COLLECTION TANK

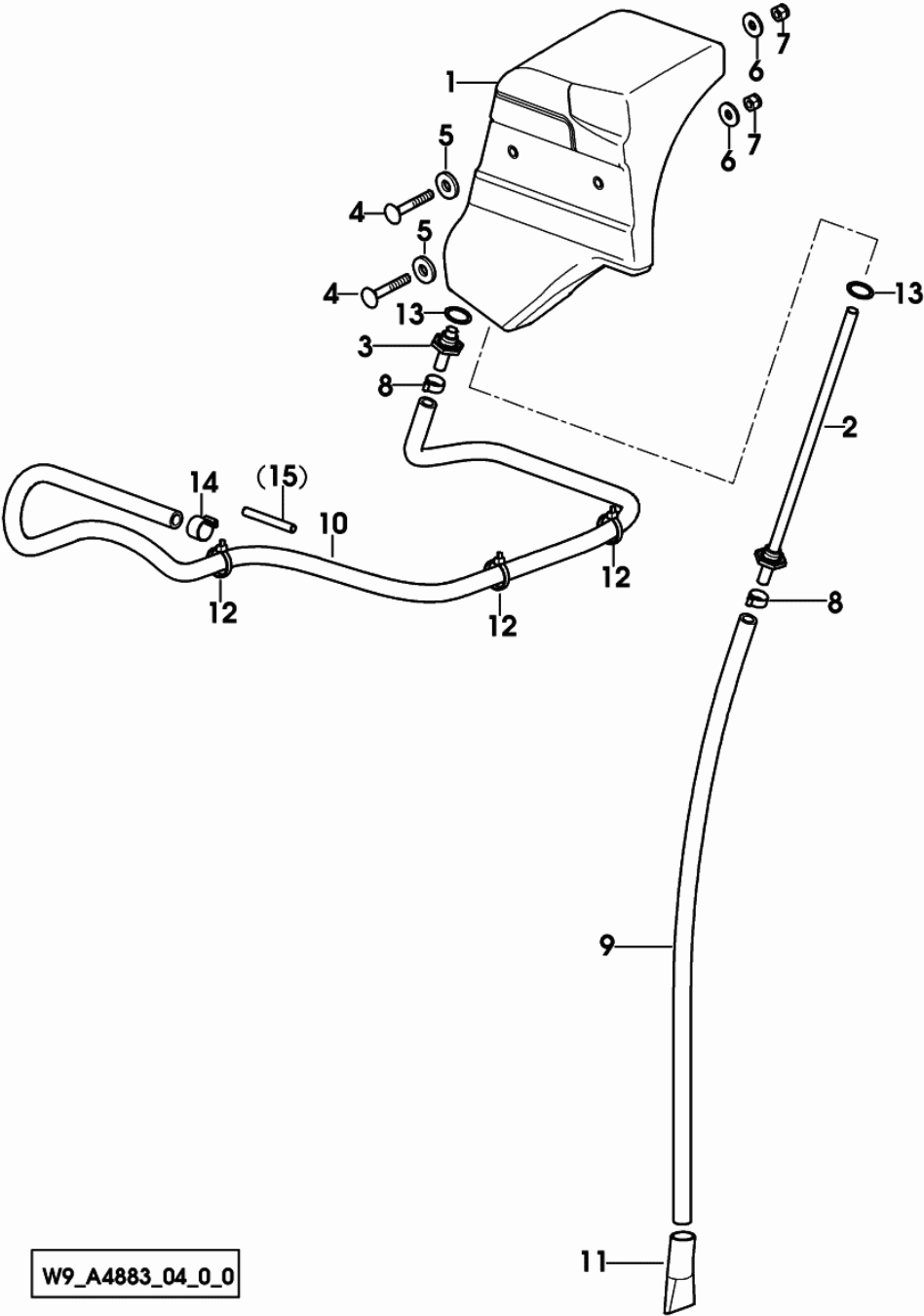
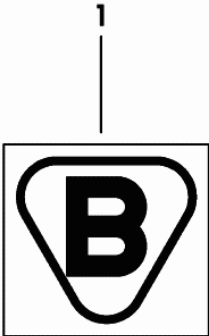


Fig.	Code	QTY	Name
1	0.013.6570.4/20	1	cup
2	0.013.6749.3	1	tube
3	0.013.6829.3	1	tube
4	2.0020.109.2	2	screw m 6 p.1 x 40
5	2.1499.215.0	2	washer 8.5x20x1
6	2.1312.003.2	2	washer 6
7	2.1120.003.2	2	nut m 6
8	2.6857.017.0	2	clamp 13
9	0.013.6765.0	1	tube mm 8x13x600
10	0.013.6764.0	1	tube mm 8x13x1000
11	0.009.0890.0	1	terminal
12	2.6852.101.0	3	clamp 142x3.6
13	2.1530.039.0	2	'o' ring 15.6x1.78
14	2.6857.013.0	1	clamp
15	0.012.4975.0	1	tube mm 4x6x50 6051 <- X SOLARIS 40 (...) <- X SOLARIS 50

W9_A4883_04_0_0

Section: BODY WORK
INFORMATION PLATE

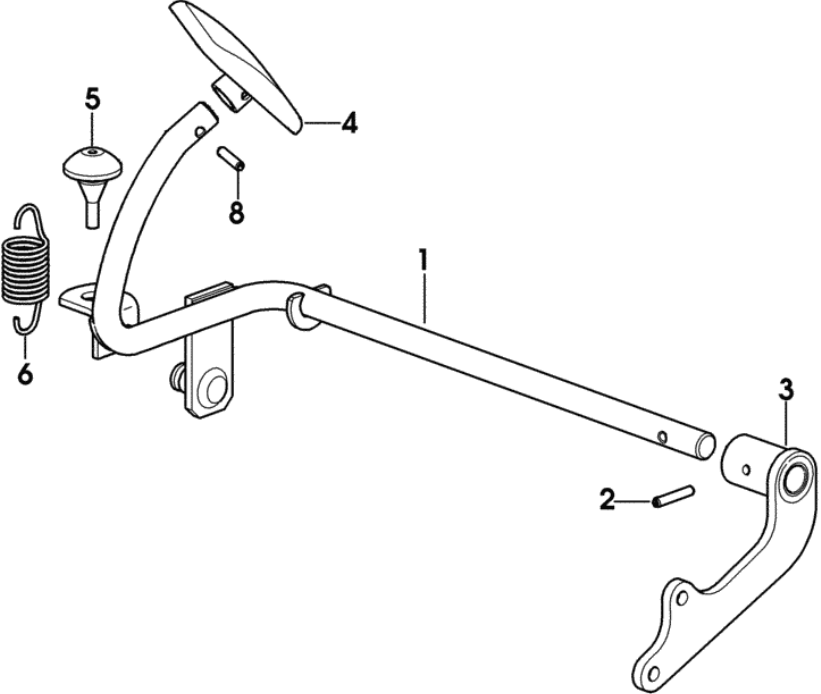
Fig.	Code	QTY	Name
1	2.9929.999.0	1	plate



W9_23874_30_0_0

Section: BODY WORK
THROTTLE

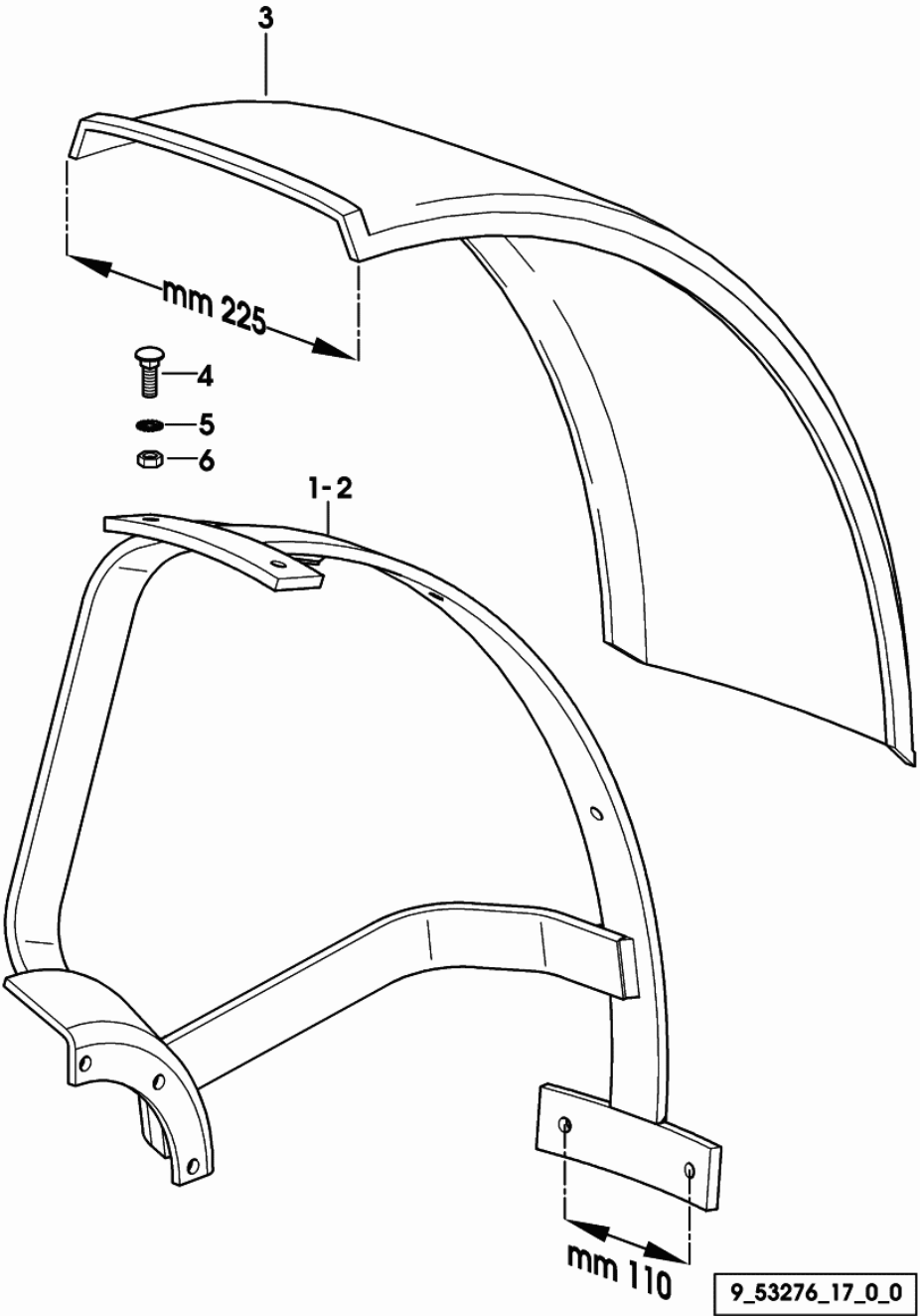
Fig.	Code	QTY	Name
1	0.012.8694.2/20	1	small pedal
2	2.1630.450.2	1	pin 4x22
3	0.012.8693.2/10	1	lever
4	0.463.6710.2	1	pedal
5	0.255.7265.0	1	block
6	2.4049.071.2	1	spring 19 x 52 x 2
8	2.1630.408.9	1	pin 4x16



9_A4867_00_0_0

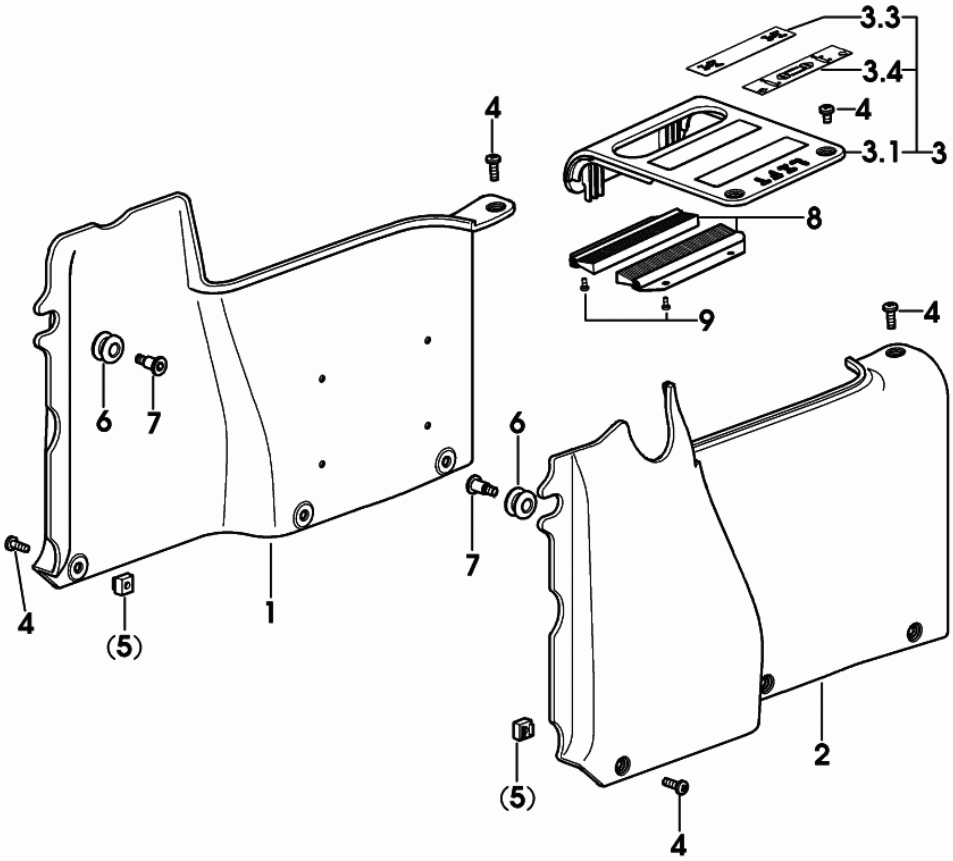
Section: BODY WORK
FRONT MUDGUARDS mm 225

Fig.	Code	QTY	Name
1	0.009.6382.3/20	1	support dx/rh/re
2	0.009.6383.3/20	1	support sx/lh/li
3	0.009.6378.0	2	fender mm 225
4	2.0020.206.2	12	screw m 8 p.1.25 x 25
5	2.1470.004.2	12	washer 8
6	2.1011.105.2	12	nut m 8 p.1.25

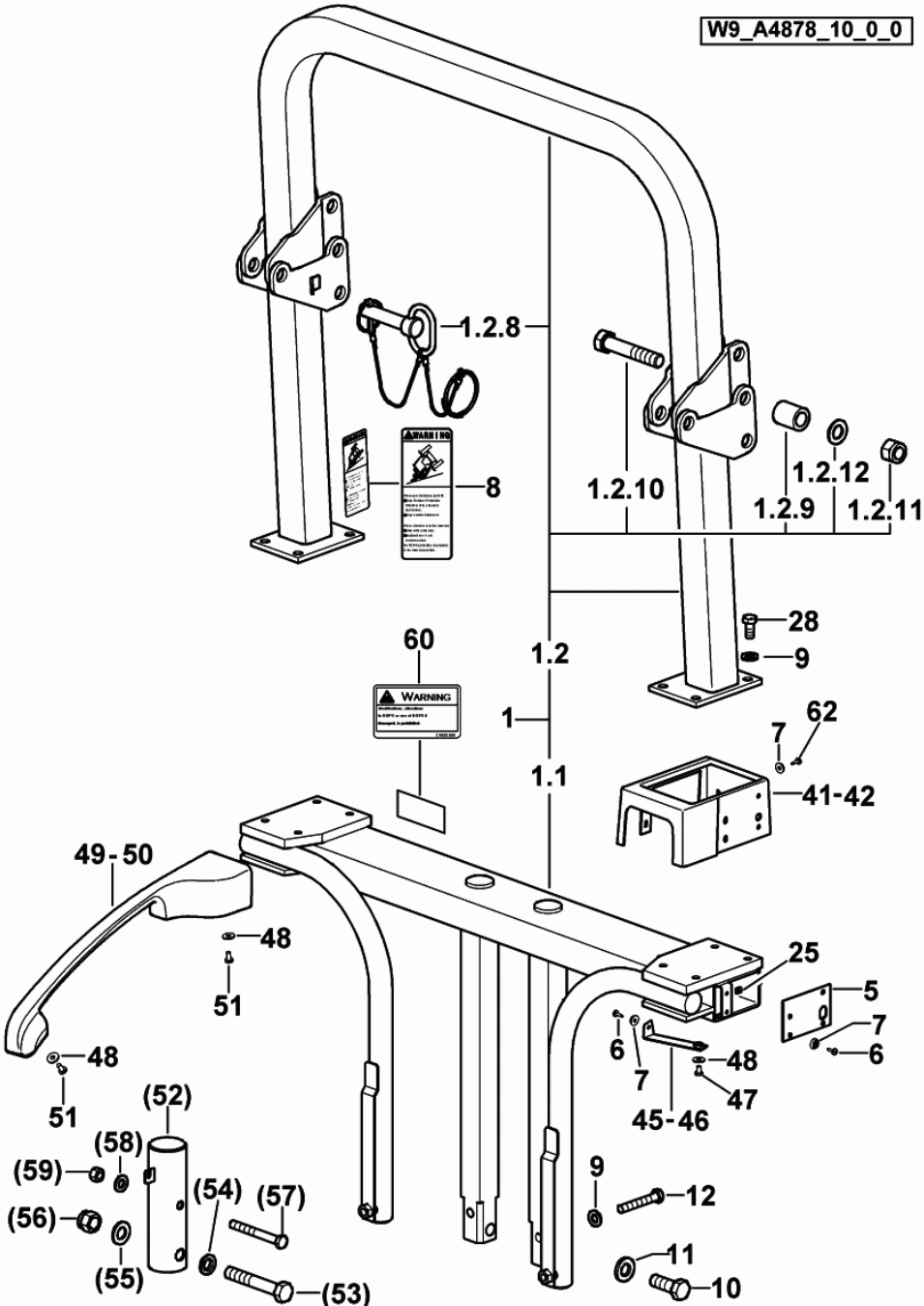


Section: BODY WORK
COVER PLATE

Fig.	Code	QTY	Name
1	0.013.4271.0/10	1	cover dx/rh/re
2	0.013.3780.0	1	cover sx/lh/li
3	0.013.4315.3/10	1	cover
3.1	0.000.0000.1	0	not serviceable
3.3	2.9929.354.0	1	plate 4 WD
3.4	0.013.4335.0	1	plate
4	2.0332.302.2	10	screw m 5x8 6051 <- X SOLARIS 40 (...) <- X SOLARIS 50
4	2.0332.304.2	10	screw m 5 p.0.8 x 12 -> 6052 X SOLARIS 40 -> (...) X SOLARIS 50
5	2.6999.033.2	6	special nut m 5 6051 <- X SOLARIS 40 (...) <- X SOLARIS 50
6	2.6569.507.0	2	wire guide
7	2.0399.249.3/10	2	screw m 6 x 20
8	0.013.4316.0/10	2	guard
9	2.0350.102.3	4	screw 2.9x6.5



9_A4876_02_0_0



W9_A4878_10_0_0

Section: BODY WORK
SAFETY ARCH

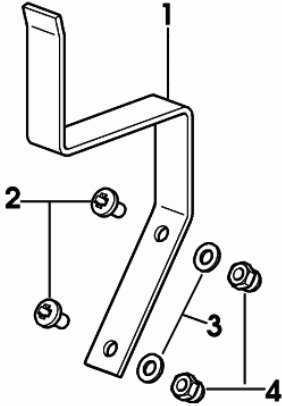
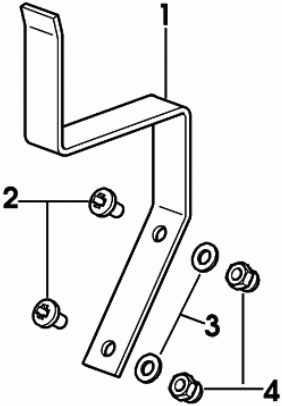
Fig.	Code	QTY	Name
1	0.013.4147.4/10	1	safety frame
1.1	0.000.0000.1	0	not serviceable
1.2	0.000.0000.1	0	not serviceable
1.2.8	0.010.4049.4	2	pin
1.2.9	2.1549.332.2/10	2	spacer 20.8x35x42.5
1.2.10	2.0119.216.2	2	screw m 20 p.2.5 x 110
1.2.11	2.1120.011.2	2	nut m 20 p.2.5
1.2.12	2.1310.013.2	2	flat washer 21x37
5	0.010.9879.0/10	2	square
6	2.0350.505.3	6	screw 4.8x16
7	0.9200.358.0	10	washer 5.4x10x15.8
8	2.9929.519.0	1	plate
9	2.1475.204.6	10	washer 12
10	2.0122.719.6	2	screw m 18 p.1.5x50
11	2.1475.107.6	2	washer 18
12	2.0112.424.2	2	screw m 12 p.1.75x75
25	2.6999.063.0	4	small spring
28	2.0112.409.2	8	screw m 12 p.1.75 x 25
41	0.013.6492.0/10	1	guard dx/rh/re
42	0.013.6493.0/10	1	guard sx/lh/li
45	0.013.6498.3	1	square dx/rh/re
46	0.013.6499.3	1	square sx/lh/li
47	2.0332.403.2	2	screw m 6 p.1 x 10
48	2.1312.003.3	8	washer 6.6 x 18
49	0.013.6490.3	1	handle dx/rh/re
50	0.013.6491.3	1	handle sx/lh/li
51	2.0332.404.2	6	screw m 6 x 12
52	0.013.6488.3	2	support
53	2.0122.731.2	2	6038 <- X SOLARIS 40 6032 <- X SOLARIS 50 screw m 18 p.1.5x110
54	2.1549.103.2	2	6038 <- X SOLARIS 40 6032 <- X SOLARIS 50 spacer 18.5x24x30x6
55	2.1310.011.2	2	6038 <- X SOLARIS 40 6032 <- X SOLARIS 50 flat washer 19x34
56	2.1120.210.2	2	6038 <- X SOLARIS 40 6032 <- X SOLARIS 50 selflock nut m 18 p.1.5
57	2.0112.429.2	2	6038 <- X SOLARIS 40 6032 <- X SOLARIS 50 screw m 12 p.1.75x100
			6038 <- X SOLARIS 40

Section: BODY WORK
TRIANGLE SUPPORT

Fig.	Code	QTY	Name
------	------	-----	------

Notes:
-> 6039 X SOLARIS 40 -> 6033 X SOLARIS 50

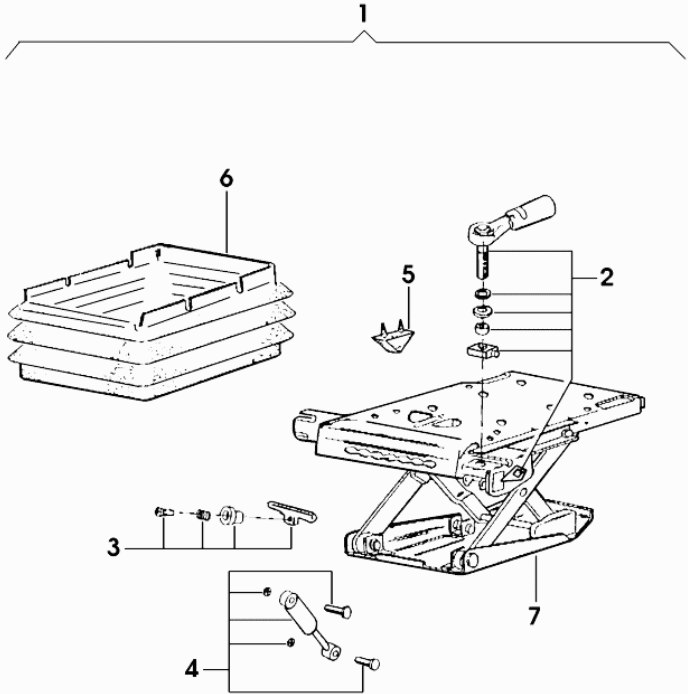
1	0.014.0044.0	2	support
2	2.0332.403.2	4	screw m 6 p.1 x 10
3	2.1310.002.2	4	washer 6.6, d125
4	2.1030.001.7	4	nut m 6



W9_A4873_08_0_0

Section: BODY WORK
SEAT SPRINGING

Fig.	Code	QTY	Name
1	0.010.5356.4	1	seat springs KAB XH2
2	0.010.2228.0	1	handle
3	0.010.2228.1	1	accessories
4	0.010.2228.2	1	shoch.absorber
5	0.010.2229.0	1	stopper
6	0.010.2229.1	1	guard
7	0.000.0000.1	0	not serviceable

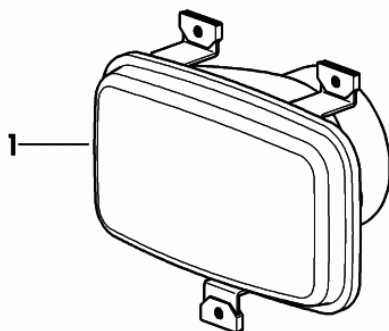


010_5356_4

Section: ELECTRIC AL SYSTEM

HEADLAMP FOR LEFT-HAND DRIVE

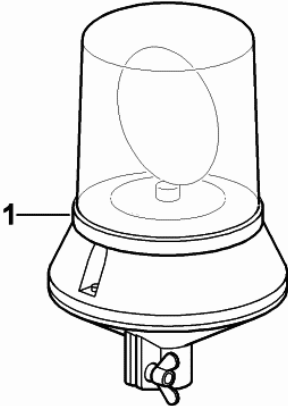
Fig.	Code	QTY	Name
1	2.8039.290.0	2	lamp sx/lh/li COMPONENT PARTS SEE COMPONENTS LIST ☞ 2.8039.290.0 ☞ 08.00.27



9_A4885_22_0_0

WARNING BEACON

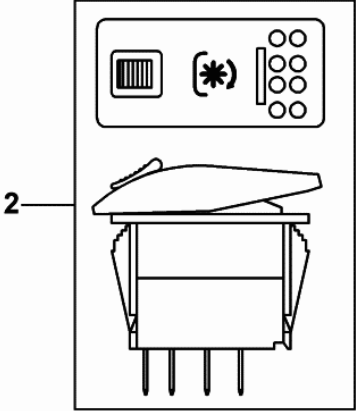
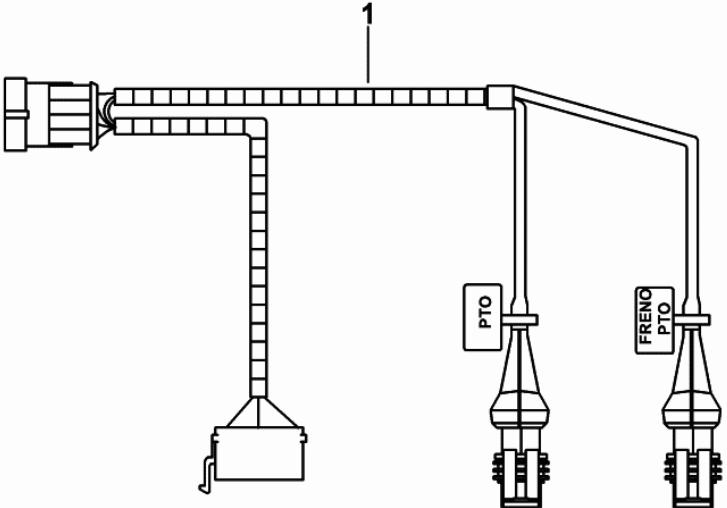
Fig.	Code	QTY	Name
1	0.009.6758.4/10	1	blinker COMPONENT PARTS SEE COMPONENTS LIST ☞ 0.009.6758.4/10 ☞ 08.00.37



W9_62085_24_0_0

Section: ELECTRIC AL SYSTEM
ELECTRICAL SYSTEM P.T.O.

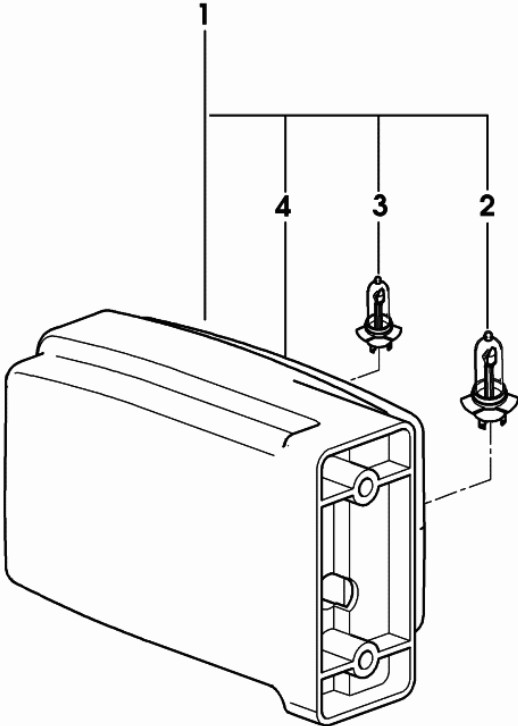
Fig.	Code	QTY	Name
1	0.014.2645.4	1	u bolt
2	2.7659.262.0	1	switch P.T.O.



W9_A4984_10_0_0

REAR LIGHT

Fig.	Code	QTY	Name
1	2.8039.090.0	1	side lamp dx/rh/re
2	2.8313.001.0	1	lamp 12V 21W
3	2.8313.003.0	1	lamp 12V 5W
4	0.900.0137.5	1	light body



2_8039_090_0

SOLARIS 40 -> 6001

ENGINE

GENERAL

CYLINDER HEAD.....	01.00.1
CYLINDER HEAD.....	01.00.3
CYLINDER HEAD COVER.....	01.00.4
CAMSHAFT.....	01.00.5
CRANKCASE.....	01.00.6
MAIN BEARINGS.....	01.00.8
TIMING CASE.....	01.00.9
FLYWHEEL HOUSING.....	01.00.10
OIL PAN.....	01.00.11
PISTON - CONNECTING ROD.....	01.00.12
CRANKSHAFT - FLYWHEEL.....	01.00.14
CAMSHAFT.....	01.00.16
INTAKE AND EXHAUST.....	01.00.17
OIL PUMP.....	01.00.19
LUBRICATION.....	01.00.20
OIL PIPES FOR TURBOCHARGER.....	01.00.21
LUBRIC. OIL COOLER.....	01.00.23
LUBRIC. OIL FILTER.....	01.00.25
COOLING.....	01.00.26
FUEL SUPPLY SYSTEM.....	01.00.27
INJECTOR NOZZLE HOLDER COMPONENTS.....	01.00.28
INJECTION PUMP PARTS.....	01.00.29
FUEL FILTER.....	01.00.31
CONTROLLER.....	01.00.32
ELECTRICAL SYSTEM.....	01.00.34
STARTER PARTS.....	01.00.35
ALTERNATOR PARTS.....	01.00.36
SOLENOID VALVE.....	01.00.37
THERMOSTAT.....	01.00.38
ACCESSORIES.....	01.00.39
GASKET SET FOR ENGINE ASSEMBLY.....	01.00.41
HYDRAULIC PUMP POWER TAKEOFF.....	01.00.43
OIL FILLER NECK.....	01.00.44
SCREENING.....	01.00.45
BLOWER.....	01.00.46
COOLING.....	01.00.49
PARTS SET - ENGINE MOUNTING.....	01.00.50
EXHAUST SILENCER.....	01.00.51
FLANGE FOR EXHAUST SILENCER.....	01.00.52
FUEL SUPPLY SYSTEM.....	01.00.54

CLICK HERE TO **DOWNLOAD** THE COMPLETE MANUAL

- Thank you very much for reading the preview of the manual.
- You can download the complete manual from: www.heydownloads.com by clicking the link below

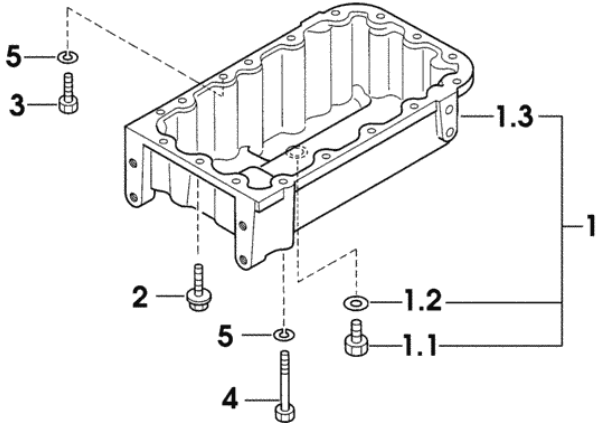
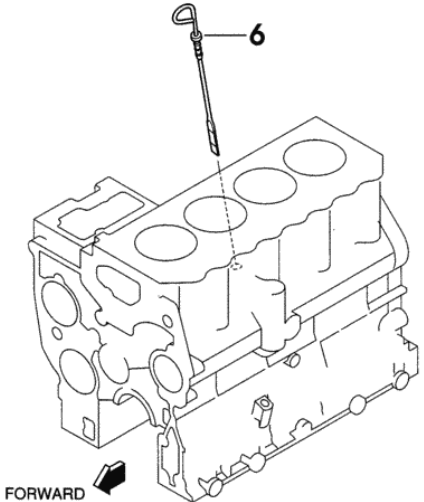


- Please note: If there is no response to CLICKING the link, please download this PDF first and then click on it.

CLICK HERE TO **DOWNLOAD** THE COMPLETE MANUAL

OIL PAN

Fig.	Code	QTY	Name
1	0.010.3954.0	1	oil pan
1.1	0.010.2664.0	1	plug
1.2	0.010.2663.2	1	gasket
1.3	0.000.0000.1	0	not serviceable
2	0.010.3954.1	12	screw
3	0.010.2664.2	1	screw
4	0.010.2665.0	4	screw
5	0.010.2665.1	5	washer
6	0.010.2687.1	1	dipstick



01071-038E

Section: ENGINE
COOLING

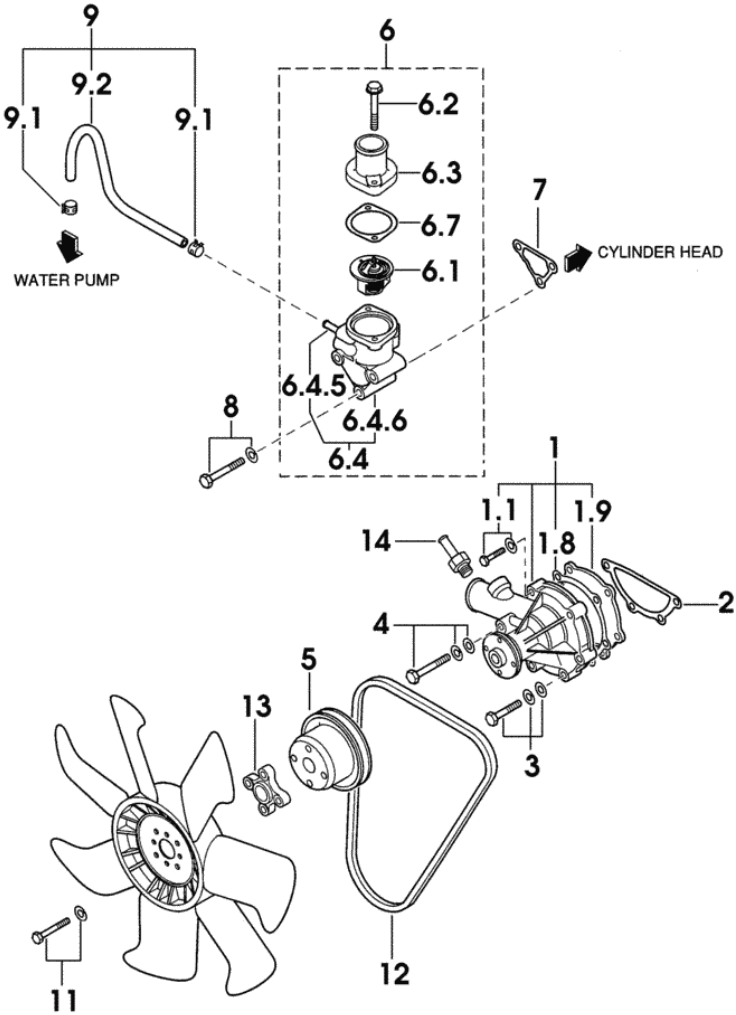
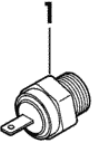


Fig.	Code	QTY	Name
1	0.010.2697.2	1	water pump
1.1	0.010.2691.1	2	screw
1.8	0.009.4636.1	1	gasket
1.9	0.009.4636.2	1	plate
2	0.010.3958.0	1	gasket
3	0.010.3958.1	3	screw
4	0.010.3958.2	1	screw
5	0.010.2698.1	1	pulley
6	0.010.2693.1	1	thermostat
6.1	0.010.2693.2	1	thermostat
6.2	0.010.2694.0	2	screw
6.3	0.010.2694.1	1	cover
6.4	0.010.2694.2	1	body
6.4.5	0.000.0000.1	0	not serviceable
6.4.6	0.000.0000.1	0	not serviceable
6.7	0.010.2695.0	1	gasket
7	0.010.2695.1	1	gasket
8	0.010.2677.2	3	screw
9	0.010.2698.2	1	tube
9.1	0.010.2206.0	2	clamp
9.2	0.010.2699.0	1	tube
11	0.010.3959.1	4	screw
12	0.010.2697.1	1	belt
13	0.009.4773.0	1	spacer
14	0.010.2698.0	1	pipe fitting

04011-076E

Section: ENGINE
THERMOSTAT

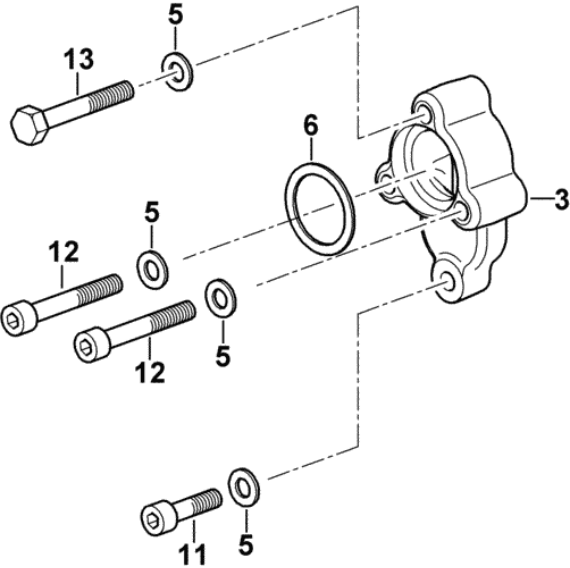
Fig.	Code	QTY	Name
1	0.010.2748.1	1	resistance
2	0.010.2748.2	2	plug
3	0.010.2749.0	3	gasket
4	0.010.2749.1	1	pressure switch



09011-006

FLANGE FOR EXHAUST SILENCER

Fig.	Code	QTY	Name
3	0.013.1338.0	1	flange
5	2.1480.014.2	4	washer 8
6	0.013.1336.0	1	gasket
11	2.0312.210.2	1	screw m 8 p 1.25 x 30
12	2.0312.217.2	2	screw m 8 p.1.25x55
13	2.0112.220.2	1	screw m 8 p.1.25x55



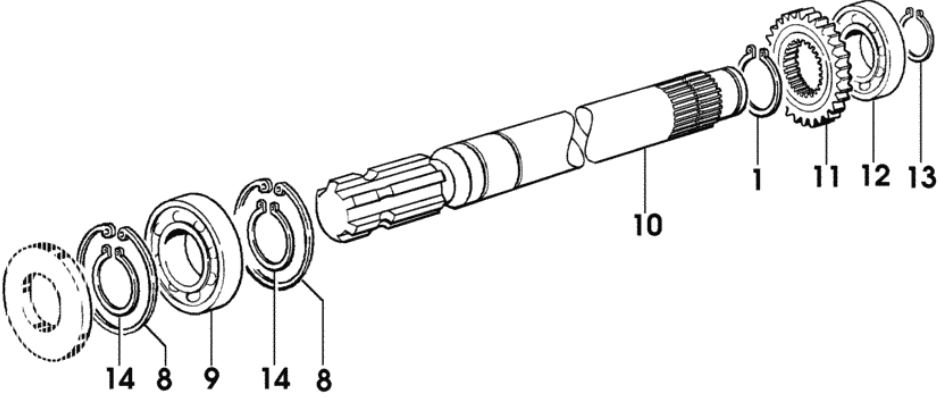
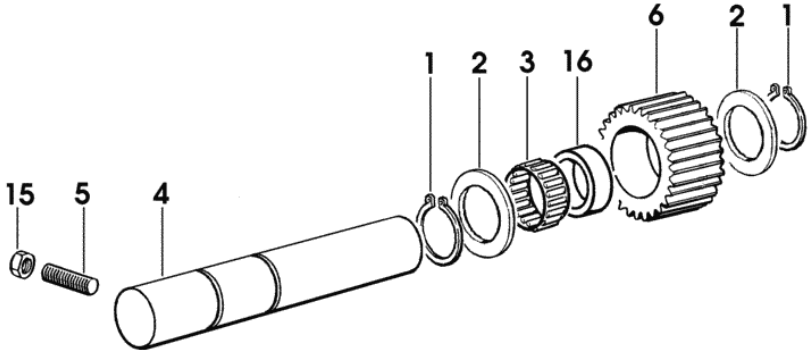
W9_A5256_03_0_0

Section: FRONT AND REAR P.T.O.
CENTRAL P.T.O.

Fig.	Code	QTY	Name
------	------	-----	------

Notes:
6093 <- X SOLARIS 40 6237 <- X SOLARIS 50

1	2.1410.010.1	3	circlip 25
2	2.1599.613.0/10	2	shoulder 25.1x42x3
3	2.2999.222.0	2	roller cage
4	0.008.7241.0/10	1	pin
5	2.0522.212.7	1	screw m 8 p.1.25 x 30
6	0.008.7242.0/10	1	gear
8	2.1411.021.1	2	circlip 52
9	2.2040.007.0	1	ball bearing 25x52x15
10	0.008.7243.0/20	1	p.t.o.shaft
11	0.008.7244.0/10	1	gear
12	2.2060.005.0	1	ball bearing 20x52x15
13	2.1410.006.1	1	circlip 20
14	2.1419.029.7	2	circlip 25
15	2.1120.005.2	1	nut m 8 p.1.25
16	2.1549.241.0	1	spacer



9_55836_04_0_0

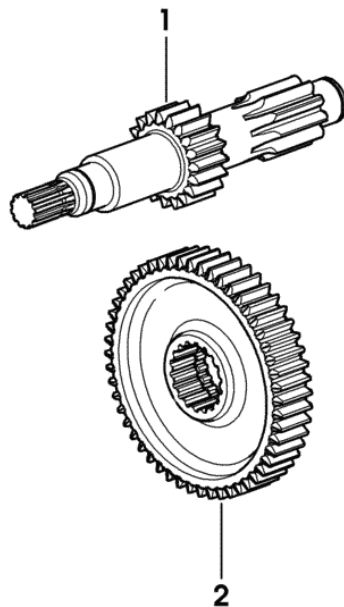
P.T.O. - WITH N' 540 - 750

Fig.	Code	QTY	Name
------	------	-----	------

Notes:

-> 6094 X SOLARIS 40 -> 6238 X SOLARIS 50

1	0.014.0236.0	1	shaft Z = 10 / Z = 15
2	0.014.0215.0	1	gear Z = 56



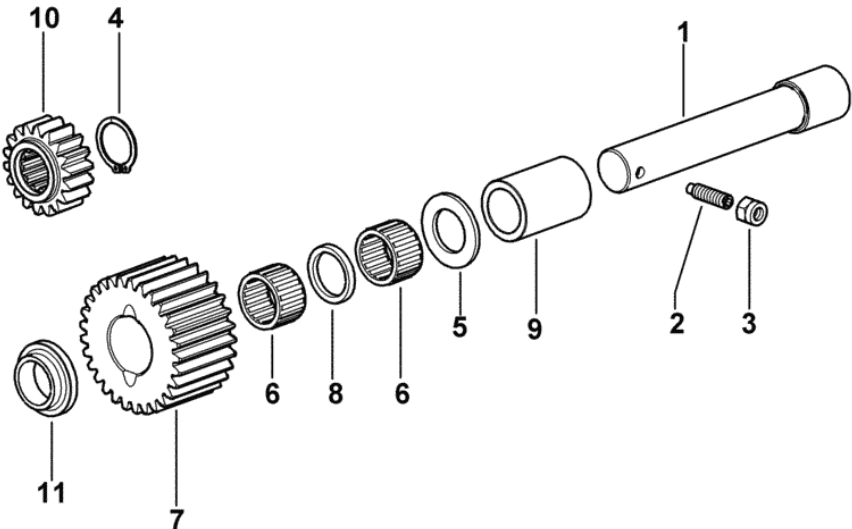
W9_A4836_07_0_0

P.T.O. - SYNCHRONIZED 540 - 1000

Fig.	Code	QTY	Name
------	------	-----	------

Notes:
-> 6094 X SOLARIS 40 -> 6238 X SOLARIS 50

1	0.014.0228.0/10	1	pin
2	2.0522.212.7	1	screw m 8 p.1.25 x 30
3	2.1120.005.2	1	nut m 8 p.1.25
4	2.1410.010.2	1	ring 25
5	2.1599.613.0/10	1	shoulder 25.1x42x3
6	2.2999.222.0	2	roller cage
7	0.014.0207.0	1	gear Z = 29
8	0.014.0229.0	1	spacer 25.5x32.9x4.5
9	0.014.0227.0/10	1	spacer
10	0.014.0222.0	1	gear Z = 18
11	0.014.4283.0	1	shoulder



W9_A4836_16_0_0

Section: FRONT AXEL
FRONT SUPPORT

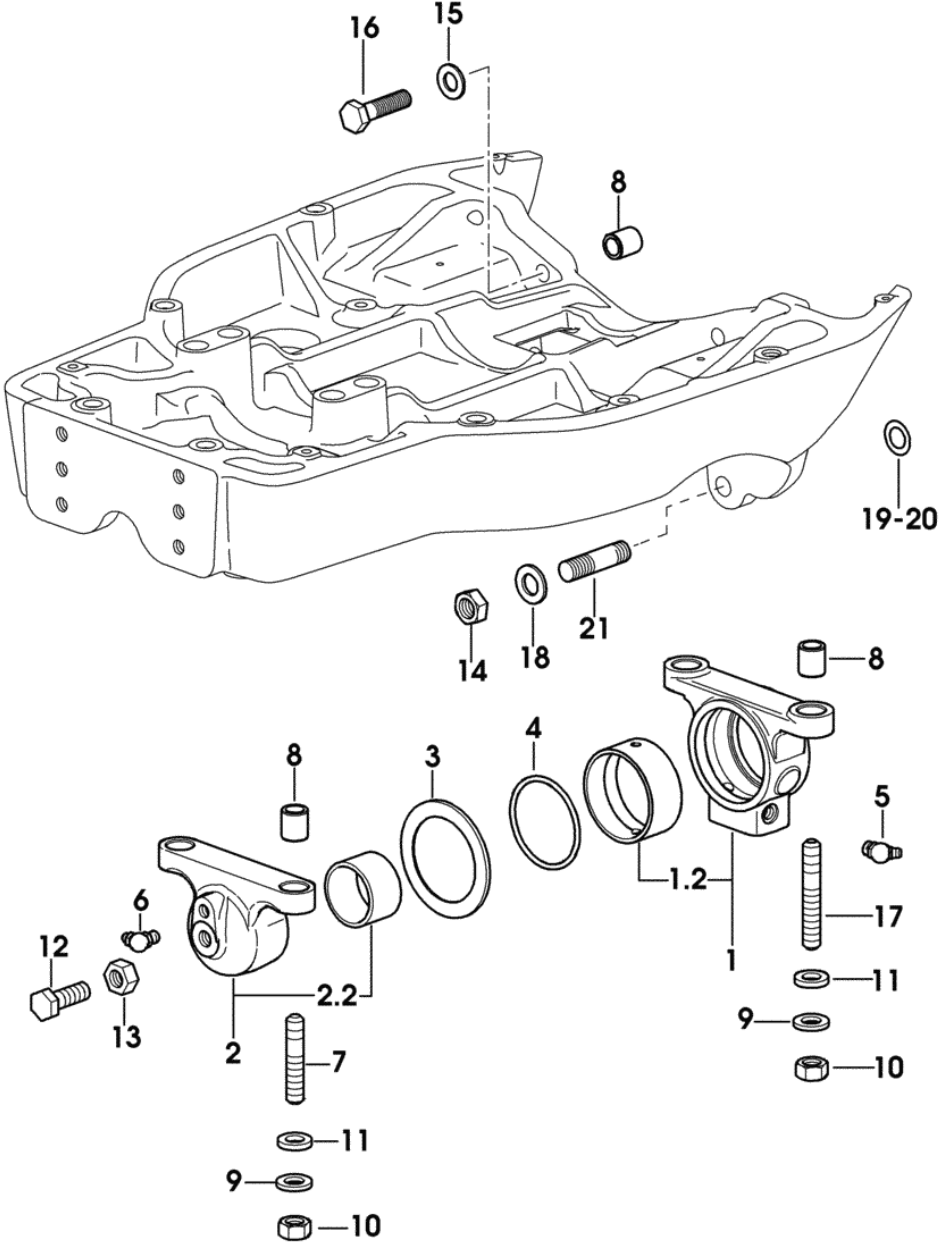
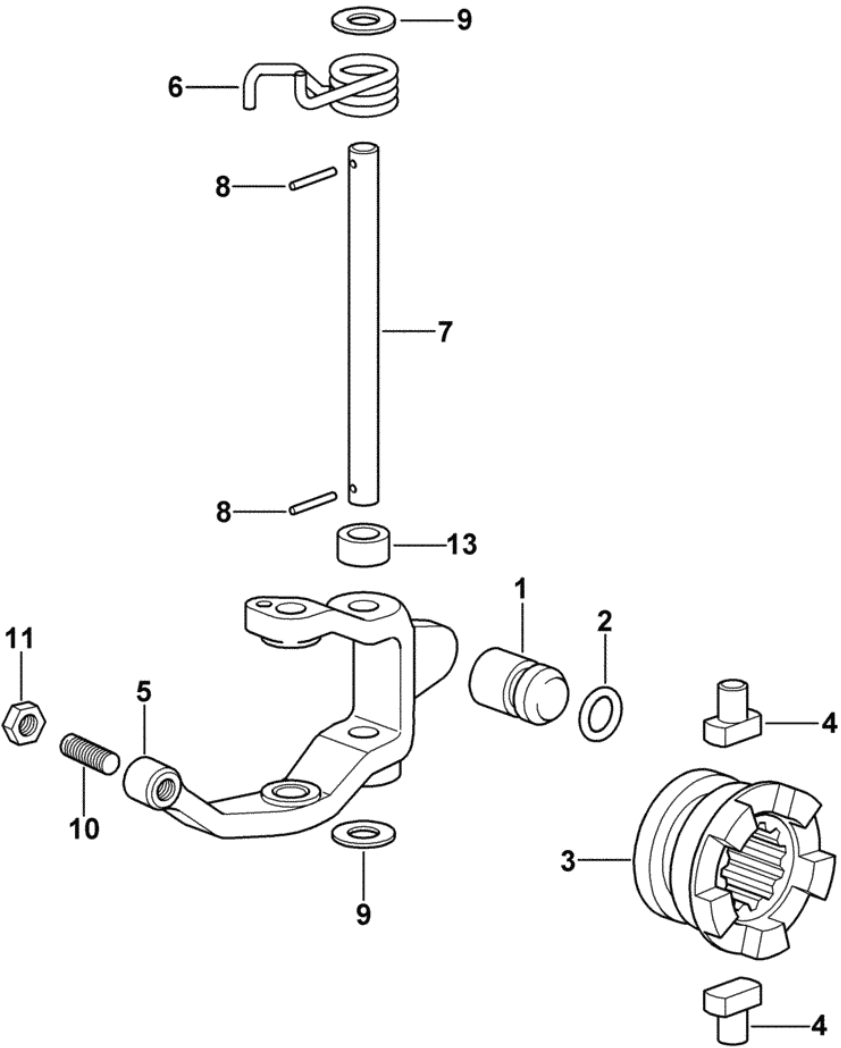


Fig.	Code	QTY	Name
1	0.008.6092.3/40	1	support group
1.2	2.1559.212.0	1	bushing
2	0.008.6090.3/10	1	front support
2.2	2.1559.211.0	1	bushing
3	2.1599.521.0/10	1	snoulder 60.5 x 82 x 3.5
4	2.1530.145.0	1	'o' ring 58.74x3.53
5	2.3821.103.2	1	lubricator m 10 p.1
6	2.3821.302.2	1	lubricator m 8 p.1 x 8
7	2.0432.263.7	2	stud bolt m 12 p.1.75-1.25x45
8	2.1559.210.0	6	bushing
9	2.1475.204.7	4	washer 12x3.2
10	2.1011.422.2	4	nut m 12 p.1.25
11	2.1599.144.7	4	snoulder 12.5x23x4
12	2.0129.057.2	1	screw m 12 p.1.25 x 35
13	2.1011.522.2	1	nut m 12 p.1.25
14	2.1011.408.2	4	nut m 14 p.1.5
15	2.1475.004.2	2	washer 12
16	2.0122.467.2	2	screw m 12 p.1,25x45
17	2.0432.267.7	2	stud bolt m 12 p.1.75-1.25x60
18	2.1475.005.2	4	washer 14
19	2.1589.487.0	1	shim 13x24x0.2
20	2.1589.488.0	1	shim 13x24x0.3
21	2.0439.265.2/10	4	stud bolt m 14 p.1.5x62

9_A4852_03_0_0

DIFFERENTIAL - WITH DIFFERENTIAL LOCK

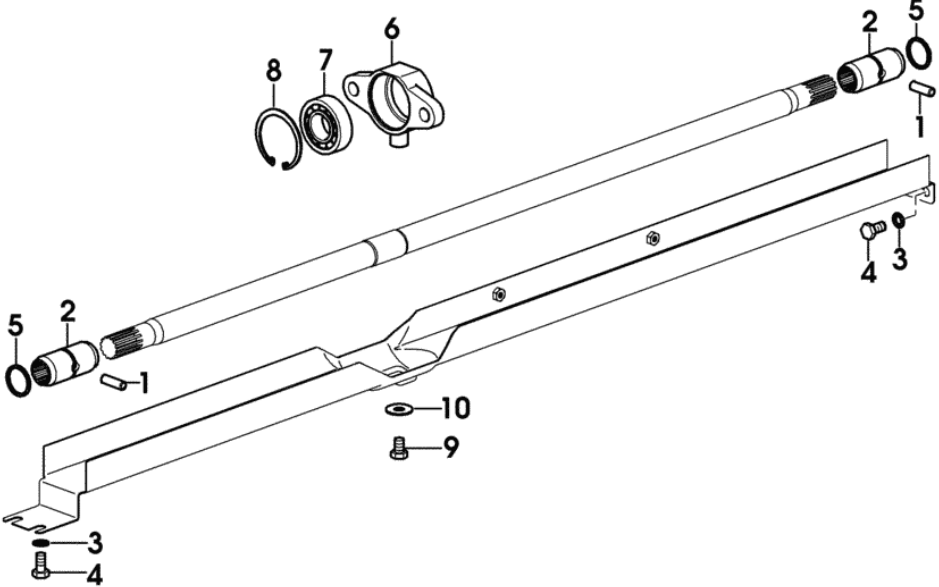
Fig.	Code	QTY	Name
1	0.008.7762.0	1	piston
2	2.1530.024.0	1	'o' ring 10.78 x 2.62
3	0.008.7763.0/10	1	sleeve
4	0.008.7764.0	2	shoe
5	0.008.7765.0/40	1	fork
6	2.4099.111.0	1	spring
7	2.1699.316.0/10	1	pin
8	2.1630.008.0	2	circlip 2x16
9	2.1311.006.2	2	flat washer 8
10	2.0512.109.7	1	screw
11	2.1011.103.2	1	nut m 6 p.1
13	2.1579.994.2	1	spacer 8.5x14x7



W9_55846_04_0_0

Section: FRONT AXEL
4WD - TRANSMISSION SHAFT

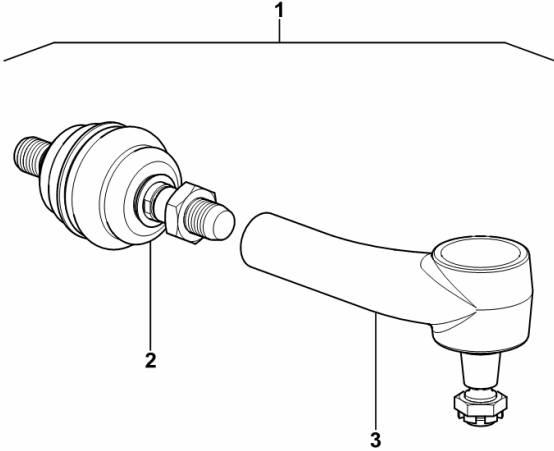
Fig.	Code	QTY	Name
1	2.1650.711.0	2	pin 8x24
2	0.008.7231.0/30	2	sleeve
3	2.1470.004.2	4	washer 8
4	2.0112.205.2	4	screw m 8 p.1.25 x 16
5	2.1499.182.7	2	circlip
6	0.013.0330.0	1	support
7	2.2041.010.0	1	ball bearing 25x52x15
8	2.1411.021.1	1	circlip 52
9	2.0112.203.2	1	screw m 8 p.1.25 x 12
10	2.1312.004.2	1	washer 8.4



9_A4826_00_0_0

Section: FRONT AXEL
LINKAGE

Fig.	Code	QTY	Name
1	0.012.8957.4/10	1	rod sx/lh/li
2	0.010.3938.0	1	joint
3	0.010.3937.2	1	head



0_012_8957_4_10

Section: GEAR
INDEPENDENT CLUTCH CONTROL FOR P.T.O.

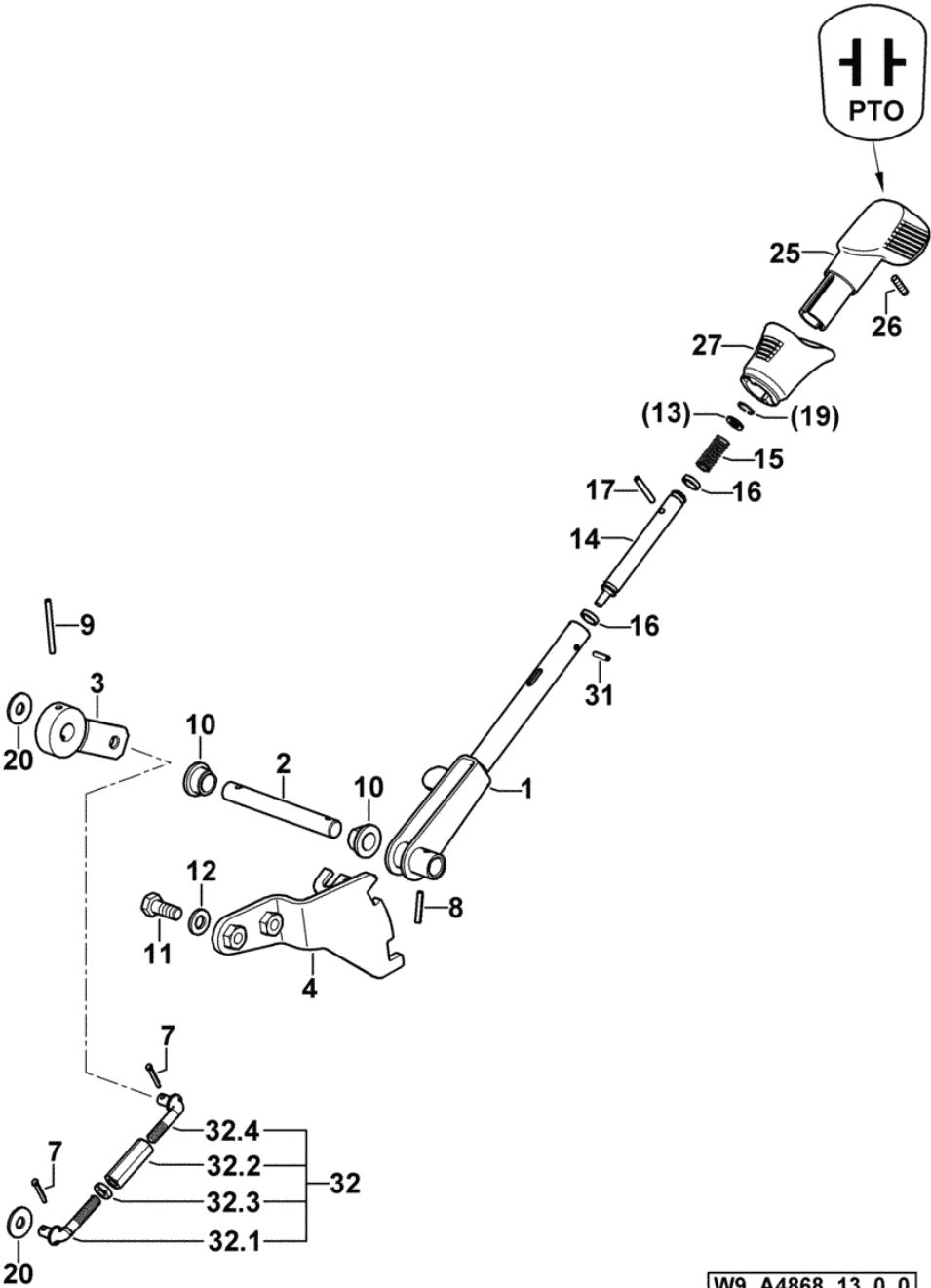


Fig.	Code	QTY	Name
1	0.013.3355.3/40	1	lever 6038 <- X SOLARIS 40 6032 <- X SOLARIS 50
1	0.013.3355.3/50	1	lever -> 6039 X SOLARIS 40 -> 6033 X SOLARIS 50
2	0.013.3346.0	1	small shaft
3	0.013.3336.3/10	1	lever
4	0.013.3335.3/30	1	ratchet
7	2.1690.306.2	2	split pin 3.2 x 16
8	2.1631.411.0	1	pin 5x24
9	2.1631.418.0	1	pin 5 x 45
10	2.1559.277.0	2	bushing 14.1x20x10
11	2.0112.309.2	2	screw m 10 p.1.5 x 25
12	2.1475.203.2	2	spring washer 10
13	2.1310.003.2	1	flat washer 7.4x14 6038 <- X SOLARIS 40 6032 <- X SOLARIS 50
14	0.013.7543.0	1	ferrule
15	2.4019.631.2	1	spring
16	2.1539.232.0	2	ring
17	2.1630.452.2	1	pin 4 x 30
19	2.1411.003.7	1	circlip 6038 <- X SOLARIS 40 6032 <- X SOLARIS 50
20	2.1312.004.2	2	washer 8.4
25	0.013.3148.3/30	1	knob
26	2.0512.008.2	1	grain m 5 x 20
27	0.013.2968.0/20	1	knob
31	2.1631.307.0	1	roll pin 4x16 -> 6039 X SOLARIS 40 -> 6033 X SOLARIS 50
32	0.000.0000.1	0	not serviceable
32.1	0.013.3402.3/10	1	rod
32.2	2.1099.139.2/10	1	nut m 8
32.3	2.1011.205.2	1	nut m 8 p.1.25
32.4	0.013.2995.3	1	rod sx/lh/li

W9_A4868_13_0_0

Section: GEAR
REVERSE GEAR CONTROL

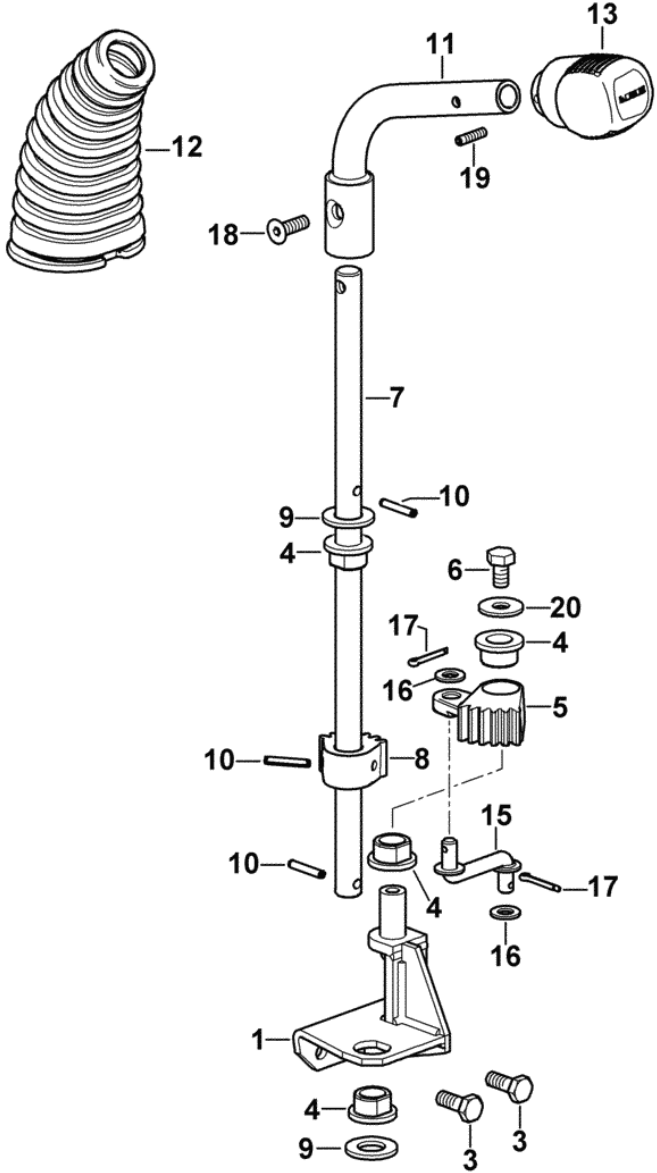
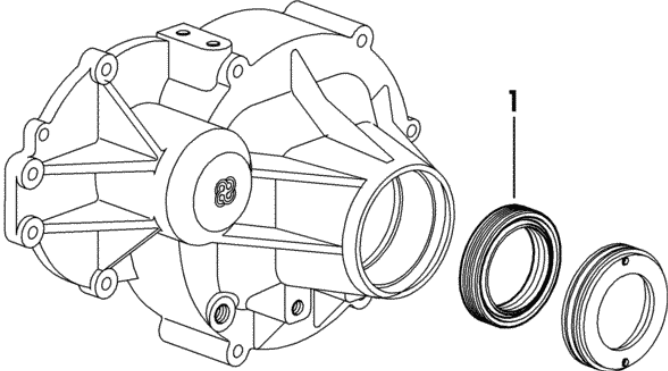


Fig.	Code	QTY	Name
Notes:			
-> 6052 X SOLARIS 40 -> 6104 X SOLARIS 50			
1	0.013.9938.2/10	1	support
3	2.0112.207.2	2	screw m 8 p 1.25 x 20
4	2.1559.277.0	4	bushing 14.1x20x10
5	0.013.9927.0/10	1	lever
6	2.0112.204.2	1	screw m 8 p.1.25x14
7	0.013.9948.0/30	1	pin
8	0.013.9928.0/10	1	sector
9	2.1310.009.2	2	flat washer 14
10	2.1631.411.0	3	pin 5x24
11	0.013.3287.3/30	1	lever
			6086 <- X SOLARIS 40
			6189 <- X SOLARIS 50
11	0.014.3517.3	1	lever
			-> 6087 X SOLARIS 40
			-> 6190 X SOLARIS 50
12	0.013.3283.0/20	1	boot
13	0.013.2971.3/30	1	knob
15	0.014.1308.3	1	rod
16	2.1310.004.2	2	flat washer 8.5
17	2.1690.308.2	2	split pin 3.2 x 20
18	2.0399.280.7	1	grain m 8 x 14
			6086 <- X SOLARIS 40
			6189 <- X SOLARIS 50
18	2.0342.307.3	1	screw m 8 p.1.25 x 25
			-> 6087 X SOLARIS 40
			-> 6190 X SOLARIS 50
19	2.0522.008.7	1	grain m 5 x 20
20	2.1312.004.2	1	washer 8.4

REAR AXLE - WATER PROOF SEALS

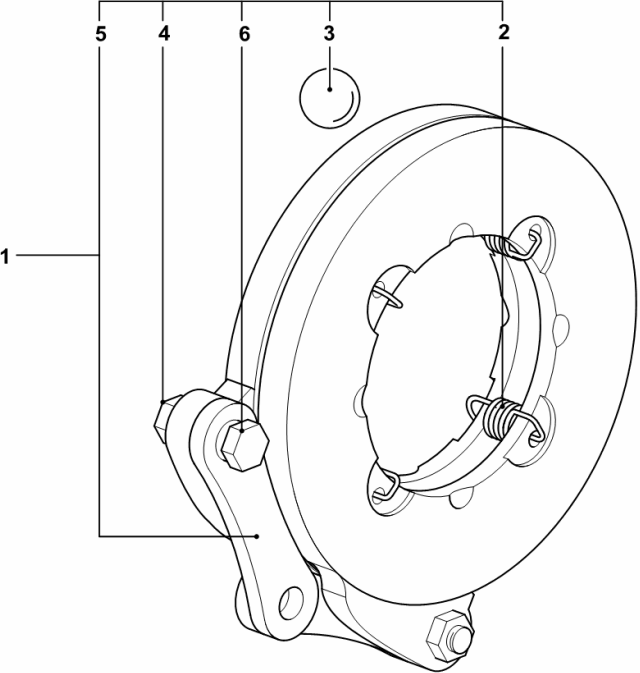
Fig.	Code	QTY	Name
1	2.1529.100.0	2	'o' ring 58x80x15



9_A4844_02_0_0

Section: REAR AXLE
BRAKES URSUS

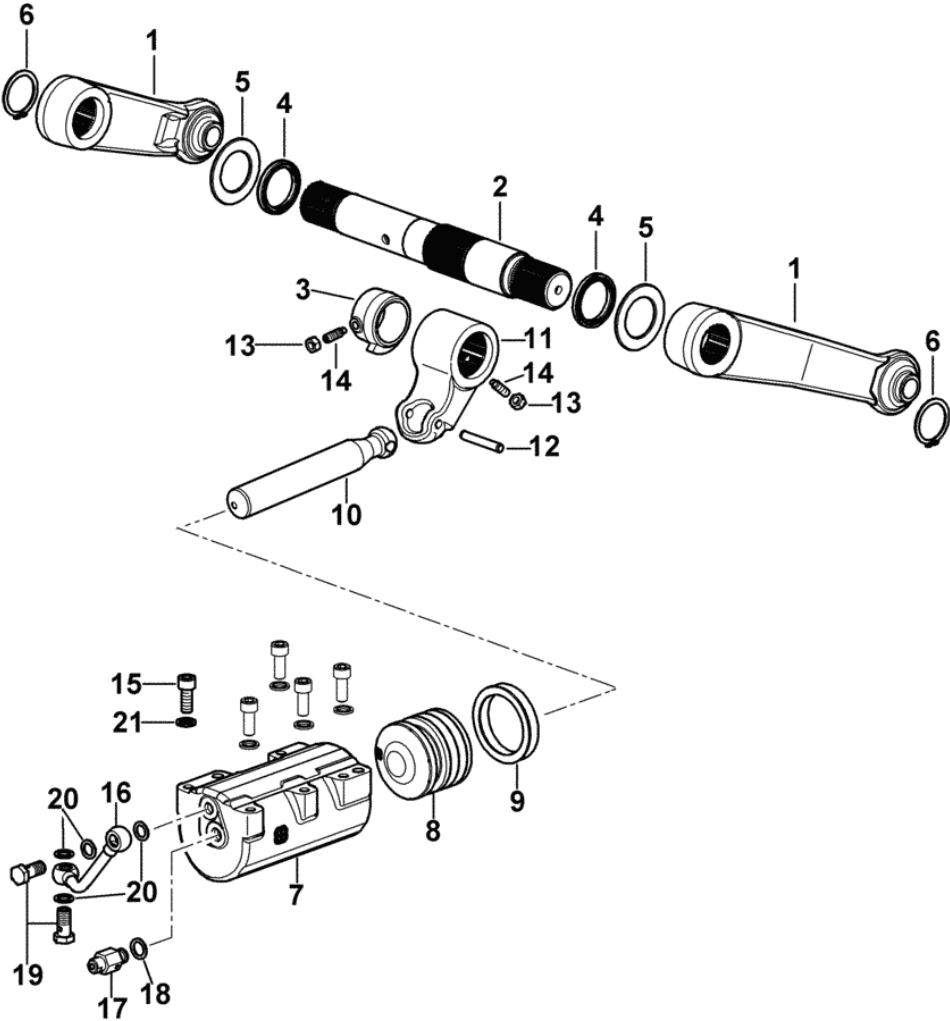
Fig.	Code	QTY	Name
1	0.012.4930.4	1	brake disc URSUS
2	0.900.0376.8	4	spring
3	0.900.0376.9	4	ball 3/4"
4	0.900.0377.0	2	nut 5/16"
5	0.900.0377.1	2	stay
6	0.900.0377.2	2	screw



LIFTING

Fig.	Code	QTY	Name
------	------	-----	------

Notes:
-> 6094 X SOLARIS 40 -> 6238 X SOLARIS 50



1	0.012.4959.3/10	2	lift lever
2	0.009.2569.0/40	1	shaft
3	0.009.2554.0/40	1	sleeve
4	2.1529.097.0	2	'o' ring
5	2.1599.315.0	2	snoulder
6	2.1410.016.1	2	circlip 40
7	0.014.0464.0	1	cylinder
8	0.014.0713.0	1	piston mm 75
9	2.1518.086.0	1	'o' ring 60x75
10	0.014.0471.0	1	connecting rod
11	0.009.2555.0/20	1	lever
12	2.1631.719.0	1	roll pin 8x59
13	2.1011.105.2	2	nut m 8 p.1.25
14	2.0522.210.7	2	screw m 8 p.1.25 x 25
15	2.0319.003.2	5	screw m 10 p 1.25 x 25
16	0.014.0512.3	1	tube
17	0.9087.464.3	1	valve
18	2.1560.010.0	1	gasket 14.2 x 20 x 1.5
19	2.3339.472.2/10	2	pipe union m 12 p.1.25x26
20	2.1560.008.0	4	gasket 12.2 x 18
21	2.1561.005.0	5	washer typ A

W9_A5059_21_0_0

Section: S.A.C.
CONTROL TIE RODS AND LEVERS

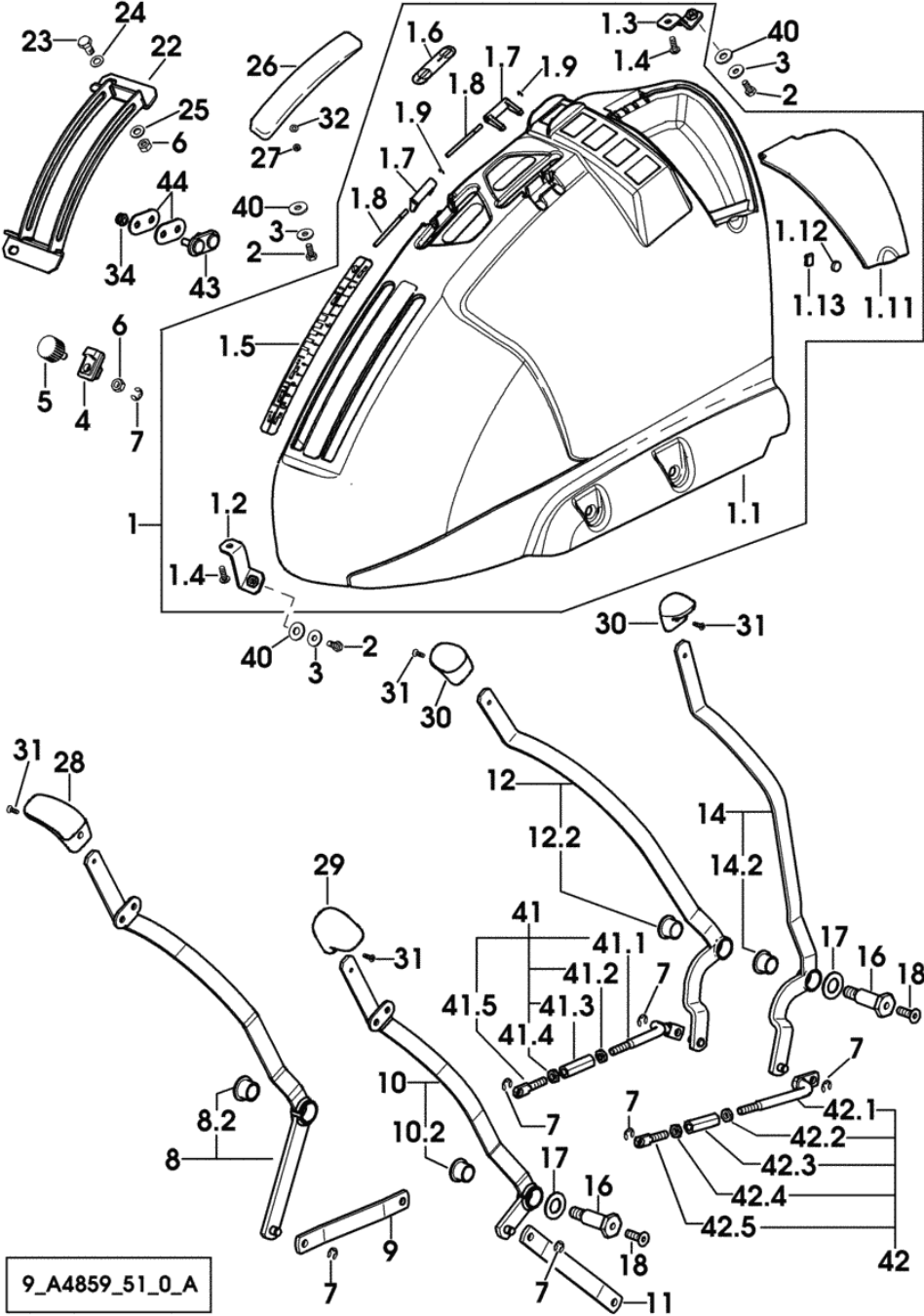
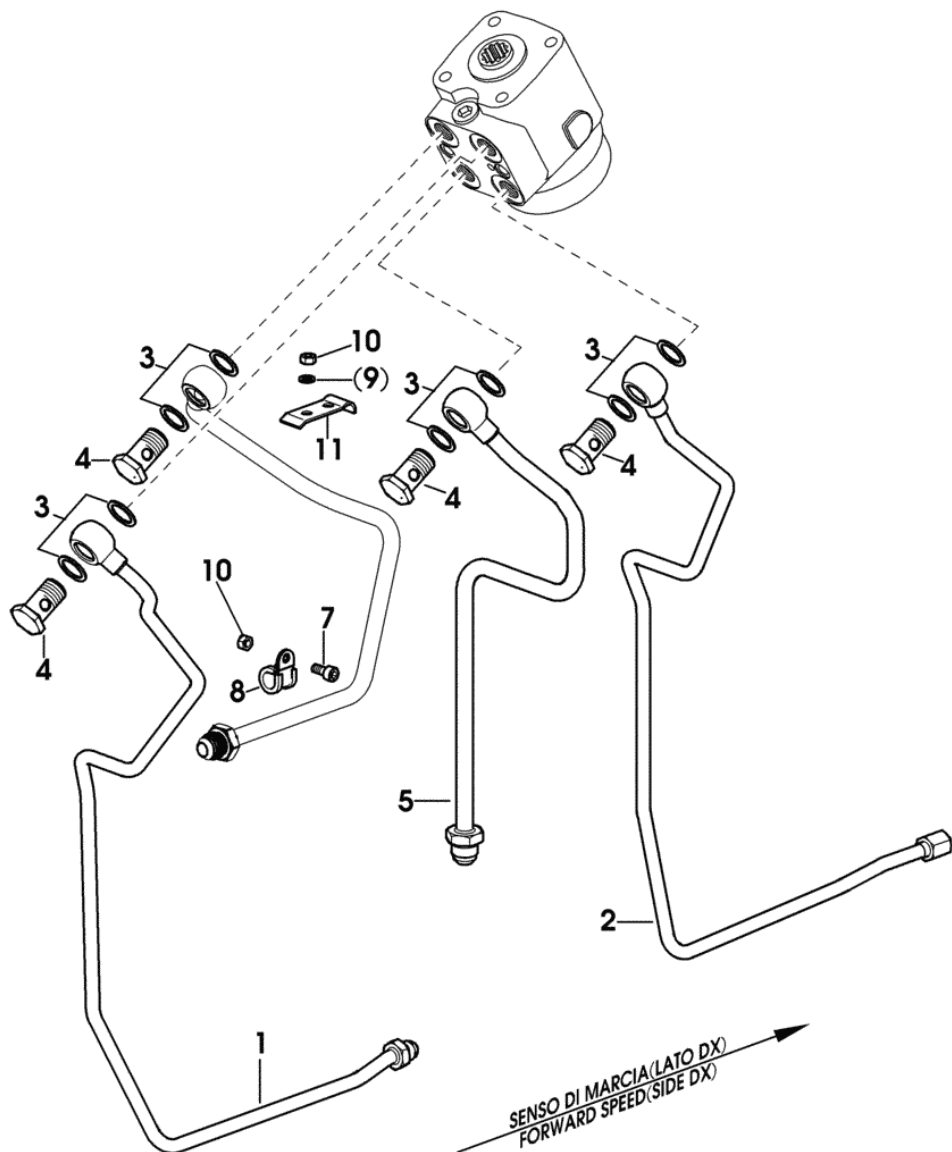


Fig.	Code	QTY	Name
31	2.0351.404.6	4	screw 4.2x13 -B-
32	2.1310.028.2	2	flat washer 4
34	2.1120.103.2	4	nut m 6
40	2.1599.847.0	3	washer 8.5x20x1
41	0.000.0000.1	0	not serviceable
41.1	0.012.4951.2/10	1	rod
41.2	2.1011.205.2	1	nut m 8 p.1.25
41.3	2.1099.139.2/10	1	nut m 8
41.4	2.1019.157.2	1	nut m 8 p 1.25x4
41.5	0.012.4962.0	1	tip
42	0.000.0000.1	0	not serviceable
42.1	0.012.4950.2/10	1	rod
42.2	2.1011.205.2	1	nut m 8 p.1.25
42.3	2.1099.139.2/10	1	nut m 8
42.4	2.1019.157.2	1	nut m 8 p 1.25x4
42.5	0.012.4962.0	1	tip
43	0.012.4979.3	2	bracket
44	0.012.5000.0	4	friction ring

9_A4859_51_0_A

PIPES FOR HYDROSTATIC STEERING

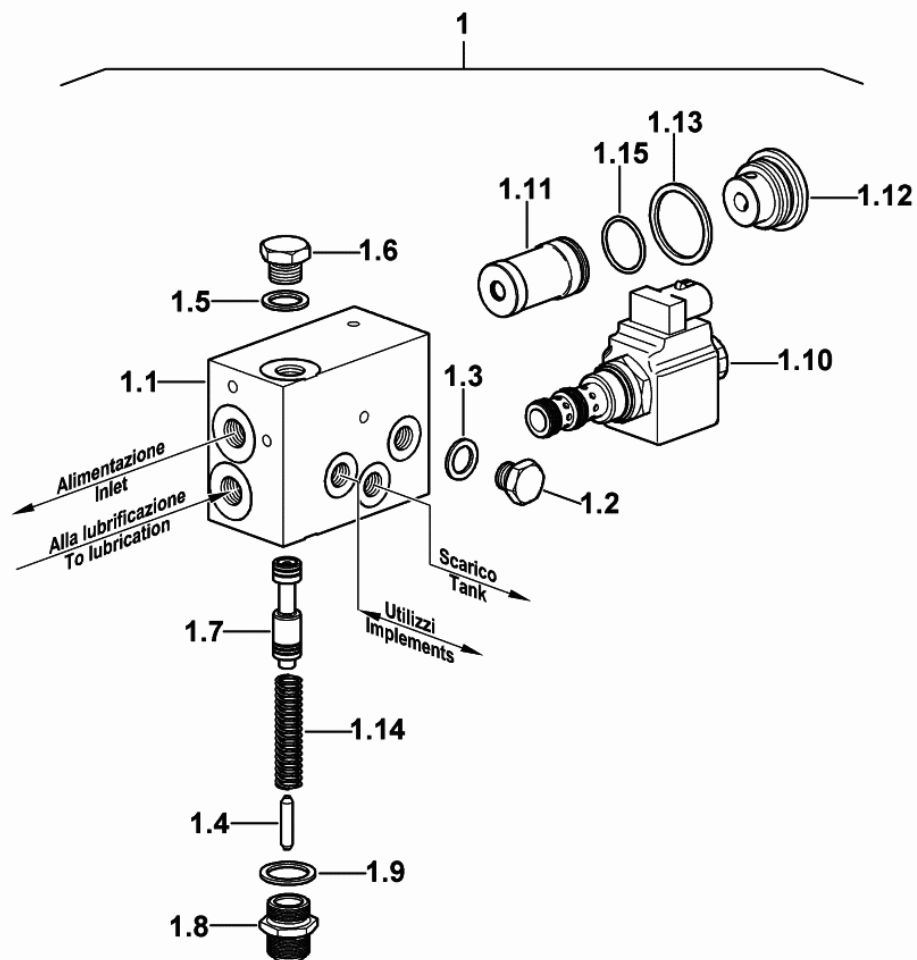
Fig.	Code	QTY	Name
1	0.013.3039.3/10	1	tube sx/lh/li
2	0.013.3040.3	1	tube dx/rh/re
3	2.1560.014.0	8	gasket 18.2 x 24 x 1.5
4	2.3335.008.2	4	pipe union m 18 p.1.5 x 32
5	0.013.3038.3/10	1	tube
7	2.0312.103.2	1	screw m 6 p.1 x 14
8	2.6839.059.0	1	clamp Ø 12 / 15
10	2.1011.103.2	3	nut m 6 p.1
11	0.010.4852.0	1	small plate



9_A4863_02_0_0

DIFFERENTIAL LOCK

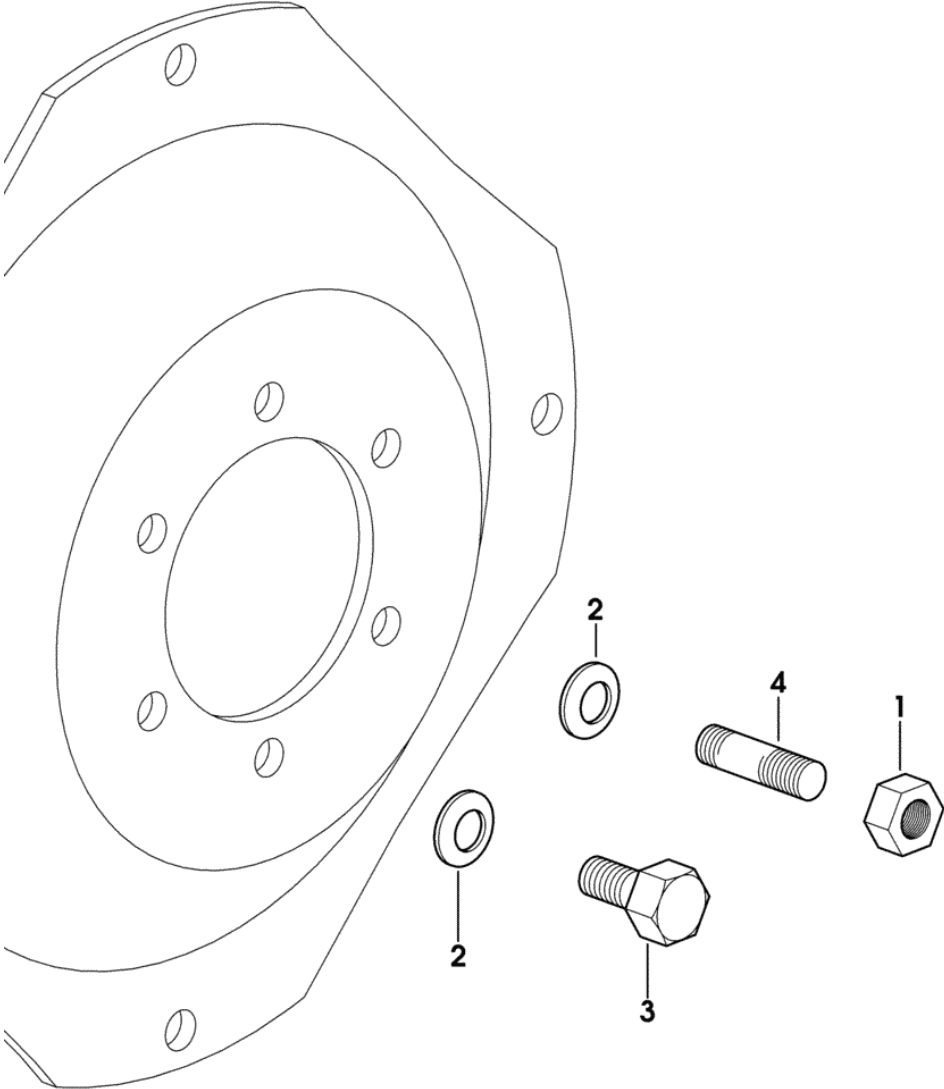
Fig.	Code	QTY	Name
1	0.013.2617.4/10	1	valve
1.1	0.000.0000.1	0	not serviceable
1.2	2.3110.402.2	1	plug m 12 p.1.5
1.3	2.1560.008.0	1	gasket 12.2 x 18
1.4	2.1650.411.0	1	pin 5x25
1.5	2.1560.010.0	1	gasket 14.2 x 20 x 1.5
1.6	2.3110.403.2	1	plug m 14
1.7	0.011.8662.0/10	1	slider
1.8	2.3199.317.2	1	plug m 18 p.1.5
1.9	2.1560.014.0	1	gasket 18.2 x 24 x 1.5
1.10	2.3729.240.0/30	1	electro valve 13V - 20W 6028 <- X SOLARIS 50 COMPONENT PARTS SEE COMPONENTS LIST ☞ 2.3729.240.0/30 ☞ 06.00.15
1.10	2.3729.697.0	1	electro valve 13V - 20W X SOLARIS 40 -> 6029 X SOLARIS 50 COMPONENT PARTS SEE COMPONENTS LIST ☞ 2.3729.697.0 ☞ 06.00.16
1.11	2.4419.680.0/10	1	filter
1.12	2.3199.316.2	1	plug m 30 p.1.5
1.13	2.1560.023.0	1	gasket 30.3 x 36
1.14	2.4019.770.1	1	spring
1.15	2.1531.057.0	1	'o' ring



9_A4882_10_0_0

Section: WHEELS
REAR WHEEL BOLTS

Fig.	Code	QTY	Name
1	2.1011.308.6	4	nut m 14 p.1.5
2	2.1475.105.6	12	conical washer 15 x 27
3	2.0122.511.6	8	screw m 14 p.1.5x30
4	2.0439.206.6	4	stud bolt m 14 p.1.5 x 50



9_53255_02_0_0

CLICK HERE TO **DOWNLOAD** THE COMPLETE MANUAL

- Thank you very much for reading the preview of the manual.
- You can download the complete manual from: www.heydownloads.com by clicking the link below



- Please note: If there is no response to CLICKING the link, please download this PDF first and then click on it.

CLICK HERE TO **DOWNLOAD** THE COMPLETE MANUAL