

SOLARIS 35 -> 10001

V0 - BALLAST, TOWING HITCHES

FRONT HITCHES

FRONT TOWING HITCH.....	V0.01.0 (1)
TOWING HOOK WITH FRONT POWER-LIFT.....	V0.01.1 (1)

REAR HITCHES

REAR GEARBOX BRACKETS.....	V0.02.0 (1)
REAR GEARBOX BRACKETS.....	V0.02.1 (1)
REAR TOWING HITCH CAT. " C ".....	V0.02.2 (1)
REAR OSCILLATING HITCH.....	V0.02.3 (1)
REAR TOWING HITCH.....	V0.02.4 (1)
REAR TOWING HITCH.....	V0.02.5 (1)
REAR TOWING HITCH.....	V0.02.6 (1)
REAR TOWING HITCH.....	V0.02.7 (1)
TOWING BAR.....	V0.02.8 (1)
DRAWBAR COUPLING.....	0.014.8210.4.A
REAR TOWING HITCH.....	0.016.5026.3.A

FRONT BALLAST WEIGHTS

FRONT BALLAST Kg 60.....	V0.03.0 (1)
FRONT BALLAST kg 100.....	V0.03.1 (1)
FRONT BALLAST FASTENERS.....	V0.03.2 (1)

WHEEL BALLAST

WHEEL BALLAST REAR.....	V0.05.0 (1)
-------------------------	-------------

CLICK HERE TO **DOWNLOAD** THE COMPLETE MANUAL

- Thank you very much for reading the preview of the manual.
- You can download the complete manual from: www.heydownloads.com by clicking the link below



- Please note: If there is no response to CLICKING the link, please download this PDF first and then click on it.

CLICK HERE TO **DOWNLOAD** THE COMPLETE MANUAL

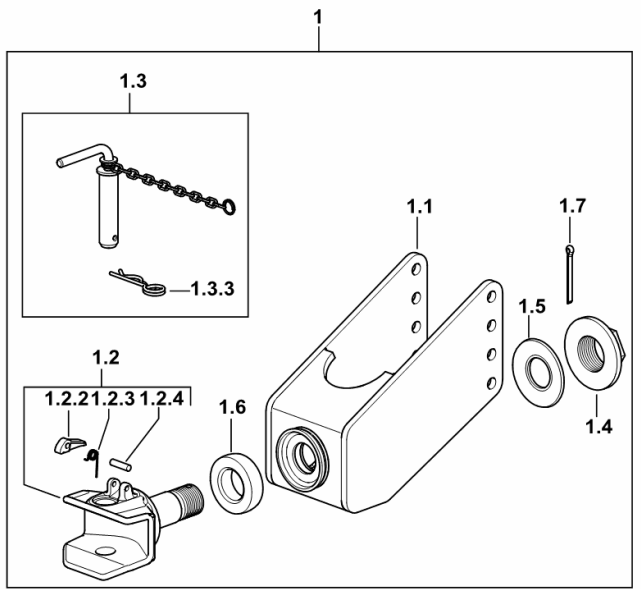
REAR TOWING HITCH

Fig.	Code	QTY	Name
------	------	-----	------

Notes:

- EXPORT PL [SOLARIS 35 -> 10001 2WD] - EXPORT PL [SOLAIRS 35 -> 10001 4WD]

1	0.012.4940.4	1	tow hook
1.1	0.012.4940.2	1	support
1.2	0.012.4909.3	1	clevis
1.2.2	0.012.4912.0	1	small lever
1.2.3	0.012.4913.0	1	spring
1.2.4	2.1632.717.2	1	pin 8 x 40
1.3	0.012.4908.3	1	pin
1.3.3	0.012.4911.0	1	split pin
1.4	0.012.4907.0	1	nut
1.5	0.012.4905.0	1	washer
1.6	0.012.4906.0	2	coupling disc
1.7	2.1690.722.2	1	split pin



W9_A4831_60_0-A-001

CAB.....	G0.03.0 (1)
GUARD.....	G0.03.1 (1)
SUPPORTS.....	G0.03.2 (1)
SUPPORTS.....	G0.03.3 (1)
PLATFORM.....	G0.03.4 (1)
PLATFORM.....	G0.03.5 (1)
FOOTPLATE COVER dx/rh/re.....	G0.03.10 (1)
FOOTPLATE COVER sx/lh/li.....	G0.03.11 (1)
FOOTPLATE COVER dx/rh/re.....	G0.03.12 (1)
FOOTPLATE COVER sx/lh/li.....	G0.03.13 (1)
LADDER.....	G0.03.14 (1)
LH FOOTPLATE WITH AUXILIARY TANK.....	G0.03.15 (1)
LH FOOTPLATE WITH AUXILIARY TANK.....	G0.03.16 (1)
FENDERS - FOOTSTEPS - EXTENSIONS	
FRONT MUDGUARDS.....	G0.04.2 (1)
FRONT MUDGUARDS.....	G0.04.3 (1)
FRONT MUDGUARDS.....	G0.04.4 (1)
FRONT MUDGUARDS.....	G0.04.5 (1)
FRONT MUDGUARDS.....	G0.04.6 (1)
FRONT MUDGUARDS.....	G0.04.7 (1)
FRONT MUDGUARDS.....	G0.04.8 (1)
REAR MUDGUARDS.....	G0.04.9 (1)
FENDERS.....	G0.04.10 (1)
FENDERS.....	G0.04.11 (1)
MUDGUARDS EXTENSIONS.....	G0.04.12 (1)
MUDGUARDS EXTENSIONS.....	G0.04.13 (1)
MUDGUARDS EXTENSIONS.....	G0.04.15 (1)
BRACKET - SPEED LABEL.....	G0.04.16 (1)
EXTENSION FOR WING.....	G0.04.17 (1)
FOOT BOARDS.....	G0.04.19 (1)
REFLECTOR SUPPORT.....	G0.04.20 (1)
DOORS - WINDOWS - WIPERS	
WATER TANK.....	G0.05.0 (1)
WATER TANK.....	G0.05.1 (1)
WATER TANK.....	G0.05.2 (1)
WATER TANK.....	G0.05.2 (2)
OPENING SCREEN WITH WIPER.....	G0.05.3 (1)
LOWER/UPPER FRONT GLASS LH/RH.....	G0.05.4 (1)
REAR WINDOW.....	G0.05.5 (1)
REAR WINDOW.....	G0.05.6 (1)
CAB DOOR sx/lh/li.....	G0.05.7 (1)
CAB DOOR dx/rh/re.....	G0.05.8 (1)
INTERIOR TRIM	
DASHBOARD.....	G0.06.0 (1)

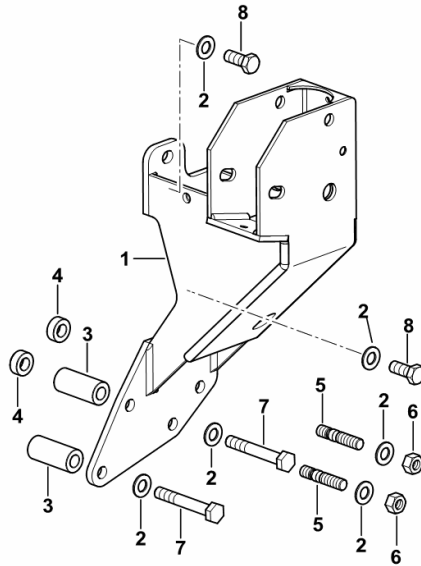
SUPPORT FOR SUPPLEMENTARY TANK

Fig.	Code	QTY	Name
------	------	-----	------

Notes:

[SOLARIS 35 -> 10001 2WD] [SOLAIRS 35 -> 10001 4WD]

1	0.012.6219.3/80	1	bracket sx/lh/li
2	2.1475.004.2	6	washer 12
3	0.012.6225.0	2	spacer
4	2.1579.838.2	2	spacer 13.2x25x10
5	2.0422.411.2	2	stud bolt m 12 x 40
6	2.1011.107.2	2	nut m 12 p.1.75
7	2.0122.475.2	2	screw m 12 p.1,25x80
8	2.0112.411.2	2	screw m 12 p.1.75 x 30



W9_H3781_06_0-A-001

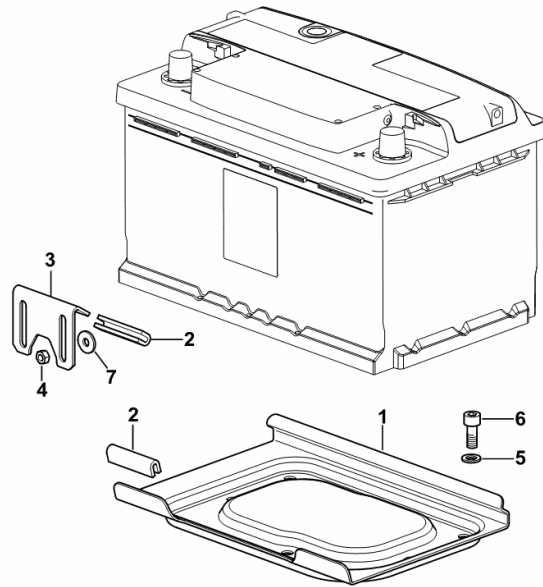
BATTERY SUPPORT

Fig.	Code	QTY	Name
------	------	-----	------

Notes:

[SOLARIS 35 -> 10001 2WD] [SOLAIRS 35 -> 10001 4WD]

1	0.014.1788.0/10	1	battery support
2	0.009.9223.0/10	3	gasket
3	0.014.1970.0	1	bracket
4	2.1011.103.2	2	nut m 6 p.1
5	2.1474.009.2	8	spring washer 8
6	2.0312.206.2	8	screw m 8 p 1.25 x 20
7	2.1312.003.2	2	washer 6



W9_A4973_00_0-A-001

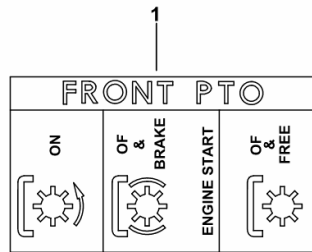
IDENTIFICATION PLATE

Fig.	Code	QTY	Name
------	------	-----	------

Notes:

- FOR P.T.O. FRONT [SOLARIS 35 -> 10001 2WD] - FOR P.T.O. FRONT [SOLAIRS 35 -> 10001 4WD]

1	0.014.2079.0	1	adhesive P.T.O.
---	--------------	---	-----------------



W9_A5059_86_0-A-001

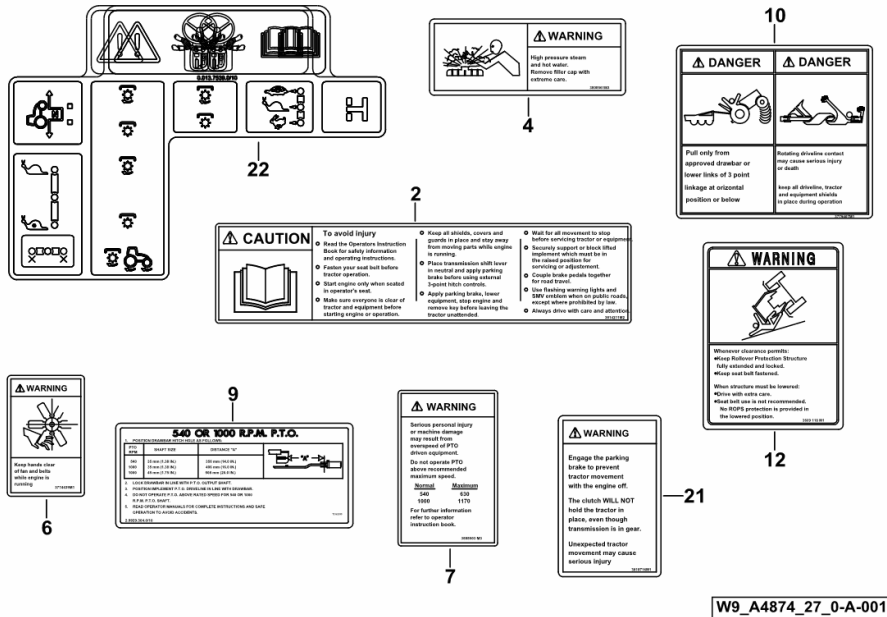
Section: G0 - BODYWORK - CAB
PLATES

Fig.	Code	QTY	Name
------	------	-----	------

Notes:

[SOLARIS 35 -> 10001 2WD] 10369 <- [SOLAIRS 35 -> 10001 4WD] 10369 <-

2	2.9929.848.0/10	1	plate
4	2.9929.792.0	1	plate
6	2.9929.794.0	2	plate
7	2.9929.853.0/10	1	plate
9	2.9929.304.0/10	1	stickers
10	2.9929.856.0	1	plate
12	2.9929.858.0	1	plate
21	2.9929.813.0	1	stickers
22	0.013.7539.0/10	1	plate



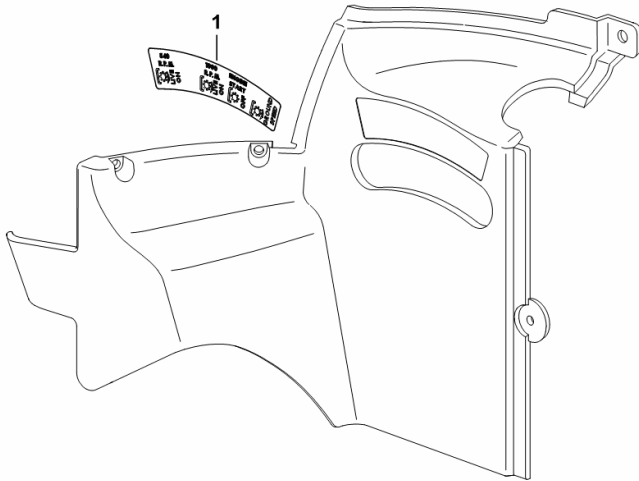
PTO DATA PLATE

Fig.	Code	QTY	Name
------	------	-----	------

Notes:

540/1000 + SYNCRO [SOLARIS 35 -> 10001 2WD] 540/1000 + SYNCRO [SOLAIRS 35 -> 10001 4WD]

1	0.013.3940.0	1	plate P.T.O.
---	--------------	---	--------------



W9_A4874_02_0-A-001

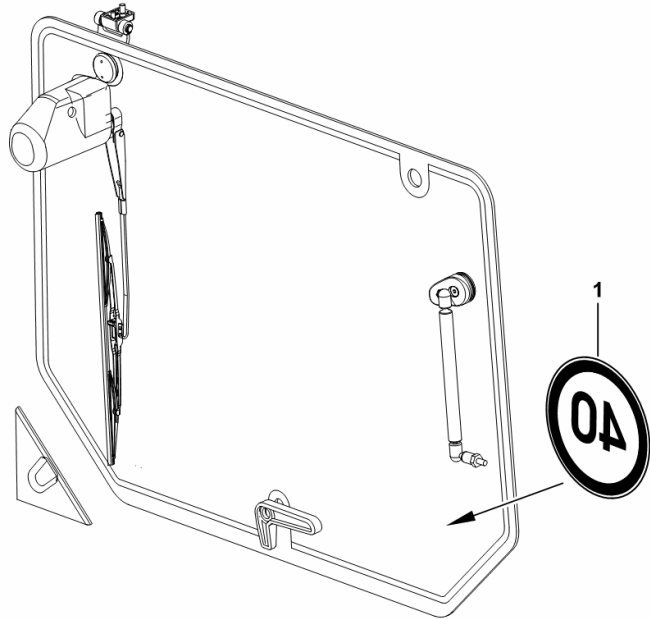
SPEED LABEL

Fig.	Code	QTY	Name
------	------	-----	------

Notes:

- FOR MODELS WITH CAB [SOLARIS 35 -> 10001 2WD] - FOR MODELS WITH CAB [SOLAIRS 35 -> 10001 4WD]

1	0.010.9969.0	1	disc 40 KM/H
---	--------------	---	--------------



W9_H3776_70_0-A-001

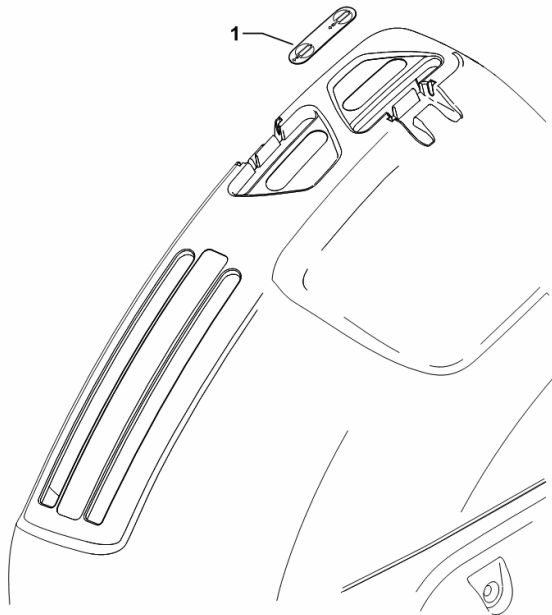
INFORMATION PLATE

Fig.	Code	QTY	Name
------	------	-----	------

Notes:

- FOR MODELS WITHOUT FRONT LIFT [SOLARIS 35 -> 10001 2WD] - FOR MODELS WITHOUT FRONT LIFT [SOLAIRS 35 -> 10001 4WD]

1	0.013.3506.0	1	plate
---	--------------	---	-------



W9_A4859_53_0-A-001

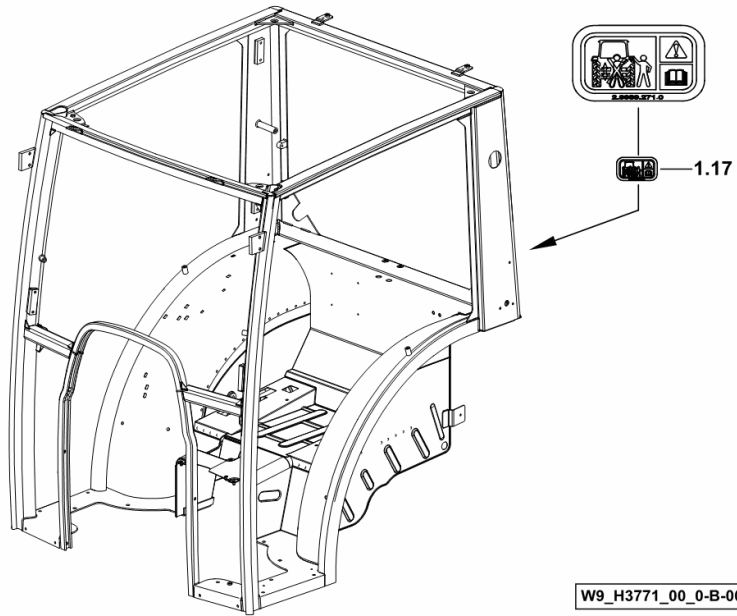
REAR LIFT MOVEMENT WARNING LABEL

Fig.	Code	QTY	Name
------	------	-----	------

Notes:

[SOLARIS 35 -> 10001 2WD] [SOLAIRS 35 -> 10001 4WD]

1.17	2.9939.271.0	1	plate
------	--------------	---	-------



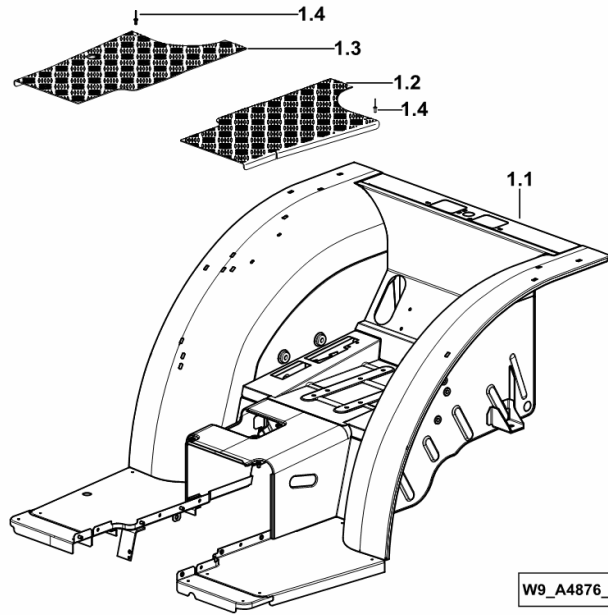
PLATFORM

Fig.	Code	QTY	Name
------	------	-----	------

Notes:

[SOLARIS 35 -> 10001 2WD] [SOLAIRS 35 -> 10001 4WD]

1.1	0.012.8817.3/70	1	platform
1.2	0.013.6527.0/10	1	small carpet sx/lh/li
1.3	0.013.6534.0/20	1	small carpet dx/rh/re
1.4	2.1856.004.0	8	rivet 4



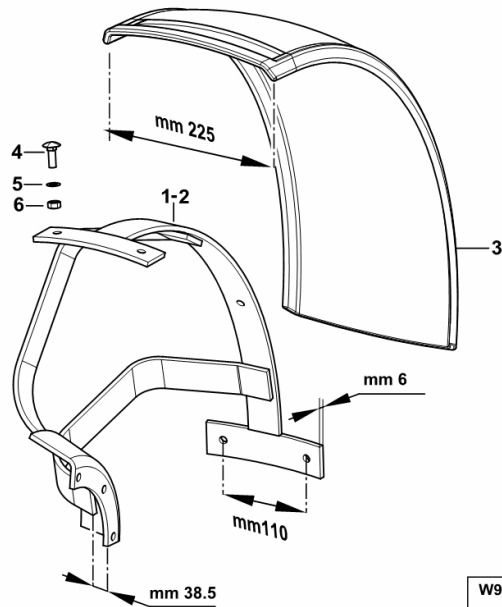
FRONT MUDGUARDS

Fig.	Code	QTY	Name
------	------	-----	------

Notes:

mm 225 [SOLARIS 35 -> 10001 2WD] mm 225 [SOLAIRS 35 -> 10001 4WD]

1	0.009.6384.3	1	support dx/rh/re
2	0.009.6385.3	1	support sx/lh/li
3	0.009.6378.0	2	fender mm 225
4	2.0020.206.2	12	screw m 8 p.1.25 x 25
5	2.1470.004.2	12	washer 8
6	2.1011.105.2	12	nut m 8 p.1.25



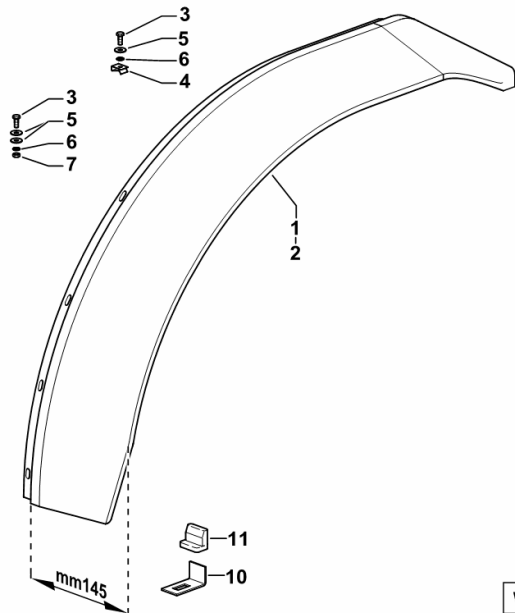
Section: G0 - BODYWORK - CAB
MUDGUARDS EXTENSIONS

Fig.	Code	QTY	Name
------	------	-----	------

Notes:

mm 145 [SOLARIS 35 -> 10001 2WD] mm 145 [SOLAIRS 35 -> 10001 4WD]

1	0.009.6387.0/20	1	extension sx/lh/li
2	0.009.6388.0/20	1	extension dx/rh/re
3	2.0112.005.2	20	screw m 6 p.1 x 16
4	2.6999.064.6	16	special nut m 6
5	2.1312.003.2	24	washer 6
6	2.1470.002.2	20	washer 6, d128
7	2.1011.203.2	4	nut m 6 p.1
10	0.012.4903.0	2	bracket
11	0.009.7992.0	2	block

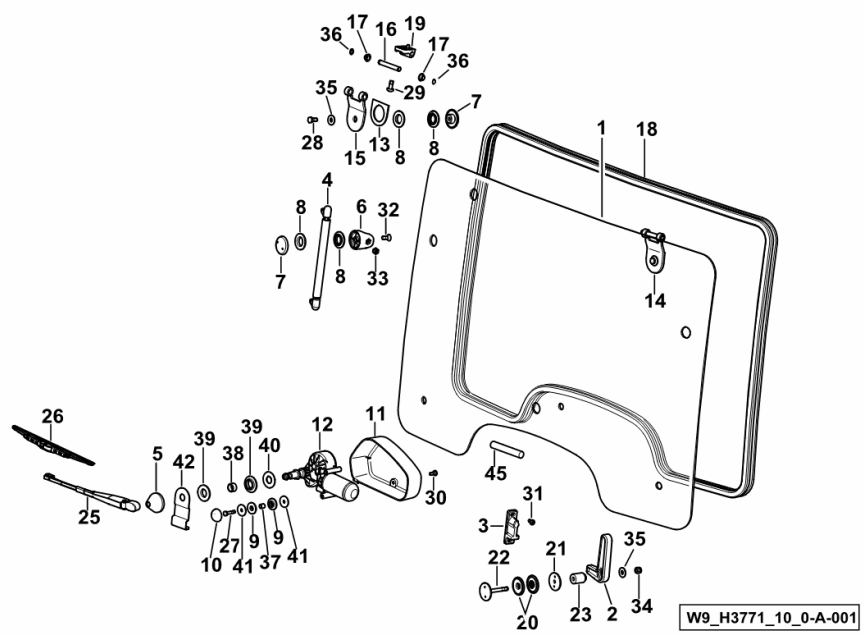


OPENING SCREEN WITH WIPER

Fig.	Code	QTY	Name
------	------	-----	------

Notes:

[SOLARIS 35 -> 10001 2WD] [SOLAIRS 35 -> 10001 4WD]



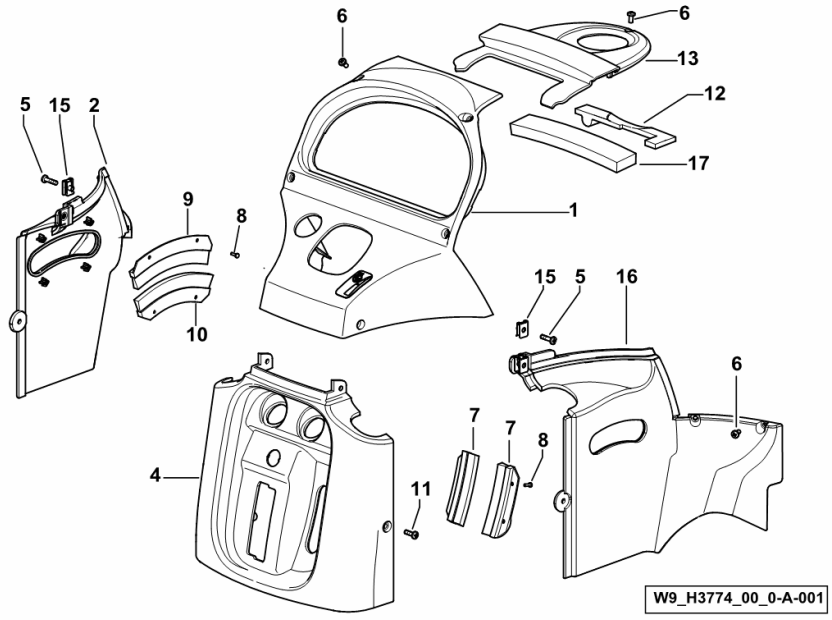
1	0.014.2291.0	1	windshield
2	0.008.0772.0	2	handle
3	0.014.8307.0/10	2	stop
4	0.015.3670.2	2	shoch.absorber
5	0.010.4983.0	1	rubber plug
6	0.012.6175.0	2	support
7	0.012.6176.2/10	4	washer
8	0.012.6178.0	8	gasket
9	0.012.6609.0	2	rubber ring
10	0.012.9760.0	1	tube
11	0.013.4596.0	1	hood
12	2.9019.200.0/10	1	wiper motor
13	0.014.2602.0	2	gasket
14	0.014.2929.2	1	hinge sx/lh/li
15	0.014.2931.2	1	hinge dx/rh/re
16	2.1699.428.2	2	pin 9.6 x 71.5
17	2.2841.034.0	4	bushing 10x12x7
18	0.014.3817.0	3.48	gasket M 3.220
19	0.014.4250.0/10	2	hinge
20	0.014.4959.0	4	rubber bushing
21	0.014.4966.0	2	washer
22	0.014.5043.2/10	2	screw
23	0.014.7267.0	2	spacer
25	0.010.1825.0	1	rod
26	0.010.1826.0	1	wiper blade
27	2.0112.011.2	1	screw m 6 p.1x30
28	2.0112.206.2	2	screw m 8 p.1.25 x 18
29	2.0332.507.2	2	screw m 8 p.1.25 x 20
30	2.0332.406.3	2	screw m 6 p.1.0 x 16
31	2.0332.405.2	4	screw m 6 x 14
32	2.0342.305.3	2	screw m 8 p 1.25 x 20
33	2.1011.105.2	2	nut m 8 p.1.25
34	2.1120.005.2	2	nut m 8 p.1.25
35	2.1312.004.2	4	washer 8.4
36	2.1410.001.1	4	circlip 10
37	2.1549.541.2	1	spacer 7x10x11
38	2.1549.566.2	1	spacer 16x20x11
39	2.1569.176.0	2	gasket 20x40x6
40	2.1599.528.2	1	washer 18x40x2
41	2.1599.545.2	2	washer 6.5x28x2
42	0.014.5948.0/10	1	bracket

DASHBOARD

Fig.	Code	QTY	Name
------	------	-----	------

Notes:

- FOR MODELS WITH CAB [SOLARIS 35 -> 10001 2WD] - FOR MODELS WITH CAB [SOLAIRS 35 -> 10001 4WD]



1	0.014.0708.3	1	dashboard
2	0.014.0744.0/10	1	cover
4	0.013.3143.3/30	1	cover
5	2.0332.307.2	2	screw m 5 p.0.8 x 20
6	2.0332.303.2	9	screw m 5 p.0.8 x 10
7	0.013.3251.2/20	2	guard
8	2.0350.103.6	12	screw 2.9x9.5
9	0.013.3308.2/10	2	guard
10	0.013.3309.2/10	2	guard
11	2.0332.306.2	2	screw m 5x0.8x16
12	0.013.7370.0/10	1	gasket
13	0.014.0709.0	1	cover
15	2.6999.077.0	2	nut m 5
16	0.014.0786.0/10	1	cover
17	0.014.3572.0	1	gasket

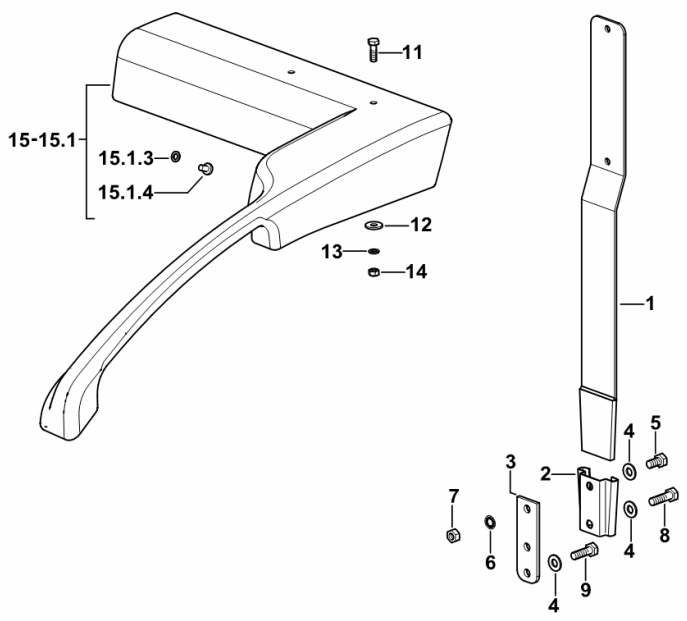
LH LIGHT HOLDER FOR EXTINGUISHER AND WARNING TRIANGLE SUPPORT

Fig.	Code	QTY	Name
------	------	-----	------

Notes:

- EXPORT PL [SOLARIS 35 -> 10001 2WD] 10154 <- - EXPORT PL [SOLAIRS 35 -> 10001 4WD] 10154 <-

1	0.011.8963.2	1	bracket
2	0.011.8984.0	1	bracket
3	0.012.5059.0	1	bracket
4	2.1310.004.3	1	washer 8.4x17
5	2.0112.205.2	1	screw m 8 p.1.25 x 16
6	2.1472.005.2	1	washer 8
7	2.1011.105.2	1	nut m 8 p.1.25
8	2.0112.210.2	1	screw m 8 p.1.25 x 28
9	2.0112.209.2	1	screw m 8 p.1.25 x 25
11	2.0112.007.2	1	screw m 6 p.1 x 20
12	2.1312.003.2	2	washer 6
13	2.1470.002.2	2	washer 6, d128
14	2.1011.103.2	2	nut m 6 p.1
15	0.012.5060.3	1	handle sx/lh/li
15.1	0.013.3381.3	1	handle sx/lh/li
15.1.3	2.0332.403.2	4	screw m 6 p.1 x 10
15.1.4	2.1470.002.2	4	washer 6, d128



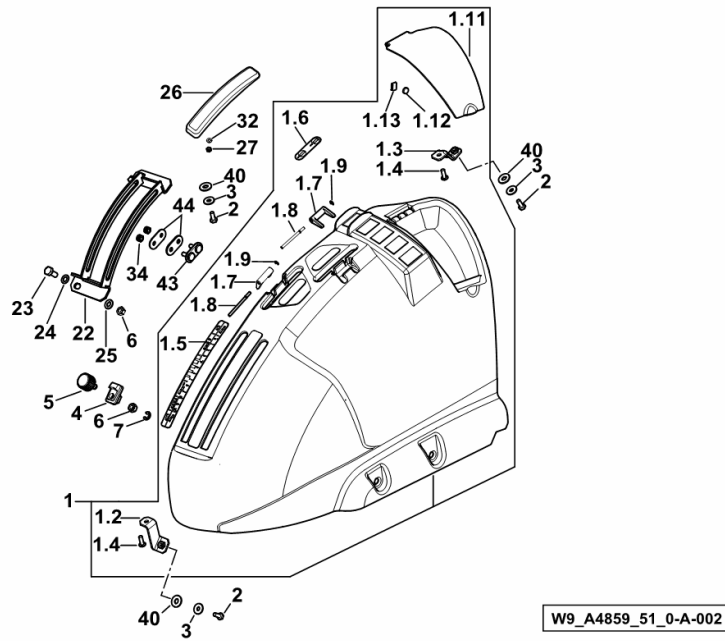
W9_A4885_91_0-A-001

Section: G0 - BODYWORK - CAB
CONTROL CONSOLE RIGHT

Fig.	Code	QTY	Name
------	------	-----	------

Notes:

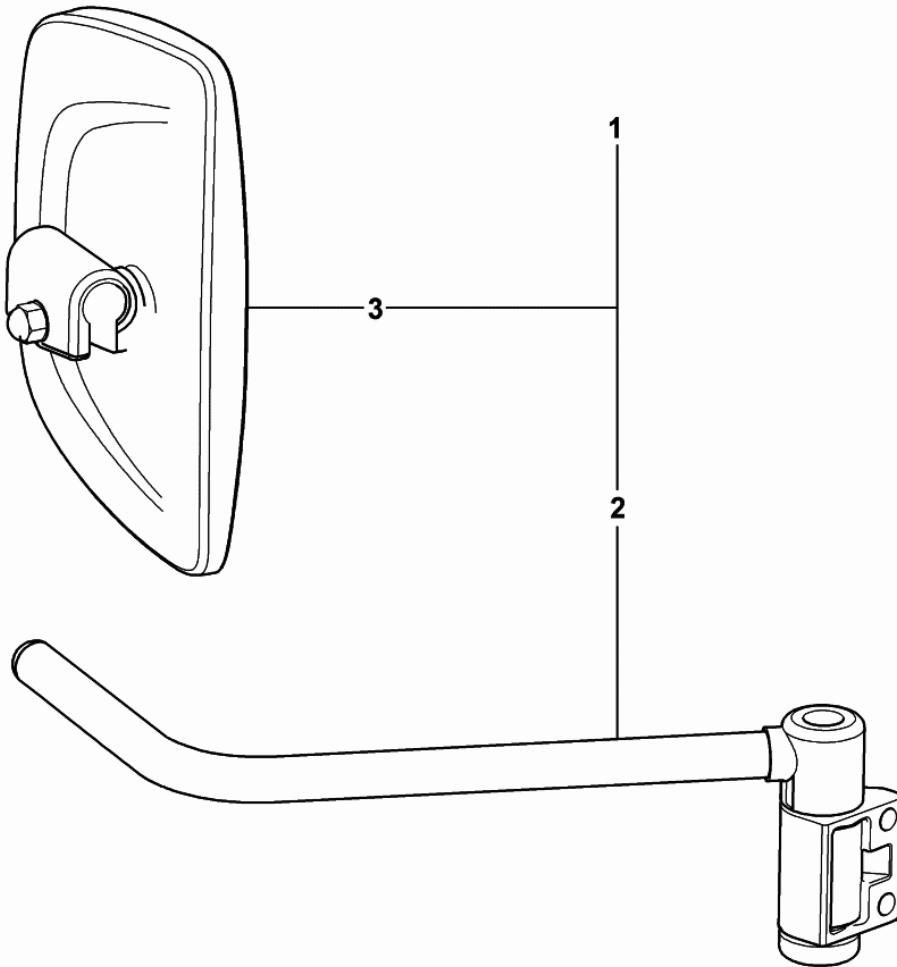
- FOR MODELS WITHOUT CAB [SOLARIS 35 -> 10001 2WD] -> 10004 - FOR MODELS WITHOUT CAB [SOLAIRS 35 -> 10001 4WD] -> 10004



1	0.014.1586.3/10	1	console dx/rh/re
1.2	0.013.2882.3	1	square
1.3	0.013.2883.3	1	square
1.4	2.0332.406.2	2	screw m 6 p.1.0 x 16
1.5	0.013.2955.0	1	plate
1.6	0.013.3506.0	1	plate
1.7	0.013.5476.0	2	fork
1.8	0.013.5437.0	2	pin
1.9	2.1430.004.7	2	circlip 3.2
1.11	0.014.3881.0	1	guard
1.12	0.014.3882.0	1	magneto
1.13	0.014.3883.0	1	small spring
2	2.0112.004.2	3	screw m 6 p.1 x 14
3	2.1312.003.2	3	washer 6
4	0.009.0136.0	2	slider
5	0.009.0133.3/10	2	knob
6	2.1011.105.2	4	nut m 8 p.1.25
7	2.1430.008.7	8	circlip 7
22	0.013.3770.2/10	1	sector
23	2.0112.205.2	2	screw m 8 p.1.25 x 16
24	2.1310.004.2	4	flat washer 8.5
25	2.1470.004.2	2	washer 8
26	0.013.3771.2	1	guide
27	2.1011.101.2	2	nut m 4 p.0.7
32	2.1310.028.2	2	flat washer 4
34	2.1120.103.2	4	nut m 6
40	2.1599.847.0	3	washer 8.5x20x1
43	0.012.4979.3	2	bracket
44	0.012.5000.0	4	friction ring

REARVIEW MIRROR

Fig.	Code	QTY	Name
1	0.014.4216.2	1	rear view mirror dx/rh/re
2	0.900.0520.0	1	rod
3	0.900.0519.8	1	rear view mirror



0_014_4216_2

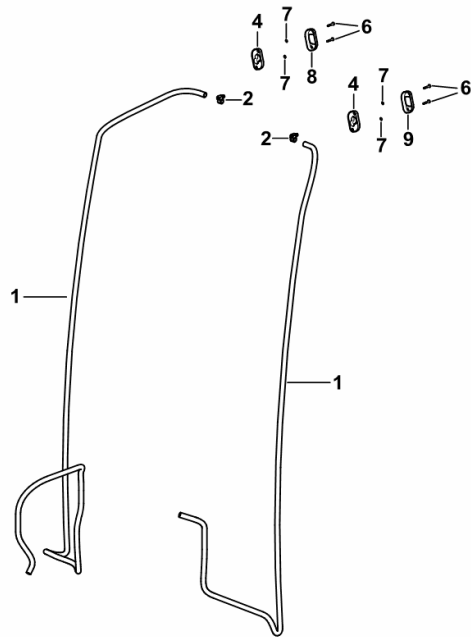
HEATING - PIPES

Fig.	Code	QTY	Name
------	------	-----	------

Notes:

[SOLARIS 35 -> 10001 2WD] [SOLAIRS 35 -> 10001 4WD]

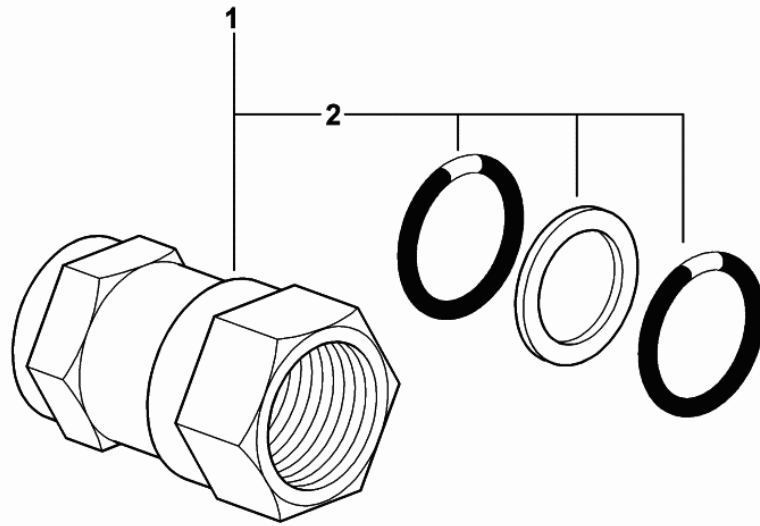
1	0.011.0466.0	5.8	tube Ø mm 16x10
2	2.6851.019.0	2	clamp Ø 13/20
4	0.014.7289.0	2	lamination
6	2.0112.009.2	4	screw m 6 p.1 x 25
7	2.1470.002.2	4	washer 6, d128
8	0.014.8577.0	1	wire guide
9	0.014.8578.0	1	wire guide



W9_H3786_11_0-A-001

ENGAGEMENT

Fig.	Code	QTY	Name
1	0.009.7202.4/20	1	connection 1-1/4"-18UN
2	0.900.0267.8	1	seal ring kit 1.78x28.3



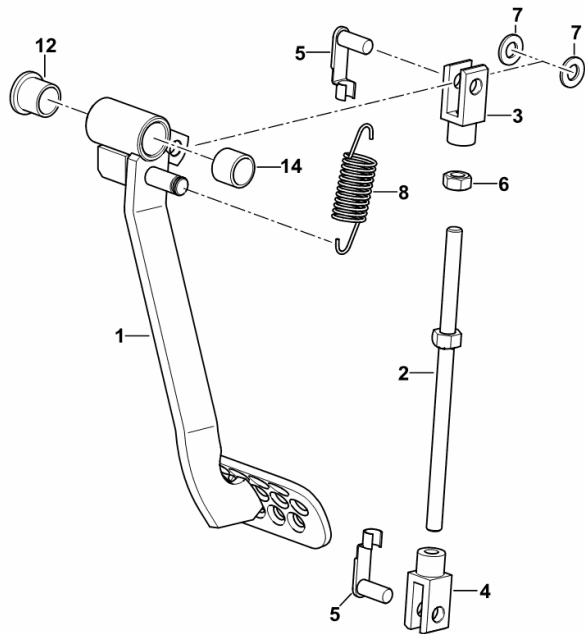
0_009_7202_4_20

CLUTCH CONTROL

Fig.	Code	QTY	Name
------	------	-----	------

Notes:

- FOR MODELS WITH CAB [SOLARIS 35 -> 10001 2WD] - FOR MODELS WITH CAB [SOLAIRS 35 -> 10001 4WD]



W9_H3765_02_0-A-001

1	0.014.0958.3/10	1	pedal
2	0.012.6819.2	1	top link
3	2.3510.005.2	1	fork m 10
4	0.012.6821.0	1	fork
5	2.1673.008.2	2	pin m 10
6	2.1011.106.2	1	nut m 10 p.1.5
7	2.1310.006.2	2	flat washer 10.5
8	2.4049.227.2/10	1	spring
12	2.1559.278.0/10	1	bushing 18x22x21
14	2.1559.446.0/10	1	bushing

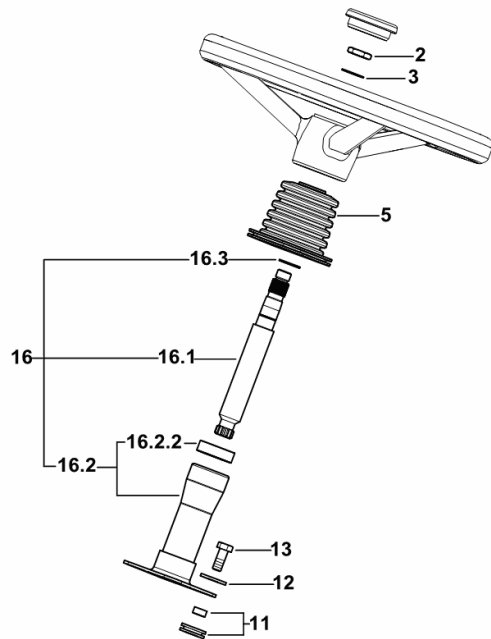
STEERING COLUMN

Fig.	Code	QTY	Name
------	------	-----	------

Notes:

- FOR MODELS WITHOUT CAB [SOLARIS 35 -> 10001 2WD] - FOR MODELS WITHOUT CAB [SOLAIRS 35 -> 10001 4WD]

2	2.1011.509.2	1	nut m 16 p.1.5
3	2.1470.009.2	1	lock washer 16
5	0.008.7473.0/10	1	guard
11	0.008.7476.3	4	block
12	2.1312.005.2	4	washer 10.2
13	2.0112.309.2	4	screw m 10 p.1.5 x 25
16	0.013.6094.4/20	1	support
16.1	0.013.6064.0/20	1	shaft
16.2	0.013.6075.3	1	support
16.2.2	2.2021.008.0	1	ball bearing 20x42x12
16.3	2.1410.006.7	1	circlip 20



W9_A4861_00_0-A-001

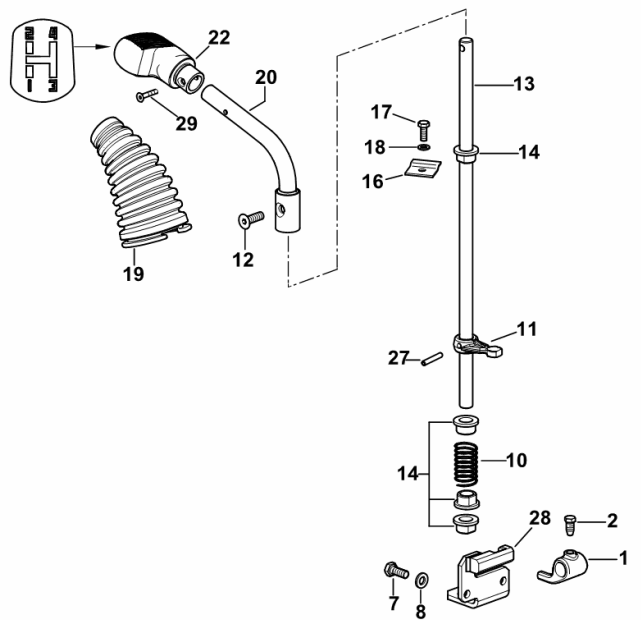
GEAR SHIFTING

Fig.	Code	QTY	Name
------	------	-----	------

Notes:

16+16 [SOLARIS 35 -> 10001 2WD] 16+16 [SOLAIRS 35 -> 10001 4WD]

1	0.014.3375.0/20	1	fork
2	2.0399.019.1	1	screw m 8 p.1 x 16
7	2.0112.207.2	2	screw m 8 p 1.25 x 20
8	2.1475.202.2	2	spring washer 8.4 x 16
10	2.4019.480.2	1	spring 20.9x23.7x1.4
11	0.008.6029.0/10	1	coupling
12	2.0342.307.3	1	screw m 8 p.1.25 x 20
13	0.014.3518.0	1	pin
14	2.1559.277.0	4	bushing 14.1x20x10
16	0.008.6192.0/10	1	bracket
17	2.0112.005.2	1	screw m 6 p.1 x 16
18	2.1475.201.2	1	washer 6.4x12
19	0.013.3283.0/20	1	boot
20	0.014.3517.3/20	1	lever
22	0.013.3145.3/60	1	knob
27	2.1630.513.0	1	roll pin 5x32
28	0.014.3376.3/10	1	support
29	2.0342.107.3	1	screw m 5 p.0.8 x 25



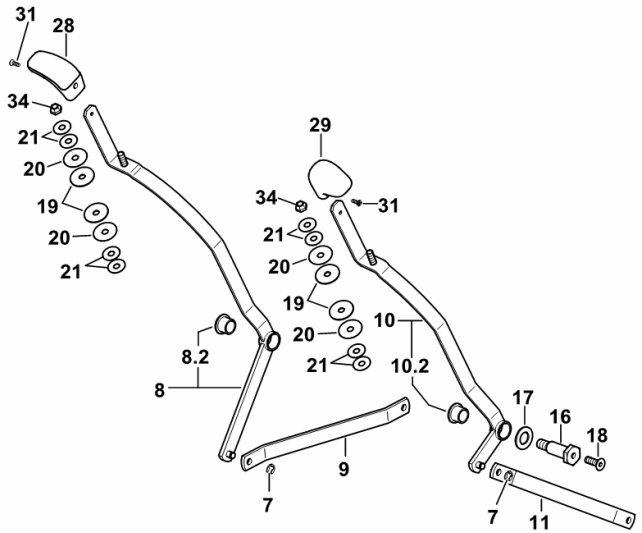
W9_H3764_04_0-A-001

REAR LIFT CONTROL

Fig.	Code	QTY	Name
------	------	-----	------

Notes:

- FOR MODELS WITH CAB [SOLARIS 35 -> 10001 2WD] - FOR MODELS WITH CAB [SOLAIRS 35 -> 10001 4WD]



W9_A5659_51_0-C-001

7	2.1430.008.7	8	circlip 7
8	0.013.3278.4/20	1	lever
8.2	2.1559.276.0/10	1	bushing 16x20x15
9	0.013.3483.0	1	rod
10	0.013.3280.4/20	1	lever
10.2	2.1559.276.0/10	1	bushing 16x20x15
11	0.013.3482.0	1	rod
16	2.1699.553.2/30	2	pin
17	2.1499.143.0	2	washer 16.5x30x2
18	2.0342.307.3	2	screw m 8 p.1.25 x 25
19	0.013.6436.0	4	ring 32x8.2x1.5
20	2.1599.883.2	4	washer 31.5x8.2x0.5
21	2.4099.053.7	8	spring 8.2 x 23 x 0.7
28	0.014.3587.0	1	grip
29	0.014.3588.0	1	knob
31	2.0351.404.6	4	screw 4.2x13 -B-
34	2.1121.005.2	2	nut m 8 p.1.25

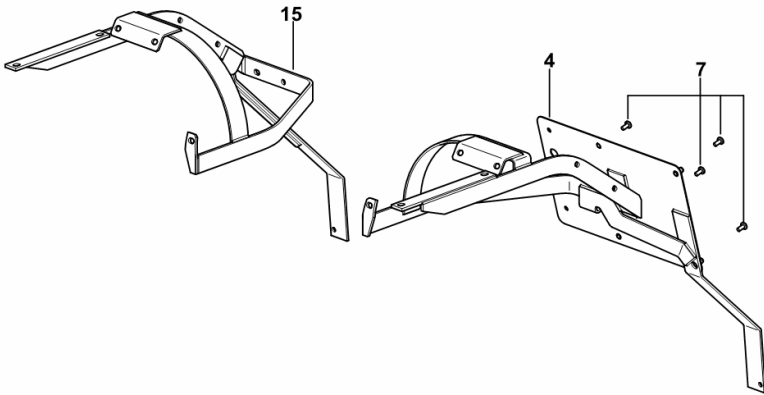
LICENCE PLATE HOLDER

Fig.	Code	QTY	Name
------	------	-----	------

Notes:

- WITH TYRES 24" [SOLARIS 35 -> 10001 2WD] - WITH TYRES 24" [SOLAIRS 35 -> 10001 4WD]

4	0.012.4929.3/10	1	plate holder
7	2.0332.303.6	4	screw m 5x10
15	0.012.4928.2/20	1	support dx/rh/re



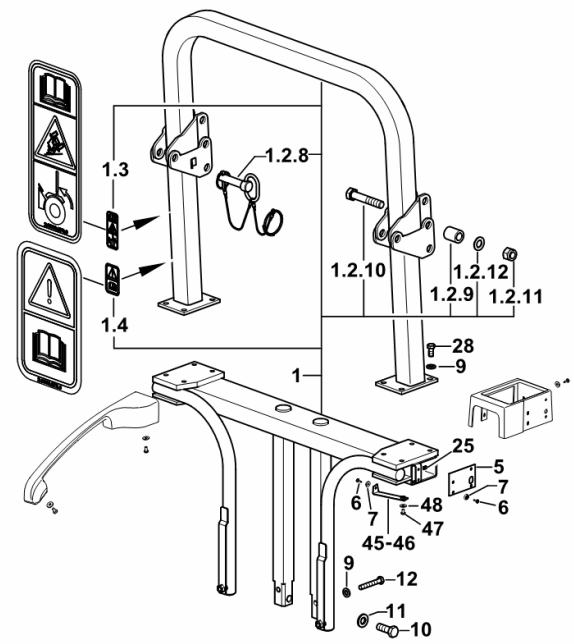
W9_55876_65_0-A-001

SAFETY ARCH FOLDING

Fig.	Code	QTY	Name
------	------	-----	------

Notes:

- WITH FOLD-DOWN ROPS [SOLARIS 35 -> 10001 2WD] - WITH FOLD-DOWN ROPS [SOLAIRS 35 -> 10001 4WD]



1	0.013.4147.4/30	1	safety frame
1.2.8	0.010.4049.4	2	pin
1.2.9	2.1549.332.2/10	2	spacer 20.8x35x42.5
1.2.10	2.0119.216.2	2	screw m 20 p.2.5 x 110
1.2.11	2.1120.011.2	2	nut m 20 p.2.5
1.2.12	2.1310.013.2	2	flat washer 21x37
1.3	2.9939.276.0	1	plate
1.4	2.9939.272.0	1	plate
5	0.010.9879.0/10	2	square
6	2.0350.505.3	6	screw 4.8x16
7	0.9200.358.0	10	washer 5.4x10x15.8
9	2.1475.204.6	10	washer 12
10	2.0122.719.6	2	screw m 18 p.1.5x50
11	2.1475.107.6	2	washer 18
12	2.0112.424.2	2	screw m 12 p.1.75x75
25	2.6999.063.0	4	small spring
28	2.0112.409.2	8	screw m 12 p.1.75 x 25
45	0.013.6498.3	1	square dx/rh/re
46	0.013.6499.3	1	square sx/lh/li
47	2.0332.403.2	2	screw m 6 p.1 x 10
48	2.1312.003.3	8	washer 6.6 x 18

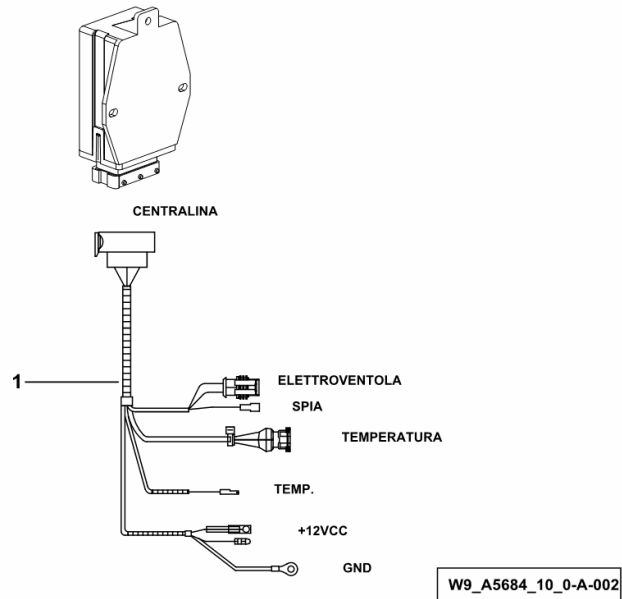
ELECTRICAL SYSTEM FOR FAN

Fig.	Code	QTY	Name
------	------	-----	------

Notes:

- FOR MODELS WITH CAB [SOLARIS 35 -> 10001 2WD] -> 10143 - FOR MODELS WITH CAB [SOLAIRS 35 -> 10001 4WD] -> 10143

1	0.015.0030.4	1	electrical system
---	--------------	---	-------------------



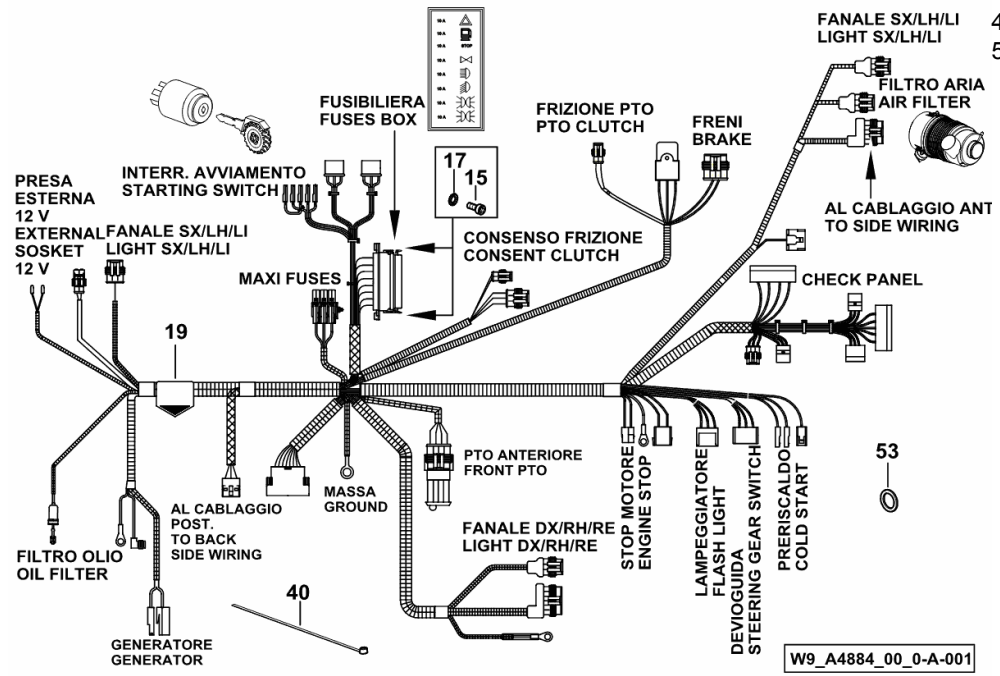
CENTRAL WIRING LOOM

Fig.	Code	QTY	Name
------	------	-----	------

Notes:

[SOLARIS 35 -> 10001 2WD] [SOLAIRS 35 -> 10001 4WD]

15	2.0312.004.2	2	screw m 5 p.0.8 x 10
17	2.1472.002.2	2	washer 5
19	0.012.6949.4/10	1	electrical system ☞ 0.012.6949.4/10
40	2.6852.203.0	40	clamp 292 x 4.8
53	2.1560.010.0	1	gasket 14.2 x 20 x 1.5



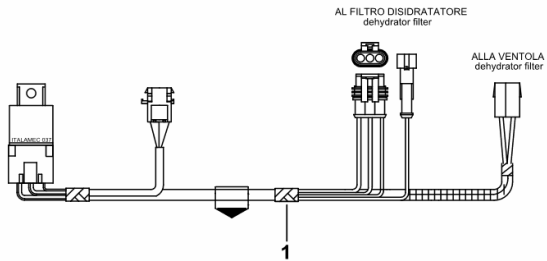
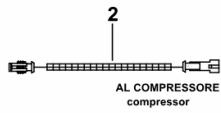
AIR CONDITIONING ELECTRICAL SYSTEM AND COMPRESSOR

Fig.	Code	QTY	Name
------	------	-----	------

Notes:

[SOLARIS 35 -> 10001 2WD] [SOLAIRS 35 -> 10001 4WD]

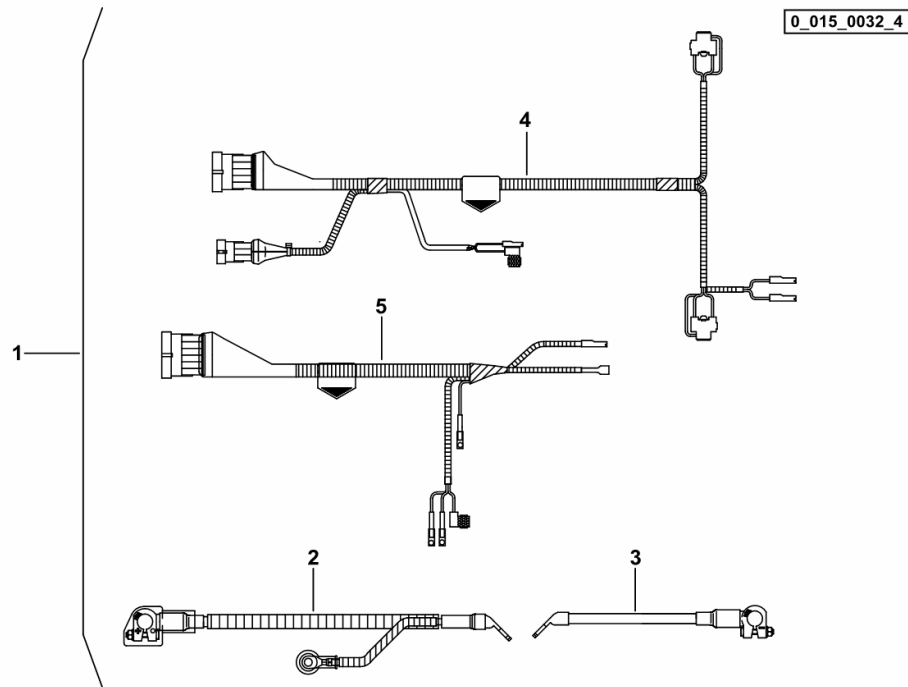
1	0.014.7596.4	1	electrical system
2	0.014.7601.4	1	wire



W9_H3786_19_0-A-001

ELECTRICAL SYSTEM

Fig.	Code	QTY	Name
1	0.015.0032.4	1	electrical system
2	0.900.0016.2	1	wire +
3	0.900.0016.3	1	wire -
4	0.000.0000.1	1	not serviceable
5	0.000.0000.1	1	not serviceable



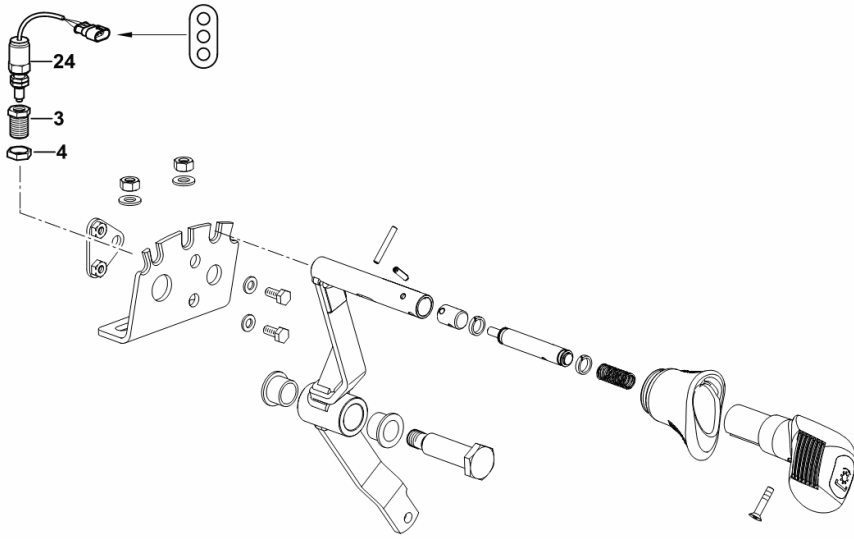
PTO SELECTOR SWITCH

Fig.	Code	QTY	Name
------	------	-----	------

Notes:

[SOLARIS 35 -> 10001 2WD] [SOLAIRS 35 -> 10001 4WD]

3	0.012.5596.0/20	1	bushing
4	2.1011.509.2	1	nut m 16 p.1.5
24	2.7659.263.0	1	switch



W9_A4884_00_0-F-001

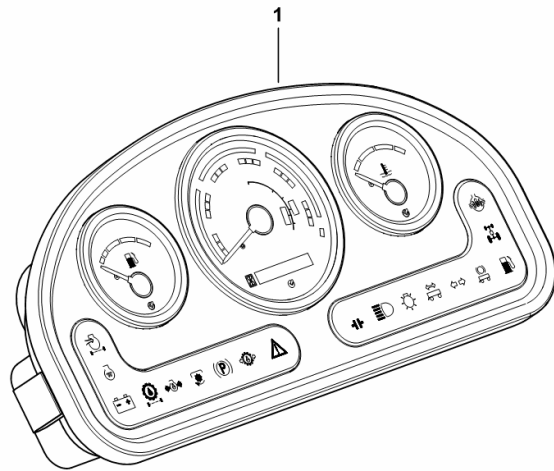
CHRONO-TACHOMETER

Fig.	Code	QTY	Name
------	------	-----	------

Notes:

[SOLARIS 35 -> 10001 2WD] [SOLAIRS 35 -> 10001 4WD]

1	2.8339.230.0/70	1	instrument holder ☞ 2.8339.230.0/70
---	-----------------	---	--



W9_A4884_01_0-A-001

CLICK HERE TO **DOWNLOAD** THE COMPLETE MANUAL

- Thank you very much for reading the preview of the manual.
- You can download the complete manual from: www.heydownloads.com by clicking the link below



- Please note: If there is no response to CLICKING the link, please download this PDF first and then click on it.

CLICK HERE TO **DOWNLOAD** THE COMPLETE MANUAL

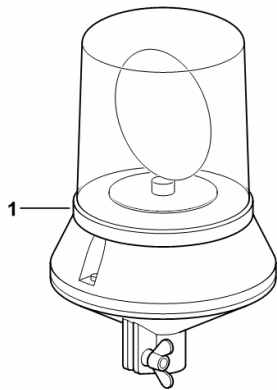
WARNING BEACON

Fig.	Code	QTY	Name
------	------	-----	------

Notes:

[SOLAIRS 35 -> 10001 4WD] 10536 <-

1	0.009.6758.4/10	1	blinker ☞ 0.009.6758.4/10
---	-----------------	---	------------------------------



W9_62085_24_0-A-001

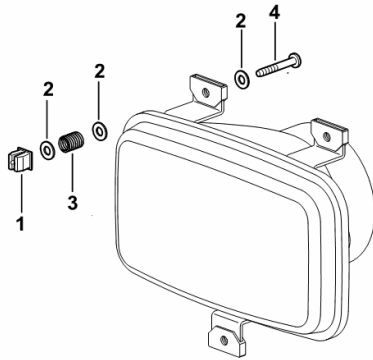
LIGHT FIXINGS

Fig.	Code	QTY	Name
------	------	-----	------

Notes:

[SOLARIS 35 -> 10001 2WD] [SOLAIRS 35 -> 10001 4WD]

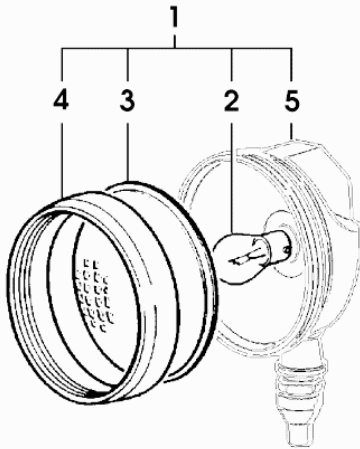
1	2.6999.038.0	6	special nut 4.2
2	2.1310.028.2	18	flat washer 4
3	2.4019.619.0	6	spring
4	2.0350.108.6	6	screw



W9_A4885_21_0-A-001

HEADLAMP COMPONENTS

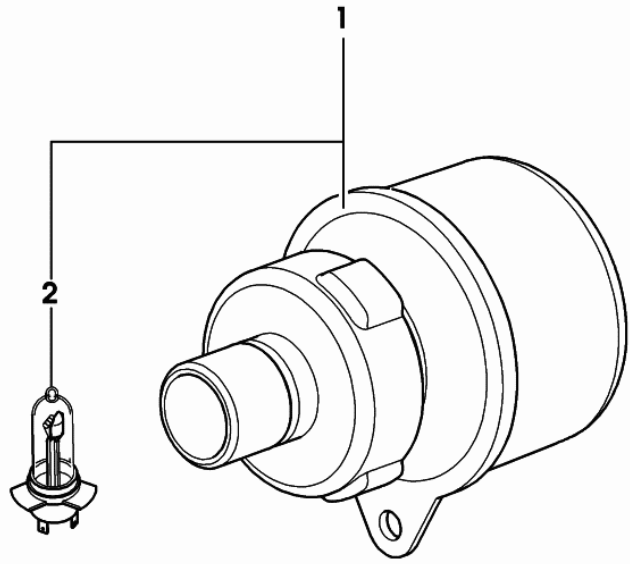
Fig.	Code	QTY	Name
1	2.8029.300.0	1	headlight
2	2.8210.004.0	1	lamp 12V-35W
3	2.8029.120.1	1	light body
4	2.8029.120.2	1	gasket
5	0.000.0000.1	0	not serviceable



2_8029_300_0

REAR LIGHT

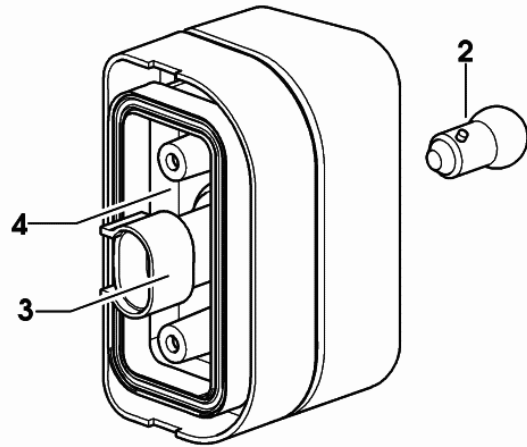
Fig.	Code	QTY	Name
1	2.8059.012.0	1	lamp stop
2	0.900.0063.3	1	lamp 12V 21W



2_8059_012_0

LICENCE PLATE LIGHT

Fig.	Code	QTY	Name
1	2.8059.526.0	1	side lamp
2	0.900.0271.6	1	lamp W5W 12V 5W
3	0.900.0271.7	1	socket
4	0.900.0271.8	1	light body



2_8059_526_0

Section: B0 - ENGINE
CYLINDER HEAD COVER

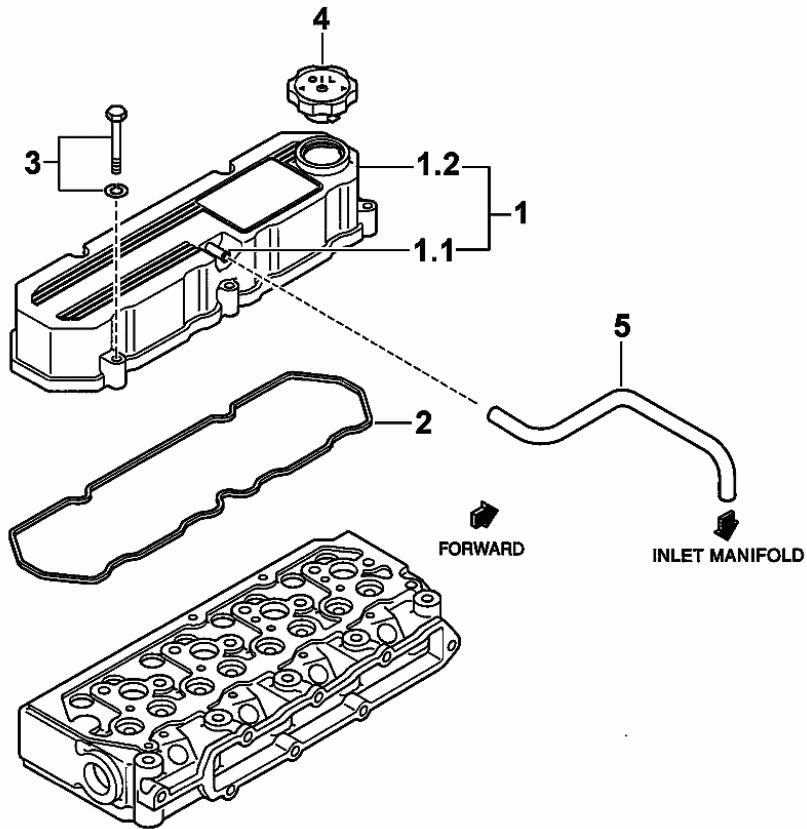


Fig.	Code	QTY	Name
1	0.010.2647.1	1	cover
1.1	0.000.0000.1	0	not serviceable
1.2	0.000.0000.1	0	not serviceable
2	0.010.2647.2	1	gasket
3	0.010.2645.2	5	screw
4	0.009.4548.0	1	plug
5	0.010.2647.0	1	tube

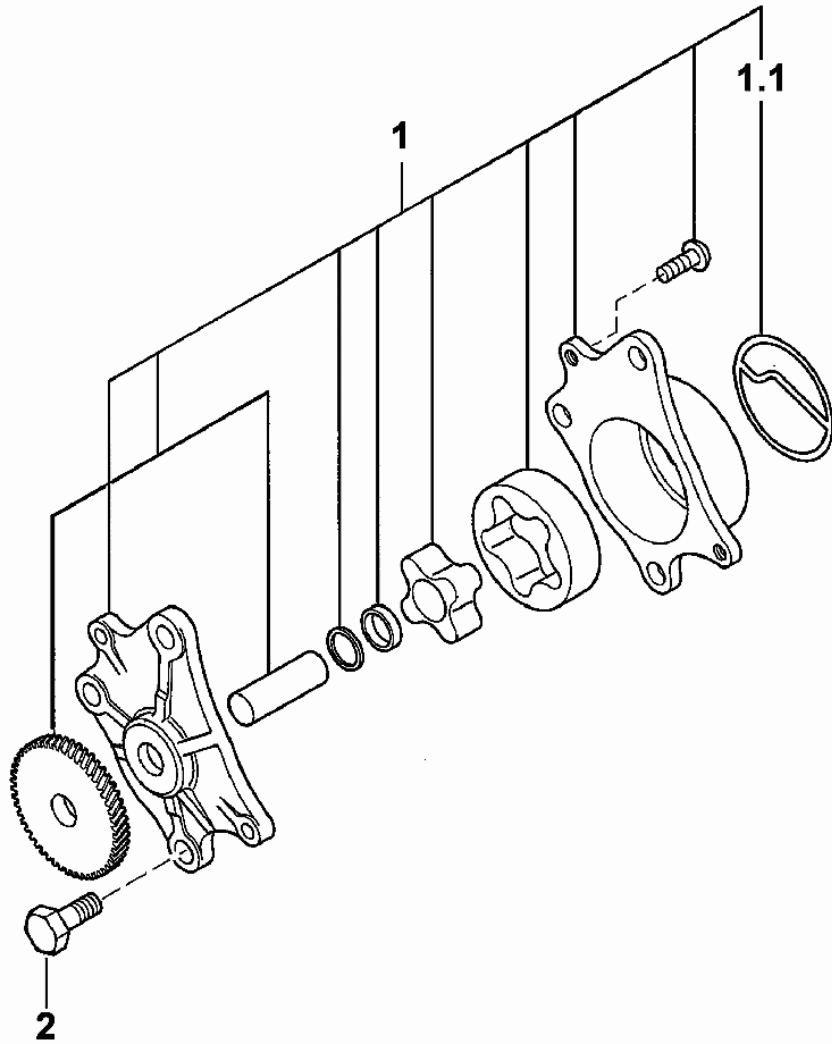
MIT_H36_005-A-001

01031-021E

Section: B0 - ENGINE

OIL PUMP

Fig.	Code	QTY	Name
1	0.010.2684.2	1	oil pump
1.1	0.010.2685.0	1	gasket
2	0.010.2685.1	3	screw



03011-001E

MIT_H36_025-A-001

Section: B0 - ENGINE
STARTER PARTS

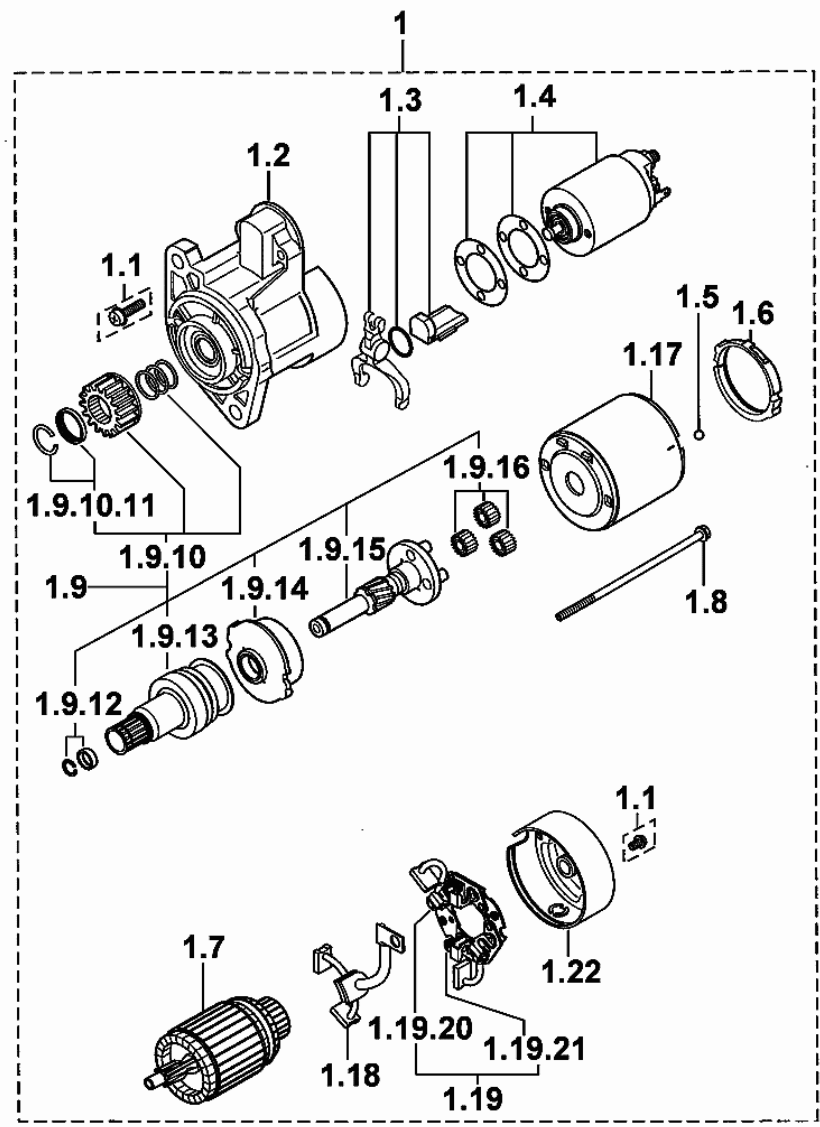


Fig.	Code	QTY	Name
1	0.010.3962.0	1	starter motor 12V-1.7KW
1.1	0.010.3962.1	1	screw
1.2	0.010.3962.2	1	support
1.3	0.010.3963.0	1	lever
1.4	0.010.3963.1	1	switch
1.5	0.010.3963.2	1	ball
1.6	0.010.3964.0	1	ring nut
1.7	0.010.3964.1	1	armature
1.8	0.010.3965.1	1	screw
1.9	0.010.3965.2	1	small shaft
1.9.10	0.010.3966.0	1	pinion
1.9.10.11	0.010.3966.1	1	stopper
1.9.12	0.010.3966.2	1	stopper
1.9.13	0.010.3967.0	1	small shaft
1.9.14	0.010.3967.1	1	body
1.9.15	0.010.3967.2	1	small shaft
1.9.16	0.010.3968.0	3	gear
1.17	0.010.3968.1	1	body
1.18	0.010.3968.2	1	brush set
1.19	0.010.3969.0	1	brush set
1.19.20	0.010.3969.1	2	spring
1.19.21	0.010.3969.2	2	spring
1.22	0.010.3970.0	1	cover

MIT_H36_045-A-001

07020-040

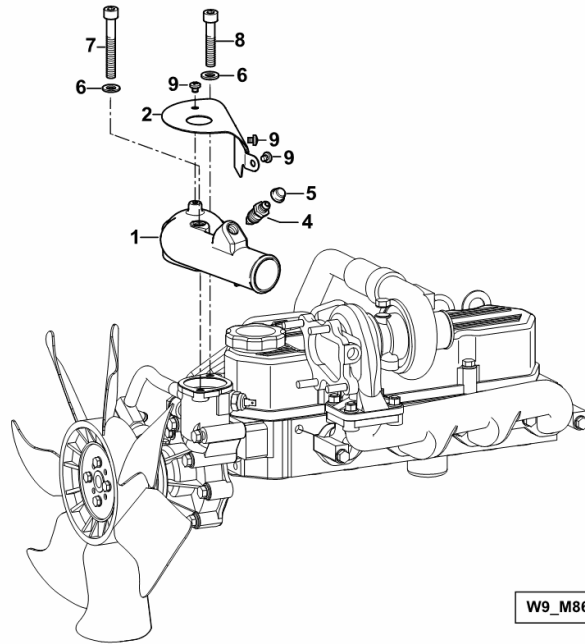
COOLING

Fig.	Code	QTY	Name
------	------	-----	------

Notes:

[SOLARIS 35 -> 10001 2WD] 10028 <- [SOLAIRS 35 -> 10001 4WD] 10028 <-

1	0.013.6347.0/10	1	pipe fitting
2	0.013.6370.0	1	bracket
4	0.170.5455.0	1	valve
5	2.3199.039.0	1	plug 6.50 x 7.25
6	2.1310.004.2	2	flat washer 8.5
7	2.0312.218.2	1	screw m 8 p.1.25 x 60
8	2.0312.215.2	1	screw m 8 p.1.25 x 45
9	2.0332.301.2	3	screw m 5x5



W9_M8617_01_0-A-001

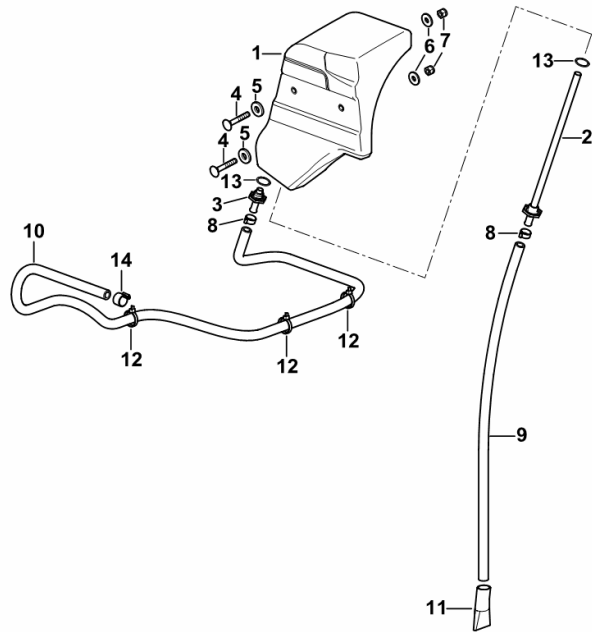
COLLECTION TANK

Fig.	Code	QTY	Name
------	------	-----	------

Notes:

[SOLARIS 35 -> 10001 2WD] [SOLAIRS 35 -> 10001 4WD]

1	0.013.6570.4/20	1	cup
2	0.013.6749.3/10	1	tube
3	0.013.6829.3/10	1	tube
4	2.0020.109.2	2	screw m 6 p.1 x 40
5	2.1499.215.0	2	washer 8.5x20x1
6	2.1312.003.2	2	washer 6
7	2.1120.003.2	2	nut m 6
8	2.6857.017.0	2	clamp 13
9	0.013.6765.0	1	tube mm 8x13x600
10	0.013.6764.0	1	tube mm 8x13x1000
11	0.009.0890.0	1	terminal
12	2.6852.101.0	3	clamp 142x3.6
13	2.1530.039.0	2	'o' ring 15.6x1.78
14	2.6857.013.0	1	clamp



W9_A4883_04_0-A-001

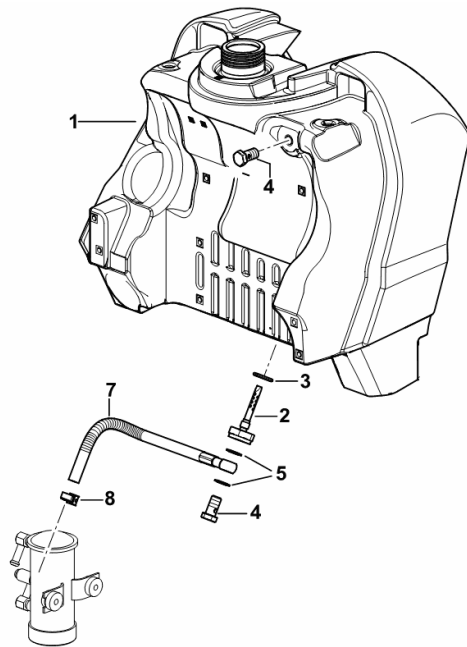
FUEL TANK

Fig.	Code	QTY	Name
------	------	-----	------

Notes:

[SOLARIS 35 -> 10001 2WD] [SOLAIRS 35 -> 10001 4WD]

1	0.013.2854.4/70	1	tank
2	0.013.5377.3/10	1	tube
3	2.1530.056.0	1	'o' ring 21.82 x 3.53
4	2.3332.004.1	2	pipe union m 14 p.1.5 x 27
5	2.1561.007.0	2	gasket 14,8x22.2
7	0.013.3779.2/40	1	tube mm 351
8	2.6851.018.0	1	clamp 11/17



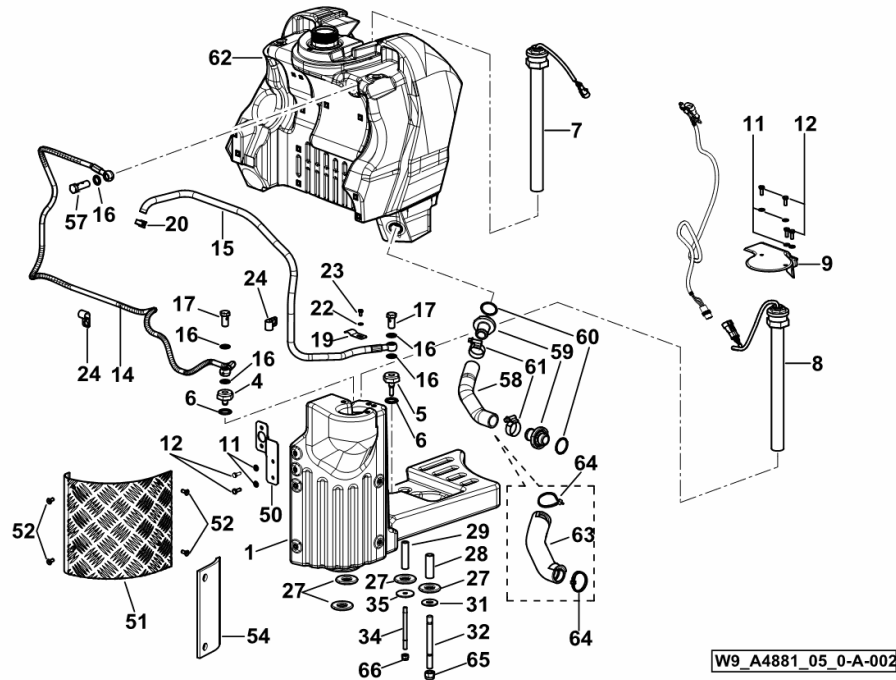
W9_H3881_00_0-A-001

AUXILIARY TANK

Fig.	Code	QTY	Name
------	------	-----	------

Notes:

- FOR MODELS WITH PLATFORM [SOLARIS 35 -> 10001 2WD] - FOR MODELS WITH PLATFORM [SOLAIRS 35 -> 10001 4WD]



1	0.014.0009.4/20	1	fueltank
4	0.013.5377.0/10	1	pipe fitting
5	0.013.9767.3/20	1	pipe fitting
6	2.1530.056.0	2	'o' ring 21.82 x 3.53
7	2.7059.821.0	1	float level
8	2.7059.822.0	1	float level
9	0.014.2878.0/10	1	guard
11	2.1310.002.2	6	washer 6.6, d125
12	2.0114.005.2	6	screw m 6 p.1.0 x 16
14	0.015.2830.2	1	tube
15	0.013.9753.2/20	1	tube
16	2.1561.007.0	5	gasket 14,8x22.2
17	2.3332.004.1	2	pipe union m 14 p.1.5 x 27
19	0.013.9768.0	2	bracket
20	2.6851.018.0	1	clamp 11/17
22	2.1310.001.2	2	flat washer 5.3
23	2.0114.102.2	2	screw m 5x10
24	0.013.9808.0/10	2	clamp
27	0.013.9805.0	4	spacer 20x50x5
28	0.013.9778.0	1	tube 13x18x54
29	0.013.9776.0/10	1	tube 9x15x63.5
31	2.1312.006.2	1	washer 14.5
32	2.0422.426.2	1	stud bolt
34	2.0422.223.2	1	stud bolt
35	2.1599.616.2	1	washer
50	0.014.2875.3	1	bracket
51	0.014.2978.0/10	1	guard
52	2.0342.203.3	4	screw m 6 p.1.0 x 16
54	0.014.4594.0	1	shield
57	2.3339.280.2	1	pipe union m 14 p.1.5X42
58	0.015.2820.0	1	tube
59	0.014.7941.0	2	pipe fitting
60	2.1530.087.0	2	'o' ring 32.99x2.62
61	2.6851.003.0	2	clamp Ø 25/40
62	0.015.2819.4	1	tank
63	0.015.2870.0/10	1	guard
64	2.6852.203.0	2	clamp 292 x 4.8
65	2.1120.007.2	1	nut m 12 p.1.75
66	2.1120.005.2	1	nut m 8 p.1.25

Section: F0 - FRONT AXLE

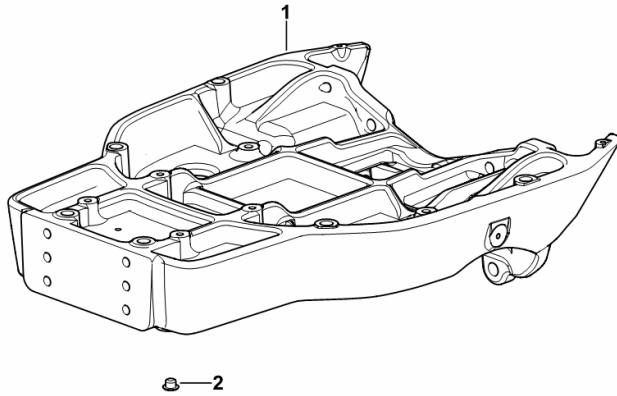
FRONT SUPPORT

Fig.	Code	QTY	Name
------	------	-----	------

Notes:

- FOR MODELS WITHOUT FRONT P.T.O. [SOLARIS 35 -> 10001 2WD] - FOR MODELS WITHOUT FRONT P.T.O. [SOLAIRS 35 -> 10001 4WD]

1	0.013.1833.0/60	1	front support
2	2.3199.537.0	4	plug Ø 11



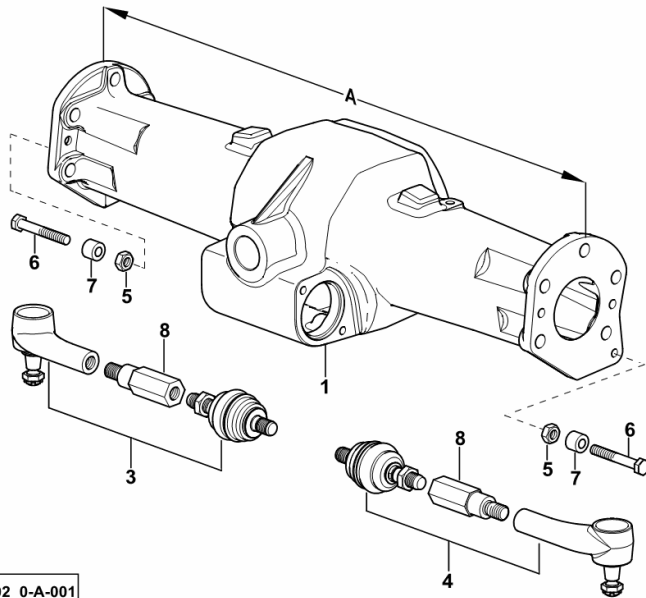
W9_A4852_02_0-A-001

Section: F0 - FRONT AXLE
4WD - FRONT DRIVE AXLE

Fig.	Code	QTY	Name
------	------	-----	------

Notes:
 [SOLAIRS 35 -> 10001 4WD]

1	0.007.7062.0/30	1	front axle A = mm 734
3	0.012.8958.4/10	1	rod dx/rh/re ☞ 0.012.8958.4/10
4	0.012.8957.4/10	1	rod sx/lh/li ☞ 0.012.8957.4/10
5	2.1011.106.2	2	nut m 10 p.1.5
6	2.0119.296.2	2	screw m 10 p.1.5 x 80
7	2.1549.237.2/10	2	spacer 10.2x20x15
8	0.012.8949.0	2	spacer



W9_A5643_02_0-A-001

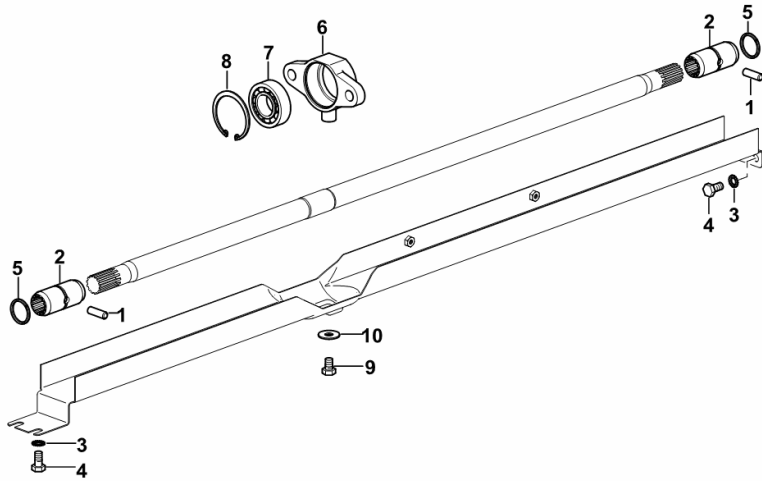
Section: F0 - FRONT AXLE
4WD - TRANSMISSION SHAFT

Fig.	Code	QTY	Name
------	------	-----	------

Notes:

[SOLAIRS 35 -> 10001 4WD]

1	2.1650.711.0	2	pin 8x24
2	0.008.7231.0/30	2	sleeve
3	2.1470.004.2	4	washer 8
4	2.0112.205.2	4	screw m 8 p.1.25 x 16
5	2.1499.182.7	2	circlip
6	0.013.0330.0	1	support
7	2.2041.010.0	1	ball bearing 25x52x15
8	2.1411.021.1	1	circlip 52
9	2.0112.203.2	1	screw m 8 p.1.25 x 12
10	2.1312.004.2	1	washer 8.4



W9_A4826_00_0-A-001

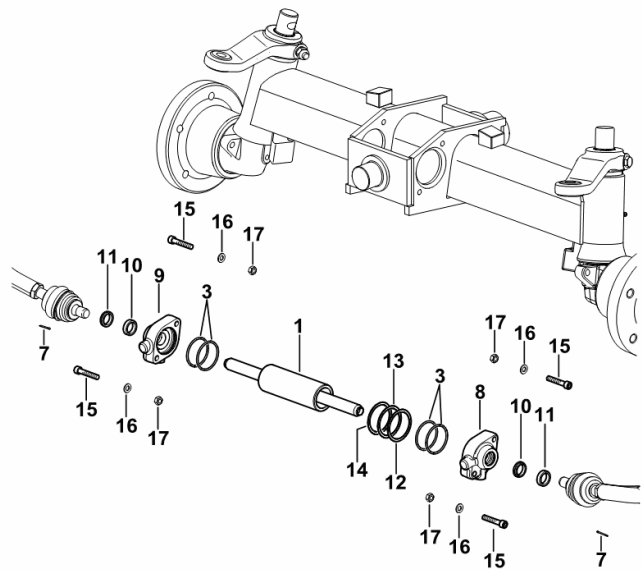
2WD - POWER STEERING CYLINDER

Fig.	Code	QTY	Name
------	------	-----	------

Notes:

[SOLARIS 35 -> 10001 2WD]

1	0.012.8878.4/10	1	cylinder mm 404 ☞ 0.012.8878.4/10
3	2.1530.145.0	4	'o' ring 58.74x3.53
7	2.1690.310.2	2	split pin 3.2 x 25
8	0.008.7880.0/20	1	support sx/lh/li
9	0.008.7879.0/20	1	support dx/rh/re
10	2.1519.112.0	2	'o' ring 25x33x8
11	2.1519.111.0	2	'o' ring 25x33x7
12	2.1580.213.0	1	shim 60,5x70x0,15
13	2.1580.225.0	1	shim 60x71.5x0.2
14	2.1580.226.0	1	shim 60x71.5x0.5
15	2.0312.317.2	4	screw m 10 x 55
16	2.1310.006.2	4	flat washer 10.5
17	2.1011.006.2	4	nut m 10 p.1.5



W9_H3743_08_0-A-001

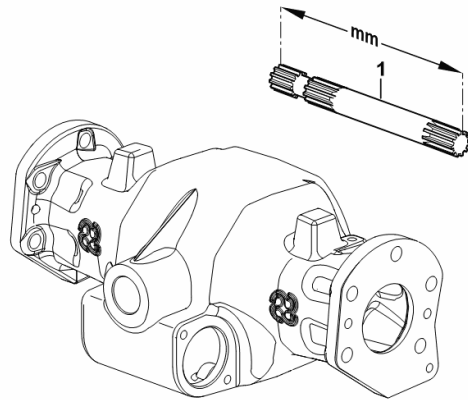
4WD - HALF-SHAFTS WITH DIFFERENTIAL LOCK

Fig.	Code	QTY	Name
------	------	-----	------

Notes:

- FOR NARROW TYPES [SOLAIRS 35 -> 10001 4WD]

1	0.008.7767.0/10	1	half-shaft mm 250
---	-----------------	---	-------------------



W9_53143_04_0-A-001

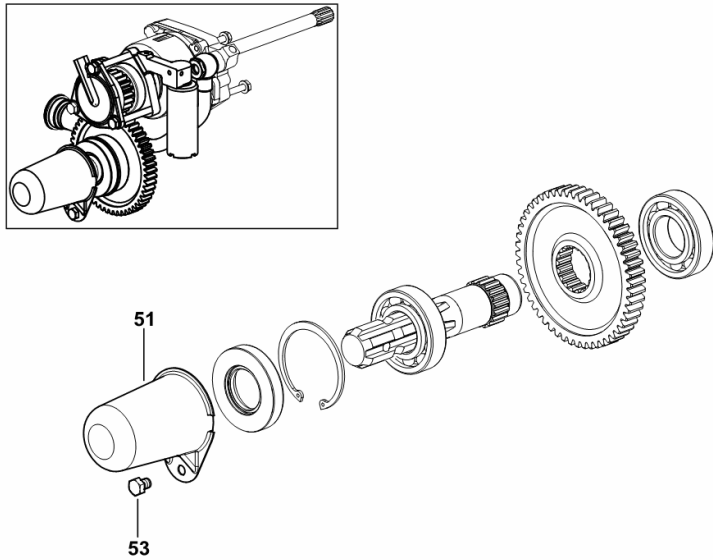
Section: M0 - FRONT PTO
P.T.O. SHAFT PROTECTOR FRONT

Fig.	Code	QTY	Name
------	------	-----	------

Notes:

[SOLARIS 35 -> 10001 2WD] [SOLAIRS 35 -> 10001 4WD]

51	0.002.7333.0	1	guard
53	2.0112.202.2	2	screw m 8 p.1.25 x 10



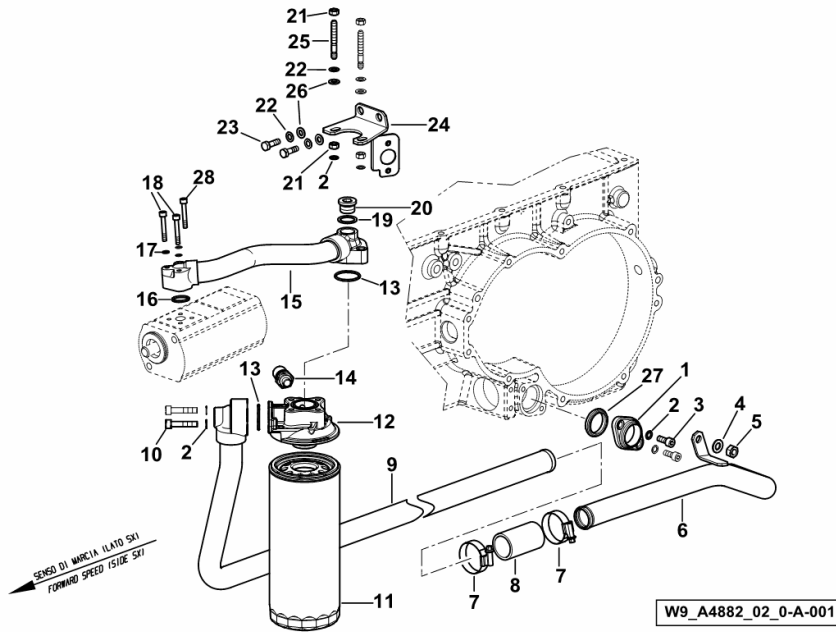
W9_A4959_85_0-C-001

PUMP FILTER SUCTION

Fig.	Code	QTY	Name
------	------	-----	------

Notes:

- FOR MODELS WITH PLATFORM [SOLARIS 35 -> 10001 2WD] 10028 <- - FOR MODELS WITH PLATFORM [SOLAIRS 35 -> 10001 4WD] 10028 <-



1	0.009.7478.0	1	flange
2	2.1480.014.2	6	washer 8
3	2.0312.206.2	2	screw m 8 p 1.25 x 20
4	2.1475.003.2	1	washer 10
5	2.1011.421.2	1	nut m 10 p.1.25
6	0.009.7439.2	1	tube
7	2.6851.004.0	2	clamp Ø 32/50
8	2.3213.234.0	1	sleeve Ø 34, L 70
9	0.013.2776.3	1	tube
10	2.0312.214.2	2	screw m 8 p.1.25 x 40
11	2.4419.320.0/20	1	hydr.oil filter elem
12	2.4419.350.1/40	1	head
13	2.1531.091.0	2	'o' ring 34.60 x 2.62
14	2.7099.180.0/10	1	pressure switch
15	0.013.2781.3/10	1	tube
16	2.1531.058.0	1	'o' ring 22.22x2.62
17	2.1480.012.2	3	washer 6, d128
18	2.0312.115.2	2	screw m 6 p.1x45
19	2.1560.018.0	1	gasket 22.2 x 29
20	2.3120.002.4	1	plug m 22 x 1.5
21	2.1011.105.2	4	nut m 8 p.1.25
22	2.1470.004.2	4	washer 8
23	2.0112.209.2	2	screw m 8 p 1.25 x 25
24	0.013.2782.3/10	1	bracket
25	2.0422.215.7	2	stud bolt m 8 p.1.25 x 50
26	2.1310.004.2	4	flat washer 8.5
27	0.255.8255.0/60	1	ring 32.5x8.5x5.9
28	2.0312.114.2	1	screw m 6 p.1x40

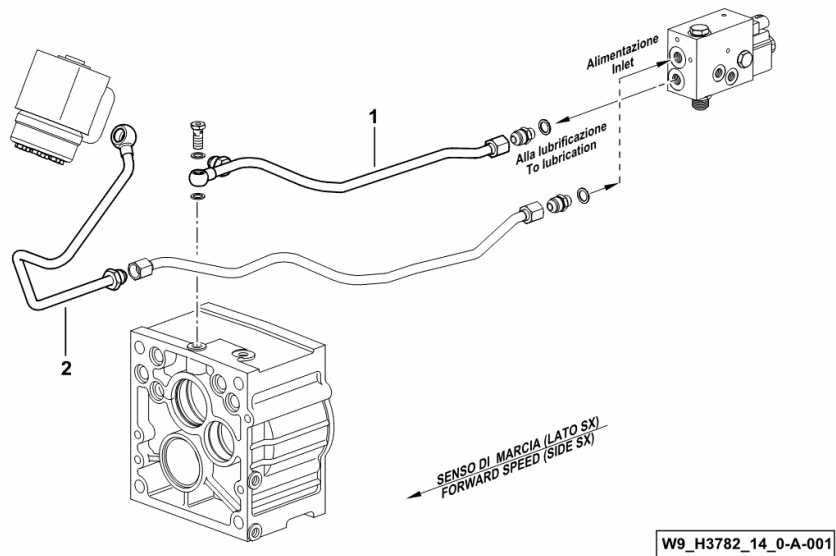
HYDRAULIC SYSTEM

Fig.	Code	QTY	Name
------	------	-----	------

Notes:

- WITH 16+16 GEARBOX - FOR TYPES WITHOUT FRONT PTO [SOLARIS 35 -> 10001 2WD] - WITH 16+16 GEARBOX - FOR TYPES WITHOUT FRONT PTO [SOLAIRS 35 -> 10001 4WD]

1	0.014.9687.3	1	tube
2	0.013.3041.3	1	tube



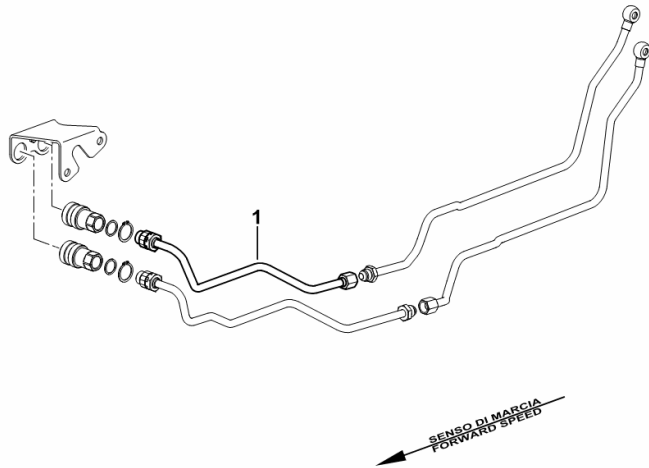
HYDRAULIC SYSTEM - MID QUICK SERVICE COUPLERS

Fig.	Code	QTY	Name
------	------	-----	------

Notes:

- FOR MODELS WITHOUT FRONT LIFT [SOLARIS 35 -> 10001 2WD] - FOR MODELS WITHOUT FRONT LIFT [SOLAIRS 35 -> 10001 4WD]

1	0.013.9839.3	1	tube
---	--------------	---	------



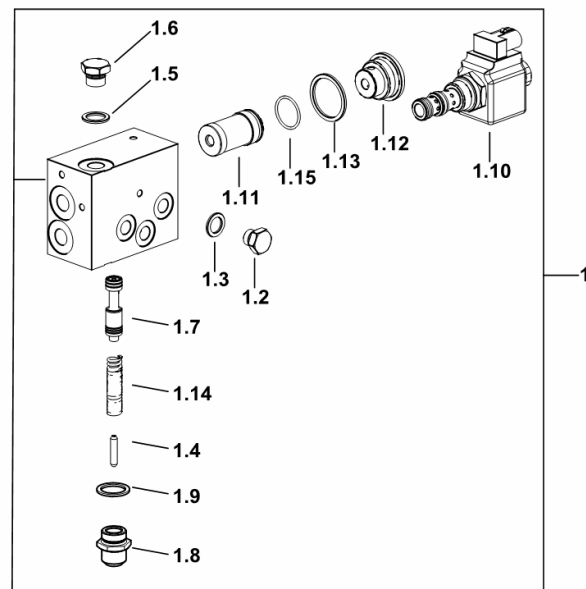
W9_A5088_06_0-A-001

PRESSURE CONTROL VALVE

Fig.	Code	QTY	Name
------	------	-----	------

Notes:

- FOR ELEKTROHYDRAULIC LOCKING TYPES [SOLAIRS 35 -> 10001 4WD]



W9_A4882_10_0-A-001

1	0.013.2617.4/30	1	valve
1.2	2.3110.402.2	1	plug m 12 p.1.5
1.3	2.1560.008.0	1	gasket 12.2 x 18
1.4	2.1650.411.0	1	pin 5x25
1.5	2.1560.010.0	1	gasket 14.2 x 20 x 1.5
1.6	2.3110.403.2	1	plug m 14
1.7	0.011.8662.0/10	1	slider
1.8	2.3199.317.2	1	plug m 18 p.1.5
1.9	2.1560.014.0	1	gasket 18.2 x 24 x 1.5
1.10	2.3729.697.0/10	1	electro valve 13V - 20W (10439 <-) ☞ 2.3729.697.0/10
1.10	2.3729.697.0/20	1	electro valve 13V - 20W (-> 10435) ☞ 2.3729.697.0/20
1.11	2.4419.680.0/10	1	filter
1.12	2.3199.316.2	1	plug m 30 p.1.5
1.13	2.1560.023.0	1	gasket 30.3 x 36
1.14	2.4019.770.1	1	spring
1.15	2.1531.057.0	1	'o' ring

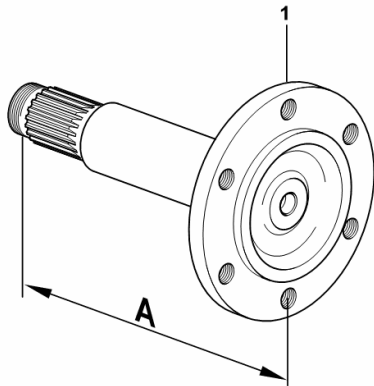
HALF AXLES A = mm 277

Fig.	Code	QTY	Name
------	------	-----	------

Notes:

[SOLARIS 35 -> 10001 2WD] [SOLAIRS 35 -> 10001 4WD]

1	0.008.6262.0/30	2	half-shaft
---	-----------------	---	------------



W9_A4847_01_0-A-001

Section: R0 - REAR LIFT
REGULATING DISTRIBUTOR

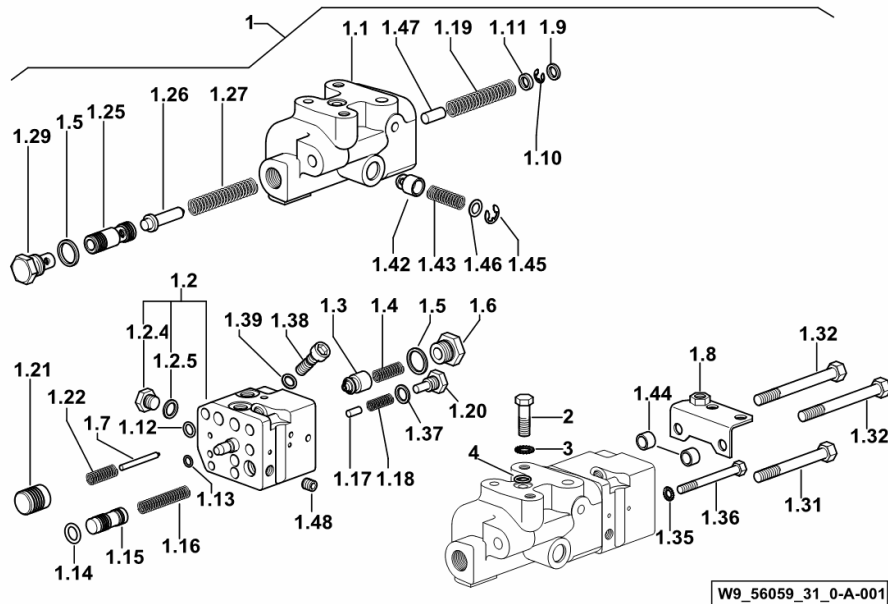


Fig.	Code	QTY	Name
------	------	-----	------

Notes:

[SOLARIS 35 -> 10001 2WD] [SOLAIRS 35 -> 10001 4WD]

1	0.009.2571.4/50	1	distributor
1.1	0.000.0000.1	0	not serviceable
1.2	0.9087.420.3/70	1	distributor
1.2.4	2.3110.401.1	3	plug m 10 p.1x8
1.2.5	2.1560.005.0	3	gasket 10.2 x 14
1.3	0.9087.452.3/10	1	valve
1.4	2.4019.257.1	1	spring 8.8x25x1.1
1.5	2.1560.011.0	2	gasket 16.2x20
1.6	2.3199.062.2	1	plug m 16 p.1.5
1.7	0.9087.450.0/20	1	stem
1.8	0.009.2595.2	1	square
1.9	0.9087.456.0	1	washer
1.10	2.1420.002.0	1	circlip a 8
1.11	0.9087.455.0	1	ring
1.12	2.1531.025.0	2	'o' ring 10.82x1.78
1.13	2.1531.009.0	1	'o' ring 5.28x1.78
1.14	2.1531.033.0	1	'o' ring 13.11x2.62
1.15	0.9087.457.0/10	1	valve
1.16	2.4019.256.1	1	spring 7.8 x 54 x 1.4
1.17	2.1699.155.0	1	pin 5x11.5
1.18	2.4019.258.1	1	spring 7.8x25.5x0.9
1.19	2.4019.487.1	1	spring
1.20	2.3199.061.2	1	plug m 10 p.1
1.21	0.9087.451.0/20	1	small piston
1.22	2.4019.257.1	1	spring 8.8x25x1.1
1.25	0.009.3324.0/10	1	small piston
1.26	0.9087.468.0	1	pin
1.27	2.4019.006.1	1	spring 12.2x70x1.2
1.29	2.3199.236.1	1	plug
1.31	2.0112.223.2	1	screw m 8 p.1.25x70
1.32	2.0112.225.2	2	screw m 8 p.1.25 x 80
1.35	2.1470.002.2	1	washer 6, d128
1.36	2.0112.021.2	1	screw m 6 p.1 x 60
1.37	2.1569.095.0	1	gasket 10.4x14x1.2
1.38	0.9087.463.3/20	1	screw
1.39	2.1560.003.0	1	gasket 8.2 x 12
1.42	0.009.2386.0	1	valve
1.43	2.4019.488.1	1	spring
1.44	2.1579.776.0	2	spacer 8.8x12x8
1.45	2.1411.003.1	1	circlip 14
1.46	2.1579.630.0	1	washer 8

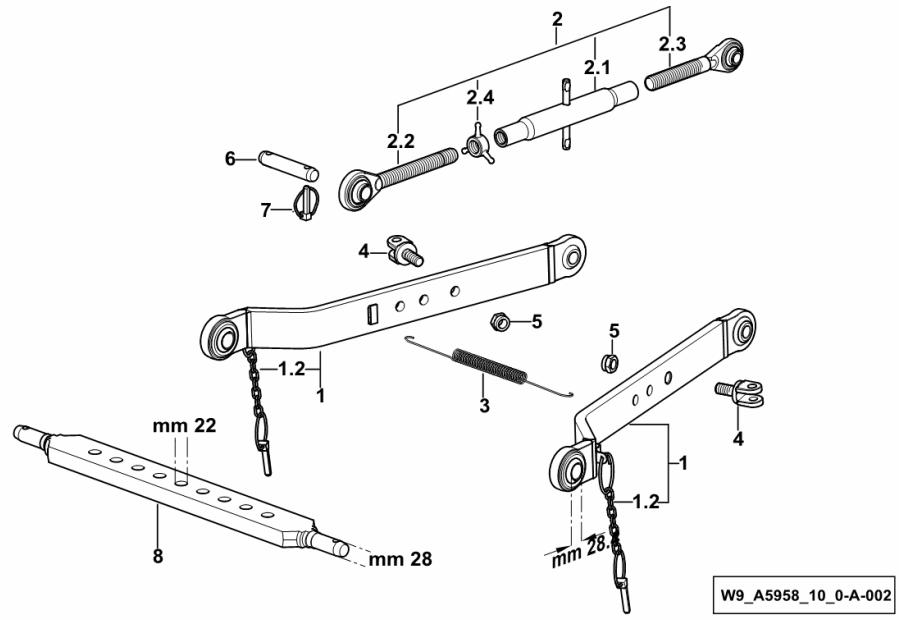
THREE-POINT COUPLING - TOP/LOWER LINK

Fig.	Code	QTY	Name
------	------	-----	------

Notes:

- EXPORT PL [SOLARIS 35 -> 10001 2WD] -> 10513 - EXPORT PL [SOLAIRS 35 -> 10001 4WD] -> 10513

1	0.012.4982.4/10	2	arm
1.2	0.001.3041.4	1	pin
2	0.007.7040.4/20	1	3 point hitch
2.1	0.96018.13.3	1	sleeve
2.2	0.96044.14.3/20	1	rod dx/rh/re
2.3	0.96014.15.3	1	rod sx/lh/li
2.4	0.96014.57.0/10	1	locknut m 27 p.3
3	2.4049.111.2	1	spring
4	0.008.7619.0	2	pin
5	2.1120.310.2	2	selflock nut m 18 p.1.5
6	2.1669.024.2	1	pin 25.4 x 133
7	0.010.9322.4	2	pin Ø 11
8	0.96714.10.0/10	1	draw bar



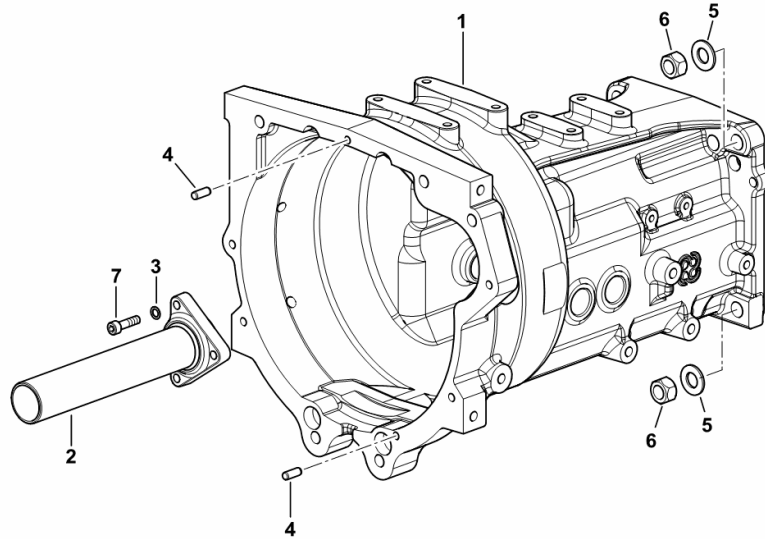
JUNCTION CASE

Fig.	Code	QTY	Name
------	------	-----	------

Notes:

16+16 [SOLARIS 35 -> 10001 2WD] 16+16 [SOLAIRS 35 -> 10001 4WD]

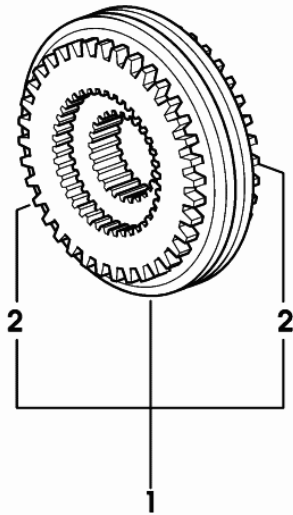
1	0.014.3365.0/30	1	clutch housing
2	0.014.3380.2/10	1	support
3	2.1480.014.2	3	washer 8
4	2.1651.709.0	2	pin 8x20
5	2.1475.006.2	4	washer 16
6	2.1011.409.2	4	nut m 16 p.1.5
7	2.0312.210.2	3	screw m 8 p 1.25 x 30



W9_H3752_06_0-A-001

Section: D0 - TRANSMISSION
SYNCHRONIZER PARTS

Fig.	Code	QTY	Name
1	0.008.4951.4	1	lock synchronizer
2	0.009.4863.0	2	ring



008_4951_4

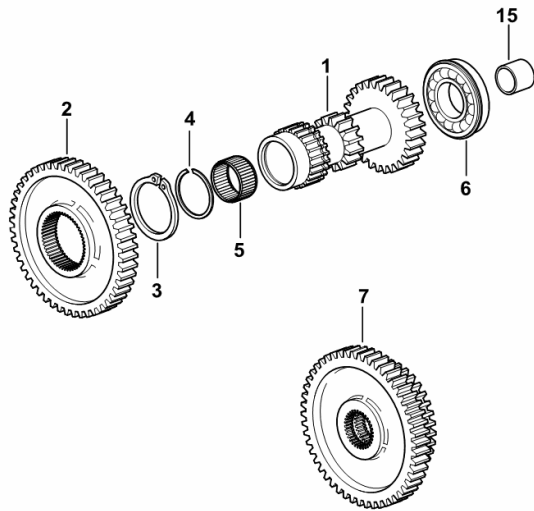
Section: D0 - TRANSMISSION
REDUCTION GEAR UNIT

Fig.	Code	QTY	Name
------	------	-----	------

Notes:

12+12 [SOLARIS 35 -> 10001 2WD] 12+12 [SOLAIRS 35 -> 10001 4WD]

1	0.008.7223.0/10	1	shaft
2	0.008.7224.0	1	gear Z = 49
3	2.1410.020.1	1	circlip 50
4	2.1423.027.7	1	circlip 37x1.5
5	2.2770.056.0	1	roller cage 32x37x17
6	2.2043.009.0	1	ball bearing 30x62x16
7	0.013.0269.0	1	gear z = 50 - z = 37
15	2.1555.311.0	1	bushing 20x23x20



W9_A4834_00_0-A-001

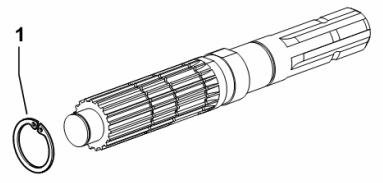
PTO PACKAGE WITHOUT GROUNDSPEED

Fig.	Code	QTY	Name
------	------	-----	------

Notes:

[SOLARIS 35 -> 10001 2WD] [SOLAIRS 35 -> 10001 4WD]

1	2.1499.034.1	1	circlip 40 x 1.75
---	--------------	---	-------------------



W9_A4836_14_0-A-001

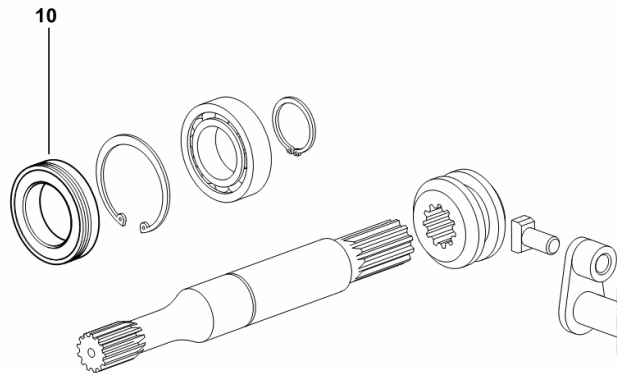
COMPLETION

Fig.	Code	QTY	Name
------	------	-----	------

Notes:

- WITH WATERPROOF SEALS [SOLARIS 35 -> 10001 2WD] - WITH WATERPROOF SEALS [SOLAIRS 35 -> 10001 4WD]

10	2.1529.106.0/10	1	'o' ring 30x55x12
----	-----------------	---	-------------------



W9_55836_09_0-A-001

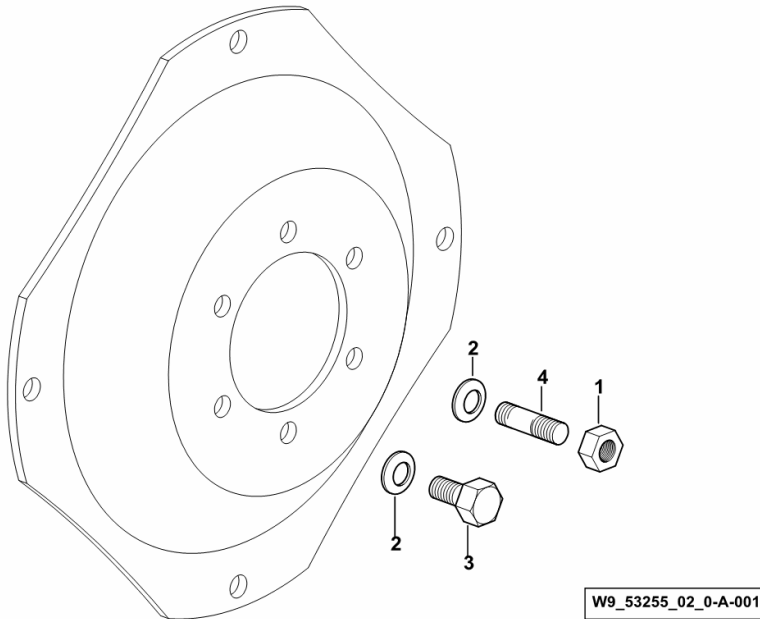
Section: S0 - WHEELS
REAR WHEEL BOLTS

Fig.	Code	QTY	Name
------	------	-----	------

Notes:

[SOLARIS 35 -> 10001 2WD] [SOLAIRS 35 -> 10001 4WD]

1	2.1011.308.6	4	nut m 14 p.1.5
2	2.1475.105.6	12	conical washer 15 x 27
3	2.0122.511.6	8	screw m 14 p.1.5x30
4	2.0439.206.6	4	stud bolt m 14 p.1.5 x 50

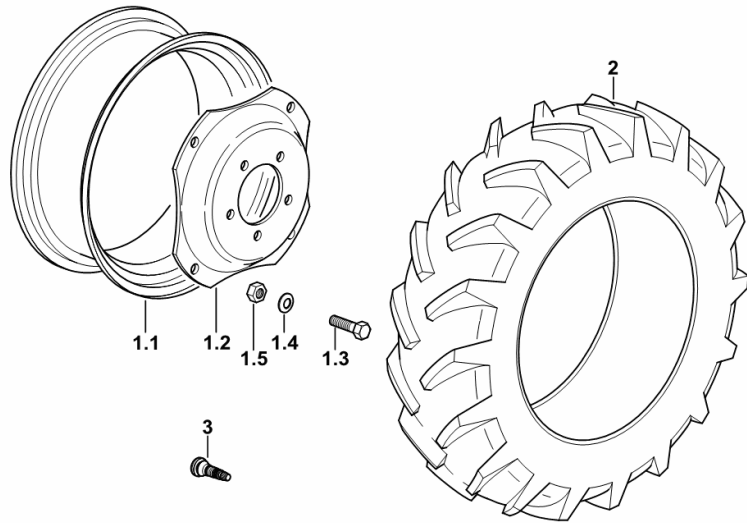


Section: S0 - WHEELS
WHEELS 6.50 R16" PR 8

Fig.	Code	QTY	Name
------	------	-----	------

Notes:
 [SOLAIRS 35 -> 10001 4WD]

1.1	0.012.2807.3	1	rim 5.50F x 16" C/BL
1.2	0.008.7636.0	1	rim center flange
1.3	2.0122.621.6	4	screw m 16 p.1.5 x 60
1.4	2.1499.019.6	4	washer 16.3 x 31.5
1.5	2.1011.309.6	4	nut m 16 p.1.5
2	2.4811.177.0	2	tyre 6.50 R16" PR 8
3	0.012.6364.0	2	valve



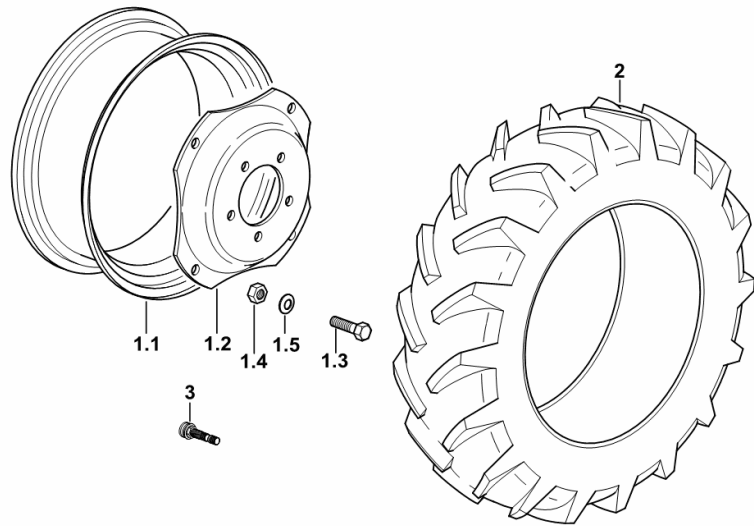
W9_A5755_21_0-A-001

Section: S0 - WHEELS
WHEELS 260/70 R16"

Fig.	Code	QTY	Name
------	------	-----	------

Notes:
 [SOLAIRS 35 -> 10001 4WD]

1.1	0.012.2804.3	1	rim W 8x16" C/BL
1.2	0.008.7636.0	1	rim center flange
1.3	2.0122.621.6	4	screw m 16 p.1.5 x 60
1.4	2.1011.309.6	4	nut m 16 p.1.5
1.5	2.1499.019.6	4	washer 16.3 x 31.5
2	2.4811.125.0	2	tyre 260/70 R16"
3	0.012.6364.0	2	valve



W9_A4855_23_0-A-001

CLICK HERE TO **DOWNLOAD** THE COMPLETE MANUAL

- Thank you very much for reading the preview of the manual.
- You can download the complete manual from: www.heydownloads.com by clicking the link below



- Please note: If there is no response to CLICKING the link, please download this PDF first and then click on it.

CLICK HERE TO **DOWNLOAD** THE COMPLETE MANUAL