

SOLARIS 35 ->20001

V0 - BALLAST, TOWING HITCHES

FRONT HITCHES

FRONT TOWING HITCH.....	V0.01.0 (1)
TOWING HOOK WITH FRONT POWER-LIFT.....	V0.01.1 (1)

REAR HITCHES

REAR GEARBOX BRACKETS.....	V0.02.0 (1)
REAR GEARBOX BRACKETS.....	V0.02.1 (1)
REAR TOWING HITCH CAT. " C ".....	V0.02.2 (1)
REAR OSCILLATING HITCH.....	V0.02.3 (1)
REAR TOWING HITCH.....	V0.02.4 (1)
REAR TOWING HITCH.....	V0.02.5 (1)
TOWING BAR.....	V0.02.6 (1)
REAR TOWING HITCH.....	0.016.5026.3.A

FRONT BALLAST WEIGHTS

FRONT BALLAST Kg 60.....	V0.03.0 (1)
FRONT BALLAST kg 100.....	V0.03.1 (1)
FRONT BALLAST FASTENERS.....	V0.03.2 (1)

WHEEL BALLAST

WHEEL BALLAST REAR.....	V0.05.0 (1)
-------------------------	-------------

CLICK HERE TO **DOWNLOAD** THE COMPLETE MANUAL

- Thank you very much for reading the preview of the manual.
- You can download the complete manual from: www.heydownloads.com by clicking the link below

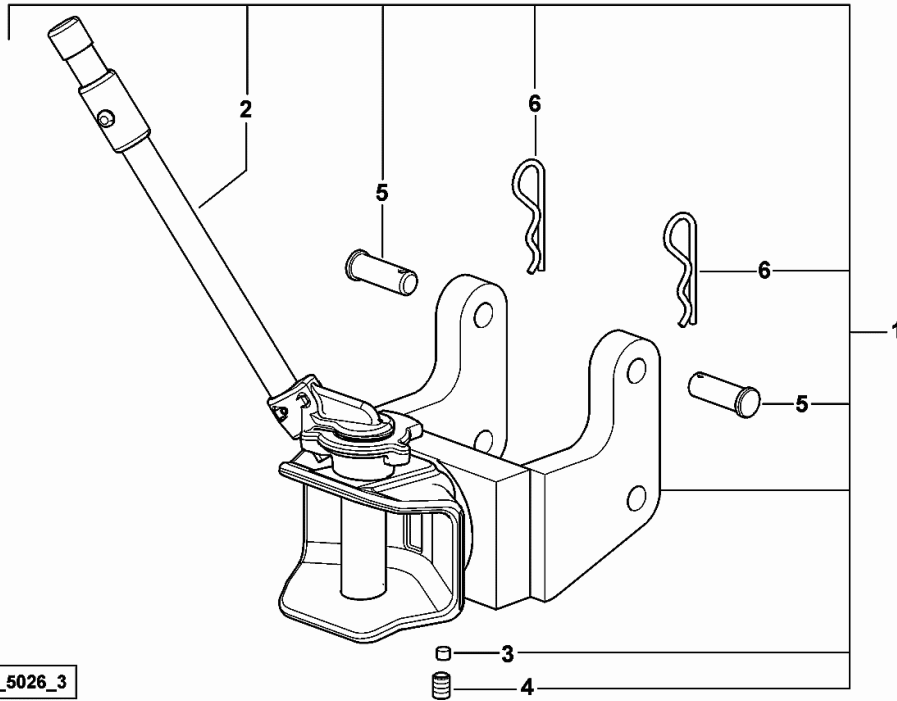


- Please note: If there is no response to CLICKING the link, please download this PDF first and then click on it.

CLICK HERE TO **DOWNLOAD** THE COMPLETE MANUAL

REAR TOWING HITCH

Fig.	Code	QTY	Name
1	0.016.5026.3	1	tow hook
2	0.900.1382.6	1	pin
3	0.900.1382.7	1	spacer
4	0.900.1177.0	1	screw m 12 x 16
5	0.900.1382.8	4	pin
6	0.900.1269.3	4	split pin



0_016_5026_3

FRONT NUMBER PLATE HOLDER.....	G0.19.5 (1)
BRACKET FOR EXTINGUISHER AND WARNING TRIANGLE SUPPORT.....	G0.19.6 (1)
WARNING TRIANGLES AND EXTINGUISHER.....	G0.19.7 (1)
WARNING TRIANGLE.....	G0.19.8 (1)
BRACKET FOR TOOL BOX.....	G0.19.9 (1)
LUBRICATOR.....	G0.19.10 (1)

SAFETY ROLL BAR

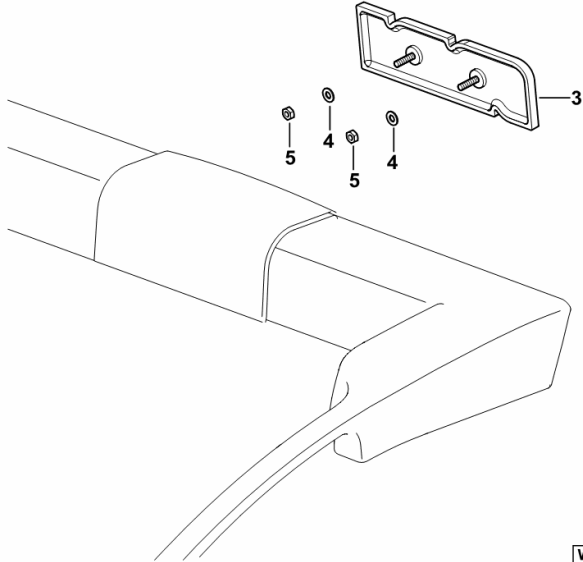
SAFETY ARCH.....	G0.20.0 (1)
SAFETY ARCH.....	G0.20.1 (1)
SAFETY ARCH.....	G0.20.1 (2)
SAFETY ARCH FOLDING.....	G0.20.2 (1)
SAFETY ARCH.....	G0.20.3 (1)
SAFETY ARCH - EXPORT U.S.A.....	G0.20.5 (1)
SAFETY ARCH.....	G0.20.6 (1)

PLATE

Fig.	Code	QTY	Name
------	------	-----	------

Notes:
 - FOR MODELS WITH PLATFORM [SOLARIS 35 ->20001 2WD] - FOR MODELS WITH PLATFORM [SOLARIS 35 ->20001 4WD]

3	0.014.5401.0	1	plate
4	2.1310.028.2	2	flat washer 4
5	2.1011.101.2	2	nut m 4 p.0.7



W9_A4872_13_0-A-001

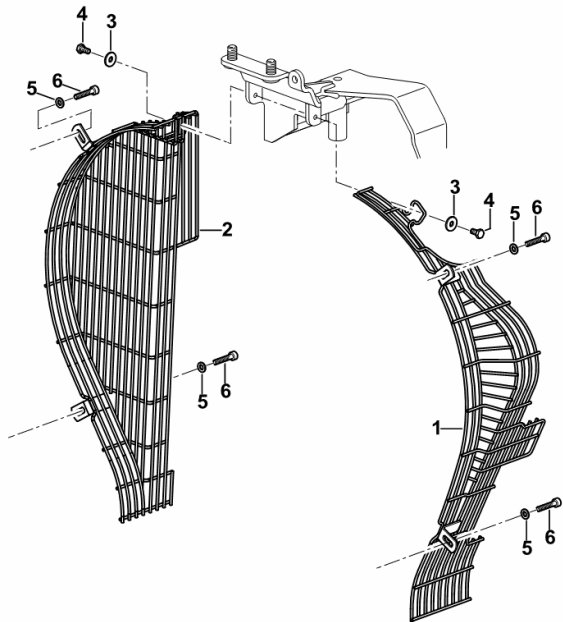
BELTS GUARD

Fig.	Code	QTY	Name
------	------	-----	------

Notes:

- FOR TYPES WITH CAB WITHOUT AIR CONDITIONING [SOLARIS 35 ->20001 2WD] - FOR MODELS WITH PLATFORM [SOLARIS 35 ->20001 2WD] - FOR TYPES WITH CAB WITHOUT AIR CONDITIONING [SOLARIS 35 ->20001 4WD] - FOR MODELS WITH PLATFORM [SOLARIS 35 ->20001 4WD]

1	0.013.2530.3/10	1	guard sx/lh/li
2	0.013.2532.3/10	1	guard dx/rh/re
3	2.1312.003.2	2	washer 6
4	2.0112.003.2	2	screw m 6 p.1 x 12
5	2.1312.002.2	4	washer 5
6	2.0312.008.2	4	screw m 5 p.0.8 x 25



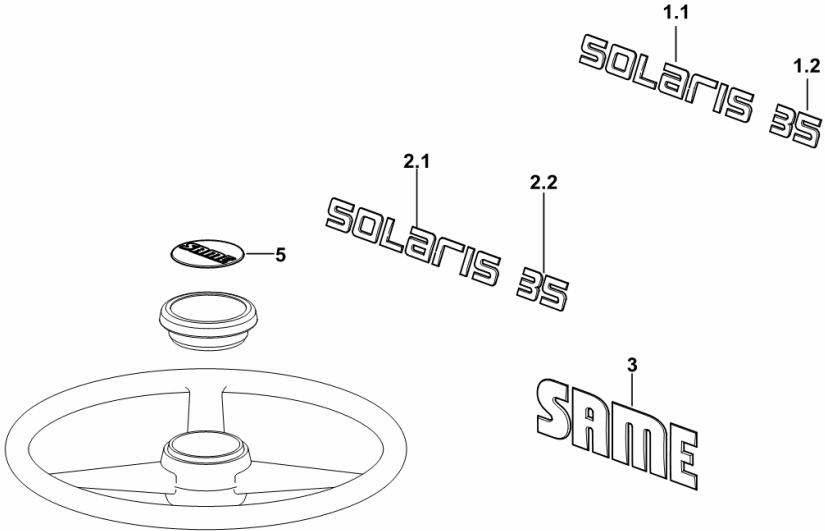
PRODUCT PLATE

Fig.	Code	QTY	Name
------	------	-----	------

Notes:

[SOLARIS 35 ->20001 2WD] [SOLARIS 35 ->20001 4WD]

1.1	0.014.4365.0	1	plate
1.2	0.014.8866.0	1	plate
2.1	0.014.4365.0	1	plate
2.2	0.014.8866.0	1	plate
3	0.014.4296.2	1	plate SAME
5	0.014.4292.0	1	plate SAME



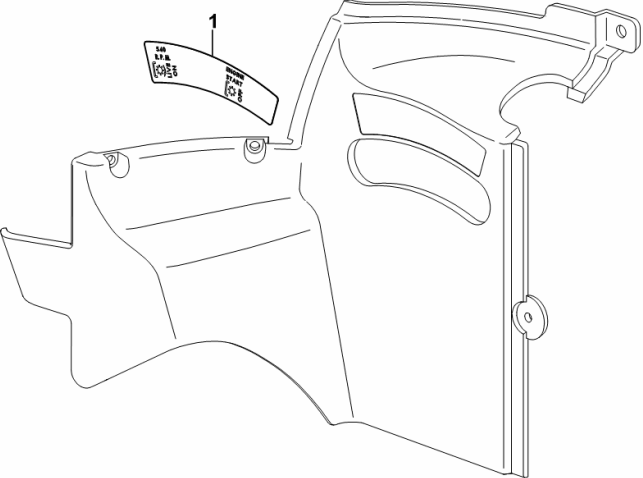
W9_H3672_05_0-A-002

PTO DATA PLATE

Fig.	Code	QTY	Name
------	------	-----	------

Notes:
 - 540 [SOLARIS 35 ->20001 2WD] - 540 [SOLARIS 35 ->20001 4WD]

1	0.014.4625.0	1	adhesive P.T.O.
---	--------------	---	-----------------



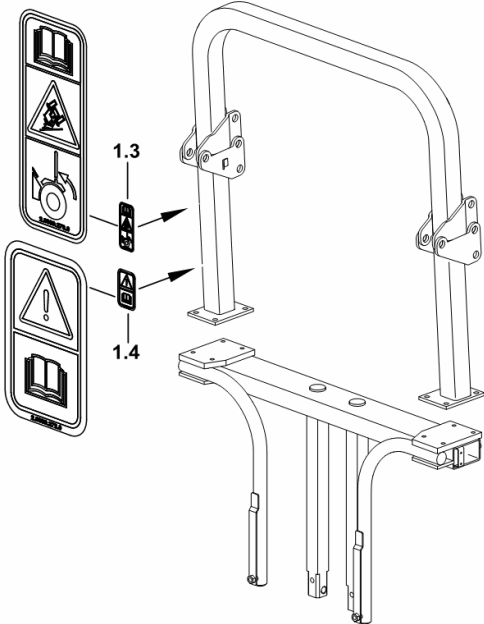
W9_A4974_02_0-A-001

PLATES

Fig.	Code	QTY	Name
------	------	-----	------

Notes:
 - WITH FOLD-DOWN ROPS [SOLARIS 35 ->20001 2WD] - WITH FOLD-DOWN ROPS [SOLARIS 35 ->20001 4WD]

1.3	2.9939.276.0	1	plate
1.4	2.9939.272.0	1	plate



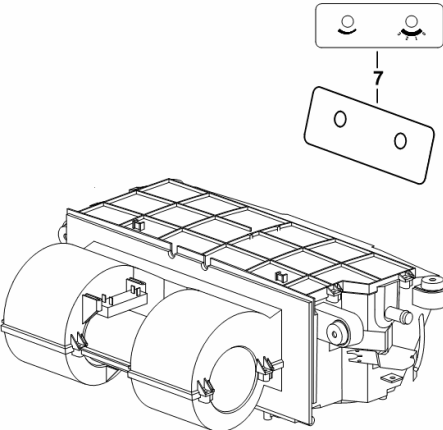
W9_A4878_10_0-B-002

HEATER DATA PLATE

Fig.	Code	QTY	Name
------	------	-----	------

Notes:
[SOLARIS 35 ->20001 2WD] [SOLARIS 35 ->20001 4WD]

7	0.014.9256.0/10	1	plate
---	-----------------	---	-------



W9_H3786_12_0-B-001

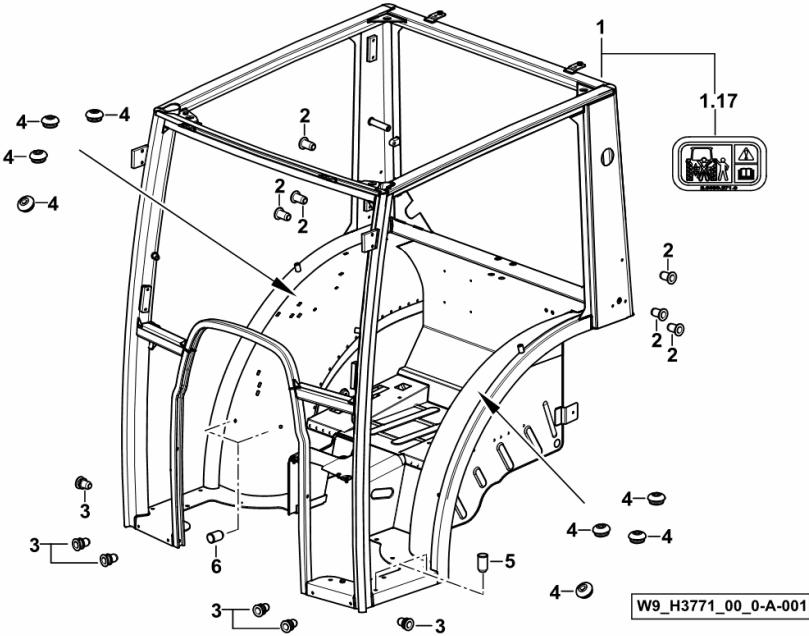
CAB

Fig.	Code	QTY	Name
------	------	-----	------

Notes:

[SOLARIS 35 ->20001 2WD] [SOLARIS 35 ->20001 4WD]

1	0.014.2298.3/70	1	cab
1.17	2.9939.271.0	1	plate
2	2.1140.011.2	8	insert M5x13
3	2.1140.012.2	6	nut M5x16
4	2.3199.328.0	8	plug
5	2.1142.010.2	4	insert m 6
6	2.1142.004.2	4	insert m 6



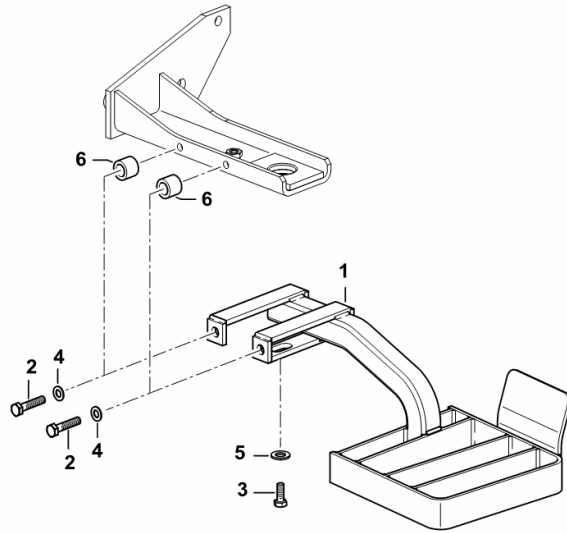
LADDER

Fig.	Code	QTY	Name
------	------	-----	------

Notes:

[SOLARIS 35 ->20001 2WD] [SOLARIS 35 ->20001 4WD]

1	0.012.5061.2/10	1	climbing steps (-> 20016)
2	2.0112.215.2	2	screw m 8 p.1.25 x 40
3	2.0112.209.2	1	screw m 8 p 1.25 x 25 (-> 20016)
4	2.1475.002.2	2	conical washer 8 (-> 20016)
5	2.1312.004.3	1	washer 8,4x24x2
6	2.1549.505.0/10	2	spacer



W9_A4876_06_0-A-001

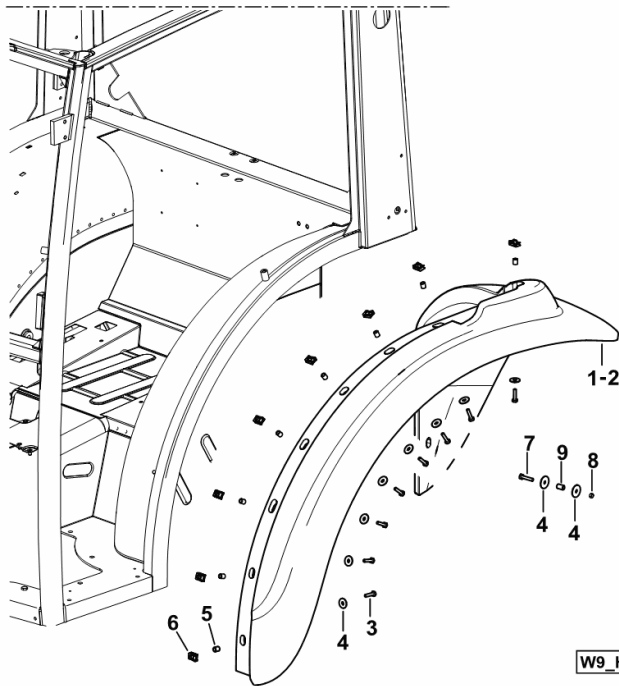
REAR MUDGUARDS

Fig.	Code	QTY	Name
------	------	-----	------

Notes:

[SOLARIS 35 ->20001 2WD] [SOLARIS 35 ->20001 4WD]

1	0.015.0589.0/10	1	fender dx/rh/re
2	0.015.0590.0/10	1	fender sx/lh/li
3	2.0112.009.2	16	screw m 6 p.1 x 25
4	2.1599.545.2	20	washer 6.5x28x2
5	2.1549.368.2	16	spacer
6	2.6999.064.6	16	special nut m 6
7	2.0112.011.2	2	screw m 6 p.1x30
8	2.1011.103.2	2	nut m 6 p.1
9	2.1699.191.0	2	sleeve 7x10x16

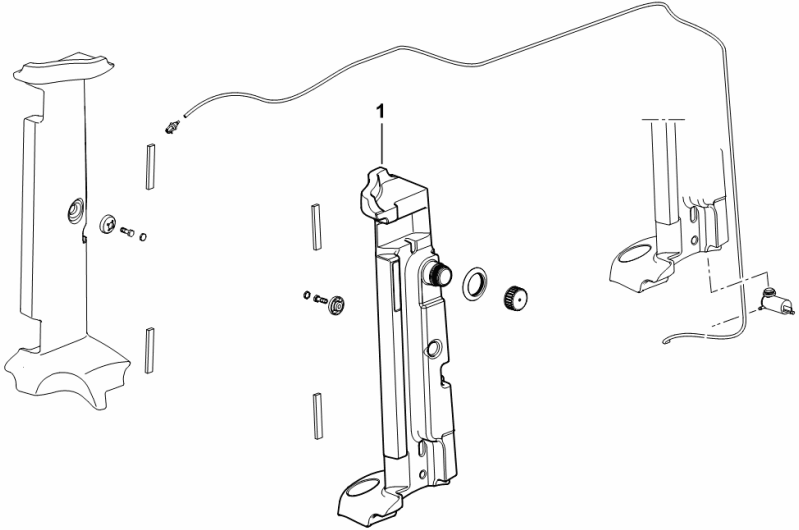


WATER TANK

Fig.	Code	QTY	Name
------	------	-----	------

Notes:
 - FOR TYPES WITHOUT REAR WINDSCREEN WIPERS [SOLARIS 35 ->20001 2WD] - FOR TYPES WITHOUT REAR WINDSCREEN WIPERS [SOLARIS 35 ->20001 4WD]

1	0.015.2268.0	1	tank
---	--------------	---	------



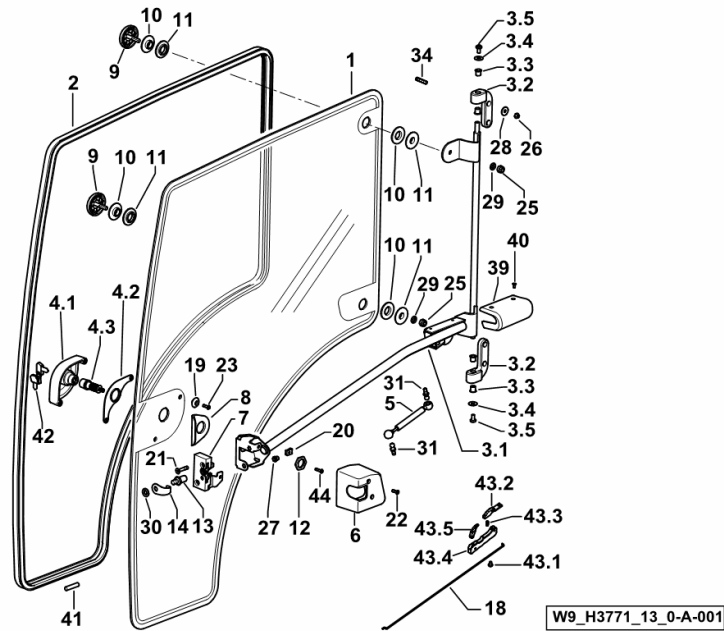
W9_H3971_22_0-A-001

CAB DOOR dx/rh/re

Fig.	Code	QTY	Name
------	------	-----	------

Notes:

[SOLARIS 35 ->20001 2WD] [SOLARIS 35 ->20001 4WD]



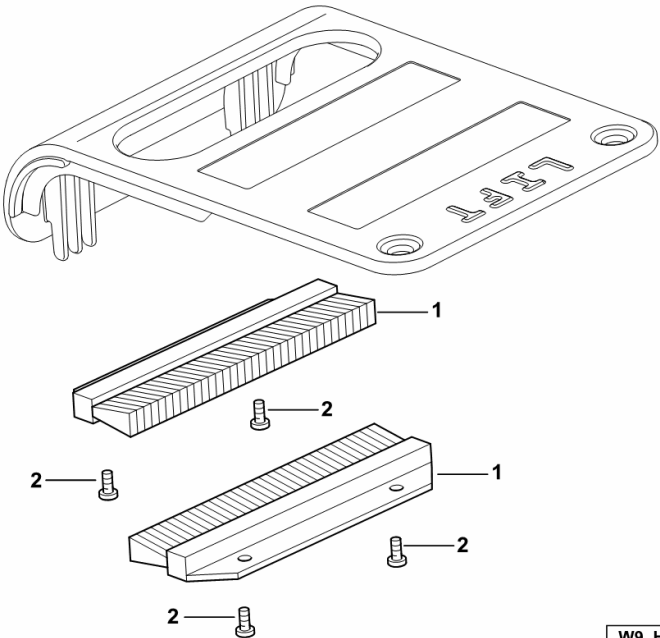
1	0.014.2297.0/10	1	door dx/rh/re
2	0.014.0992.0/10	4.36	gasket
3.1	0.014.3091.3/30	1	handle
3.2	0.014.2449.0	2	support
3.3	2.2841.043.0	4	bushing 12 x 14 x 15
3.4	2.1312.004.2	2	washer 8.4
3.5	2.0330.506.2	2	screw m 8 x 16
4.1	0.014.2438.3	1	handle
4.2	0.014.2440.0	1	gasket
4.3	0.012.8679.0	1	push-button
5	0.014.5653.4/10	1	shoch.absorber
6	0.014.3090.0/30	1	cover dx/rh/re
7	0.012.7012.4	1	lock
8	0.012.8680.0/10	1	gasket
9	0.012.6601.2	2	plug
10	0.012.6604.0	4	washer
11	0.012.6602.0	4	washer
12	04416537	1	nut m 28 x 1
13	0.012.8716.0	1	pin
14	0.012.8678.0	1	bracket
18	0.014.2469.0/20	1	cable
19	0.014.2551.0	2	washer
20	2.6999.064.6	2	special nut m 6
21	2.0342.310.3	2	screw m 8 p.1.25 x 40
22	2.0342.205.3	2	screw m 6 p.1 x 20
23	2.0332.407.3	2	screw m 6 x 20
25	2.1120.006.2	2	nut m 10 p.1.5
26	2.1121.005.2	4	nut m 8 p.1.25
27	0.012.9034.0	2	insert m 8
28	2.1579.837.2	4	spacer 8 x 25 x 3
29	2.1310.006.2	2	flat washer 10.5
30	2.1310.007.2	1	flat washer 13.5
31	2.1699.281.2/10	2	joint
34	2.0439.291.2	4	stud bolt
39	0.014.9101.0/10	1	cover dx/rh/re
40	2.0342.102.3	2	screw m 5 x 12
41	04418372	1	sealing section
42	04418435	1	key
43.1	2.0332.403.3	1	screw m 6 p.1 x 10
43.2	0.014.2463.0	1	hinge
43.3	2.4019.801.2	1	spring 4.2x0.9x18

BRUSHES FOR TUNNEL COVER

Fig.	Code	QTY	Name
------	------	-----	------

Notes:
[SOLARIS 35 ->20001 4WD]

1	0.013.4316.0/10	2	guard
2	2.0350.102.3	4	screw 2.9x6.5



W9_H3676_02_0-A-001

Section: G0 - BODYWORK - CAB
CONTROL CONSOLE RIGHT

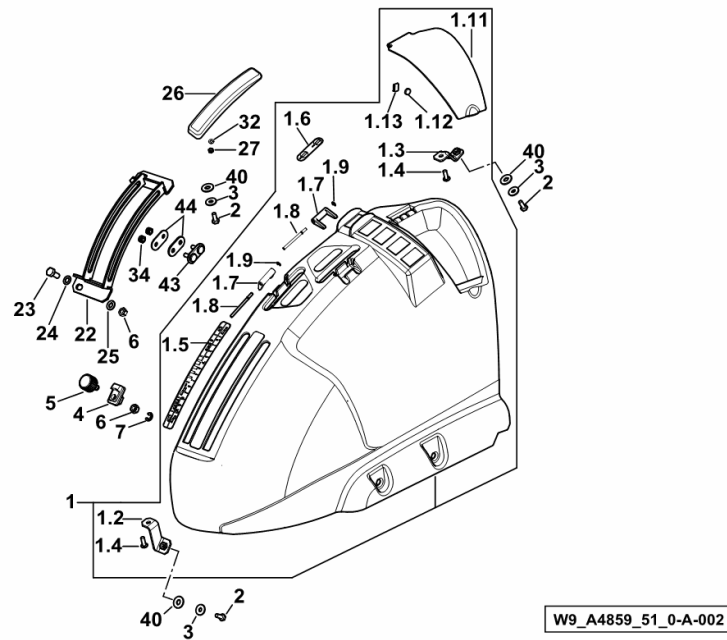


Fig.	Code	QTY	Name
------	------	-----	------

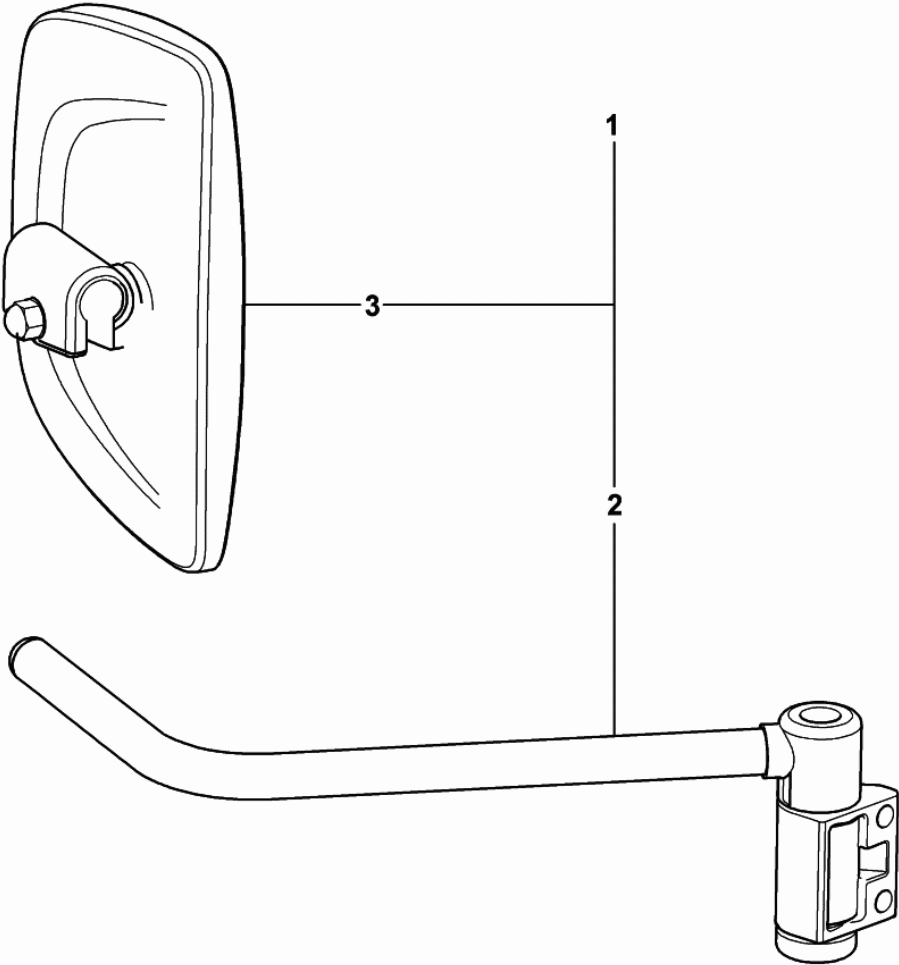
Notes:

- FOR MODELS WITHOUT CAB [SOLARIS 35 ->20001 2WD] - FOR MODELS WITHOUT CAB [SOLARIS 35 ->20001 4WD]

1	0.014.1586.3/10	1	consolle dx/rh/re
1.2	0.013.2882.3	1	square
1.3	0.013.2883.3	1	square
1.4	2.0332.406.2	2	screw m 6 p.1.0 x 16
1.5	0.013.2955.0	1	plate
1.6	0.013.3506.0	1	plate
1.7	0.013.5476.0	2	fork
1.8	0.013.5437.0	2	pin
1.9	2.1430.004.7	2	circlip 3.2
1.11	0.014.3881.0	1	guard
1.12	0.014.3882.0	1	magneto
1.13	0.014.3883.0	1	small spring
2	2.0112.004.2	3	screw m 6 p.1 x 14
3	2.1312.003.2	3	washer 6
4	0.009.0136.0	2	slider
5	0.009.0133.3/10	2	knob
6	2.1011.105.2	4	nut m 8 p.1.25
7	2.1430.008.7	8	circlip 7
22	0.013.3770.2/10	1	sector
23	2.0112.205.2	2	screw m 8 p.1.25 x 16
24	2.1310.004.2	4	flat washer 8.5
25	2.1470.004.2	2	washer 8
26	0.013.3771.2	1	guide
27	2.1011.101.2	2	nut m 4 p.0.7
32	2.1310.028.2	2	flat washer 4
34	2.1120.103.2	4	nut m 6
40	2.1599.847.0	3	washer 8.5x20x1
43	0.012.4979.3	2	bracket
44	0.012.5000.0	4	friction ring

REARVIEW MIRROR

Fig.	Code	QTY	Name
1	0.014.4216.2	1	rear view mirror dx/rh/re
2	0.900.0520.0	1	rod
3	0.900.0519.8	1	rear view mirror



0_014_4216_2

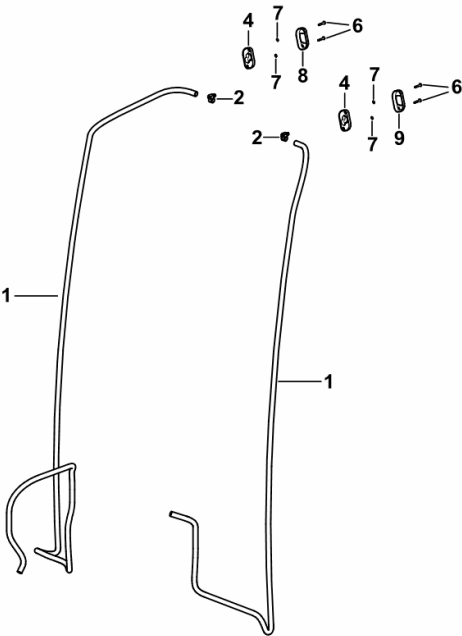
HEATING - PIPES

Fig.	Code	QTY	Name
------	------	-----	------

Notes:

[SOLARIS 35 ->20001 2WD] [SOLARIS 35 ->20001 4WD]

1	0.011.0466.0	5.8	tube Ø mm 16x10
2	2.6851.019.0	2	clamp Ø 13/20
4	0.014.7289.0	2	lamination
6	2.0112.009.2	4	screw m 6 p.1 x 25
7	2.1470.002.2	4	washer 6, d128
8	0.014.8577.0	1	wire guide
9	0.014.8578.0	1	wire guide



W9_H3786_11_0-A-001

HEATER PARTS

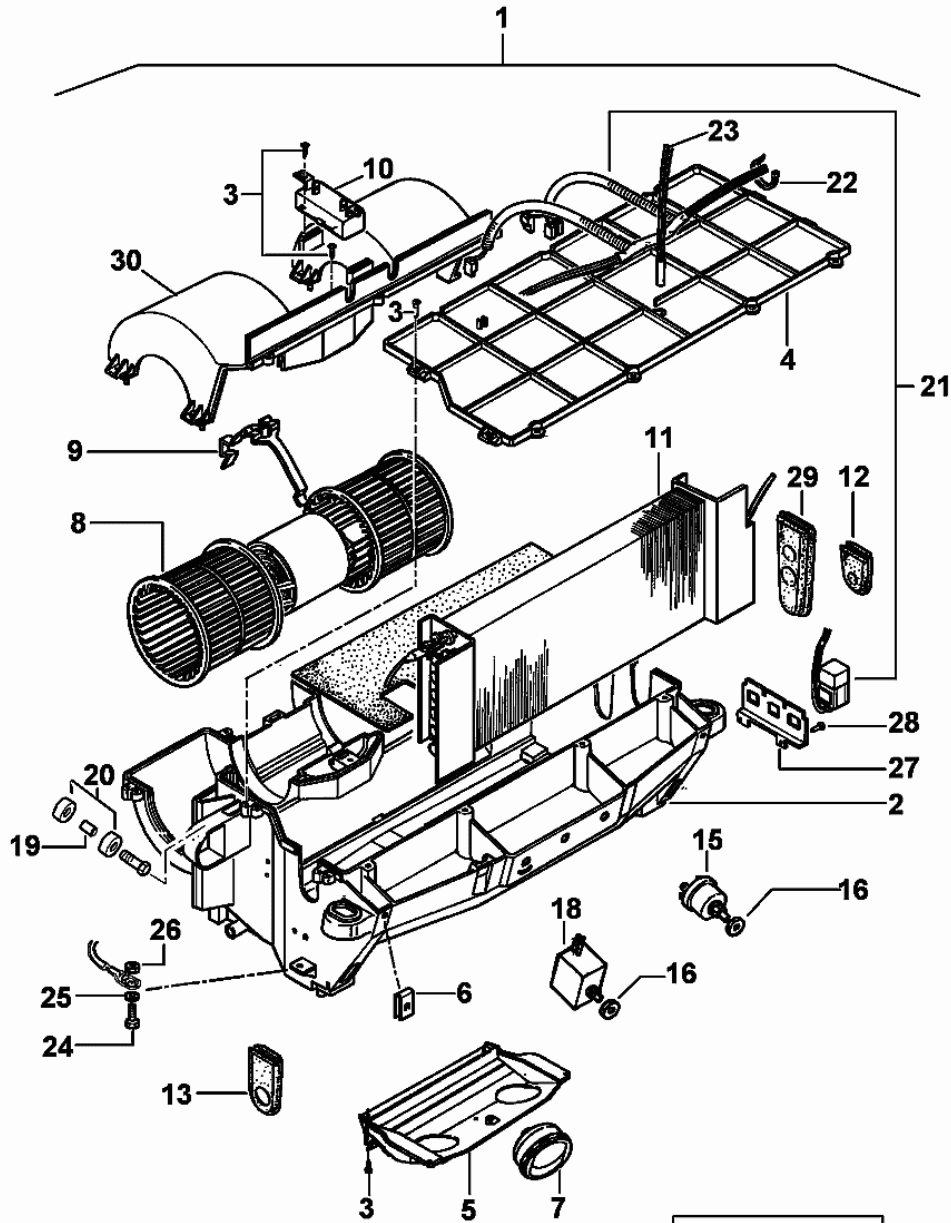


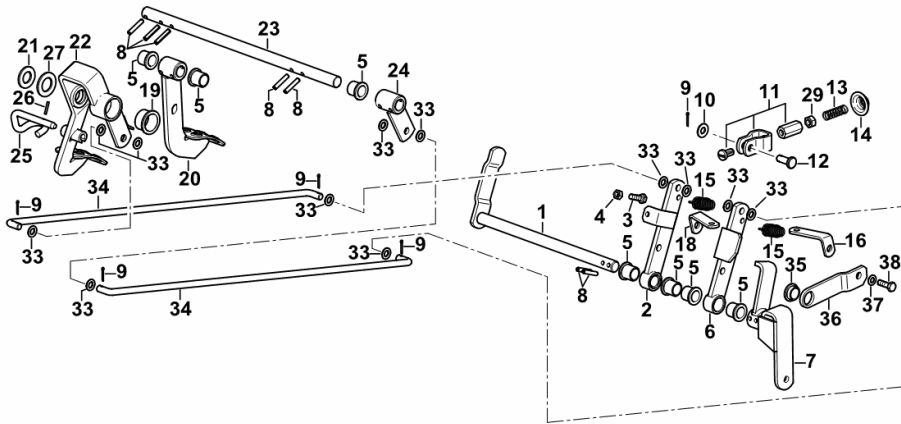
Fig.	Code	QTY	Name
1	0.014.8846.4/10	1	cab heating
3	0.900.0944.6	20	screw 4 x 12
7	0.010.2148.1	1	regulator
9	0.900.0512.8	2	nut m 11
10	0.010.2148.0	1	bushing
12	0.009.4743.1	1	switch
13	0.900.0060.0	6	clamp 25x16
14	0.900.0060.1	1	screw m 6x14
15	0.010.2152.2	1	gasket
16	0.010.2120.2	2	small spring
17	0.010.2150.0	1	rod
18	0.010.2149.2	1	brace
19	0.010.2148.2	1	washer 6x12
20	0.900.0513.1	1	nut m 6
21	0.010.2149.1	1	small block
22	0.900.0946.2	1	washer 4x7
24	0.010.2151.1	1	cock or tap
25	0.010.2151.0	1	bracket
26	0.010.2153.1	1	box
28	0.010.2147.2	1	electrical system
29	0.010.2147.1	1	pipe fitting
30	0.900.0060.7	1	sleeve
31	0.98538.71.1	4	spacer
32	0.98707.79.1	8	rubber plug
33	0.010.2153.0	1	radiator
35	0.010.2152.1	1	gasket
36	0.010.2126.1	1	gasket
37	0.010.2121.1	1	fan
38	0.010.2121.2	1	spring
50	0.010.2119.0	1	box
51	0.010.2120.0	1	knob
53	0.010.2122.0	1	resistance
55	0.900.0060.6	2	clamp 2.6X103
56	0.010.2152.0	1	tube

BRAKE CONTROLS

Fig.	Code	QTY	Name
------	------	-----	------

Notes:

[SOLARIS 35 ->20001 2WD] [SOLARIS 35 ->20001 4WD]



W9_A4866_01_0-A-001

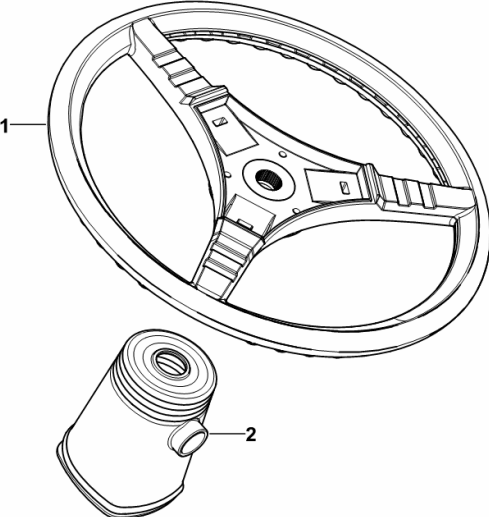
1	0.008.6432.3	1	lever
2	0.008.6442.3	1	lever
3	2.0112.209.2	1	screw m 8 p 1.25 x 25
4	2.1011.105.2	1	nut m 8 p.1.25
5	2.1559.278.0/10	7	bushing 18x22x21
6	0.008.6434.3/10	1	lever
7	0.012.4943.3	1	lever
8	2.1630.613.0	7	roll pin 6 x 30
9	2.1690.308.2	6	split pin 3.2 x 20
10	2.1310.006.2	6	flat washer 10.5
11	0.008.6435.3	2	rod
12	2.1671.407.2	2	pin 10 x 28
13	2.4019.469.2	2	spring
14	0.008.6405.0/10	2	cup
15	2.4049.155.2	2	spring 19.4x59x2.2
16	0.008.6409.0/10	1	square sx/lh/li
18	0.008.6455.0/10	1	square dx/rh/re
19	2.1559.279.0	1	bushing
20	0.013.4508.3	1	pedal sx/lh/li
21	2.1310.011.2	1	flat washer 19x34
22	0.013.2964.3/10	1	pedal dx/rh/re
23	0.013.2973.0/10	1	pin
24	0.013.2975.2/20	1	lever
25	0.013.4509.0	1	latch
26	2.1630.210.9	1	pin 3 x 20
27	2.1310.014.2	1	flat washer 23x39
29	2.1011.106.2	2	nut m 10 p.1.5
33	2.1311.007.2	12	flat washer 10
34	0.013.2915.0/20	2	rod
35	2.1559.447.0	1	sleeve
36	0.012.4942.0	1	support
37	2.1475.002.2	1	conical washer 8
38	2.0112.209.2	1	screw m 8 p 1.25 x 25

STEERING WHEEL

Fig.	Code	QTY	Name
------	------	-----	------

Notes:
- FOR MODELS WITH CAB [SOLARIS 35 ->20001 2WD] - FOR MODELS WITH CAB [SOLARIS 35 ->20001 4WD]

1	0.007.2874.2/30	1	steering wheel
2	0.014.8327.0	1	boot



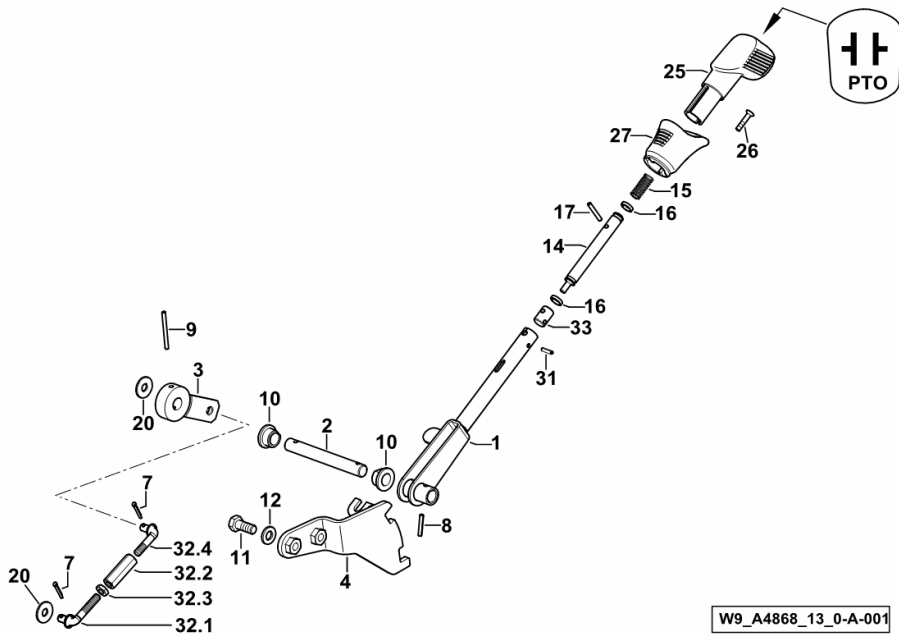
W9_H3761_02_0-A-001

INDEPENDENT CLUTCH CONTROL FOR P.T.O.

Fig.	Code	QTY	Name
------	------	-----	------

Notes:

[SOLARIS 35 ->20001 2WD] [SOLARIS 35 ->20001 4WD]



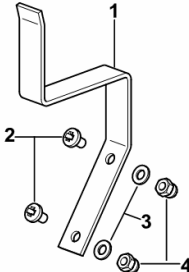
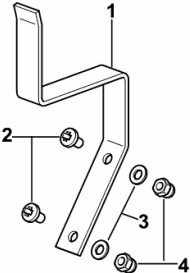
1	0.013.3355.3/60	1	lever
2	0.013.3346.0	1	small shaft
3	0.013.3336.3/10	1	lever
4	0.013.3335.3/30	1	ratchet
7	2.1690.306.2	2	split pin 3.2 x 16
8	2.1631.411.0	1	pin 5x24
9	2.1631.418.0	1	pin 5 x 45
10	2.1559.277.0	2	bushing 14.1x20x10
11	2.0112.309.2	2	screw m 10 p.1.5 x 25
12	2.1475.203.2	2	spring washer 10
14	0.013.7543.0	1	ferrule
15	2.4019.631.2	1	spring
16	2.1539.232.0	2	ring
17	2.1630.452.2	1	pin 4 x 30
20	2.1312.004.2	2	washer 8.4
25	0.013.3148.3/60	1	knob
26	2.0342.107.3	1	screw m 5 p.0.8 x 25
27	0.013.2968.0/20	1	knob
31	2.1631.307.0	1	roll pin 4x16
32.1	0.013.3402.3/10	1	rod
32.2	2.1099.139.2/10	1	nut m 8
32.3	2.1011.205.2	1	nut m 8 p.1.25
32.4	0.013.2995.3/10	1	rod
33	0.014.9316.0	1	sleeve

TRIANGLE SUPPORT

Fig.	Code	QTY	Name
------	------	-----	------

Notes:
 [SOLARIS 35 ->20001 2WD] [SOLARIS 35 ->20001 4WD]

1	0.014.0044.0	2	support
2	2.0332.403.2	4	screw m 6 p.1 x 10
3	2.1310.002.2	4	washer 6.6, d125
4	2.1030.001.7	4	nut m 6



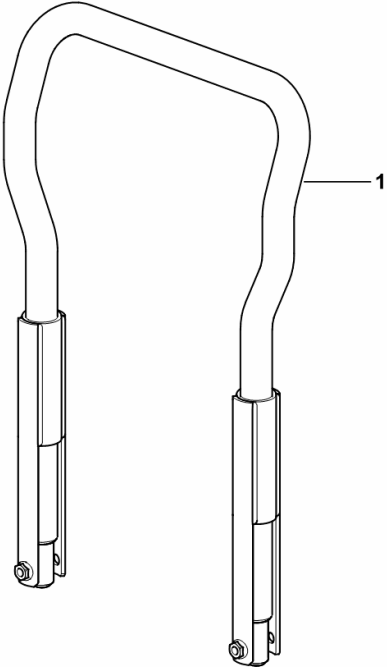
W9_A4873_08_0-A-001

SAFETY ARCH

Fig.	Code	QTY	Name
------	------	-----	------

Notes:
- REAR [SOLARIS 35 ->20001 2WD] - REAR [SOLARIS 35 ->20001 4WD]

1	0.013.9017.3	1	safety frame
---	--------------	---	--------------



W9_A5676_08_0-A-001

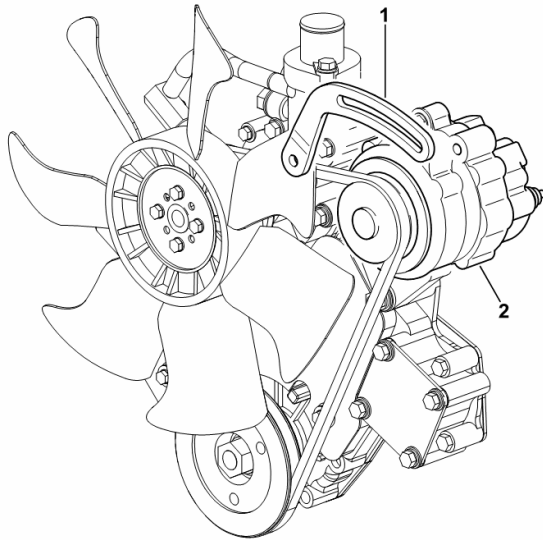
ALTERNATOR

Fig.	Code	QTY	Name
------	------	-----	------

Notes:

- FOR MODELS WITH CAB [SOLARIS 35 ->20001 2WD] - FOR MODELS WITH CAB [SOLARIS 35 ->20001 4WD]

1	0.014.3522.0/10	1	bracket
2	0.900.0517.3	1	alternator 75 A



W9_M8617_04_0-A-001

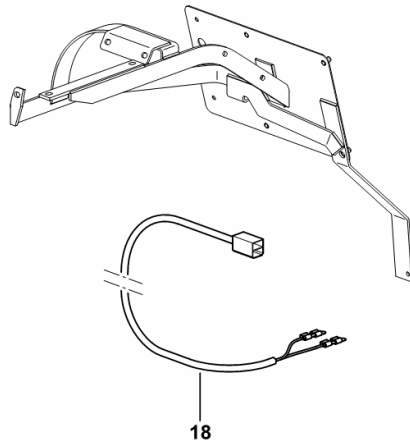
CABLE HARNESS LICENCE PLATE LIGHT

Fig.	Code	QTY	Name
------	------	-----	------

Notes:

- WITH TYRES 24" [SOLARIS 35 ->20001 2WD] - WITH TYRES 24" [SOLARIS 35 ->20001 4WD]

18	0.007.6724.3/20	1	wire
----	-----------------	---	------



W9_55876_65_0-B-001

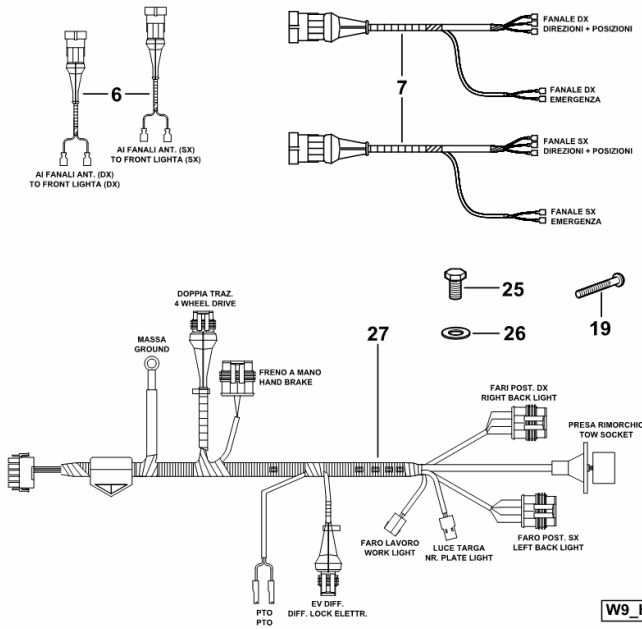
Section: L0 - ELECTRIC AL SYSTEM
ELECTRICAL EQUIPMENT REAR

Fig.	Code	QTY	Name
------	------	-----	------

Notes:

- EXPORT U.S.A. [SOLARIS 35 ->20001 2WD] - EXPORT U.S.A. [SOLARIS 35 ->20001 4WD]

6	0.014.9325.4	1	wire
7	0.014.9326.4/10	1	wire
19	2.0312.015.2	3	screw m 5 p.0.8x45
25	2.0112.205.2	1	screw m 8 p.1.25 x 16
26	2.1310.006.2	1	flat washer 10.5
27	0.012.6954.4	1	electrical system



W9_H3885_00_0-A-001

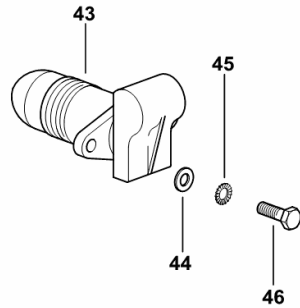
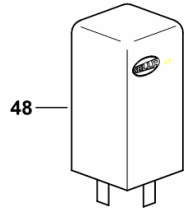
2-POLE SOCKET - LIGHTS FLASHER RELAY

Fig.	Code	QTY	Name
------	------	-----	------

Notes:

- EXPORT U.S.A. [SOLARIS 35 ->20001 2WD] - EXPORT U.S.A. [SOLARIS 35 ->20001 4WD]

43	2.6032.011.0	1	socket ☞ 2.6032.011.0
44	2.1310.001.2	2	flat washer 5.3
45	2.1470.001.2	2	lock washer 5
46	2.0332.306.2	2	screw m 5x0.8x16
48	2.8639.010.0	1	blinker



W9_H3884_00_0-C-001

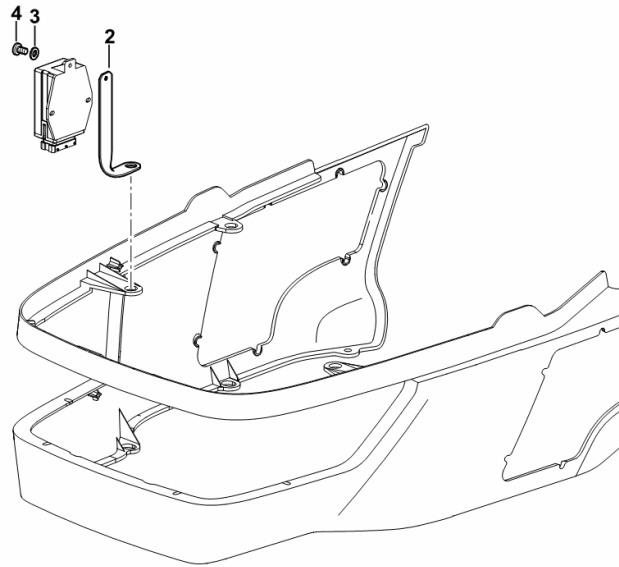
FAN CONTROL UNIT SUPPORT

Fig.	Code	QTY	Name
------	------	-----	------

Notes:

- FOR MODELS WITH CAB [SOLARIS 35 ->20001 2WD] - FOR MODELS WITH CAB [SOLARIS 35 ->20001 4WD]

2	0.015.0128.0	1	bracket
3	2.1310.002.2	1	washer 6.6, d125
4	2.0332.403.2	1	screw m 6 p.1 x 10



W9_M8617_03_0-A-002

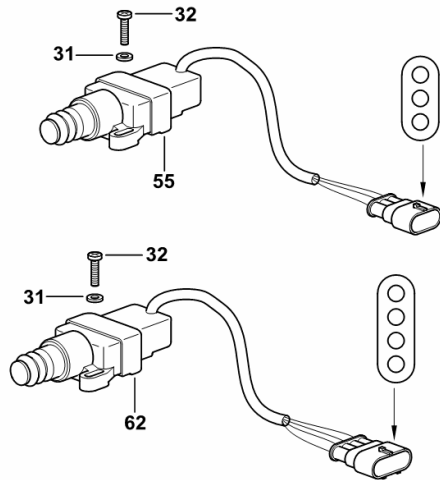
SEALED SWITCHES

Fig.	Code	QTY	Name
------	------	-----	------

Notes:

- EXPORT U.S.A. [SOLARIS 35 ->20001 2WD] - EXPORT U.S.A. [SOLARIS 35 ->20001 4WD]

31	2.1310.028.2	6	flat washer 4
32	2.0332.206.2	6	screw M4x0,7X16
55	2.7659.096.0/10	1	switch
62	2.7659.202.0	2	switch



W9_H3884_00_0-D-001

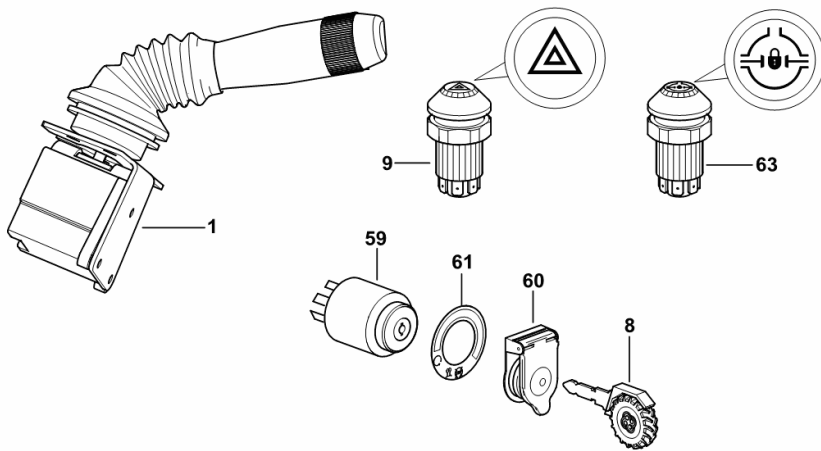
**KEYSWITCH BLOCK - STEERING COLUMN SWITCH UNIT - INSTRUMENT PANEL
BUTTONS**

Fig.	Code	QTY	Name
------	------	-----	------

Notes:

[SOLARIS 35 ->20001 2WD] [SOLARIS 35 ->20001 4WD]

1	0.013.3337.3	1	device
8	2.7439.017.0/10	2	key
9	2.7659.110.0	1	push-button
59	2.7659.127.0	1	switch
60	0.009.7140.2/10	1	small cover
61	0.010.0492.0/20	1	plate
63	0.007.5944.0/20	1	push-button



W9_A4884_00_0-B-001

CLICK HERE TO **DOWNLOAD** THE COMPLETE MANUAL

- Thank you very much for reading the preview of the manual.
- You can download the complete manual from: www.heydownloads.com by clicking the link below



- Please note: If there is no response to CLICKING the link, please download this PDF first and then click on it.

CLICK HERE TO **DOWNLOAD** THE COMPLETE MANUAL

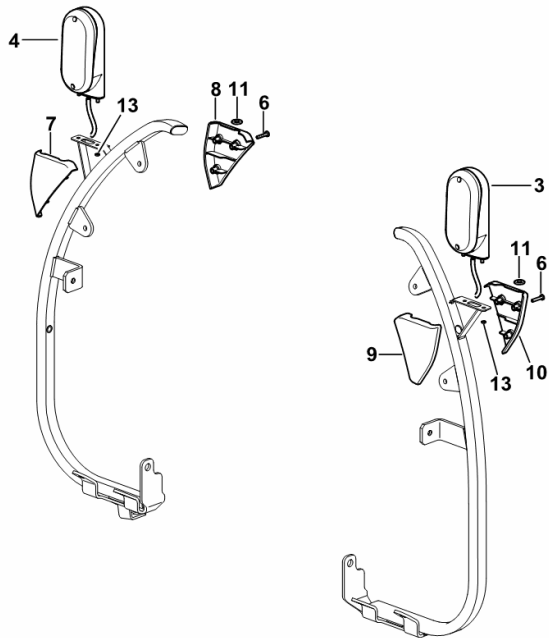
SIDE LIGHTS

Fig.	Code	QTY	Name
------	------	-----	------

Notes:

[SOLARIS 35 ->20001 2WD] [SOLARIS 35 ->20001 4WD]

3	2.8039.294.0/10	1	lamp sx/lh/li ☞ 2.8039.294.0/10
4	2.8039.293.0/10	1	lamp dx/rh/re ☞ 2.8039.293.0/10
6	2.0332.308.2	6	screw m 5 p.0.8 x 25
7	0.013.9064.4	1	cover dx/rh/re
8	0.013.9059.0	1	cover dx/rh/re
9	0.013.8479.4	1	cover sx/lh/li
10	0.013.8451.0	1	cover sx/lh/li
11	0.013.8482.0	4	spacer
13	2.1011.202.2	4	nut m 5 p.0.8



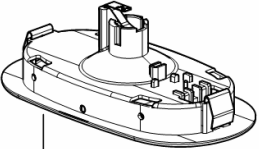
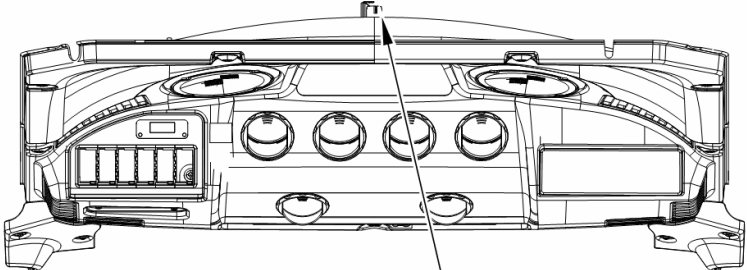
W9_A4885_01_0-A-001

COURTESY LIGHT

Fig.	Code	QTY	Name
------	------	-----	------

Notes:
 [SOLARIS 35 ->20001 2WD] [SOLARIS 35 ->20001 4WD]

19	2.8339.231.0	1	interior light  2.8339.231.0
----	--------------	---	--

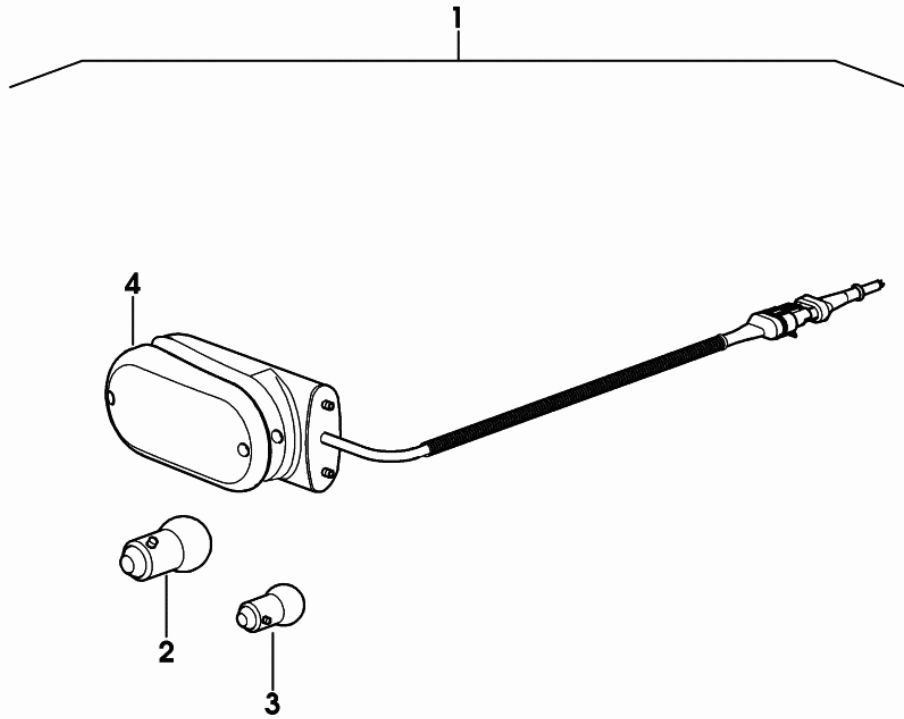


19

W9_H3771_24_0-C-001

FRONT LIGHTS dx/rh/re

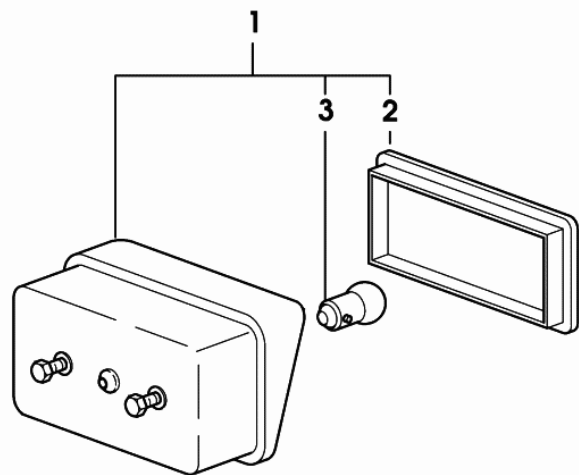
Fig.	Code	QTY	Name
1	2.8039.293.0/10	1	lamp dx/rh/re
2	0.900.0050.1	1	lamp 12V 21W
3	0.900.0049.6	1	lamp 12 V, 5 W
4	0.900.0050.2	1	glass



2_8039_293_0_10

HEADLAMP COMPONENTS

Fig.	Code	QTY	Name
1	2.8059.450.0	1	lamp
2	0.010.3487.1	1	guard
3	0.010.3487.2	1	lamp 12V - 5W



2_8059_450_0

Section: B0 - ENGINE
CYLINDER HEAD

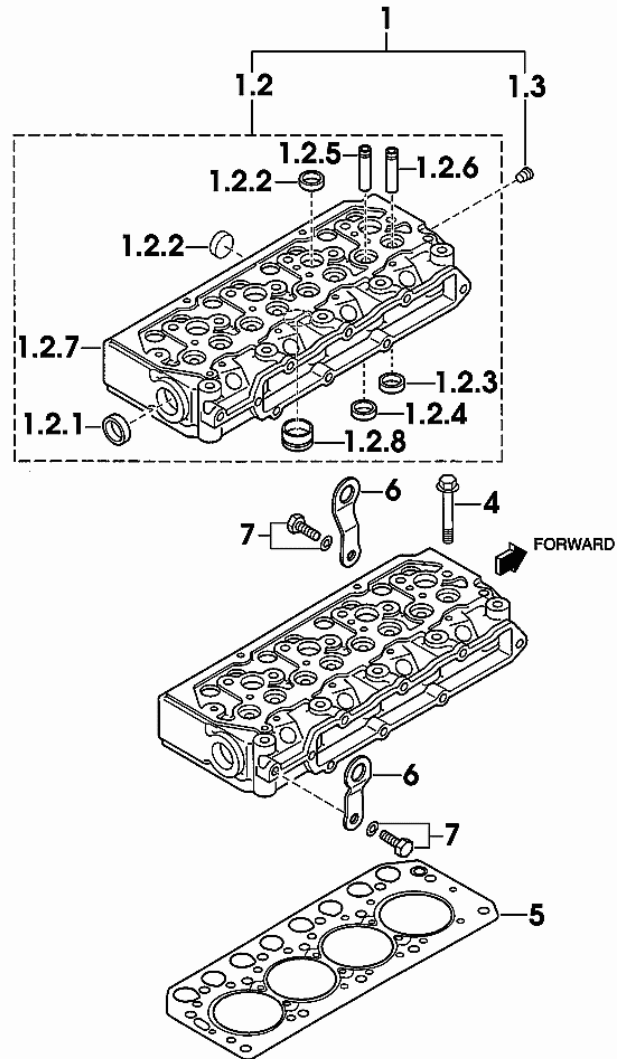


Fig.	Code	QTY	Name
1	0.010.3948.1	1	engine head
1.2	0.000.0000.1	0	not serviceable
1.2.1	0.010.2634.1	1	plug
1.2.2	0.009.4527.0	7	plug
1.2.3	0.000.0000.1	0	not serviceable
1.2.4	0.000.0000.1	0	not serviceable
1.2.5	0.010.2634.2	4	valve guide
1.2.6	0.010.2635.0	4	valve guide
1.2.7	0.000.0000.1	0	not serviceable
1.2.8	0.010.2637.1	4	bushing
1.3	0.009.4545.1	1	plug
4	0.010.2633.1	14	screw
5	0.010.2635.2	1	gasket
6	0.009.4541.2	2	bracket
7	0.010.2633.0	2	screw

01011-001E 35CV

Section: B0 - ENGINE

CRANKSHAFT - FLYWHEEL

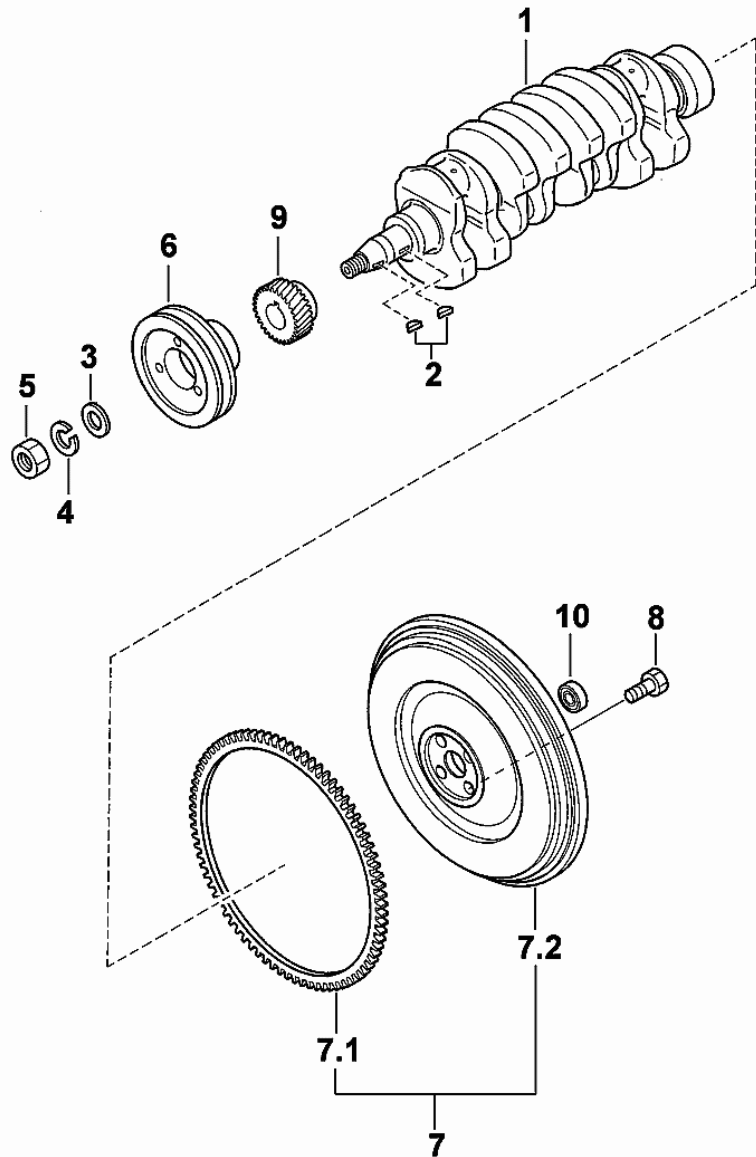


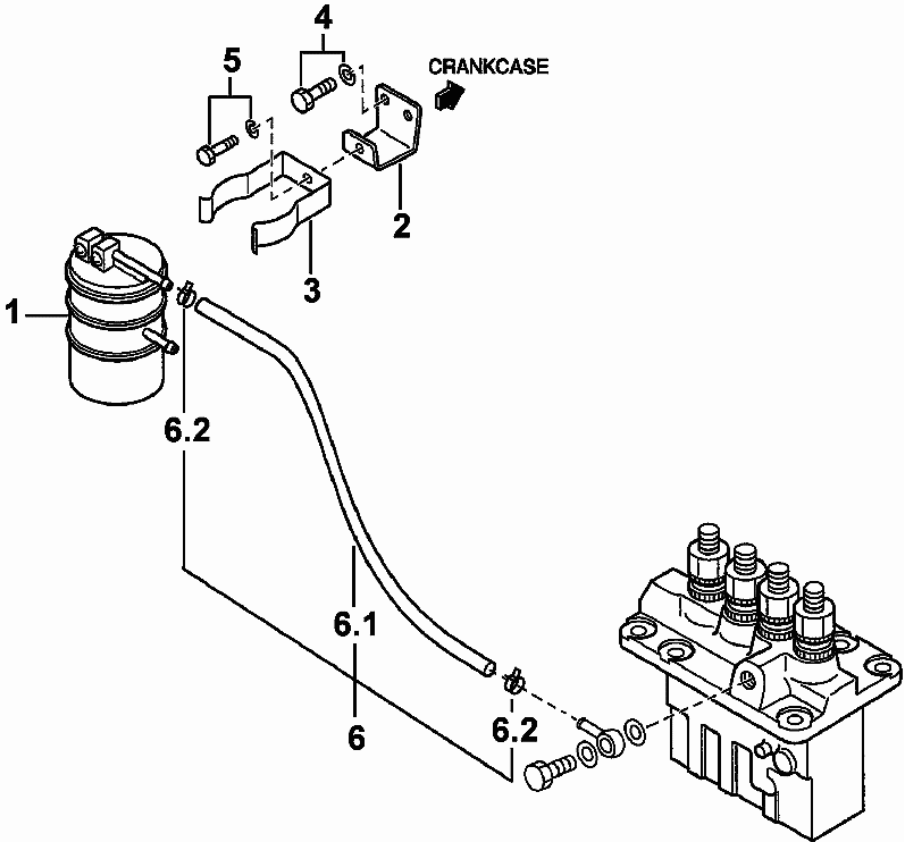
Fig.	Code	QTY	Name
1	0.010.2672.0	1	crank shaft
2	0.009.4555.1	2	key
3	0.009.4554.2	1	flat washer
4	0.009.4555.0	1	spring washer
5	0.009.4554.1	1	nut
6	0.010.2672.2	1	pulley
7	0.010.3954.2	1	flywheel
7.1	0.010.2671.0	1	crown wheel Z = 120
7.2	0.000.0000.1	0	not serviceable
8	0.009.4557.0	4	screw
9	0.010.3955.0	1	gear Z = 28
10	0.009.4556.1	1	bearing

MIT_H36_019-A-001

0108B1-021

FUEL FILTER

Fig.	Code	QTY	Name
1	0.009.4784.1	1	fuel filter element
2	0.009.4575.2	1	support
3	0.009.4575.1	1	clamp
4	0.010.2639.1	2	screw
5	0.010.2705.0	1	screw
6	0.010.2705.2	1	tube
6.1	0.010.3960.2	1	rubber tube
6.2	0.009.4572.1	2	clamp



MIT_H36_040-A-001

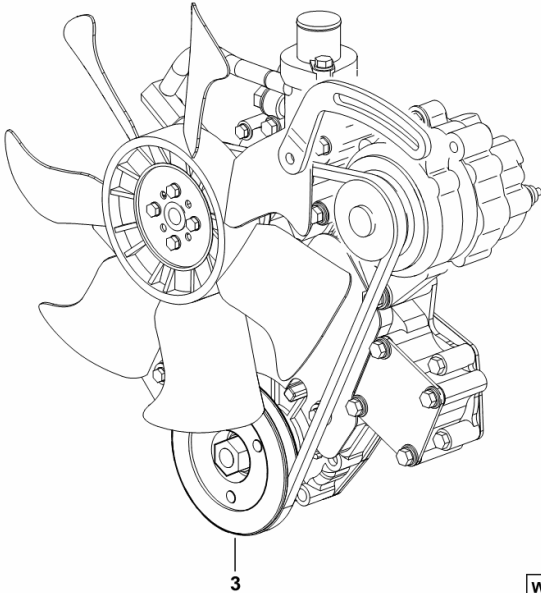
05061-005E

Section: B0 - ENGINE
CRANKSHAFT PULLEY

Fig.	Code	QTY	Name
------	------	-----	------

Notes:
 - FOR MODELS WITH CAB [SOLARIS 35 ->20001 2WD] - FOR MODELS WITH CAB [SOLARIS 35 ->20001 4WD]

3	0.900.0517.4	1	pulley
---	--------------	---	--------



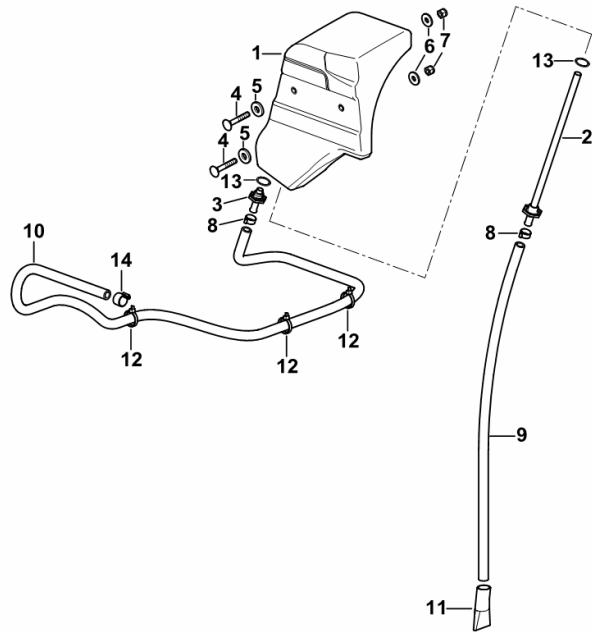
W9_M8617_04_0-B-001

COLLECTION TANK

Fig.	Code	QTY	Name
------	------	-----	------

Notes:

[SOLARIS 35 ->20001 2WD] [SOLARIS 35 ->20001 4WD]



W9_A4883_04_0-A-001

1	0.013.6570.4/20	1	cup
2	0.013.6749.3/10	1	tube
3	0.013.6829.3/10	1	tube
4	2.0020.109.2	2	screw m 6 p.1 x 40
5	2.1499.215.0	2	washer 8.5x20x1
6	2.1312.003.2	2	washer 6
7	2.1120.003.2	2	nut m 6
8	2.6857.017.0	2	clamp 13
9	0.013.6765.0	1	tube mm 8x13x600
10	0.013.6764.0	1	tube mm 8x13x1000
11	0.009.0890.0	1	terminal
12	2.6852.101.0	3	clamp 142x3.6
13	2.1530.039.0	2	'o' ring 15.6x1.78
14	2.6857.013.0	1	clamp

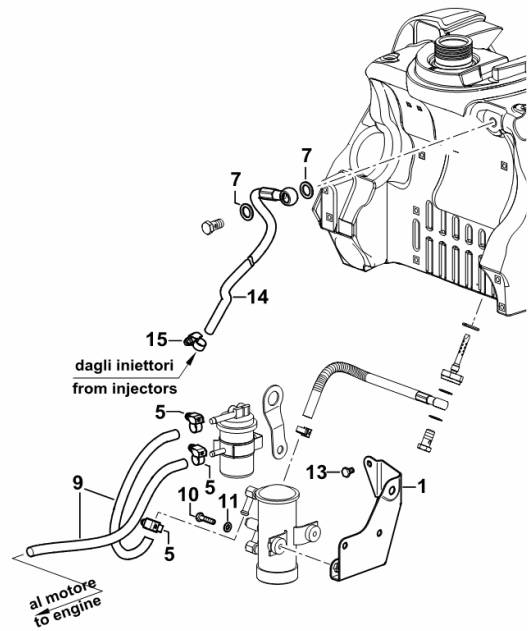
FUEL SUPPLY SYSTEM

Fig.	Code	QTY	Name
------	------	-----	------

Notes:

[SOLARIS 35 ->20001 2WD] [SOLARIS 35 ->20001 4WD]

1	0.013.3749.3	1	bracket
5	2.6851.018.0	3	clamp 11/17
7	2.1561.007.0	2	gasket 14,8x22.2
9	0.007.8859.0	2	tube 6x9x1950
10	2.0112.009.2	2	screw m 6 p.1 x 25
11	2.1310.002.2	2	washer 6.6, d125
13	2.0112.002.2	1	screw m 6 p.1 x 10
14	0.013.5393.2/10	1	tube
15	2.6857.011.0	1	clamp 10



W9_M8616_01_0-A-002

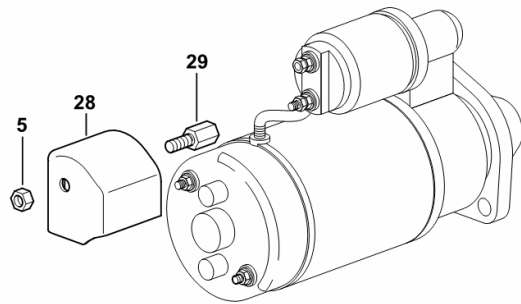
STARTER MOTOR COVER

Fig.	Code	QTY	Name
------	------	-----	------

Notes:

- EXPORT U.S.A. [SOLARIS 35 ->20001 2WD] - EXPORT U.S.A. [SOLARIS 35 ->20001 4WD]

5	2.1011.105.2	2	nut m 8 p.1.25
28	0.013.5489.2	1	guard
29	0.012.2239.0/10	1	reduction m 8



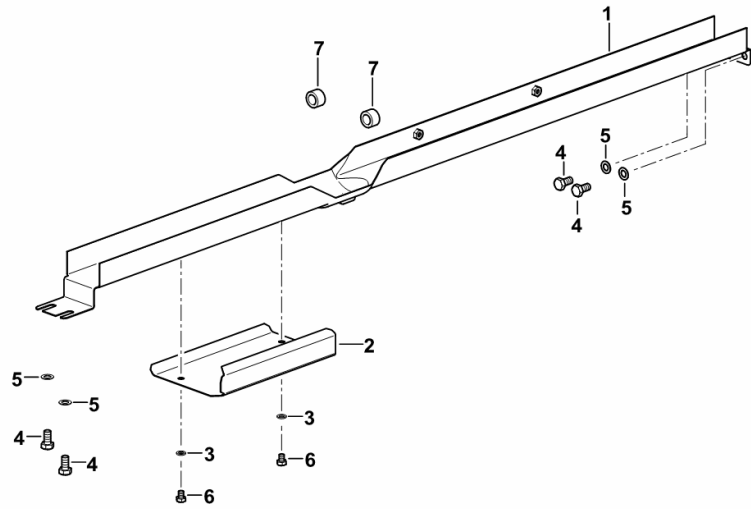
W9_H3885_00_0-B-001

Section: F0 - FRONT AXLE
2WD - GUARDS

Fig.	Code	QTY	Name
------	------	-----	------

Notes:
 [SOLARIS 35 ->20001 2WD]

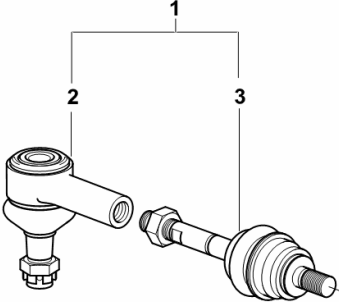
1	0.013.0342.3/10	1	guard
2	0.013.3715.0	1	sump
3	2.1470.002.2	2	washer 6, d128
4	2.0112.205.2	4	screw m 8 p.1.25 x 16
5	2.1470.004.2	4	washer 8
6	2.0112.001.2	2	screw m 6 p.1 x 18
7	2.1579.443.2/20	2	spacer



W9_H3726_02_0-A-001

ADJUSTABLE LIFT ROD PARTS

Fig.	Code	QTY	Name
1	0.008.7734.4/30	1	ball joint
2	0.010.2517.0	1	joint
3	0.010.2517.1	1	rod



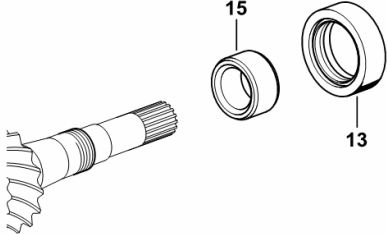
008_7734_4_30

GASKETS

Fig.	Code	QTY	Name
------	------	-----	------

Notes:
- WITH WATERPROOF SEALS [SOLARIS 35 ->20001 4WD]

13	2.1529.117.0	1	'o' ring 37x52x16
15	2.1549.214.0	1	spacer



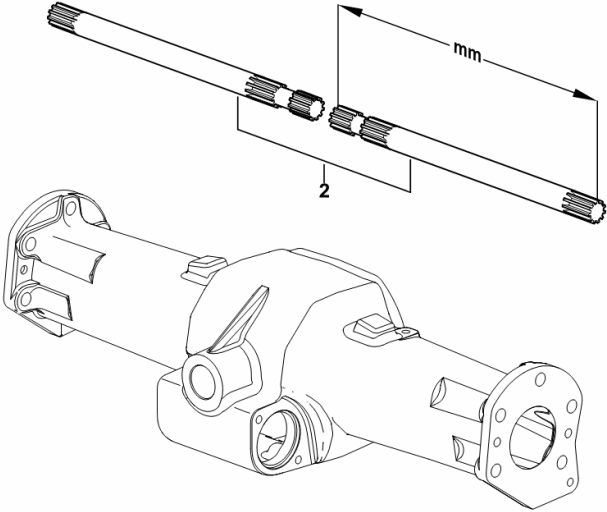
W9_55846_07_0-A-001

4WD - AXLESHAFTS WITH DIFFERENTIAL LOCK

Fig.	Code	QTY	Name
------	------	-----	------

Notes:
[SOLARIS 35 ->20001 4WD]

2	0.009.6287.0	2	half-shaft mm 395
---	--------------	---	-------------------



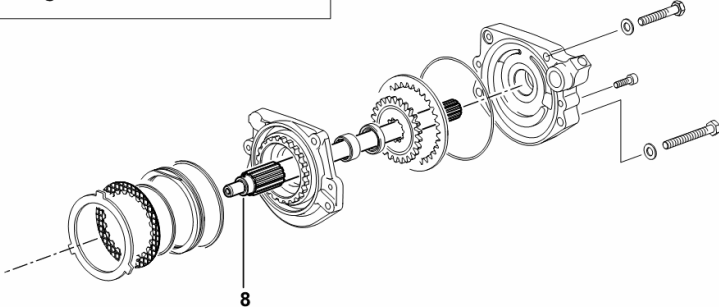
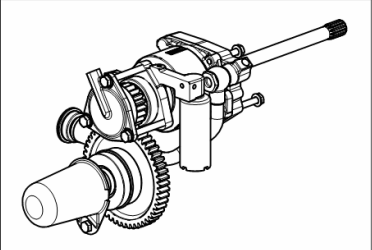
W9_A5643_02_0-B-001

Section: M0 - FRONT PTO
DRIVE SHAFT - FRONT P.T.O. SHAFT

Fig.	Code	QTY	Name
------	------	-----	------

Notes:
- EXPORT U.S.A. [SOLARIS 35 ->20001 2WD] - EXPORT U.S.A. [SOLARIS 35 ->20001 4WD]

8	0.014.0035.0	1	shaft
---	--------------	---	-------



W9_A4859_86_0-D-001

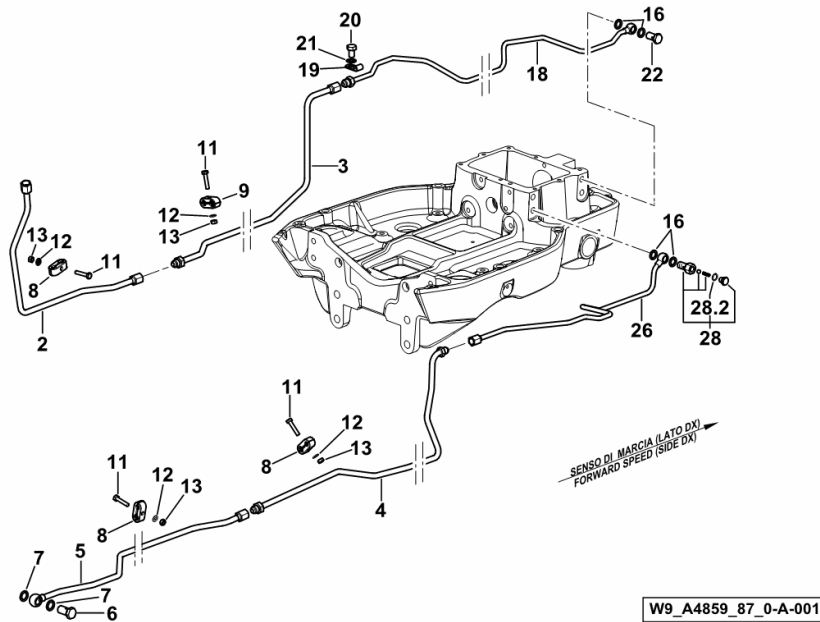
Section: M0 - FRONT PTO
FRONT PTO HYDRAULIC SYSTEM

Fig.	Code	QTY	Name
------	------	-----	------

Notes:

[SOLARIS 35 ->20001 2WD] [SOLARIS 35 ->20001 4WD]

2	0.014.1934.3	1	tube
3	0.014.1933.3	1	tube
4	0.014.1900.3	1	tube
5	0.014.1901.3/10	1	tube
6	2.3332.004.1	1	pipe union m 14 p.1.5 x 27
7	2.1560.010.0	2	gasket 14.2 x 20 x 1.5
8	2.3321.005.0	3	clamp 8-10
9	2.3321.009.0	1	clamp 10-12
11	2.0112.011.2	5	screw m 6 p.1x30
12	2.1310.002.2	5	washer 6.6, d125
13	2.1011.103.2	5	nut m 6 p.1
16	2.1560.008.0	17	gasket 12.2 x 18
18	0.014.1883.3/10	1	tube
19	2.6839.037.2	1	clamp Ø 8
20	2.0112.305.2	1	screw m 10 p.1.5 x 16
21	2.1470.006.2	2	lock washer 10
22	2.3332.003.1	7	pipe union m 12 p.1.25
26	0.014.1880.3	1	tube
28	0.014.1722.3	1	valve
28.2	2.1560.005.0	1	gasket 10.2 x 14



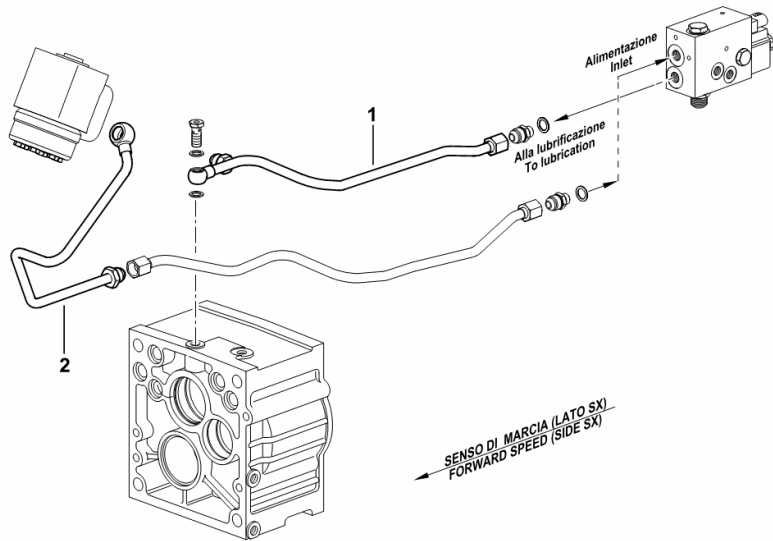
HYDRAULIC SYSTEM

Fig.	Code	QTY	Name
------	------	-----	------

Notes:

- WITH 12+12 GEARBOX - FOR TYPES WITHOUT FRONT PTO [SOLARIS 35 ->20001 2WD] - WITH 12+12 GEARBOX - FOR TYPES WITHOUT FRONT PTO [SOLARIS 35 ->20001 4WD]

1	0.013.9891.3	1	tube
2	0.013.3041.3	1	tube



W9_A4882_14_0-A-001

SOLARIS 35 ->20001

Section: H0 - HYDRAULIC AND PNEUMATIC SYSTEM|

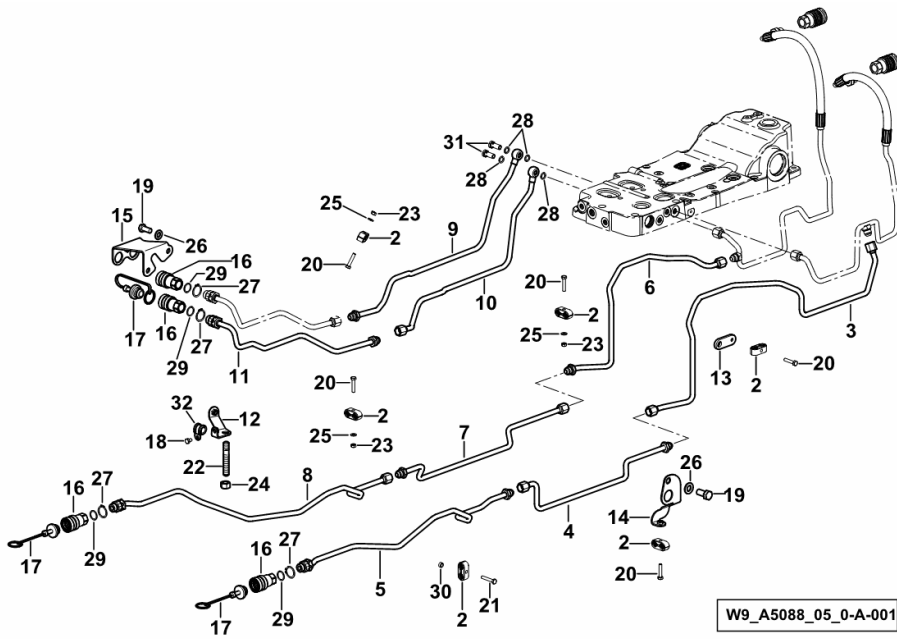
Ref.: H0.06.0 (1)

HYDRAULIC SYSTEM WITH CENTRAL AND FRONT QUICK ACTION COUPLERS

Fig.	Code	QTY	Name
------	------	-----	------

Notes:

[SOLARIS 35 ->20001 2WD] [SOLARIS 35 ->20001 4WD]



2	2.3321.010.0	7	collar Ø 12/12
3	0.013.9830.3	1	tube
4	0.013.9832.3	1	tube
5	0.013.9833.3	1	tube
6	0.013.9834.3	1	tube
7	0.013.9836.3	1	tube
8	0.013.9837.3	1	tube
9	0.013.9838.3/20	1	tube
10	0.013.9840.3/20	1	tube
11	0.013.9841.3	1	tube
12	0.013.9845.3	1	bracket
13	0.013.9846.0	1	bracket
14	0.013.9847.3	1	bracket
15	0.013.9848.3/10	1	bracket
16	0.98308.50.3/10	4	coupling 0.98308.50.3/10
17	0.013.7997.0	4	plug
18	2.0112.002.2	1	screw m 6 p.1 x 10
19	2.0122.459.6	3	screw m 12 p.1.25x25
20	2.0112.011.2	6	screw m 6 p.1x30
21	2.0112.013.2	1	screw m 6 p.1 x 35
22	2.0432.267.2	1	stud bolt m 12 p.1.75-1.25x60
23	2.1011.103.2	4	nut m 6 p.1
24	2.1011.422.2	1	nut m 12 p.1.25
25	2.1310.002.2	4	washer 6.6, d125
26	2.1310.007.2	3	flat washer 13.5
27	2.1410.011.2	4	circlip 28
28	2.1560.008.0	4	gasket 12.2 x 18
29	2.1560.054.0	4	gasket 21 x 26
30	2.1549.009.2	1	spacer 7x11x5.5
31	2.3335.052.2	2	pipe union m 12 p.1.5
32	2.6839.059.0	1	clamp Ø 12 / 15

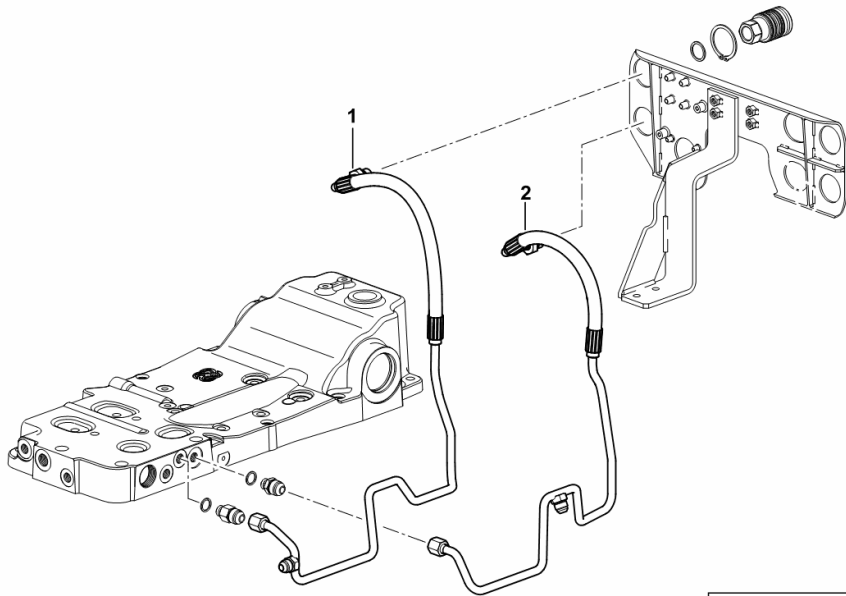
PIPES/HOSES FOR QUICK ACTION REAR COUPLERS

Fig.	Code	QTY	Name
------	------	-----	------

Notes:

- WITH QUICK ACTION FRONT COUPLERS [SOLARIS 35 ->20001 2WD] - WITH QUICK ACTION FRONT COUPLERS [SOLARIS 35 ->20001 4WD]

1	0.013.9629.3/10	1	tube
2	0.013.9628.3	1	tube



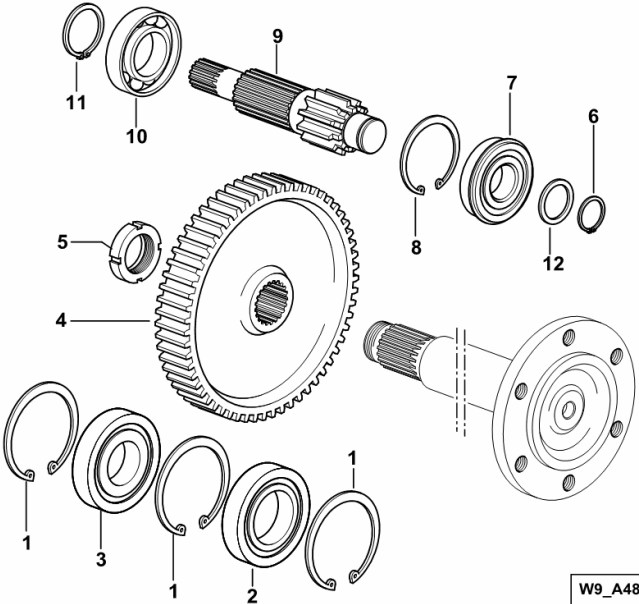
W9_A5088_04_0-A-001

Section: E0 - REAR AXLE
REDUCTION GEAR UNIT

Fig.	Code	QTY	Name
------	------	-----	------

Notes:
[SOLARIS 35 ->20001 2WD] [SOLARIS 35 ->20001 4WD]

1	2.1411.040.1	6	circlip 100
2	2.2040.015.0	2	ball bearing iso 55 bc 02
3	2.2064.013.0	2	ball bearing 45x100x25
4	0.008.7248.0/10	2	gear z = 59
5	2.1219.032.0/10	2	ring nut m 40 p.1.5
6	2.1412.013.7	2	ring Ø 35
7	2.2999.235.0	2	bearing 35 x 80 x 21
8	2.1411.032.1	2	circlip 80 x 2.5
9	0.013.0277.0	2	half-shaft
10	2.2045.013.0	2	bearing 45 x 85 x 19
11	2.1410.018.7	2	circlip 45
12	2.1599.874.0	2	washer 35 x 45 x 3.0



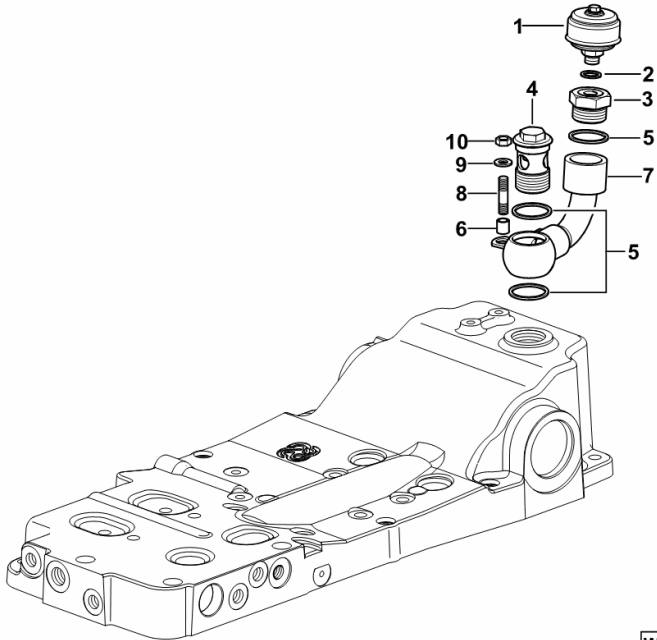
WS_A4847_00_0-A-001

Section: R0 - REAR LIFT
OIL FILLER NECK - AIR BREATHER

Fig.	Code	QTY	Name
------	------	-----	------

Notes:
[SOLARIS 35 ->20001 2WD] -> 20168 [SOLARIS 35 ->20001 4WD] -> 20168

1	0.445.3150.4/20	1	filter
2	2.1560.010.0	1	gasket 14.2 x 20 x 1.5
3	2.3249.049.2	1	pipe fitting m 14 p1.5
4	2.3249.096.2	1	pipe union 1 gas x 50
5	2.1560.056.0	3	gasket 33x39
6	2.1549.205.2	1	shim 10.5x14x14
7	0.013.7217.3/10	1	tube
8	2.0422.309.2	1	stud bolt m 10 x 35
9	2.1310.006.2	1	flat washer 10.5
10	2.1011.106.2	1	nut m 10 p.1.5



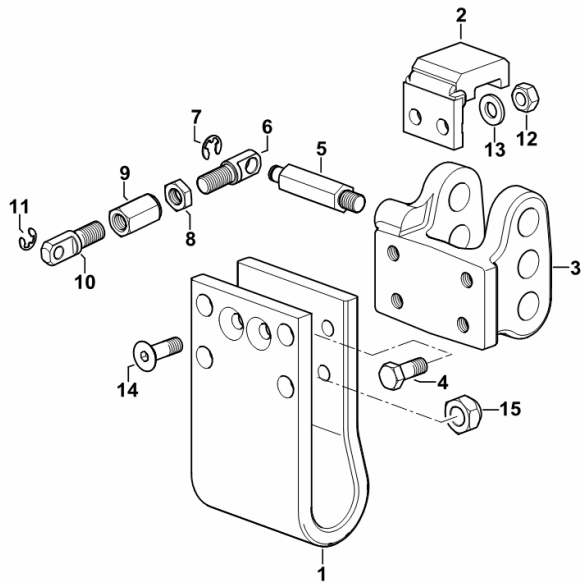
W9_A4859_05_0-A-002

Section: R0 - REAR LIFT
SENSITIVE ELEMENTS

Fig.	Code	QTY	Name
------	------	-----	------

Notes:

[SOLARIS 35 ->20001 2WD] [SOLARIS 35 ->20001 4WD]



1	0.014.1050.0/10	1	spring
2	0.014.1051.2	1	plate
3	0.014.1052.0	1	bracket
4	2.0112.309.2	4	screw m 10 p.1.5 x 25
5	0.010.9569.0	1	spacer
6	0.014.1054.0	1	screw
7	2.1430.009.7	1	circlip 8
8	2.1011.507.2	1	nut
9	0.014.1263.0	1	nut
10	0.014.0003.0	1	screw
11	2.1430.008.7	1	circlip 7
12	2.1011.106.2	2	nut m 10 p.1.5
13	2.1475.203.2	2	spring washer 10
14	2.0342.408.3	2	screw m 10 p 1.5x30
15	2.1121.110.2	4	nut m 14 p.1.5

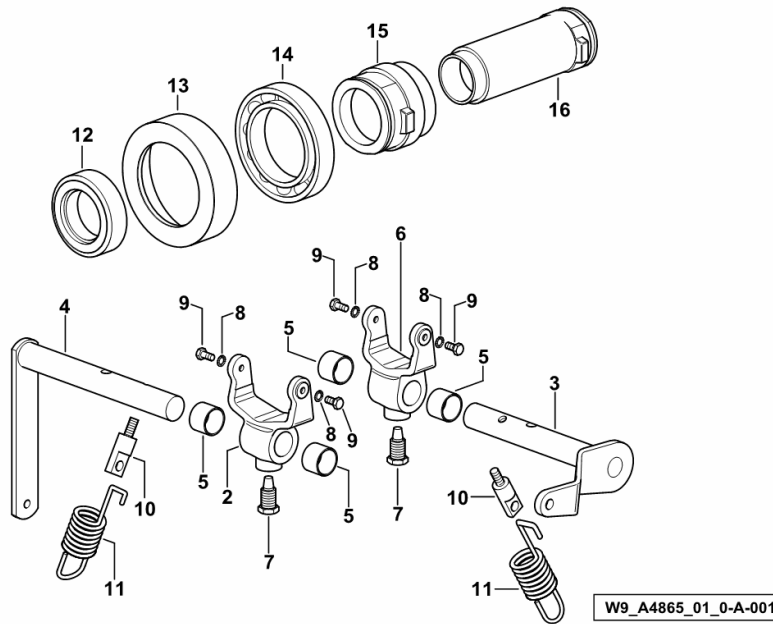
W9_A5059_61_0-A-001

CLUTCH CONTROL

Fig.	Code	QTY	Name
------	------	-----	------

Notes:

[SOLARIS 35 ->20001 2WD] [SOLARIS 35 ->20001 4WD]



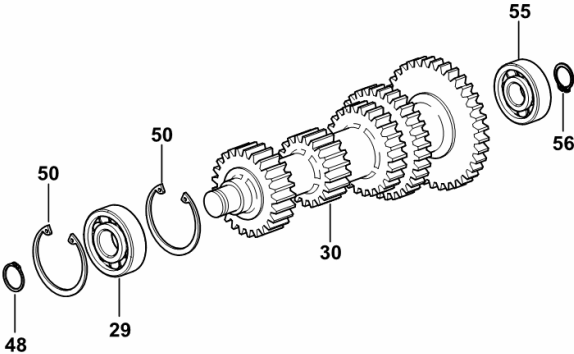
2	0.013.0281.0	1	fork
3	0.013.0283.3	1	lever
4	0.013.0284.3	1	lever
5	2.1555.314.0	4	bushing 25x28x20
6	0.013.0282.0	1	fork
7	2.0399.514.1	2	screw m 14 p.1.5x30
8	2.1470.002.2	4	washer 6, d128
9	2.0119.254.2	4	screw
10	0.008.5241.0	2	pin
11	2.4049.228.2/10	2	spring
12	0.013.0286.3	1	bearing
13	0.013.0285.0	1	bearing
14	2.2999.361.0	1	bearing
15	0.013.0280.0	1	sleeve
16	0.013.0279.0	1	sleeve

MAIN SHAFT

Fig.	Code	QTY	Name
------	------	-----	------

Notes:
 16+16 [SOLARIS 35 ->20001 2WD] 16+16 [SOLARIS 35 ->20001 4WD]

29	2.2999.265.0	4	bearing 20x52x15
30	0.012.6888.0	1	main shaft
48	2.1410.006.1	2	circlip 20
50	2.1411.021.1	2	circlip 52
55	2.2060.004.0	1	ball bearing 17x47x14
56	2.1429.039.1	1	circlip 17



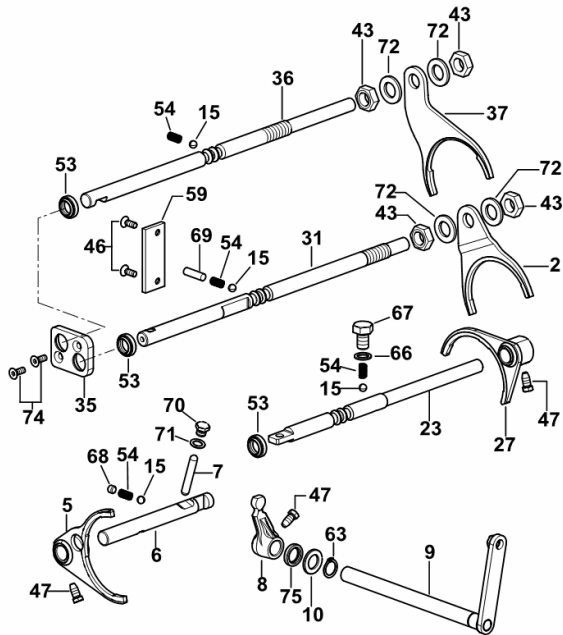
W9_H3733_02_0-A-001

INTERNAL CONTROLS

Fig.	Code	QTY	Name
------	------	-----	------

Notes:

16+16 [SOLARIS 35 ->20001 2WD] 16+16 [SOLARIS 35 ->20001 4WD]



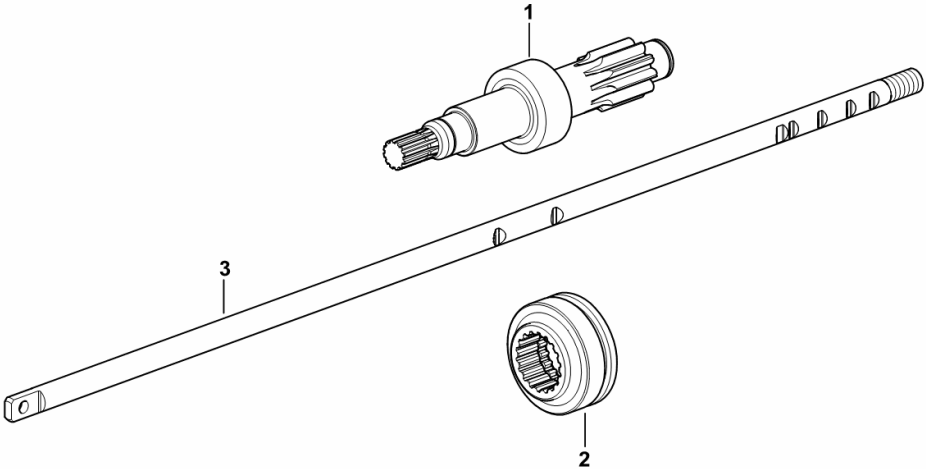
2	0.008.6269.0/30	1	fork 3 - 4
5	0.014.3366.3	1	fork
6	0.014.3371.0/10	1	rod
7	0.014.3368.0	1	pin
8	0.014.3370.0/20	1	lever
9	0.014.3369.3/10	1	rod
10	2.1311.010.2	1	flat washer 16
15	2.2810.004.0	4	ball 5/16"
23	0.008.7252.0/10	1	rod av-rm
27	0.008.7997.2	1	fork av-rm
31	0.014.3373.0/20	1	rod 3 - 4
35	0.014.3379.0/30	1	small plate
36	0.014.3372.0/10	1	rod 1 - 2
37	0.008.7255.0/30	1	fork 1 - 2
43	2.1019.131.0	4	nut
46	2.0342.203.3	2	screw m 6 p.1.0 x 16
47	2.0399.019.1	3	screw m 8 p.1 x 16
53	2.1519.147.0	5	'o' ring
54	2.4019.478.0/10	4	spring 6.7x7.9
59	0.014.3374.0	1	small plate
63	2.1410.004.1	1	circlip 16
66	2.1560.008.0	1	gasket 12.2 x 18
67	2.0399.155.0/10	1	screw m 12 p.1.25
68	0.014.3381.0	1	smau pin 8x6.5
69	2.1699.305.0	1	pin 8x27
70	2.3110.301.1	1	plug m 10 p.1.5x8
71	2.1560.006.0	1	gasket 10.2 x 16
72	2.1310.010.2	4	flat washer 16
74	2.0342.203.3	2	screw m 6 p.1.0 x 16
75	2.1519.078.0	1	'o' ring 16 x 24 x 6

Section: D0 - TRANSMISSION
P.T.O. - WITH N' 540

Fig.	Code	QTY	Name
------	------	-----	------

Notes:
[SOLARIS 35 ->20001 2WD] [SOLARIS 35 ->20001 4WD] -> 20125

1	0.014.0235.0	1	shaft
2	0.014.0218.0	1	sleeve
3	0.014.0233.0	1	rod



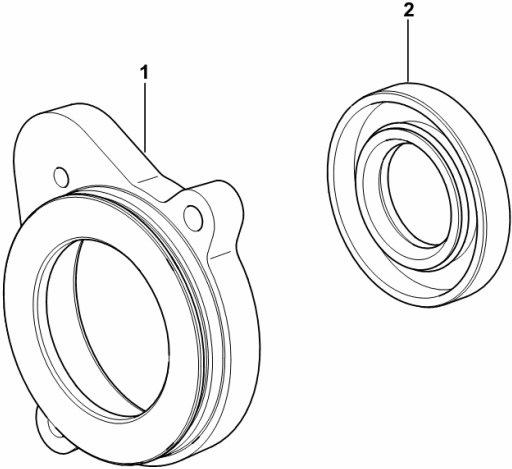
W9_A4836_06_0-A-002

PTO - PARTS SET WITH STANDARD SEALS

Fig.	Code	QTY	Name
------	------	-----	------

Notes:
[SOLARIS 35 ->20001 2WD] [SOLARIS 35 ->20001 4WD]

1	0.014.0225.0	1	cover
2	2.1520.317.0	1	oil seal 35x72x12



W9_A4836_04_0-A-001

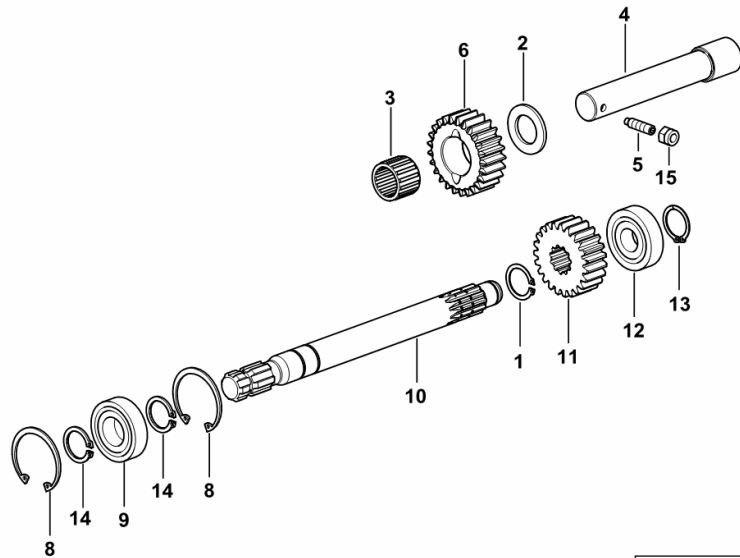
CENTRAL P.T.O.

Fig.	Code	QTY	Name
------	------	-----	------

Notes:

[SOLARIS 35 ->20001 2WD] [SOLARIS 35 ->20001 4WD]

1	2.1410.010.2	1	ring 25
2	2.1599.613.0/10	1	shoulder 25.1x42x3
3	2.2770.191.0	1	roller cage 25x33x25
4	0.014.0228.0/10	1	pin
5	2.0522.212.7	1	screw m 8 p.1.25 x 30
6	0.014.0238.0	1	gear
8	2.1411.021.1	2	circlip 52
9	2.2040.007.0	1	ball bearing 25x52x15
10	0.014.0221.0	1	shaft
11	0.014.0224.0	1	gear
12	2.2060.005.0	1	ball bearing 20x52x15
13	2.1410.006.1	1	circlip 20
14	2.1419.029.7	2	circlip 25
15	2.1120.005.2	1	nut m 8 p.1.25



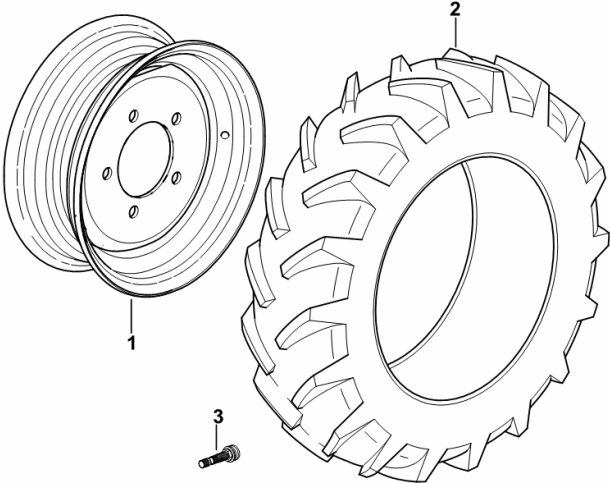
W9_A4836_10_0-A-001

Section: S0 - WHEELS
WHEELS 7.00x12" pr 4

Fig.	Code	QTY	Name
------	------	-----	------

Notes:
[SOLARIS 35 ->20001 4WD]

1	0.013.4493.3	2	rim 4.25x12"
2	2.4811.283.0	2	tyre 7.00-12
3	0.012.6364.0	2	valve



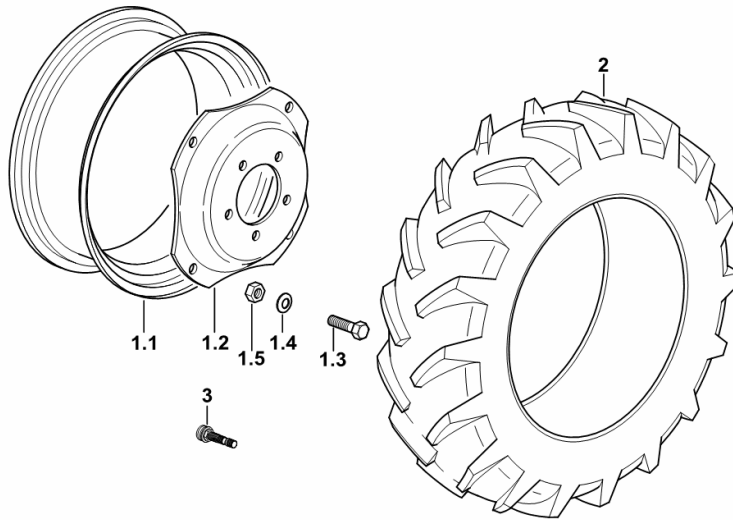
W9_75855_20_0-A-001

Section: S0 - WHEELS
WHEELS 240/70 R16"

Fig.	Code	QTY	Name
------	------	-----	------

Notes:
 [SOLARIS 35 ->20001 4WD]

1.1	0.012.2804.3	1	rim W 8x16" C/BL
1.2	0.008.7636.0	1	rim center flange
1.3	2.0122.621.6	4	screw m 16 p.1.5 x 60
1.4	2.1499.019.6	4	washer 16.3 x 31.5
1.5	2.1019.059.6	4	nut m 16 p.1.5 x 16
2	2.4811.120.0	2	tyre 240/70 R16" (20097 <-)
2	2.4811.120.0	2	tyre 240/70 R16" (-> 20109)
3	0.012.6364.0	2	valve



W9_A4855_22_0-A-001

CLICK HERE TO **DOWNLOAD** THE COMPLETE MANUAL

- Thank you very much for reading the preview of the manual.
- You can download the complete manual from: www.heydownloads.com by clicking the link below



- Please note: If there is no response to CLICKING the link, please download this PDF first and then click on it.

CLICK HERE TO **DOWNLOAD** THE COMPLETE MANUAL