

SOLAR 60 C

ACCESSORIES

GENERAL

AUXILIARY HYDRAULIC DISTRIBUTOR.....	0E.00.1
3 POINT HITCH.....	0E.00.2
FRONT TOWING HITCH.....	0E.00.3
TOWING BAR.....	0E.00.4
BALLAST.....	0E.00.5
PTO GUARD.....	0E.00.6
TOOL POUCH.....	0E.00.7

CLICK HERE TO **DOWNLOAD** THE COMPLETE MANUAL

- Thank you very much for reading the preview of the manual.
- You can download the complete manual from: www.heydownloads.com by clicking the link below



- Please note: If there is no response to CLICKING the link, please download this PDF first and then click on it.

CLICK HERE TO **DOWNLOAD** THE COMPLETE MANUAL

Section: BODY WORK
HOOD

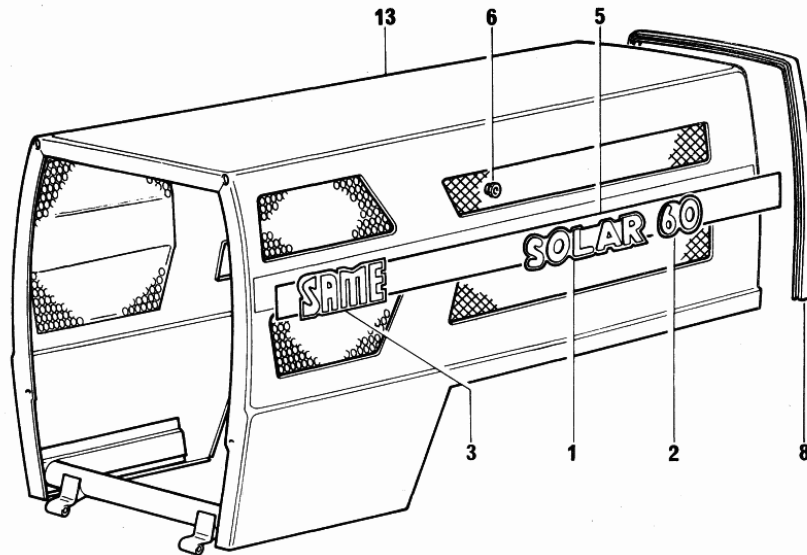
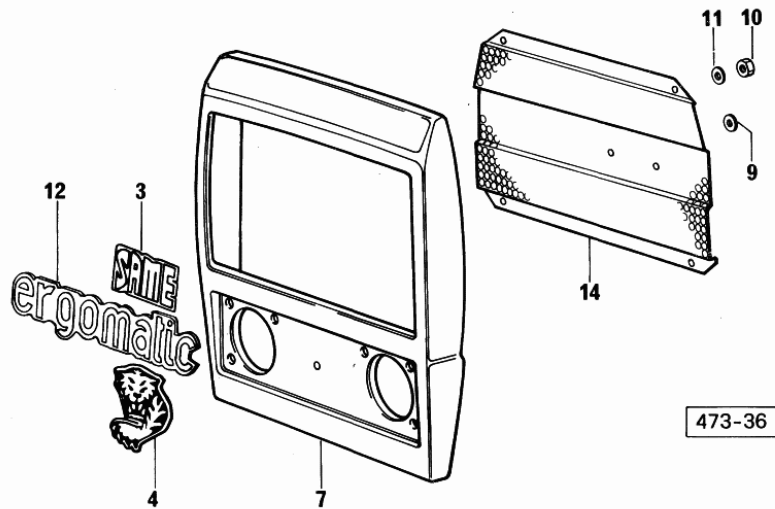
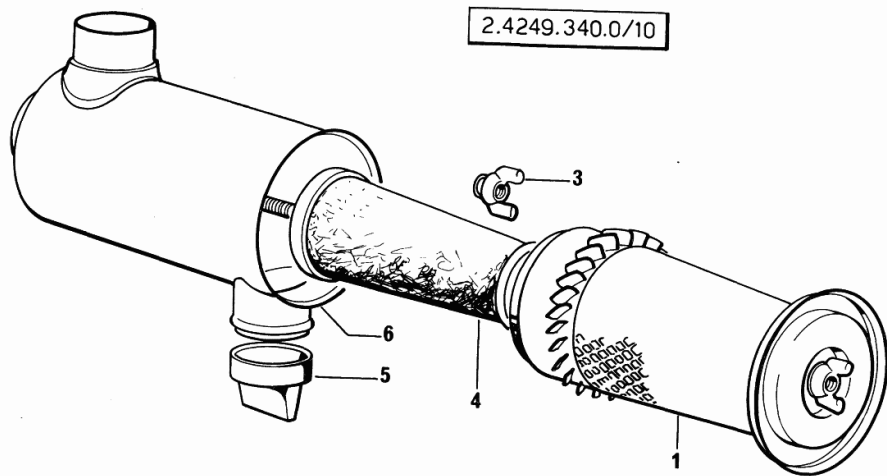


Fig.	Code	QTY	Name
1	0.463.7225.0	2	plate
2	0.201.7229.2	2	plate
3	0.255.7228.2	3	plate SAME
4	0.9231.365.2	1	plate
5	0.463.7250.0	2	plate
6	2.1129.004.0	16	selflock nut m 4
7	0.463.7212.3	1	old part
8	0.473.7252.0	1	gasket
9	2.1310.002.2	4	washer 6.6, d125
10	2.1120.003.2	6	nut m 6
11	2.1310.002.2	6	washer 6.6, d125
12	0.473.7255.2	1	plate
13	0.473.7210.4	1	bonnet
14	0.465.7215.2	1	front grille



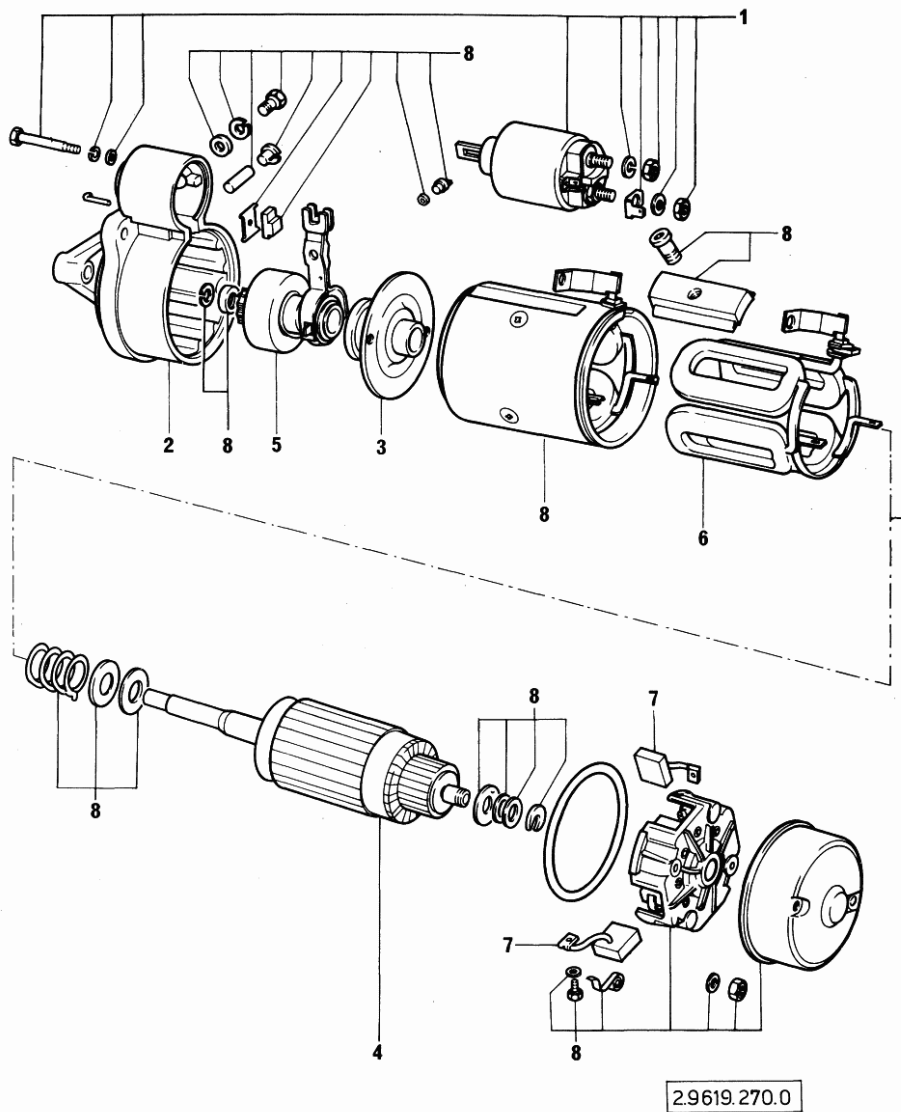
FUEL SYSTEM - AIR FILTER COMPONENTS

Fig.	Code	QTY	Name
1	2.4249.390.0	1	air filter
1	2.4249.390.1	1	air filter element
3	2.4249.060.2	1	wing nut
4	2.4249.390.2	1	air filter element
5	2.4249.170.1	1	valve
6	0.000.0000.1	0	not serviceable



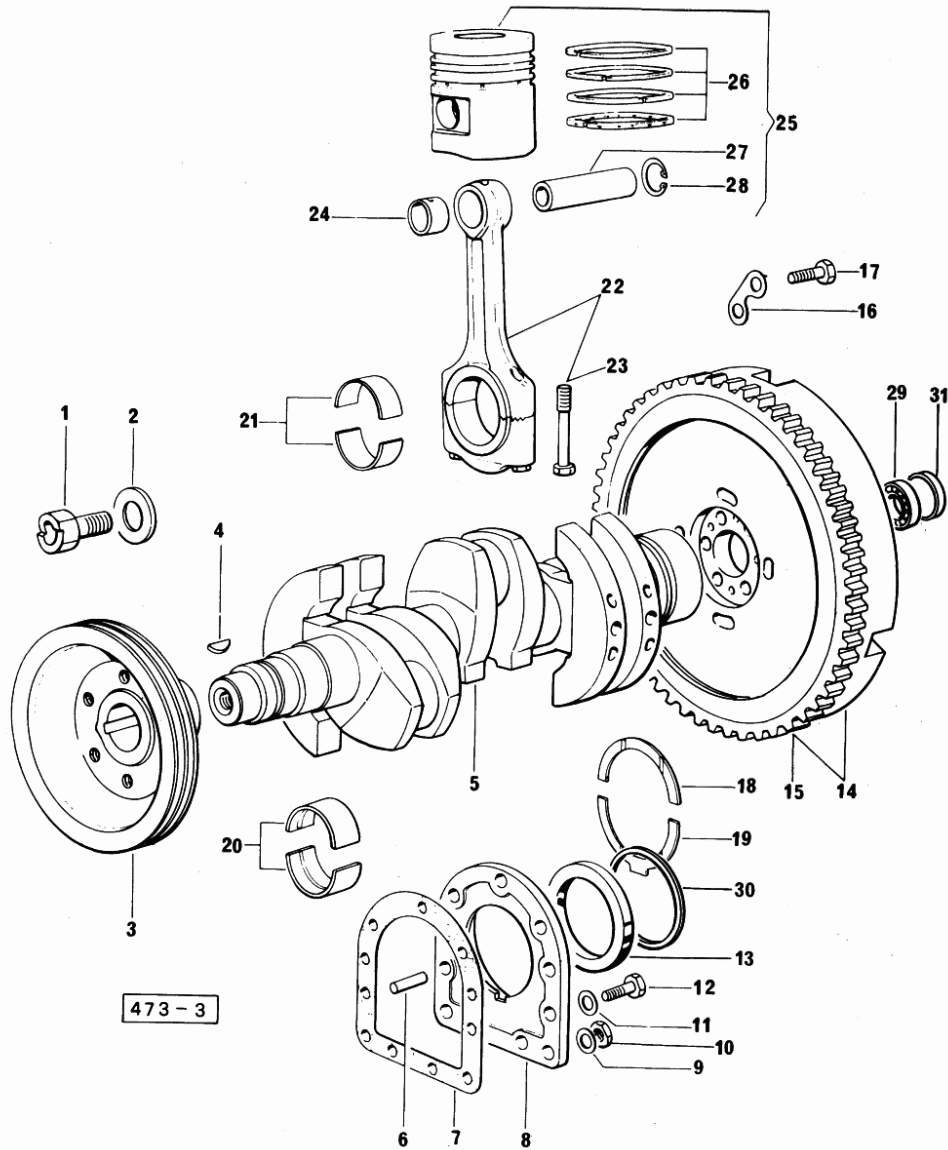
Section: ELECTRIC AL SYSTEM
STARTER MOTOR PARTS

Fig.	Code	QTY	Name
0	2.9619.270.0	1	starter motor
1	2.9619.270.1	1	electromagnet
2	2.9619.270.2	1	support
3	2.9619.160.2	1	support
4	2.9619.161.2	1	armature
5	2.9619.280.2	1	coupling
6	2.9619.270.3	1	field winding
7	2.9619.163.2	4	wiper blade
8	0.000.0000.1	0	not serviceable



Section: ENGINE
CRANKSHAFT

Fig.	Code	QTY	Name
29	2.2061.005.0	1	ball bearing 17x47x14
30	2.1599.404.0	1	snoulder
31	2.1579.616.0	1	spacer



Section: ENGINE
FUEL PUMP PARTS

Fig.	Code	QTY	Name
0	2.4519.230.0	1	feed pump
1	2.4519.239.0	1	accessories
2	2.4519.190.2	1	fuel filter element
3	2.1560.322.0	1	gasket 28.3x36
4	0.000.0000.1	0	not serviceable



2.4519.230.0 1

Section: FRONT AND REAR P.T.O.
P.T.O. ENGAGEMENT CONTROL

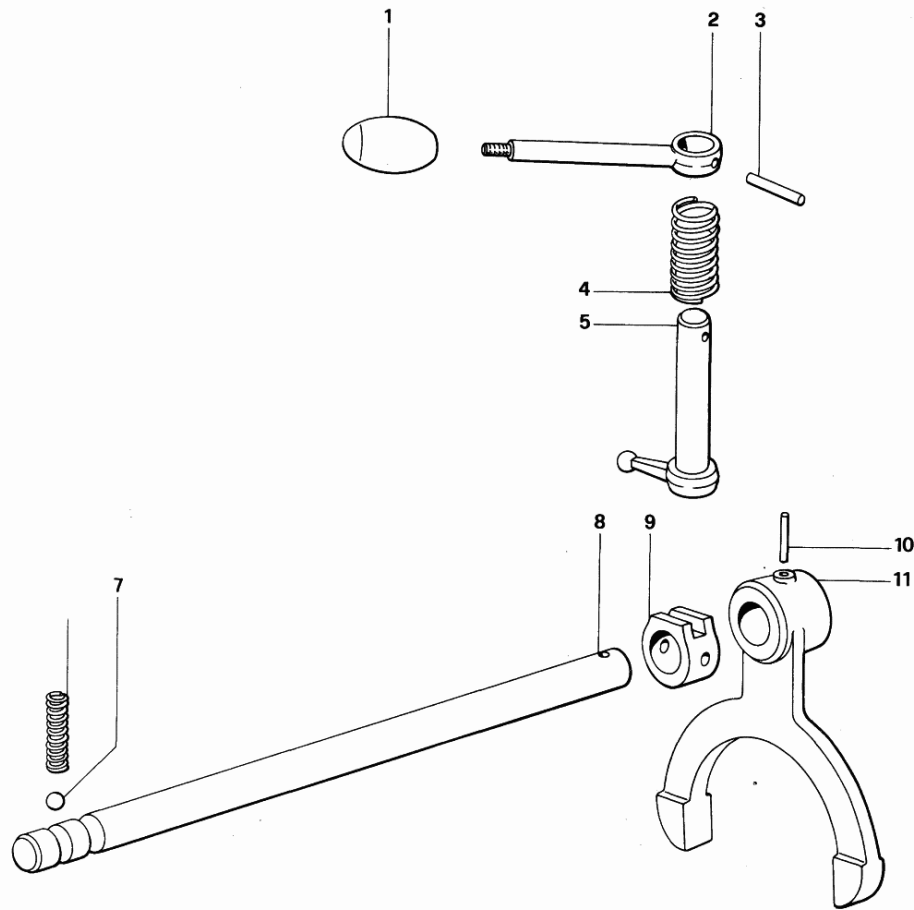
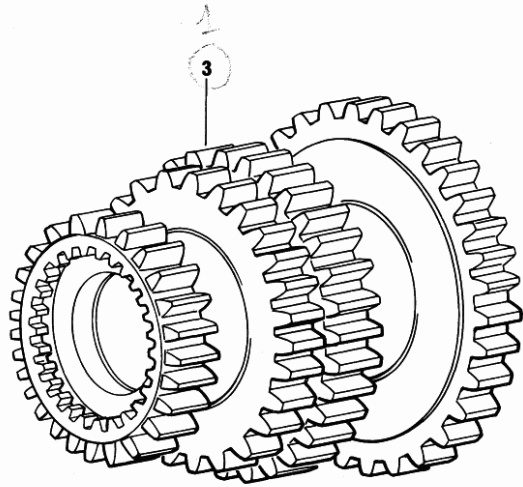


Fig.	Code	QTY	Name
1	0.427.6722.0	1	knob
2	0.424.6830.0	2	lever
3	2.1639.502.0	1	roll pin 5 x 30
4	2.4019.510.1	1	spring
5	0.424.6831.0	1	lever
6	2.4019.521.1	1	spring
7	2.2810.007.0	1	ball 13/32"
8	0.424.6850.0	1	rod
9	0.424.6833.0	1	catch
10	2.1639.502.0	2	roll pin 5 x 30
11	0.424.6832.0	1	fork

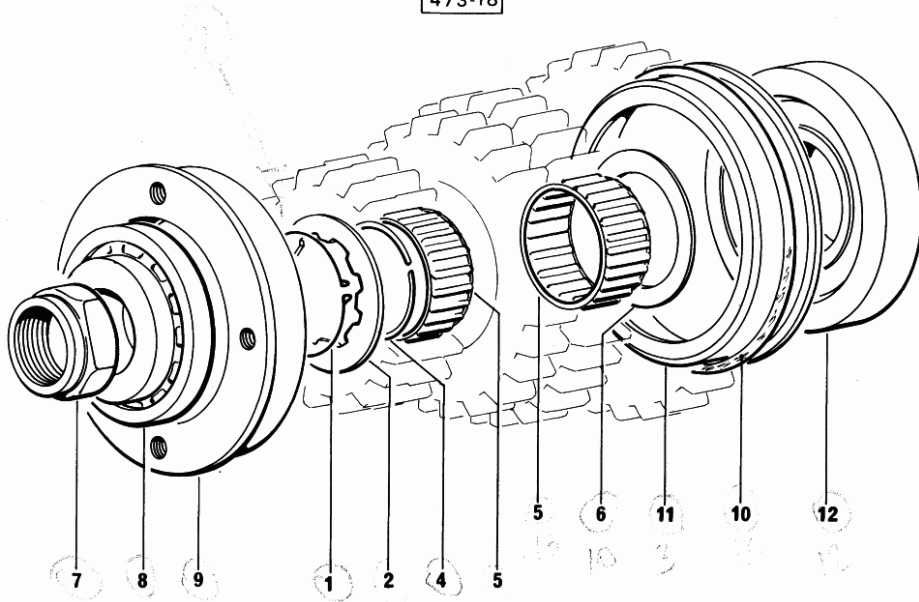
473 -30

Section: GEAR
TRANSMISSION SHAFT

Fig.	Code	QTY	Name
1	2.1410.016.1	1	circlip 40
2	0.424.3353.0	1	spacer
3	0.424.3350.0	1	gear
4	2.1423.034.0	1	circlip 45 x 1.5
5	2.2770.072.0	2	roller cage 40x45x27
6	2.1579.546.0	1	spacer 40x56x4
7	2.1019.516.1	1	special nut m 28 p.1.5
8	2.2550.007.0	1	roller bearing 30x72x28.75
9	0.424.3351.0	1	box
10	2.1579.530.0	3	snoulder 100.5x108x0.1
10	2.1579.531.0	2	snoulder 100.5x108x0.3
10	2.1579.532.0	2	snoulder 100.5x108x0.5
11	0.424.3352.0	1	box
12	2.2520.010.0	1	roller bearing 45x85x20.75



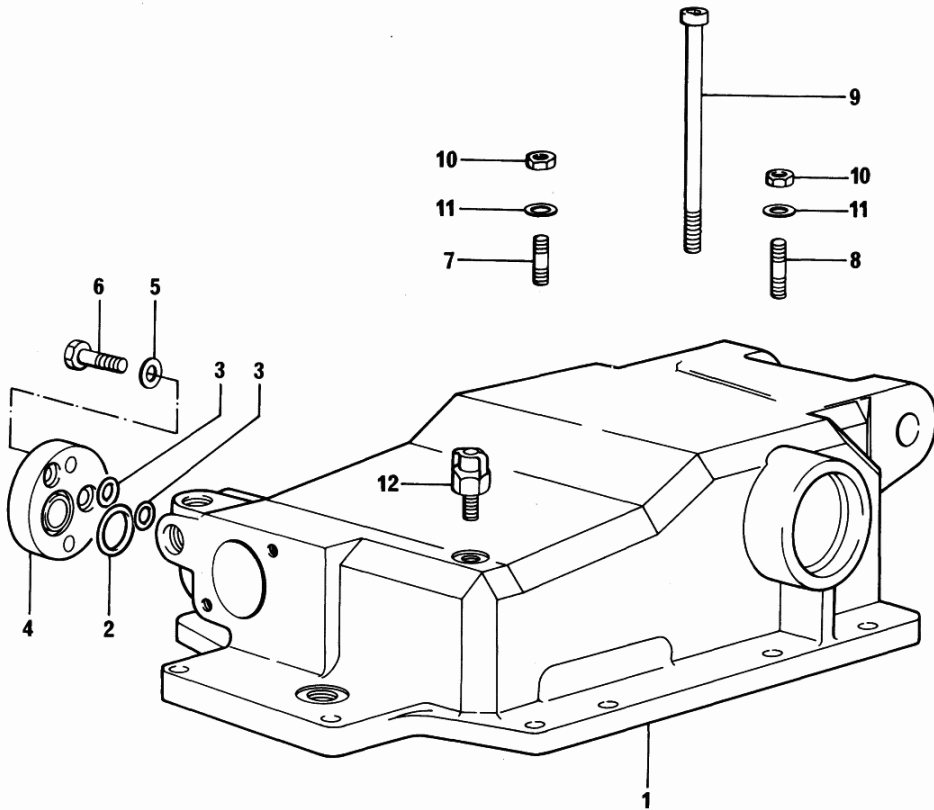
473-18



Section: S.A.C.

S.A.C. CASE

Fig.	Code	QTY	Name
1	0.473.5910.0	1	-
2	2.1530.062.0	1	'o' ring 23.81 x 2.62
3	2.1530.024.0	2	'o' ring 10.78 x 2.62
4	0.9113.151.2	1	flange
5	2.1470.010.2	2	lock washer 18
6	2.0112.313.2	2	screw m 10 p.1.5 x 35
7	2.0432.157.1	8	stud bolt m 10 p 1.5 - 1.25 x 30
8	2.0432.159.1	2	stud bolt m 10 x 35
9	2.0169.008.2	1	-
10	2.1011.421.2	10	nut m 10 p.1.25
11	2.1470.006.2	10	lock washer 10
12	0.001.6590.3	1	breather m 12x15



473-62

SENSITIVE ELEMENTS

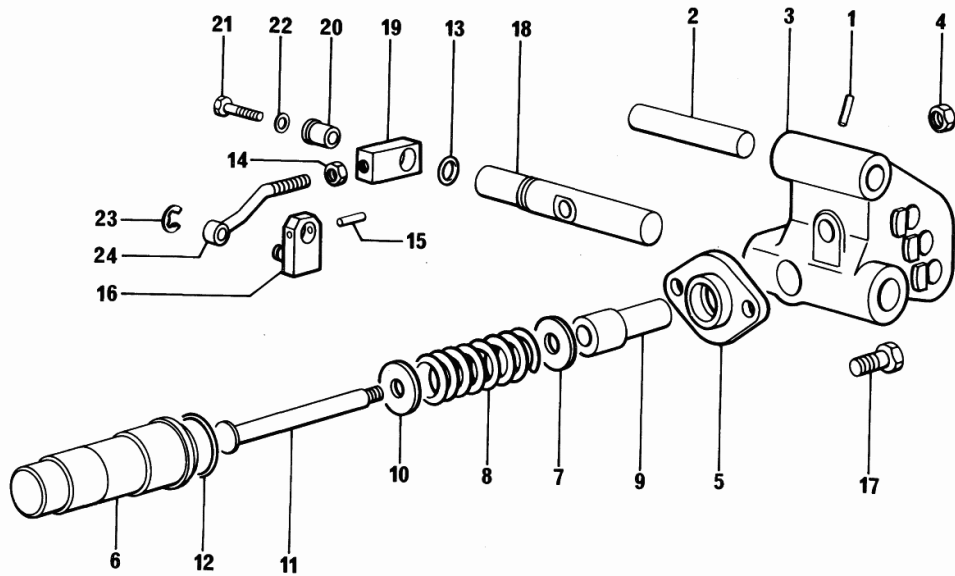


Fig.	Code	QTY	Name
1	2.1630.414.0	1	pin 4 x 36
2	0.473.5985.0	1	pin
3	0.9135.750.0	1	support
4	2.1120.008.2	1	selflock nut m 14 p.1.75
5	0.9113.755.0	1	fork
6	0.9113.758.0	1	cover
7	2.1579.641.0	1	spacer 31x40
8	0.9113.754.1	1	spring
9	0.9135.751.0	1	adjust.rocker
10	2.1579.591.0	1	flat washer 14.25x40
11	0.9113.757.3	1	rod m 14
12	2.1530.125.0	1	'o' ring 50.47x2.62
13	2.1530.051.0	1	'o' ring 20.22x3.53
14	2.1011.006.2	1	nut m 10 p.1.5
15	2.1630.611.0	1	roll pin 6 x 24
16	0.473.5963.3	1	crank
17	2.0112.411.2	2	screw m 12 p.1.75 x 30
18	0.473.5965.0	1	pin
19	0.9061.760.0	1	cap-washer
20	0.9061.661.0	1	bushing
21	2.0112.213.2	1	screw m 8 p.1.25 x 35
22	2.1474.009.2	1	spring washer 8
23	2.1430.011.2	1	circlip 10
24	0.473.5964.2	1	rod

473-72

CLICK HERE TO **DOWNLOAD** THE COMPLETE MANUAL

- Thank you very much for reading the preview of the manual.
- You can download the complete manual from: www.heydownloads.com by clicking the link below



- Please note: If there is no response to CLICKING the link, please download this PDF first and then click on it.

CLICK HERE TO **DOWNLOAD** THE COMPLETE MANUAL