

# SILVER 160

## ACCESSORIES

### GENERAL

6-WAY AUXILIARY DISTRIBUTOR.....	0E.00.1
8-WAY AUXILIARY DISTRIBUTOR.....	0E.00.2
6-WAY AUXILIARY DISTRIBUTOR.....	0E.00.3
8-WAY DISTRIBUTOR EQUIPMENT.....	0E.00.4
6-WAY DISTRIBUTOR EQUIPMENT.....	0E.00.5
8-WAY DISTRIBUTOR EQUIPMENT.....	0E.00.6
REXROTH 6-WAY AUXILIARY CONTROL VALVE.....	0E.00.7
REXROTH 8-WAY AUXILIARY CONTROL VALVE.....	0E.00.8
3 POINT HITCH.....	0E.00.9
3 POINT HITCH.....	0E.00.10
3-POINT HITCH - ADJUSTABLE RH RODS.....	0E.00.11
3-POINT HITCH - SIDE STABILIZERS.....	0E.00.12
3-POINT HITCH WITH HYDRAULIC LIFT ROD.....	0E.00.13
THREE-POINT HITCH - AUTOMATIC LATERAL STABILIZERS.....	0E.00.14
TOWING BAR.....	0E.00.15
FRONT TOWING HITCH.....	0E.00.16
FRONT TOWING HITCH.....	0E.00.17
REAR TOWING HITCH.....	0E.00.18
DRAWBAR COUPLING CAT: "D3".....	0E.00.19
REAR TOWING HITCH CAT: "D3" GRASSI.....	0E.00.20
REAR TOWING HITCH CAT: "D2" GRASSI.....	0E.00.21
DRAWBAR COUPLING - EXPORT CH (CRAMER).....	0E.00.22
DRAWBAR COUPLING - MM 38 (CRAMER).....	0E.00.23
DRAWBAR COUPLING - MM 32 (CRAMER).....	0E.00.24
REAR TOWING HITCH (GRASSI).....	0E.00.25
REAR OSCILLATING HITCH.....	0E.00.26
REAR OSCILLATING HITCH.....	0E.00.27
FRONT BALLAST 600 Kg.....	0E.00.28
BALLAST LOCK BAR.....	0E.00.29
FRONT WEIGHT CARRIER.....	0E.00.30
FRONT BALLAST n. 2.....	0E.00.31
FRONT BALLAST n. 4.....	0E.00.32
FRONT BALLAST n. 8.....	0E.00.33
WHEEL BALLAST.....	0E.00.34
WHEEL BALLAST.....	0E.00.35
HYDRAULIC BREAKING FOR TRAILER - ITALY -.....	0E.00.36
HYDRAULIC BREAKING FOR TRAILER - EXPORT F.....	0E.00.37
EQUIPMENT WITHOUT TRAILER BRAKING SYSTEM.....	0E.00.38
HYDRAULIC TRAILER BRAKING PARTS KIT ITALY.....	0E.00.39
LUBRICATOR.....	0E.00.40

CLICK HERE TO **DOWNLOAD** THE COMPLETE MANUAL

- Thank you very much for reading the preview of the manual.
- You can download the complete manual from: [www.heydownloads.com](http://www.heydownloads.com) by clicking the link below

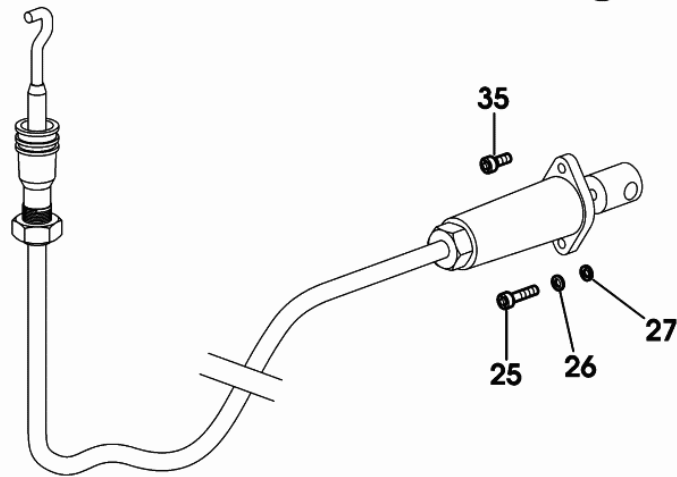
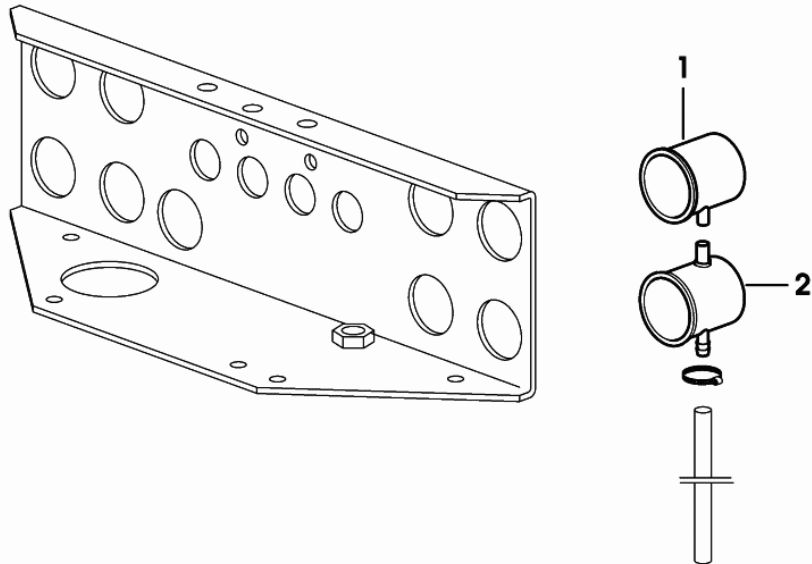


- Please note: If there is no response to CLICKING the link, please download this PDF first and then click on it.

CLICK HERE TO **DOWNLOAD** THE COMPLETE MANUAL

**REXROTH 6-WAY AUXILIARY CONTROL VALVE**

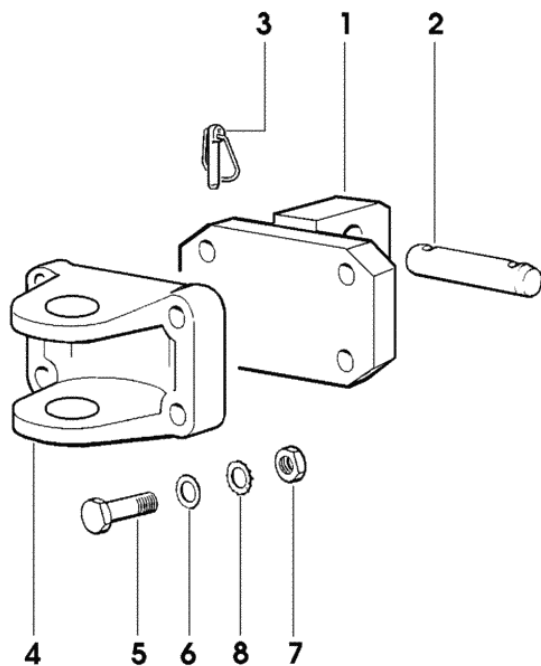
Fig.	Code	QTY	Name
1	0.009.3630.0	3	plug
2	0.009.3629.0	3	plug
25	2.0312.010.2	4	screw m 5 p.0.8x30
26	2.1474.006.2	6	spring washer 5
27	2.1310.001.2	6	flat washer 5.3
35	2.0312.004.2	2	screw m 5 p.0.8 x 10



9\_48888\_27\_0\_0

Section: ACCESSORIES  
**FRONT TOWING HITCH**

Fig.	Code	QTY	Name
1	0.009.3108.2	1	support
2	2.1669.024.2	1	pin 25.4 x 133
3	0.010.9322.4	2	pin Ø 11
4	0.96309.20.0/20	1	tow hook
5	2.0112.523.2	4	screw m 14 p.2x70
6	2.1310.009.2	4	flat washer 14
7	2.1011.108.2	4	nut m 14 p.2
8	2.1470.008.2	4	lock washer 14



9\_52652\_30\_0\_0

Section: ACCESSORIES  
**REAR OSCILLATING HITCH**

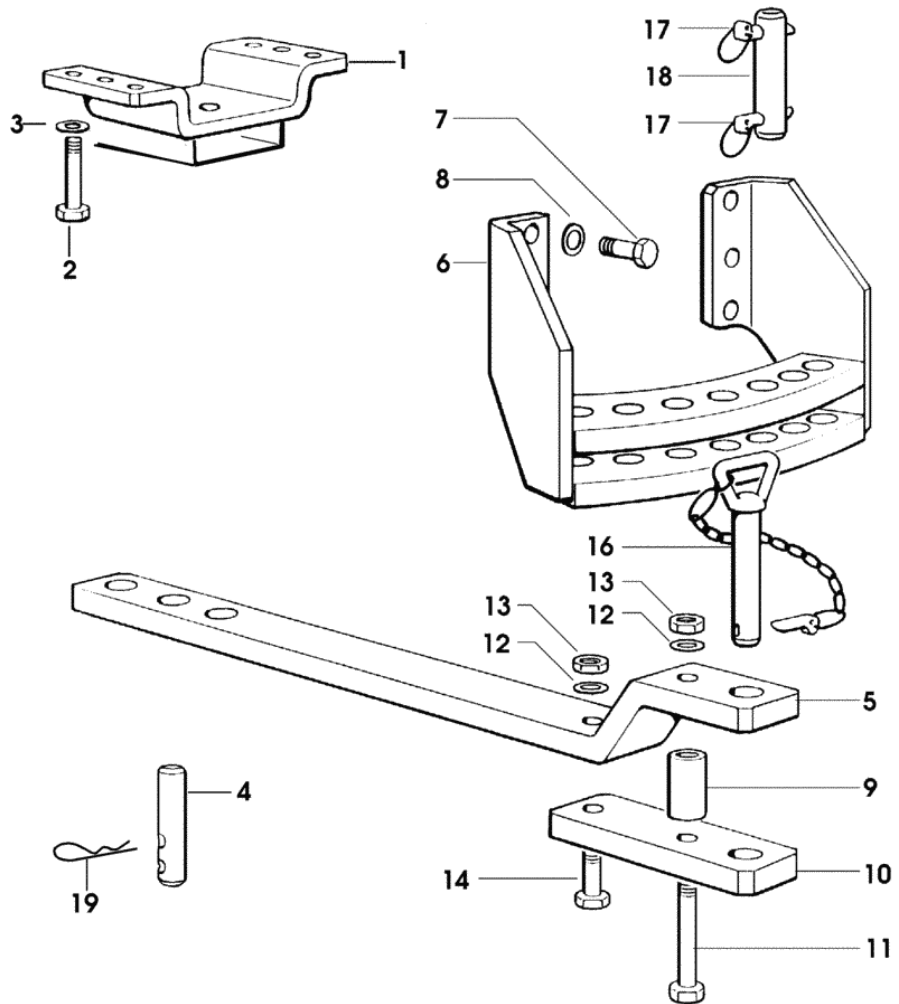


Fig.	Code	QTY	Name
1	0.008.0769.2/10	1	support
2	2.0112.615.2	6	screw m 16 p.2 x 40
3	2.1499.019.6	6	washer 16.3 x 31.5
4	2.1679.090.2	1	pin
5	0.97308.20.0	1	draw bar
6	0.97318.10.2	1	sector
7	2.0112.620.2	6	screw m 16 p.2x55
8	2.1499.019.6	6	washer 16.3 x 31.5
9	2.1579.233.2	1	spacer 18x35x75
10	0.97308.52.0	1	plate
11	2.0112.641.2	1	screw m 16 p.2x160
12	2.1499.019.6	2	washer 16.3 x 31.5
13	2.1011.109.2	2	nut m 16 p.2
14	2.0112.626.2	1	screw m 16 p.2x85
16	0.97306.30.3	1	pin
17	0.010.9322.4	4	pin Ø 11
18	2.1669.031.2	2	pin
19	2.1699.072.2	1	pin

9\_49231\_35\_0\_0

Section: ACCESSORIES

HYDRAULIC BREAKING FOR TRAILER - ITALY -

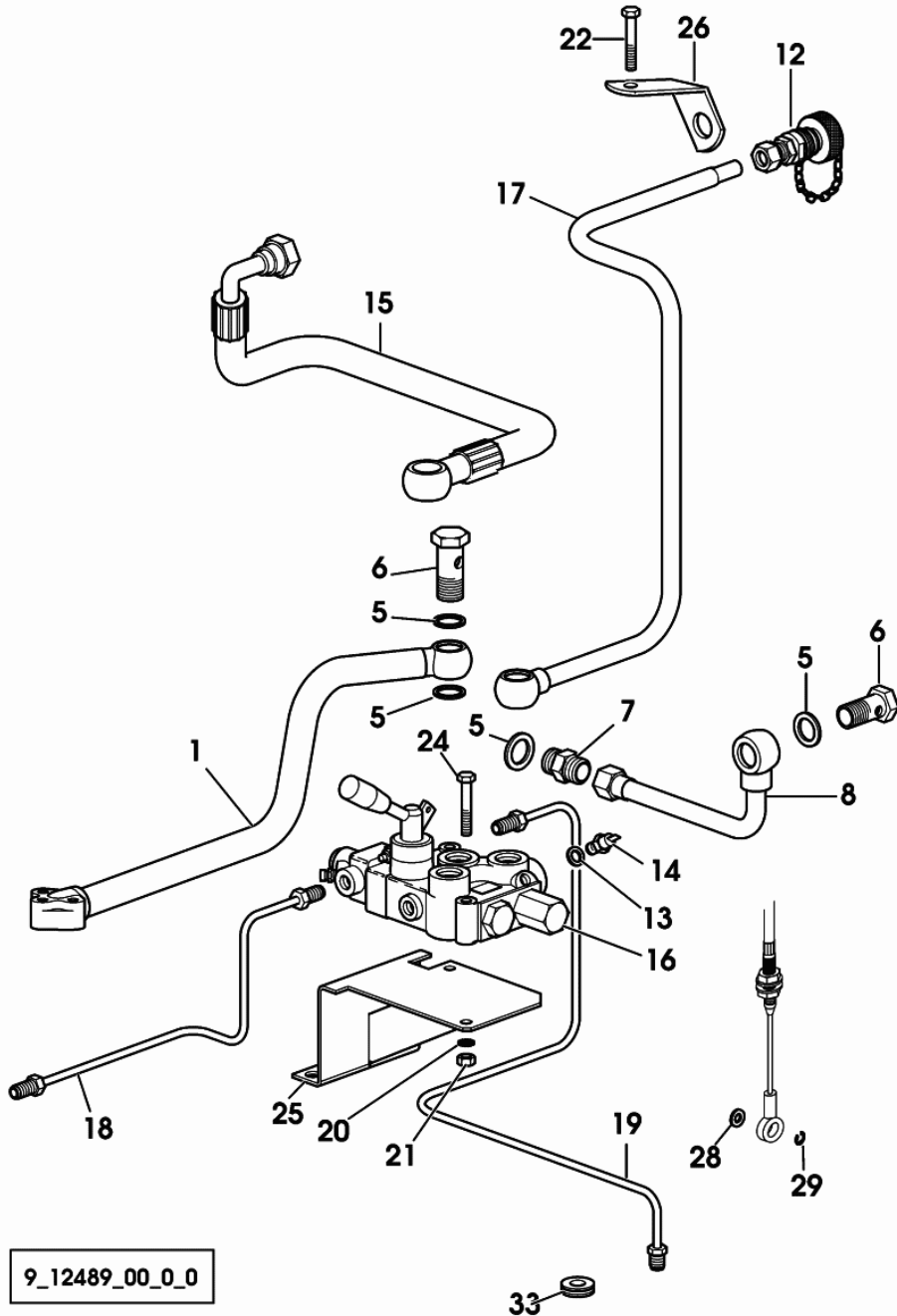


Fig.	Code	QTY	Name
1	0.011.2832.3	1	tube
5	2.1560.017.0	9	gasket 22.2 x 27
6	2.3335.009.2	4	pipe union m 22 p.1.5 x 39
7	2.3261.012.2	1	pipe fitting m 22 p.1.5-7/8"
8	0.011.3242.3	1	tube
12	0.97112.68.4	1	coupling
13	2.1560.006.0	1	gasket 10.2 x 16
14	2.7099.960.0	1	pressure switch 11 Bar
15	0.011.3653.3	1	tube
16	2.3719.400.0/40	1	valve
			COMPONENT PARTS SEE COMPONENTS LIST
			☞ 2.3719.400.0/40
			☞ 0E.00.79
17	0.009.2238.3/30	1	tube
18	0.009.2305.3	1	tube
19	0.009.3315.3	1	tube
20	2.1470.004.2	2	washer 8
21	2.1011.105.2	2	nut m 8 p.1.25
22	2.0112.320.2	1	screw m 10 p.1.5 x 55
24	2.0112.219.2	2	screw m 8 p.1.25x50
25	0.011.3579.2	1	bracket
26	0.009.3421.0	1	support
28	2.1310.004.2	1	flat washer 8.5
29	2.1430.007.7	1	circlip 6, d128
33	2.6560.006.0	1	wire guide 12x1.5

9\_12489\_00\_0\_0

Section: BODY WORK  
HOOD

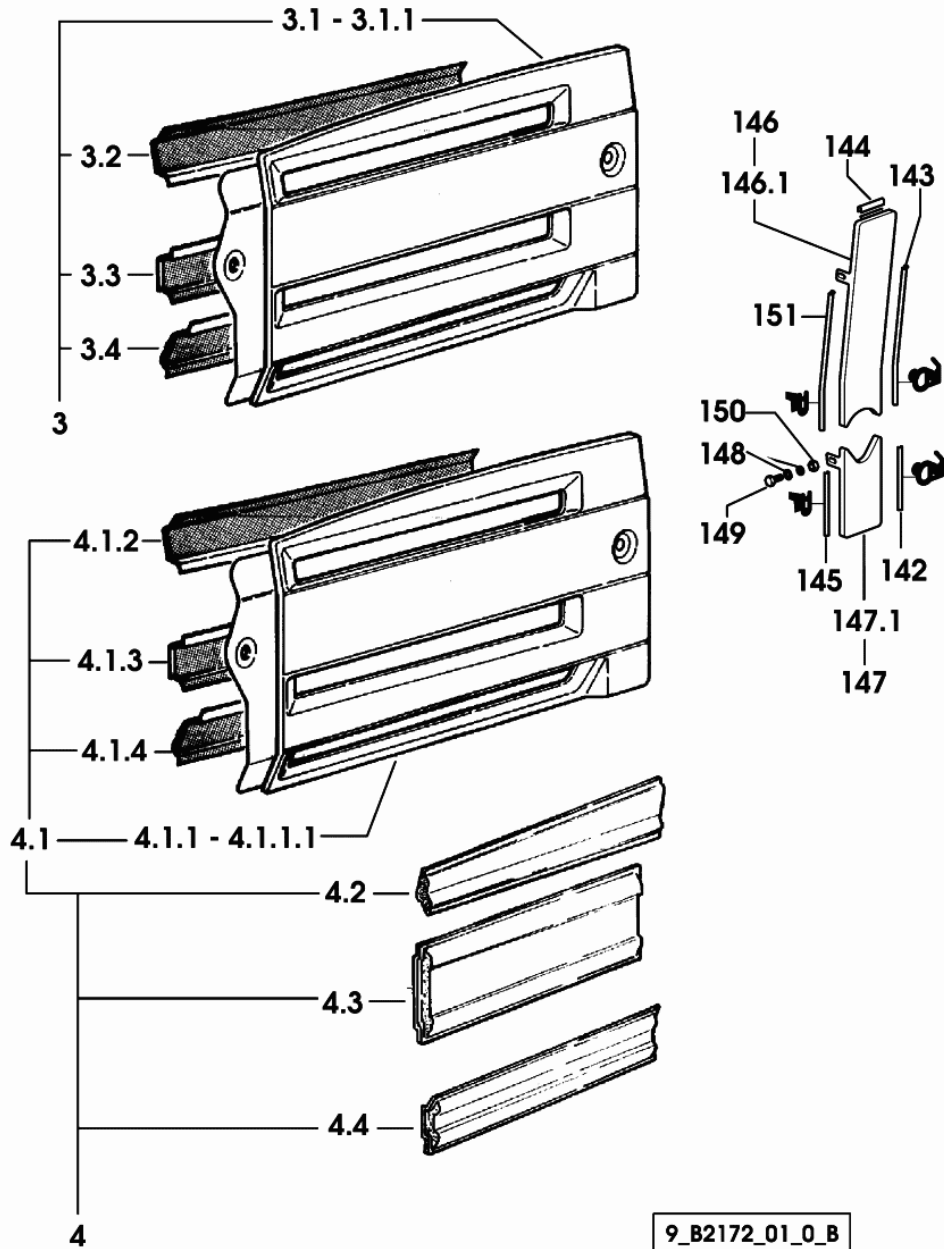
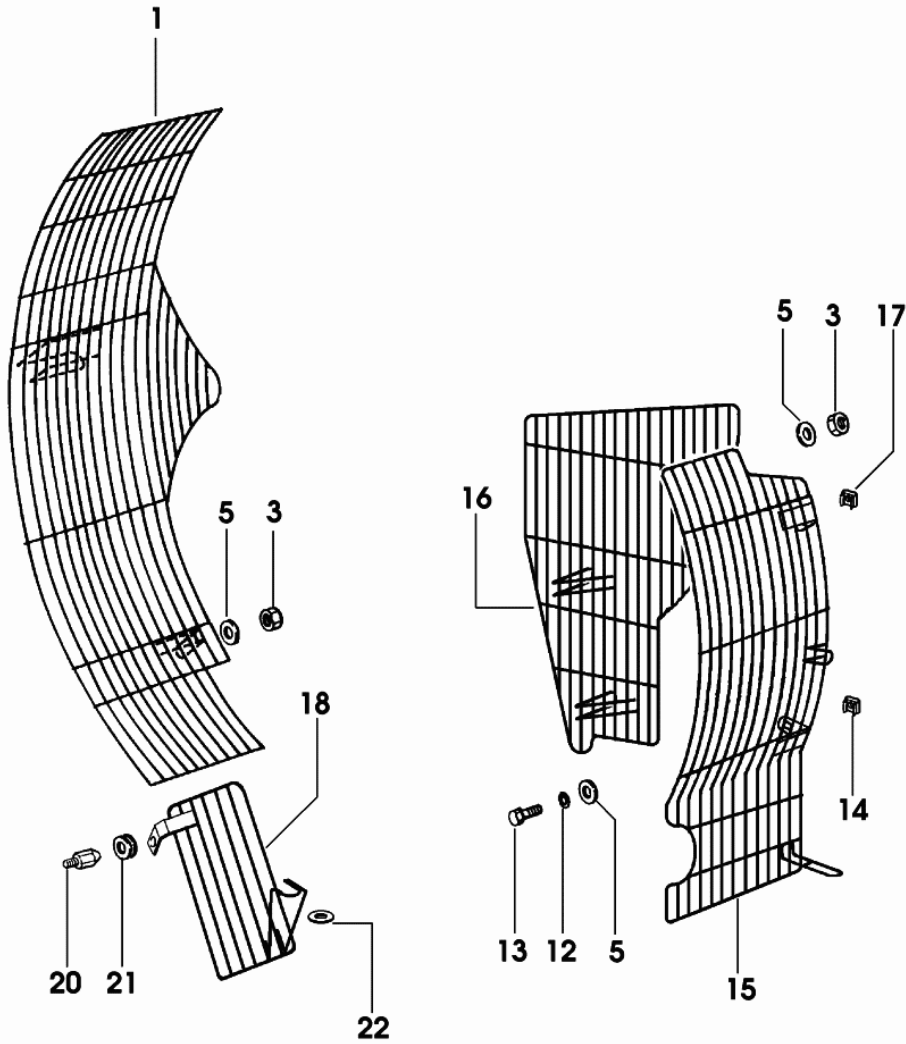


Fig.	Code	QTY	Name
3	0.000.0000.1	0	not serviceable
3.1	0.000.0000.1	0	not serviceable
3.1.1	0.008.3540.3	1	right h.side panel dx/rh/re
3.2	0.009.0181.0/10	1	grille dx/rh/re
3.3	0.009.0183.0/10	1	grille dx/rh/re
3.4	0.009.0185.0/20	1	grille dx/rh/re
4	0.000.0000.1	0	not serviceable
4.1	0.000.0000.1	0	not serviceable
4.1.1	0.000.0000.1	0	not serviceable
4.1.1.1	0.008.3348.3/10	1	lift hand side panel sx/lh/li
4.1.2	0.009.0176.0/10	1	grille sx/lh/li
4.1.3	0.009.0178.0/10	1	grille sx/lh/li
4.1.4	0.009.0180.0/20	1	grille sx/lh/li
4.2	0.009.1372.0	1	sound deadening
4.3	0.009.1397.0	1	sound deadening
4.4	0.009.1398.0	1	sound deadening
142	0.011.0132.0/20	1	gasket
143	0.011.0137.0/10	1	gasket
144	0.011.0115.0	1	gasket
145	0.011.4643.0/10	1	gasket
146	0.000.0000.1	0	not serviceable
146.1	0.011.0169.3/20	1	lift hand side panel
147	0.000.0000.1	0	not serviceable
147.1	0.011.0170.2/10	1	lift hand side panel
148	2.1470.004.2	8	washer 8
149	2.0112.207.2	1	screw m 8 p 1.25 x 20
150	2.1011.105.2	4	nut m 8 p.1.25
151	0.011.4645.0/10	4	gasket

**BELT GUARDS - FOR MODELS WITH COMPRESSOR**

Fig.	Code	QTY	Name
1	0.009.1613.2/40	1	shield dx/rh/re
3	2.1011.105.2	2	nut m 8 p.1.25
5	2.1310.004.2	6	flat washer 8.5
12	2.1470.002.2	4	washer 6, d128
13	2.0112.007.2	4	screw m 6 p.1 x 20
14	2.6999.031.2	1	special nut m 6
15	0.009.2650.2/30	1	shield
16	0.009.2649.2/10	1	shield sx/lh/li
17	2.6999.003.2	3	special nut m 6
18	0.009.3539.2/10	1	shield dx/rh/re
20	0.467.7250.0/10	1	pin
21	2.6560.006.0	1	wire guide 12x1.5
22	2.1579.154.2	1	spacer 10.5x16x3



9\_50672\_07\_0\_0

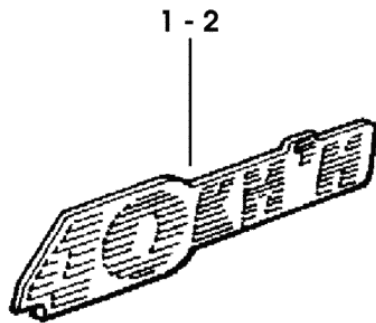
Section: BODY WORK  
SPEED LABEL - 40 KM/H

Fig.	Code	QTY	Name
------	------	-----	------

## Notes:

(..) &lt;- X SILVER 160 (..) &lt;- X SILVER 180

1	0.008.2962.2	1	plate sx/lh/li
2	0.008.2963.2	1	plate dx/rh/re



9\_54672\_02\_0\_0

**SELF-ADJUSTING FRONT FENDERS - MM 520**

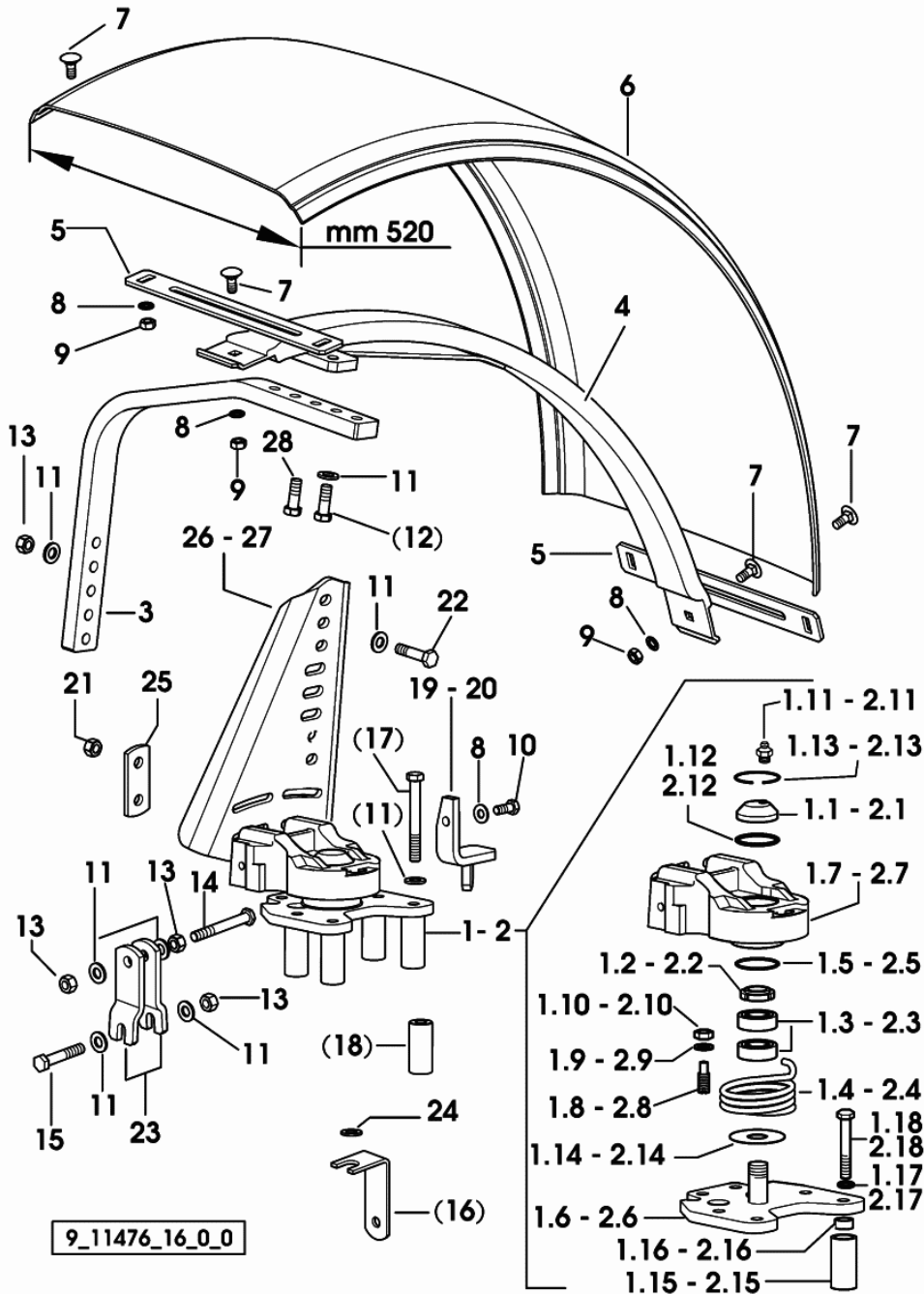
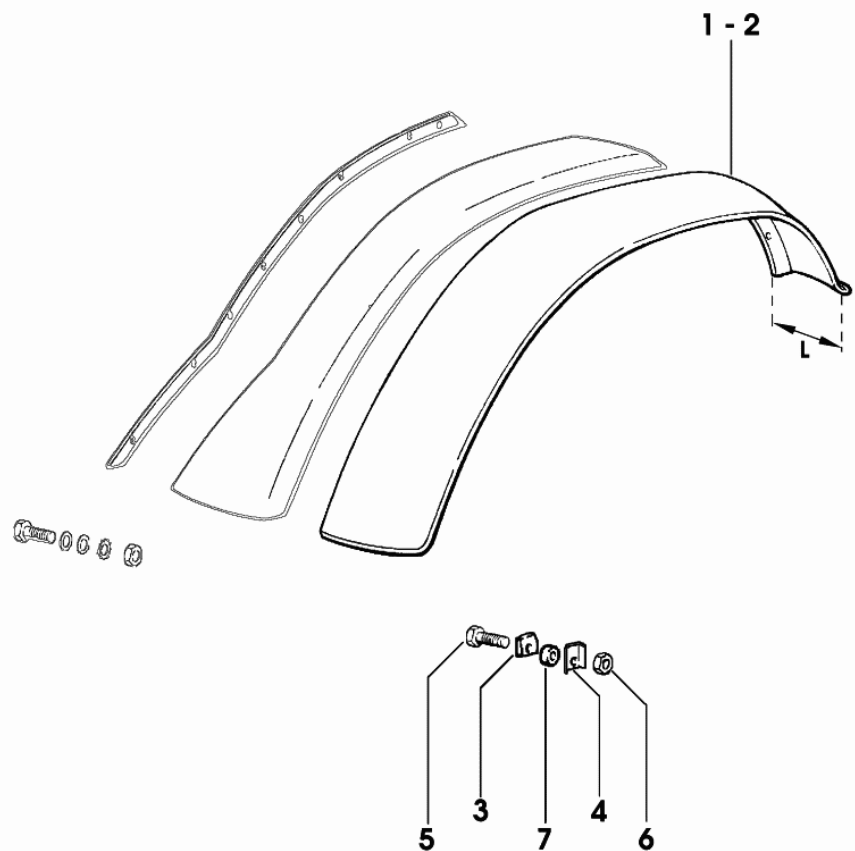


Fig.	Code	QTY	Name
1	0.012.2772.4/20	1	hub dx/rh/re
1.1	0.012.3201.0/10	1	cover
1.2	2.1220.006.2	1	ring nut m 25 x 1,5
1.3	2.2999.446.0	1	bearing
1.4	2.4099.142.2	1	spring dx/rh/re
1.5	2.1530.140.0	1	rubber ring 56.82x2.62
1.6	0.000.0000.1	0	not serviceable
1.7	0.000.0000.1	0	not serviceable
1.8	2.0599.113.2	1	grain m 14 p.1.5
1.9	2.1475.005.2	1	washer 14
1.10	2.1011.508.2	1	nut m 14 p.1.5
1.11	2.3820.101.2	1	lubricator m 6 p.1 x 5
1.12	2.1530.137.0	1	circlip 55.25x2.62
1.13	2.1429.066.2	1	ring
1.14	2.1589.486.2	1	ring
1.15	2.1549.556.2	4	spacer 19x27x70
1.16	0.013.1841.0	4	spacer 8x22x10
1.17	2.1475.004.2	4	washer 12
1.18	2.0112.429.2	4	screw m 12 p.1.75x100
2	0.012.2773.4/20	1	hub sx/lh/li
2.1	0.012.3201.0/10	1	cover
2.2	2.1220.006.2	1	ring nut m 25 x 1,5
2.3	2.2999.446.0	2	bearing
2.4	2.4099.143.2	1	spring sx/lh/li
2.5	2.1530.140.0	1	rubber ring 56.82x2.62
2.6	0.000.0000.1	0	not serviceable
2.7	0.000.0000.1	0	not serviceable
2.8	2.0599.113.2	1	grain m 14 p.1.5
2.9	2.1475.005.2	1	washer 14
2.10	2.1011.508.2	1	nut m 14 p.1.5
2.11	2.3820.101.2	1	lubricator m 6 p.1 x 5
2.12	2.1530.137.0	1	circlip 55.25x2.62
2.13	2.1429.066.2	1	ring
2.14	2.1589.486.2	1	ring
2.15	2.1549.556.2	4	spacer 19x27x70
2.16	0.013.1841.0	4	spacer 8x22x10
2.17	2.1475.004.2	4	washer 12
2.18	2.0112.429.2	4	screw m 12 p.1.75x100
3	0.012.3198.0/10	2	arm
4	0.012.2774.3/10	2	support
5	0.012.3223.0	4	plate
6	0.011.0966.0	2	fender mm 520
7	2.0020.306.2	12	screw m 10 x 25
8	2.1475.003.2	14	washer 10

Section: BODY WORK  
**EXTENSION FOR WING L = 220**

Fig.	Code	QTY	Name
1	0.009.0678.0/20	1	extension sx/lh/li
2	0.009.0679.0/20	1	extension dx/rh/re
3	0.009.0676.0	12	small block
4	0.009.0677.0/10	12	brace
5	2.0112.209.2	12	screw m 8 p 1.25 x 25
6	2.1011.105.2	12	nut m 8 p.1.25
7	2.1579.774.2	12	spacer 8.4x12x6.5



9\_52676\_26\_0\_0

Section: BODY WORK  
**FUEL SYSTEM - FIXED TANK**

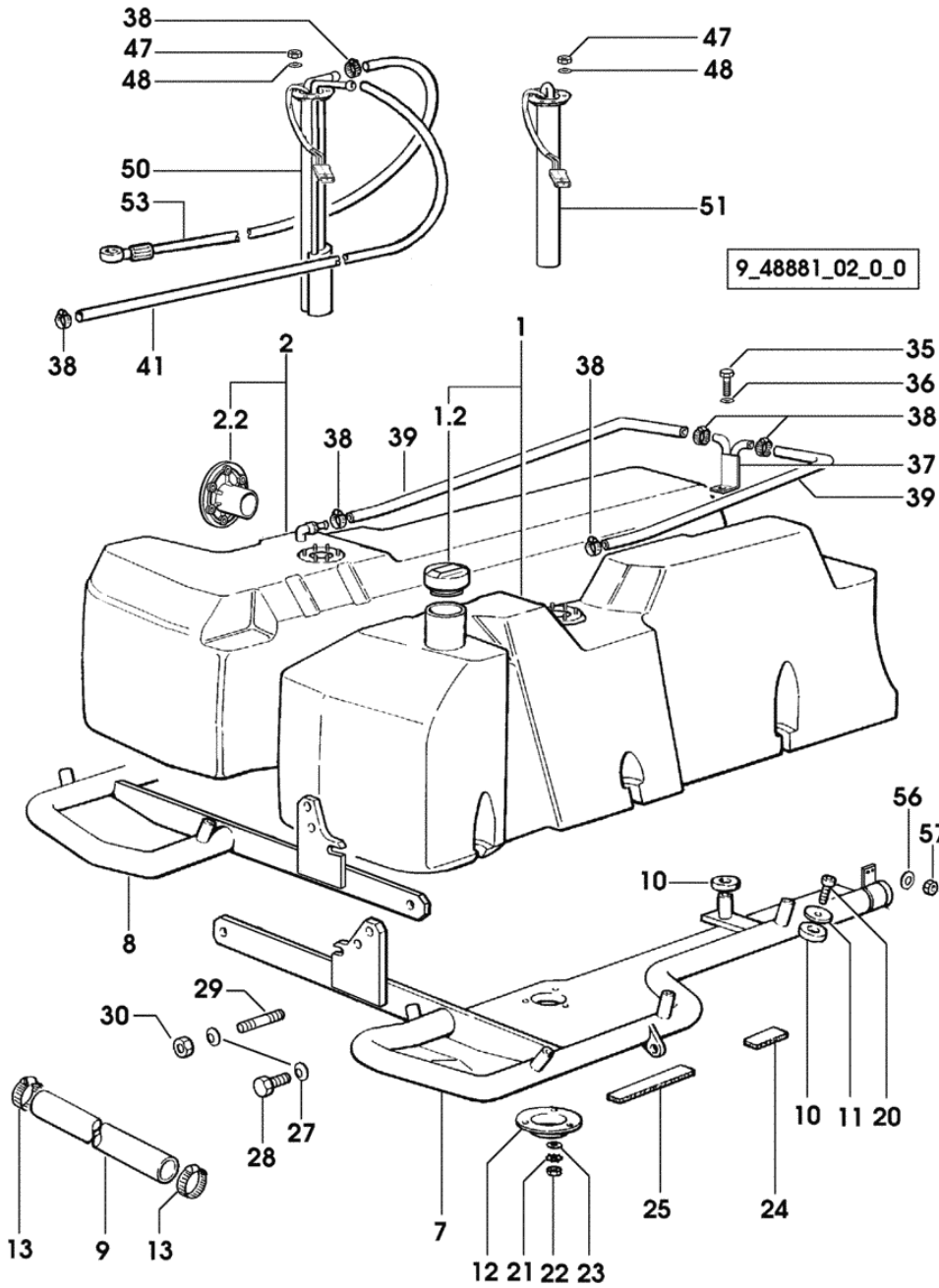
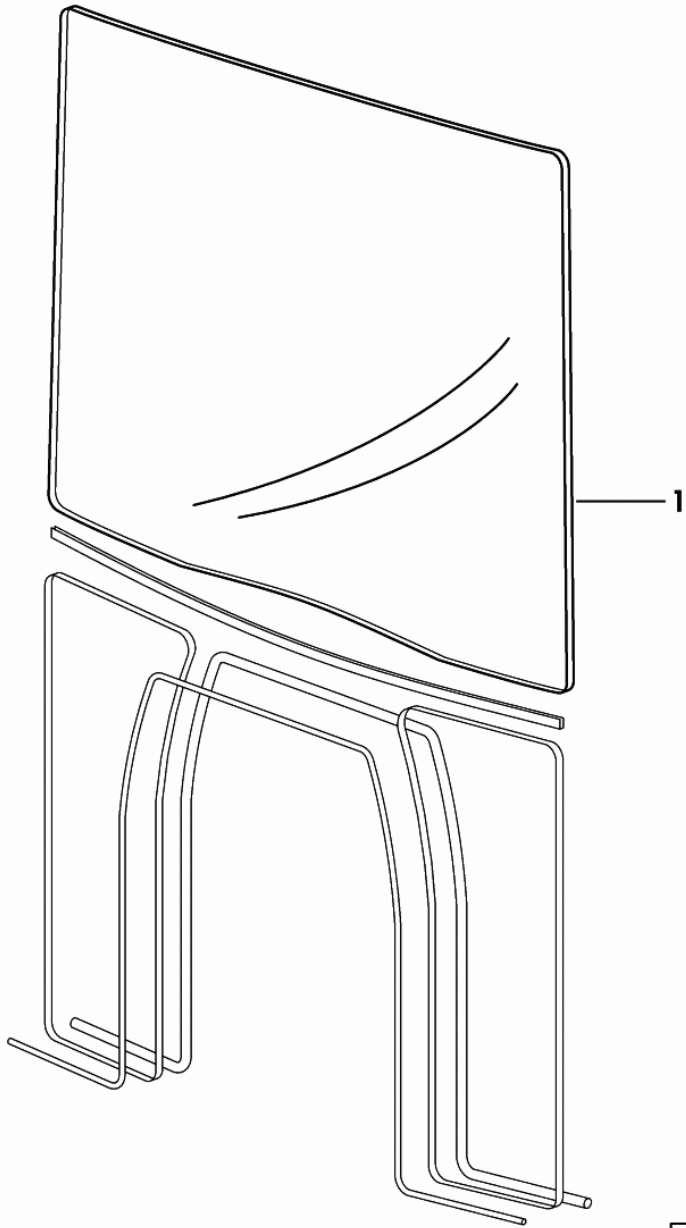


Fig.	Code	QTY	Name
1	0.009.3136.4/80	1	tank sx/lh/li
1.2	0.012.5978.4	1	plug
2	0.009.3134.4/60	1	tank dx/rh/re
2.2	0.009.2799.4/30	1	valve
7	0.007.7120.3/20	1	support sx/lh/li
8	0.007.7112.3/20	1	support dx/rh/re
9	0.009.2803.0	1	tube
10	2.1569.161.0	29	gasket 20x50x6
11	2.1599.354.2	10	washer 12.5x50x3
12	0.008.9213.0	2	complete cover
13	2.6850.011.0	2	clamp 50-70
20	2.0312.406.2	10	screw m 12 p.1.75 x 20
21	2.1470.002.2	6	washer 6, d128
22	2.1011.103.2	6	nut m 6 p.1
23	2.1310.002.2	6	washer 6.6, d125
24	0.009.3110.0	10	shim
25	0.009.3109.0	6	shim
27	2.1475.006.6	6	washer 16x32
28	2.0112.615.2	5	screw m 16 p.2 x 40
29	2.0422.609.2	1	stud bolt m 16 p.2x35
30	2.1011.109.2	1	nut m 16 p.2
35	2.0112.204.2	1	screw m 8 p.1.25x14
36	2.1470.004.2	1	washer 8
37	0.009.2868.2	1	tube
38	2.6850.002.0	7	clamp 12-22
39	0.012.6449.0	0	tube
41	0.012.6451.0	0	tube Ø mm 8/15
47	2.1011.101.2	12	nut m 4 p.0.7
48	2.1470.052.2	12	lock washer 4
50	2.7059.840.0/10	1	level indicator
51	2.7059.850.0/10	1	level indicator
53	0.007.6792.3	1	tube mm 1100
56	2.1310.009.2	2	flat washer 14
57	2.1011.308.2	2	nut m 14 p.1.5

Section: CAB  
**WINDSCREEN**

Fig.	Code	QTY	Name
1	0.009.0300.0	1	tempered glass - OUGHENED GLASS

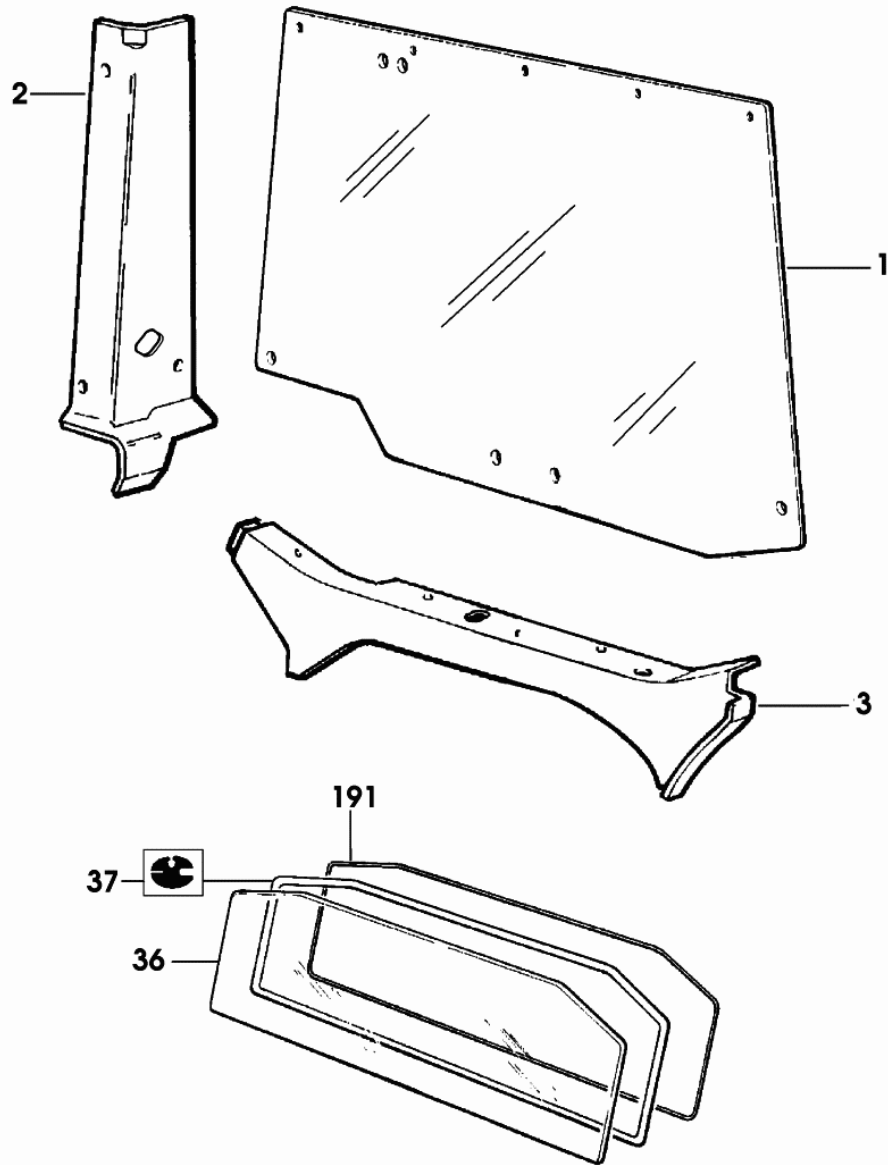


9\_52671\_11\_0\_0

Section: CAB

**GLASSES AND SEALS**

Fig.	Code	QTY	Name
1	0.007.7338.0/10	1	glass
2	0.010.0136.0/60	1	cover dx/rh/re
3	0.010.0135.0/40	1	lining
36	0.007.5312.0/20	1	glass
37	0.007.5311.0	1	profile
191	0.9234.246.0/10	1	profile



9\_73171\_27\_0\_A

Section: CAB

**INTERIOR TRIM**

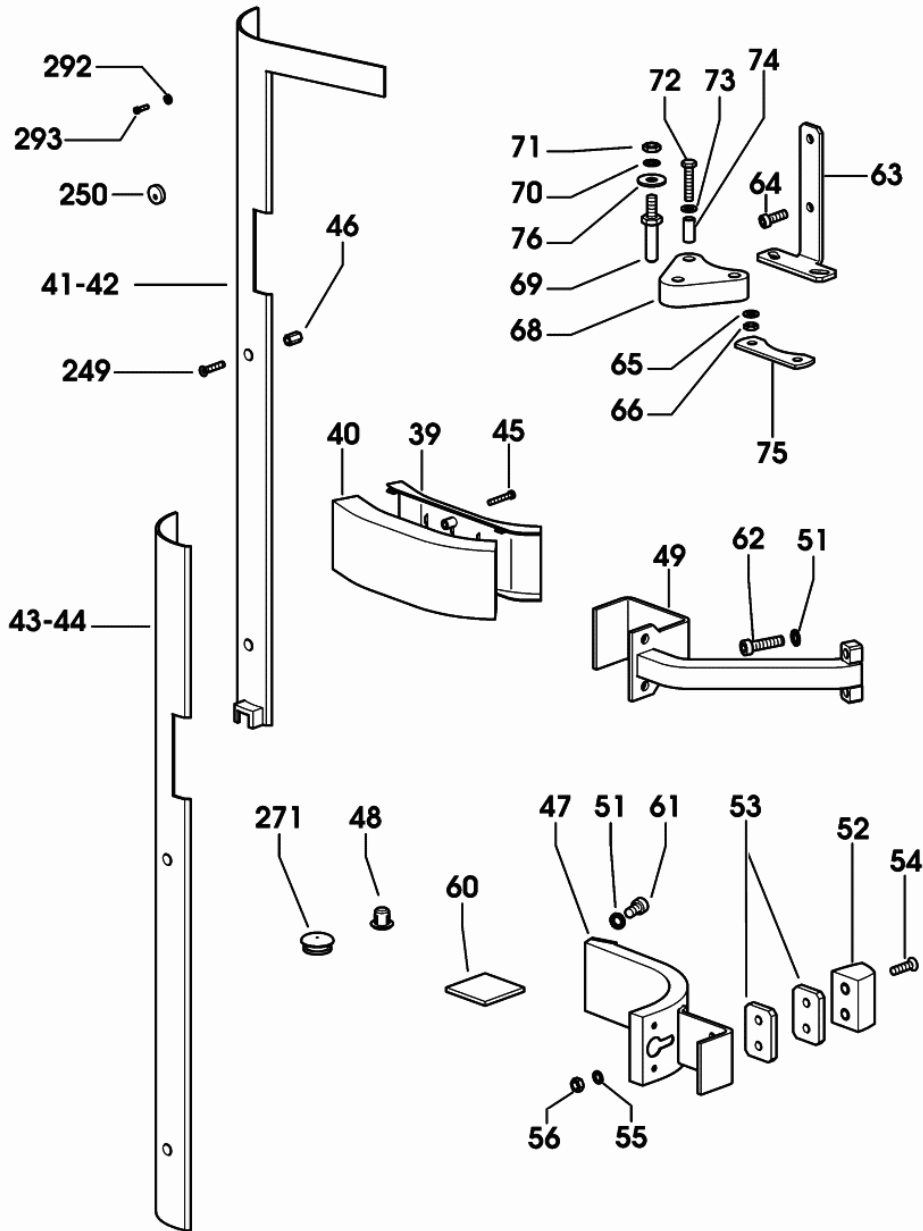


Fig.	Code	QTY	Name
39	0.008.2592.0/10	1	cover
40	0.008.2593.0/10	1	cover
41	0.010.1249.0	1	cover sx/lh/li
42	0.010.1251.0	1	cover dx/rh/re
43	0.008.2573.0/20	1	cover sx/lh/li
44	0.008.2576.0/20	1	cover dx/rh/re
45	2.0399.179.3	2	screw 4.8x32
46	2.1142.010.2	12	insert m 6
47	0.011.0112.2/10	1	lamp support sx/lh/li
48	2.3199.126.0/10	4	plug mm 15
49	0.010.0585.3/10	1	lamp support
51	2.1480.015.1	4	washer 10
52	0.010.0219.2/10	2	rubber plug
53	0.010.1339.0	4	spacer
54	2.0312.210.2	4	screw m 8 p 1.25 x 30
55	2.1474.009.2	4	spring washer 8
56	2.1011.105.2	4	nut m 8 p.1.25
60	0.009.3195.0	1	plug
61	2.0312.306.2	2	screw m 10 p.1.5 x 20
62	2.0312.314.2	2	screw m 10 p.1.5 x 40
63	0.011.3124.0	1	bracket
64	2.0362.308.3	2	screw m 8 x 25
65	2.1310.004.2	2	flat washer 8.5
66	2.1011.105.2	2	nut m 8 p.1.25
68	0.010.8826.0	1	anti-vibration mounting
69	2.1699.493.2	1	pin
70	2.1470.006.2	1	lock washer 10
71	2.1011.106.2	1	nut m 10 p.1.5
72	2.0112.215.2	2	screw m 8 p.1.25 x 40
73	2.1310.004.2	2	flat washer 8.5
74	2.1549.391.2	2	spacer 8.4x12x25
75	0.010.8827.0	1	small plate
76	2.1312.005.2	1	washer 10.2
249	2.0312.110.2	12	screw m 6 p.1x30
250	0.009.0541.0	12	plug
271	0.9241.563.0	1	plug 30x35x13.5
292	0.010.1292.0	2	small disc
293	2.0332.206.3	2	screw m 4 p.0.5x16

9\_B2171\_20\_0\_A

Section: CAB

ROOF COVERING FOR SKYLIGHT

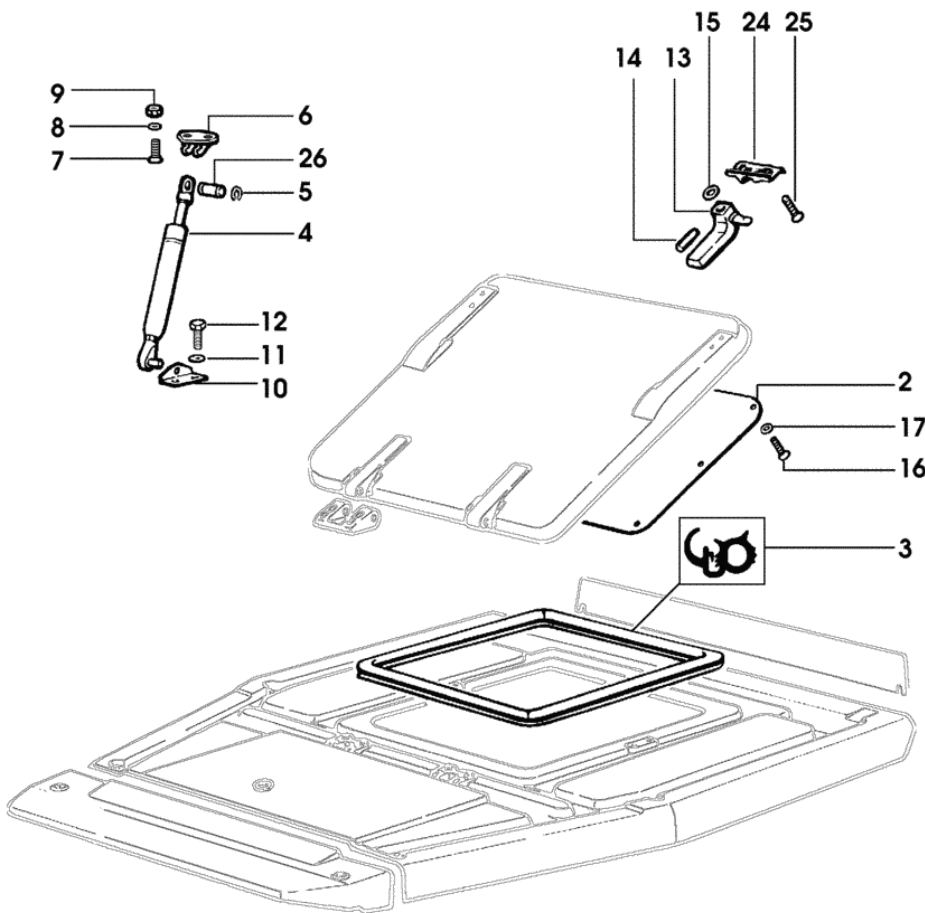


Fig.	Code	QTY	Name
2	0.009.0400.2	1	lining
3	0.9234.379.0/20	1	gasket
4	0.9234.373.4	2	shoch.absorber
5	2.1410.063.1	2	circlip 8
6	0.9234.371.0	2	small block
7	2.0342.208.3	4	screw m 6 p.1x30
8	2.1310.003.2	4	flat washer 7.4x14
9	2.1120.003.2	4	nut m 6
10	0.9234.375.3	2	square
11	2.1470.002.2	2	washer 6, d128
12	2.0112.005.2	4	screw m 6 p.1 x 16
13	0.9234.384.3/10	1	handle
14	2.1630.111.0	1	roll pin 2.5x24
15	2.1599.478.0	1	snoulder 13x28x1
16	2.0399.174.3	10	screw 4.8x16
17	2.1599.573.0	18	washer 5.4
24	0.008.2742.0	1	contact surface
25	2.0342.203.3	2	screw m 6 p.1.0 x 16
26	2.1699.285.2/20	2	pin

9\_B2171\_20\_0\_C

9\_B2186\_20\_0\_B

SILVER 160

Ref.: 0B.00.42

Section: CAB

**VENTILATION - AIR CONDITIONING**

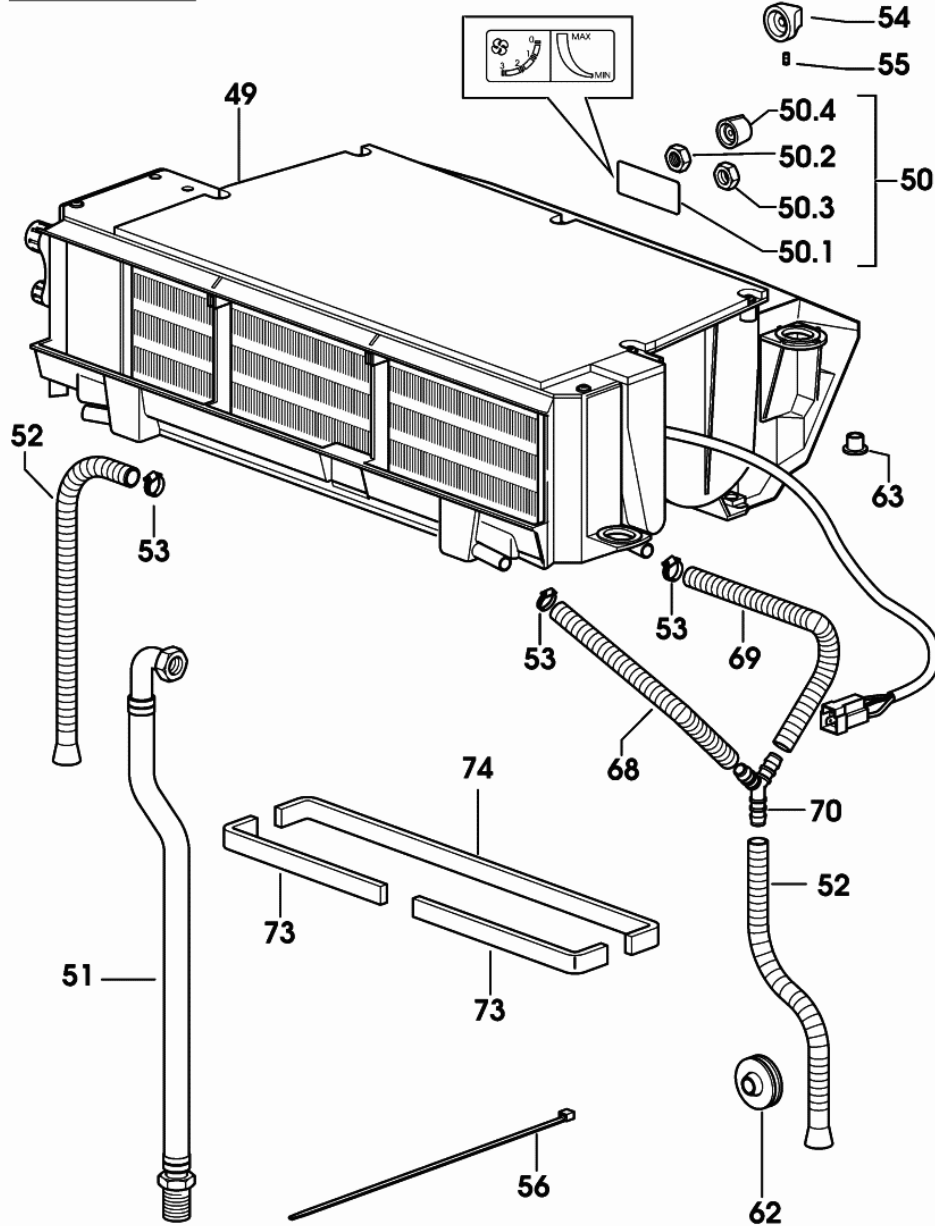
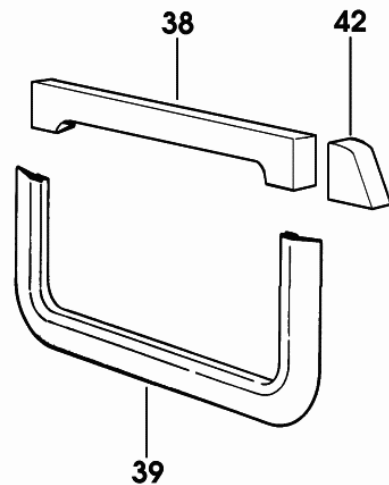
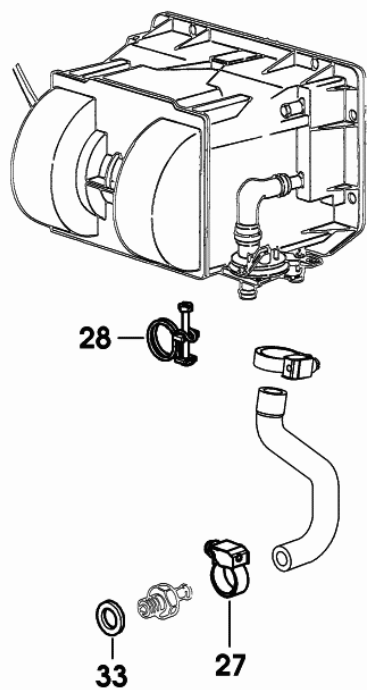


Fig.	Code	QTY	Name
49	0.007.6840.4/20	1	climatization kit COMPONENT PARTS SEE COMPONENTS LIST ☞ 0.007.6840.4/20 ☞ 0B.00.52
50	0.009.0457.4/10	1	control grp.
50.1	0.009.0697.0/10	1	plate
50.2	2.1019.081.0	1	nut m 11 p.1.25
50.3	2.1019.088.0	1	special nut m 11 p.0.75
50.4	0.009.0699.2	1	knob
51	0.007.7977.3/20	1	tube
52	0.011.6177.3	2	exhaust
53	2.6850.002.0	4	clamp 12-22
54	0.009.0950.0/10	2	knob
55	2.0599.073.1	2	screw m 4 x 8
56	0.98503.67.0	7	clamp
62	2.6569.035.0/10	1	wire guide 15x30x10
63	2.1142.005.2	2	insert m 8
68	0.011.6180.0	2	tube mm 205
69	0.011.6179.0	2	tube mm 235
70	0.011.6181.0	2	pipe fitting
73	0.011.6199.0	2	gasket
74	0.011.6200.0	1	gasket

**VENTILATION - HEATING OVERSIZE**

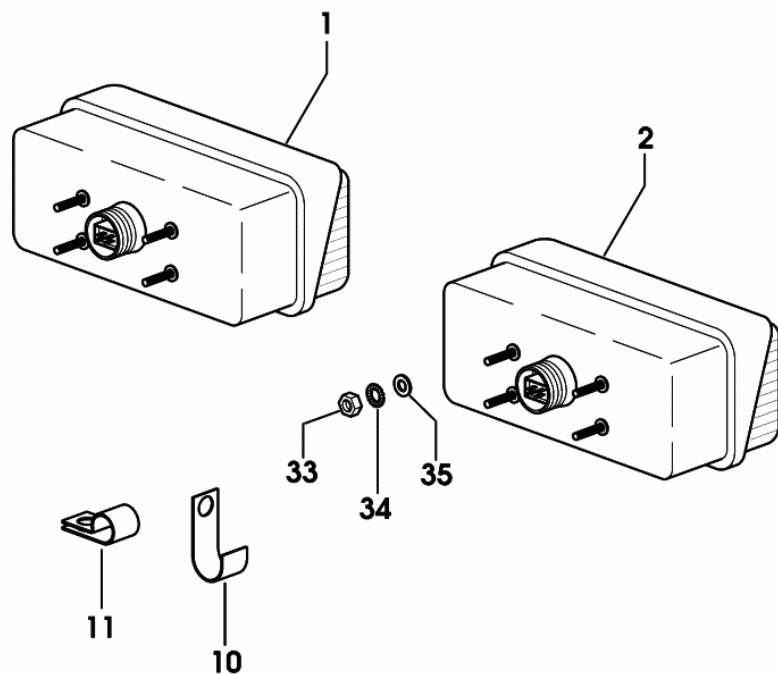
Fig.	Code	QTY	Name
27	2.6851.002.0	1	clamp Ø 20/32
28	2.6859.102.0	1	clamp Ø 18.5/22
33	2.1560.054.0	1	gasket 21 x 26
38	0.008.9452.0/10	1	gasket
39	0.008.9451.0/20	1	gasket
42	0.008.9453.0	2	block



9\_62186\_13\_0\_0

**REAR LIGHT**

Fig.	Code	QTY	Name
1	2.8019.980.0/20	1	lamp dx/rh/re COMPONENT PARTS SEE COMPONENTS LIST ☞ 2.8019.980.0/20 ☞ 08.00.37
2	2.8019.990.0/20	1	lamp sx/lh/li COMPONENT PARTS SEE COMPONENTS LIST ☞ 2.8019.990.0/20 ☞ 08.00.38
10	2.6819.004.2	3	clamp Ø 17
11	2.6839.024.2	1	clamp
33	2.1011.103.2	8	nut m 6 p.1
34	2.1470.002.2	8	washer 6, d128
35	2.1310.002.2	8	washer 6.6, d125



9\_62085\_00\_0\_0

Section: ELECTRIC AL SYSTEM  
**ELECTRIC STARTING SYSTEM**

9\_49284\_03\_0\_A

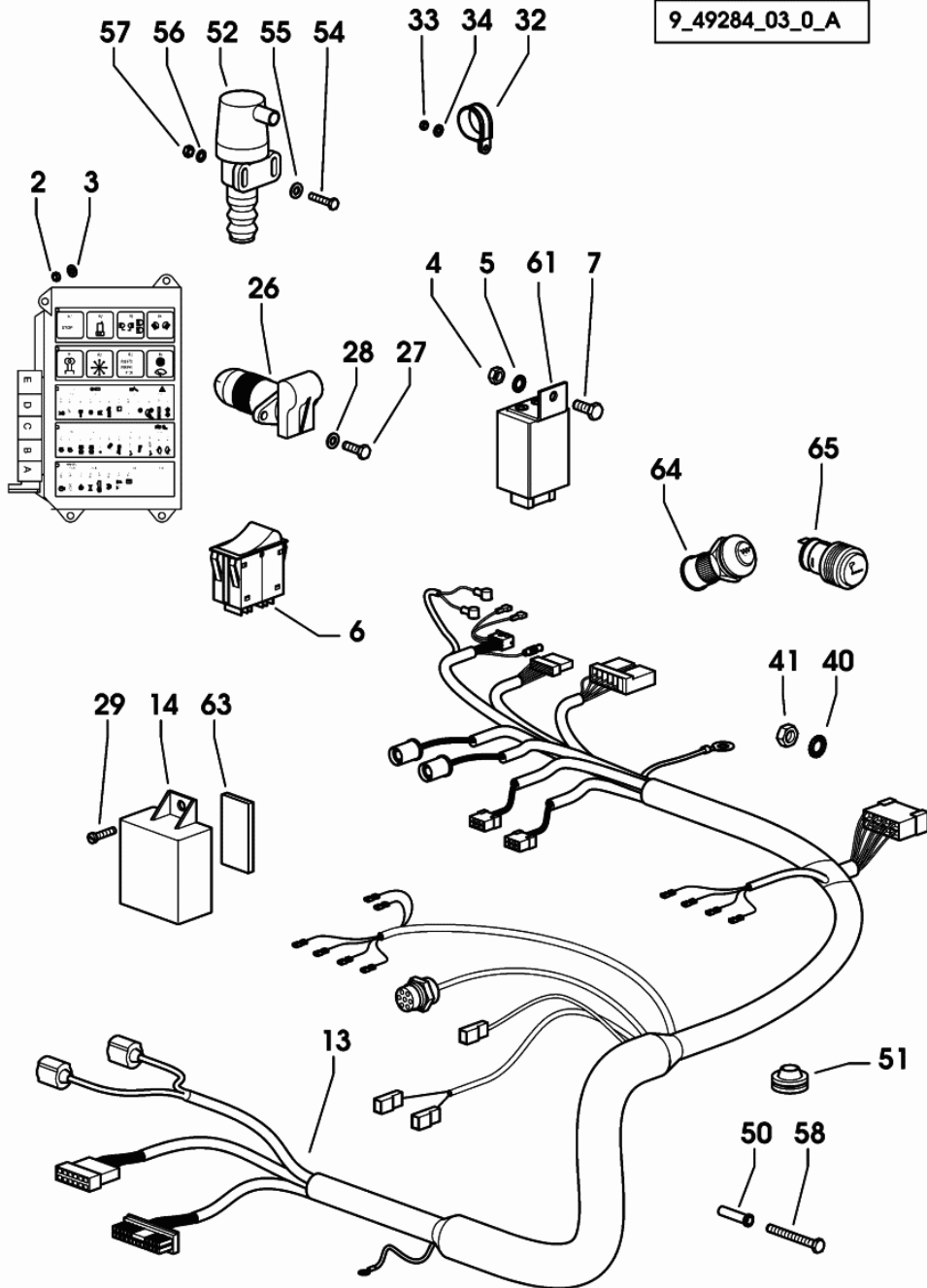
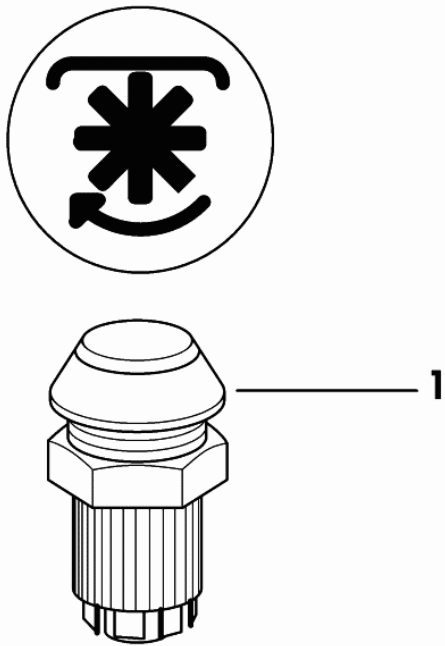


Fig.	Code	QTY	Name
2	2.1011.103.2	4	nut m 6 p.1
3	2.1310.002.2	4	washer 6.6, d125
4	2.1011.103.2	1	nut m 6 p.1
5	2.1470.002.2	1	washer 6, d128
6	2.7659.080.0	1	switch
7	2.0112.005.2	1	screw m 6 p.1 x 16
13	0.011.1369.4/30	1	electrical system 3506 <- X SILVER 160 1513 <- X SILVER 180
13	0.011.1369.4/40	1	electrical system >- 3507 X SILVER 160 >- 1514 X SILVER 180
14	0.010.1796.4/20	1	electronic unit
26	2.6032.011.0	1	socket COMPONENT PARTS SEE COMPONENTS LIST ☞ 2.6032.011.0 ☞ 08.00.42
27	2.0399.167.3	2	screw m 5 p.0.8 x 14
28	2.1310.001.3	2	washer 5.3 x 10
29	2.0399.175.3	4	screw m 4.2 x 19 -AB-
32	2.6839.051.0	1	clamp 20/20
33	2.1011.103.2	1	nut m 6 p.1
34	2.1310.002.2	1	washer 6.6, d125
40	2.1470.004.2	1	washer 8
41	2.1011.105.2	1	nut m 8 p.1.25
50	2.1142.003.2	3	nut m 5
51	2.6569.034.0	2	grommet 24x13x13.5
52	2.7649.100.0	1	switch
54	2.0332.207.2	2	screw m 4 p.0.7 x 20
55	2.1310.001.2	2	flat washer 5.3
56	2.1470.052.2	2	lock washer 4
57	2.1011.101.2	2	nut m 4 p.0.7
58	2.0312.015.2	3	screw m 5 p.0.8x45
61	2.8639.007.0	1	intermitent switch
63	0.011.3567.3	1	guard
64	2.7659.142.0	1	push-button
65	2.7099.770.0	1	cigar lighter

Section: ELECTRIC AL SYSTEM  
**SWITCH - FOR P.T.O. FRONT**

Fig.	Code	QTY	Name
1	2.7659.108.0/10	1	switch P.T.O.



9\_52684\_05\_0\_0

CLICK HERE TO **DOWNLOAD** THE COMPLETE MANUAL

- Thank you very much for reading the preview of the manual.
- You can download the complete manual from: [www.heydownloads.com](http://www.heydownloads.com) by clicking the link below



- Please note: If there is no response to CLICKING the link, please download this PDF first and then click on it.

CLICK HERE TO **DOWNLOAD** THE COMPLETE MANUAL

**ALTERNATOR MOUNTINGS - FOR TYPES WITH HEATING AND AIR  
CONDITIONING**

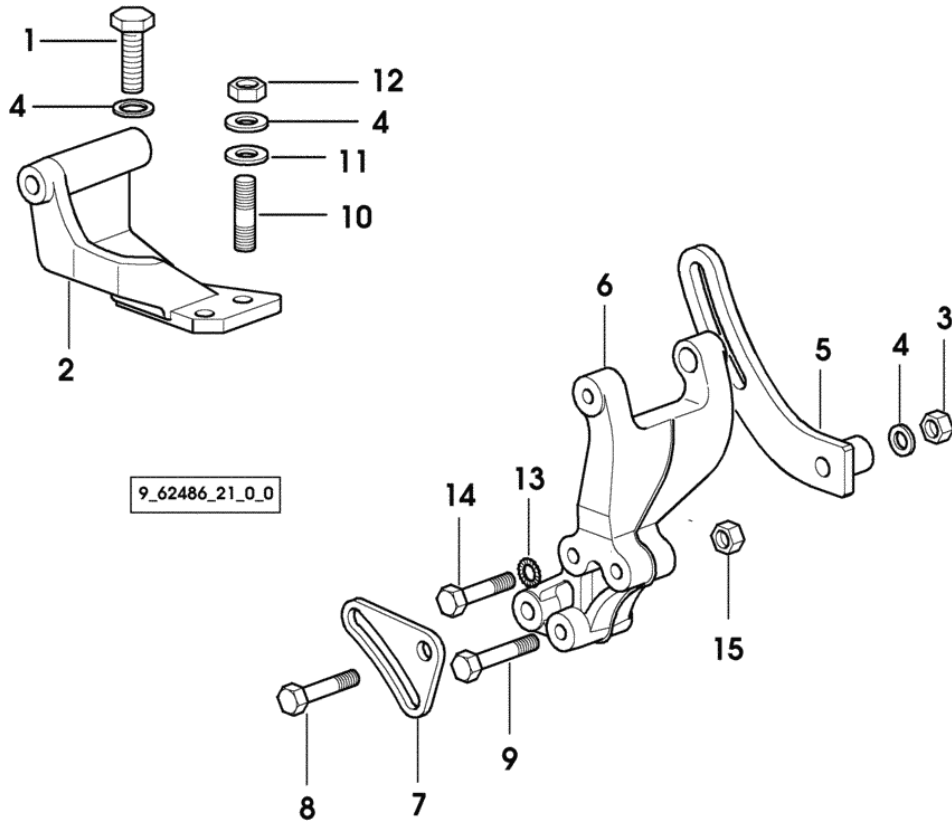
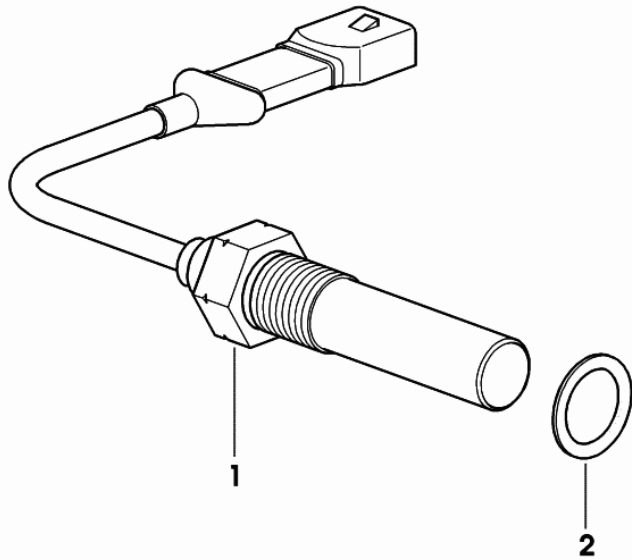


Fig.	Code	QTY	Name
1	2.0112.311.2	1	screw m 10 p.1.5 x 30
2	0.98538.50.0/40	1	support
3	2.1011.106.2	1	nut m 10 p.1.5
4	2.1470.006.2	4	lock washer 10
5	0.009.7966.0	1	tensioner
6	0.009.7947.0/10	1	support
7	0.98538.54.0/10	1	tensioner
8	2.0112.322.2	1	screw m 10 p.1.5x65
9	2.0112.226.2	2	screw m 8 p.1.25 x 85
10	2.0432.155.7	2	stud bolt m 10 p.1.5 / p. 1.25 x 25
11	2.1599.560.2	2	washer 10.5x22x3
12	2.1011.421.2	2	nut m 10 p.1.25
13	2.1470.004.2	1	washer 8
14	2.0112.226.2	1	screw m 8 p.1.25 x 85
15	2.1011.105.2	1	nut m 8 p.1.25

**SPEED SENSOR**

Fig.	Code	QTY	Name
1	0.008.1646.0	1	speed sensor
2	2.1560.014.0	1	gasket 18.2 x 24 x 1.5



9\_48884\_63\_0\_0

Section: ENGINE

**TIMING CASE**

9\_33611\_01\_0\_0

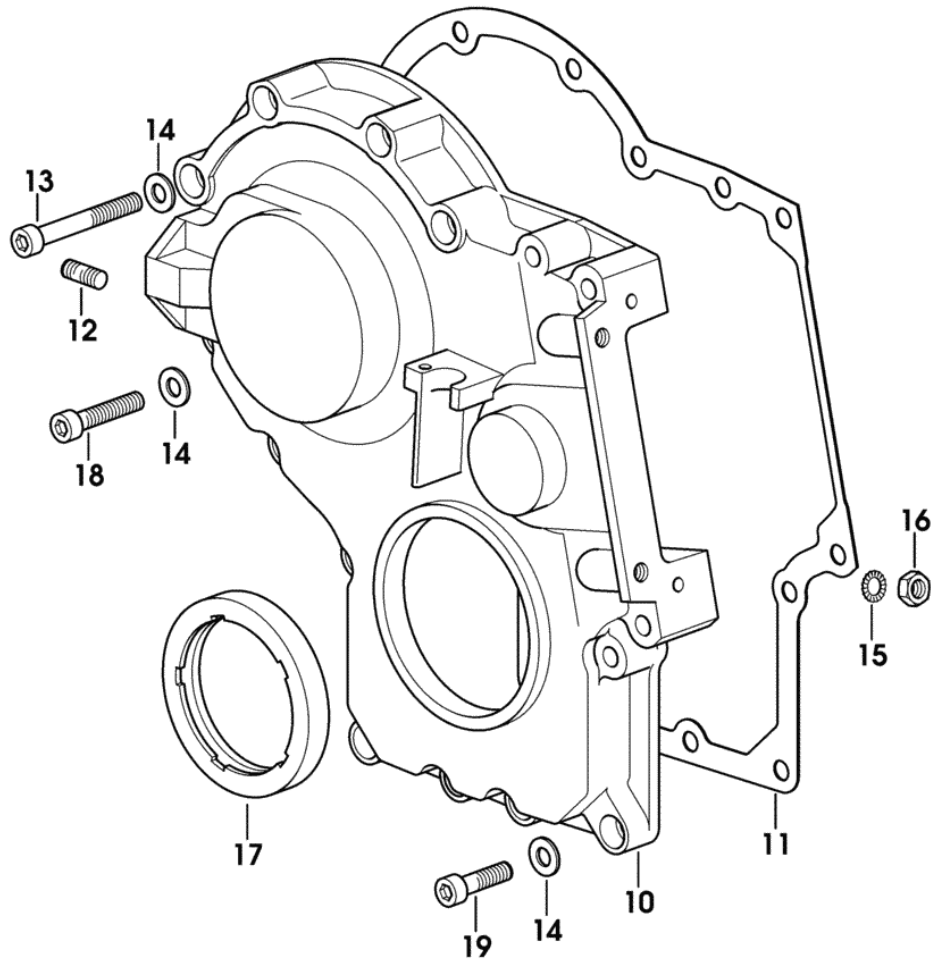
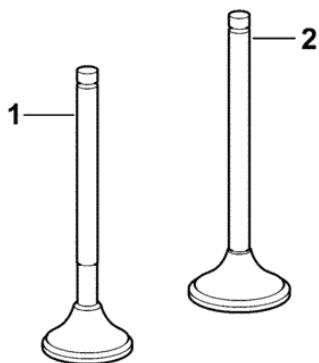


Fig.	Code	QTY	Name
10	0.013.4981.0	1	sump
11	0.065.1150.0/30	1	gasket
12	2.0432.003.7	2	stud bolt m 8 p.1.25 / p.1 x 20
13	2.0312.219.2	4	screw m 8 p.1.25x65
14	2.1480.014.1	15	washer 8
15	2.1470.004.2	4	washer 8
16	2.1011.405.2	2	nut m 8 p.1
17	2.1529.141.0	1	'o' ring
18	2.0312.214.2	3	screw m 8 p.1.25 x 40
19	2.0312.208.2	8	screw m 8 p.1.25 x 25

**INLET AND EXHAUST VALVES**

Fig.	Code	QTY	Name
1	0.007.1147.0/10	6	exhaust valve mm 39.1 / Ø mm 9
2	0.007.1146.0/10	6	inlet valve mm 43.63 / Ø mm 9



**FUEL SUPPLY SYSTEM**

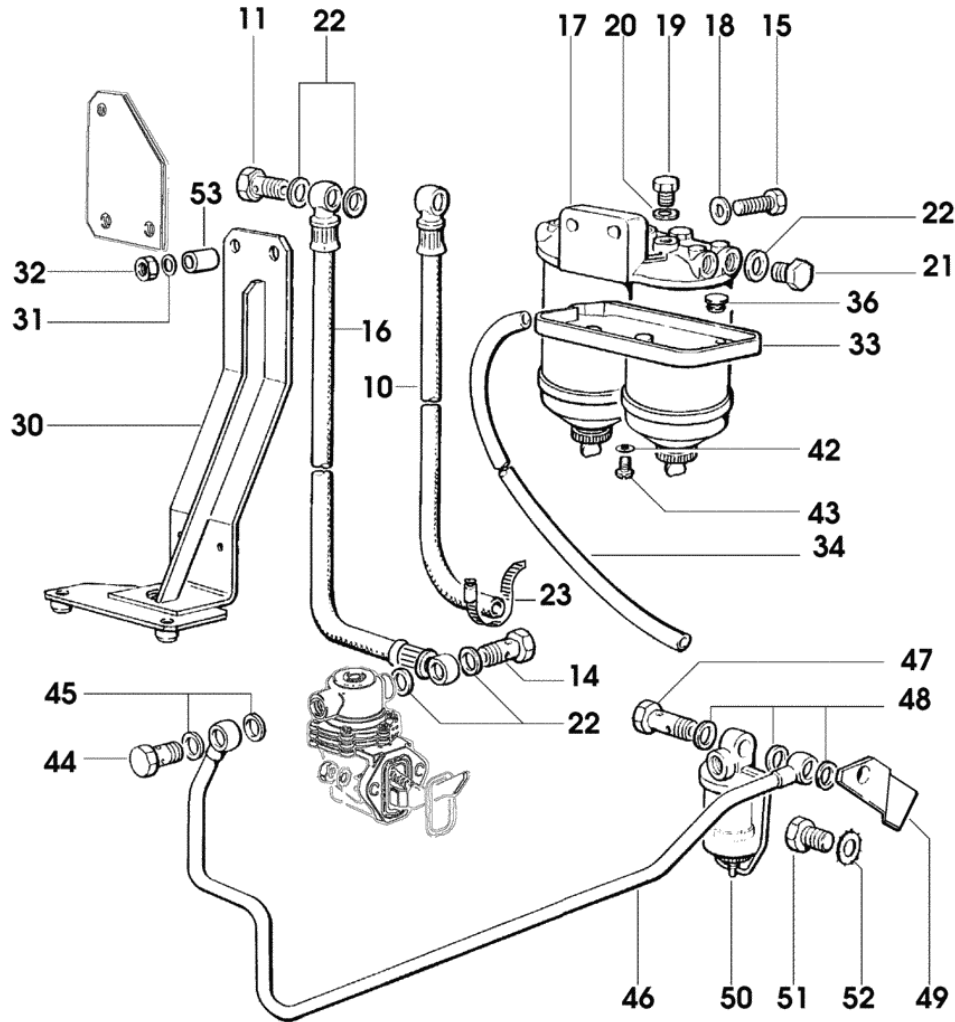


Fig.	Code	QTY	Name
10	0.007.0292.2/10	1	tube
11	2.3332.004.1	2	pipe union m 14 p.1.5 x 27
14	2.3339.357.2/10	1	pipe union m 14 p.1.5x28
15	2.0112.323.2	2	screw m 10 p.1.5x70
16	0.007.0290.2/10	1	tube
17	2.4319.180.0	1	fuel filter
			COMPONENT PARTS SEE COMPONENTS LIST
			☞ 2.4319.180.0
			☞ 01.00.2
18	2.1310.006.2	2	flat washer 10.5
19	2.3119.005.2	3	plug m 10 p.1.5
20	2.1560.005.0	3	gasket 10.2 x 14
21	2.3110.403.1	1	plug m 14 p.1.5
22	2.1561.007.0	8	gasket 14,8x22.2
23	2.6850.002.0	1	clamp 12-22
30	0.007.1392.2/20	1	bracket
31	2.1470.006.2	2	lock washer 10
32	2.1011.106.2	2	nut m 10 p.1.5
33	0.007.1219.0	1	cup
34	0.075.1657.0/10	1	tube
36	2.3199.163.0	1	plug 10x6
42	2.1310.002.2	2	washer 6.6, d125
43	2.0350.753.6	2	screw
44	2.3339.357.2/10	1	pipe union m 14 p.1.5x28
45	2.1561.007.0	2	gasket 14,8x22.2
46	0.008.3511.3/30	1	tube
47	2.3339.040.2	1	pipe union m 14 p.1.5x45
48	2.1561.007.0	3	gasket 14,8x22.2
49	0.007.1213.2/20	1	support
50	2.4319.220.0	1	precleaner
			COMPONENT PARTS SEE COMPONENTS LIST
			☞ 2.4319.220.0
			☞ 01.00.3
51	2.0122.507.2	1	screw m 12 p.1.25 x 20
52	2.1470.008.2	1	lock washer 14
53	2.1579.982.2	2	spacer

9\_34619\_00\_0\_C

Section: ENGINE  
**WATER COOLING**

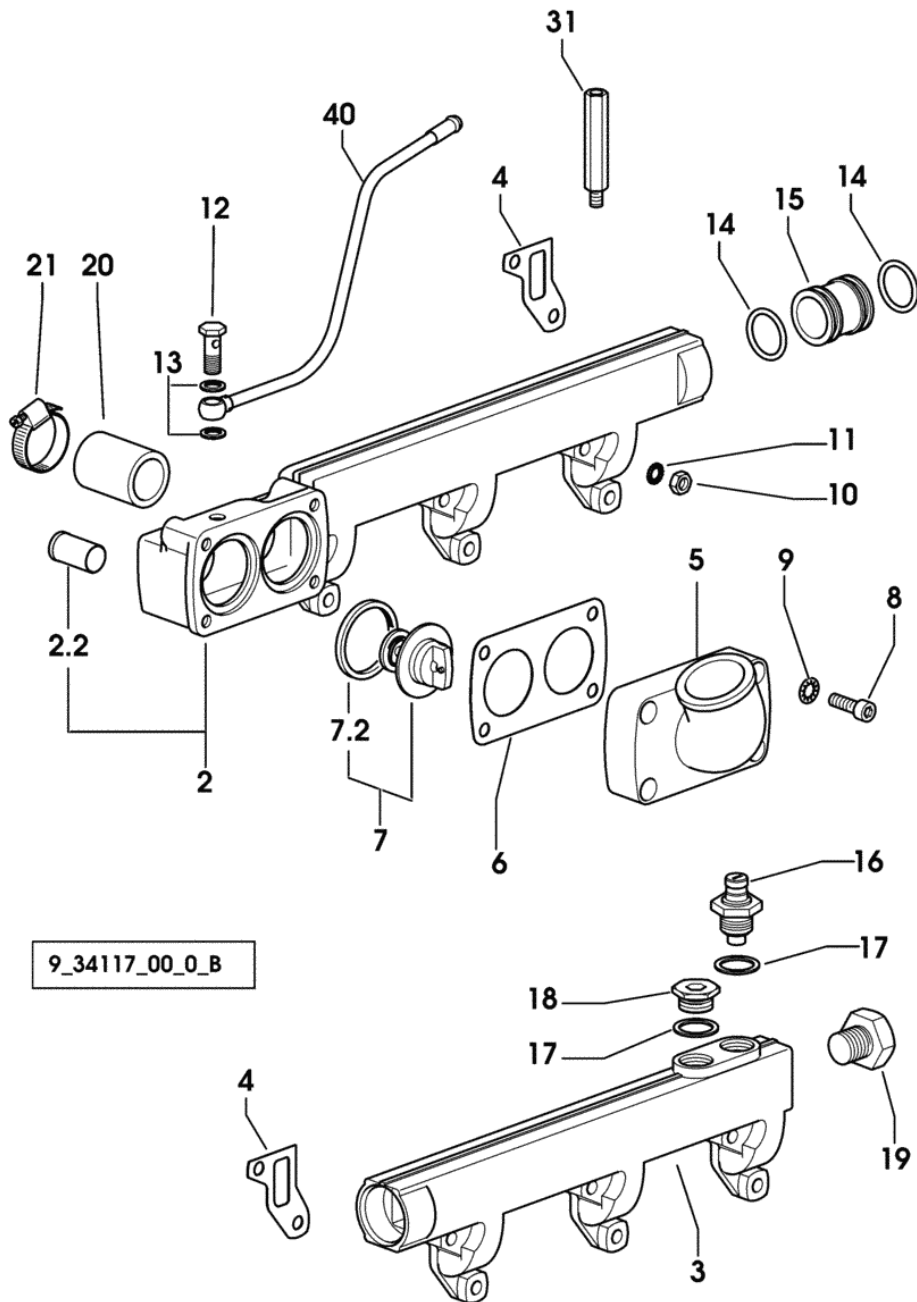
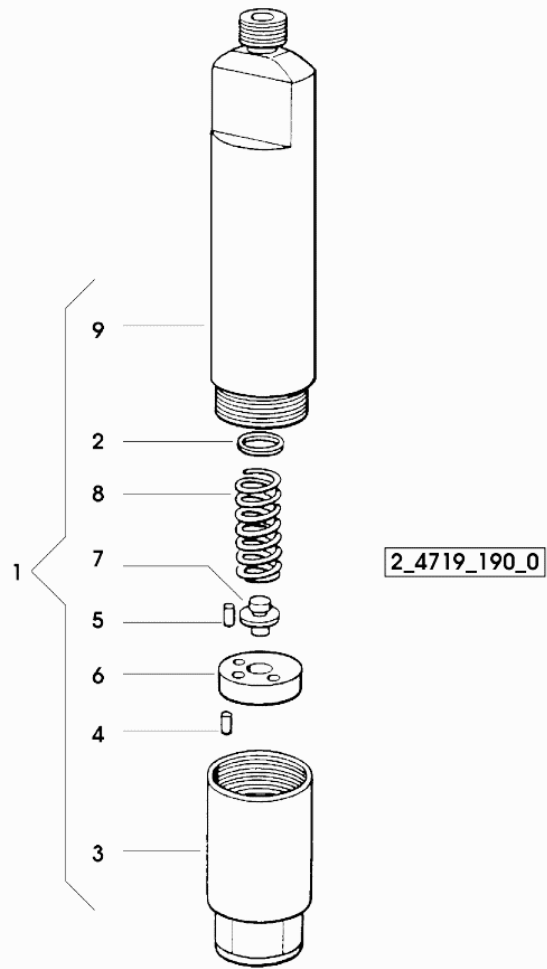


Fig.	Code	QTY	Name
2	0.007.0390.3/30	1	manifold
2.2	0.007.0601.0	1	tube 28x1
3	0.007.0611.0/10	1	manifold
4	0.066.1759.0/30	6	gasket
5	0.007.0725.0/20	1	cover
6	0.007.0635.0/20	1	gasket
7	0.007.1258.3/20	2	thermostat
7.2	0.007.1258.0	1	gasket
8	2.0312.208.2	4	screw m 8 p.1.25 x 25
9	2.1480.014.1	4	washer 8
10	2.1011.305.2	12	nut m 8 p.1 x 8
11	2.1470.004.2	12	washer 8
12	2.3339.480.2/10	1	pipe union m 10 p.1.25 x 19
13	2.1560.006.0	2	gasket 10.2 x 16
14	2.1530.082.0	2	'o' ring 31.34 x 3.53
15	0.007.0608.0/20	1	sleeve
16	2.7099.100.0/10	1	sensor
17	2.1560.018.0	2	gasket 22.2 x 29
18	2.3120.002.4	1	plug m 22 x 1.5
19	2.3130.004.1	1	plug 1/2 gas
20	0.007.0605.0/10	1	sleeve
21	2.6850.008.0	2	clamp 25-47
31	0.065.1762.0	5	small column m8 x 67
40	0.007.1255.2/20	1	tube

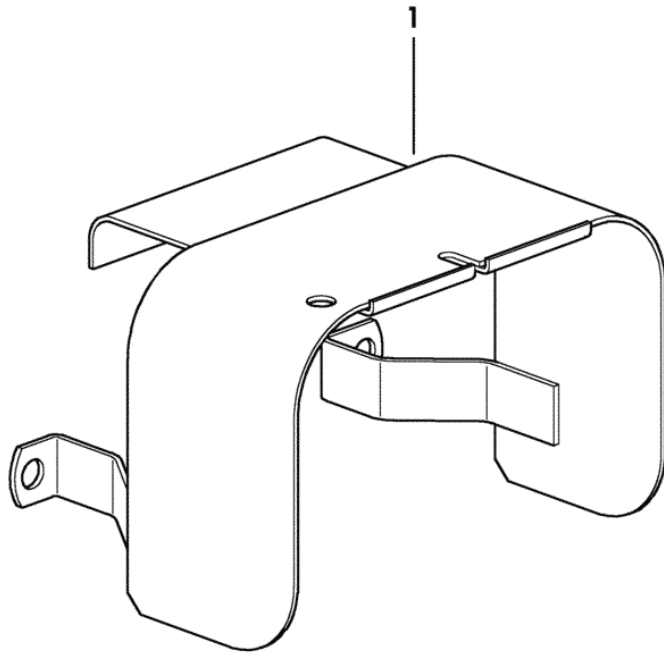
**INJECTOR NOZZLE HOLDER COMPONENTS**

Fig.	Code	QTY	Name
1	2.4719.190.0	1	nozzle holder BOSCH
2	2.4719.170.1	1	shim
3	2.4719.150.1	1	ring nut
4	2.4719.172.0	2	roll pin
5	2.4719.171.9	2	roll pin
6	2.4719.171.8	1	pad
7	2.4719.171.7	1	pin
8	2.4719.171.6	1	spring
9	0.000.0000.1	0	not serviceable



**P.T.O. GUARD**

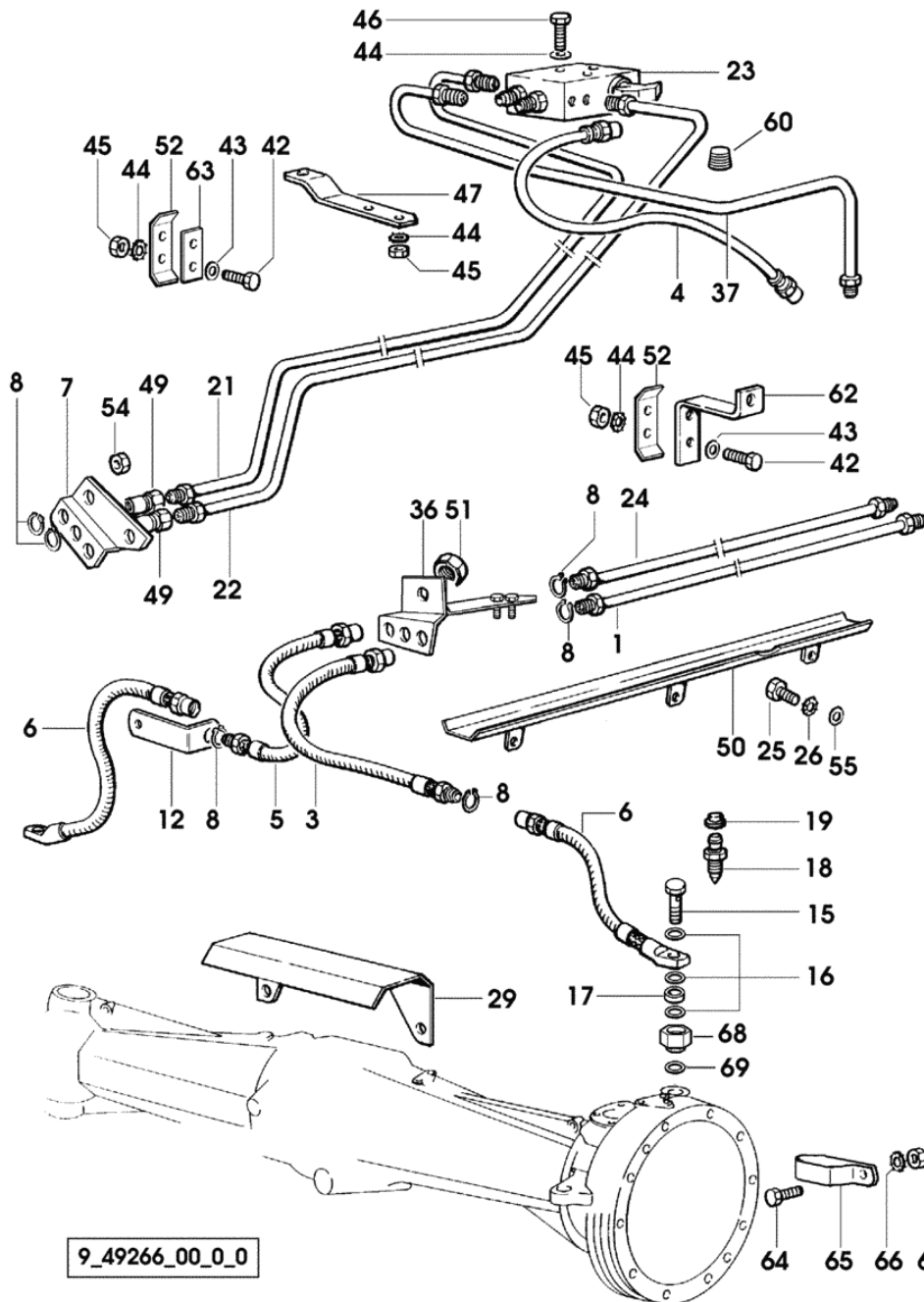
Fig.	Code	QTY	Name
1	0.97906.50.2/20	1	small sump



9\_49236\_20\_0\_0

Section: FRONT AXEL  
**4WD - FRONT BRAKING SYSTEM**

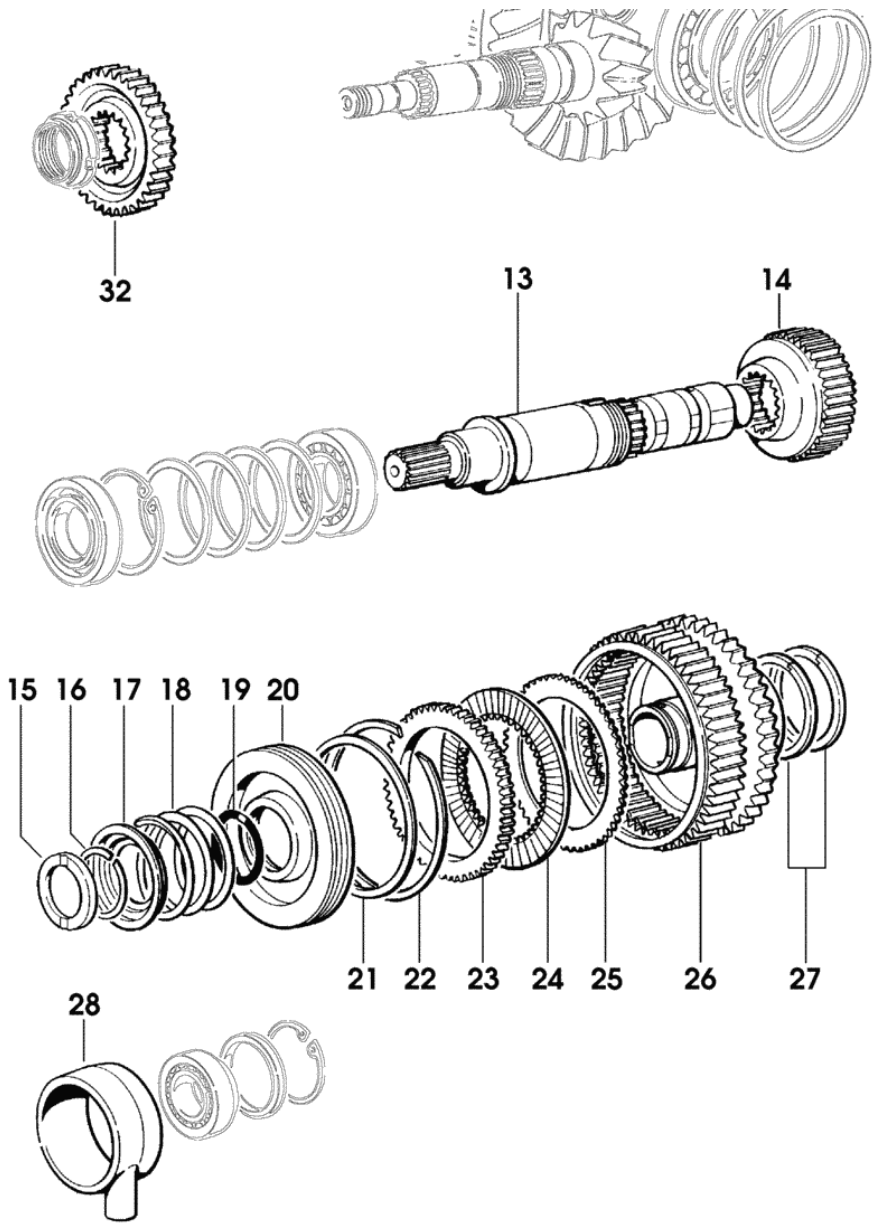
Fig.	Code	QTY	Name
1	0.009.3380.3	1	tube sx/lh/li
3	0.009.1819.3/10	1	tube sx/lh/li
4	0.007.2856.3	2	tube
5	0.009.1818.3	1	tube dx/rh/re
6	0.008.0415.3	2	tube
7	0.009.3382.0/10	1	bracket
8	2.1410.004.2	8	circlip 16
12	0.008.1464.0	1	bracket
15	2.3339.361.2/10	2	pipe union m 12 p.1.25 x 28
16	2.1560.008.0	6	gasket 12.2 x 18
17	2.1579.765.2/10	2	spacer 12.5 x 18 x 8.0
18	0.170.5455.0	2	valve
19	2.3199.039.0	2	plug 6.50 x 7.25
21	0.009.3386.3	1	tube dx/rh/re
22	0.009.3385.3	1	tube sx/lh/li
23	0.445.4351.4/30	1	valve
24	0.009.3381.3	1	tube dx/rh/re
25	2.0112.207.2	3	screw m 8 p 1.25 x 20
26	2.1470.004.2	3	washer 8
29	0.009.1827.0/10	1	guard
36	0.009.1828.3	1	bracket dx/rh/re
37	0.009.3391.3	1	tube dx/rh/re
42	2.0112.011.2	6	screw m 6 p.1x30
43	2.1310.002.2	6	washer 6.6, d125
44	2.1470.002.2	10	washer 6, d128
45	2.1011.103.2	10	nut m 6 p.1
46	2.0112.017.2	2	screw m 6 p.1x45
47	0.009.3393.0	1	bracket
49	0.277.4354.0/10	2	pipe fitting
50	0.009.3099.2/30	1	guard
51	2.1011.510.2	1	nut m 18 p.1.5
52	0.009.3100.0	4	small plate
54	2.1011.508.2	2	nut m 14 p.1.5
55	2.1310.004.2	3	flat washer 8.5
60	2.3130.001.1	1	plug 1/8" gas
62	0.009.3384.0	1	bracket
63	0.009.3388.0	2	bracket
64	2.0112.003.2	1	screw m 6 p.1 x 12
65	2.6829.006.2	1	bracket
66	2.1470.002.2	1	washer 6, d128
67	2.1011.103.2	1	nut m 6 p.1
68	2.3249.029.2	1	pipe fitting m 12 p.1,25x26.5
69	2.1560.008.0	1	gasket 12.2 x 18



9\_49266\_00\_0\_0

Section: FRONT AXEL  
4WD-P.T.O.

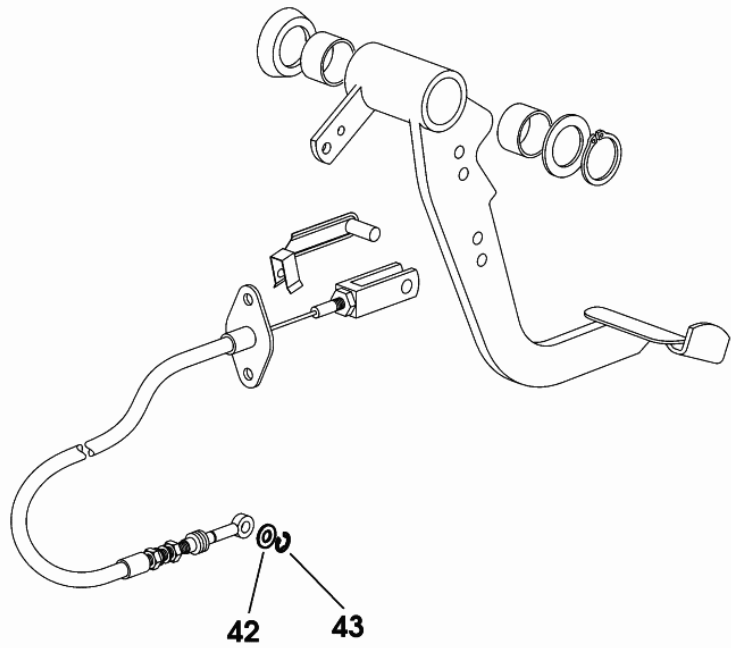
Fig.	Code	QTY	Name
13	0.007.7535.0/50	1	shaft
14	0.007.7536.0/10	1	hub
15	2.1599.605.0/10	1	snoulder 46x65x6
16	2.1429.027.0	1	ring
17	0.163.3657.0/10	1	disc
18	2.4019.156.1/10	1	spring
19	2.1539.149.0	1	'o' ring
20	0.011.2950.0	1	piston
21	2.1532.243.0	1	'o' ring
22	2.1429.018.0	1	circlip 156
23	0.007.7570.0/10	1	spacer
24	0.163.3654.0	6	disc
25	0.163.3655.0	6	disc
26	0.012.8433.0	1	clutch housing
27	2.1499.111.0	2	ring 82
28	0.011.5294.0	1	manifold
32	0.007.7515.0/20	1	gear



9\_49238\_03\_0\_B

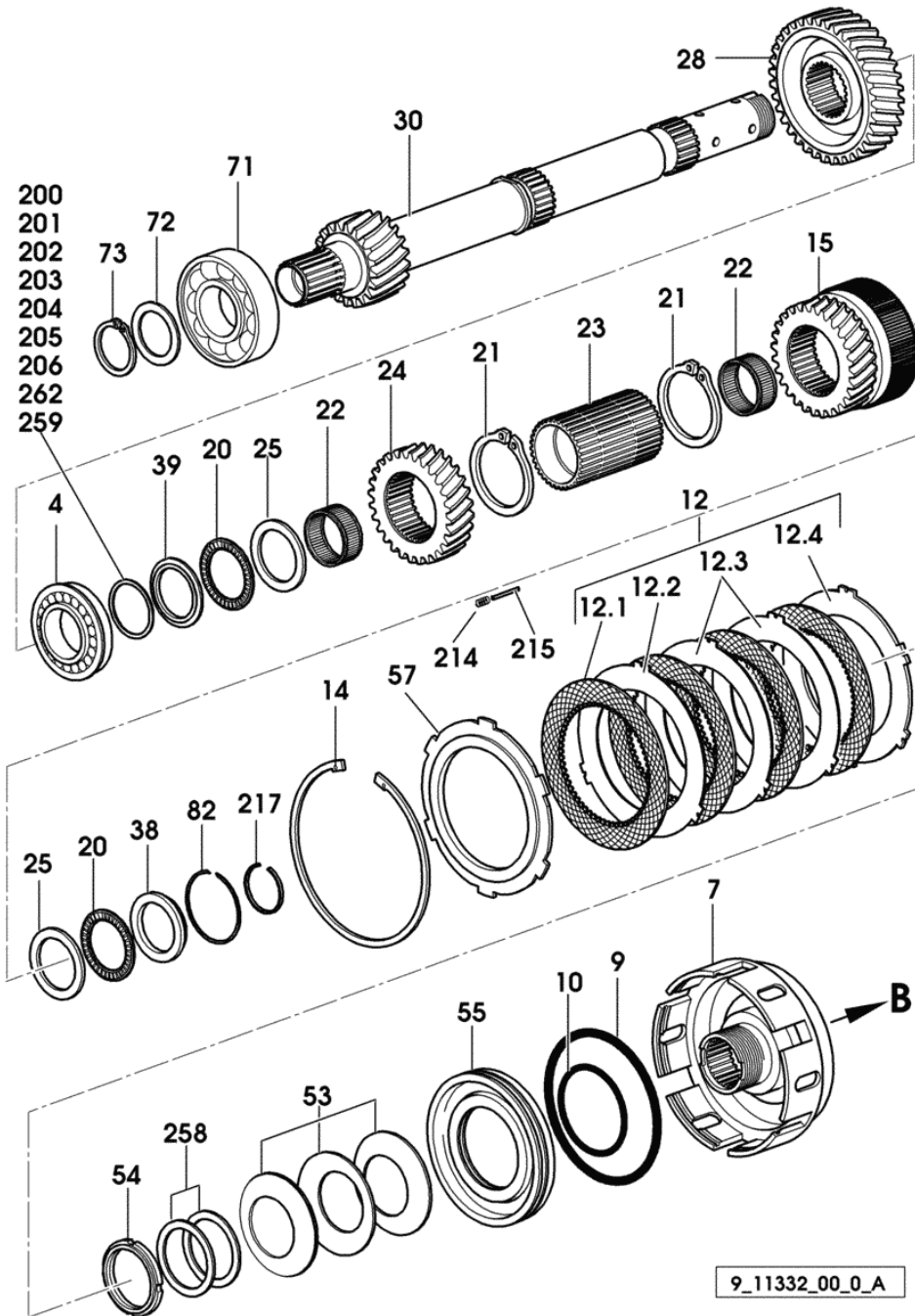
Section: GEAR  
**CLUTCH CONTROL**

Fig.	Code	QTY	Name
42	2.1311.006.2	1	flat washer 8
43	2.1430.008.7	1	circlip 7



9\_49265\_02\_0\_0

Section: GEAR  
MAIN SHAFT



Notes:  
(...) <- X SILVER 160

Fig.	Code	QTY	Name
4	2.2999.115.0/10	3	bearing
7	0.008.4514.0/60	1	clutch housing
9	2.1539.114.0	3	'o' ring 142.24x5.33
10	2.1539.113.0	3	'o' ring 82.14 x 3.53
12	0.008.5207.3/20	2	hydraulic pto clutch 2 - 3
12.1	0.007.7499.2	4	clutch disc mm 3.50
12.2	0.008.5203.0/10	1	disc mm 2.10
12.3	0.008.5205.0/10	2	disc mm 1.9
12.4	0.008.5209.0/10	1	disc mm 4.3
14	2.1419.045.0	3	ring 172x4
15	0.008.4505.3/40	1	gear
20	2.2999.228.0	2	roller cage 50x70x3
21	2.1410.028.1	2	circlip 70
22	2.2999.224.0	4	roller cage 50x58x25
23	0.008.4499.0/10	1	gear Z = 34
24	0.008.4498.0/20	1	gear Z = 28
25	2.1599.549.0	2	thrust plate 52x70x4
28	0.011.1383.0	1	gear
30	0.008.4516.3/80	1	main shaft
38	2.1549.120.0	1	spacer 50x60x68x6.5
39	2.1599.604.0/10	1	thrust plate 50x68x4
53	2.4099.089.7	13	spring 60.5x102
54	2.1219.040.0/10	3	ring nut m 60 p.1.5
55	0.008.4543.0/50	3	piston
57	0.007.7272.0/20	3	disc
71	2.2999.324.0/10	1	bearing
72	2.1599.601.0	1	spacer 45x62x3
73	2.1410.018.7	1	circlip 45
82	2.1423.049.7	1	circlip 70x1.5
200	2.1589.236.0	0	shim 50.5x58x1.35
201	2.1589.237.0	0	shim 50.5x58x1.40
202	2.1589.238.0	0	shim 50.5x58x1.45
203	2.1589.239.0	0	shim 50.5x58x1.50
204	2.1589.240.0	0	shim 50.5x58x1.55
205	2.1589.241.0	0	shim 50.5x58x1.60
206	2.1589.242.0	0	shim 50.5x58x1.65
214	2.4019.479.1	24	spring 3.6x5.8x1.1x10
215	2.1699.334.0	6	pin 3x33.5
217	2.1429.042.0	1	ring 45.2x49x3
258	2.1599.680.7	4	snoulder 60x75x3
259	2.1589.314.0	0	shim 50.5x58x1.75

Section: GEAR  
**TRANSMISSION SHAFT**

9\_15432\_00\_0\_D

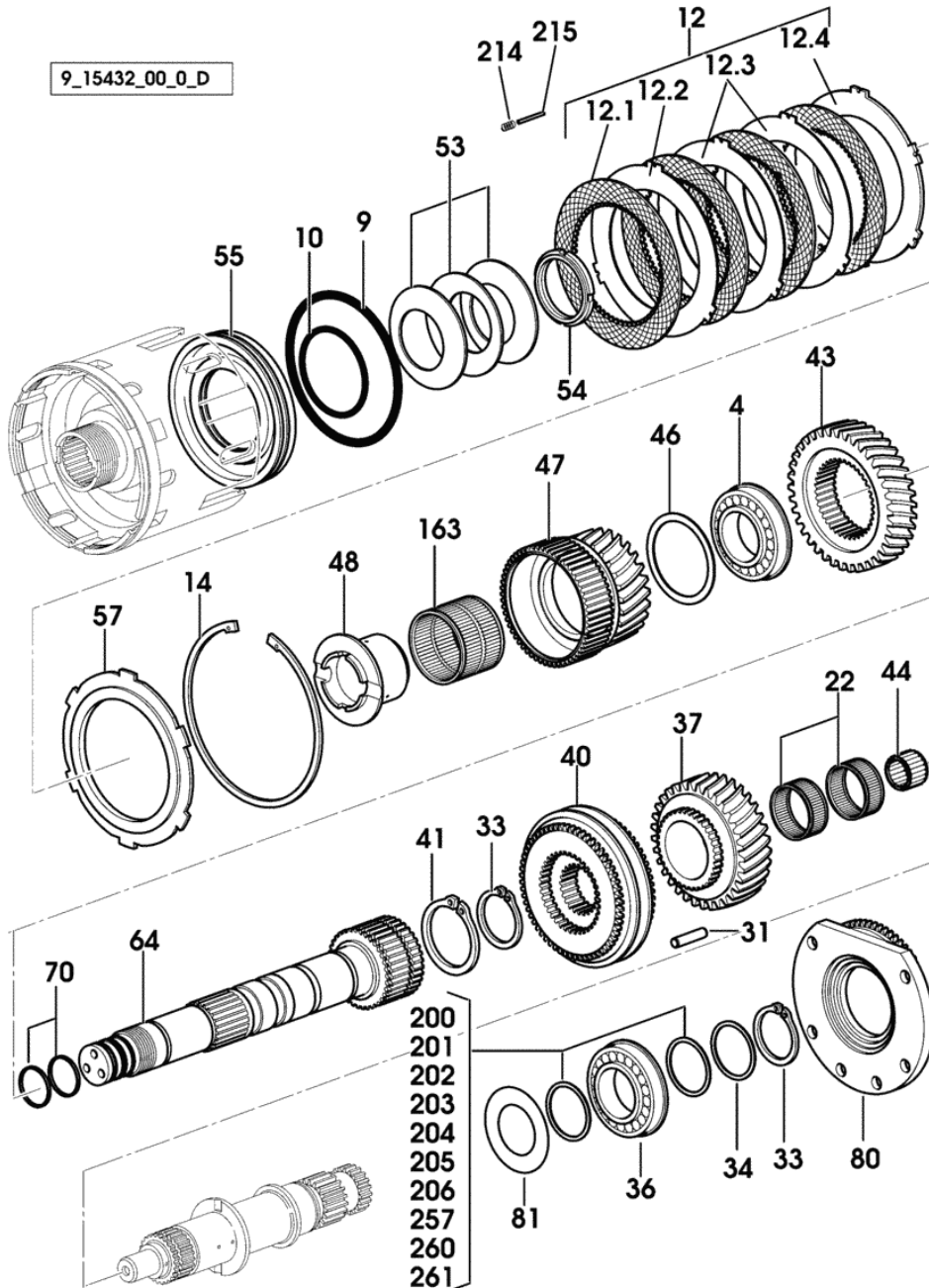


Fig.	Code	QTY	Name
<b>Notes:</b>			
-> (...) X SILVER 160			
4	2.2999.115.0/10	3	bearing
9	2.1539.114.0	3	'o' ring 142.24x5.33
10	2.1539.113.0	3	'o' ring 82.14 x 3.53
12	0.008.5207.3/20	2	hydraulic pto clutch 2 - 3
12.1	0.007.7499.2	4	clutch disc mm 3.50
12.2	0.008.5203.0/10	1	disc mm 2.10
12.3	0.008.5205.0/10	2	disc mm 1.9
12.4	0.008.5209.0/10	1	disc mm 4.3
14	2.1419.045.0	3	ring 172x4
22	2.2999.224.0	4	roller cage 50x58x25
31	0.007.6064.0/10	1	tube
33	2.1410.020.1	1	circlip 50
34	2.1599.600.0/10	1	shoulder 50x62x2
36	2.2999.204.0	1	bearing 50 x 90 x 20
37	0.007.7220.0/50	1	gear z = 33
40	0.008.5466.4/40	1	lock synchronizer Ø 114 COMPONENT PARTS SEE COMPONENTS LIST ☞ 0.008.5466.4/40 ☞ 02.00.7
41	2.1419.055.0	2	ring 80 x 4
43	0.011.1382.0	1	gear Z = 35
44	2.2999.111.0	1	roller cage 25x35x25
46	2.1599.751.0/20	1	snoulder 55.2
47	0.011.1401.3/10	1	gear z = 26
48	0.010.9403.0/10	1	sleeve
53	2.4099.089.7	13	spring 60.5x102
54	2.1219.040.0/10	3	ring nut m 60 p.1.5
55	0.008.4543.0/50	3	piston
57	0.007.7272.0/20	3	disc
64	0.008.4502.3/80	1	countershaft
70	2.1499.109.0/10	3	ring 37.1x40x2.5
80	0.007.7826.0/10	1	flange
81	2.1589.221.0	1	lamination 50.5x85x1
163	2.2999.372.0	1	roller cage 65x73x46
200	2.1589.236.0	0	shim 50.5x58x1.35
201	2.1589.237.0	0	shim 50.5x58x1.40
202	2.1589.238.0	0	shim 50.5x58x1.45
203	2.1589.239.0	0	shim 50.5x58x1.50
204	2.1589.240.0	0	shim 50.5x58x1.55
205	2.1589.241.0	0	shim 50.5x58x1.60

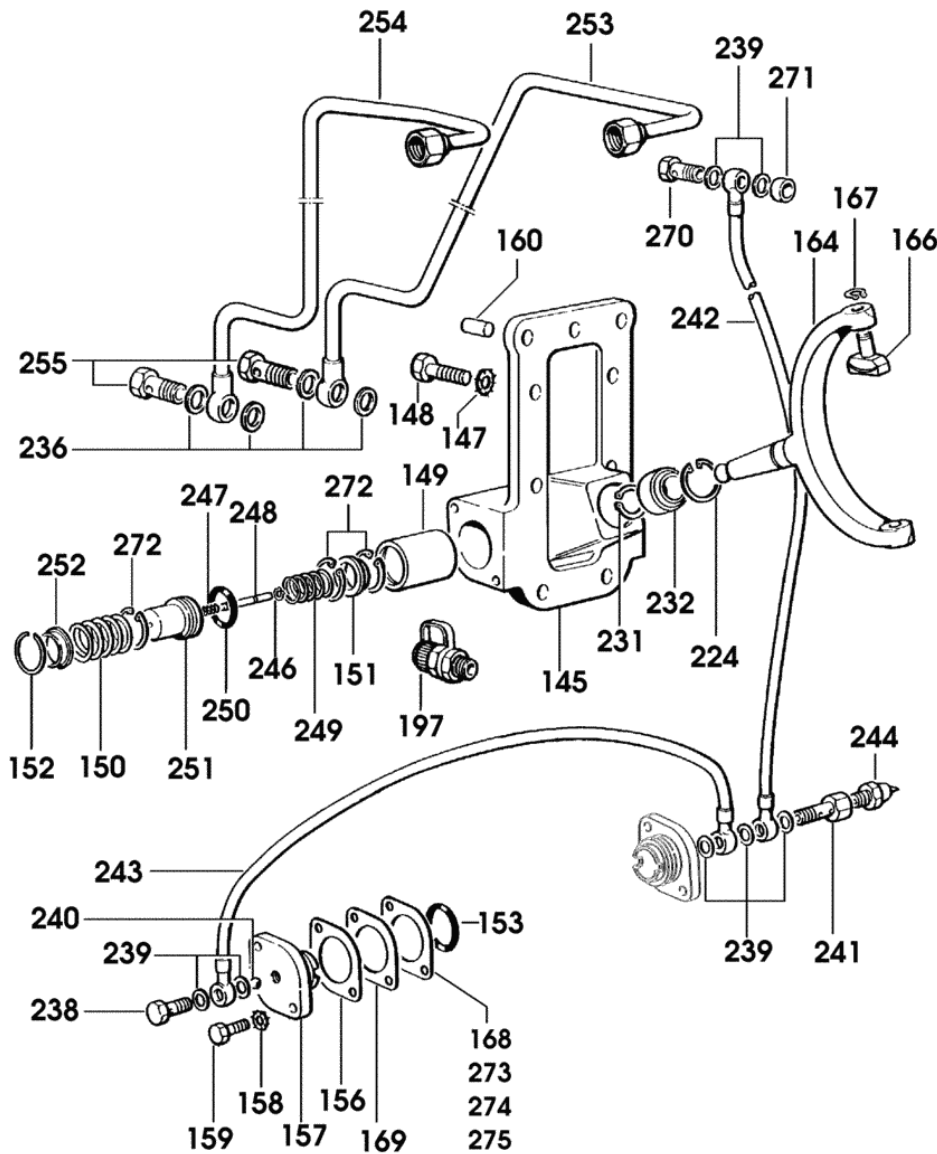
**REVERSING GEAR UNIT CONTROL**

Fig.	Code	QTY	Name
------	------	-----	------

**Notes:**

-> (...) X SILVER 160

145	0.008.5491.0/30	1	cover
147	2.1470.006.2	7	lock washer 10
148	2.0112.313.2	7	screw m 10 p.1.5 x 35
149	0.008.5496.0/10	2	piston
150	2.4019.572.1	2	spring 26.1x32.9x3.4
151	0.008.5497.0	2	cap-washer
152	2.1423.025.0	2	circlip 34x1.5
153	2.1539.153.0	2	'o' ring 32.99x2.6
156	0.008.5494.0	4	shim mm 0.20
157	0.008.5492.0/10	2	cover
158	2.1470.004.2	4	washer 8
159	2.0112.209.2	4	screw m 8 p 1.25 x 25
160	2.1651.911.0	2	cylindrical plug 12 x 24
164	0.008.5417.0/30	1	fork
166	0.010.0669.0	2	shoe
167	2.1410.001.1	2	circlip 10
168	0.008.5495.0	4	shim mm 0.15
169	0.008.5493.0	12	shim mm 0.50
197	0.009.2923.4	2	socket
224	2.1419.072.0	1	ring 31x37.8x1.5
231	2.1410.006.1	1	circlip 20
232	0.008.5451.2	1	joint
236	2.1560.011.0	4	gasket 16.2x20
238	2.3339.600.2/10	1	pipe union m 12 p.1.5
239	2.1560.008.0	6	gasket 12.2 x 18
240	2.2810.004.0	2	ball 5/16"
241	2.3339.621.2/10	1	pipe fitting m 12 p.1.5x13
242	0.011.3338.3	1	tube
243	0.010.5372.3	1	tube
244	2.7099.670.0/10	1	pressure switch 15 bar
246	2.1430.004.0	2	circlip 3.2
247	2.4019.399.1	2	spring
248	0.008.5511.0	2	rod
249	2.4019.573.1	2	spring 11x21x5x55.8
250	2.1539.154.0	2	'o' ring 28.3x1.78
251	0.008.5503.3/10	2	pin
252	0.008.5502.0	2	ring
253	0.008.5510.3/20	1	tube
254	0.008.5509.3/20	1	tube
255	2.3335.007.2	2	pipe union m 16 p.1.5
270	2.3335.052.2	1	pipe union m 12 p.1.5



9\_15432\_00\_0\_E

Section: GEAR  
DIFFERENTIAL

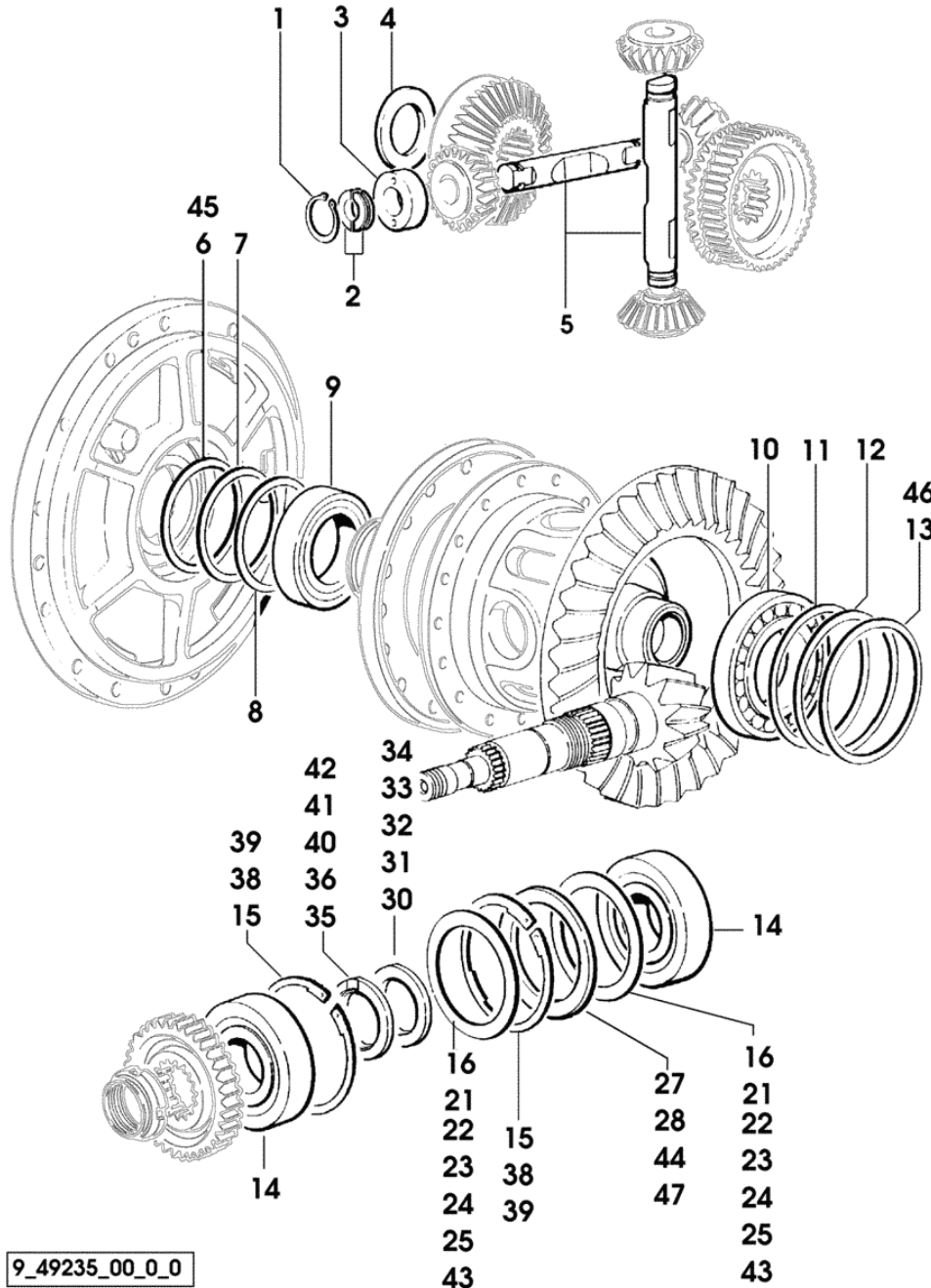


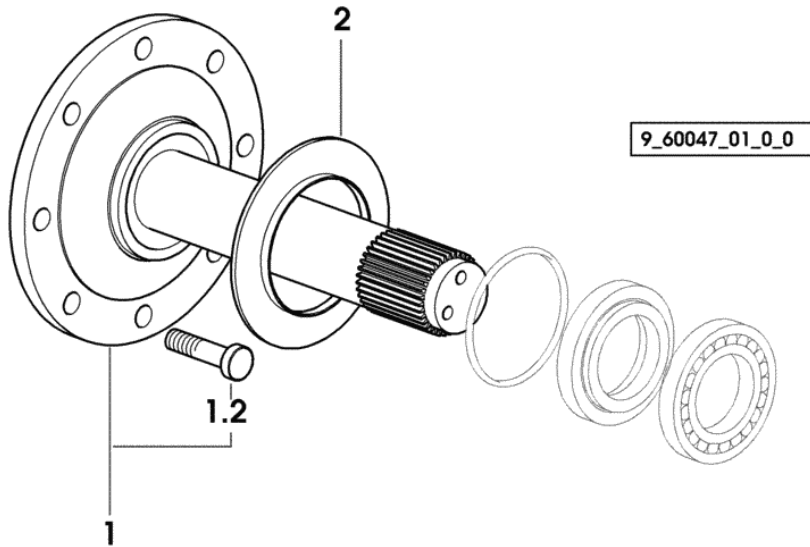
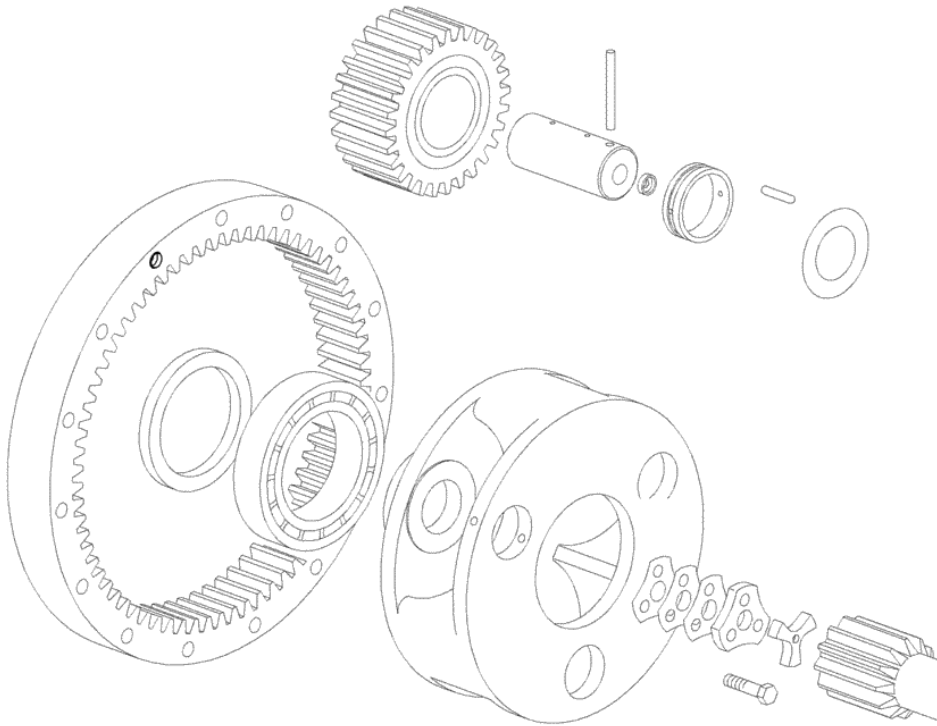
Fig.	Code	QTY	Name
1	2.1410.016.1	4	circlip 40
2	0.233.3551.0	8	snoulder
3	0.264.3550.0/20	4	spacer
4	0.154.3551.0	2	snoulder
5	0.264.3525.3/40	1	pin
6	2.1580.419.0	4	shim 108x124x0.20
7	2.1580.420.0	2	shim 108x124x0.50
8	2.1580.421.0	4	shim 108x124x0.15
9	2.2521.015.0	1	roller bearing 70x125x26.25
10	2.2521.018.0	1	roller bearing 85x150x30.5
11	2.1589.089.0	4	snoulder 130x149x0.10
12	2.1589.090.0	2	snoulder 130x149x0.20
13	2.1589.091.0	4	snoulder 130x149x0.50
14	2.2999.342.0	2	bearing
15	2.1419.074.0	0	circlip 137x3.35
16	2.1589.209.0/10	0	snoulder 105x129.5x1.9
21	2.1589.210.0/10	0	snoulder 105x129.5x1.95
22	2.1589.211.0/20	0	snoulder 105x129.5x2
23	2.1589.212.0/20	0	snoulder 105x129.5x2.05
24	2.1589.213.0/20	0	snoulder 105x129.5x2.10
25	2.1589.214.0/20	0	snoulder 105x129.5x2.15
27	2.1589.244.0/20	0	snoulder 105x129.5x3
28	2.1589.245.0/20	1	snoulder 105x129.5x2.8
30	2.1589.255.0	0	thrust plate 60x63x72x9.8
31	2.1589.256.0	0	thrust plate 60x63x72x9.85
32	2.1589.257.0	0	thrust plate 60x63x72x9.9
33	2.1589.258.0	0	thrust plate 60x63x72x9.95
34	2.1589.259.0	0	thrust plate 60x63x72x10
35	2.1589.260.0	0	thrust plate 60x63x72x10.25
36	2.1589.261.0	0	thrust plate 60x63x72x10.5
38	2.1419.075.0	0	circlip 137x3.30
39	2.1419.076.0	0	circlip 137x3.25
40	2.1589.265.0	0	thrust plate 60x63x72x10.025
41	2.1589.266.0	0	thrust plate 60x63x72x10.275
42	2.1589.267.0	0	thrust plate 60x63x72x10.525
43	2.1589.305.0	0	snoulder 105x129.5x2.2
44	2.1589.306.0	0	snoulder 105x129.5x3.2
45	2.1580.432.0	2	snoulder 108x124x0.1
46	2.1580.433.0	2	snoulder 130x149x0.15
47	2.1589.476.0	0	shim 105x129.5x2.9

9\_49235\_00\_0\_0

Section: REAR AXLE

**REAR REDUCTION GEARS AND AXLE SHAFTS**

Fig.	Code	QTY	Name
1	0.009.3544.3/30	2	half-shaft
1.2	0.009.3545.0	8	small column
2	0.012.6397.0	2	guard



# SILVER 160

## S.A.C.

### GENERAL

POWER-LIFT CASE.....	0D.00.1
S.A.C. CASE.....	0D.00.2
LIFTING.....	0D.00.3
HYDRAULIC CYLINDERS.....	0D.00.5
REGULATING DISTRIBUTOR WITH ELECTRONIC CONTROL.....	0D.00.7
CONTROL CONSOLE FOR POWER-LIFT.....	0D.00.8
SENSITIVE ELEMENTS.....	0D.00.9
POWER-LIFT ELECTRONIC SYSTEM.....	0D.00.10
"TRANSPORTER" VERSION.....	0D.00.11
"TRANSPORTER" VERSION.....	0D.00.12

Section: S.A.C.  
**"TRANSPORTER" VERSION**

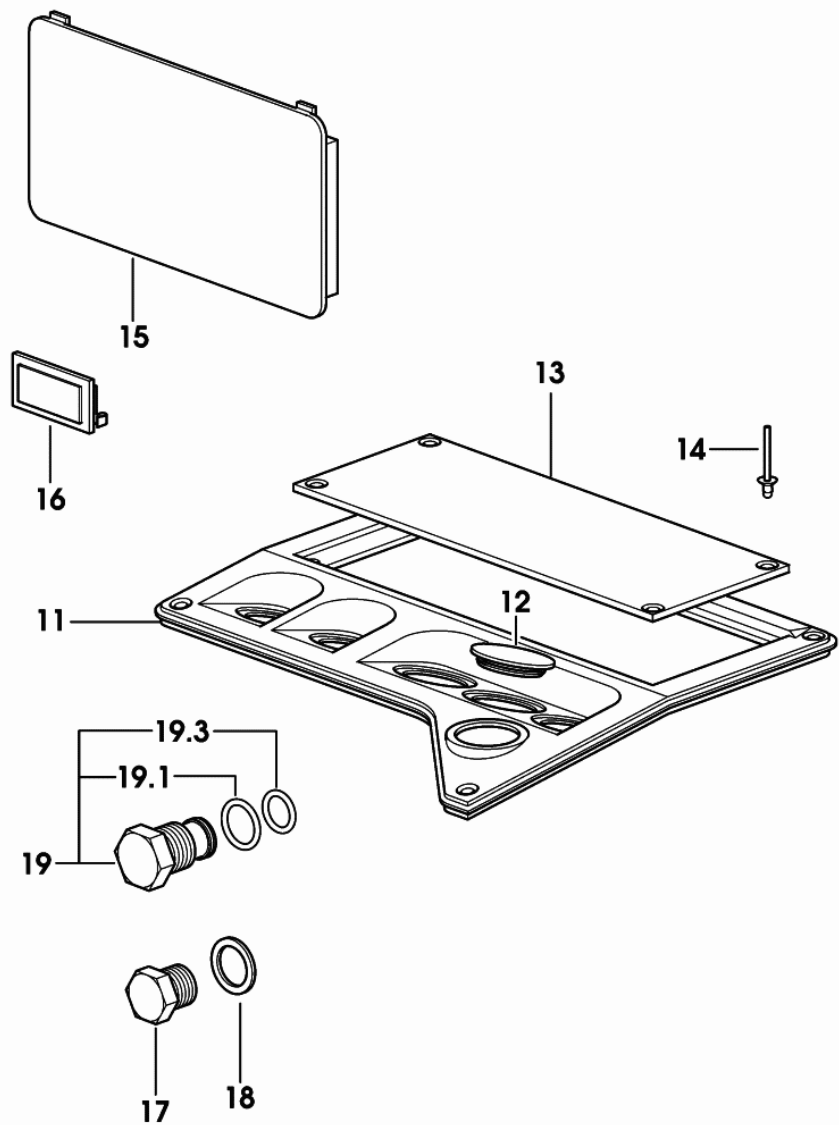


Fig.	Code	QTY	Name
11	0.008.9804.0/30	1	panel
12	0.009.0210.0/10	3	plug 30 x 38 x 9.0
13	0.011.5164.0	1	plug
14	2.1899.083.0	4	rivet
15	0.009.0257.0/10	1	plug
16	0.009.0500.0	1	plug 50x26
17	2.3110.403.1	2	plug m 14 p.1.5
18	2.1560.010.0	2	gasket 14.2 x 20 x 1.5
19	0.006.6161.4/10	1	plug
19.1	2.1530.048.0	1	'o' ring 18.72x2.62
19.3	2.1530.035.0	1	'o' ring 14.00x1.78

9\_12559\_00\_0\_B

**GEARBOX OIL COOLER**

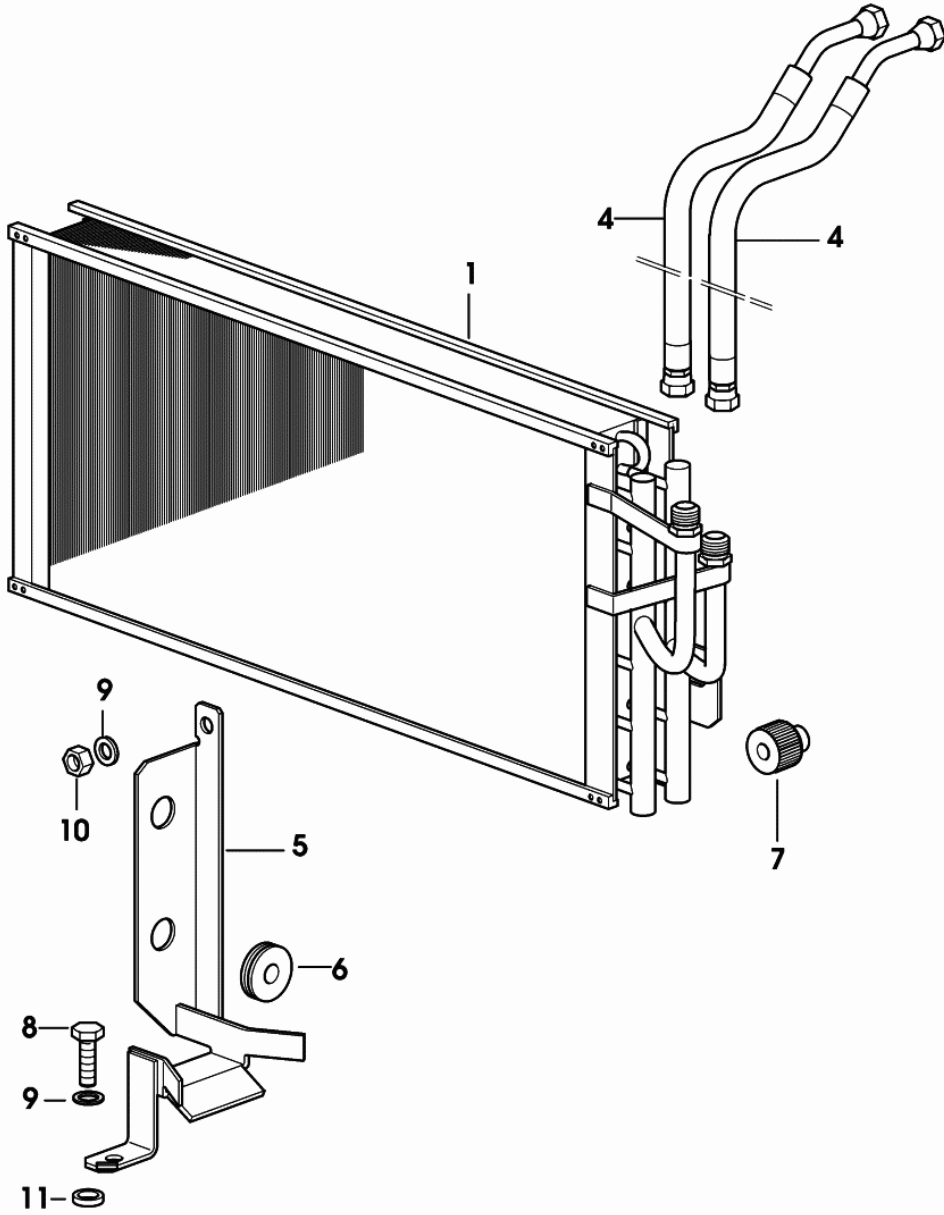


Fig.	Code	QTY	Name
1	0.010.8583.2/20	1	oil cooler
4	0.009.1804.3/50	2	tube
5	0.010.8584.2	1	support
6	2.6569.028.0	2	rubber plug 12 x 34 x 9.0
7	0.9107.669.2	1	knob
8	2.0112.207.2	1	screw m 8 p 1.25 x 20
9	2.1474.009.2	2	spring washer 8
10	2.1011.105.2	1	nut m 8 p.1.25
11	2.1579.822.0	1	spacer

9\_50682\_11\_0\_0

**SOLENOID VALVE CASING**

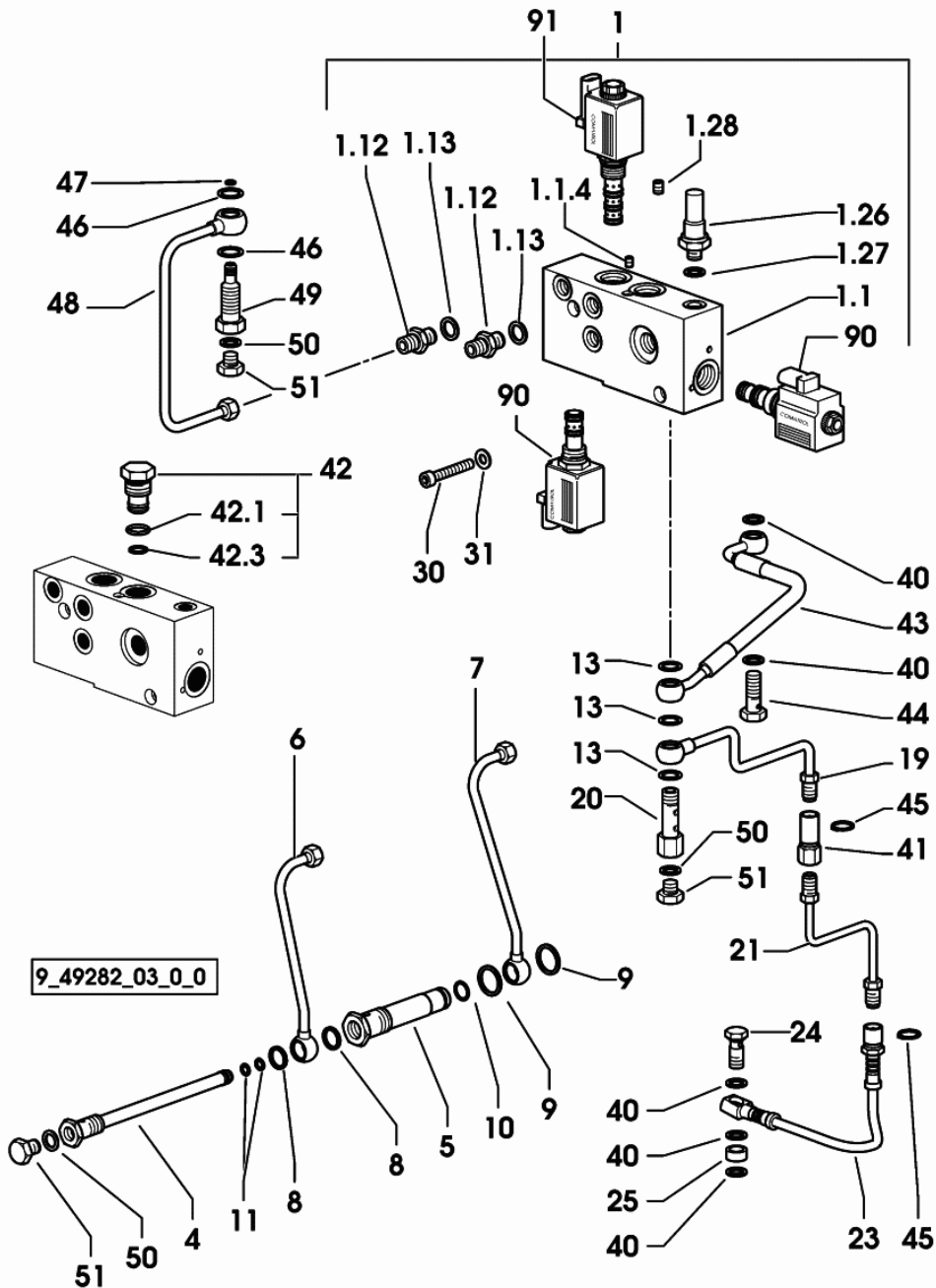


Fig.	Code	QTY	Name
91	2.3729.250.0/30	1	electro valve 13 V - 20 W COMPONENT PARTS SEE COMPONENTS LIST ☞ 2.3729.250.0/30 ☞ 06.00.28

CLICK HERE TO **DOWNLOAD** THE COMPLETE MANUAL

- Thank you very much for reading the preview of the manual.
- You can download the complete manual from: [www.heydownloads.com](http://www.heydownloads.com) by clicking the link below



- Please note: If there is no response to CLICKING the link, please download this PDF first and then click on it.

CLICK HERE TO **DOWNLOAD** THE COMPLETE MANUAL