

RANGER 45

ACCESSORIES

GENERAL

QUICK COUPLING LINES.....	0E.00.1
3 POINT HITCH.....	0E.00.2
3 POINT HITCH.....	0E.00.3
FRONT PERMANENT TOWING HITCH.....	0E.00.5
PERMANENT REAR TOWING HITCH.....	0E.00.6
REAR SWINGING TOWING-HITCH.....	0E.00.8
TOWING BAR.....	0E.00.9
FRONT BALLAST.....	0E.00.10
REAR BALLAST - 96915.....	0E.00.11
REAR LIGHT.....	0E.00.13
POWER TAKE-OFF FOR MOWER.....	0E.00.14
BELT PULLEY.....	0E.00.15
TOOL POUCH.....	0E.00.16
POWER OUTLET SOCKET.....	2.6032.011.0.A
HEADLAMP COMPONENTS.....	2.8029.300.0.A

CLICK HERE TO **DOWNLOAD** THE COMPLETE MANUAL

- Thank you very much for reading the preview of the manual.
- You can download the complete manual from: www.heydownloads.com by clicking the link below

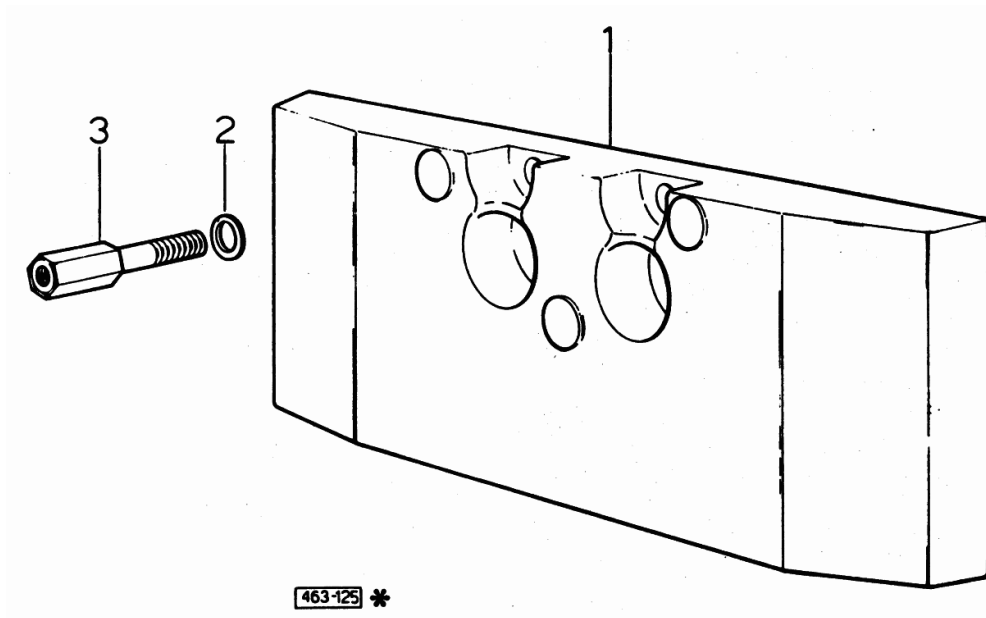


- Please note: If there is no response to CLICKING the link, please download this PDF first and then click on it.

CLICK HERE TO **DOWNLOAD** THE COMPLETE MANUAL

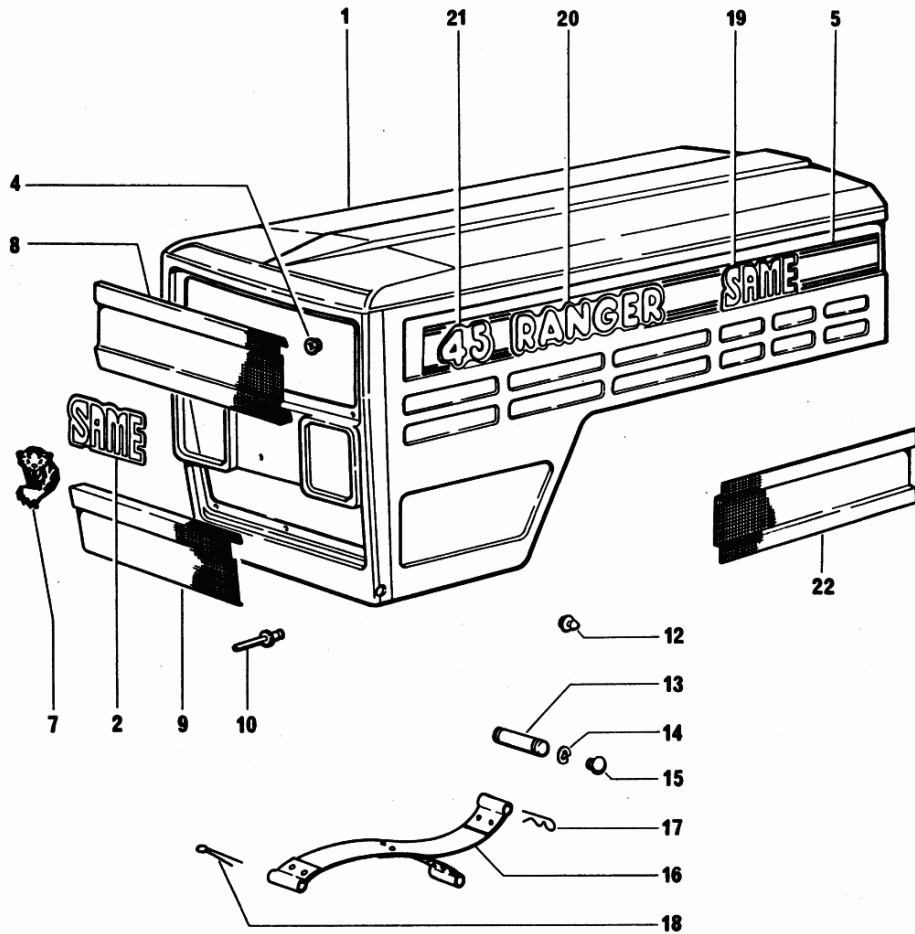
FRONT BALLAST

Fig.	Code	QTY	Name
1	0.96909.40.0	2	ballast
2	2.1310.009.2	8	flat washer 14
3	96909.50.0	1	-
3	0.96909.50.0	8	small column



Section: BODY WORK
HOOD --> 20411

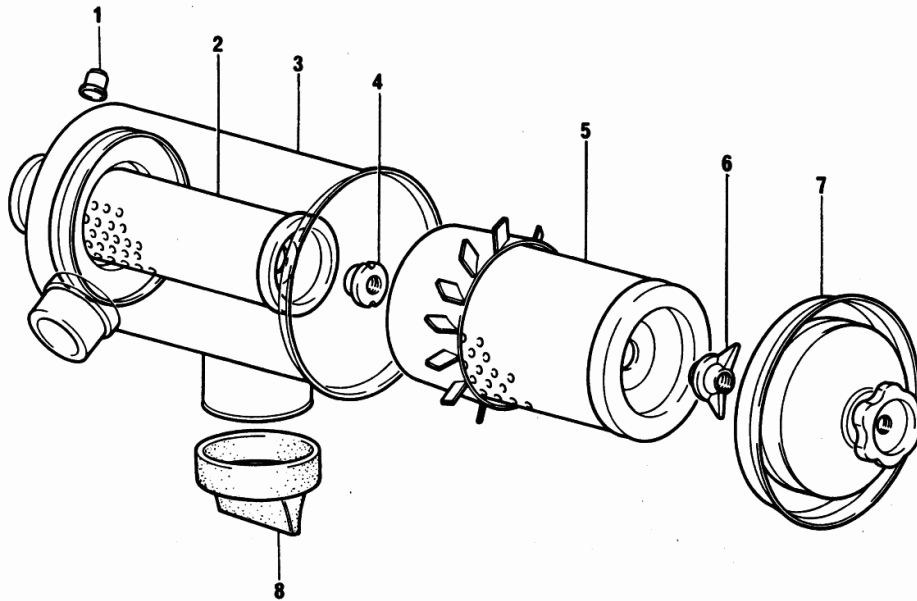
Fig.	Code	QTY	Name
1	0.252.7251.3/20	1	bonnet
2	0.257.7263.2	1	plate
4	2.1129.004.0	14	selflock nut m 4
5	0.166.7255.0	2	plate
7	0.9231.369.2	1	plate
8	0.159.7257.2	1	grille
9	0.159.7217.2	1	grille
10	2.1899.039.0	14	rivet 4.8x15.9x10.5
12	0.150.7262.2	2	rubber buffer
13	2.1699.057.2	2	pin
14	2.1439.003.0	4	circlip 6, d128
15	0.135.7461.0	2	plug
16	0.150.7258.2	1	small belt
17	0.150.7264.0	1	connection
18	2.1690.518.0	1	split pin 5x60
19	0.270.7228.2	2	plate SAME
20	0.252.7250.2/10	2	plate
21	0.252.7229.2	2	plate
22	0.252.7252.0	2	division



252-55-1 *

FIAMM AIR CLEANER COMPONENTS

Fig.	Code	QTY	Name
0	2.4249.160.0	1	air filter ☞ 2.4249.160.0
1	2.4249.160.1	1	plug
2	2.4249.060.8	1	external air filter element
3	0.000.0000.1	1	not serviceable
4	2.4249.040.1	1	nut
5	2.4249.190.1	1	external air filter element
6	2.4249.060.2	1	wing nut
7	2.4249.190.2	1	cover
8	2.4249.100.4	1	valve



2.4249.160.0 *

Section: ELECTRIC AL SYSTEM
ELECTRIC STARTING SYSTEM

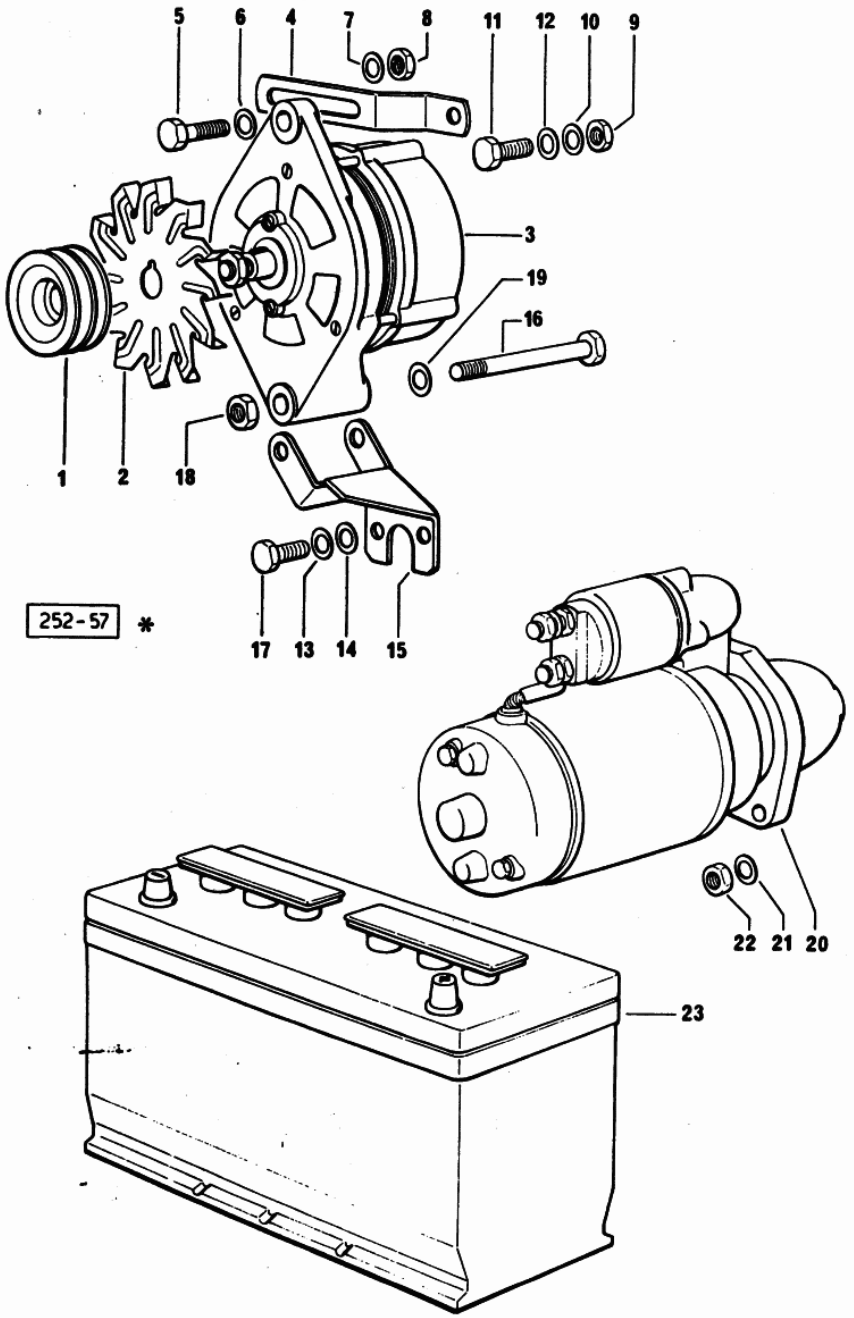


Fig.	Code	QTY	Name
------	------	-----	------

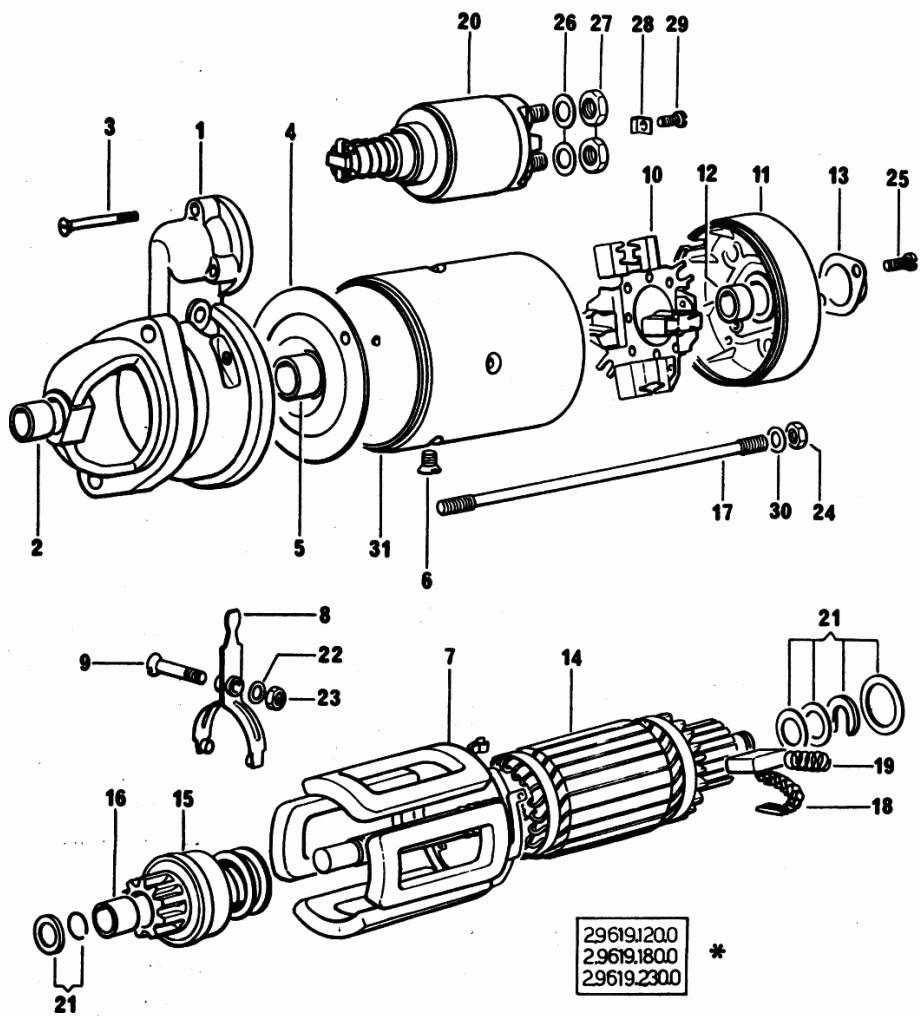
Notes:

RANGER 45 --> 1953 - 2407 <-- RANGER 45 FR. --> 20516 - 20830 <--

1	0.148.8440.0/10	1	pulley
2	0.150.8457.0	1	rotor blade
3	2.9439.090.0	1	alternator - 33 A BOSCH ☞ 08.00.14
3	2.9439.110.0	1	alternator 14V - 33A ☞ 08.00.15
4	0.159.8442.0	1	rod
5	2.0122.363.2	1	screw m 10 p.1.25 x 35
6	2.1311.007.2	2	flat washer 10
7	2.1470.006.2	1	lock washer 10
8	2.1011.421.2	1	nut m 10 p.1.25
9	2.1011.305.2	1	nut m 8 p.1 x 8
10	2.1470.004.2	1	washer 8
11	2.0122.211.2	1	screw m 8 p.1x30
12	2.1310.004.2	1	flat washer 8.5
13	2.1470.004.2	2	washer 8
14	2.1310.004.2	2	flat washer 8.5
15	0.159.8441.2	1	support
16	2.0122.385.2	1	screw m 10 p.1.25 x 130
17	2.0112.209.2	2	screw m 8 p 1.25 x 25
18	2.1011.421.2	1	nut m 10 p.1.25
19	2.1470.006.2	1	lock washer 10
20	2.9619.280.0	1	starter motor ☞ 08.00.19
20	2.9619.270.0	1	starter motor X RANGER 45 - ☞ 08.00.20
21	2.1474.011.1	2	washer 12
22	2.1011.322.1	2	nut m 12 p.1.25
23	2.9559.011.0	1	battery

STARTER PARTS

Fig.	Code	QTY	Name
0	2.9619.180.0	1	starter motor 3.5 kW, Z = 11 ☞ 2.9619.180.0
1	2.9619.181.2	1	support
2	2.9619.080.3	1	sleeve
3	2.9619.082.3	3	screw
4	2.9619.180.2	1	support
5	2.9619.090.7	1	sleeve mm 23
6	0.002.2340.0	4	screw m 10 p.1.5x18
7	2.9619.180.7	1	field winding
8	2.9619.080.4	1	lever
9	2.9619.180.5	1	screw
10	2.9619.181.0	1	brush holder
11	2.9619.083.5	1	support
12	2.9619.090.7	1	sleeve mm 23
13	2.9619.083.6	1	cover
14	2.9619.180.1	1	armature
15	2.9619.180.3	1	pinion
16	2.9619.180.4	2	sleeve
17	2.9619.180.6	2	rod
18	2.9619.180.9	1	brush set
19	2.9619.180.8	4	spring
20	2.9619.110.8	1	switch
21	2.9619.021.9	1	accessories
22	2.1470.004.2	1	washer 8
23	2.1011.205.2	1	nut m 8 p.1.25
24	2.1011.103.2	2	nut m 6 p.1
25	2.0230.309.2	2	screw m 5 p.0.8 x 14
26	2.1474.010.1	2	spring washer 10
27	0.000.0000.1	0	not serviceable
28	2.9619.090.6	1	small plate
29	2.0230.204.2	1	screw m 4 x 6
30	2.1310.002.2	2	washer 6.6, d125
31	0.000.0000.1	0	not serviceable



Section: ENGINE
CRANKSHAFT

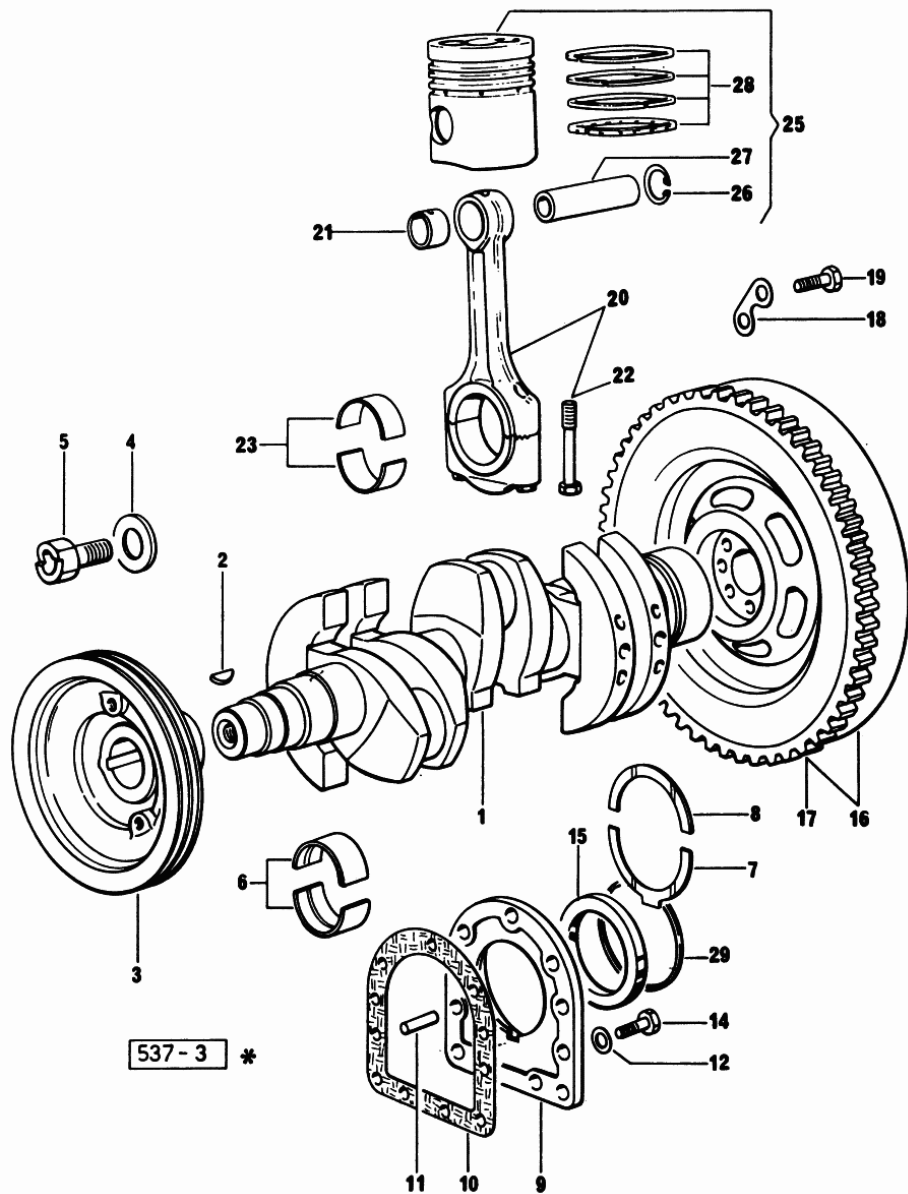


Fig.	Code	QTY	Name
1	0.029.1210.4/30	1	crank shaft X RANGER 45 - 3582 <= X RANGER 45 FR. - 35772 <=
1	0.053.1210.4/10	1	crank shaft X RANGER 45 => 35883 37006 <= ORDER ALSO N.1 2.1799.026.0 X RANGER 45 FR => 35773 39961 <= ORDER ALSO N.1 2.1799.026.0
2	2.1799.002.0	1	dowel 10x13 X RANGER 45 - 37006 <= X RANGER 45 FR. - 39961 <=
2	2.1799.026.0	1	key 10x10 X RANGER 45 => 37007 X RANGER 45 FR. => 39962
3	0.035.1244.0/20	1	pulley X RANGER 45 - 35882 <= X RANGER 45 FR. - 35772 <=
3	0.035.1265.0	1	pulley X RANGER 45 => 35888 X RANGER 45 FR. => 35773
4	0.001.6020.0	1	washer
5	2.0129.032.2	1	screw m 24 p.2x45
6	0.073.1215.0/10	1	main half bushing
6	0.073.1215.7	0	main half bushing - mm 0.25
6	0.073.1215.8	0	main half bushing - mm 0.50
6	0.073.1215.9	0	main half bushing - mm 0.75
6	0.073.1215.9	0	main half bushing - mm 0.75
7	0.042.1219.0	2	snoulder STANDARD
7	0.001.4547.0	0	snoulder + mm 0.05
7	0.001.4548.0	0	snoulder + mm 0.10
7	0.001.4549.0	0	snoulder + mm 0.15
8	0.042.1218.0	2	snoulder STANDARD
8	0.001.4544.0	0	snoulder + mm 0.05
8	0.001.4545.0	0	snoulder + mm 0.10
8	0.001.4546.0	0	snoulder + mm 0.15
9	0.028.1240.0/10	1	- 31053 <=
9	0.045.1240.0	1	flange => 31054
10	0.029.1250.0/10	1	gasket
11	2.1652.915.0	2	cylindrical plug 12x35
12	2.1474.010.1	9	spring washer 10
14	2.0112.309.2	9	screw m 10 p.1.5 x 25

CLICK HERE TO **DOWNLOAD** THE COMPLETE MANUAL

- Thank you very much for reading the preview of the manual.
- You can download the complete manual from: www.heydownloads.com by clicking the link below

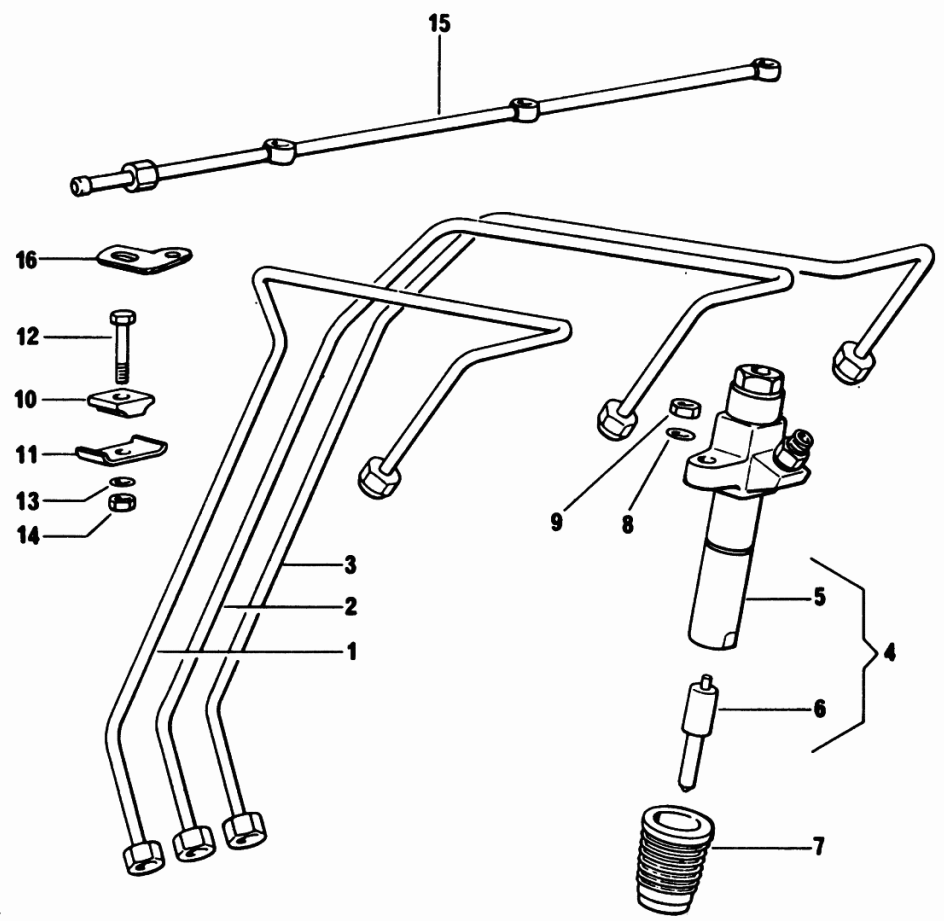


- Please note: If there is no response to CLICKING the link, please download this PDF first and then click on it.

CLICK HERE TO **DOWNLOAD** THE COMPLETE MANUAL

Section: ENGINE
FUEL SUPPLY SYSTEM

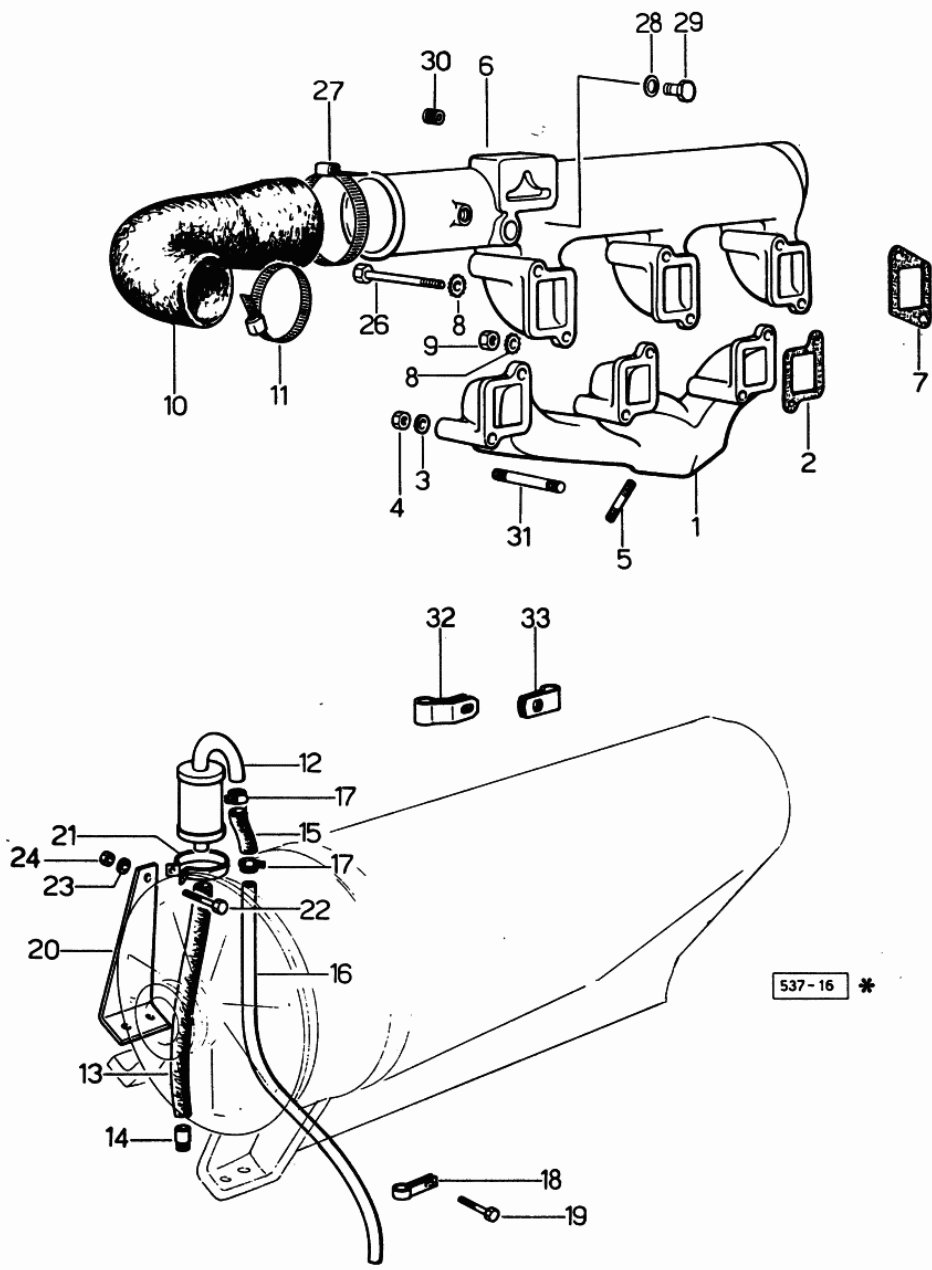
Fig.	Code	QTY	Name
1	0.038.1630.3/30	1	tube
2	0.038.1631.3/30	1	tube
3	0.038.1632.3/30	1	tube
4	2.4719.180.0	3	injector BOSCH
4	2.4719.240.0	3	injector ALTECNA
5	2.4719.010.0	3	nozzle holder BOSCH ☞ 01.00.12 ☞ 2.4719.010.0
5	2.4719.250.0	3	nozzle holder ALTECNA ☞ 01.00.13
6	2.4729.010.0	3	nozzle BOSCH
6	2.4729.120.0	3	nozzle ALTECNA
7	0.041.1647.0	3	cooling jacket
8	2.1599.140.1	6	snoulder
9	2.1099.009.1/10	6	nut
10	0.021.1668.0	3	small block
11	0.002.8816.0	4	small plate
12	2.0112.007.2	4	screw m 6 p.1 x 20
13	2.1470.002.2	4	washer 6, d128
14	2.1011.103.2	4	nut m 6 p.1
15	0.029.1640.4	1	tube
16	0.048.1655.0	1	square



537-10 *

Section: ENGINE
INTAKE AND EXHAUST

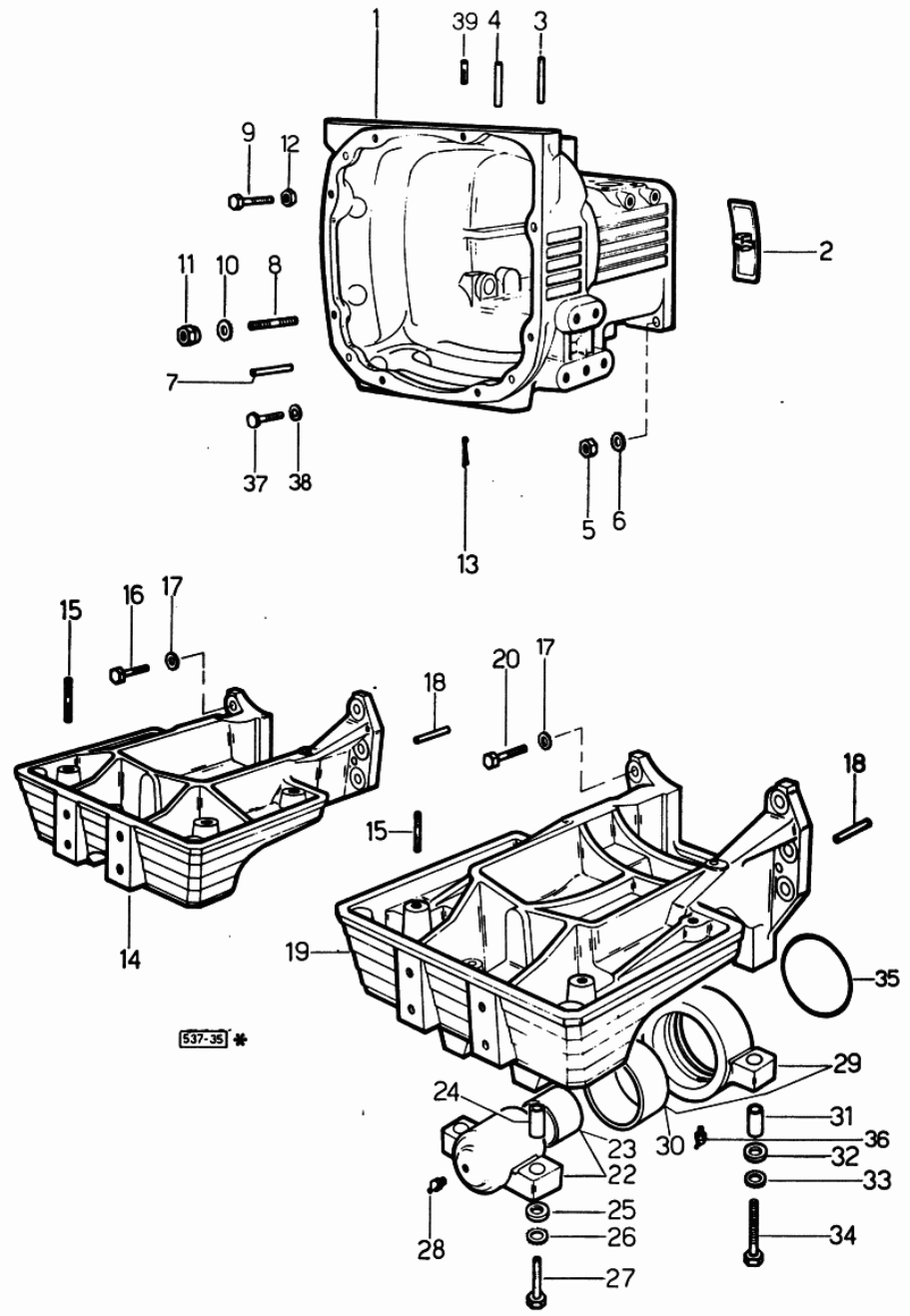
Fig.	Code	QTY	Name
1	0.035.1863.0	1	exhaust manifold
2	0.052.1858.0	3	gasket mm 1.5
3	2.1310.004.2	6	flat washer 8.5
4	2.1019.033.0	6	special nut m 8 p.1 x 8
5	2.0432.155.7	2	stud bolt m 10 p.1.5 / p. 1.25 x 25
6	0.054.1820.3/10	1	air intake manifold
7	0.062.1859.0	3	gasket
8	2.1474.009.1	6	spring washer 8
9	2.1011.405.2	3	nut m 8 p.1
10	0.166.8151.0/10	1	sleeve
11	2.6850.011.0	2	clamp 50-70
12	0.029.1857.2	1	sediment bowl
13	0.027.1854.0/10	1	tube
14	0.037.1831.0	1	pipe fitting
15	0.021.1861.0	1	tube
16	0.027.1856.0	1	tube
			FOR RANGER 45
16	0.034.1863.0	1	tube
			FOR RANGER 45 F
17	2.6850.004.0	4	clamp 20-35
18	2.6859.027.2	1	-
19	2.0112.502.2	1	screw m 14 p.2x10
20	0.027.1855.0	1	square
21	0.038.1856.0	1	clamp
22	2.0112.007.2	1	screw m 6 p.1 x 20
23	2.1310.002.2	1	washer 6.6, d125
24	2.1011.103.2	1	nut m 6 p.1
26	2.0112.227.2	3	screw m 8 p.1.25 x 90
27	2.6850.012.0	1	clamp 60-80
28	2.1560.016.0	1	gasket 20.2 x 26
29	2.3199.103.2	1	plug m 20 p.1.5
30	2.3139.007.1	1	plug 1/8" x 7.37
31	2.0432.023.1	3	stud bolt
32	0.034.1862.0/10	1	clamp
			FOR RANGER 45
33	2.6899.507.2	1	clamp
			FOR RANGER 45 F



Section: FRONT AXEL

JUNCTION CASE AND FRONT SUPPORT

Fig.	Code	QTY	Name
31	2.1559.010.0	2	bushing 18.5x24x35 4WD
32	2.1579.186.0	2	spacer 4WD
33	2.1470.010.2	2	lock washer 18 4WD
34	2.0112.729.1	2	screw 4WD
35	2.1530.205.0	1	'o' ring 101.2x5.34 4WD
36	2.3821.103.2	1	lubricator m 10 p.1 4WD
37	2.0112.204.2	2	screw m 8 p.1.25x14
38	2.1470.004.2	2	washer 8
39	2.0512.303.1	1	screw m 10 p.1.5 x 10



RANGER 45

GEAR

GENERAL

CLUTCH.....	02.00.1
CLUTCH WITH INDEPENDENT P.T.O. CONTROL.....	02.00.2
CLUTCH CONTROL.....	02.00.3
INDEPENDENT CLUTCH CONTROL FOR P.T.O.....	02.00.4
INDEPENDENT CLUTCH CONTROL FOR P.T.O.....	02.00.5
GEARBOX.....	02.00.6
MAIN SHAFT - TRANSMISSION SHAFT.....	02.00.7
REDUCTION GEAR UNIT - REVERSE GEAR SHAFT.....	02.00.8
GEARSHIFT LEVER.....	02.00.9
DIFFERENTIAL.....	02.00.10
DIFFERENTIAL LOCK CONTROL.....	02.00.11

Section: GEAR
GEARSHIFT LEVER

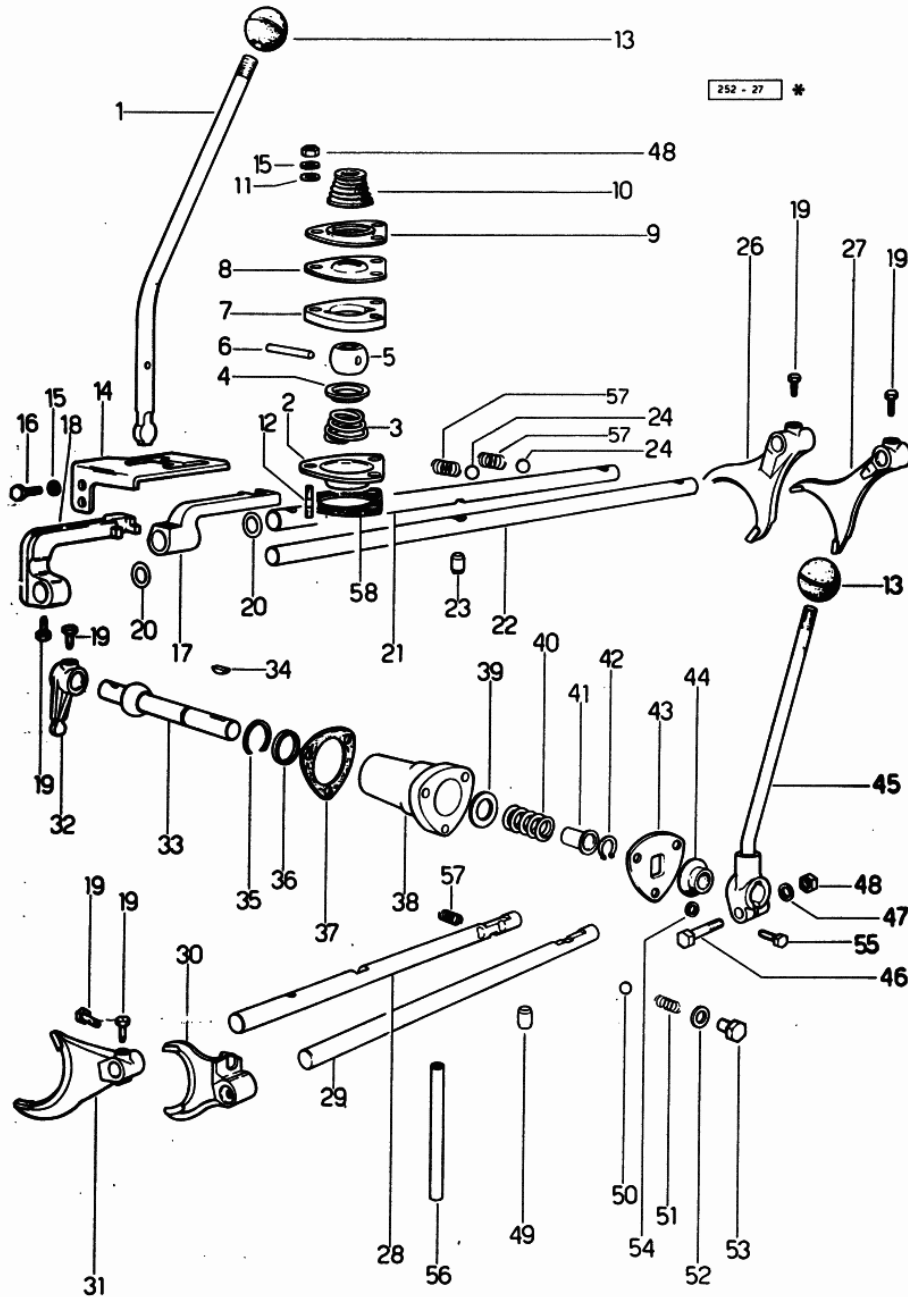


Fig.	Code	QTY	Name
1	0.151.6410.0/10	1	gear lever
2	0.151.6456.0/10	1	support
3	2.4029.005.1	1	spring
4	0.149.6414.0	1	cup
5	0.151.6455.0/10	1	ball
6	2.1699.067.0/10	1	pin
7	0.151.6466.0	1	spacer
8	0.151.6412.0/10	1	support
9	0.159.6450.0	1	support
10	0.159.6415.0/10	1	guard
11	2.1310.004.2	3	flat washer 8.5
12	2.0432.007.1	3	stud bolt m 8 p.1.25 / p.1 x 30
13	0.161.6413.0	2	grip m 14 p.2
14	0.151.6457.0/10	1	bracket
15	2.1470.004.2	5	washer 8
16	2.0112.204.2	2	screw m 8 p.1.25x14
17	0.151.6426.0/20	1	rod-head
18	0.151.6452.0/20	1	rod-head
19	2.0399.019.1	7	screw m 8 p.1 x 16
20	2.1529.035.0	2	'o' ring 18x26x8
21	0.151.6420.0/10	1	rod
22	0.151.5421.0	1	-
23	0.151.6425.0	1	ferrule
24	2.2810.006.0	2	ball 3/8" WD
26	0.151.6430.0	1	fork
27	0.151.6431.0	1	fork
28	0.151.6451.0/10	1	rod
29	0.151.6450.0	1	rod
30	0.151.6453.0	1	fork
31	0.151.5454.0	1	-
32	0.151.6459.0	1	lever
33	0.151.6471.0	1	shaft
34	2.1720.005.0	1	key 4x5
35	2.1423.027.7	1	circlip 37x1.5
36	2.1521.029.0	1	oil seal
37	0.151.6464.0	1	gasket
38	0.151.6470.0	1	support
39	2.1599.183.0	1	snoulder
40	2.4019.115.1	1	spring
41	0.151.6463.0	1	bushing
42	2.1410.004.1	1	circlip 16
43	0.151.6462.0	1	flange
44	0.151.6465.0	1	guard
45	0.151.6411.3	1	lever

RANGER 45

S.A.C.

GENERAL

S.A.C. CASE.....	0D.00.1
HYDRAULIC PUMP FOR HYDROSTATIC STEERING.....	0D.00.2
HYDRAULIC PUMP FOR MECHANICAL STEERING.....	0D.00.3
HYDRAULIC PUMP VERSION WITHOUT S.A.C.....	0D.00.4
HYDRAULIC PUMP PARTS.....	0D.00.5
LIFTING.....	0D.00.6
REGULATING DISTRIBUTOR.....	0D.00.7
INTERNAL AND EXTERNAL CONTROLS.....	0D.00.8
CONTROL TIE RODS AND LEVERS.....	0D.00.9
SENSITIVE ELEMENTS.....	0D.00.11
DOUBLE-ACTING HYDRAULIC CONTROL VALVE.....	0D.00.12
SINGLE-ACTING HYDRAULIC CONTROL VALVE.....	0D.00.13

Section: S.A.C.
REGULATING DISTRIBUTOR

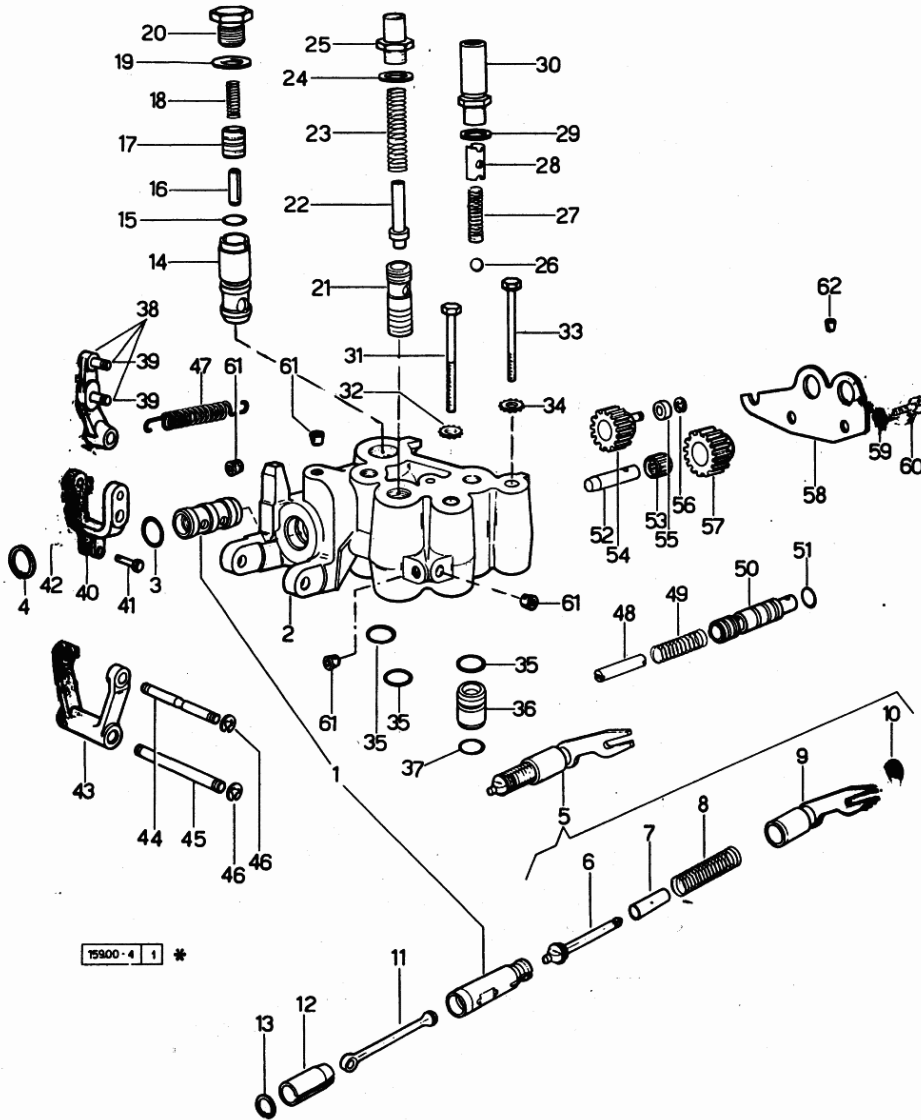


Fig.	Code	QTY	Name
0	0.9015.420.4/10	1	body
1	0.9015.450.3	1	sleeve
2	0.9015.420.0/20	1	body
3	2.1530.072.0	3	'o' ring 26.70x1.78
4	2.1411.011.1	1	circlip 28
5	0.9015.413.4/20	1	lever
6	0.9015.414.0	1	shaft
7	2.1579.178.0/10	1	spacer
8	2.4019.129.1	1	spring
9	0.9015.413.0/10	1	lever
10	2.1499.005.0	1	circlip
11	0.9015.422.0	1	ferrule
12	0.001.3694.0	1	spacer
13	2.1411.001.1	1	circlip 10
14	0.9015.457.0	1	valve seat
15	2.1530.037.0	1	'o' ring 15.08x2.62
16	0.9015.456.0	1	small piston
17	0.9015.455.0	1	small piston
18	2.4019.284.1	1	spring
19	2.1560.020.0	1	gasket 24.3x32
20	2.3119.010.0	1	plug
21	0.9015.531.0	1	small piston
22	0.9016.532.0	1	pin
23	2.4019.006.1	1	spring 12.2x70x1.2
24	2.1560.054.0	1	gasket 21 x 26
25	0.9016.555.0/10	1	plug
26	2.2810.010.0	1	ball mm 12.700
27	2.4019.125.1	1	spring
28	0.9015.458.0	1	spacer
29	2.1560.012.0	1	gasket 16.2 x 22 x 1.5
30	0.9012.539.3/10	1	valve
31	2.0112.426.1	2	screw m 12 p.1.75x85
32	2.1470.007.2	2	lock washer 12
33	2.0112.325.2	1	screw m 10 p.1.5 x 80
34	2.1470.006.2	1	lock washer 10
35	2.1530.048.0	3	'o' ring 18.72x2.62
36	0.9015.459.0	1	valve seat
37	2.1530.037.0	1	'o' ring 15.08x2.62
38	0.9015.435.3	1	lever
39	0.001.3701.0	2	pin
40	0.9015.438.0	1	lever
41	2.1670.105.2	1	pin 6x22x19
42	2.1690.206.2	1	split pin 2x16
43	0.9015.429.0	1	lever

STEERING CONTROL

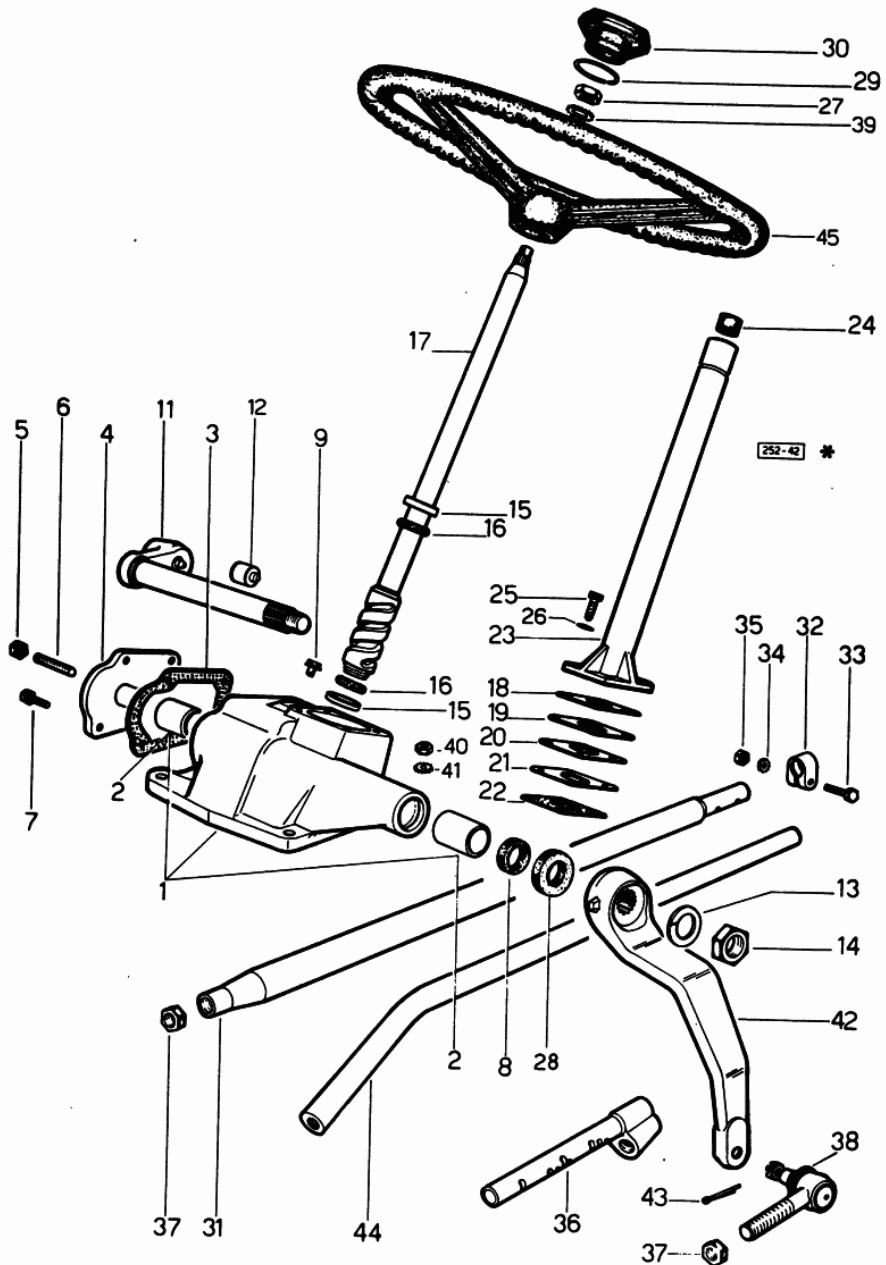


Fig.	Code	QTY	Name
0	0.151.6210.4/10	1	steering box
1	0.003.8965.0	1	steering box
2	0.003.8966.0	2	bushing
3	0.003.8971.0	1	gasket
4	0.003.8970.0	1	cover
5	2.1011.422.2	1	nut m 12 p.1.25
6	0.139.6251.0	1	screw m 12 p.1.25
7	2.0112.207.2	1	screw m 8 p 1.25 x 20
8	2.1510.012.0	1	oil seal
9	0.003.6707.0/10	1	plug
11	0.005.7118.0	1	steering shaft
12	0.005.7107.4	1	pin
13	0.003.8963.0	1	washer 22
14	0.003.8962.0	1	nut m 22 x 1.5
15	0.139.6252.0	2	ball race
16	2.2810.002.0	34	ball mm 6.350
17	0.003.8968.0	1	steering shaft
18	0.139.6254.0	1	shim mm 0.05
19	0.139.6255.0	1	shim mm 0.20
20	0.139.6256.0	1	shim mm 0.50
21	0.139.6256.0	1	shim mm 0.50
22	0.139.6257.0	1	gasket mm 0.15
23	0.003.8972.0/10	1	steering column
24	0.139.6217.0	1	bushing
25	2.0112.209.2	4	screw m 8 p 1.25 x 25
26	2.1470.004.2	4	washer 8
27	0.003.8964.0	1	nut
28	0.003.8961.0	1	dust guard
29	2.1429.010.0	1	circlip
30	0.224.6111.0	1	small cap
31	0.151.6123.0	1	rod
32	0.001.3861.0	2	terminal
33	2.0122.367.2	2	screw m 10 p.1.25 x 45
34	2.1470.006.2	2	lock washer 10
35	2.1011.321.2	2	nut m 10 p.1.25
36	0.150.6125.0	1	tip
37	2.1011.510.1	2	nut m 18 p.1.5
38	0.135.4237.4	2	ball joint

CLICK HERE TO **DOWNLOAD** THE COMPLETE MANUAL

- Thank you very much for reading the preview of the manual.
- You can download the complete manual from: www.heydownloads.com by clicking the link below



- Please note: If there is no response to CLICKING the link, please download this PDF first and then click on it.

CLICK HERE TO **DOWNLOAD** THE COMPLETE MANUAL