

MINITAURO 60 C

ACCESSORIES

GENERAL

3 POINT HITCH.....	0E.00.1
FRONT PERMANENT TOWING HITCH.....	0E.00.2
PERMANENT REAR TOWING HITCH.....	0E.00.3
TOWING BAR.....	0E.00.4
TOWING BAR.....	0E.00.5
FRONT BALLAST.....	0E.00.6
TOOL POUCH.....	0E.00.7

CLICK HERE TO **DOWNLOAD** THE COMPLETE MANUAL

- Thank you very much for reading the preview of the manual.
- You can download the complete manual from: www.heydownloads.com by clicking the link below

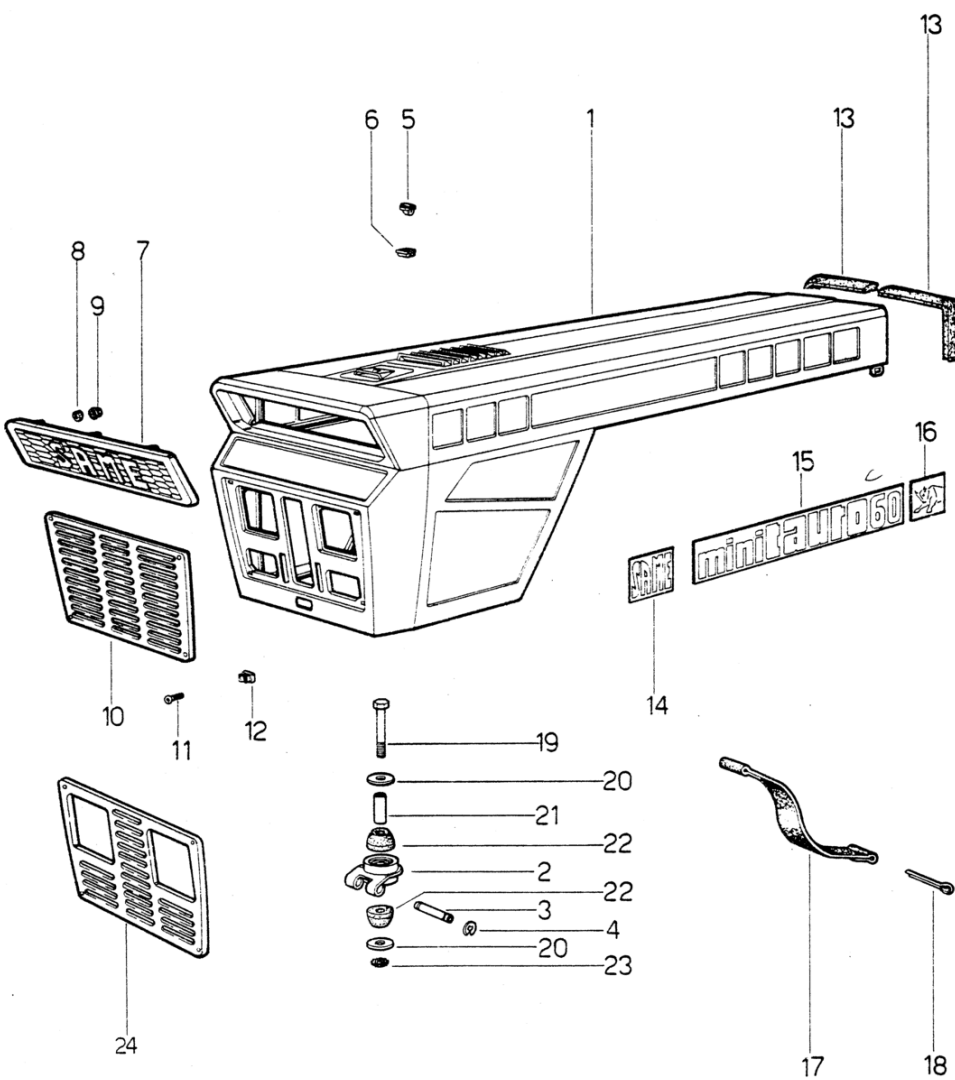


- Please note: If there is no response to CLICKING the link, please download this PDF first and then click on it.

CLICK HERE TO **DOWNLOAD** THE COMPLETE MANUAL

Section: BODY WORK
HOOD

Fig.	Code	QTY	Name
1	0.146.7210.3/40	1	old part 27734 <-
1	0.160.7210.3	1	bonnet >- 27735
2	0.003.1475.3	2	hinge
3	2.1699.027.02	2	-
4	2.1430.007.2	4	circlip 6, d128
5	0.155.7252.0	1	pin
6	0.155.7253.0	1	pin seat
7	0.146.7215.2	1	front grille
8	0.155.7250.0	6	spacer
9	2.1129.004.0	6	selflock nut m 4
10	0.135.7216.0	1	front grille
11	2.0322.307.2	4	screw m 5 x 20
12	2.6999.007.2	4	special nut
13	0.135.7252.0	2	gasket
14	0.160.7251.0	2	plate
15	0.146.7225.0/30	2	plate
16	0.146.7251.0/10	1	plate sx/lh/li
17	0.135.7222.2	1	small belt 27734 <- >- 27735
17	0.160.7222.2	1	small belt >- 27735
18	2.1690.516.0	2	split pin a5x50
19	2.0112.422.2	2	screw m 12 p.1.75 x 65
20	2.1599.025.2	4	snoulder
21	0.003.0768.0	2	spacer
22	0.003.0774.0	4	stopper
23	2.1470.007.2	2	lock washer 12
24	0.135.7694.0	1	front grille



Section: ELECTRIC AL SYSTEM
ELECTRIC LIGHTING SYSTEM

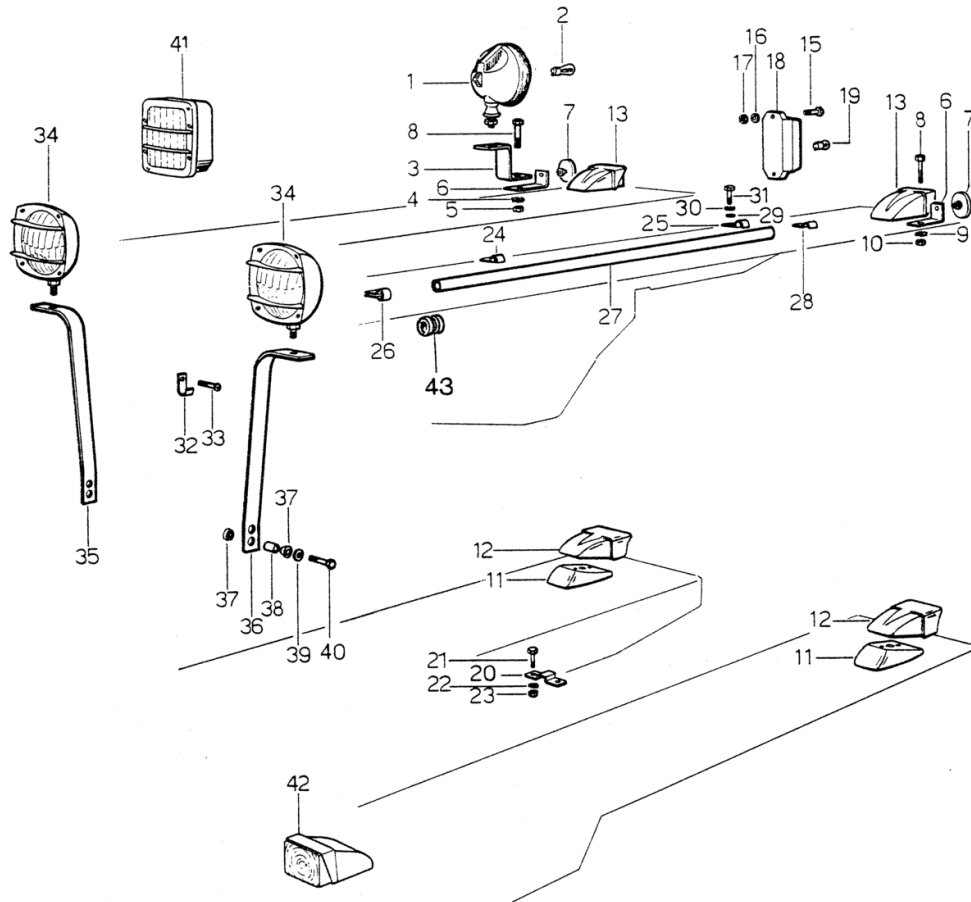
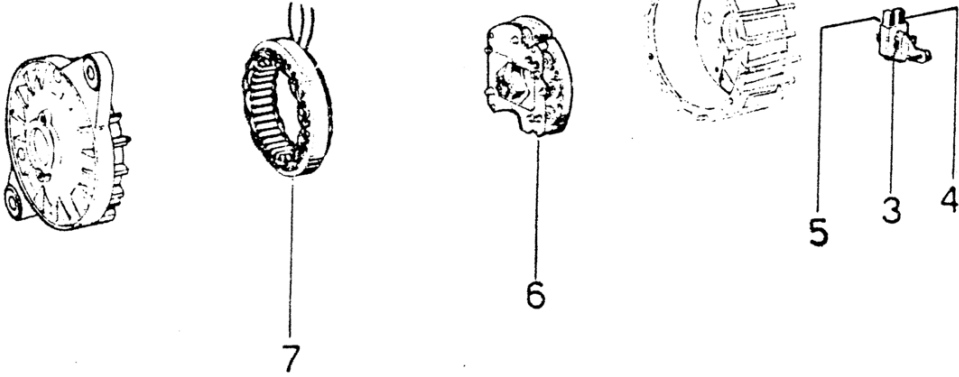


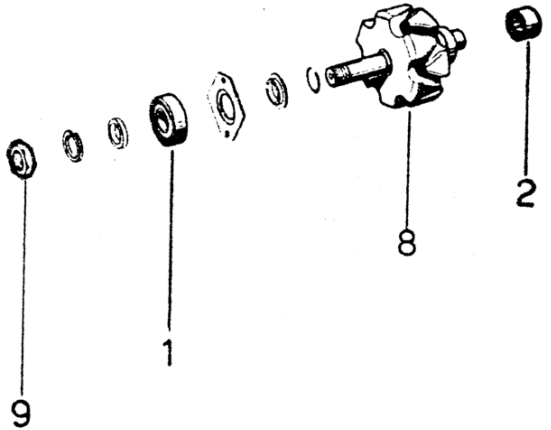
Fig.	Code	QTY	Name
1	2.8029.300.0	1	headlight ☞ 2.8029.300.0
1	2.8029.120.1	1	light body
1	2.8029.120.2	1	gasket
2	2.8313.001.0	1	lamp 12V 21W
2	2.8210.004.0	1	lamp 12V-35W
3	0.157.8550.0	1	support
4	2.1470.006.2	1	lock washer 10
5	2.1011.406.2	1	nut m 10 p.1
6	0.146.7651.0	2	square
7	2.8349.003.0/10	2	reflector
8	2.0122.359.2	1	screw m 10 p.1.25 x 25
9	2.1470.006.2	1	lock washer 10
10	2.1011.406.2	1	nut m 10 p.1
11	0.154.8552.2	2	support
12	2.8019.100.0	2	side lamp dx/rh/re ☞ 08.00.2
13	2.8019.340.0	2	side lamp
15	2.0230.208.2	2	screw
16	2.1311.002.1	2	flat washer m 4
17	2.1011.101.2	2	nut m 4 p.0.7
18	2.8029.240.0	1	side lamp -> 17777
19	2.8311.005.0	1	lamp 12 V, 5 W
20	2.6810.007.2	1	bracket
21	2.0112.005.2	1	screw m 6 p.1 x 16
22	2.1470.002.2	1	washer 6, d128
23	2.1011.103.2	1	nut m 6 p.1
24	2.6819.005.1	1	bracket
25	2.6819.005.1	3	bracket
26	2.6839.024.2	2	clamp
27	0.146.8550.0	1	old part
28	2.6810.007.2	1	bracket
29	2.1310.002.2	1	washer 6.6, d125
30	2.1470.002.2	1	washer 6, d128
31	2.0112.005.2	1	screw m 6 p.1 x 16
32	2.6819.004.2	4	clamp Ø 17
33	2.0332.309.2	2	screw m 5 x 30
34	2.8029.010.0/10	2	lamp ☞ 08.00.2
35	0.149.8544.2	1	old part
36	0.149.8545.2	1	old part
37	0.135.8574.0	8	rubber plug
38	0.135.8573.0	4	spacer

Section: ELECTRIC AL SYSTEM
ALTERNATOR PARTS - BOSCH

Fig.	Code	QTY	Name
0	2.9439.050.0	1	alternator 25959 <-
1	2.2040.104.0	1	ball bearing
2	2.9439.020.5	1	bearing
3	2.9439.020.1	1	brush holder
4	2.9439.070.4	1	brush set
5	2.9439.020.3	2	spring
6	2.9439.020.4	1	plate
7	2.9439.020.6	1	coil
8	2.9439.050.1	1	rotor
9	2.1011.508.1	1	nut



m-119



Section: ENGINE
CRANKCASE

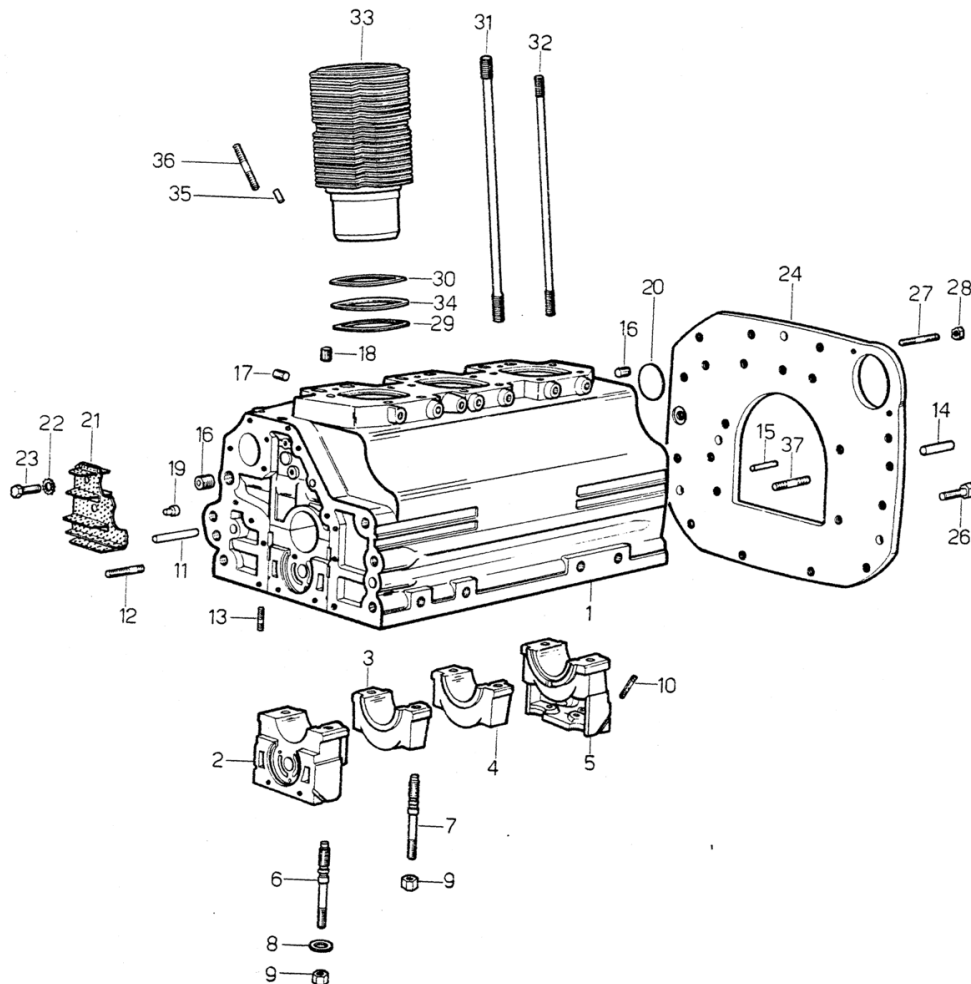
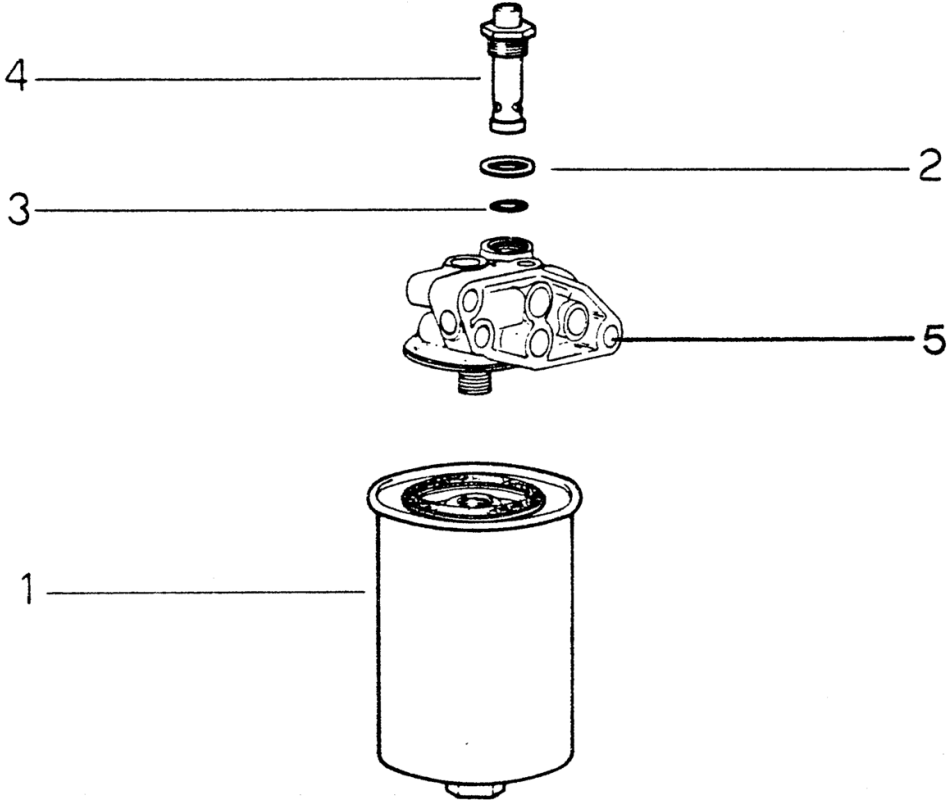


Fig.	Code	QTY	Name
0	0.038.0050.6	1	old part FOR INSTALLATION OF ENGINE - 11710 <-
0	0.038.0050.6	1	old part FOR INSTALLATION OF ENGINE - 11710 <-
1	0.035.1110.4/20	1	old part 11710 <- ORDER AT SAME TIME - 1x FLANGE 027.1154.0/30 - 1x PLATE 029.1155.2/10 - 1x GASKET 029.1153.0/10 - 1x FLANGE 029.130.0/10#
2	0.029.1112.0	1	support
3	0.029.1113.0	1	support
4	0.029.1113.0	1	support
5	0.029.1113.0	1	support
6	0.021.1157.0	4	stud bolt
7	0.029.1117.0	4	stud bolt
8	2.1599.144.0	8	ring
9	2.1019.026.1	8	special nut m 12 p.1.5
10	0.029.1154.0	4	gasket
11	2.1699.116.0	1	pin
12	2.0432.018.1	6	stud bolt m 8 p.1.25 / p.1 x 65
13	2.0432.003.1	24	stud bolt m 8 p.1.25 / p.1 x 20
14	2.1652.911.0	2	cylindrical plug 12x25
15	2.1653.708.0	2	pin
16	2.3130.002.1	2	plug 1/4" gas
17	2.3139.001.0	3	plug m 12 p.1.75
18	2.3130.001.1	3	plug 1/8" gas
19	2.1699.021.0	1	pin
20	2.3170.022.1	1	expansion plug 60
21	0.029.1155.2	1	old part 11710 <-
21	0.029.1155.2/10	1	lamination > 11711
22	2.1470.002.2	2	washer 6, d128
23	2.0112.003.2	2	screw m 6 p.1 x 12
24	0.029.1130.0/10	1	flange
25	2.1470.008.2	11	lock washer 14
26	2.0112.511.1	11	screw m 14 p.2 x 30
27	2.0439.033.1	2	stud bolt m 10x28
28	2.1011.106.2	2	nut m 10 p.1.5
29	2.1589.036.0	3	snoulder
30	2.1589.037.0	5	snoulder

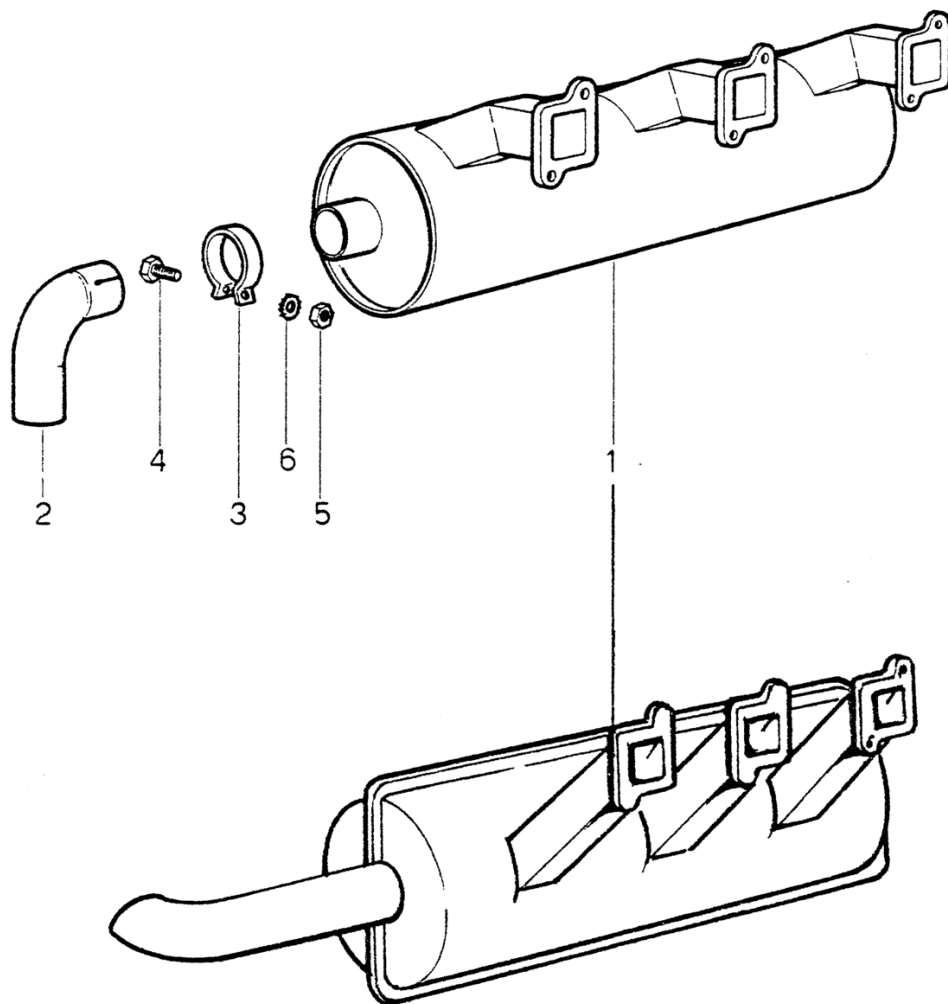
Section: ENGINE
DETAILS OF OIL FILTER

Fig.	Code	QTY	Name
0	2.4419.130.0/10	1	oil filter
1	2.4419.150.1	1	oil filter element
2	2.4419.130.3	1	gasket
3	2.1530.045.0	1	'o' ring 17.86x2.62
4	2.4419.130.2	1	valve
5	0.000.0000.1	1	not serviceable



Section: ENGINE
EXHAUST PIPE

Fig.	Code	QTY	Name
1	0.424.5610.2/10	1	silencer
2	0.035.1860.0	1	sleeve 27735 <-
3	0.038.1856.0	1	clamp
4	2.0112.005.2	1	screw m 6 p.1 x 16
5	2.1011.103.2	1	nut m 6 p.1
6	2.1470.002.2	1	washer 6, d128



Section: GEAR
GEARBOX

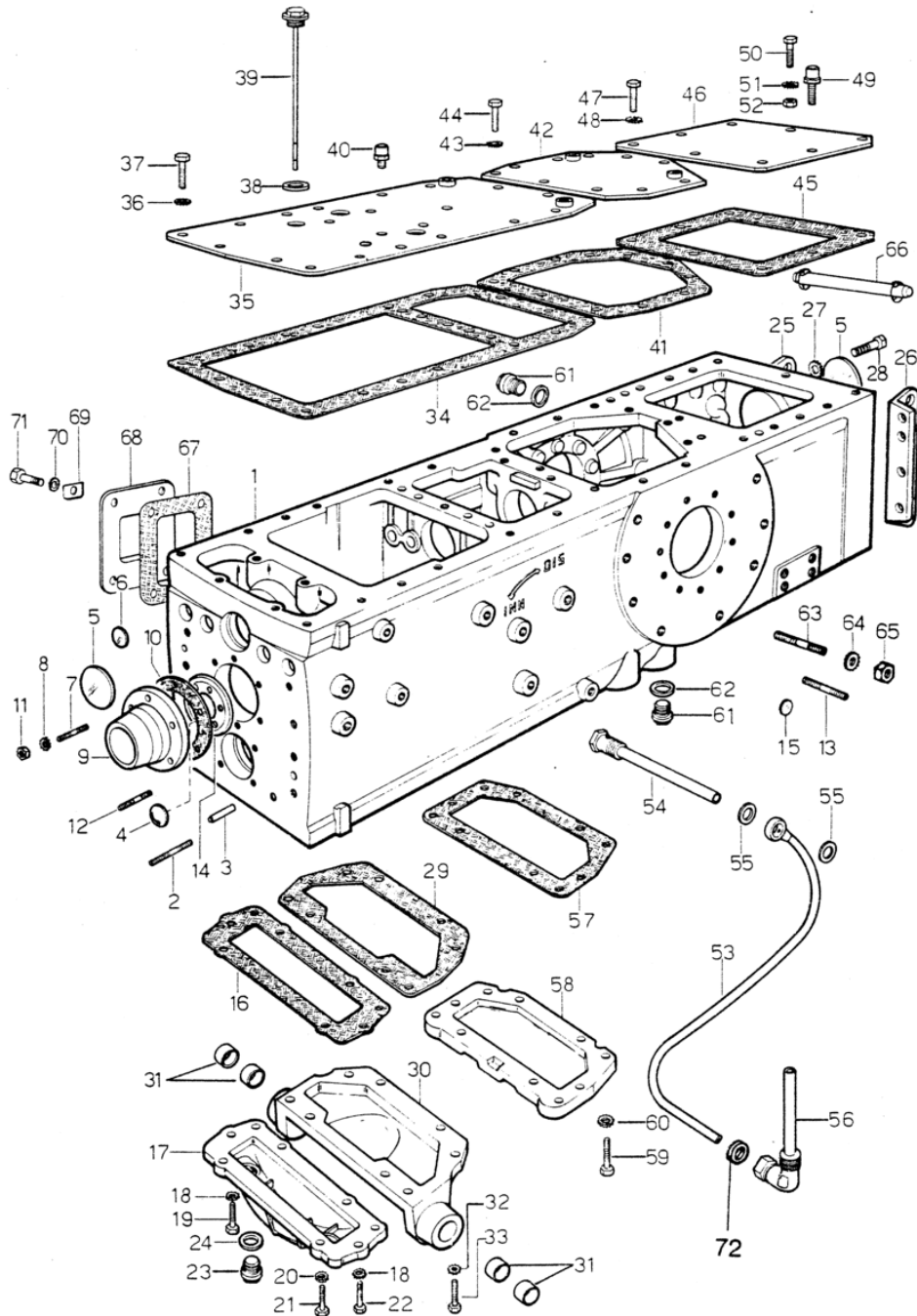


Fig.	Code	QTY	Name
0	0.160.0020.6	1	gasket set - FOR GEARBOX AND WHEEL SUPPORTS ASSEMBLY
1	0.160.3110.0/10	1	old part
2	2.0432.309.1	8	stud bolt
3	2.1699.005.0	2	pin
4	2.3170.014.1	1	expansion plug
5	2.3170.020.1	2	expansion plug 50
6	2.3170.009.1	1	expansion plug 22
7	2.0432.003.1	6	stud bolt m 8 p.1.25 / p.1 x 20
8	2.1470.004.2	6	washer 8
9	0.146.3112.0	1	support
10	0.146.3150.0	1	gasket
11	2.1011.405.2	6	nut m 8 p.1
12	2.0432.315.1	2	stud bolt
13	2.0432.161.1	20	old part
14	0.146.3159.0	1	small disc
15	2.3170.007.1	1	expansion plug
16	0.146.3154.0/10	1	gasket
17	0.194.3125.0	1	old part
18	2.1470.007.2	4	lock washer 12
19	2.0112.419.1	1	screw m 12 p.1.75 x 50
20	2.1470.006.2	4	lock washer 10
21	2.0112.309.2	2	screw m 10 p.1.5 x 25
21	2.0112.311.2	2	screw m 10 p.1.5 x 30
22	2.0112.409.2	3	screw m 12 p.1.75 x 25
23	2.3130.004.1	1	plug 1/2 gas
24	2.1560.054.0	1	gasket 21 x 26
25	0.160.3151.0	1	support
26	0.160.3152.0	1	support
27	2.1470.008.2	8	lock washer 14
28	2.0112.513.1	8	screw m 14 x 35
29	0.160.3150.0	1	gasket
30	0.160.3124.3	1	cover
31	2.1559.131.0	4	bushing
32	2.1470.006.2	8	lock washer 10
33	2.0112.309.2	8	screw m 10 p.1.5 x 25
34	0.146.3151.0	1	gasket
35	0.149.3121.2	1	cover
36	2.1470.004.2	16	washer 8
37	2.0112.205.2	16	screw m 8 p.1.25 x 16
38	2.1560.026.0	1	gasket 35.3x41
39	0.146.3165.3	1	dipstick
40	0.001.6590.3	1	breather m 12x15

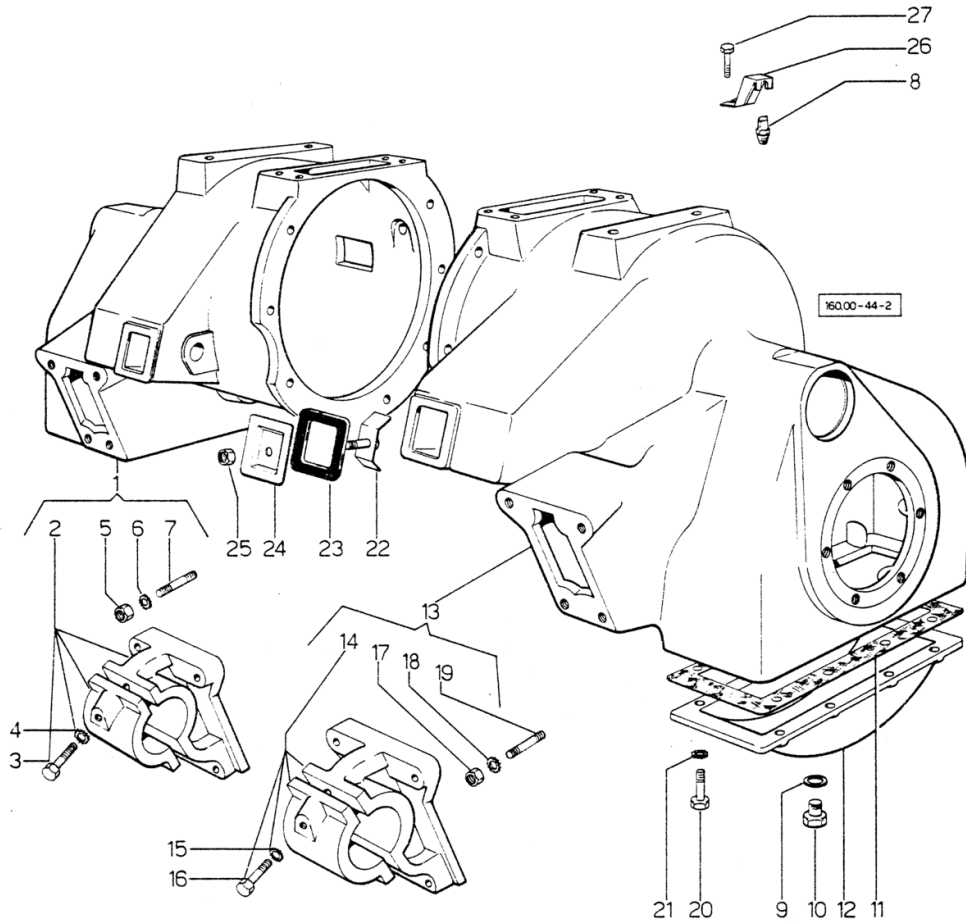
Section: REAR AXLE

REAR AXLE

Fig.	Code	QTY	Name
------	------	-----	------

Notes:

- MOUNTAIN TYPE



1	0.160.4454.3/20	1	reduction box
2	0.003.5064.3	1	support -> 27330
3	2.0122.725.1	2	screw m 18 p.1.5x80
4	2.1470.010.2	2	lock washer 18
5	2.1011.110.1	4	nut
6	2.1470.010.2	4	lock washer 18
7	2.0432.517.1	4	stud bolt
8	0.135.4363.3	2	valve
9	2.1560.017.0	4	gasket 22.2 x 27
10	2.3199.001.2	4	plug 1/2" gas
11	0.160.4453.0	2	gasket
12	0.160.4432.0	2	cover
13	0.160.4455.3/20	1	reduction box
14	0.003.5064.3	1	support -> 27330
15	2.1470.010.2	2	lock washer 18
16	2.0122.725.1	2	screw m 18 p.1.5x80
17	2.1011.110.1	4	nut
18	2.1470.010.2	4	lock washer 18
19	2.0432.517.1	4	stud bolt
20	2.0112.309.2	16	screw m 10 p.1.5 x 25
21	2.1470.006.2	8	lock washer 10
22	0.160.4451.2	4	small plate
23	0.160.4452.0	4	gasket
24	0.160.4450.0	4	cover
25	2.1011.105.2	4	nut m 8 p.1.25
26	0.160.4456.0	2	guard
27	2.0112.305.2	2	screw m 10 p.1.5 x 16

INTERNAL AND EXTERNAL CONTROLS

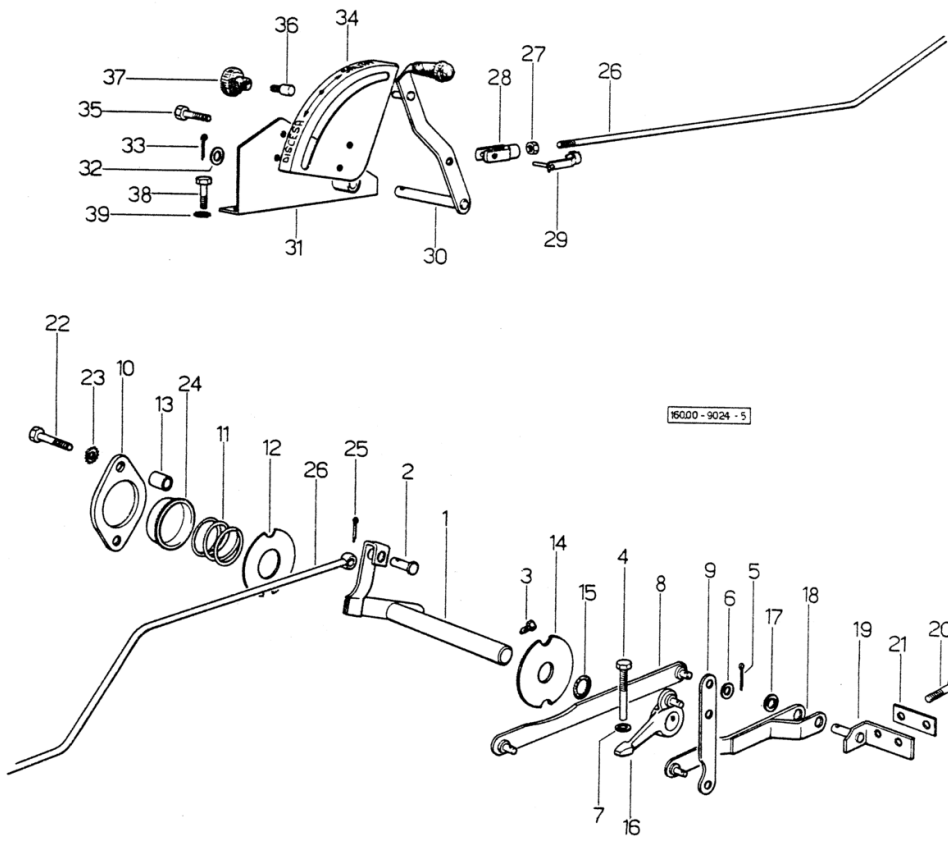


Fig.	Code	QTY	Name
1	0.9024.550.0	1	lever
2	2.1670.407.2	1	pin 10 x 28 x 24.5
3	0.9024.551.0	1	screw
4	0.9024.552.0	1	screw
5	2.1690.206.2	5	split pin 2x16
6	2.1311.006.2	4	flat washer 8
7	2.1311.008.1	3	flat washer 12
8	0.9024.553.0	1	rod
9	0.9024.554.0	1	rocker
10	0.9024.555.0	1	flange
11	0.9024.556.0	1	spring
12	0.9024.557.0	1	disc
13	0.9024.558.0	2	old part
14	0.9024.559.0	1	disc
15	0.9024.560.0	1	gasket
16	0.9024.561.0	1	lever
17	2.1311.007.2	1	flat washer 10
18	0.9024.562.0	1	rod
19	0.9024.563.0	1	old part
20	2.0122.357.2	2	screw m 10 p.1.25 x 20
21	0.9024.564.0	1	small plate 27329 <-
22	2.0112.313.2	2	screw m 10 p.1.5 x 35
23	2.1470.006.2	2	lock washer 10
24	0.9024.565.0	1	cup
25	2.1690.307.2	1	split pin 3.2x18
26	0.9024.626.2	1	rod
27	2.1011.205.1	1	nut m 8 p.1.25
28	0.9024.650.0	1	fork
29	0.9024.651.0	1	spring
30	0.9024.566.0	1	lever
31	0.9024.567.0	1	support
32	2.1311.008.1	1	flat washer 12
33	2.1690.312.0	1	split pin
34	0.9024.568.0	1	sector
35	2.0112.004.2	2	screw m 6 p.1 x 14
36	0.9024.569.0	1	pin
37	0.9024.570.0	1	knob
38	2.0112.207.2	2	screw m 8 p 1.25 x 20
39	2.1470.004.2	2	washer 8

CLICK HERE TO **DOWNLOAD** THE COMPLETE MANUAL

- Thank you very much for reading the preview of the manual.
- You can download the complete manual from: www.heydownloads.com by clicking the link below



- Please note: If there is no response to CLICKING the link, please download this PDF first and then click on it.

CLICK HERE TO **DOWNLOAD** THE COMPLETE MANUAL