

KRYPTON F 88 M -> 2001

ACCESSORIES

GENERAL

6-WAY AUXILIARY DISTRIBUTOR.....	0E.00.1
6-WAY AUXILIARY DISTRIBUTOR.....	0E.00.2
10-WAY AUXILIARY DISTRIBUTOR.....	0E.00.3
10-WAY AUXILIARY DISTRIBUTOR.....	0E.00.4
REINFORCED 3-POINT LINKAGE.....	0E.00.5
REINFORCED 3-POINT LINKAGE.....	0E.00.6
3-POINT LINKAGE WITH AUTOMATIC COUPLERS A = mm 726.....	0E.00.7
3-POINT LINKAGE WITH AUTOMATIC COUPLERS A = mm 726.....	0E.00.8
FRONT TOWING HITCH.....	0E.00.11
TOWING BAR mm 1603.5.....	0E.00.13
CURVED CROSS MEMBER FOR DRAWBAR.....	0E.00.14
FRONT BALLAST n. 4.....	0E.00.16
FRONT BALLAST n. 8.....	0E.00.17
FRONT WEIGHT CARRIER.....	0E.00.18
SIDE BALLASTS n. 2.....	0E.00.19
SIDE BALLASTS n.4.....	0E.00.20
PLATE FOR FRONT CARRIER.....	0E.00.21
P.T.O. GUARD.....	0E.00.22
LUBRICATOR.....	0E.00.23
TOOL POUCH.....	0E.00.24
TOWING HITCH.....	0.010.1702.3.A
DISTRIBUTOR CONTROL.....	0.013.1989.4.A
LINKAGE.....	0.014.1410.3.A
ENGAGEMENT.....	0.98309.50.3/10.A
DISTRIBUTOR.....	2.3729.688.0.A
DISTRIBUTOR.....	2.3729.695.0.A

CLICK HERE TO **DOWNLOAD** THE COMPLETE MANUAL

- Thank you very much for reading the preview of the manual.
- You can download the complete manual from: www.heydownloads.com by clicking the link below



- Please note: If there is no response to CLICKING the link, please download this PDF first and then click on it.

CLICK HERE TO **DOWNLOAD** THE COMPLETE MANUAL

3-POINT LINKAGE WITH AUTOMATIC COUPLERS A = mm 726

Fig.	Code	QTY	Name
7	0.013.2614.4/10	1	left hand arm sx/lh/li
7.3	0.010.1702.3	1	automatic hook 2 cat.- WALTERSCHEID COMPONENT PARTS SEE COMPONENTS LIST ☞ 0.010.1702.3 ☞ 0E.00.47
8	0.013.2613.4/10	1	right hand arm dx/rh/re
8.3	0.010.1702.3	1	automatic hook 2 cat.- WALTERSCHEID COMPONENT PARTS SEE COMPONENTS LIST ☞ 0.010.1702.3 ☞ 0E.00.47
9	0.760.5440.2/30	1	plate
11	0.760.5451.0/10	2	pin
12	0.007.9384.4	2	stop control
12.1	0.007.9388.0	2	fork
12.2	0.007.9387.3	2	tensioner
12.3	0.007.9386.2	2	sleeve
12.4	0.007.9385.2	2	tensioner
13	2.1671.815.2	2	pin 18x55
14	2.1311.011.2	2	flat washer 18
15	2.1690.513.2	2	split pin 5 x 36
16	2.1310.015.2	2	washer 25X44x4
17	2.1120.313.2	2	nut m 24 p.2
21	2.1475.007.7	2	washer 18
23	0.479.5868.0/10	4	pin mm 24
30	2.1475.108.2	4	spring washer 20
72	0.007.9243.2	1	brace dx/rh/re
73	0.007.9244.2	1	brace sx/lh/li
74	2.0112.829.2	4	screw m 20x100
76	0.760.2262.0	2	spring
77	0.760.2258.3	1	cable
78	0.96066.53.4	2	old part
78.1	0.760.5951.3	1	pin 2 cat.
78.2	0.760.5952.0	1	cap Ø 56
87	2.1120.210.2	2	selflock nut m 18 p.1.5
88	2.0129.053.2	2	screw m 12 p.1.25x60

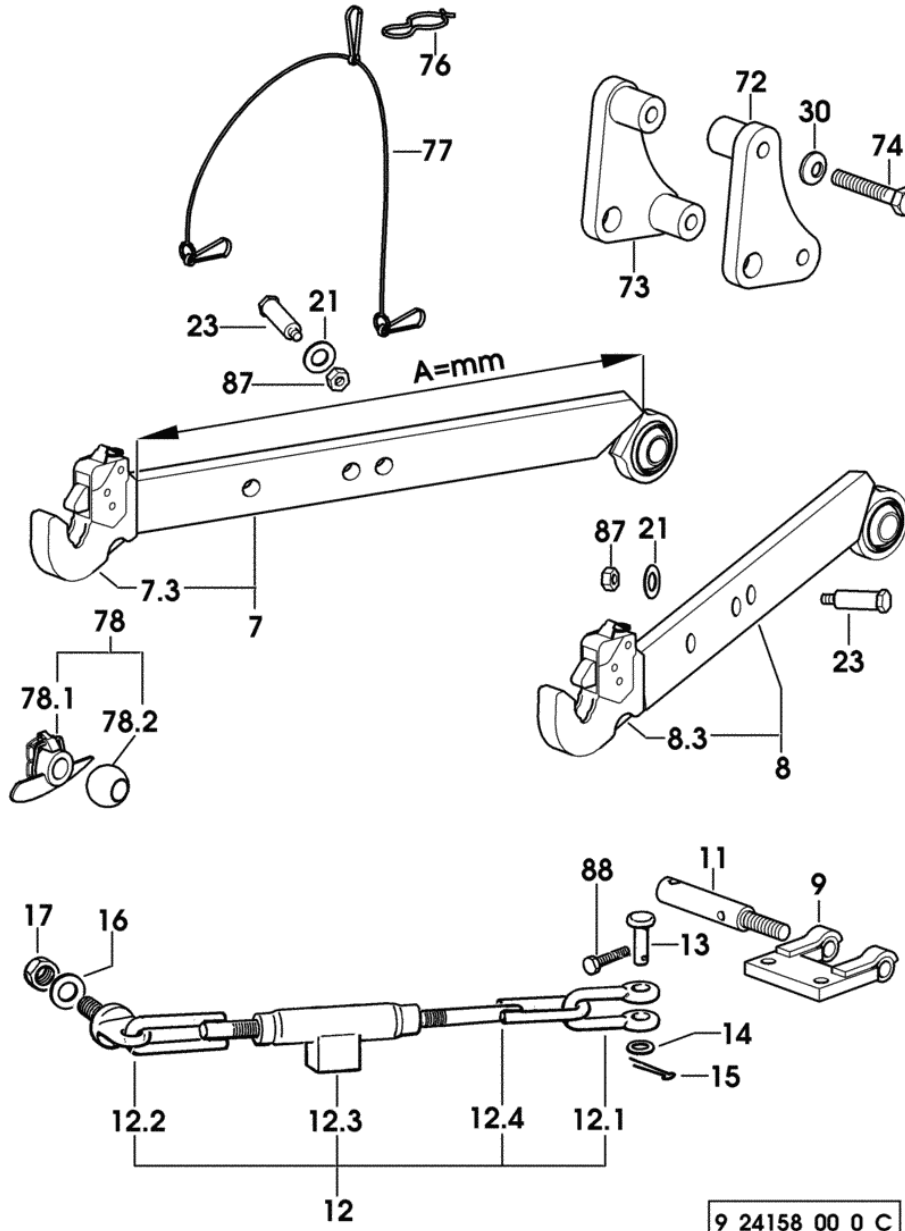
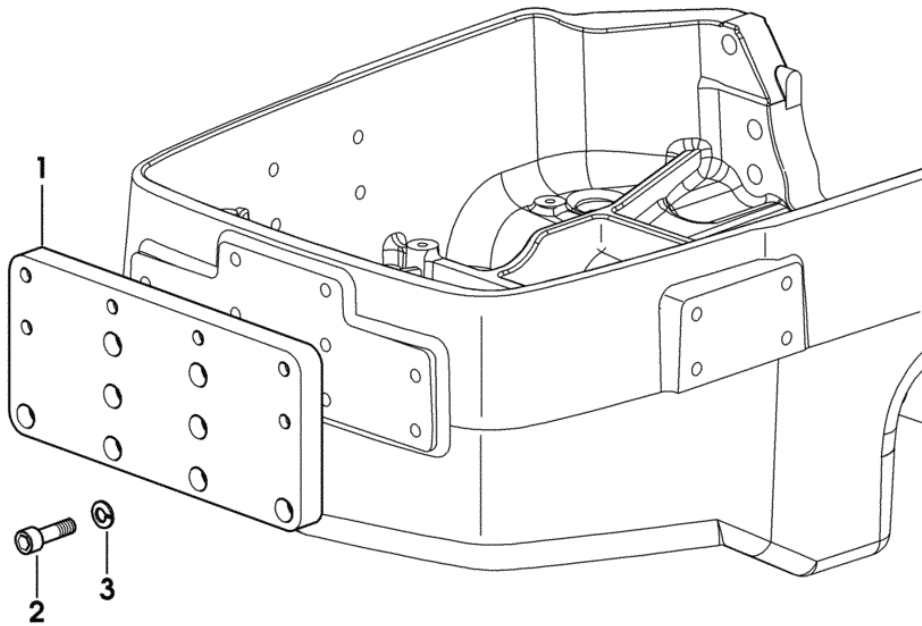


PLATE FOR FRONT CARRIER

Fig.	Code	QTY	Name
1	0.012.2637.0/20	1	plate
2	2.0312.516.2	6	screw m 14 x 50
3	2.1474.012.2	6	washer 14



9_18752_41_0_0

Section: ACCESSORIES
DISTRIBUTOR

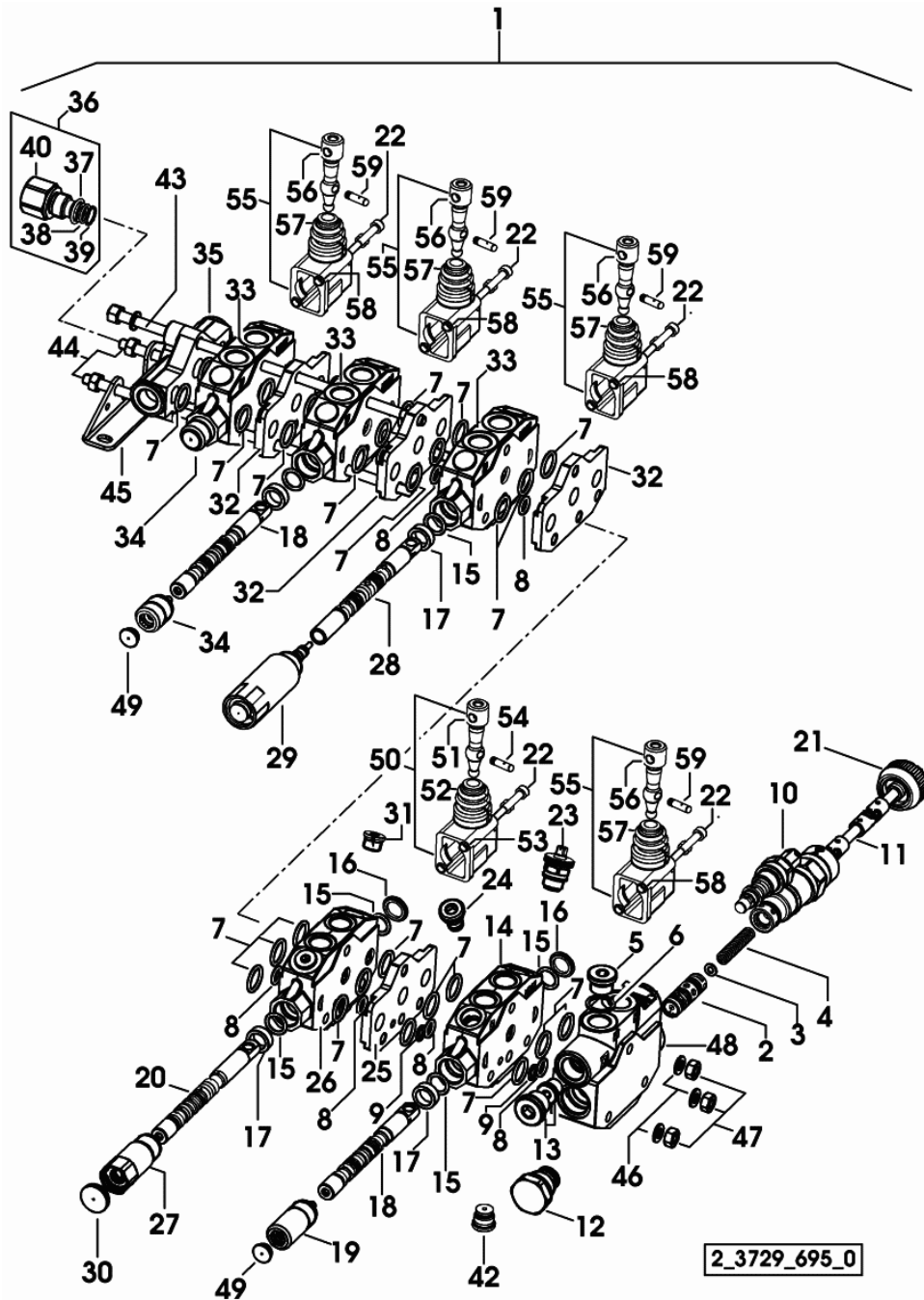
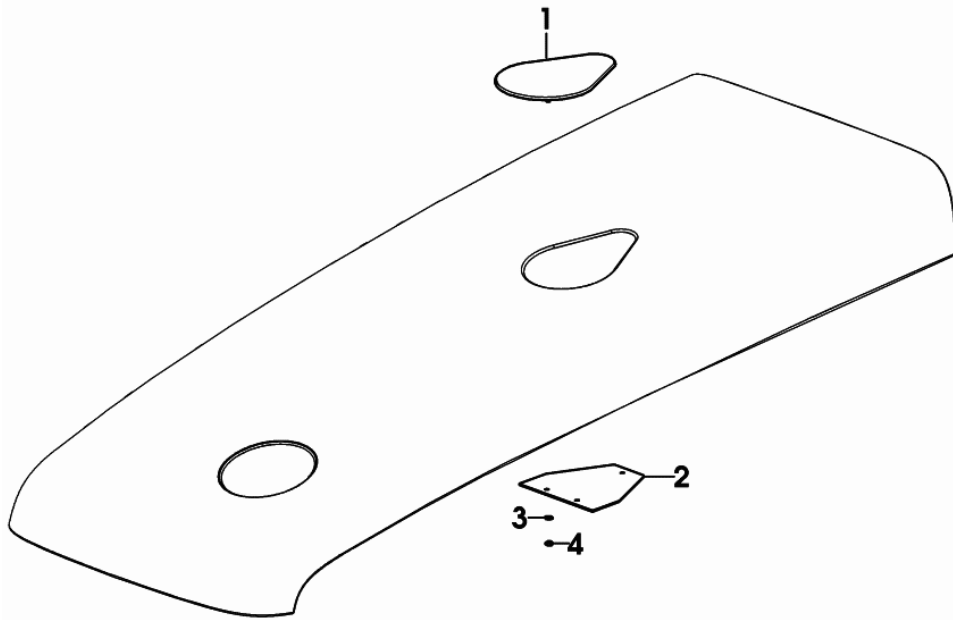


Fig.	Code	QTY	Name
46	0.010.3607.1	4	washer
47	0.010.3606.2	3	selflock nut
48	0.010.3617.1	1	body
49	0.010.3610.0	3	plug
50	0.900.0020.8	1	cover
51	0.900.0026.5	1	lever
52	0.900.0026.3	1	guard
53	0.900.0026.6	2	bushing
54	0.900.0026.4	1	piston pin
55	0.010.3611.0	4	joint
56	0.900.0026.5	4	lever
57	0.900.0026.3	4	guard
58	0.900.0026.6	8	bushing
59	0.900.0026.4	4	piston pin

Section: BODY WORK

HOOD PLUG - FOR TYPES WITH SIDE EXHAUST

Fig.	Code	QTY	Name
1	0.013.4617.3	1	plug
2	0.013.4621.0	1	plate
3	2.1310.028.2	3	flat washer 4
4	2.1011.101.2	3	nut m 4 p.0.7



9_24172_10_0_0

Section: BODY WORK

COOLING - EXPANSION TANK

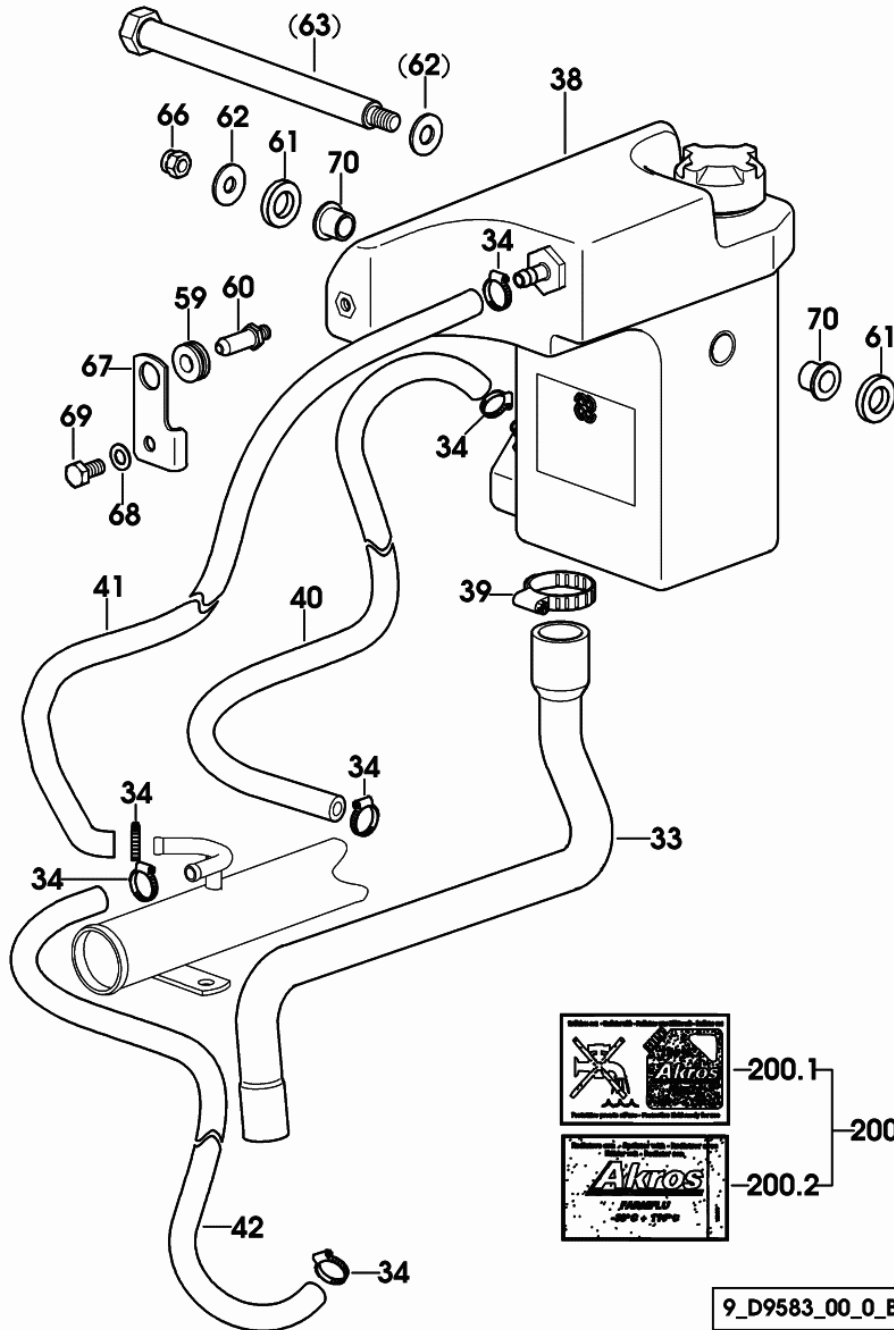


Fig.	Code	QTY	Name
33	0.013.6882.0	1	tube
34	2.6851.018.0	6	clamp 11/17
38	0.013.6322.4/20	1	cup COMPONENT PARTS SEE COMPONENTS LIST ☞ 0.013.6322.4/20 ☞ 07.00.14
39	2.6851.003.0	1	clamp Ø 25/40
40	0.012.6457.0	0	tube
41	0.012.6457.0	0	tube
42	0.012.6457.0	0	tube
59	2.6560.004.0	1	wire guide 10x2.5
60	0.013.8280.0	1	pin
61	0.136.7387.0	2	rubber plug 15x27x5
62	2.1312.004.2	1	washer 8.4
66	2.1120.005.2	1	nut m 8 p.1.25
67	0.013.8314.0	1	bracket
68	2.1470.004.2	1	washer 8
69	2.0112.205.2	1	screw m 8 p.1.25 x 16
70	2.1559.243.0	2	bushing 12x16x15
200	0.000.0000.1	0	not serviceable
200.1	2.9929.785.0/10	1	plate
200.2	2.9929.876.0	1	plate

9_D9583_00_0_B

Section: BODY WORK
FENDERS AND PLATFORM

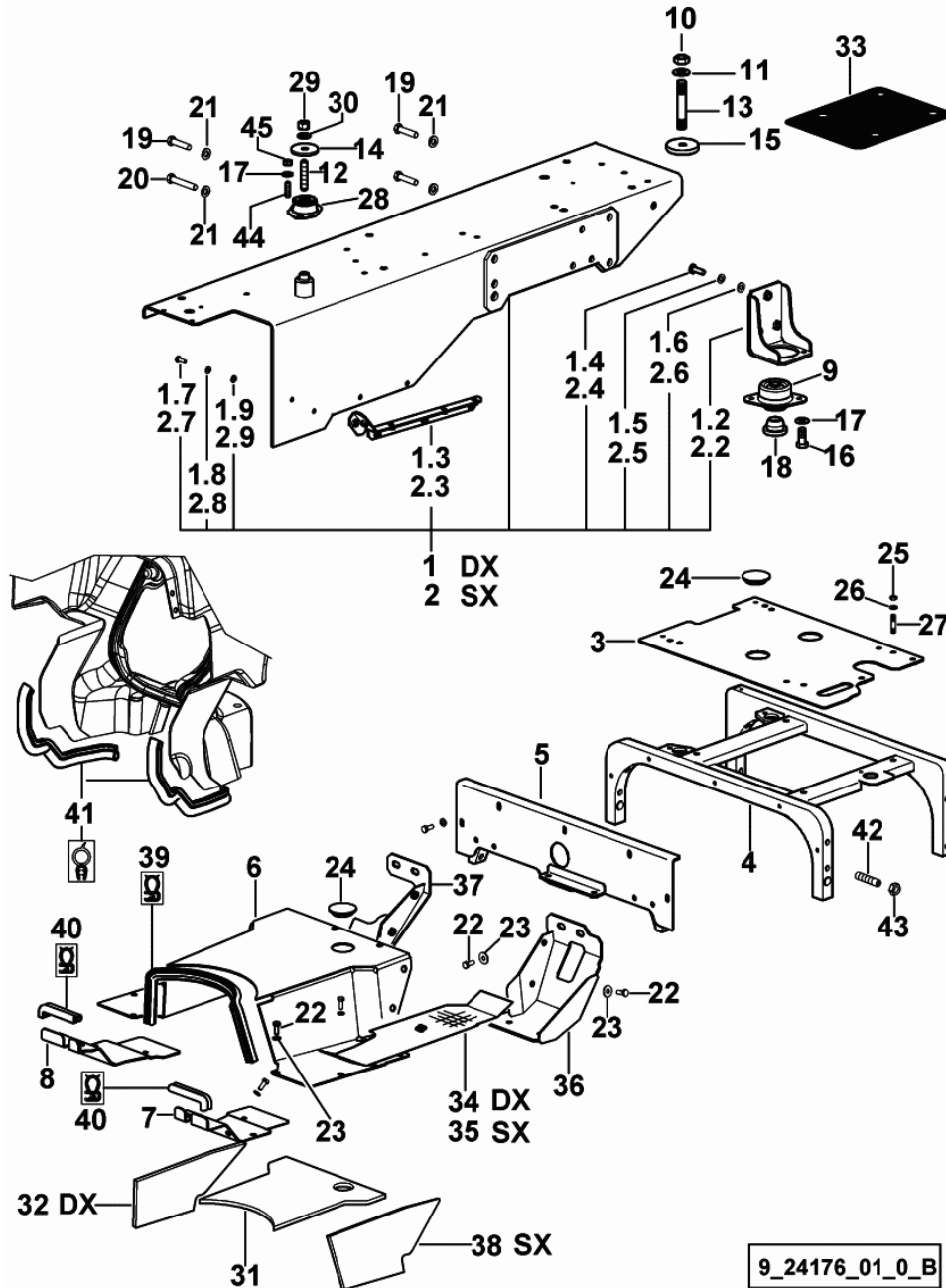


Fig.	Code	QTY	Name
------	------	-----	------

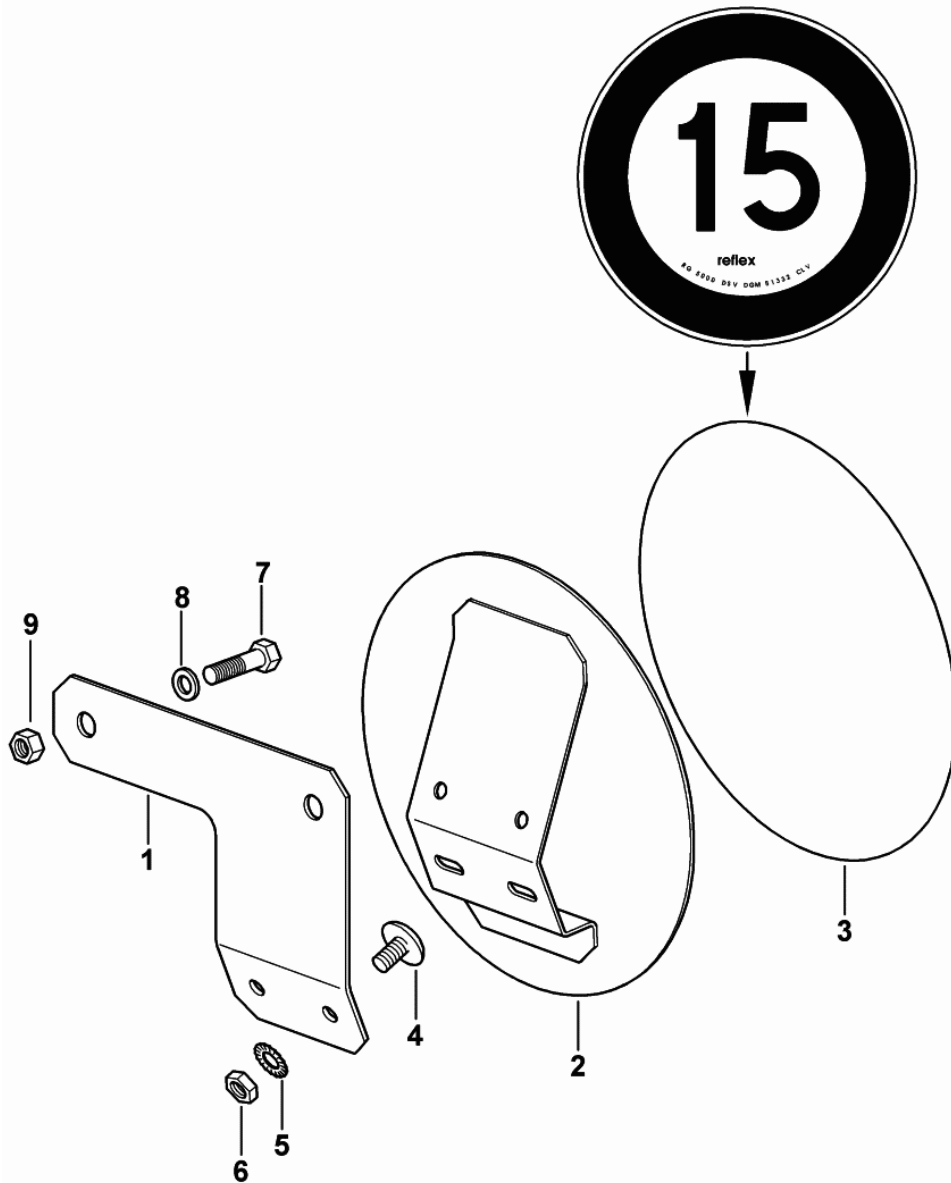
Notes:

2011 <- X KRYPTON F 78 M 2011 <- X KRYPTON F 78 N 2011 <- X KRYPTON F 78 C 2013 <- X KRYPTON F 88 M 2013 <- X KRYPTON F 88 N 2013 <- X KRYPTON F 88 C 2008 <- X KRYPTON F 98 M 2008 <- X KRYPTON F 98 N 2008 <- X KRYPTON F 98 C

1	0.013.1821.4/40	1	fender dx/rh/re
1.2	0.012.5885.3	1	support
1.3	0.013.2637.3/10	1	angular
1.4	2.0112.311.2	3	screw m 10 p.1.5 x 30
1.5	2.1475.003.7	3	washer 10.5
1.6	2.1310.006.2	3	flat washer 10.5
1.7	2.0112.207.2	4	screw m 8 p 1.25 x 20
1.8	2.1475.002.7	4	washer 8.4
1.9	2.1310.004.2	4	flat washer 8.5
2	0.013.1820.4/40	1	fender sx/lh/li
2.2	0.012.5885.3	1	support
2.3	0.013.2636.3/10	1	rubber ring
2.4	2.0112.311.2	3	screw m 10 p.1.5 x 30
2.5	2.1475.003.7	3	washer 10.5
2.6	2.1310.006.2	3	flat washer 10.5
2.7	2.0112.207.2	4	screw m 8 p 1.25 x 20
2.8	2.1475.002.7	4	washer 8.4
2.9	2.1310.004.2	4	flat washer 8.5
3	0.013.3132.3/30	1	plate
4	0.013.2830.3/20	1	chassis frame
5	0.013.4923.3	1	plate
6	0.013.4238.2/20	1	plate
7	0.013.4435.3/30	1	extension sx/lh/li
8	0.013.4436.3/20	1	extension dx/rh/re
9	0.012.4522.0	2	silent-block
10	2.1011.409.2	2	nut m 16 p.1.5
11	2.1310.010.2	2	flat washer 16
12	2.0432.315.7	2	stud bolt m 14 p.2-1.5x50
13	2.0439.257.2	2	stud bolt m 16 p.1.5X85
14	2.1599.576.2	2	shoulder 14.5x60x6
15	0.013.0408.0	2	spacer 17x70x11
16	2.0112.307.2	4	screw m 10 p.1.5 x 20
17	2.1310.006.2	8	flat washer 10.5
18	0.012.5976.0	2	small block
19	2.0113.415.2	6	screw m 12 p.1.75 x 40
20	2.0112.423.2	2	screw m 12 p.1.75 x 70
21	2.1475.204.2	8	washer 12
22	2.0112.207.2	29	screw m 8 p 1.25 x 20
23	2.1312.004.2	29	washer 8.4

Section: BODY WORK
SPEED LABEL - 15 KM/H - REFLEX

Fig.	Code	QTY	Name
1	0.013.5818.0	1	plate
2	0.011.0006.2/10	1	support
3	0.012.6381.0	1	plate
4	2.0099.014.0/20	2	screw m 6 x 25
5	2.1475.201.2	2	washer 6.4x12
6	2.1011.103.2	2	nut m 6 p.1
7	2.0112.211.2	2	screw m 8 p.1.25 x 30
8	2.1475.202.2	2	spring washer 8.4 x 16
9	2.1011.105.2	2	nut m 8 p.1.25

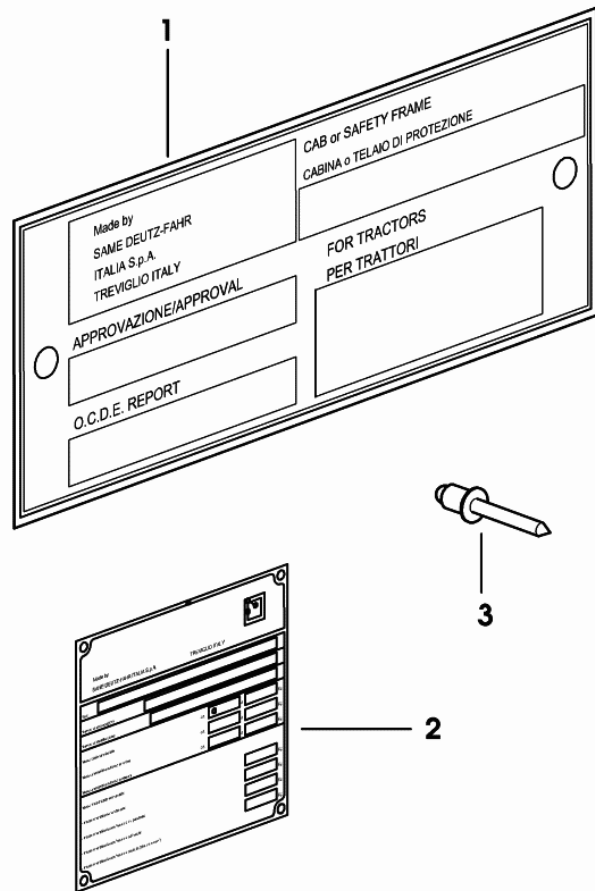


9_24176_04_0_0

Section: BODY WORK

PLATES

Fig.	Code	QTY	Name
1	2.9919.966.0/30	1	plate
2	0.000.0000.1	0	not serviceable
3	2.1856.304.0	4	rivet 4



9_70274_20_0_0

KRYPTON F 88 M -> 2001

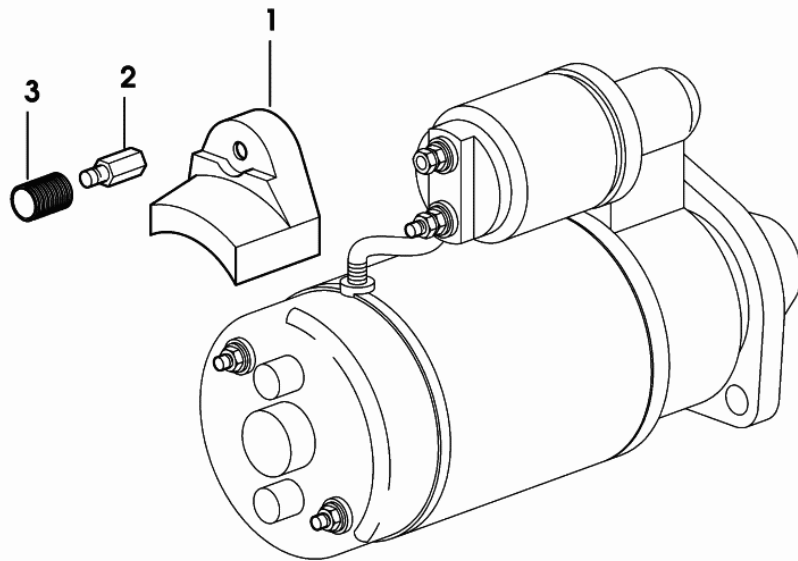
ELECTRIC AL SYSTEM

GENERAL

HEADLAMP FOR RIGHT-HAND DRIVE.....	08.00.1
LIGHT FIXINGS.....	08.00.2
ELECTRIC LIGHTING SYSTEM.....	08.00.3
ELECTRICAL SYSTEM.....	08.00.4
ELECTRICAL SYSTEM.....	08.00.5
ALTERNATOR 65 A.....	08.00.6
ALTERNATOR MOUNTINGS.....	08.00.7
ALTERNATOR PULLEY.....	08.00.8
STARTER.....	08.00.9
COVER PLATE.....	08.00.10
BATTERY 12V 100Ah 550A.....	08.00.11
MECHANIC HEY-HOUR RECORDER TACHOMETER.....	08.00.12
ELECTRONIC RPM CONTROL.....	08.00.13
PREHEATING CONTROL UNIT.....	08.00.14
PREHEATING ELECTRICAL SYSTEM.....	08.00.15
PREHEATING ELECTRICAL SYSTEM.....	08.00.16
ELECTRICAL SYSTEM.....	0.013.7438.4.A
ELECTRICAL SYSTEM.....	0.013.7439.4/10.A
ELECTRICAL SYSTEM.....	0.013.7441.4.A
BATTERY LEADS.....	0.013.7444.4.A
ELECTRICAL SYSTEM.....	0.013.7446.4.A
HEADLAMP COMPONENTS.....	2.8019.800.0.A
HEADLAMP COMPONENTS.....	2.8029.240.0/10.A
HEADLAMP COMPONENTS.....	2.8029.300.0.A
HEADLAMP COMPONENTS.....	2.8029.760.0/30.A
FRONT LIGHTS.....	2.8059.522.0.A
DASHBOARD BOX.....	2.8339.236.0/10.A
ALTERNATOR PARTS.....	2.9439.420.0/10.A
STARTER PARTS.....	2.9619.390.0.A

COVER PLATE

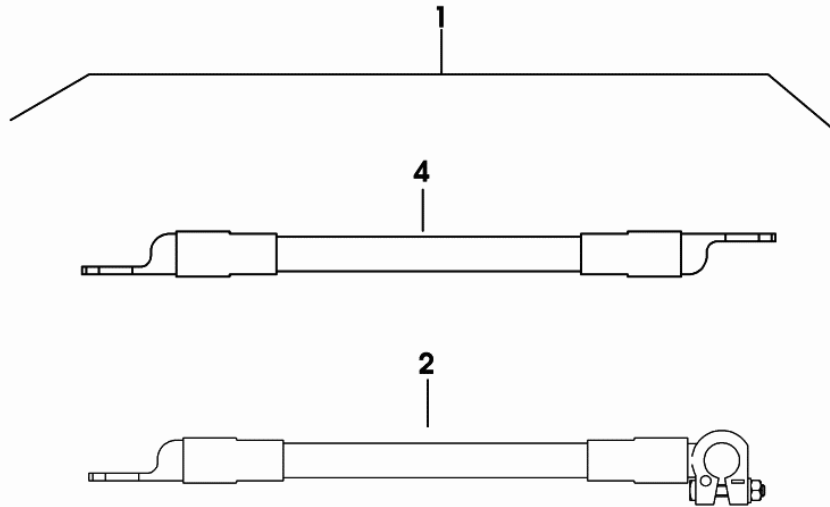
Fig.	Code	QTY	Name
1	0.008.0391.0	1	cover
2	0.008.0616.0	1	pipe fitting
3	0.008.0378.0	1	cover



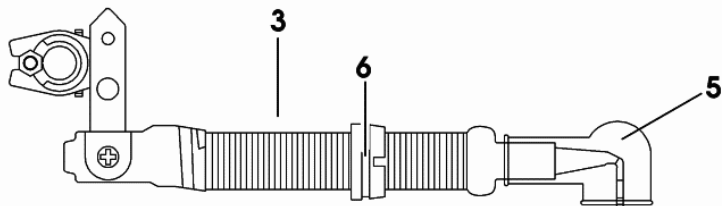
9_58684_05_0_0

BATTERY LEADS

Fig.	Code	QTY	Name
1	0.013.7444.4	1	wire
2	0.900.0055.2	1	wire -
3	0.900.0055.1	1	wire +
4	0.900.0056.4	1	wire
5	2.6519.033.0	1	cap
6	0.013.2185.3	1	bushing



MORSETTO NEGATIVO BATTERIA (NEGATIVE BATTERY)



MORSETTO POSITIVO BATTERIA (POSITIVE BATTERY)

0_013_7444_4

KRYPTON F 88 M -> 2001

ENGINE

GENERAL

CRANKCASE.....	01.00.1
TIMING CASE.....	01.00.2
GUARD PLATE.....	01.00.3
PLUG.....	01.00.4
MONOBLOC ENGINE-GEARBOX CONNECTING FLANGE.....	01.00.6
CRANKSHAFT.....	01.00.8
CYLINDER - PISTON - CONNECTING ROD.....	01.00.10
CRANKSHAFT PULLEY.....	01.00.11
PULSE WHEEL.....	01.00.12
ENGINE FLYWHEEL.....	01.00.13
COUNTERWEIGHTS.....	01.00.14
CAMSHAFT.....	01.00.16
CYLINDER HEAD.....	01.00.18
OIL PAN.....	01.00.19
LUBRICATION.....	01.00.21
LUBRICANT OIL SUCTION PIPE.....	01.00.22
LUBRIC. OIL FILTER.....	01.00.24
OIL DIPSTICK COVER.....	01.00.25
LUBRIC. OIL COOLER.....	01.00.26
OIL PUMP.....	01.00.28
LUBRICATION.....	01.00.30
OIL PIPES FOR TURBOCHARGER.....	01.00.33
FUEL FILTER.....	01.00.34
FUEL FEED PUMP.....	01.00.35
INJECTION PUMP - INJECTOR.....	01.00.37
FUEL PIPES.....	01.00.38
MECHANICAL ENGINE GOVERNOR.....	01.00.39
PLUG FOR MECHANICAL REGULATOR.....	01.00.40
ELECTRONIC MOTOR CONTROLLER.....	01.00.41
PARTS SET - ENGINE MOUNTING.....	01.00.42
COOLING WATER PUMP.....	01.00.43
COOLANT PIPE.....	01.00.44
COOLANT PIPE.....	01.00.46
COOLANT PUMP PULLEY.....	01.00.48
COOLANT PUMP DRIVEBELT mm 1275.....	01.00.50
COOLING SYSTEM MANIFOLD.....	01.00.53
WATER COOLING.....	01.00.54
INTAKE AND EXHAUST.....	01.00.56
INTAKE AND EXHAUST MANIFOLD GASKETS.....	01.00.57
HYDRAULIC PUMP POWER TAKEOFF.....	01.00.58

CLICK HERE TO **DOWNLOAD** THE COMPLETE MANUAL

- Thank you very much for reading the preview of the manual.
- You can download the complete manual from: www.heydownloads.com by clicking the link below

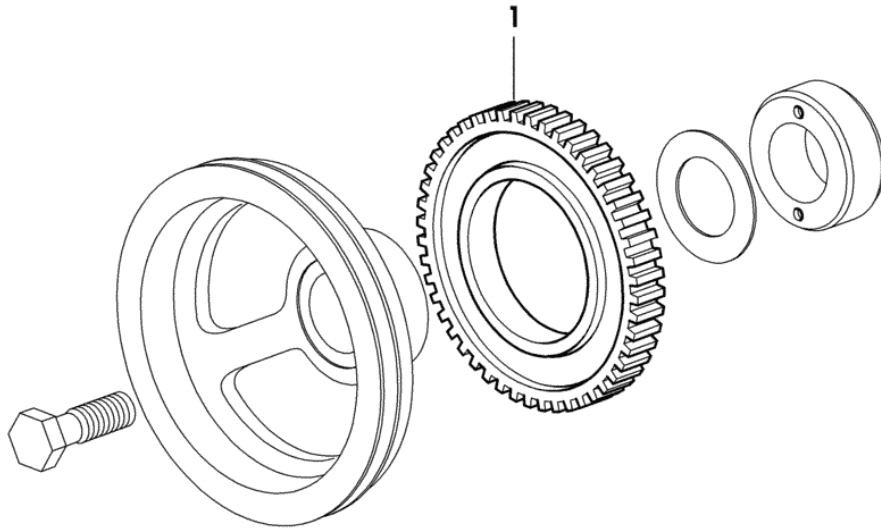


- Please note: If there is no response to CLICKING the link, please download this PDF first and then click on it.

CLICK HERE TO **DOWNLOAD** THE COMPLETE MANUAL

Section: ENGINE
PULSE WHEEL

Fig.	Code	QTY	Name
1	0.011.3531.0	1	gear Z = 48

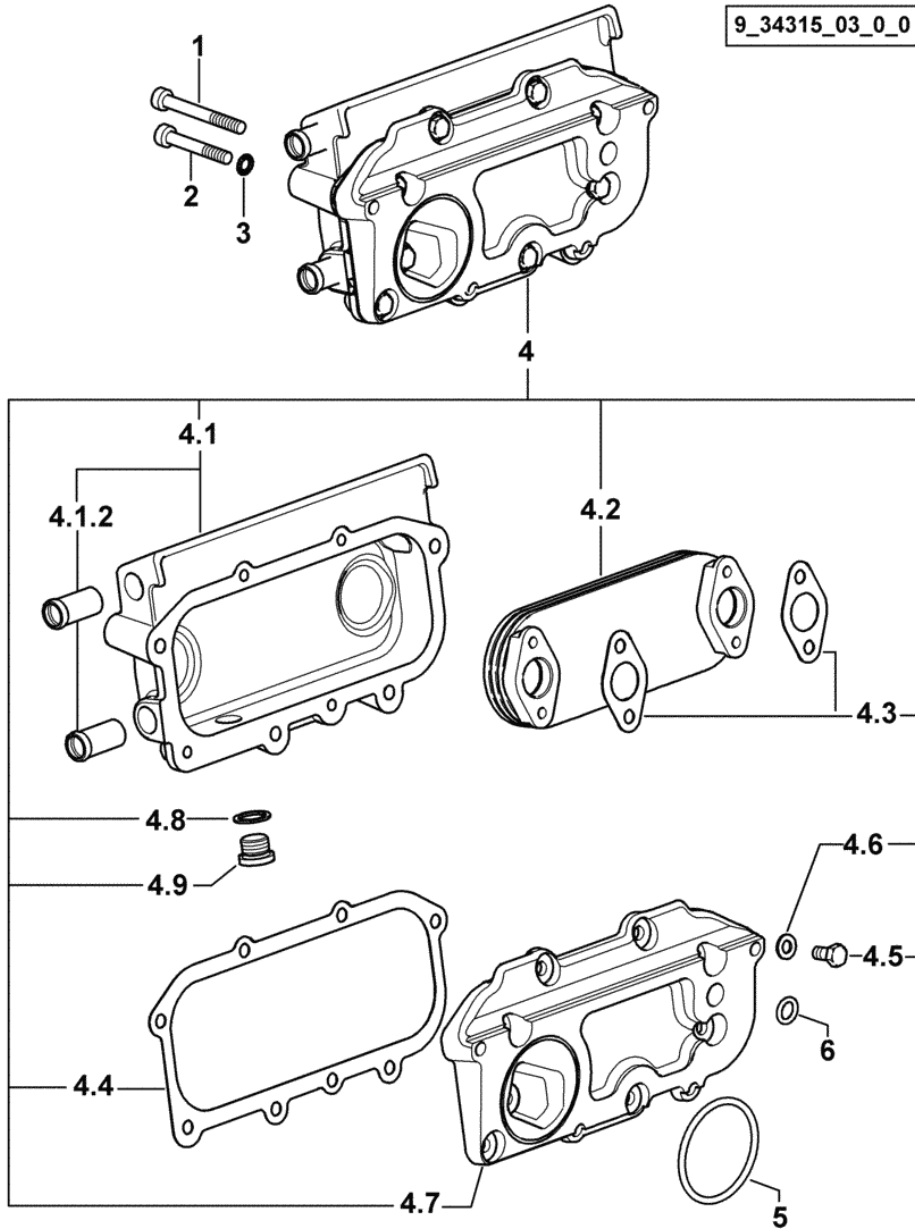


9_36812_05_0_0

Section: ENGINE
LUBRIC. OIL COOLER

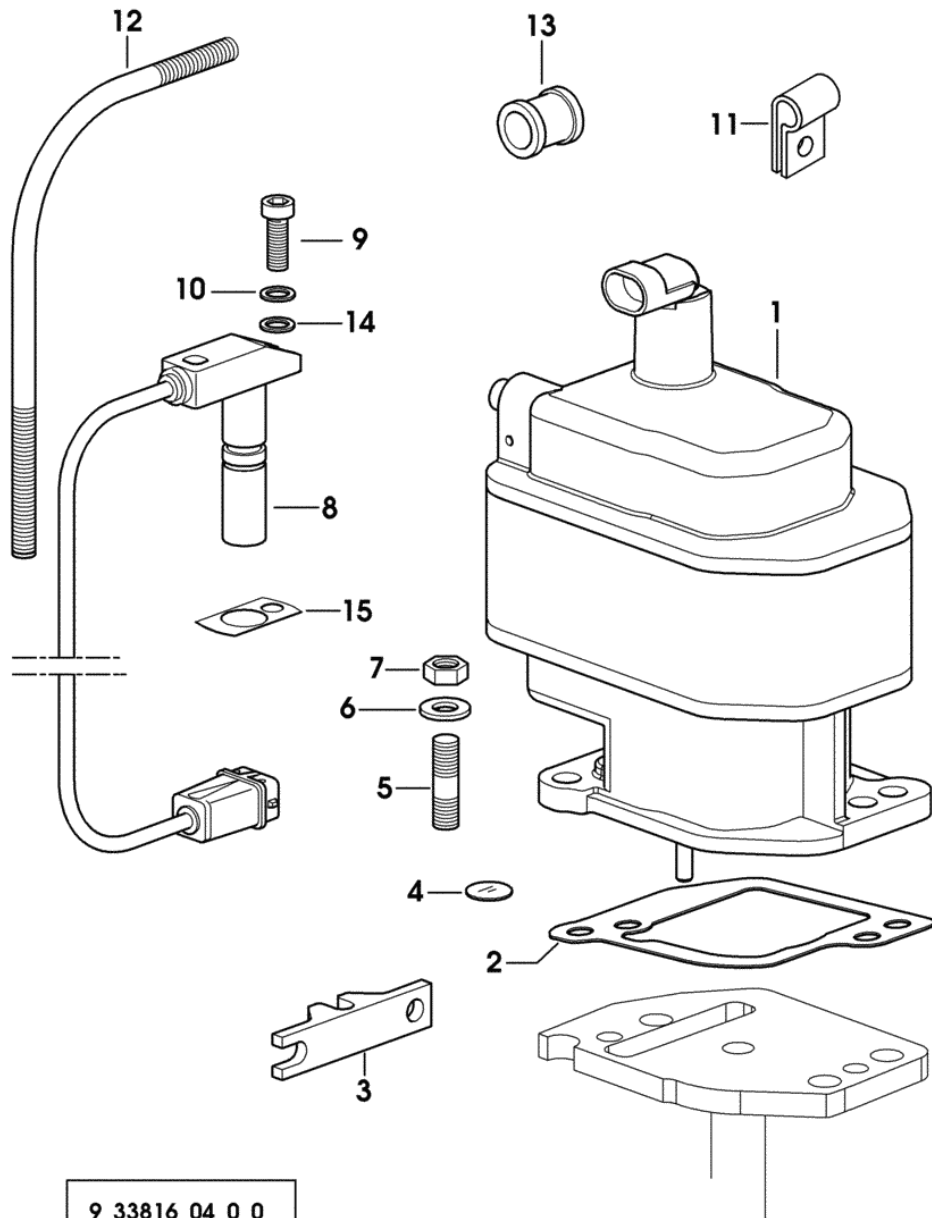
9_34315_03_0_0

Fig.	Code	QTY	Name
1	2.0312.220.2	2	screw m 8 p.1.25x70
2	2.0312.217.2	2	screw m 8 p.1.25x55
3	2.1480.014.1	4	washer 8
4	0.000.0000.1	0	not serviceable
4.1	0.078.1554.3	1	box
4.1.2	0.066.1750.0	1	tube
4.2	0.078.1540.3	1	radiator
4.3	0.078.1557.0/10	2	gasket
4.4	0.078.1556.0/10	1	gasket
4.5	2.0112.205.2	8	screw m 8 p.1.25 x 16
4.6	2.1310.004.2	8	flat washer 8.5
4.7	0.078.1555.0/10	1	plate
4.8	2.1560.014.0	1	gasket 18.2 x 24 x 1.5
4.9	2.3120.101.0	1	plug m 18 p.1.5
5	2.1539.050.0	1	'o' ring 69.57x1.78
6	2.1539.048.0	1	'o' ring 20.35x1.78



ELECTRONIC MOTOR CONTROLLER

Fig.	Code	QTY	Name
1	0.007.0992.4/60	1	actuator 12V
2	0.009.3880.0/20	1	gasket
3	0.007.0870.0	1	small plate
4	2.3170.003.1	1	expansion plug 10
5	2.0432.007.2	2	stud bolt m 8 p.1.25 / p.1 x 30
6	2.1475.002.7	2	washer 8.4
7	2.1011.405.2	2	nut m 8 p.1
8	2.7099.790.0	1	pick-up
9	2.0312.004.2	1	screw m 5 p.0.8 x 10
10	2.1480.011.2	1	washer 5
11	2.6839.044.2	1	clamp
12	0.011.2030.0	1	tube
13	2.6569.001.0	1	rubber ring 12 x 20 x 21
14	2.1310.001.2	1	flat washer 5.3
15	0.011.1207.0	1	shim mm 0.20



9_33816_04_0_0

Section: ENGINE
INTAKE AND EXHAUST

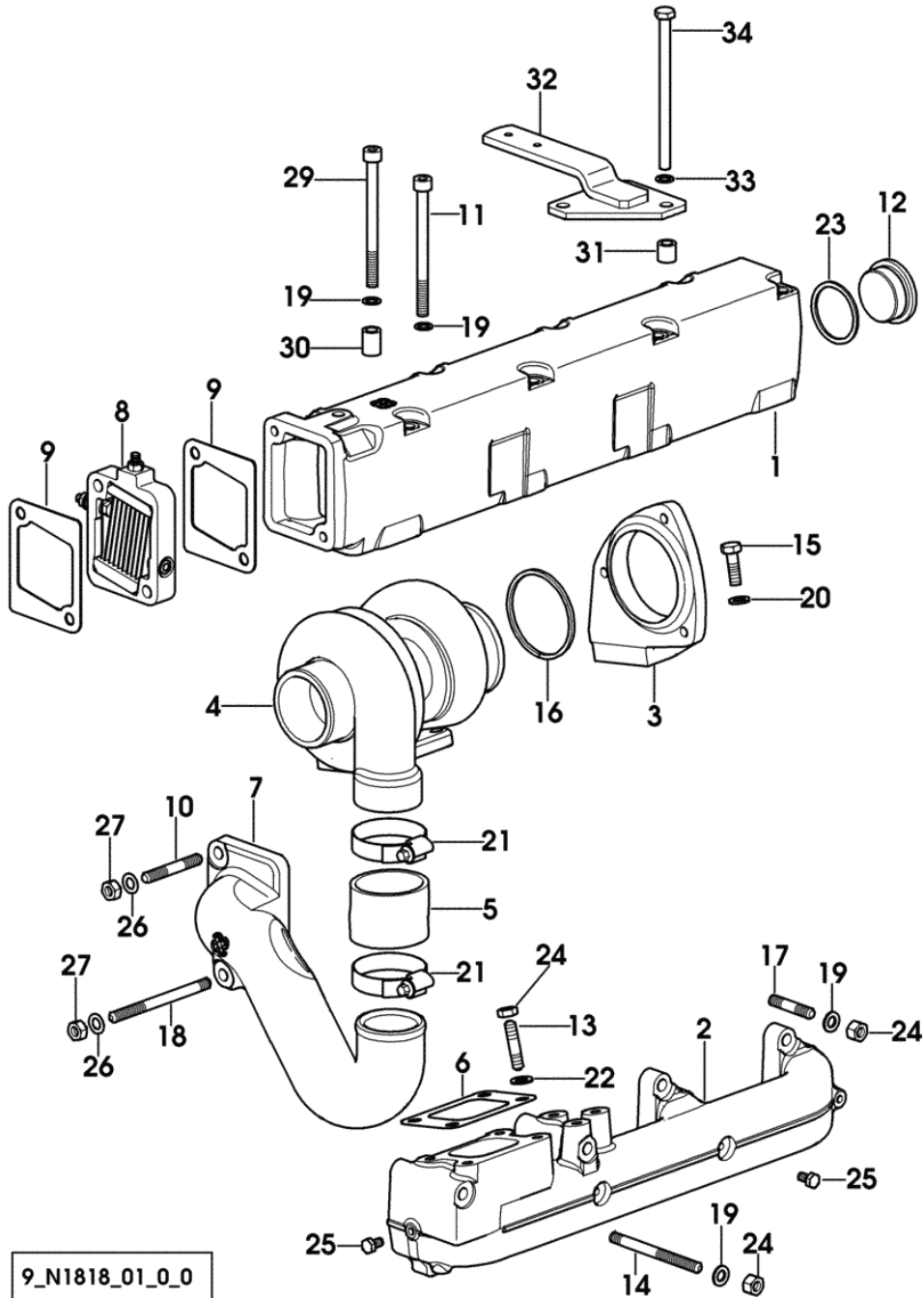
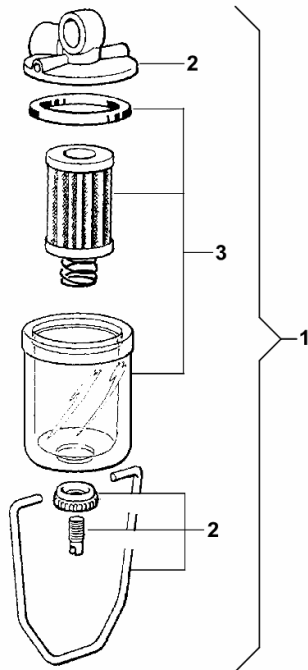


Fig.	Code	QTY	Name
33	2.1310.004.2	2	flat washer 8.5
34	2.0112.233.2	2	screw m 8 p.1.25 x 120

9_N1818_01_0_0

PRE-FILTER - COMPONENTS

Fig.	Code	QTY	Name
1	2.4319.220.0	1	precleaner
2	0.000.0000.1	0	not serviceable
3	2.4319.220.6	1	fuel filter element

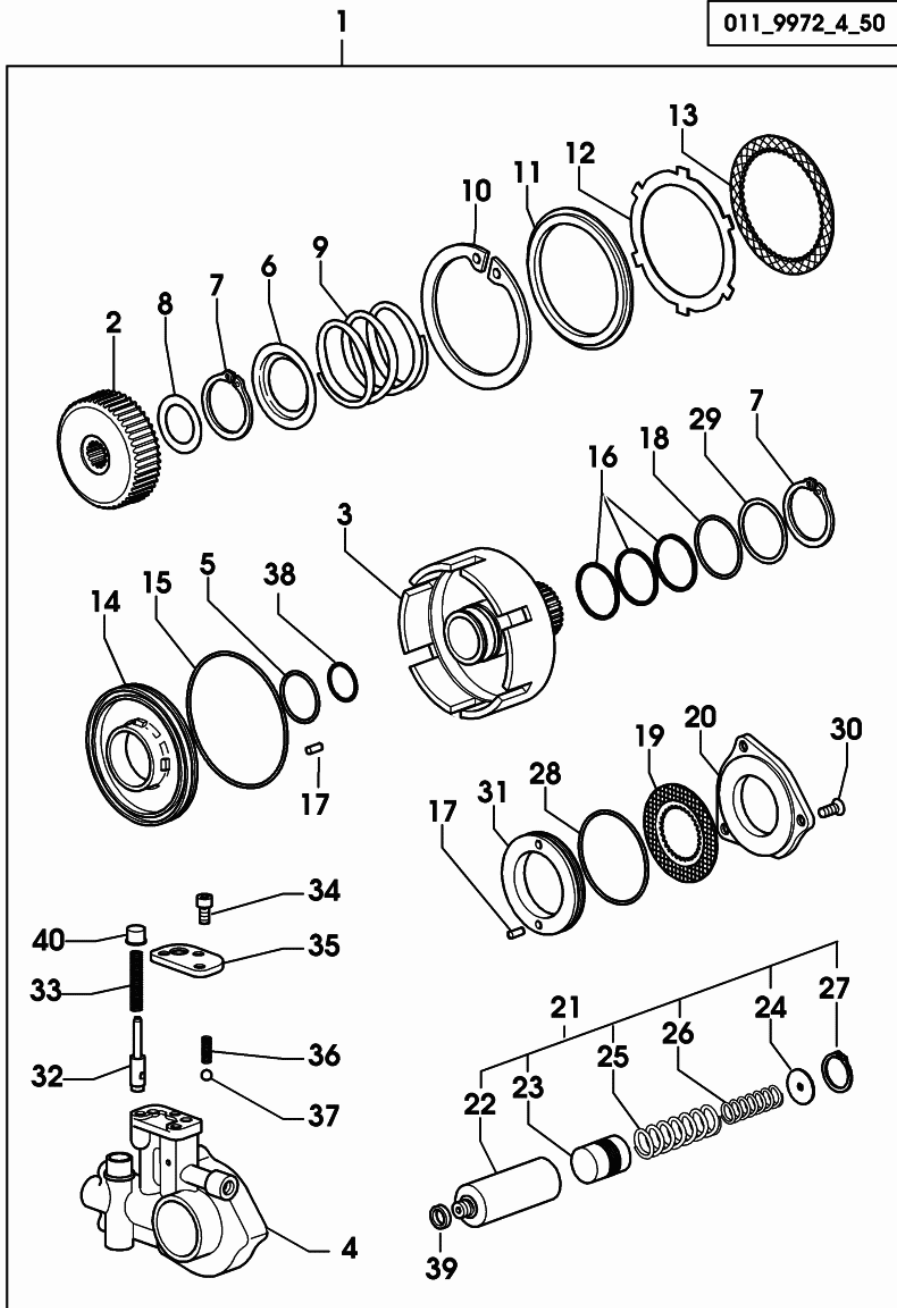


2_4319_220_0

P.T.O. - HYDRAULIC CLUTCH

011_9972_4_50

Fig.	Code	QTY	Name
1	0.011.9972.4/50	1	hydraulic pto clutch
2	0.008.8806.0/20	1	hub
3	0.011.9892.0	1	body
4	0.012.6420.3	1	distributor
5	2.1539.067.0	1	'o' ring 44.12x2.72
6	0.255.3933.0	1	disc
7	2.1419.027.1	2	circlip 48
8	2.1599.415.0	1	snoulder 35x52x1
9	2.4019.373.1	1	spring 79.5x61.5x6.5
10	2.1423.127.7	1	circlip
11	0.011.9895.0	1	disc
12	0.013.9453.0	1	disc
13	0.255.3970.2	5	disc
14	0.255.3938.0/40	1	piston
15	2.1539.064.0	1	'o' ring 120.33x2.62
16	2.1569.109.0	3	gasket 46x50x2
17	2.1651.506.0	2	cylindrical plug 6 x 14
18	2.1532.133.0	1	'o' ring 53.64x2.62
19	0.014.0360.2	1	disc
20	0.292.3926.0/10	1	cover
21	0.010.0526.4/10	1	accumulator P.T.O.
22	0.010.0526.0	1	cylinder
23	0.010.0525.0	1	piston
24	2.1599.241.0	1	snoulder 6.0 x 31 x 2.0
25	2.4019.636.1	1	spring 20.8 x 27.2 x 3.2 x 86.5
26	2.4019.638.1	1	spring 14.2 x 19.4 x 2.6 x 58
27	2.1411.013.7	1	circlip Ø 32
28	2.1532.503.0	1	'o' ring 82.14x2.62
29	2.1599.416.0	1	snoulder 50x58x1
30	2.0342.305.2	3	screw m 8 p.1.25 x 20
31	0.255.3922.0/30	1	piston D 90
32	0.013.2869.0	1	valve
33	2.4019.772.2	1	spring 7x11x57
34	2.0312.204.2	3	screw m 8 p.1.25 x 16
35	0.013.2852.0	1	small plate
36	2.4019.102.1	1	spring
37	2.2810.005.0	1	ball mm 8.731
38	2.1530.062.0	1	'o' ring 23.81 x 2.62
39	2.1560.010.0	1	gasket 14.2 x 20 x 1.5
40	0.013.2856.0	1	bushing



Section: GEAR
CLUTCH 12"

9_40523_00_0_0

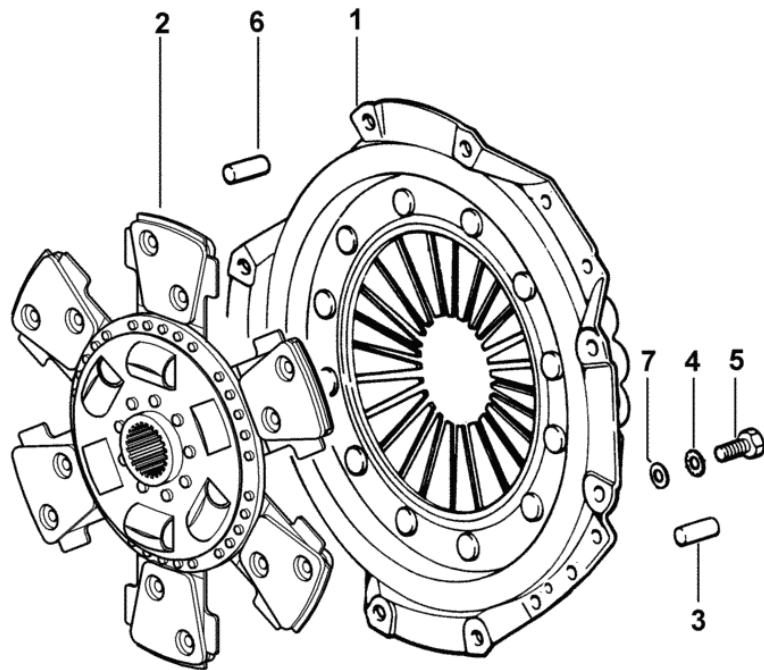


Fig.	Code	QTY	Name
1	0.008.4254.3/10	1	clutch assy 12"
2	0.014.1111.3	1	clutch disc 12"
3	2.1699.173.0	1	pin 7.9x18
4	2.1470.004.2	8	washer 8
5	2.0112.207.2	8	screw m 8 p 1.25 x 20
6	2.1699.201.0	1	pin 6.36x18
7	2.1310.004.2	8	flat washer 8.5

SUPER REDUCTION GEAR UNIT

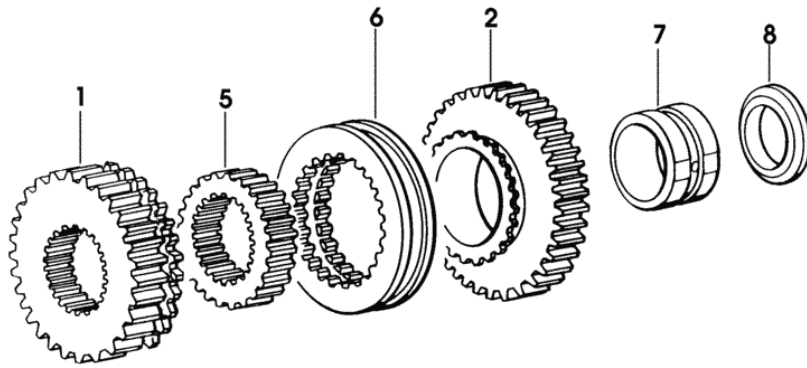
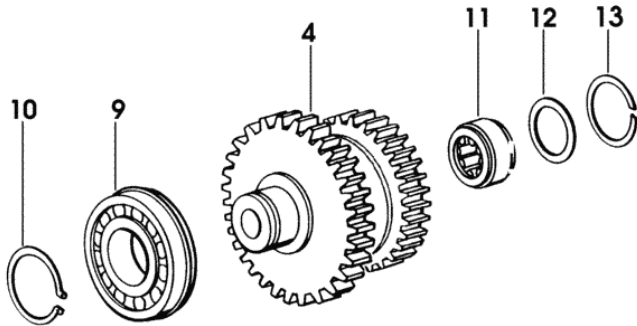


Fig.	Code	QTY	Name
1	0.007.9308.0	1	gear Z = 21
2	0.007.9317.0	1	gear Z = 36
4	0.007.9335.0	1	gear z = 44 - 29
5	0.007.9319.0	1	sleeve z = 25
6	0.292.3251.0	1	sleeve
7	0.007.9318.0	1	bushing
8	2.1549.057.0	1	spacer 40x61x7
9	2.2062.011.0	1	ball bearing 35 x 80 x 21
10	2.1410.014.1	1	circlip 35
11	2.2999.280.0	1	roller cage
12	2.1589.268.0/10	1	snoulder 30.5x51.8x1.5
13	2.1423.030.7	1	circlip 40



9_48337_01_0_0

SYNCHROMESH SPLITTER COVER

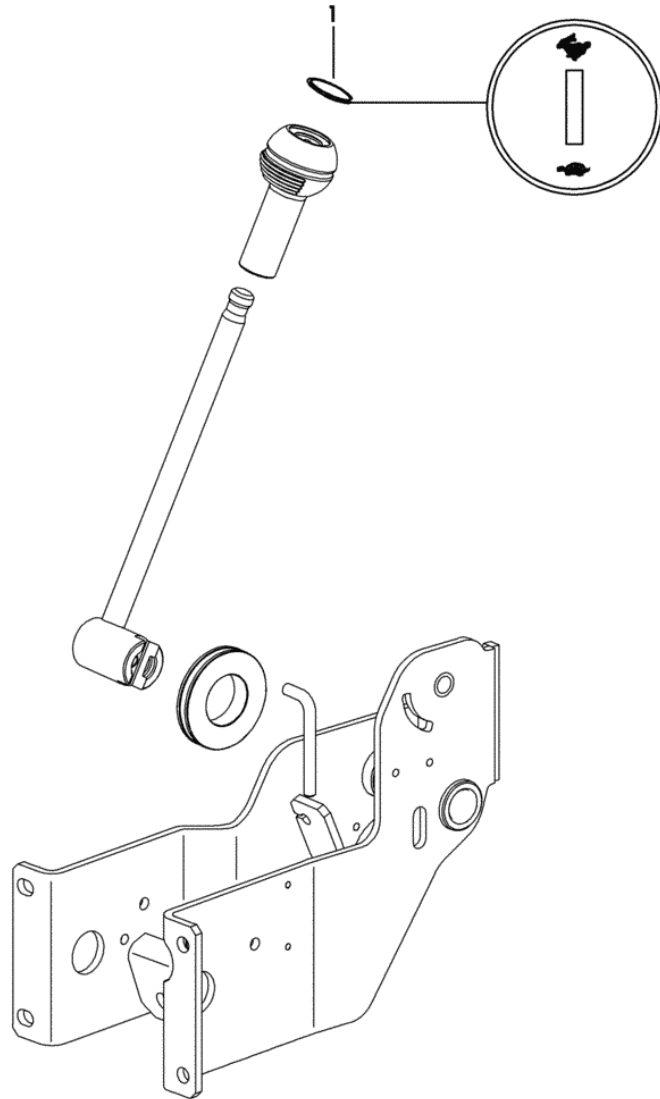


Fig.	Code	QTY	Name
1	0.007.9333.0/10	1	cap

9_24164_02_0_0

REAR REDUCTION GEARS AND AXLE SHAFTS - WITH 1350 mm TRACK

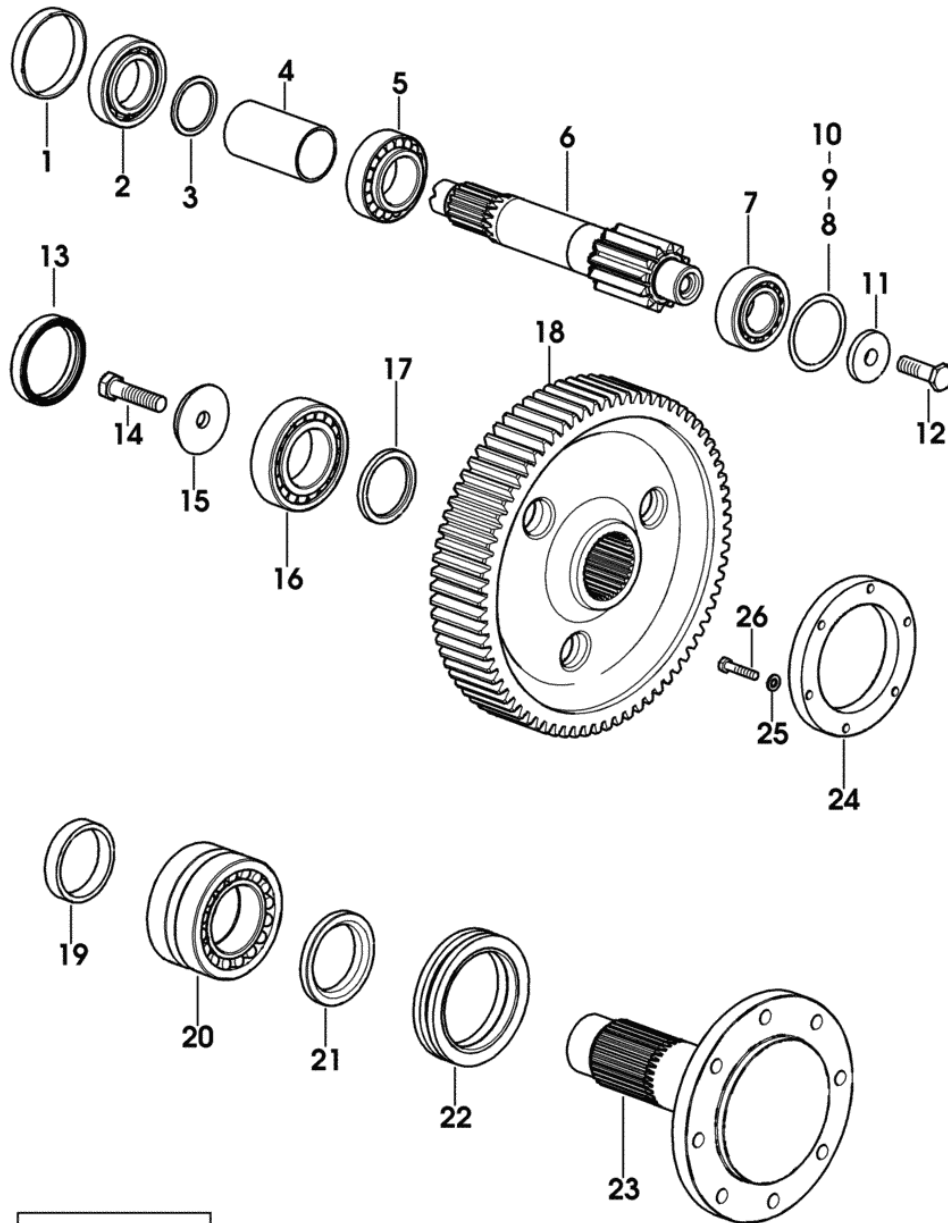


Fig.	Code	QTY	Name
------	------	-----	------

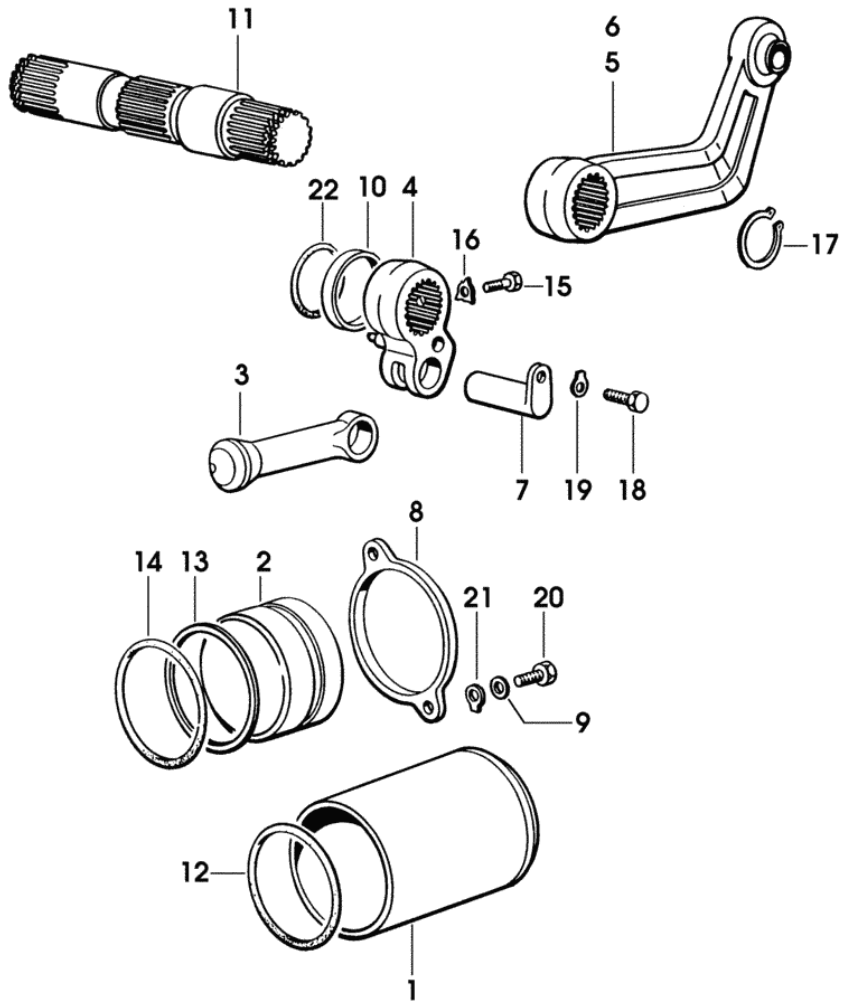
Notes:

-> 2015 X KRYPTON F 78M -> 2019 X KRYPTON F 88M -> 2016 X KRYPTON F 98M

1	0.012.9088.0	2	ring 84x90x13.5
2	2.2040.214.0	2	bearing 50 x 90 x 20
3	0.012.6764.0	2	thrust plate
4	2.1549.529.0/10	2	spacer
5	2.2570.006.0	2	bearing 50x90x32
6	0.013.7784.0	2	pinion Z = 12
7	2.2570.004.0	2	bearing 40x80x32
8	2.1580.206.0	6	shim 66x79x0.2
9	2.1580.211.0	6	shim 66x79x0.15
10	2.1580.236.0	6	shim 66x79x0.10
11	0.012.1895.0/20	2	snoulder
12	2.0129.061.2	2	screw m 16 p.1.5x50
13	2.1529.137.0	2	'o' ring
14	2.0123.622.2	2	screw m 16 p.1.5 x 65
15	0.011.8866.0/20	2	snoulder
16	2.2423.010.0	2	bearing
17	2.1549.520.0	2	spacer
18	0.013.1046.0	2	crown wheel z = 73
19	2.1549.519.0	2	spacer
20	2.2999.437.0	2	bearing
21	0.012.1896.0	2	snoulder
22	0.216.4754.3	2	'o' ring
23	0.011.7590.0/40	2	half-shaft
24	0.012.1871.0/10	2	flange
25	2.1475.202.2	12	spring washer 8.4 x 16
26	2.0112.215.2	12	screw m 8 p.1.25 x 40

LIFTING

Fig.	Code	QTY	Name
1	0.9124.310.0	1	cylinder
2	0.9124.311.0	1	piston
3	0.9124.313.0	1	top link
4	0.9124.320.3	1	connecting rod
5	0.9124.324.3	1	lift lever dx/rh/re
6	0.9124.325.3	1	lift lever sx/lh/li
7	0.9124.350.0	1	pin
8	0.9124.351.0	1	ring
9	0.9124.352.0	2	spacer
10	0.9037.351.0	2	spacer
11	0.9043.321.0	1	shaft
12	2.1530.215.0	1	'o' ring 113x3.53
13	2.1519.564.0	1	'o' ring
14	2.1530.204.0	1	'o' ring 101x5.34
15	2.0399.529.1	1	screw
16	2.1331.006.0	1	washer 10.5
17	2.1410.024.1	2	circlip Ø 60 mm
18	2.0122.357.2	1	screw m 10 p.1.25 x 20
19	2.1330.006.0	1	lock-tab 10.5
20	2.0129.517.1	2	screw m 12 x 45
21	2.1330.007.0	2	lock-tab 13
22	2.1530.146.0	1	'o' ring



9_48359_21_0_0

9_24161_00_0_B

STEERING CONTROL

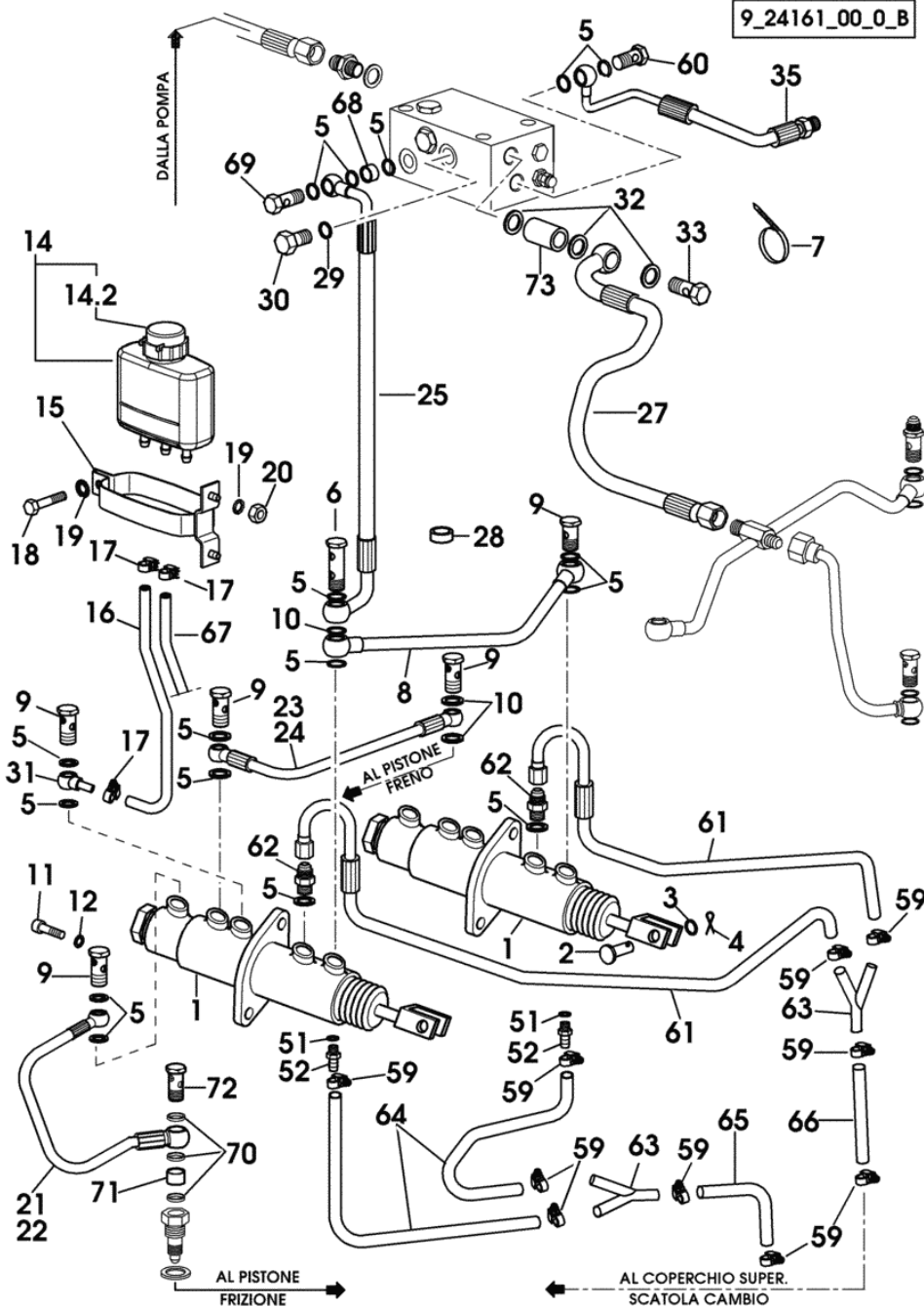


Fig.	Code	QTY	Name
------	------	-----	------

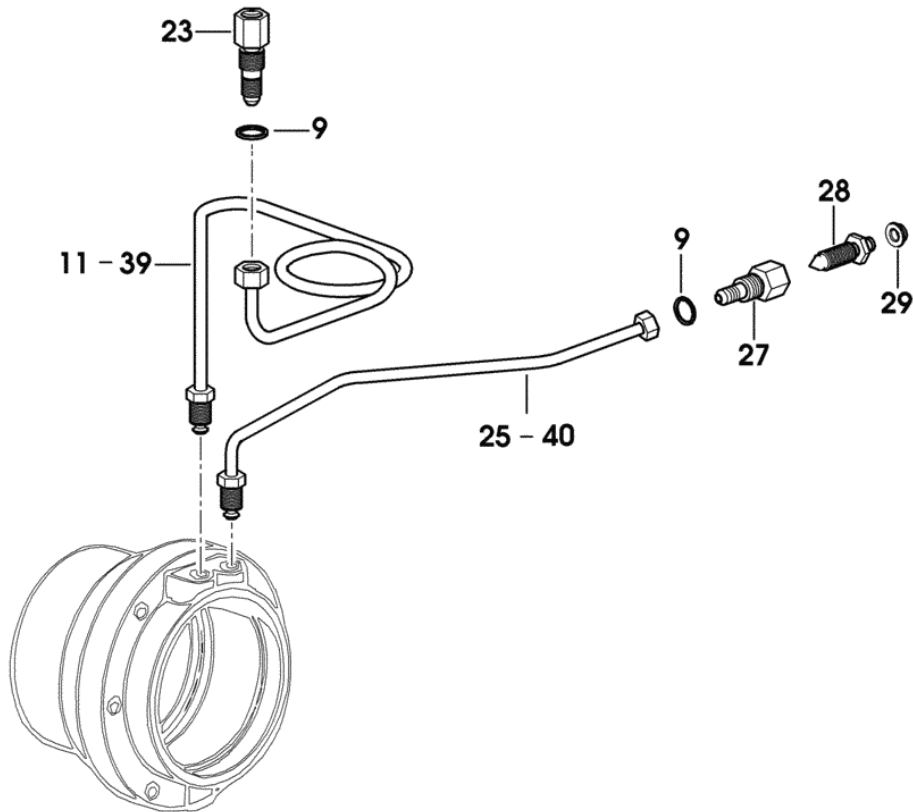
Notes:

2009 <- X KRYPTON F 78 M 2009 <- X KRYPTON F 78 N 2009 <- X KRYPTON F 78 C 2007 <- X KRYPTON F 88 M 2007 <- X KRYPTON F 88 N 2007 <- X KRYPTON F 88 C 2007 <- X KRYPTON F 98 M 2007 <- X KRYPTON F 98 N 2007 <- X KRYPTON F 98 C

1	0.012.3580.4/40	2	pump COMPONENT PARTS SEE COMPONENTS LIST ☞ 0.012.3580.4/40 ☞ 06.00.10
2	2.1671.305.2	2	pin 8x22
3	2.1310.004.2	2	flat washer 8.5
4	2.1690.206.2	2	split pin 2x16
5	2.1560.008.0	17	gasket 12.2 x 18
6	2.3339.471.2/10	1	pipe union m 12 p.1,25x40
7	2.6852.203.0	5	clamp 292 x 4.8
8	0.007.8653.3	1	tube
9	2.3332.003.2	7	pipe union m 12 p.1.25 x 23
10	2.1569.118.0	6	gasket 12.5x18x2.5
11	2.0312.208.2	4	screw m 8 p.1.25 x 25
12	2.1470.004.2	4	washer 8
14	0.009.1780.4/10	1	tank
14.2	0.257.6654.3/10	1	plug
15	0.257.6662.2	1	clamp
16	0.012.6343.0	0	tube
17	2.6851.019.0	4	clamp Ø 13/20
18	2.0112.005.2	1	screw m 6 p.1 x 16
19	2.1470.002.2	2	washer 6, d128
20	2.1011.103.2	2	nut m 6 p.1
21	0.013.2490.3/10	1	tube sx/lh/li
22	0.013.2491.3/10	1	tube dx/rh/re
23	0.013.2484.3/10	1	tube dx/rh/re
24	0.013.2486.3/10	1	tube sx/lh/li
25	0.013.2461.3/10	1	tube
27	0.013.2443.3/10	1	tube
28	2.1549.512.2	1	spacer 14.2 x 24.8 x 10
29	2.1560.010.0	3	gasket 14.2 x 20 x 1.5
30	2.3110.403.1	1	plug m 14 p.1.5
31	2.3339.508.2	2	pipe fitting
32	2.1560.014.0	3	gasket 18.2 x 24 x 1.5
33	2.3339.485.2/10	1	pipe union m 18 p.1.5x55
35	0.013.2446.3/20	1	tube
51	2.1560.005.0	2	gasket 10.2 x 14
52	2.3249.055.2	2	plug m 10

LATERAL CLUTCH CONTROL

Fig.	Code	QTY	Name
9	2.1560.008.0	4	gasket 12.2 x 18
11	0.012.8452.3/10	1	tube dx/rh/re
23	2.3339.386.0/10	2	pipe fitting
25	0.012.8454.3	1	tube dx/rh/re
27	2.3339.386.0/10	2	pipe fitting
28	0.170.5455.0	2	valve
29	2.3199.039.0	2	plug 6.50 x 7.25
39	0.012.8451.3/10	1	tube sx/lh/li
40	0.012.8453.3	1	tube sx/lh/li



9_18761_05_0_0

UNDERCARRIAGE STEEL COVER PANEL sx/lh/li

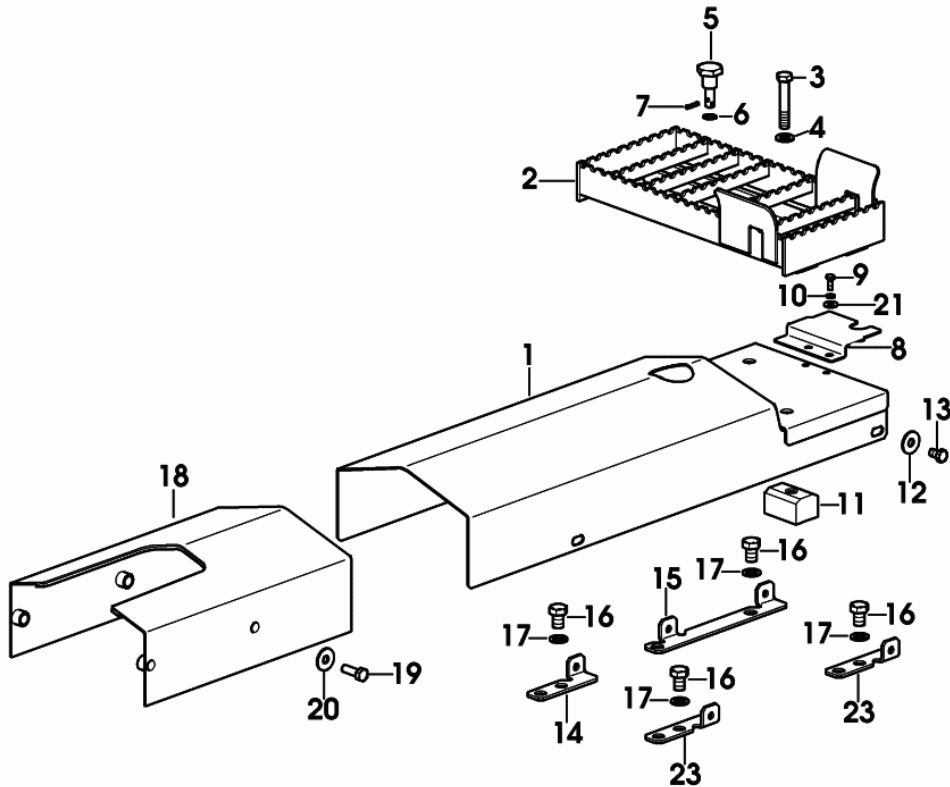


Fig.	Code	QTY	Name
1	0.013.4167.3/10	1	shield
2	0.013.4159.2	1	climbing steps
3	2.0114.421.2	1	screw
4	2.1310.007.2	1	flat washer 13.5
5	2.1699.568.2	1	pin
6	2.1589.160.0	1	snoulder 12.5x18x0.5
7	2.1630.450.2	1	pin 4x22
8	0.013.4165.0	1	bracket
9	2.0114.005.2	2	screw m 6 p.1.0 x 16
10	2.1470.002.2	2	washer 6, d128
11	0.013.4161.0	1	small block
12	2.1312.005.2	9	washer 10.2
13	2.0112.305.2	9	screw m 10 p.1.5 x 16
14	0.012.2674.0	3	bracket
15	0.013.4217.0	1	bracket
16	2.0112.507.2	16	screw m 14 p.2x20
17	2.1470.008.2	16	lock washer 14
18	0.012.2720.2	2	shield
19	2.0112.311.2	8	screw m 10 p.1.5 x 30
20	2.1312.005.2	8	washer 10.2
21	2.1312.003.3	2	washer 6.6 x 18
23	0.012.2672.0	4	bracket

9_24191_04_0_A

CLICK HERE TO **DOWNLOAD** THE COMPLETE MANUAL

- Thank you very much for reading the preview of the manual.
- You can download the complete manual from: www.heydownloads.com by clicking the link below



- Please note: If there is no response to CLICKING the link, please download this PDF first and then click on it.

CLICK HERE TO **DOWNLOAD** THE COMPLETE MANUAL