

# KRYPTON F 80 N

## ACCESSORIES

### GENERAL

6-WAY AUXILIARY DISTRIBUTOR.....	0E.00.1
6-WAY AUXILIARY DISTRIBUTOR.....	0E.00.2
10-WAY AUXILIARY DISTRIBUTOR.....	0E.00.3
10-WAY AUXILIARY DISTRIBUTOR.....	0E.00.4
REINFORCED 3-POINT LINKAGE.....	0E.00.5
REINFORCED 3-POINT LINKAGE.....	0E.00.6
3-POINT LINKAGE WITH AUTOMATIC COUPLERS A = mm 580.....	0E.00.9
3-POINT LINKAGE WITH AUTOMATIC COUPLERS A = mm 580.....	0E.00.10
FRONT TOWING HITCH.....	0E.00.11
TOWING BAR mm 1431.....	0E.00.12
TOWING BAR mm 1603.5.....	0E.00.13
CURVED CROSS MEMBER FOR DRAWBAR.....	0E.00.15
FRONT BALLAST n. 4.....	0E.00.16
FRONT WEIGHT CARRIER.....	0E.00.18
SIDE BALLASTS n.4.....	0E.00.19
PLATE FOR FRONT CARRIER.....	0E.00.20
P.T.O. GUARD.....	0E.00.21
LUBRICATOR.....	0E.00.22
TOOL POUCH.....	0E.00.23
TOWING HITCH.....	0.010.1702.3.A
DISTRIBUTOR CONTROL.....	0.013.1989.4.A
ADJUSTABLE LIFT ROD PARTS.....	0.013.2770.3.A
ENGAGEMENT.....	0.98309.50.3/10.A
DISTRIBUTOR.....	2.3729.688.0.A
DISTRIBUTOR.....	2.3729.695.0.A

CLICK HERE TO **DOWNLOAD** THE COMPLETE MANUAL

- Thank you very much for reading the preview of the manual.
- You can download the complete manual from: [www.heydownloads.com](http://www.heydownloads.com) by clicking the link below



- Please note: If there is no response to CLICKING the link, please download this PDF first and then click on it.

CLICK HERE TO **DOWNLOAD** THE COMPLETE MANUAL

**3-POINT LINKAGE WITH AUTOMATIC COUPLERS A = mm 580**

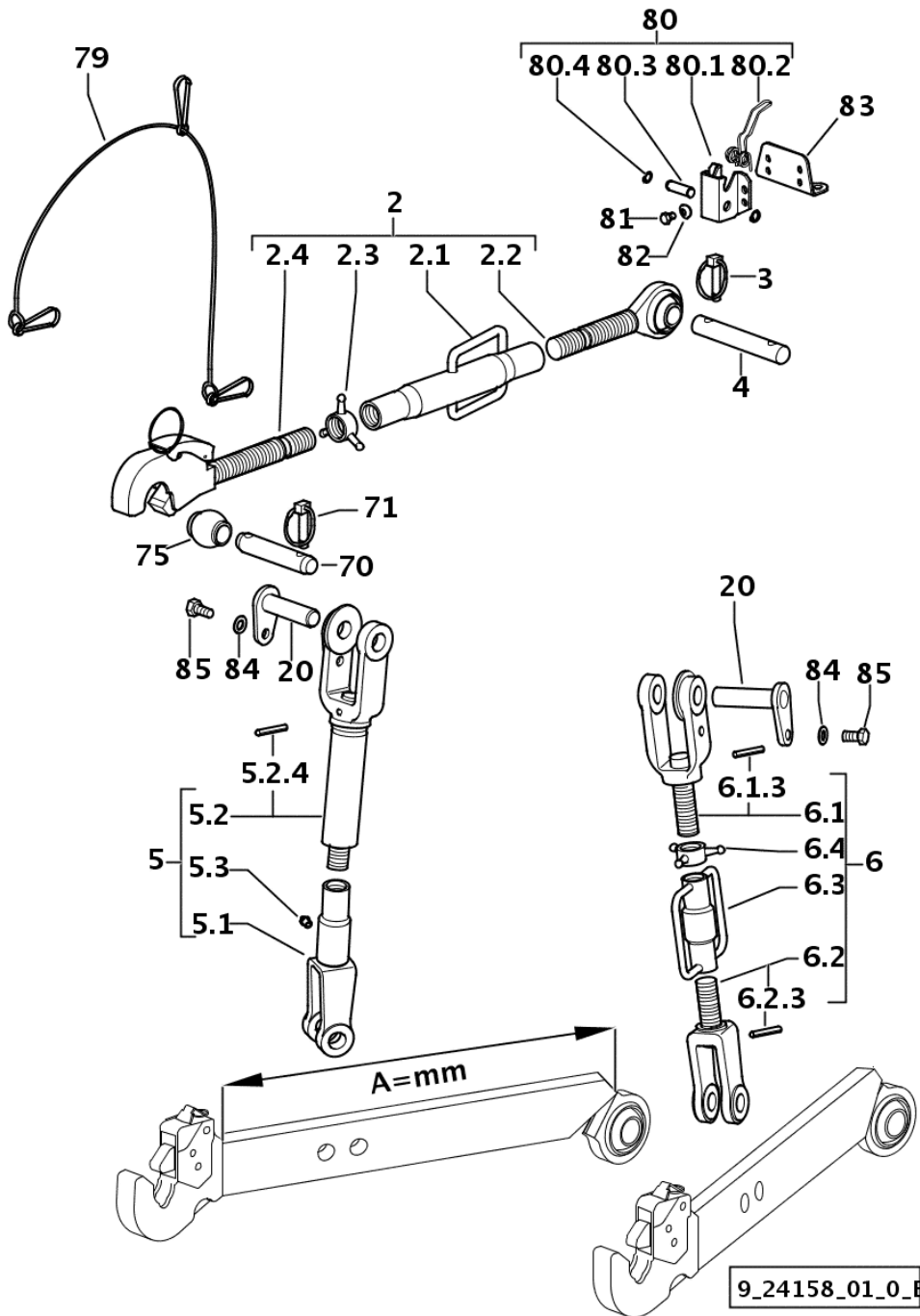
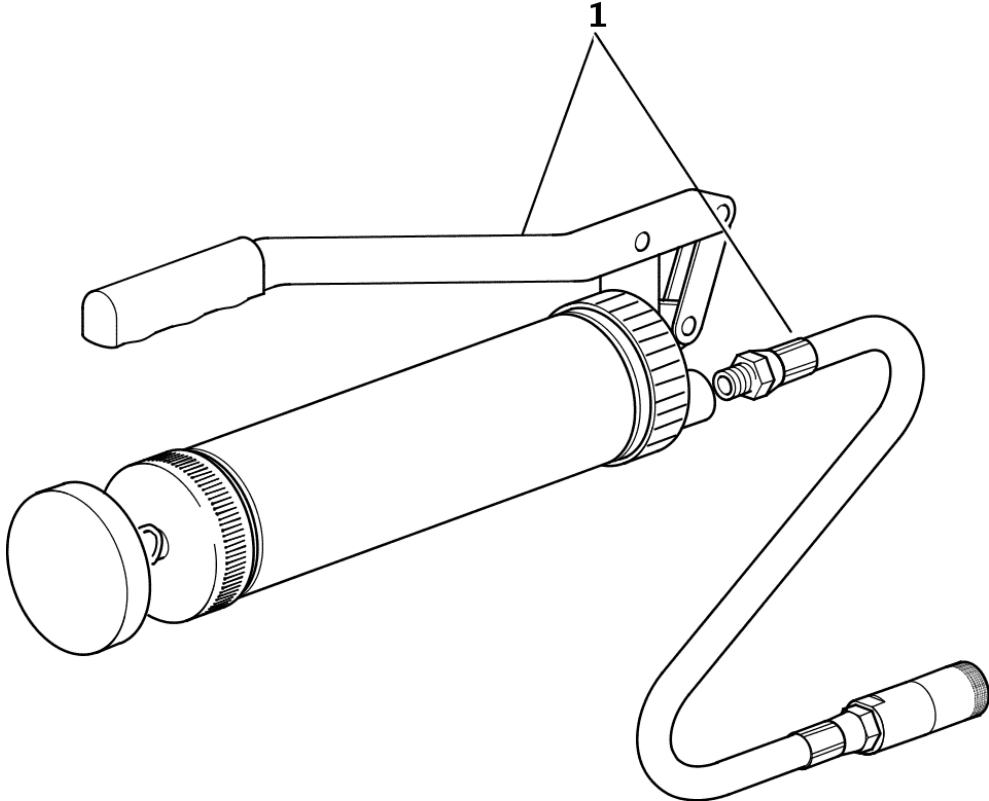


Fig.	Code	QTY	Name
2	0.013.2771.4/10	1	top link
2.1	0.013.2767.3/10	1	sleeve
2.2	0.013.2769.3	1	rod sx/lh/li
2.3	0.001.5059.0	1	nut
2.4	0.013.2770.3	1	automatic hook dx/rh/re
COMPONENT PARTS SEE COMPONENTS LIST			
☞ 0.013.2770.3			
☞ 0E.00.48			
3	0.010.9322.4	2	pin Ø 11
4	0.760.0451.0	1	pin
5	0.013.4433.4	1	rod
5.1	0.760.5436.3/20	1	rod sx/lh/li
5.2	0.013.4433.3	1	rod
5.2.4	2.1630.717.2	1	roll pin 8 x 50
5.3	2.3820.105.2	1	lubricator m 10 p.1 x 7
6	0.013.4434.4	1	adjustable tensioner
6.1	0.013.4434.3	1	rod
6.1.3	2.1630.717.2	1	roll pin 8 x 50
6.2	0.760.5452.3/20	1	rod sx/lh/li
6.2.3	2.1630.717.2	1	roll pin 8 x 50
6.3	0.760.5453.2/10	1	sleeve
6.4	0.007.6990.0	1	wing nut
20	0.008.8469.2	2	pin
70	2.1669.024.2	1	pin 25.4 x 133
71	0.010.9322.4	1	pin Ø 11
75	0.96001.17.0	1	cap Ø 50
79	0.009.3534.0	1	cable
80	0.009.3492.4/40	1	stop
80.1	0.000.0000.1	0	not serviceable
80.2	2.4099.088.2/10	1	spring
80.3	2.1699.386.2	1	pin 12x42
80.4	2.1410.002.1	2	circlip 12
81	2.0112.203.2	4	screw m 8 p.1.25 x 12
82	2.1474.009.2	4	spring washer 8
83	0.011.2809.0	1	bracket
84	2.1475.204.2	2	washer 12
85	2.0112.409.2	2	screw m 12 p.1.75 x 25

**LUBRICATOR**

Fig.	Code	QTY	Name
1	0.011.6521.3	1	lubricator



9\_60873\_00\_0\_0

REARVIEW MIRROR.....	0.011.4205.4/20.A
SEAT-COMPONENTS.....	0.013.2052.4/10.A
SEAT-COMPONENTS.....	0.013.2860.4/10.A
COOLING SYSTEM EXPANSION TANK.....	0.013.6322.4/20.A
AIR FILTER PARTS.....	2.4249.600.0.A

Section: BODY WORK  
MODEL PLATE

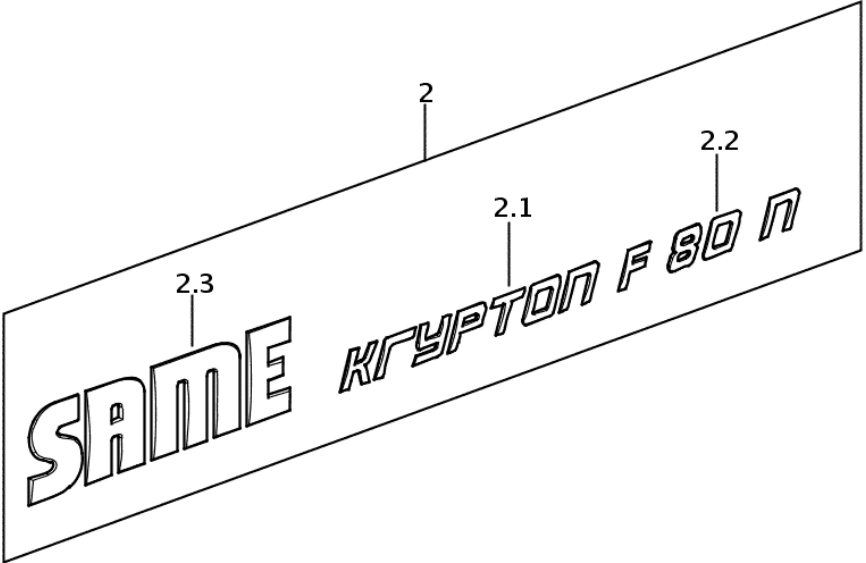
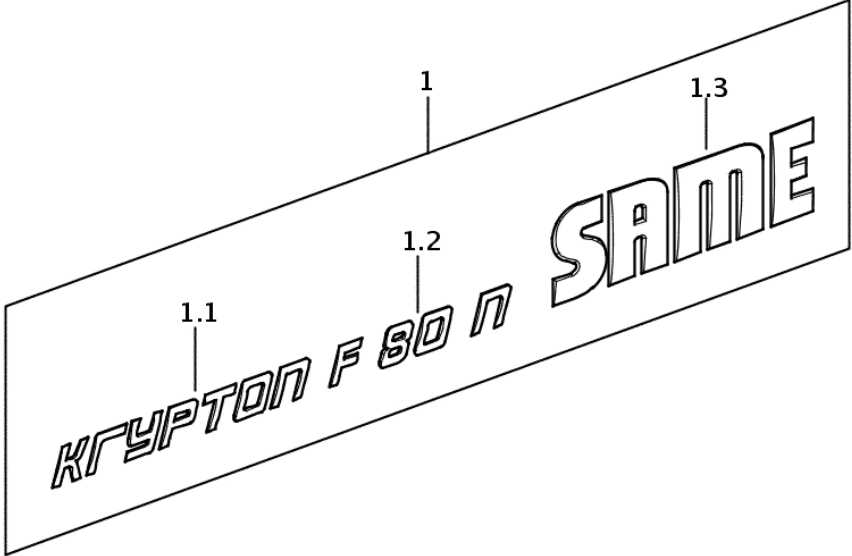


Fig.	Code	QTY	Name
------	------	-----	------

Notes:  
-> 1008 X KRYPTON F 80N

1	0.000.0000.1	0	not serviceable
1.1	0.014.5066.0	1	plate KRYPTON
1.2	0.014.5071.0	1	plate
1.3	0.014.4298.2	1	plate SAME
2	0.000.0000.1	0	not serviceable
2.1	0.014.5066.0	1	plate KRYPTON
2.2	0.014.5071.0	1	plate
2.3	0.014.4298.2	1	plate SAME



Section: BODY WORK  
**CABLE CONDUIT**

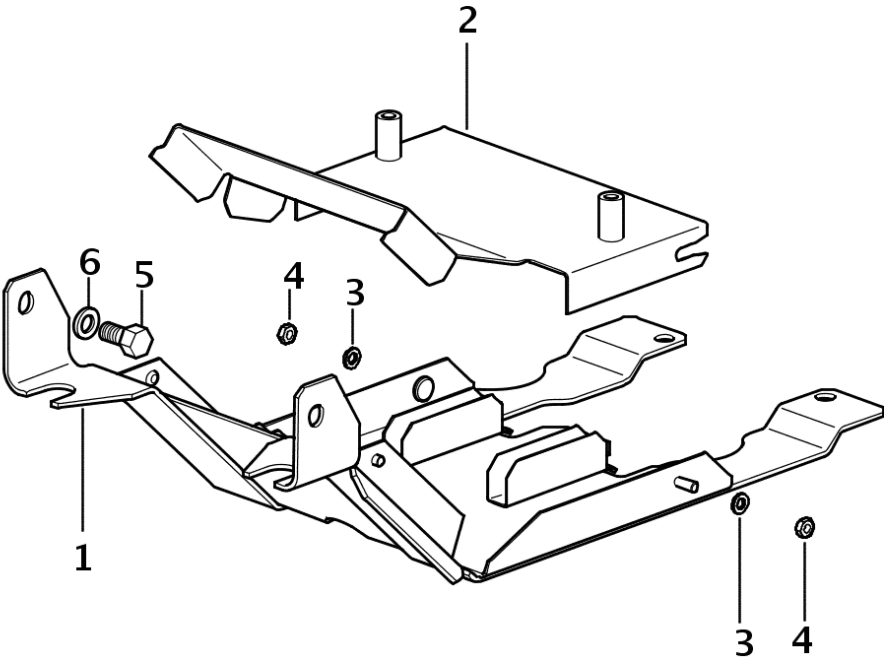


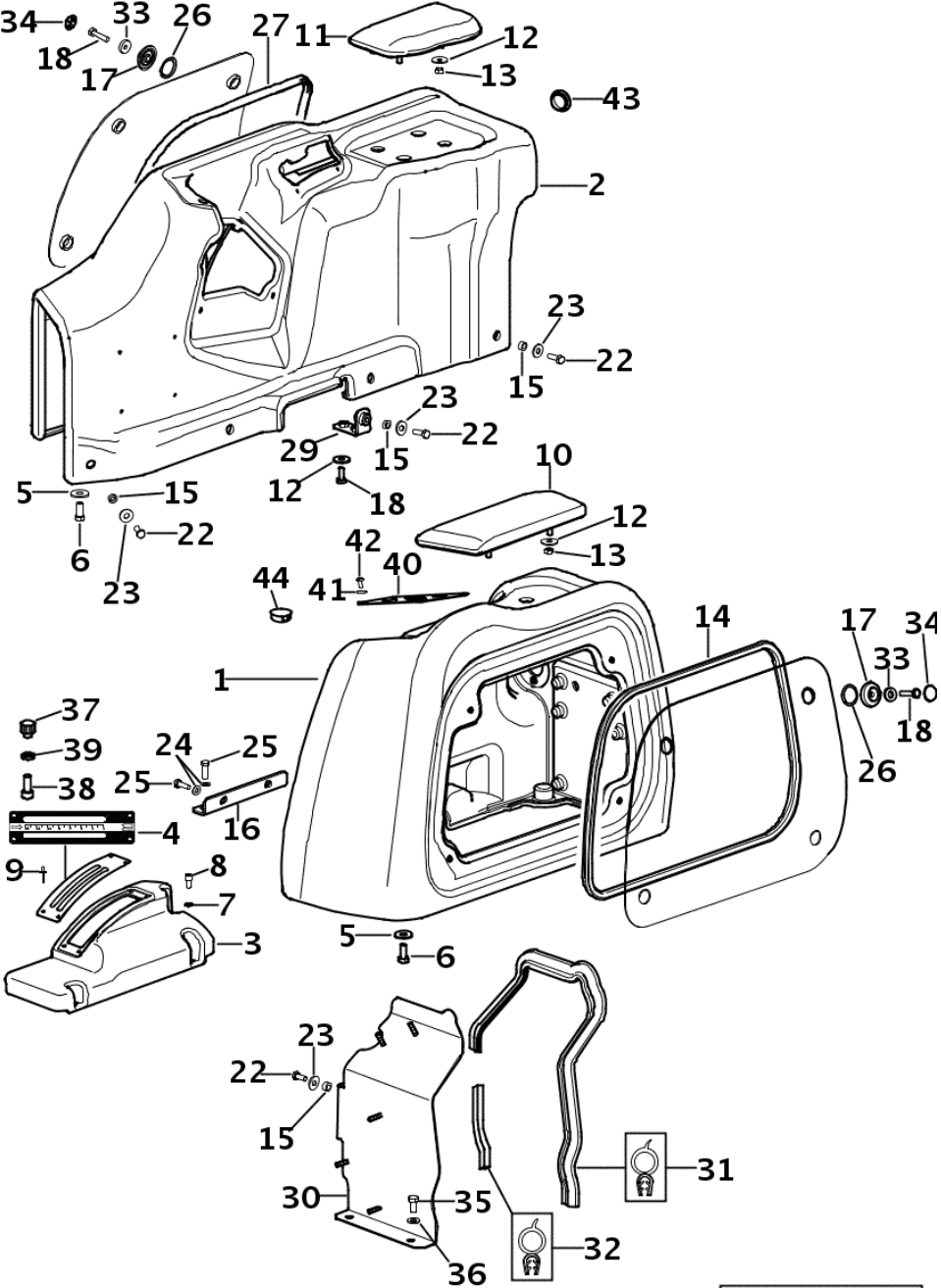
Fig.	Code	QTY	Name
1	0.013.3114.3/20	1	channel
2	0.013.3998.2/20	1	guard
3	2.1310.002.2	2	washer 6.6, d125
4	2.1011.103.2	2	nut m 6 p.1
5	2.0112.307.2	2	screw m 10 p.1.5 x 20
6	2.1310.006.2	2	flat washer 10.5

9\_24173\_03\_0\_0

Section: BODY WORK  
COFFRE

Fig.	Code	QTY	Name
------	------	-----	------

- > 1014 X KRYPTON F 90C
- > 1012 X KRYPTON F 100M
- > 1012 X KRYPTON F 100N



9\_G0276\_35\_0\_0

Section: BODY WORK  
**DRIVER'S SEAT**

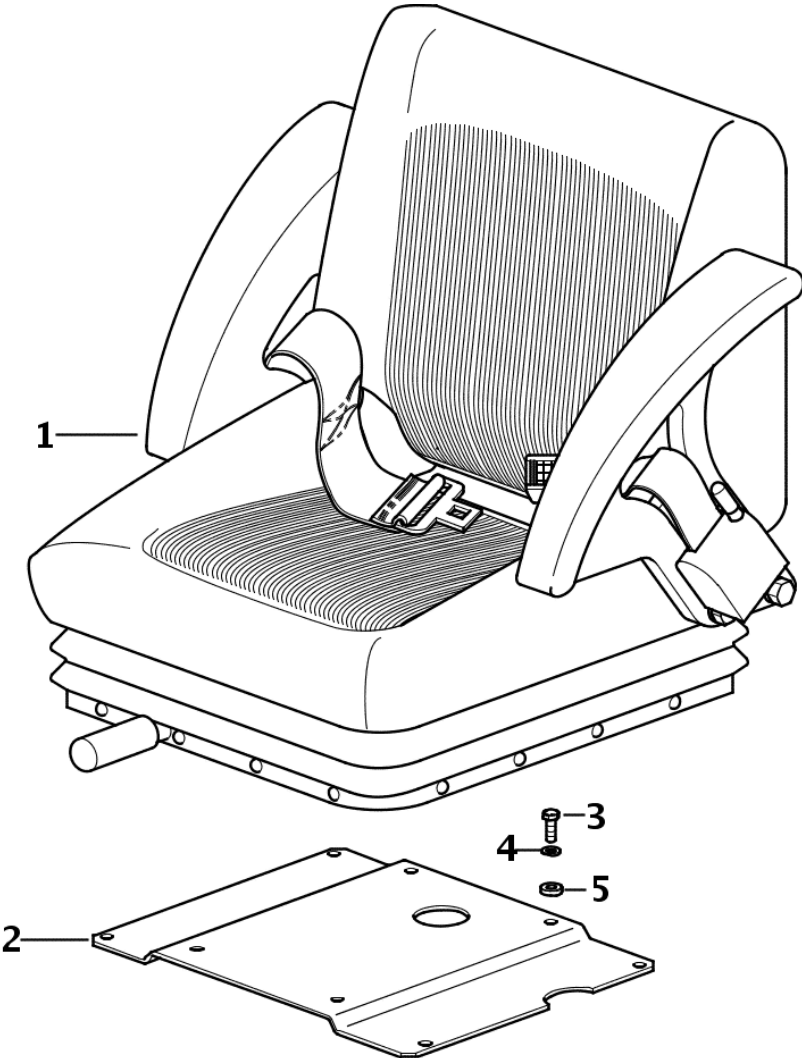


Fig.	Code	QTY	Name
1	0.013.2860.4/10	1	seat COMPONENT PARTS SEE COMPONENTS LIST ☞ 0.013.2860.4/10 ☞ 07.00.17
2	0.013.2855.3/30	1	plate
3	2.0112.208.2	4	screw m 8 p.1.25 x 22
4	2.1310.004.2	4	flat washer 8.5
5	2.1579.854.2	4	spacer 8.5x20x5

# KRYPTON F 80 N

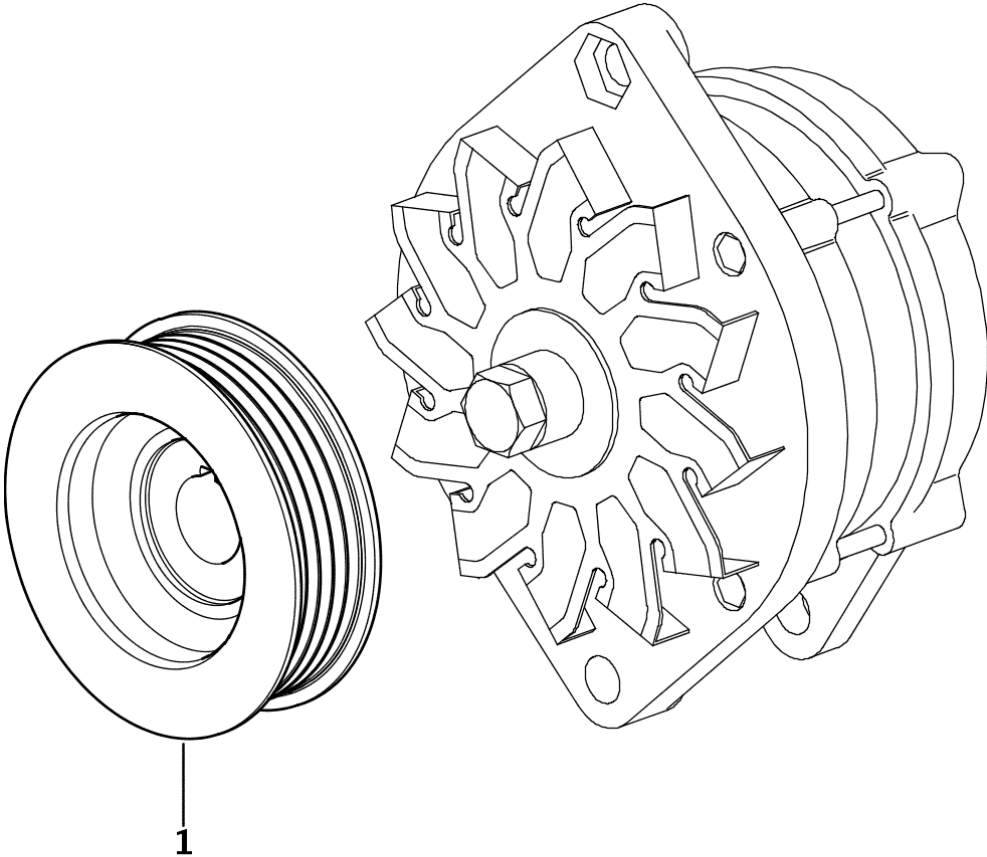
## ELECTRIC AL SYSTEM

### GENERAL

HEADLAMP FOR RIGHT-HAND DRIVE.....	08.00.1
FRONT LIGHTS.....	08.00.2
LIGHT FIXINGS.....	08.00.3
SWITCH.....	08.00.4
ELECTRIC LIGHTING SYSTEM.....	08.00.5
ELECTRICAL SYSTEM.....	08.00.6
ELECTRICAL SYSTEM.....	08.00.7
ALTERNATOR 65 A.....	08.00.8
ALTERNATOR MOUNTINGS.....	08.00.9
ALTERNATOR PULLEY.....	08.00.10
STARTER.....	08.00.11
COVER PLATE.....	08.00.12
BATTERY 12V 100Ah 550A.....	08.00.13
MECHANIC HEY-HOUR RECORDER TACHOMETER.....	08.00.14
BATTERY LEADS.....	0.013.7444.4.A
ELECTRICAL SYSTEM.....	0.014.2404.4/10.A
ELECTRICAL SYSTEM.....	0.014.2405.4.A
ELECTRICAL SYSTEM.....	0.014.2406.4.A
HEADLAMP COMPONENTS.....	2.8019.800.0.A
HEADLAMP COMPONENTS.....	2.8029.240.0/10.A
HEADLAMP COMPONENTS.....	2.8029.300.0.A
HEADLAMP COMPONENTS.....	2.8039.120.0.A
HEADLAMP COMPONENTS.....	2.8039.160.0.A
FRONT LIGHTS.....	2.8059.522.0.A
DASHBOARD BOX.....	2.8339.236.0/10.A
ALTERNATOR PARTS.....	2.9439.420.0/10.A
STARTER PARTS.....	2.9619.390.0.A

**ALTERNATOR PULLEY**

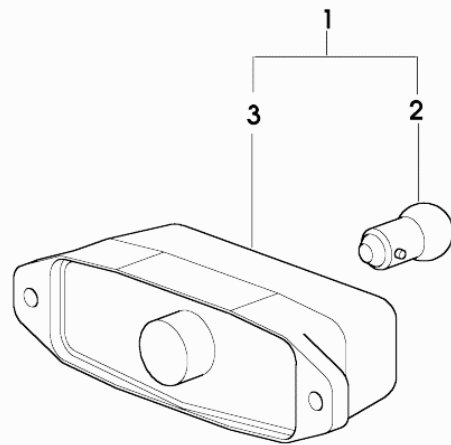
Fig.	Code	QTY	Name
1	0.013.7207.0	1	pulley



9\_D8984\_01\_0\_0

Section: ELECTRIC AL SYSTEM  
**HEADLAMP COMPONENTS**

Fig.	Code	QTY	Name
1	2.8029.240.0/10	1	side lamp
2	2.8313.005.0	1	lamp 12 V, 5 W
3	0.000.0000.1	0	not serviceable

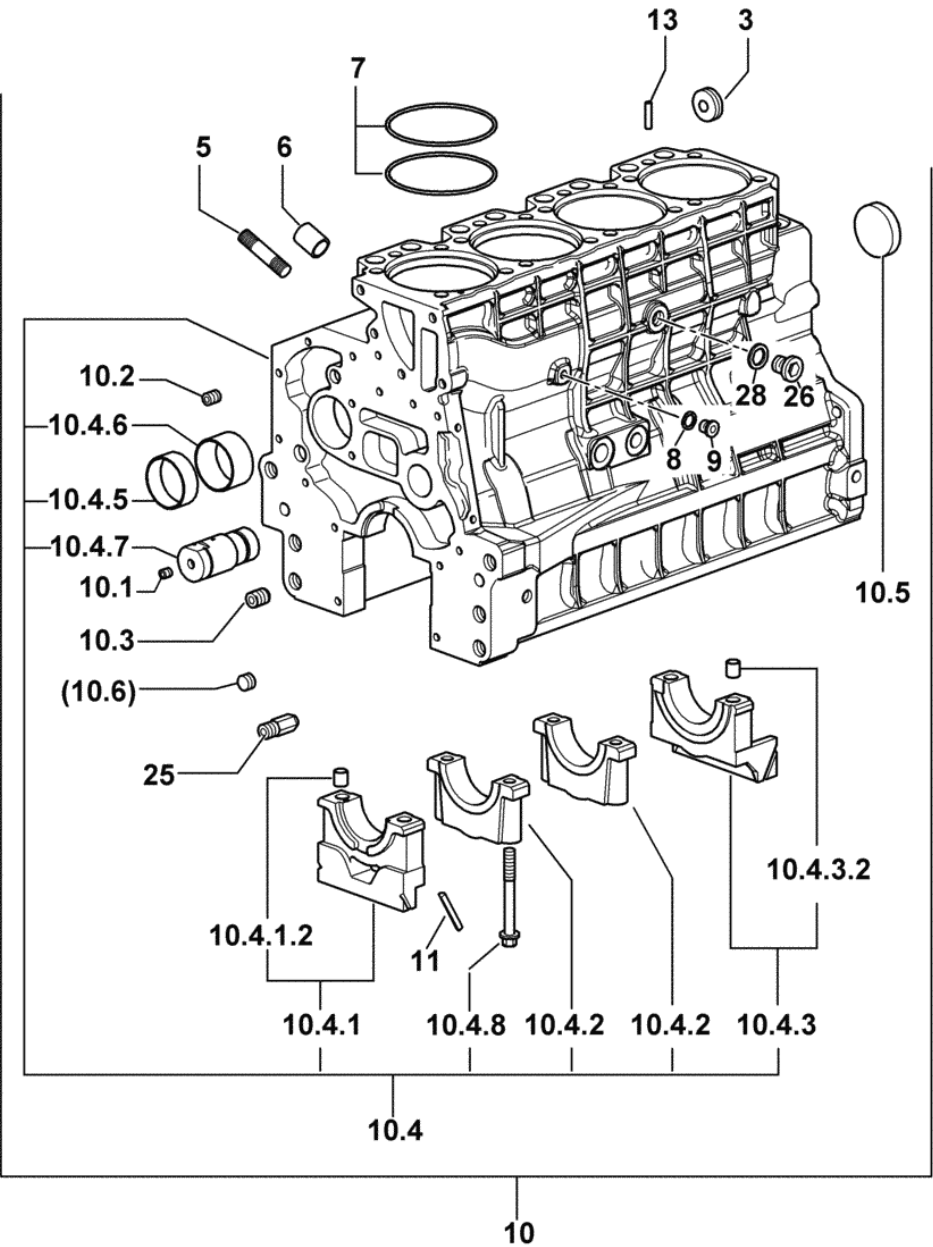


2\_8029\_240\_0\_10

Section: ENGINE  
**CRANKCASE**

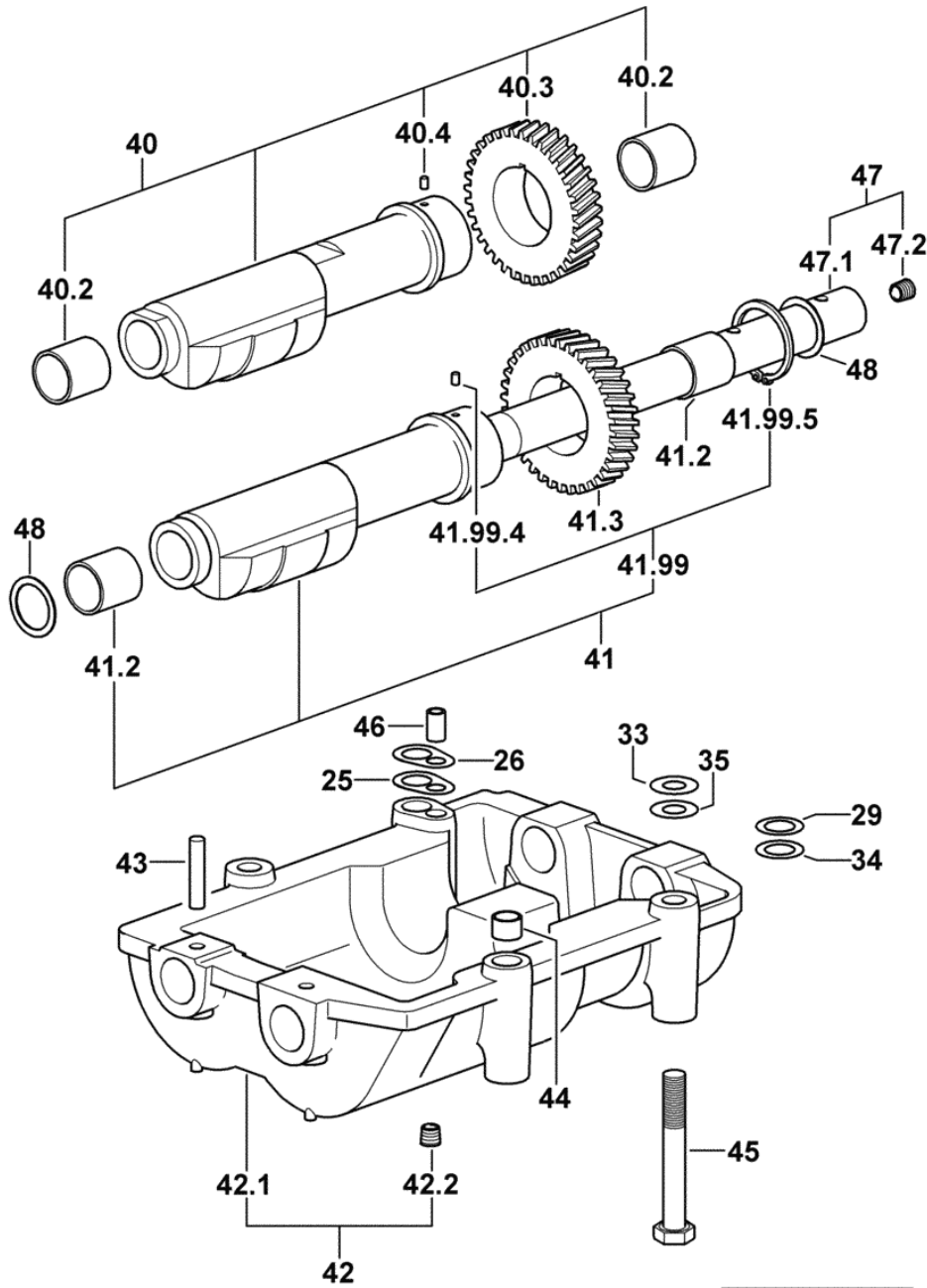
9\_M8211\_00\_0\_A

Fig.	Code	QTY	Name
3	2.3199.312.2/10	1	plug
5	2.0439.273.7	8	stud bolt m 8
6	2.1559.188.2	4	sleeve 11.4 x 14 x16
7	2.1539.193.0	8	'o' ring 107.62x2.62
8	2.1560.010.0	1	gasket 14.2 x 20 x 1.5
9	2.3199.292.0	1	plug 1/4" gas
10	0.013.0489.4/20	1	crankcase
10.1	2.3130.001.1	10	plug 1/8" gas
10.2	2.3130.002.1	2	plug 1/4" gas
10.3	2.3130.003.1	6	plug 3/8" gas
10.4	0.000.0000.1	0	not serviceable
10.4.1	0.065.1112.7	1	support
10.4.1.2	2.1699.165.0	1	sleeve 12.3x15x16
10.4.2	0.065.1114.0/10	3	support
10.4.3	0.065.1116.3	1	support
10.4.3.2	2.1699.165.0	1	sleeve 12.3x15x16
10.4.5	0.065.1140.0	4	bushing 59X55X20
10.4.6	0.065.1141.0	1	bushing 59X55X30
10.4.7	0.066.1151.0	1	pin
10.4.8	0.065.1117.0	10	screw m 12 x 100
10.5	2.3179.012.0	1	plug 60
11	0.066.1152.0/10	4	gasket
13	2.1549.154.2	4	sleeve 4.8x5.8x16
25	0.013.4946.0/10	1	cooling nozze
26	2.3120.101.0	1	plug m 18 p.1.5
28	2.1560.014.0	1	gasket 18.2 x 24 x 1.5



Section: ENGINE  
**COUNTERWEIGHTS**

Fig.	Code	QTY	Name
25	2.1589.139.0	1	snoulder mm 0.3
26	2.1589.140.0	3	snoulder mm 0.1
29	2.1579.628.0	3	spacer 16.5x26x0.1
33	2.1579.629.0	6	spacer 12.5x26x0.1
34	2.1589.048.0	1	snoulder 16.5x26x0.3
35	2.1589.049.0	1	snoulder 12.5x26x0.3
40	0.086.1233.3/30	1	mass sx/lh/li
40.2	2.1559.115.0	2	bushing 26x30x30
40.3	0.000.0000.1	0	not serviceable
40.4	2.1651.302.0	1	roll pin 4x6
41	0.065.1233.3/30	1	mass dx/rh/re
41.2	2.1559.115.0	2	bushing 26x30x30
41.3	0.000.0000.1	0	not serviceable
41.99	0.000.0000.1	0	not serviceable
41.99.4	2.1651.302.0	1	roll pin 4x6
41.99.5	2.1410.018.7	1	circlip 45
42	0.000.0000.1	0	not serviceable
42.1	0.086.1231.0/10	1	box
42.2	2.3130.001.1	4	plug 1/8" gas
43	2.1631.717.0	2	roll pin 8 x 40
44	2.1579.626.0	2	spacer 13.2x16x11
45	2.0139.028.2	4	screw m 12
46	2.1699.191.0	1	sleeve 7x10x16
47	0.000.0000.1	0	not serviceable
47.1	0.065.1234.0/10	1	shaft
47.2	2.3130.001.1	1	plug 1/8" gas
48	2.1589.185.0	4	snoulder 26.1x34x1



9\_33212\_03\_0\_0

CLICK HERE TO **DOWNLOAD** THE COMPLETE MANUAL

- Thank you very much for reading the preview of the manual.
- You can download the complete manual from: [www.heydownloads.com](http://www.heydownloads.com) by clicking the link below



- Please note: If there is no response to CLICKING the link, please download this PDF first and then click on it.

CLICK HERE TO **DOWNLOAD** THE COMPLETE MANUAL

Section: ENGINE  
LUBRICATION

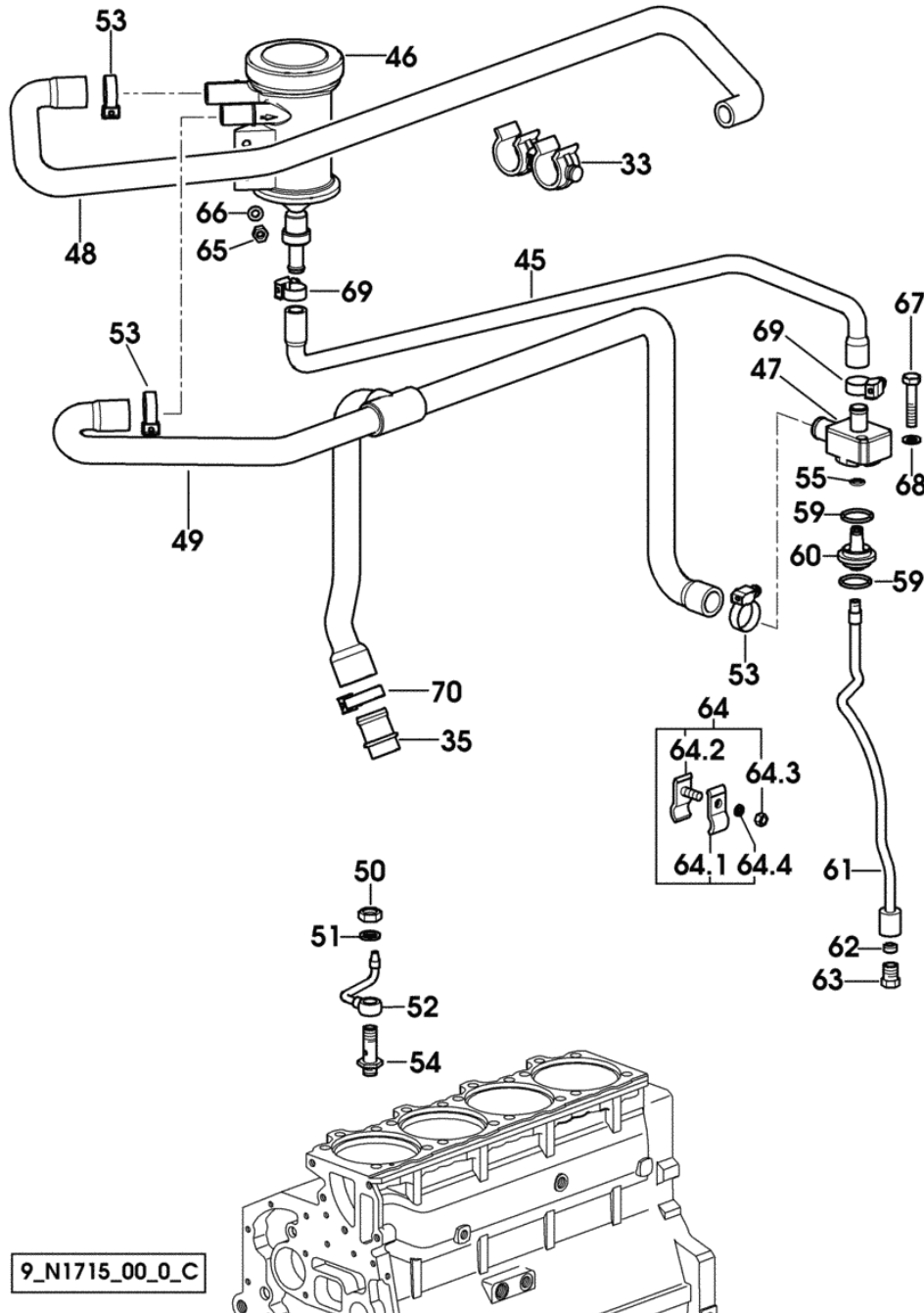


Fig.	Code	QTY	Name
33	0.013.6978.4	2	small spring
35	0.011.5918.0/10	1	tube
45	0.013.6895.0	1	tube
46	0.013.5023.0	1	sediment bowl
47	0.013.5525.2/10	1	flange
48	0.013.6904.0	1	tube
49	0.013.6921.0	1	tube
50	2.1099.108.2	4	special nut m 10 p.1
51	2.1560.006.0	8	gasket 10.2 x 16
52	0.086.1550.2	4	cooling nozzle
53	2.6851.002.0	3	clamp Ø 20/32
54	0.065.1160.3/20	4	valve
55	2.1532.012.0	1	'o' ring 6.75 x 1.78
59	2.1539.072.0	2	'o' ring 23.52 x 1.78
60	0.066.1558.0	1	sleeve
61	0.066.1557.2	1	tube
62	2.3350.003.1	1	nosepiece 8
63	2.3339.418.1	1	pipe fitting m 12 p.1
64	0.000.0000.1	0	not serviceable
64.1	0.075.1552.0	1	bracket
64.2	0.075.1552.2	1	bracket
64.3	2.1011.103.2	1	nut m 6 p.1
64.4	2.1470.002.2	1	washer 6, d128
65	2.1120.103.2	2	nut m 6
66	2.1310.002.2	2	washer 6.6, d125
67	2.0112.215.2	2	screw m 8 p.1.25 x 40
68	2.1474.009.2	2	spring washer 8
69	2.6851.001.0	3	clamp Ø 16/25
70	2.6851.003.0	1	clamp Ø 25/40

Section: ENGINE  
**COOLING WATER PUMP**

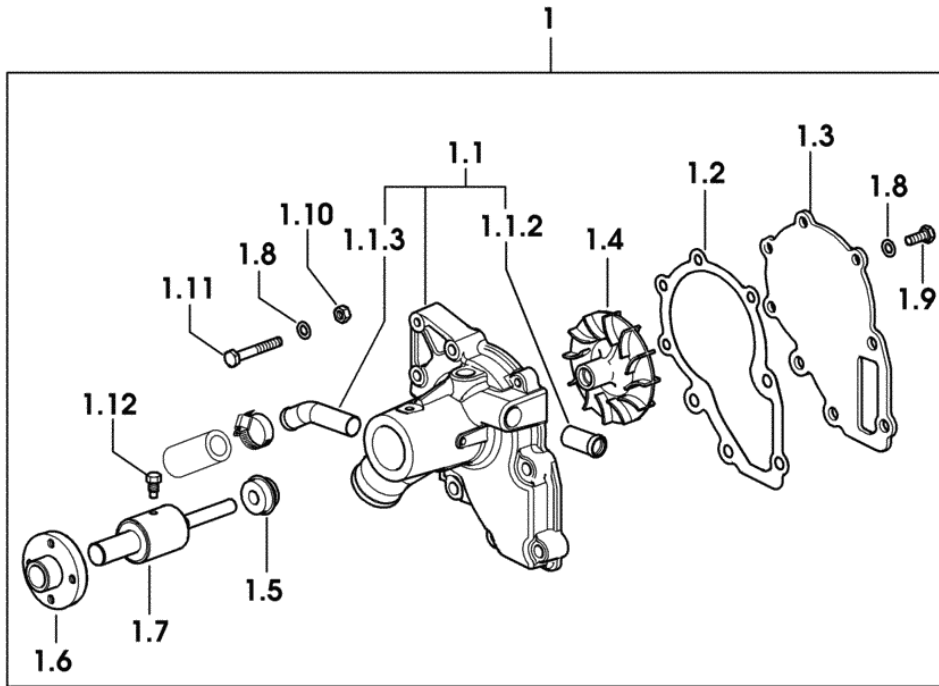
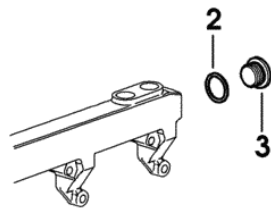


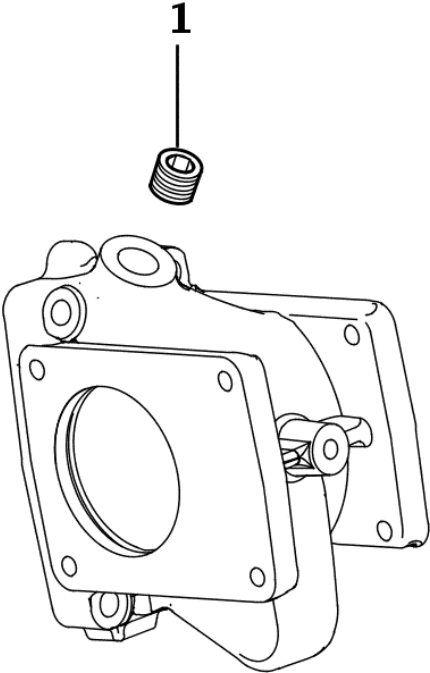
Fig.	Code	QTY	Name
1	0.010.4616.4/20	1	water pump
1.1	0.000.0000.1	0	not serviceable
1.1.2	0.066.1750.0	1	tube
1.1.3	0.082.1751.0	1	tube mm 18
1.2	0.066.1752.0/30	1	gasket
1.3	0.066.1744.0/10	1	plate
1.4	0.000.0000.1	0	not serviceable
1.5	2.1569.200.0	1	'o' ring
1.6	0.010.1139.0/20	1	flange
1.7	0.000.0000.1	0	not serviceable
1.8	2.1470.004.2	4	washer 8
1.9	2.0112.207.2	2	screw m 8 p 1.25 x 20
1.10	2.1011.105.2	2	nut m 8 p.1.25
1.11	2.0112.220.2	2	screw m 8 p.1.25x55
1.12	2.0119.214.2	1	screw
2	2.1560.054.0	1	gasket 21 x 26
3	2.3199.001.2	1	plug 1/2" gas



9\_35817\_00\_0\_0

**PLUG**

Fig.	Code	QTY	Name
1	2.3131.003.2	1	plug m 16 p.1.5



9\_34819\_02\_0\_0

# KRYPTON F 80 N

## FRONT AND REAR P.T.O.

### GENERAL

P.T.O. SHAFT REAR.....	05.00.1
P.T.O. - WITH N° 540 - 750.....	05.00.2
PTO DATA PLATE.....	05.00.3
P.T.O. - HYDRAULIC CLUTCH.....	05.00.4
PTO CLUTCH PIPES.....	05.00.5
P.T.O. ENGAGEMENT CONTROL.....	05.00.6
P.T.O. - HYDRAULIC CLUTCH.....	0.011.9972.4/50.A
P.T.O. - HYDRAULIC CLUTCH.....	0.011.9972.4/70.A

Section: FRONT AXEL  
FRONT SUPPORT

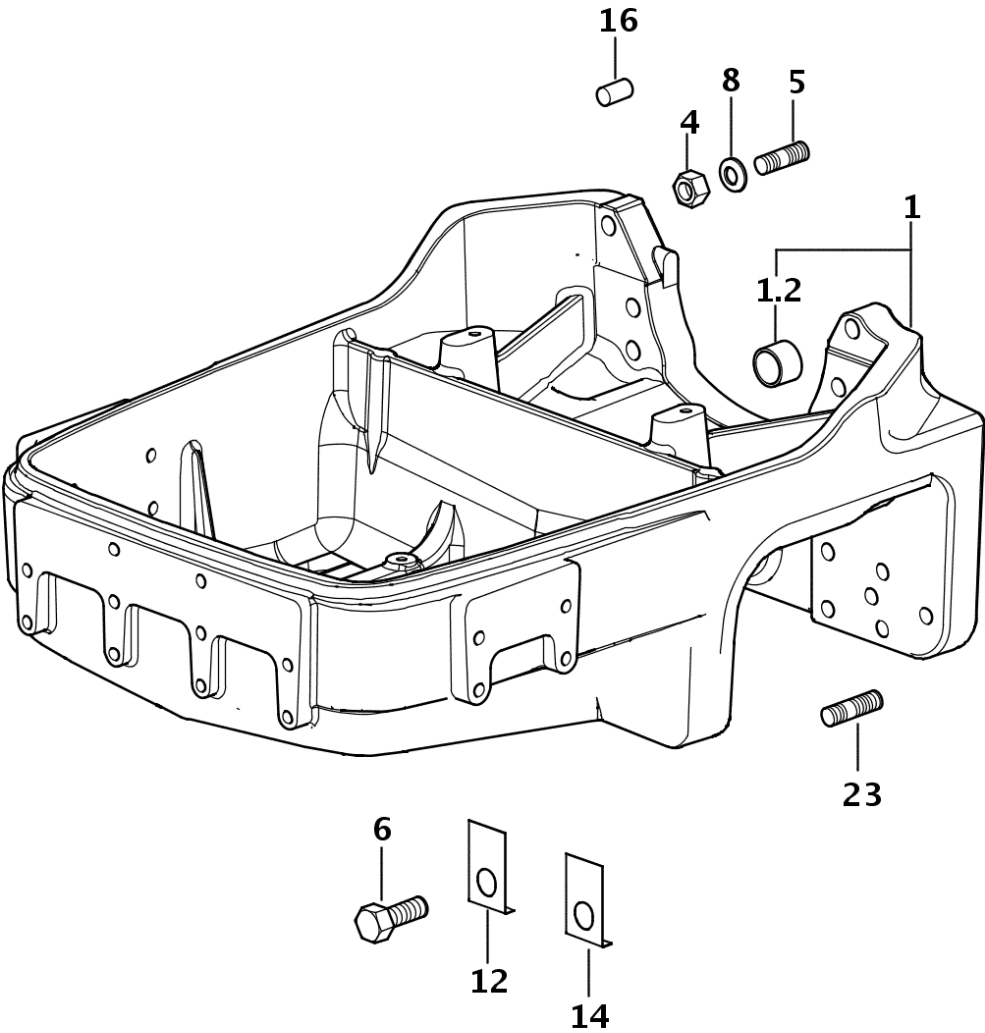
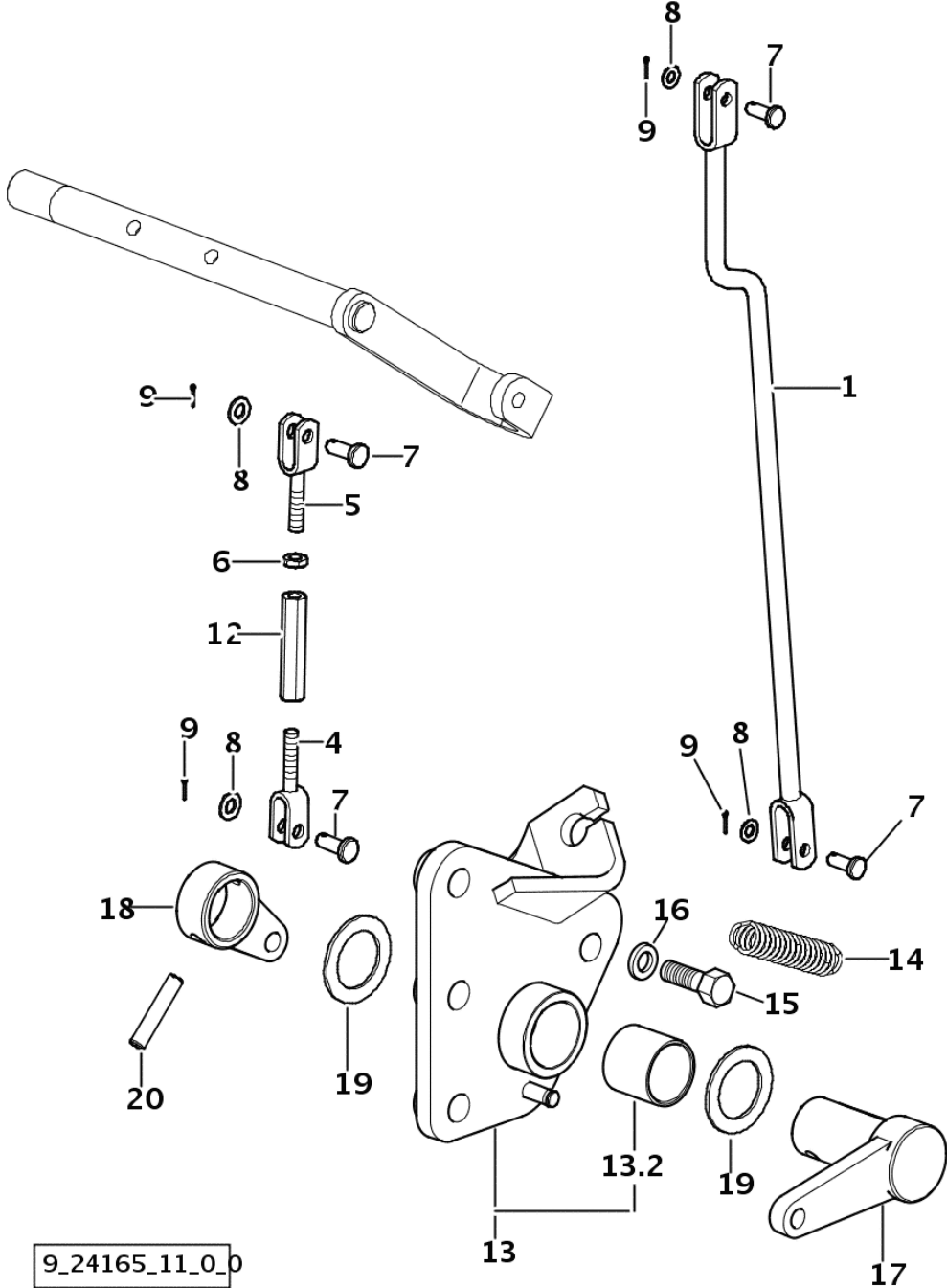


Fig.	Code	QTY	Name
1	0.013.0000.3/80	1	front support
1.2	0.191.5154.0	1	bushing 35x42x30
4	2.1011.310.2	6	nut m 18 p.1.5
5	2.0432.518.7	6	stud bolt m 18 p.2.5-1.5x65
6	2.0112.723.2	2	screw m 18 p.2.5X70
8	2.1475.007.7	4	washer 18
12	0.255.5251.0	4	shim mm 0.20
14	0.255.5252.0	4	shim mm 0.50
16	2.1699.035.0	2	cylindrical plug 14 x 35
23	2.0432.519.7	6	stud bolt m 18 p.2.5-1.5x70

9\_24152\_00\_0\_B

Section: GEAR  
**CLUTCH CONTROL**

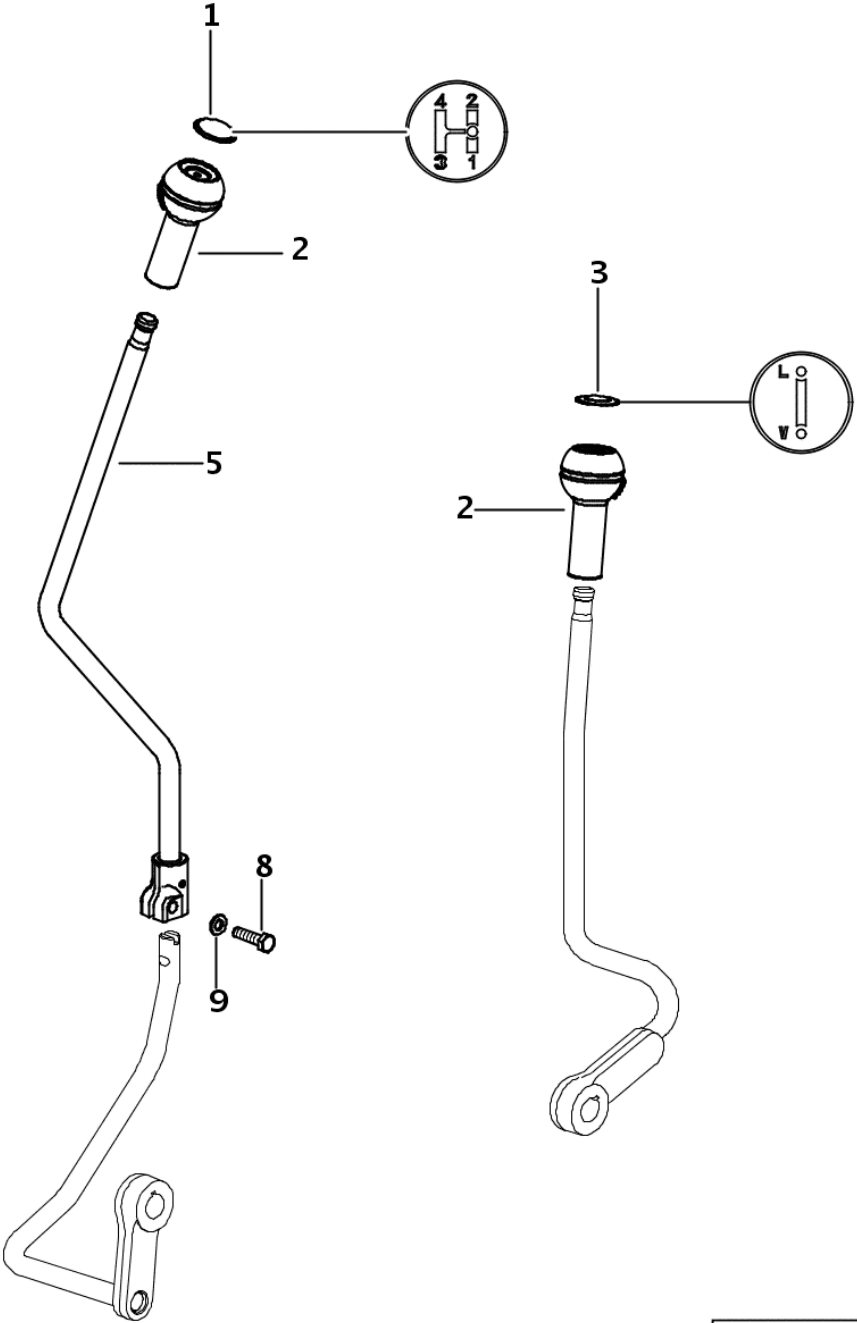
Fig.	Code	QTY	Name
1	0.013.2120.2	1	rod
4	0.013.3107.2	1	fork
5	0.013.3106.2	1	fork
6	2.1011.206.2	1	nut m 10 p.1.5
7	2.1671.407.2	4	pin 10 x 28
8	2.1310.006.2	4	flat washer 10.5
9	2.1690.308.2	4	split pin 3.2 x 20
12	0.013.3105.0	1	rod
13	0.013.5002.3/10	1	bracket
13.2	2.1555.515.0	1	bushing 30x34x30
14	2.4049.165.2	1	spring
15	2.0112.513.2	4	screw m 14 p.2 x 35
16	2.1310.009.2	4	flat washer 14
17	0.013.2121.2/10	1	pin
18	0.013.2122.2/10	1	hub
19	2.1599.511.2	2	snoulder 30.5x45x2
20	2.1630.715.2	1	roll pin



9\_24165\_11\_0\_0

Section: GEAR  
GEARSHIFT LEVER

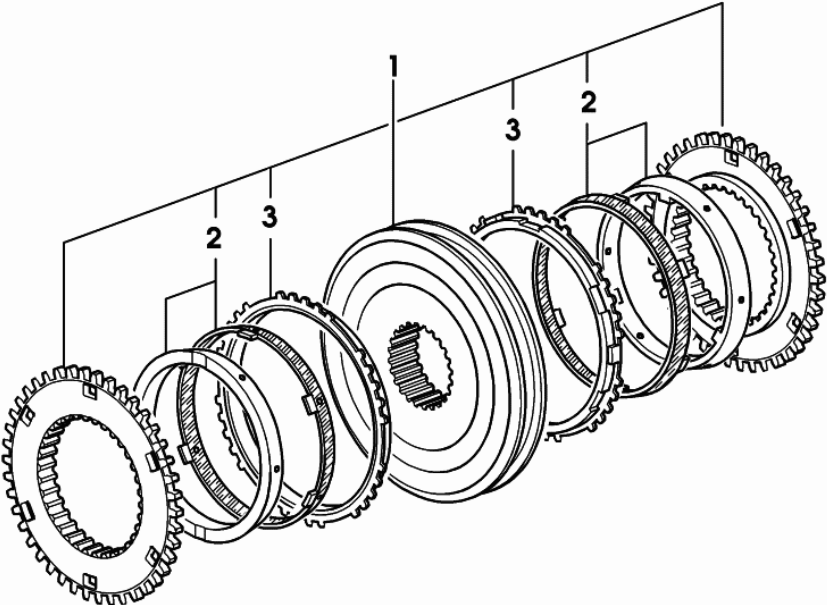
Fig.	Code	QTY	Name
1	0.292.6460.0/10	1	cap
2	0.467.6413.0	2	knob
3	0.013.4253.0	1	cap
5	0.013.4236.3	1	lever
8	2.0112.211.2	2	screw m 8 p.1.25 x 30
9	2.1310.004.2	1	flat washer 8.5



9\_24164\_01\_0\_

Section: GEAR  
**SYNCHRONIZER PARTS**

Fig.	Code	QTY	Name
1	0.011.8378.4/10	1	lock synchronizer $\varnothing$ 71/76
2	0.010.3885.1	2	ring
3	0.010.3885.2	2	lock synchronizer



0\_011\_8378\_4\_10

9\_24166\_00\_0\_0

KRYPTON F 80 N

Ref.: 03.00.10

Section: REAR AXLE  
HAND BRAKE

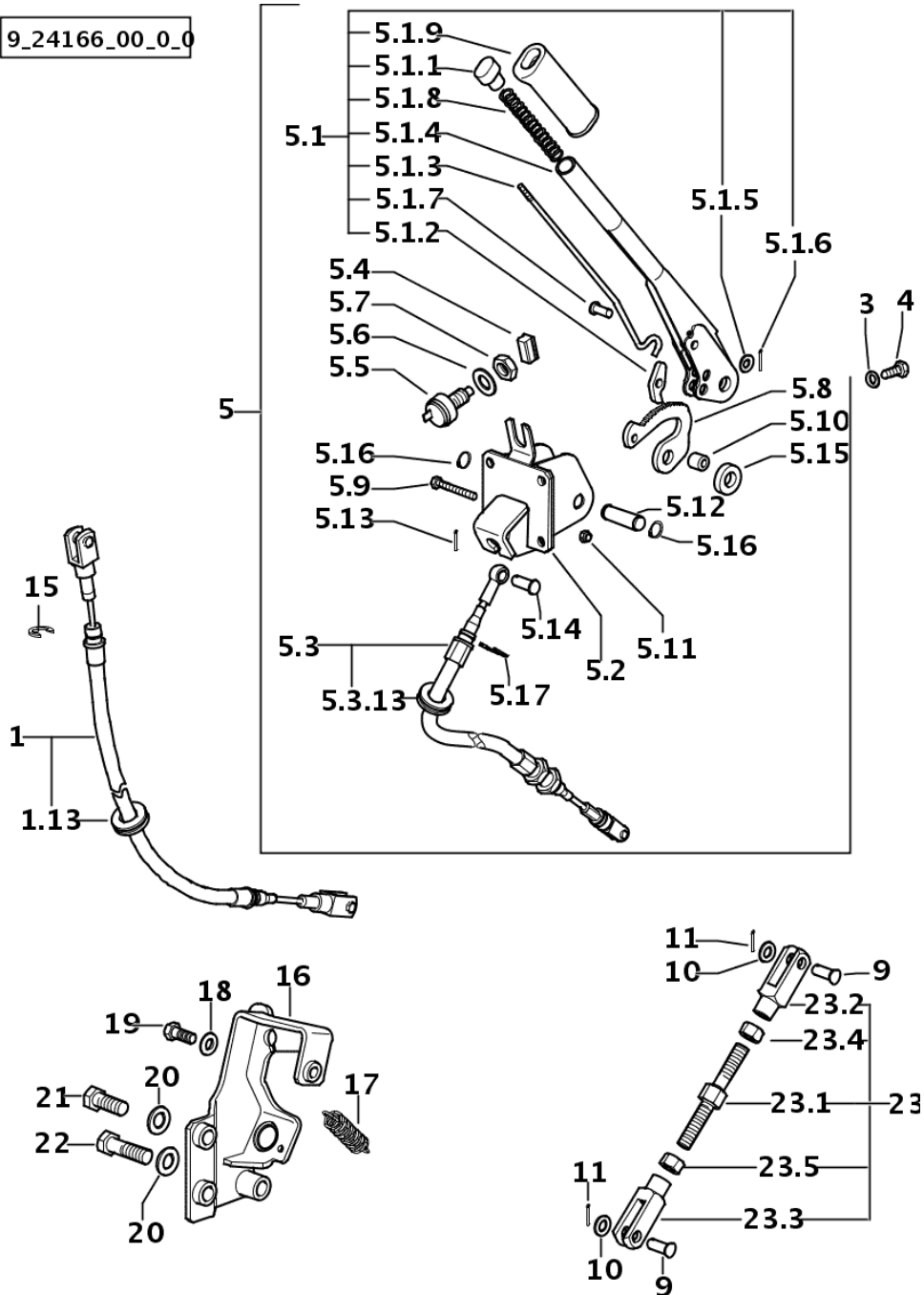


Fig.	Code	QTY	Name
23.1	0.013.6505.0	1	rod
23.2	2.3519.105.2	1	fork dx/rh/re
23.3	2.3519.106.2	1	fork sx/lh/li
23.4	2.1011.107.2	1	nut m 12 p.1.75
23.5	2.1019.139.2	1	nut m 12 - sx/lh/li

# KRYPTON F 80 N

## POWER STEERING - HYDRAULIC SYSTEM

### GENERAL

STEERING CLUTCH.....	06.00.1
STEERING CONTROL.....	06.00.2
STEERING CONTROL.....	06.00.3
STEERING CONTROL.....	06.00.4
STEERING CONTROL.....	06.00.5
HYDRAULIC PUMP 11 cc.....	06.00.6
GEARBOX OIL COOLER.....	06.00.7
GEAR BOX OIL RADIATOR TUBES.....	06.00.8
COMPLETING THE HYDRAULIC PUMP - FOR VERSIONS WITHOUT OIL RADIATOR.....	06.00.9
HYDRAULIC PUMP 22.5 cm <sup>3</sup> .....	06.00.10
LATERAL CLUTCH CONTROL.....	06.00.11
HYDRAULIC PUMP PARTS.....	0.012.3580.4/40.A
CONTROL VALVE FOR STEERING.....	0.012.9821.4.A
HYDRAULIC PUMP PARTS.....	2.4539.640.0.A
HYDRAULIC PUMP PARTS.....	2.4539.883.0.A

**COMPLETING THE HYDRAULIC PUMP - FOR VERSIONS WITHOUT OIL RADIATOR**

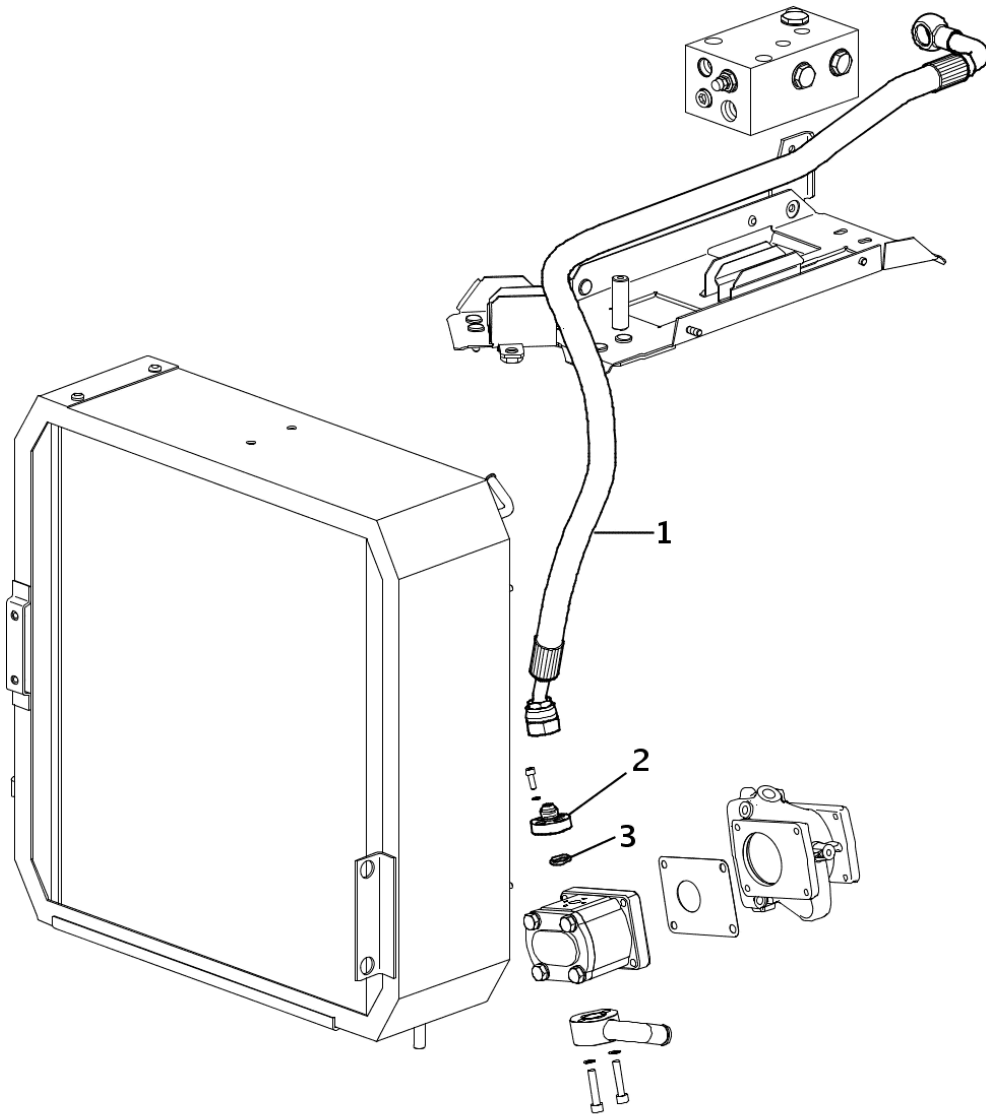


Fig.	Code	QTY	Name
1	0.014.2861.3	1	tube
2	0.012.6681.0	1	flange
3	2.1530.037.0	1	'o' ring 15.08x2.62

9\_G0261\_11\_0\_0

**UNDERCARRIAGE STEEL COVER PANEL sx/lh/li**

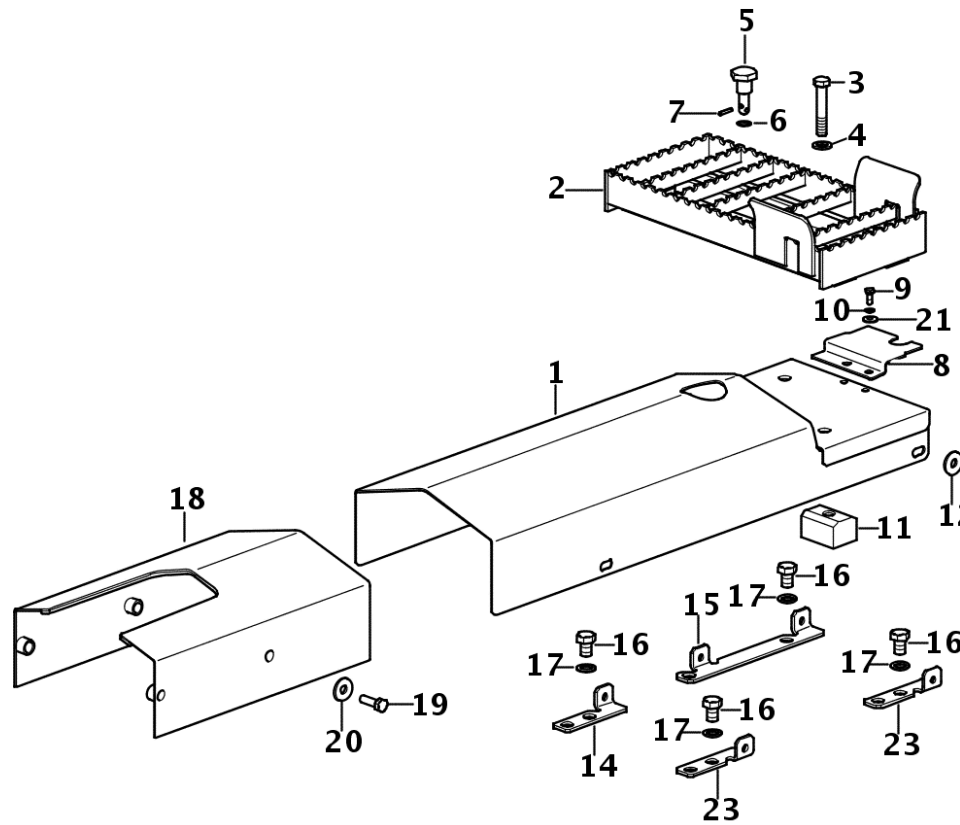


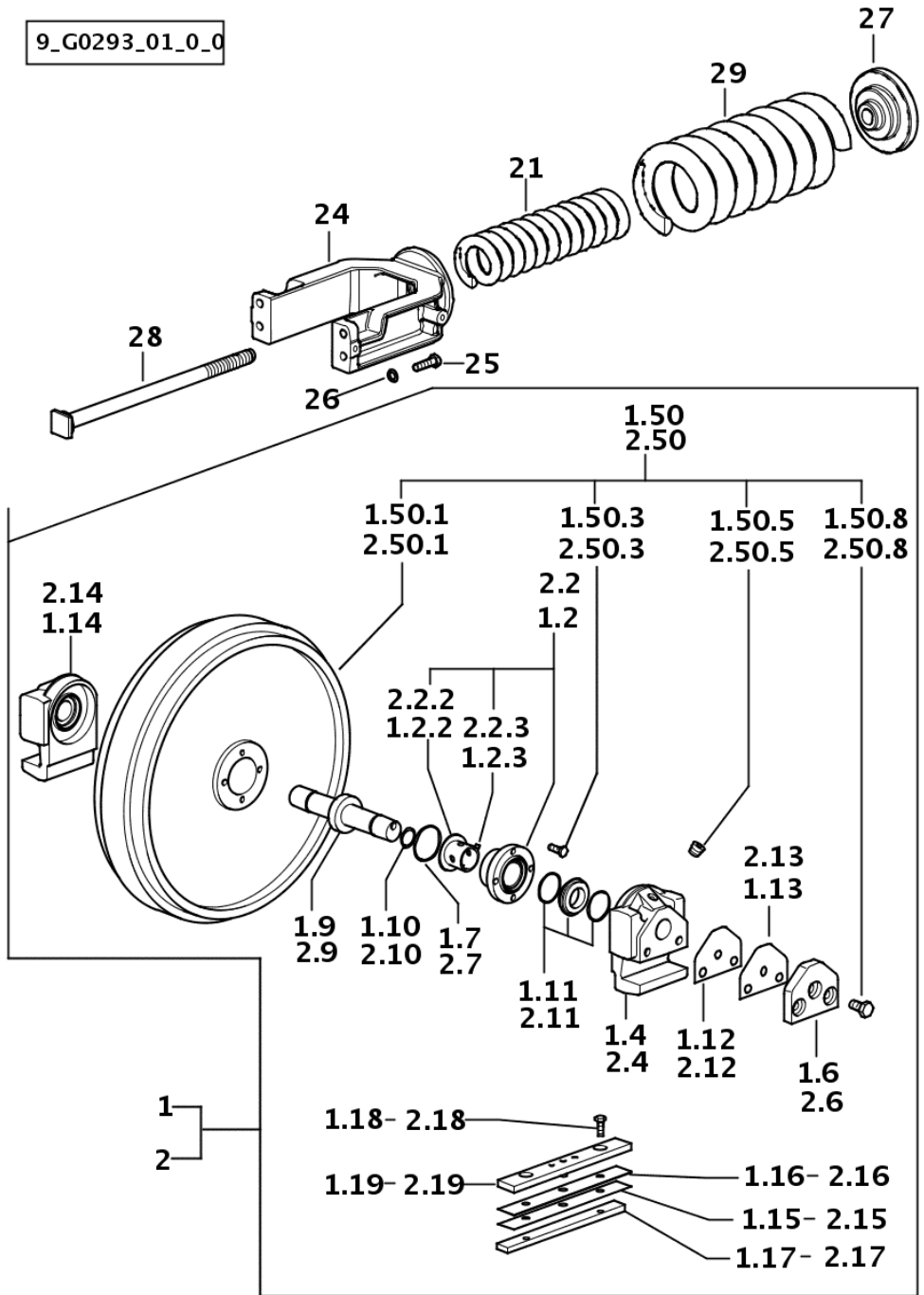
Fig.	Code	QTY	Name
1	0.013.4167.3/10	1	shield
2	0.013.4159.2	1	climbing steps
3	2.0114.421.2	1	screw
4	2.1310.007.2	1	flat washer 13.5
5	2.1699.568.2	1	pin
6	2.1589.160.0	1	snoulder 12.5x18x0.5
7	2.1630.450.2	1	pin 4x22
8	0.013.4165.0	1	bracket
9	2.0114.005.2	2	screw m 6 p.1.0 x 16
10	2.1470.002.2	2	washer 6, d128
11	0.013.4161.0	1	small block
12	2.1312.005.2	9	washer 10.2
13	2.0112.305.2	9	screw m 10 p.1.5 x 16
14	0.012.2674.0	3	bracket
15	0.013.4217.0	1	bracket
16	2.0112.507.2	16	screw m 14 p.2x20
17	2.1470.008.2	16	lock washer 14
18	0.012.2720.2	2	shield
19	2.0112.311.2	8	screw m 10 p.1.5 x 30
20	2.1312.005.2	8	washer 10.2
21	2.1312.003.3	2	washer 6.6 x 18
23	0.012.2672.0	4	bracket

9\_24191\_04\_0\_A

Section: TRACK

**IDLER WHEEL - WITH "FL4" SEMILUBRICATED TRACK CHAIN**

Fig.	Code	QTY	Name
2.50.5	2.3130.003.2	2	plug 3/8" gas
2.50.8	2.0132.607.7	6	screw m 14 p.1.5x25
21	2.4019.238.1/10	2	spring
24	0.013.5021.0	2	fork
25	2.0112.415.2	8	screw m 12 p.1.75 x 40
26	2.1470.007.2	8	lock washer 12
27	0.216.9314.0/30	2	bottom
28	0.011.7913.0/30	2	rod
29	2.4019.246.1	2	spring



CLICK HERE TO **DOWNLOAD** THE COMPLETE MANUAL

- Thank you very much for reading the preview of the manual.
- You can download the complete manual from: [www.heydownloads.com](http://www.heydownloads.com) by clicking the link below



- Please note: If there is no response to CLICKING the link, please download this PDF first and then click on it.

CLICK HERE TO **DOWNLOAD** THE COMPLETE MANUAL