

KRYPTON 95

ACCESSORIES

GENERAL

6-WAY AUXILIARY DISTRIBUTOR.....	0E.00.1
6-WAY AUXILIARY DISTRIBUTOR.....	0E.00.2
6-WAY AUXILIARY DISTRIBUTOR.....	0E.00.3
PLATES- FOR 6-WAY DISTRIBUTOR.....	0E.00.4
10-WAY AUXILIARY DISTRIBUTOR.....	0E.00.5
10-WAY AUXILIARY DISTRIBUTOR.....	0E.00.6
10-WAY AUXILIARY DISTRIBUTOR.....	0E.00.7
PLATES- FOR 10-WAY DISTRIBUTOR.....	0E.00.8
REINFORCED 3-POINT LINKAGE.....	0E.00.9
REINFORCED 3-POINT LINKAGE.....	0E.00.10
BRACKET FOR TOP LINK SUPPORT SPRING.....	0E.00.11
FRONT TOWING HITCH.....	0E.00.12
TOWING BAR mm 1603.5.....	0E.00.13
TOWING BAR mm 1431.....	0E.00.14
CURVED CROSS MEMBER FOR DRAWBAR.....	0E.00.15
FRONT BALLAST n. 8.....	0E.00.16
FRONT WEIGHT CARRIER.....	0E.00.17
SIDE BALLASTS kg 200.....	0E.00.18
PLATE FOR FRONT CARRIER.....	0E.00.19
P.T.O. GUARD.....	0E.00.20
LUBRICATOR.....	0E.00.21
TOOL POUCH.....	0E.00.22

CLICK HERE TO **DOWNLOAD** THE COMPLETE MANUAL

- Thank you very much for reading the preview of the manual.
- You can download the complete manual from: www.heydownloads.com by clicking the link below



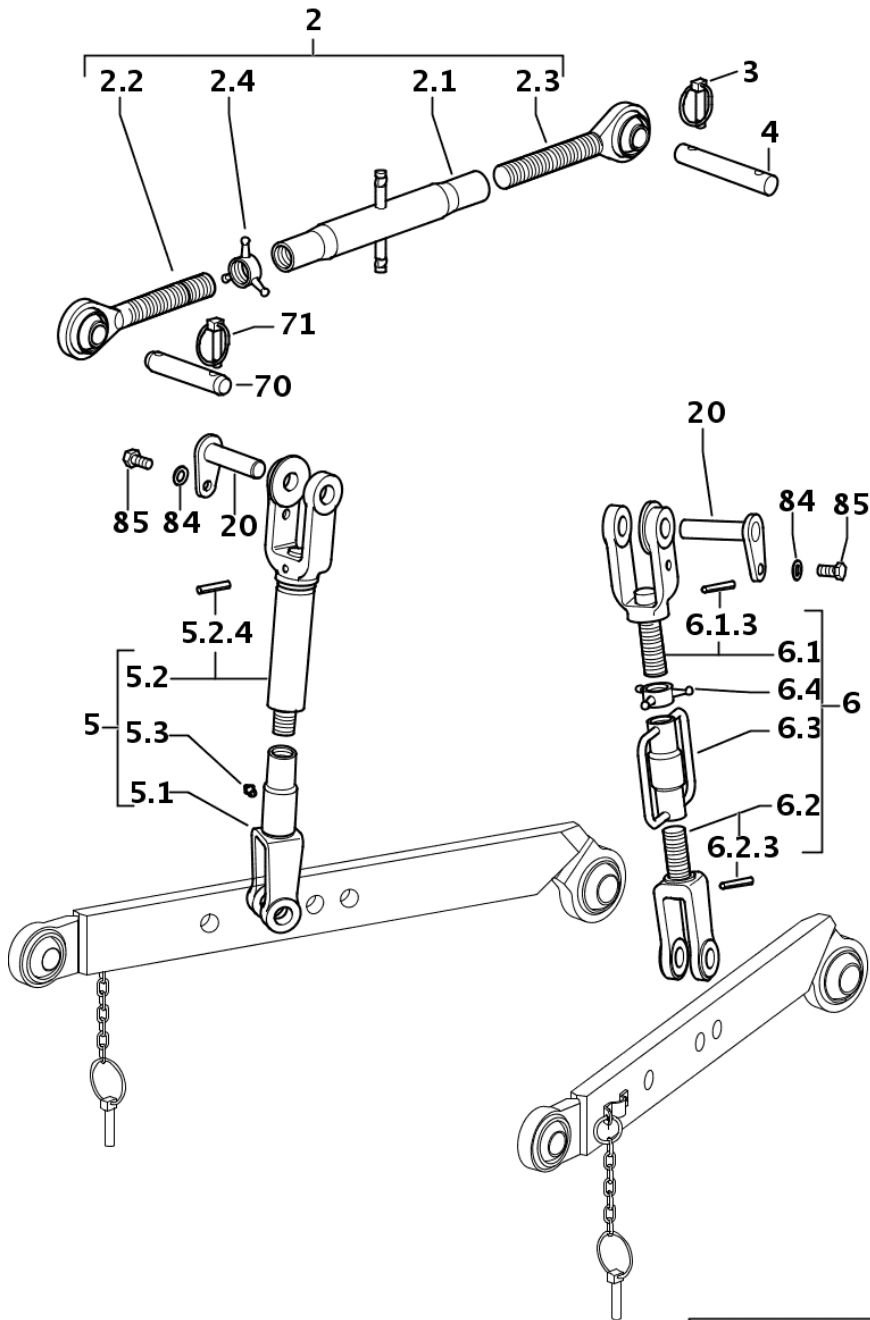
- Please note: If there is no response to CLICKING the link, please download this PDF first and then click on it.

CLICK HERE TO **DOWNLOAD** THE COMPLETE MANUAL

Section: ACCESSORIES

REINFORCED 3-POINT LINKAGE

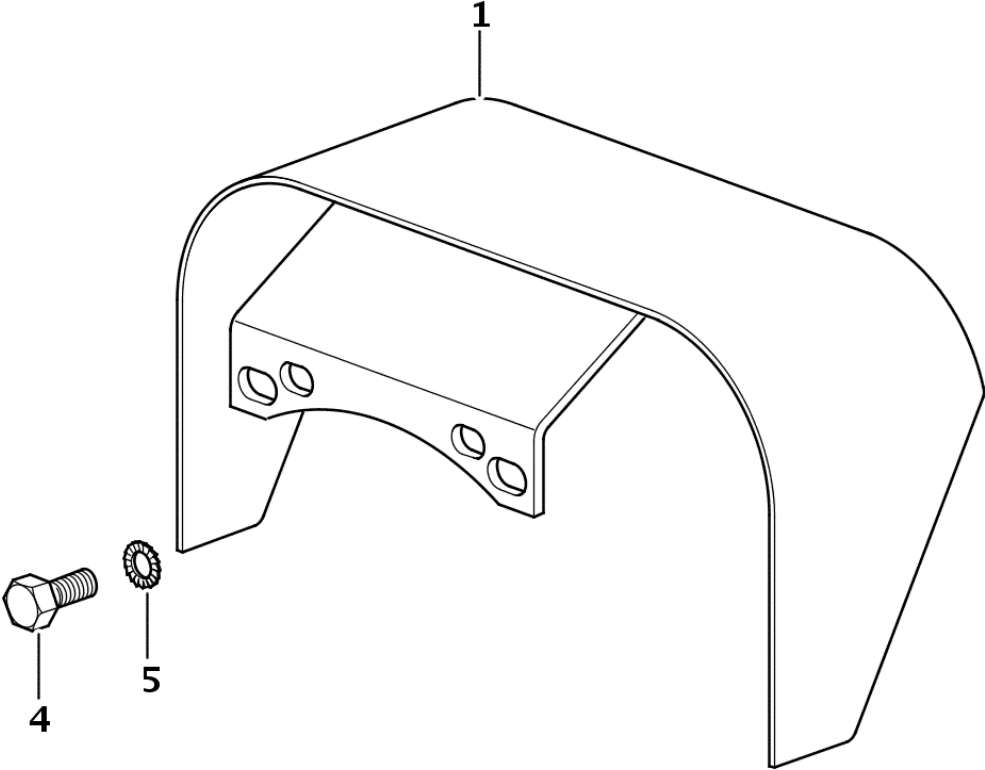
Fig.	Code	QTY	Name
2	0.760.5413.4/20	1	top link
2.1	0.96003.13.3	1	sleeve
2.2	0.96057.14.3/10	1	rod dx/rh/re
2.3	0.96057.15.3	1	rod sx/lh/li
2.4	0.001.5059.0	1	nut
3	0.010.9322.4	2	pin Ø 11
4	0.760.0451.0	1	pin
5	0.013.4433.4	1	rod
5.1	0.760.5436.3/20	1	rod sx/lh/li
5.2	0.013.4433.3	1	rod
5.2.4	2.1630.717.2	1	roll pin 8 x 50
5.3	2.3820.105.2	1	lubricator m 10 p.1 x 7
6	0.013.4434.4	1	adjustable tensioner
6.1	0.013.4434.3	1	rod
6.1.3	2.1630.717.2	1	roll pin 8 x 50
6.2	0.760.5452.3/20	1	rod sx/lh/li
6.2.3	2.1630.717.2	1	roll pin 8 x 50
6.3	0.760.5453.2/10	1	sleeve
6.4	0.007.6990.0	1	wing nut
20	0.008.8469.2	2	pin
70	2.1669.024.2	1	pin 25.4 x 133
71	0.010.9322.4	2	pin Ø 11
84	2.1475.204.2	2	washer 12
85	2.0112.409.2	2	screw m 12 p.1.75 x 25



9_18758_00_0_B

P.T.O. GUARD

Fig.	Code	QTY	Name
1	0.007.9484.3/10	1	guard
4	2.0112.307.2	2	screw m 10 p.1.5 x 20
5	2.1470.006.2	2	lock washer 10



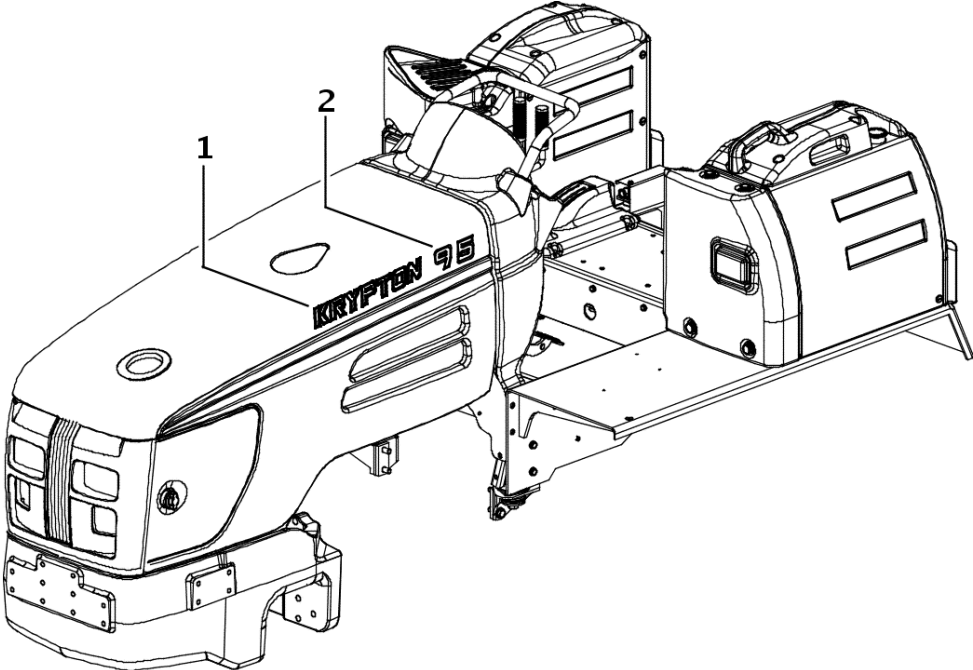
9_48336_20_0_0

Section: BODY WORK
PRODUCT PLATE

Fig.	Code	QTY	Name
------	------	-----	------

Notes:
1019 <- X KRYPTON 95

1	0.013.2929.0	2	plate KRYPTON
2	0.014.2302.0	2	plate 95



9_F9672_02_0_B

Section: BODY WORK
HOOD - SUPPORTS

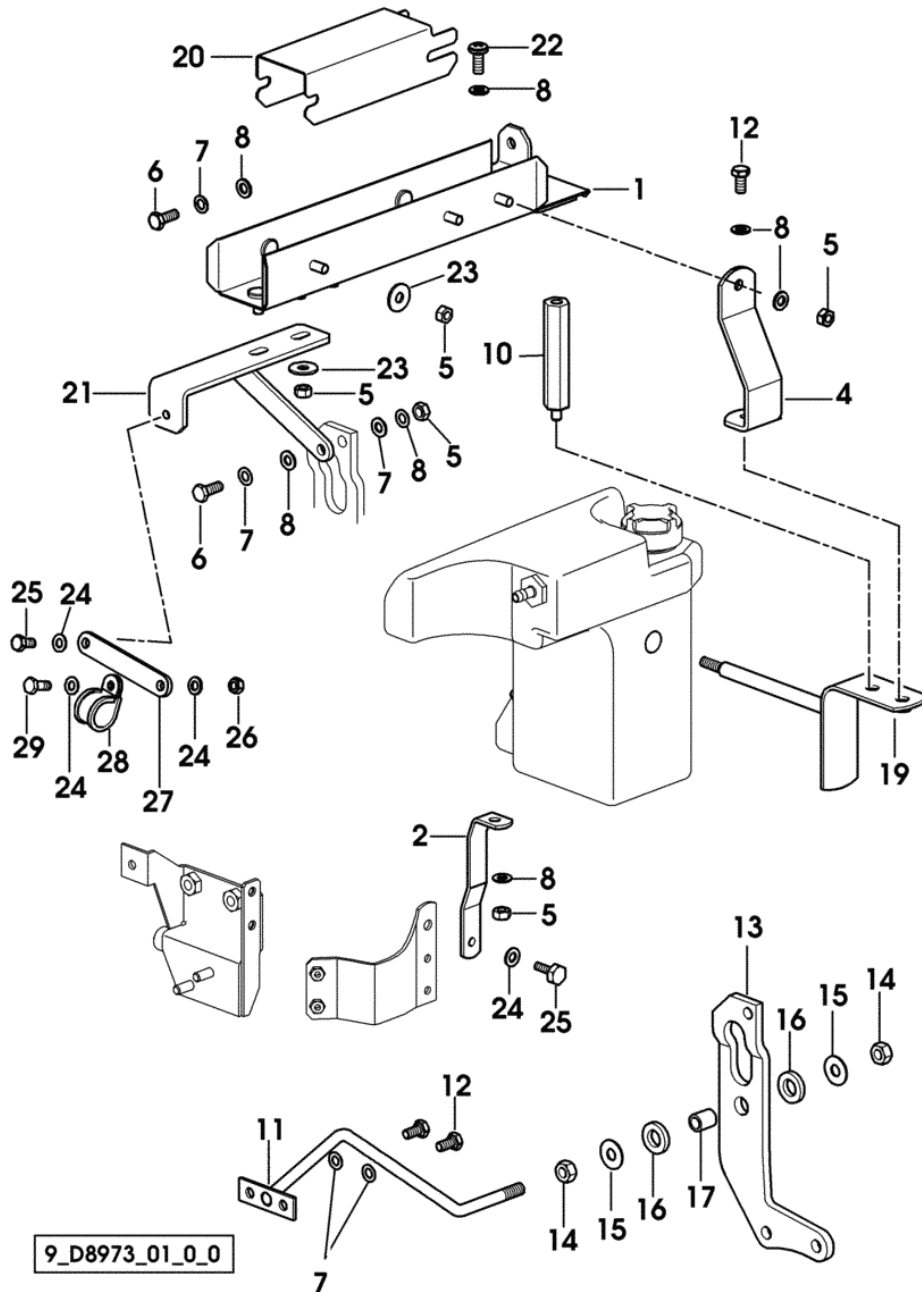


Fig.	Code	QTY	Name
1	0.013.8862.3/10	1	channel
2	0.013.7257.0	1	bracket
4	0.013.7256.0	1	bracket
5	2.1011.105.2	9	nut m 8 p.1.25
6	2.0112.209.2	2	screw m 8 p 1.25 x 25
7	2.1470.004.2	5	washer 8
8	2.1310.004.2	7	flat washer 8.5
10	0.013.7255.0	1	small column
11	0.012.6644.2	1	rod
12	2.0112.205.2	3	screw m 8 p.1.25 x 16
13	0.008.9356.0/10	1	bracket
14	2.1011.106.2	2	nut m 10 p.1.5
15	2.1599.044.2	2	snoulder 10.5x25.5x1.5
16	0.136.7387.0	2	rubber plug 15x27x5
17	2.1579.090.2	1	spacer 10.1x15x18
19	0.013.8462.2	1	support
20	0.013.8864.0	1	cover
21	0.013.8863.2	1	support
22	2.0332.506.2	1	screw m 8 x 16
23	2.1312.004.2	6	washer 8.4
24	2.1310.004.2	4	flat washer 8.5
25	2.0112.205.2	2	screw m 8 p.1.25 x 16
26	2.1011.105.2	1	nut m 8 p.1.25
27	0.012.8825.0	1	bracket
28	2.6839.054.0	1	clamp Ø 20/25
29	2.0112.207.2	1	screw m 8 p 1.25 x 20

9_D8973_01_0_0

Section: BODY WORK
PEDALS ASSEMBLY AND STEERING LEVERS

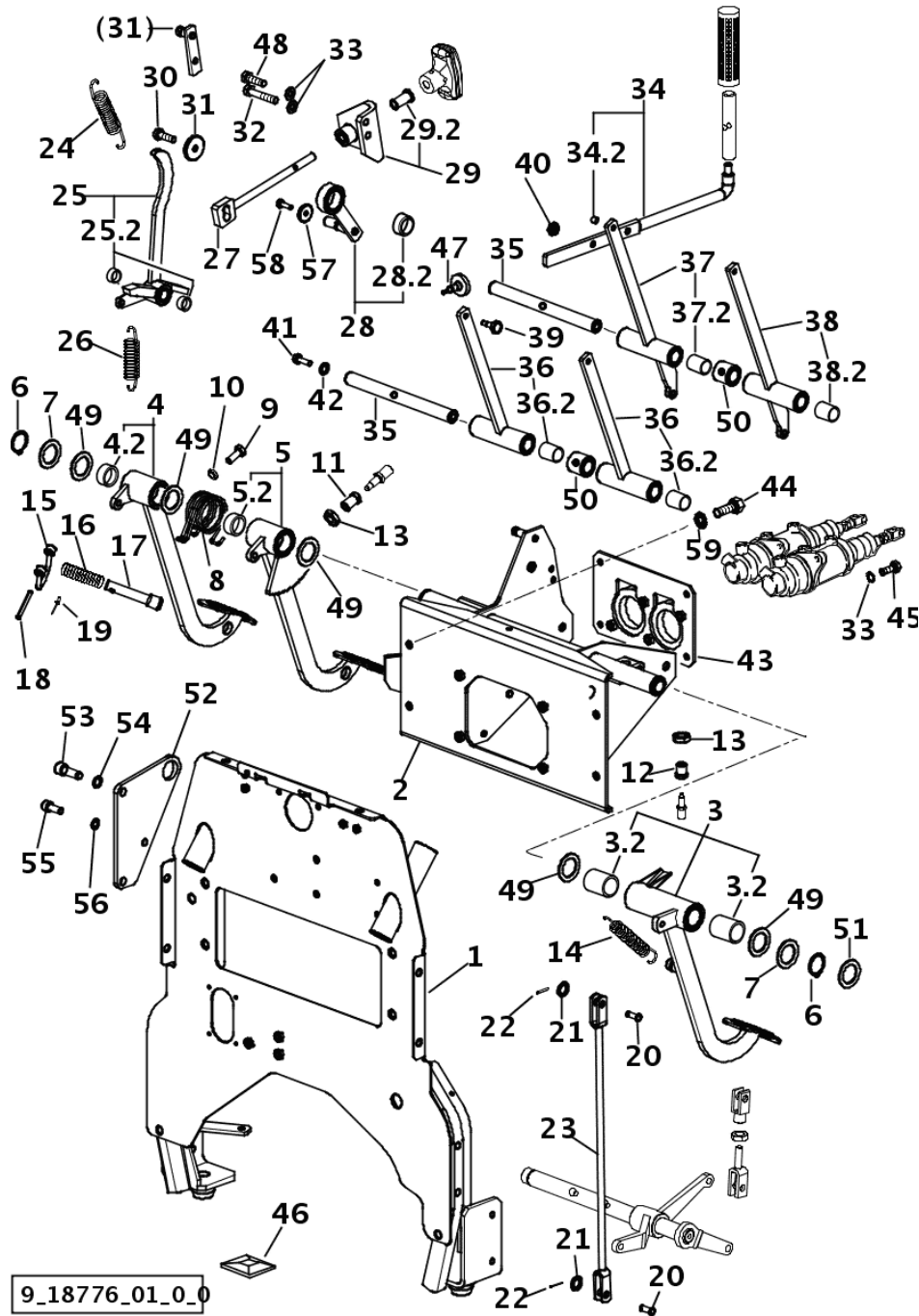
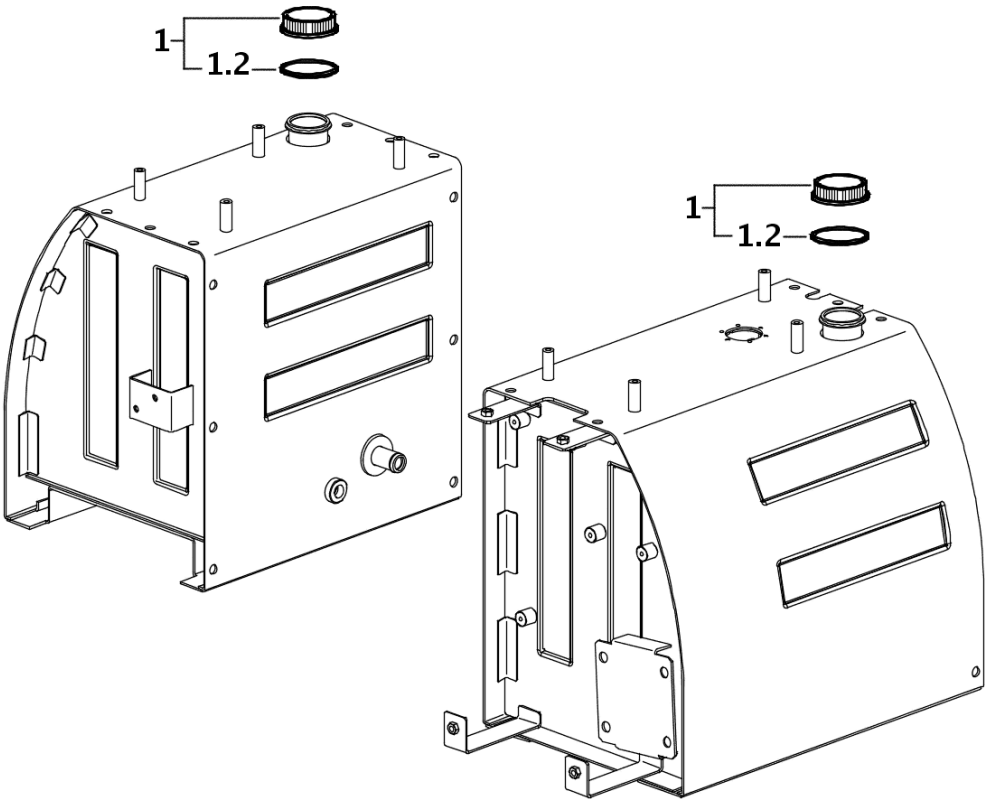


Fig.	Code	QTY	Name
37	0.012.5695.3/10	1	lever dx/rh/re
37.2	2.1555.311.0	2	bushing 20x23x20
38	0.012.5694.3/10	1	lever sx/lh/li
38.2	2.1555.311.0	2	bushing 20x23x20
39	2.0119.250.2/10	4	screw
40	2.1120.105.2	4	selflock nut m 8 p.1.25
41	2.0112.415.2	4	screw m 12 p.1.75 x 40
42	2.1310.007.2	4	flat washer 13.5
43	0.012.5578.3	1	plate
44	2.0112.413.2	4	screw m 12 p.1.75x35
45	2.0112.211.2	4	screw m 8 p.1.25 x 30
46	0.012.6105.0	3	stop
47	0.292.6157.0	2	rubber plug
48	2.0112.211.2	1	screw m 8 p.1.25 x 30
49	2.1599.268.0	5	snoulder 30.2x45x2
50	0.013.0481.0	2	spacer
51	2.1599.867.2	3	washer 30.5x50x1
52	0.013.0768.0/10	1	bracket
53	2.0312.412.2	2	screw m 12 p.1.75x35
54	2.1480.016.2	2	washer 12
55	2.0312.308.2	1	screw m 10 p.1.5 x 25
56	2.1480.015.2	1	washer 10
57	2.1599.545.2	1	washer 6.5x28x2
58	2.0112.002.2	1	screw m 6 p.1 x 10
59	2.1470.007.2	4	lock washer 12

9_18776_01_0_0

PLUG

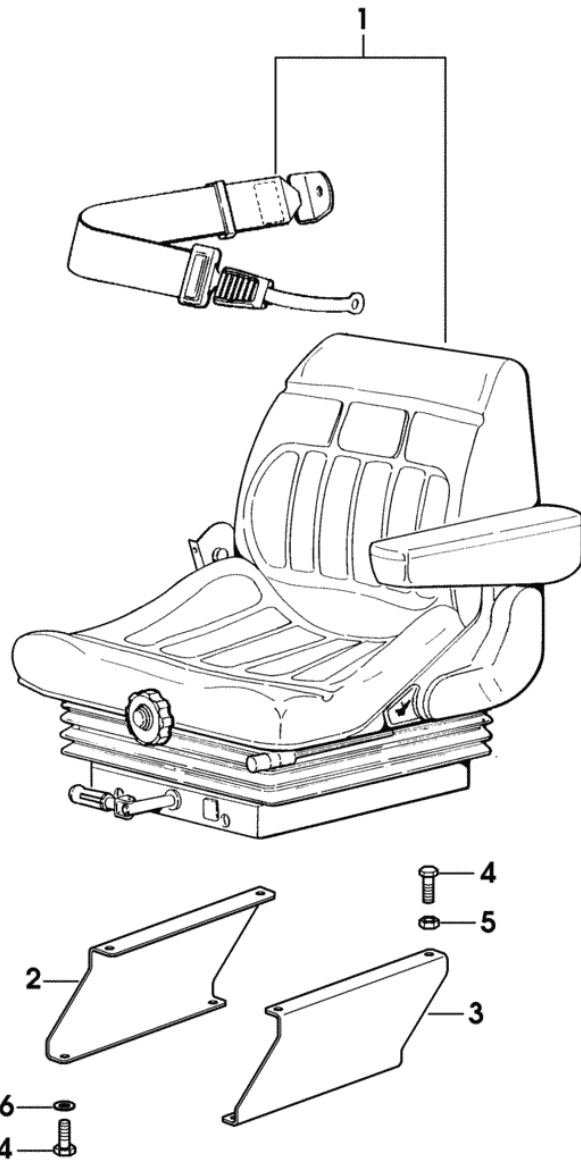
Fig.	Code	QTY	Name
1	0.177.8116.3/30	2	plug
1.2	2.1569.157.0	1	gasket 37.8x59.8x3



9_18781_05_0_0

SEAT WITH MECHANICAL SPRINGING AND SEATBELTS

Fig.	Code	QTY	Name
1	0.012.5808.4/10	1	seat KAB 211 COMPONENT PARTS SEE COMPONENTS LIST ☞ 0.012.5808.4/10 ☞ 07.00.18
2	0.012.5816.0	1	spacer dx/rh/re
3	0.012.5817.0	1	spacer sx/lh/li
4	2.0119.164.3	8	screw m 8 p.1.25 x 20
5	2.1011.105.2	8	nut m 8 p.1.25
6	2.1499.096.3	8	washer 8



9_18775_03_0_0

MECHANIC HEY-HOUR RECORDER TACHOMETER

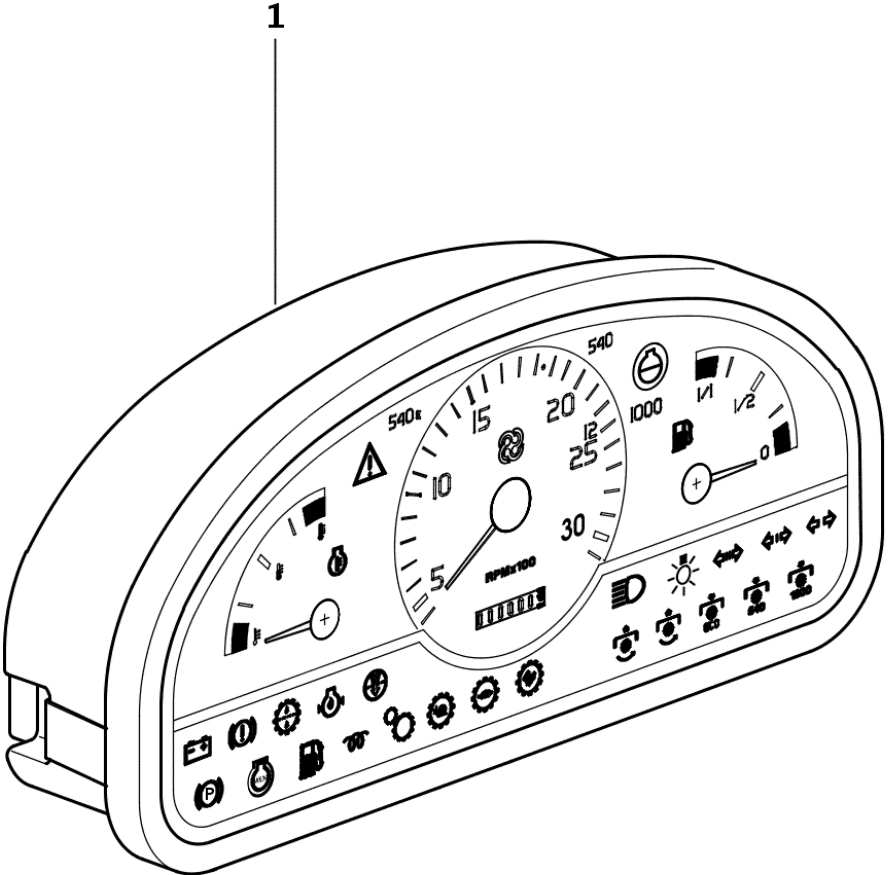


Fig.	Code	QTY	Name
1	2.8339.227.0/10	1	warning light COMPONENT PARTS SEE COMPONENTS LIST ☞ 2.8339.227.0/10 ☞ 08.00.28

9_18984_20_0_

Section: ELECTRIC AL SYSTEM
BATTERY 12V 120Ah 520A

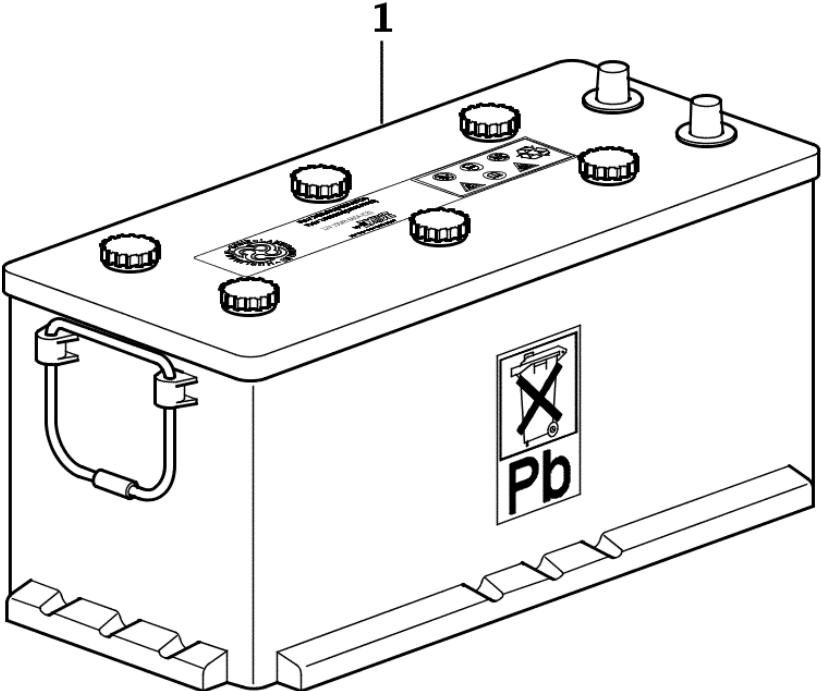


Fig.	Code	QTY	Name
1	2.9559.056.0	1	battery 120Ah - 520A

9_18784_10_0_0

Section: ENGINE
MONOBLOC ENGINE-GEARBOX CONNECTING FLANGE

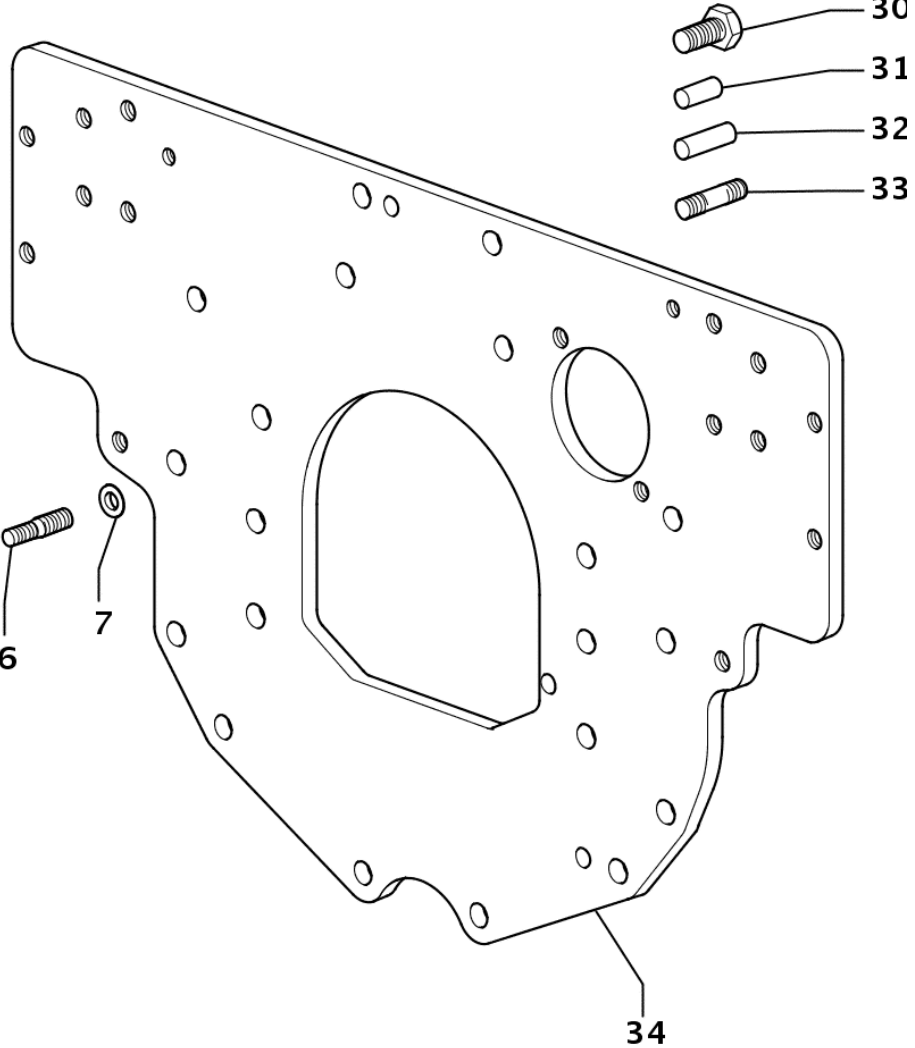


Fig.	Code	QTY	Name
6	2.0439.250.7	1	stud bolt m 12 / m 10 x 30
7	0.011.9294.0/10	1	sleeve
30	2.0112.511.2	8	screw m 14 p.2 x 30
31	2.1651.912.0	2	cylindrical plug 12x28
32	2.1651.917.0	1	cylindrical plug 12x40
33	2.0432.257.7	1	stud bolt m 12 p.1.75 - 1.25 x 30
34	0.013.3120.0	1	flange

9_32311_06_0_0

CLICK HERE TO **DOWNLOAD** THE COMPLETE MANUAL

- Thank you very much for reading the preview of the manual.
- You can download the complete manual from: www.heydownloads.com by clicking the link below



- Please note: If there is no response to CLICKING the link, please download this PDF first and then click on it.

CLICK HERE TO **DOWNLOAD** THE COMPLETE MANUAL

Section: ENGINE
FUEL SUPPLY SYSTEM

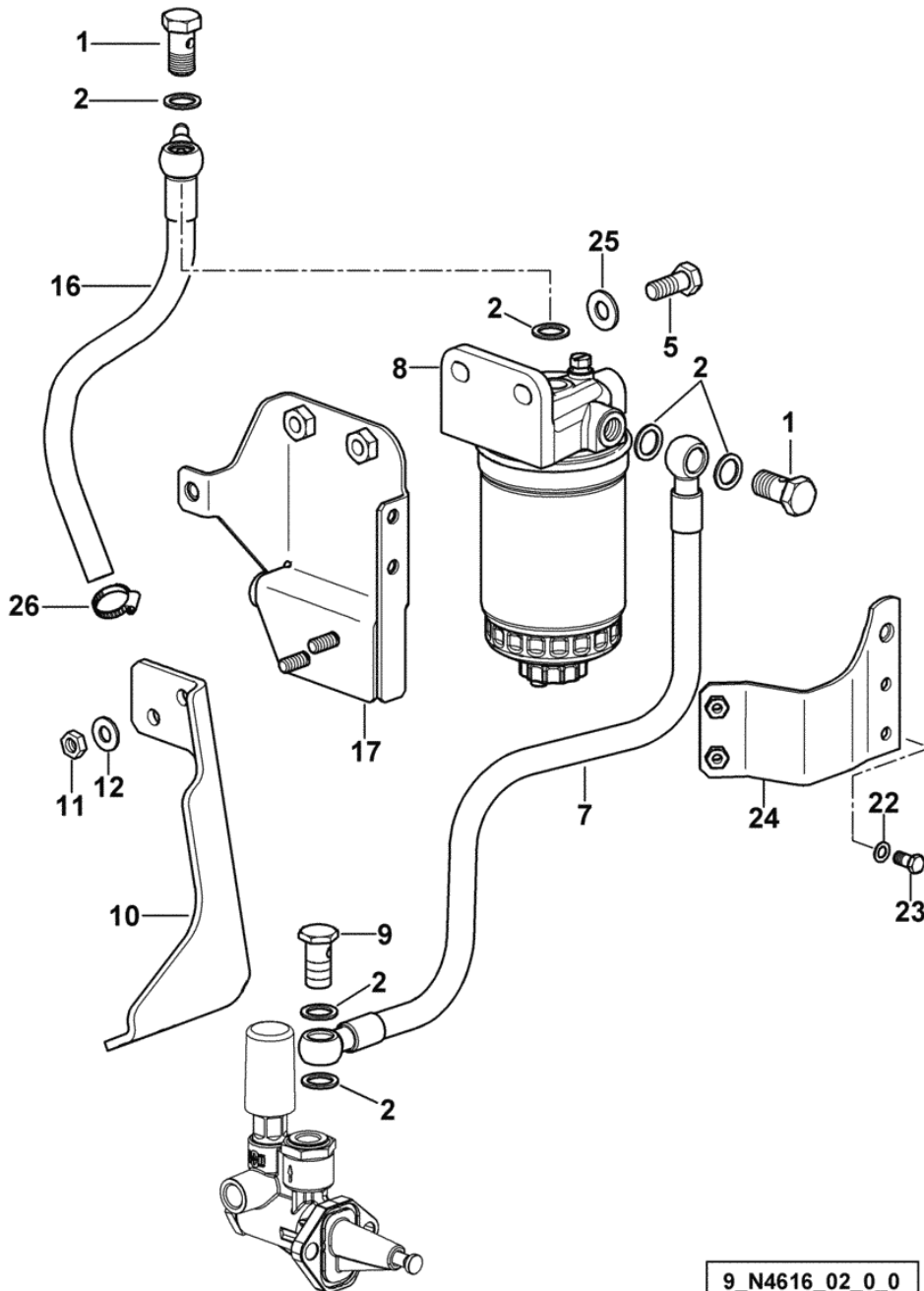


Fig.	Code	QTY	Name
1	2.3332.004.1	2	pipe union m 14 p.1.5 x 27
2	2.1560.010.0	6	gasket 14.2 x 20 x 1.5
5	2.0112.309.2	2	screw m 10 p.1.5 x 25
7	0.010.9530.3	1	tube
8	2.4319.230.0	1	fuel filter
			COMPONENT PARTS SEE COMPONENTS LIST
			☞ 2.4319.230.0
			☞ 01.00.2
9	2.3339.357.2/10	1	pipe union m 14 p.1.5x28
10	0.013.6397.0	1	support
11	2.1011.105.2	2	nut m 8 p.1.25
12	2.1310.004.2	2	flat washer 8.5
16	0.013.2822.3	1	tube
17	0.013.7259.3/20	1	support
22	2.1310.002.2	2	washer 6.6, d125
23	2.0112.005.2	2	screw m 6 p.1 x 16
24	0.013.7260.3/10	1	bracket
25	2.1310.006.2	2	flat washer 10.5
26	2.6851.001.0	1	clamp Ø 16/25

9_N4616_02_0_0

COOLANT PUMP DRIVEBELT mm 1300

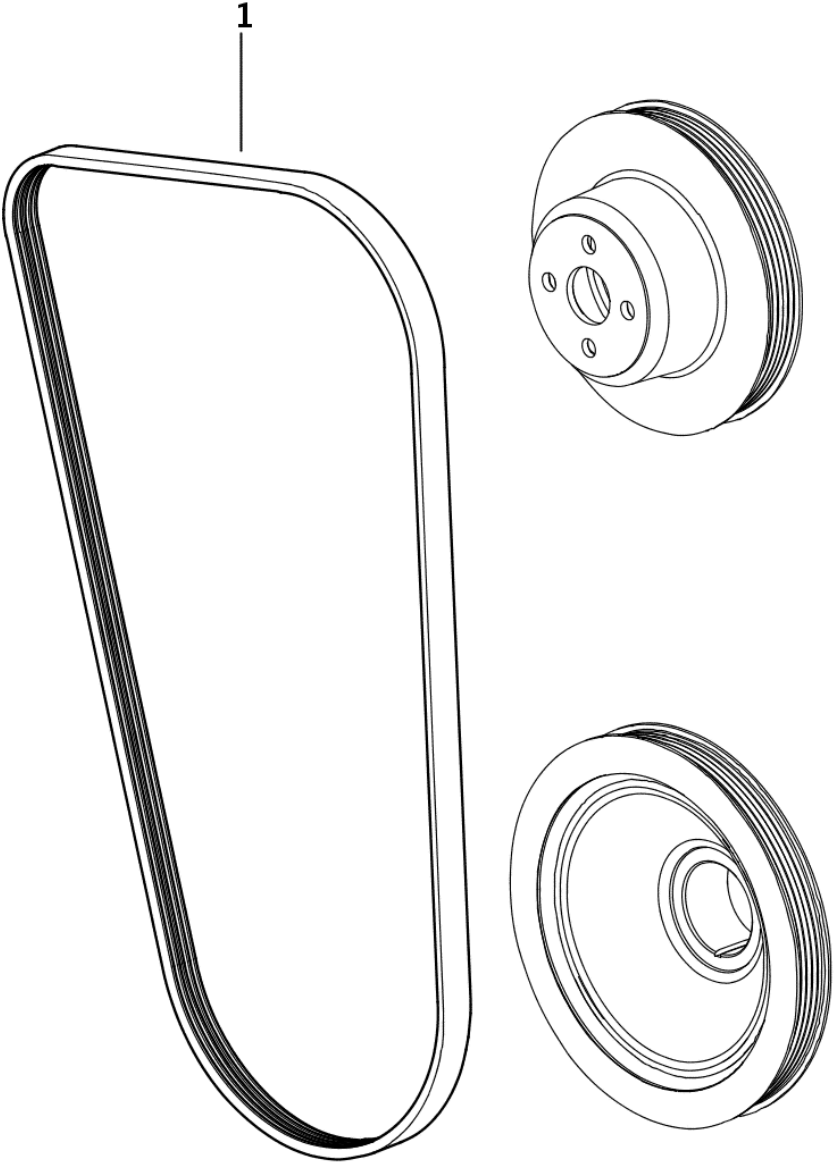
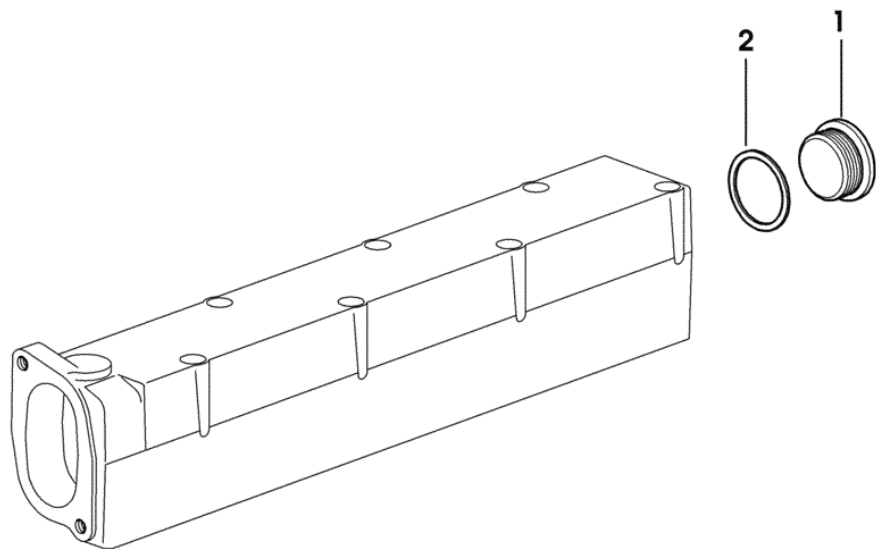


Fig.	Code	QTY	Name
1	2.4119.184.0	1	belt PV-K 17.4x1300 mm

9_N4617_09_0_0

INLET MANIFOLD PLUG

Fig.	Code	QTY	Name
1	2.3120.106.0	1	plug m 40 p.1.5
2	2.1560.028.0	1	gasket 40.3 x 47



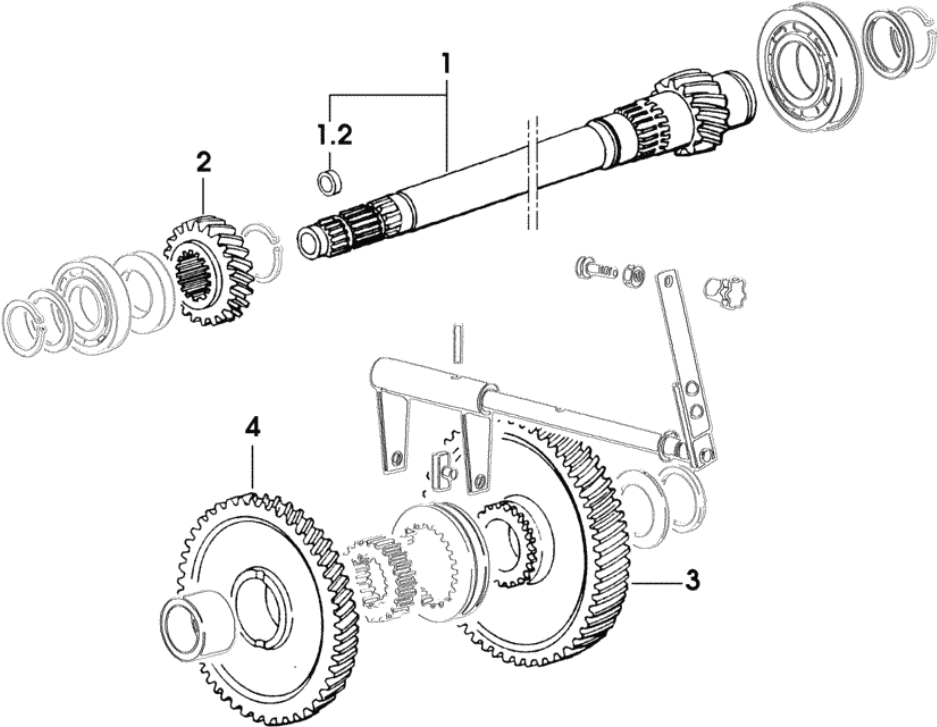
9_33418_08_0_0

Section: FRONT AND REAR P.T.O.
P.T.O. - WITH N' 540 - 1000

Fig.	Code	QTY	Name
------	------	-----	------

Notes:
 1005 <- X KRYPTON 95 1016 <- X KRYPTON 105

1	0.012.4508.3/10	1	shaft
1.2	2.1559.023.0/10	1	bushing 15.8x19x20
2	0.270.3651.0	1	gear Z = 20
3	0.012.4511.0	1	gear z = 57
4	0.270.3655.0/10	1	gear Z = 49



9_18836_01_0_0

Section: FRONT AXEL
FRONT SUSPENSION

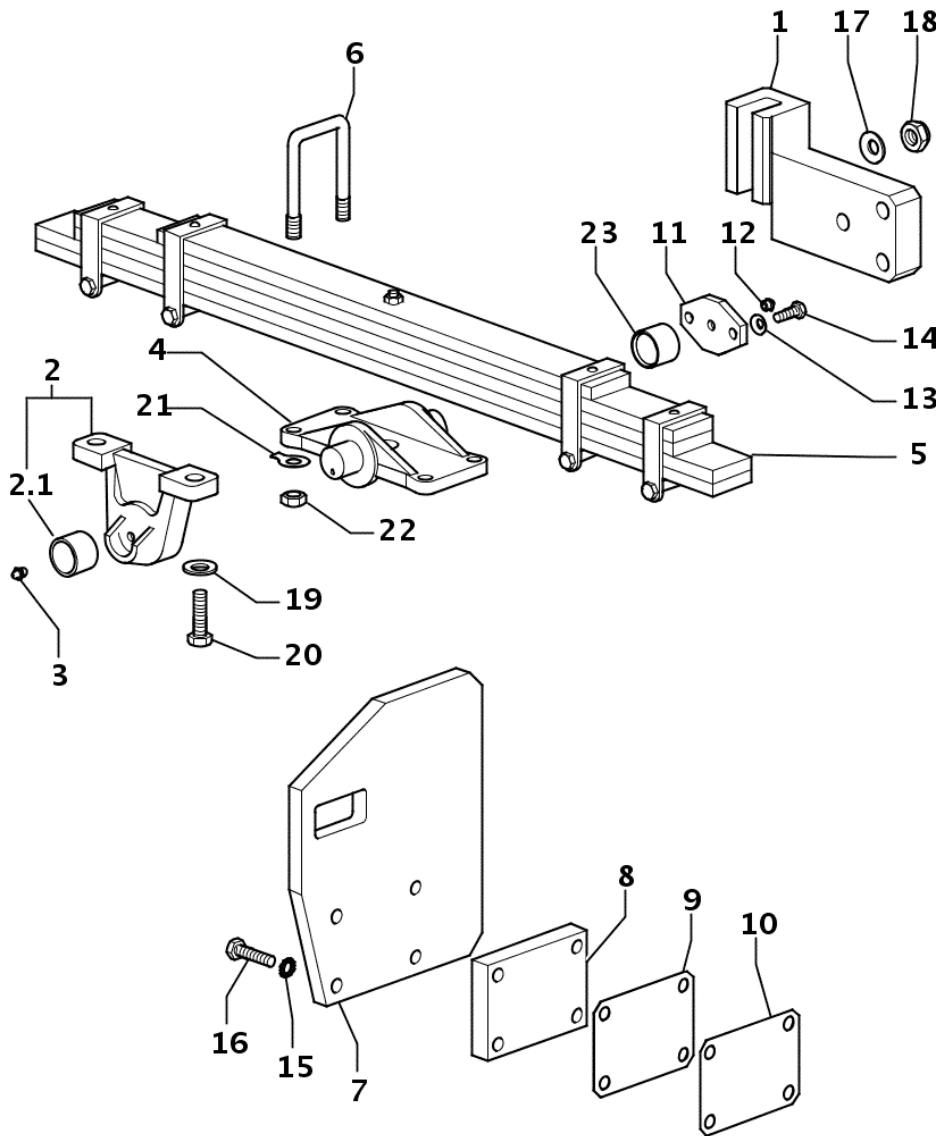
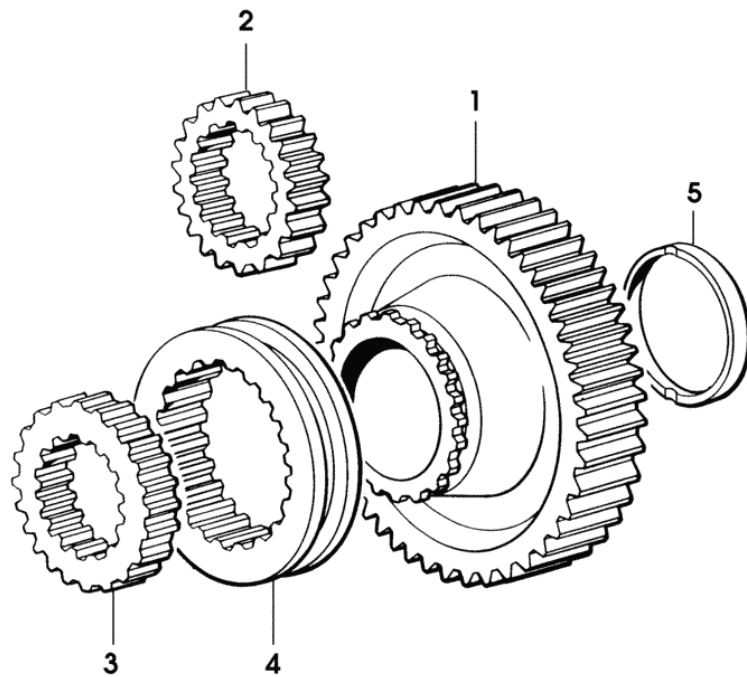


Fig.	Code	QTY	Name
1	0.012.5983.0/10	2	crosspiece
2	0.292.5127.3	1	support
2.1	0.191.5154.0	1	bushing 35x42x30
3	2.3821.103.2	1	lubricator m 10 p.1
4	0.191.5123.0	1	bracket
5	0.294.5120.4/30	1	leaf spring mm 1030
6	0.294.5122.0/10	2	u bolt
7	0.012.1957.0/10	2	plate
8	0.012.5962.0	2	spacer mm 25
9	0.012.2057.0	4	shim mm 1.5
10	0.012.2058.0	4	shim mm 0.50
11	0.012.2027.0	1	plate
12	2.3820.105.2	1	lubricator m 10 p.1 x 7
13	2.1475.003.2	2	washer 10
14	2.0112.311.2	2	screw m 10 p.1.5 x 30
15	2.1470.008.2	8	lock washer 14
16	2.0112.523.2	8	screw m 14 p.2x70
17	2.1475.205.7	8	washer 15x35
18	2.1120.210.2	6	selflock nut m 18 p.1.5
19	2.1499.018.2	2	spring washer 18.3x35.5x3.8
20	2.0112.724.2	2	screw m 18 p.2.5 x 75
21	2.1330.009.0	4	lock-tab 15
22	2.1011.408.2	4	nut m 14 p.1.5
23	2.1549.521.0	1	spacer

9_18751_00_0_0

Section: GEAR
REDUCTION GEAR UNIT

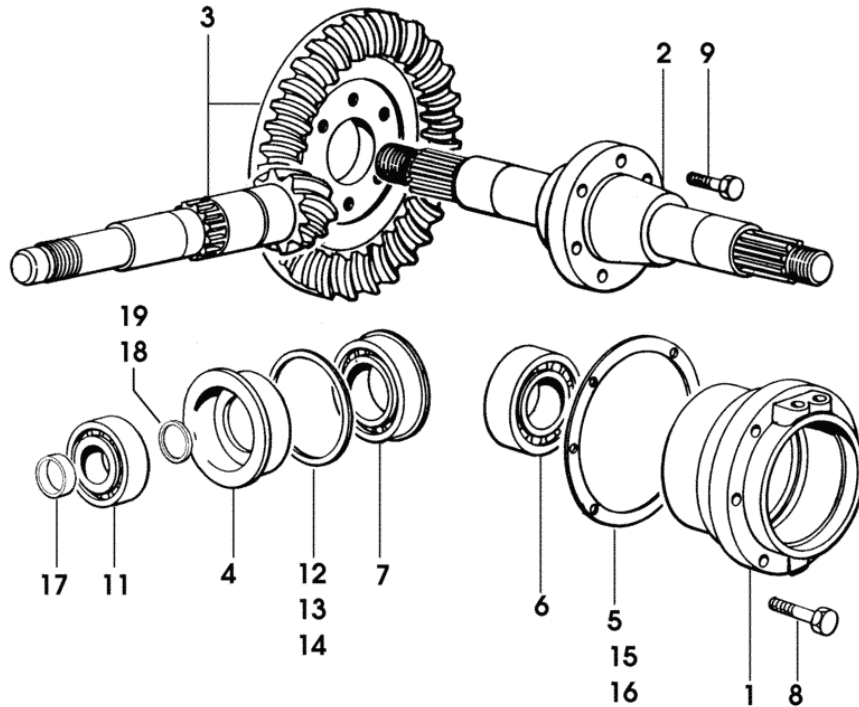
Fig.	Code	QTY	Name
1	0.292.3421.0	1	gear z=42
2	0.292.3420.0	1	gear Z = 20
3	0.292.3450.0	1	sleeve
4	0.292.3451.0	1	sleeve
5	2.1549.130.0	1	spacer



9_48334_00_0_0

DIFFERENTIAL BEVEL GEAR PAIR

Fig.	Code	QTY	Name
1	0.292.3512.0/50	2	support
2	0.292.3515.0/10	1	shaft \varnothing 44.5 / Z = 16
3	0.012.2102.3/10	1	bevel gear
4	0.007.9324.0	1	ring
5	0.292.3551.0/20	4	shim mm 0,3
6	2.2520.012.0	2	roller bearing 55 x 100 x 22.75
7	2.2999.183.0	1	bearing 50 x 105 x 32
8	2.0112.413.2	12	screw m 12 p.1.75x35
9	2.0139.024.2	12	screw m 14 p.1.5x40
11	2.2560.006.0	1	roller bearing 40 x 90 x 25.25
12	2.1589.168.0	2	snoulder 105 x 112 x 0.1
13	2.1589.169.0	2	snoulder 105 x 112 x 0.5
14	2.1589.167.0	2	snoulder 105 x 112 x 0.15
15	0.292.3552.0/20	4	shim mm 0,5
16	0.292.3553.0/20	4	shim mm 0,7
17	2.1559.228.0	1	bushing 35 x 40 x 20.5
18	2.1599.846.0	1	shim 35.5 x 48 x 4
19	2.1599.845.0	1	shim 35.5 x 48 x 3.975



9_18835_00_0_0

KRYPTON 95

S.A.C.

GENERAL

S.A.C. CASE.....	0D.00.1
S.A.C. CASE.....	0D.00.2
LIFTING.....	0D.00.3
REGULATING DISTRIBUTOR.....	0D.00.4
INTERNAL CONTROLS.....	0D.00.5
INTERNAL AND EXTERNAL CONTROLS.....	0D.00.6
CONTROL KNOBS FOR EXTERNAL POWER LIFT CONTROLS.....	0D.00.7
SENSITIVE ELEMENTS.....	0D.00.8

STEERING CLUTCH

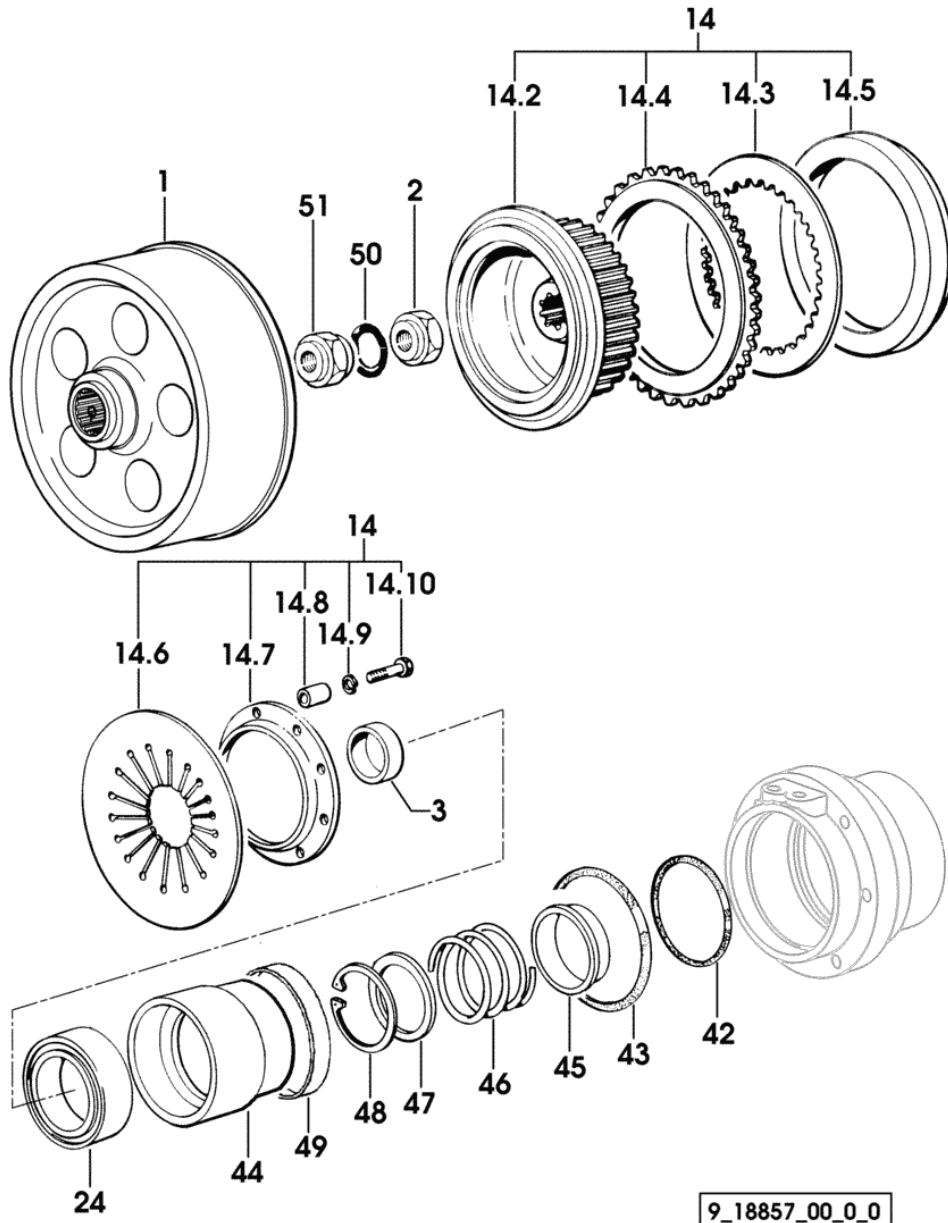


Fig.	Code	QTY	Name
1	0.011.7591.0/10	2	drum
2	2.1099.040.2/10	2	special nut m 34
3	2.1579.797.0	2	spacer 45x58x24.5
14	0.294.5711.4/20	2	steering clutch comp
14.2	0.292.5711.0	1	drum Ø 256, Z = 16/62
14.3	0.292.5715.0	10	disc
14.4	0.292.5714.0/10	10	friction ring
14.5	0.294.5713.0/10	1	pressure plate
14.6	0.292.5750.0/10	1	spring
14.7	0.292.5751.0/10	1	ring
14.8	0.292.5760.0	9	spacer
14.9	2.1470.002.2	9	washer 6, d128
14.10	2.0112.011.2	9	screw m 6 p.1x30
24	2.2999.201.0	2	bearing
42	2.1539.059.0	2	'o' ring 88.5x3.53
43	2.1539.058.0	2	'o' ring 107.5x3.53
44	0.292.6160.0/40	2	piston
45	0.292.6161.0	2	ring
46	2.4019.340.1	2	spring
47	2.1580.207.0	2	shim 66x79x0.5
48	2.1411.032.1	2	circlip 80 x 2.5
49	2.1539.203.0	2	'o' ring
50	2.1530.097.0	2	'o' ring 37.47x5.34
51	2.1219.063.7	2	ring nut

9_18857_00_0_0

KRYPTON 95

TRACK

GENERAL

TRACK FRAME BODY.....	0A.00.1
TRACK FRAME BODY.....	0A.00.2
UNDERCARRIAGE STEEL COVER PANEL.....	0A.00.3
CAST-IRON TRACK FRAME COVER.....	0A.00.4
CROSS BAR.....	0A.00.5
DRIVING SPROCKET mm 1100-1350.....	0A.00.6
TRACK HOLDER ROLLER.....	0A.00.7
TRACK HOLDER ROLLER.....	0A.00.8
IDLER WHEEL.....	0A.00.9
IDLER.....	0A.00.10
TRACK mm 450.....	0A.00.11
SELF-LUBRICATING TRACK AND LINKS mm 450.....	0A.00.12

CLICK HERE TO **DOWNLOAD** THE COMPLETE MANUAL

- Thank you very much for reading the preview of the manual.
- You can download the complete manual from: www.heydownloads.com by clicking the link below



- Please note: If there is no response to CLICKING the link, please download this PDF first and then click on it.

CLICK HERE TO **DOWNLOAD** THE COMPLETE MANUAL