

JAGUAR 95 EXPORT

ACCESSORIES

GENERAL

AUXILIARY HYDRAULIC SYSTEM - EXPORT D.....	0E.00.1
AUXILIARY HYDRAULIC SYSTEM.....	0E.00.2
AUXILIARY HYDRAULIC SYSTEM - EXPORT U.S.A.....	0E.00.3
DRIVE HYDRAULIC PUMP 81905.....	0E.00.4
HYDRAULIC CONTROL VALVE COMPONENTS.....	0E.00.5
HYDRAULIC PUMP COMPONENTS.....	0E.00.6
HYDRAULIC PUMP COMPONENTS.....	0E.00.7
HYDRAULIC PUMP COMPONENTS.....	0E.00.8
HYDRAULIC CYLINDERS 1518 <-.....	0E.00.9
HYDRAULIC CYLINDERS -> 1519.....	0E.00.10
3 POINT HITCH.....	0E.00.11
3 POINT HITCH.....	0E.00.12
3 POINT HITCH.....	0E.00.13
FRONT TOWING HITCH.....	0E.00.14
FRONT PERMANENT TOWING HITCH.....	0E.00.15
REAR SWINGING TOWING-HITCH S.A.E.....	0E.00.16
SWINGING BAR 96721.....	0E.00.17
FRONT BALLAST 96929-96930.....	0E.00.18
HYDRAULIC TRAILER BRAKING SYSTEM.....	0E.00.19
HYDRAULIC BREAKING FOR TRAILER.....	0E.00.20
VALVE PARTS.....	0E.00.21
VALVE PARTS 97156.....	0E.00.22
VALVE PARTS.....	0E.00.23
TOOL POUCH.....	0E.00.24

CLICK HERE TO **DOWNLOAD** THE COMPLETE MANUAL

- Thank you very much for reading the preview of the manual.
- You can download the complete manual from: www.heydownloads.com by clicking the link below

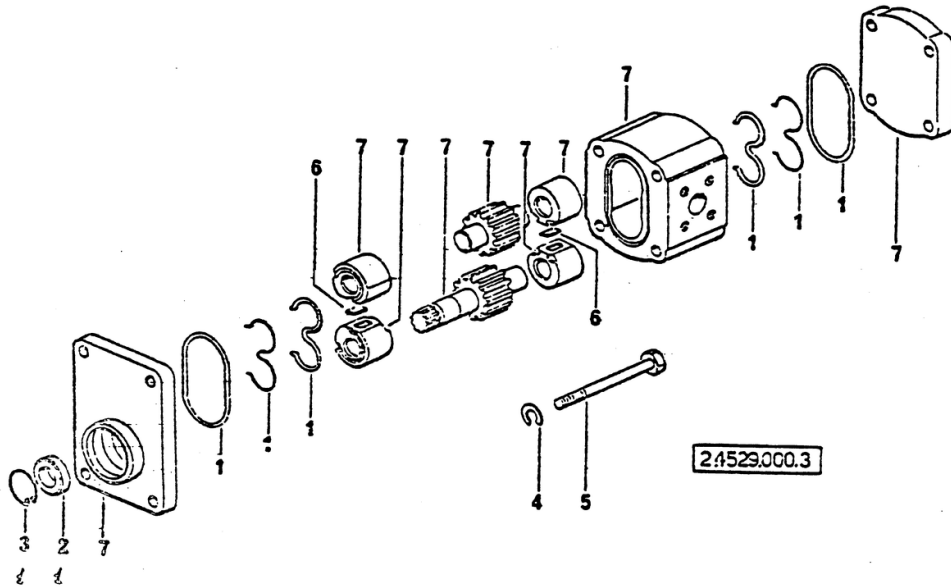


- Please note: If there is no response to CLICKING the link, please download this PDF first and then click on it.

CLICK HERE TO **DOWNLOAD** THE COMPLETE MANUAL

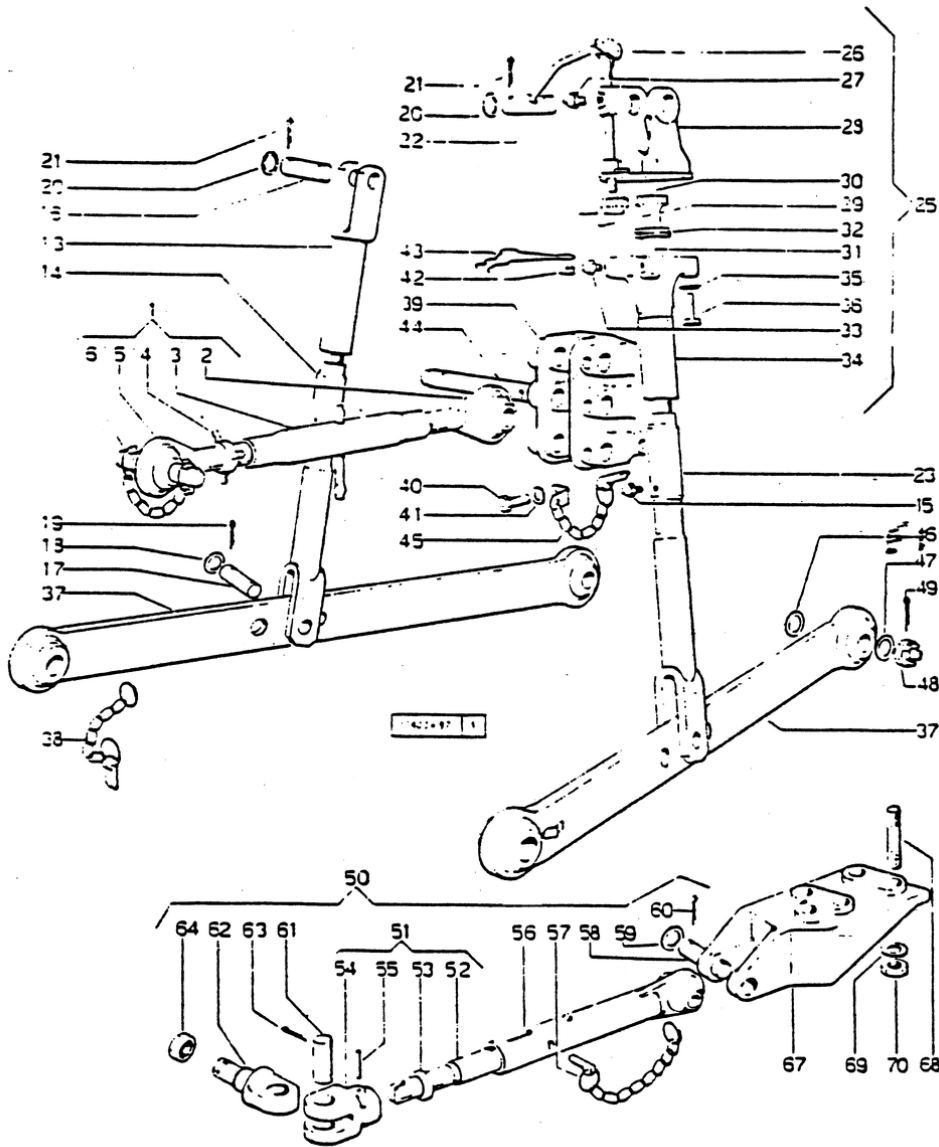
HYDRAULIC PUMP COMPONENTS

Fig.	Code	QTY	Name
0	0.003.8312.6	1	oil pump 22.5 cc sx/lh/li
1	01263326	1	gasket set
2	2.4529.330.2	1	'o' ring
3	2.1411.012.1	1	circlip 30x1.2, din 472
4	0.000.0000.1	1	not serviceable
5	0.000.0000.1	1	not serviceable
6	2.4529.400.1	2	dowel
7	0.000.0000.1	1	not serviceable
8	0.81906.50.0	1	gear



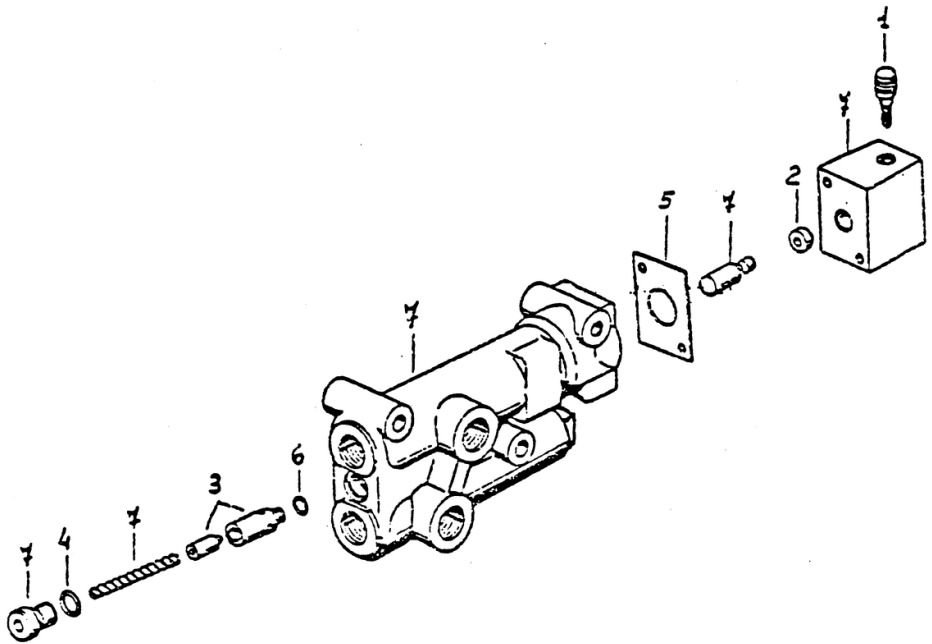
Section: ACCESSORIES
3 POINT HITCH

Fig.	Code	QTY	Name
			-> 2607
36	0.96058.50.0	1	automatic hook
			-> 2607
36	0.96093.51.4	1	tip dx/rh/re
			2606 <-
37	0.003.8299.0	1	head
38	0.003.8301.0	1	lever
39	0.003.8302.0	1	lever
40	0.003.8300.0	1	spring
41	0.96063.51.2	4	stop
			2606 <-
41	0.96093.50.4	1	cap
			-> 2607
42	2.1310.013.2	4	flat washer 21x37
43	0.96065.54.0	4	split pin
44	0.96001.64.0	2	snoulder
45	0.96001.65.0	2	snoulder
46	2.1021.209.1	2	castellated nut m 20 p.1.5
47	2.1690.414.0	2	split pin 4 x 40
48	0.96001.12.0	1	piston pin
49	2.0112.517.1	4	screw m 14 p.2 x 45
50	0.96001.70.3	1	pin
51	2.1011.409.1	8	nut m 16 p.1.5
52	2.1470.009.2	4	lock washer 16
53	0.96037.10.0	1	flange
54	0.96001.72.0	1	spring
55	2.1579.213.0	2	spacer
56	0.96043.52.0	1	spring
57	2.1579.261.0	2	spacer
58	0.96043.41.0	1	bracket sx/lh/li
58	0.96043.40.0	1	bracket dx/rh/re
59	2.1470.009.2	8	lock washer 16
60	2.0432.415.7	8	stud bolt m 16 p.2-1.5x50
61	2.1690.414.0	4	split pin 4 x 40
62	2.1669.001.0	2	pin 19x110x98
63	0.96047.42.3	2	stabiliser
64	0.96047.43.4	2	adjustable tensioner
65	0.96047.43.0	2	adjustable tensioner
66	2.1120.214.2	4	selflock nut m 27 p.2
67	2.1679.032.2	2	pin
68	0.96047.44.0	2	fork
69	2.1690.513.0	4	split pin
70	2.1630.717.0	2	roll pin 8 x 50
71	0.96001.57.4	1	pin



Section: ACCESSORIES
VALVE PARTS

Fig.	Code	QTY	Name
0	0.000.0000.1	1	not serviceable
1	04418535	1	valve
2	2.3719.071.8	1	ring
3	2.3719.071.0	1	valve
4	2.3719.071.5	1	'o' ring
5	2.3719.071.6	1	gasket
6	2.3719.071.7	1	'o' ring
7	0.000.0000.1	1	not serviceable



Section: BODY WORK
THROTTLE

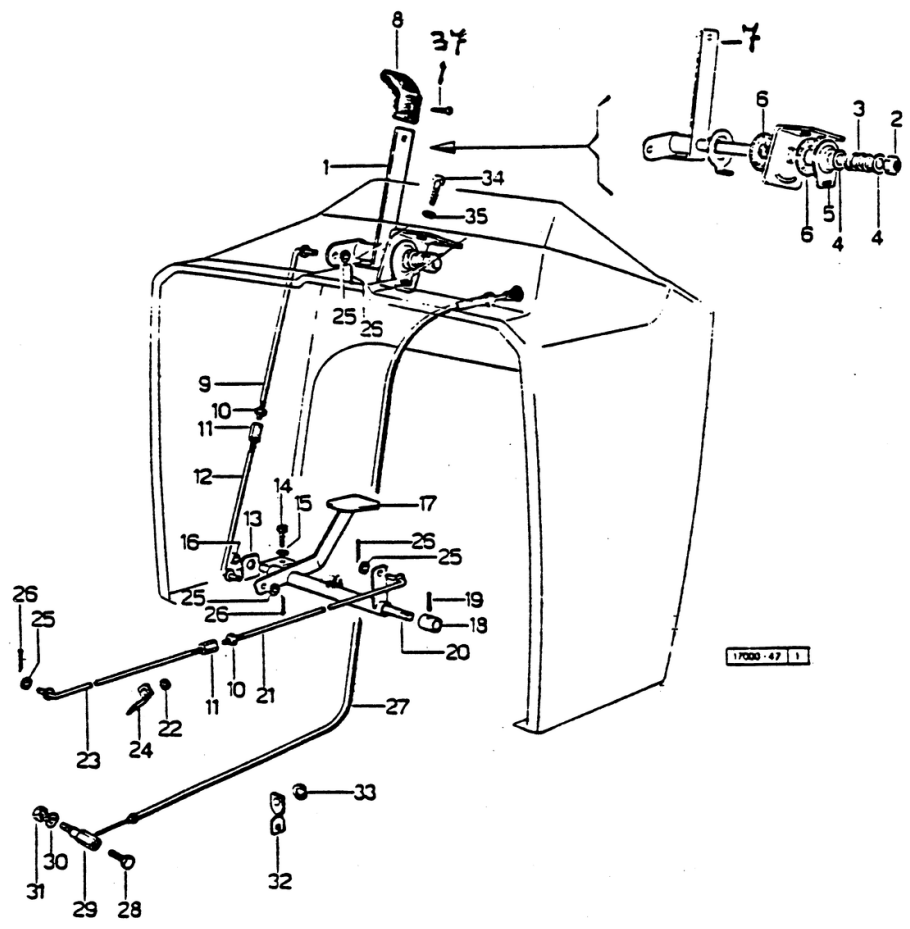
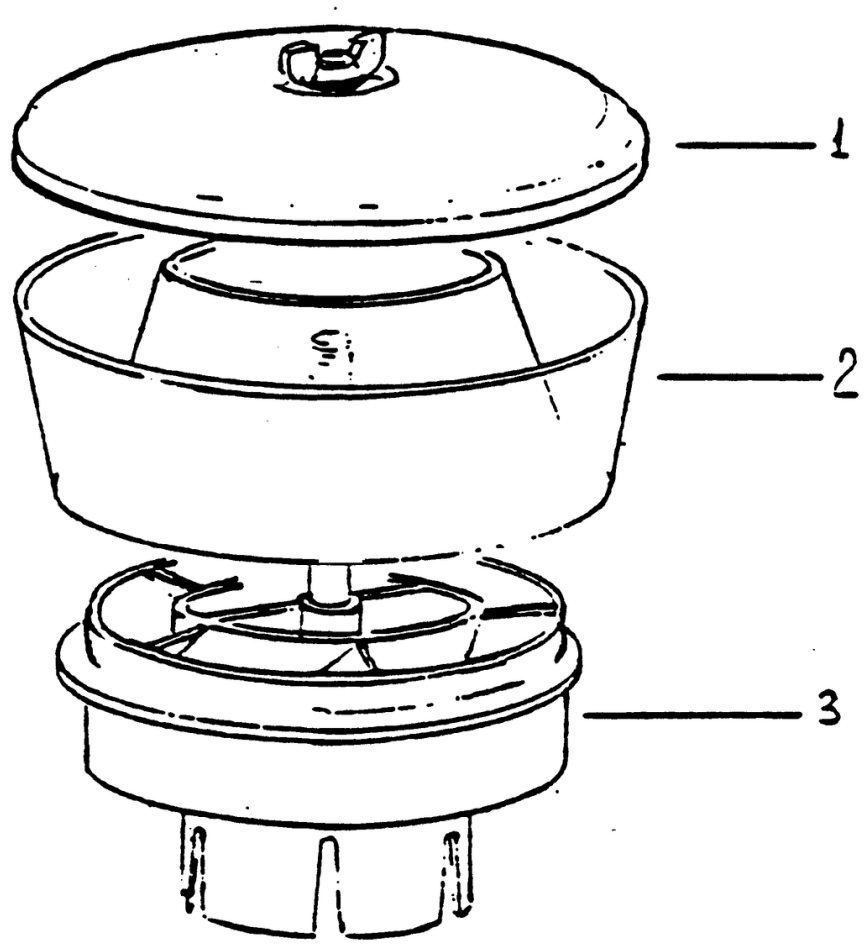


Fig.	Code	QTY	Name
1	0.169.6720.4/20	1	lever
2	2.1120.207.2	1	nut m 12 p.1.75
3	2.4019.022.2	1	spring 23x20x4.5
4	2.1310.007.2	1	flat washer 13.5
5	0.150.6756.0	1	washer
6	2.1569.058.0	2	gasket 18.5x50x3
7	0.169.6720.2/20	1	lever
8	0.98203.59.0	1	knob
9	0.169.6714.2	1	rod
10	2.1011.103.2	2	nut m 6 p.1
11	2.1099.011.2	2	special nut
12	0.233.6752.2	1	tube
13	0.170.6717.0	1	support
14	2.0112.207.2	2	screw m 8 p 1.25 x 20
15	2.1470.004.2	2	washer 8
16	2.1579.095.0	2	spacer
17	0.170.6710.3	1	small pedal
18	0.170.6752.0	1	spacer
19	2.1630.208.0	1	roll pin 3x16
20	0.170.6751.0	1	pin
21	0.170.6714.2	1	rod
22	0.154.6761.0	1	rubber plug
23	0.170.6715.2	1	rod
24	0.170.6753.0	1	bracket
25	2.1310.002.3	3	flat washer 6.4 x 12 x 1.6
26	2.1690.206.2	4	split pin 2x16
27	0.169.6730.3/70	1	rod
28	2.0112.004.2	1	screw m 6 p.1 x 14
29	0.169.6760.0	1	pin
30	2.1310.002.3	1	flat washer 6.4 x 12 x 1.6
31	2.1011.103.2	1	nut m 6 p.1
32	0.170.6755.0/20	1	bracket
33	2.1475.202.2	1	spring washer 8.4 x 16
34	2.0112.207.2	3	screw m 8 p 1.25 x 20
35	2.1470.004.2	2	washer 8
37	2.0322.407.6	1	screw m 6 x 20

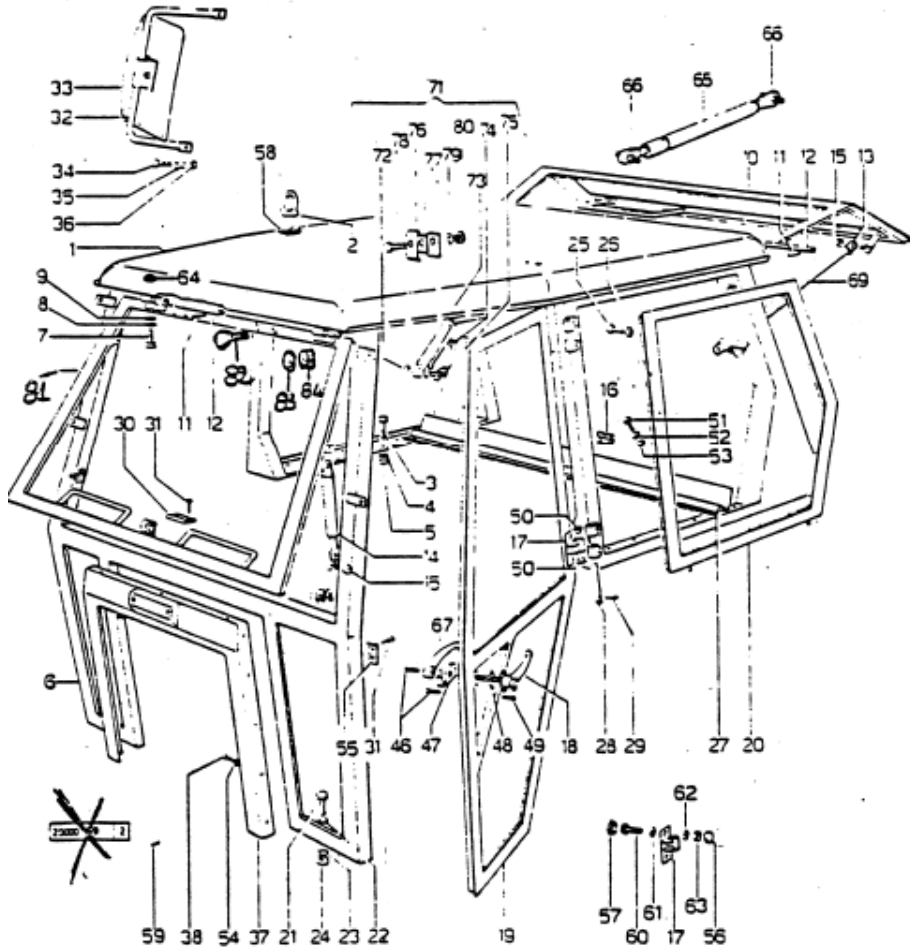
PRE-FILTER - COMPONENTS

Fig.	Code	QTY	Name
0	2.4239.110.0	1	precleaner
1	2.4239.110.1	1	cover
2	02389400	1	sump
3	0.000.0000.1	1	not serviceable



METALLIC STRUCTURES

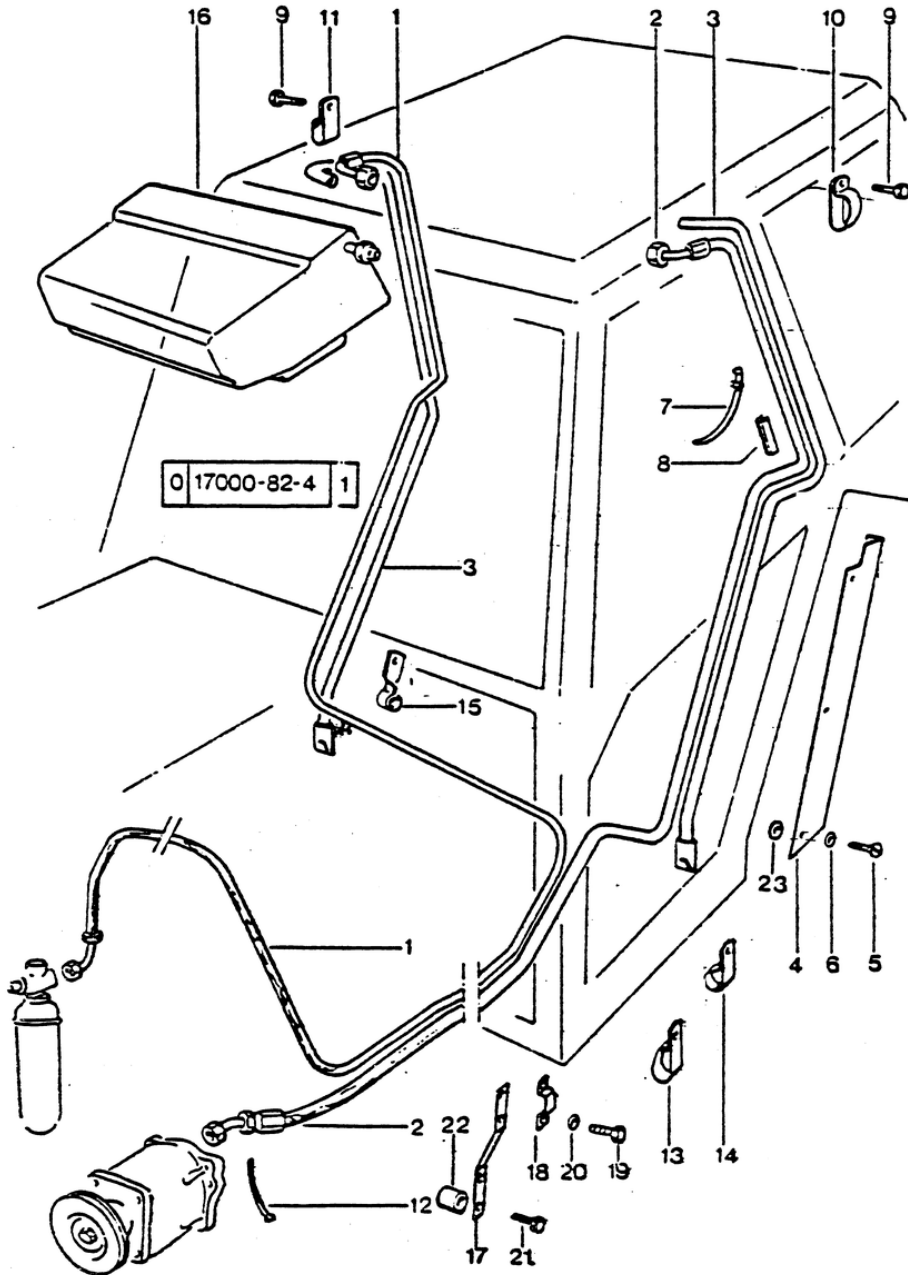
Fig.	Code	QTY	Name
76	0.9209.155.0	1	bracket
77	0.9209.156.0	2	small plate
78	2.0112.009.2	1	screw m 6 p.1 x 25
79	2.1310.002.3	1	flat washer 6.4 x 12 x 1.6
80	2.1121.003.2	1	selflock nut m 6 p.1
81	0.9200.134.3/10	1	chassis frame
82	0.9208.176.0	4	old part
83	2.1011.105.2	1	nut m 8 p.1.25
84	2.1470.004.2	1	washer 8



Section: CAB

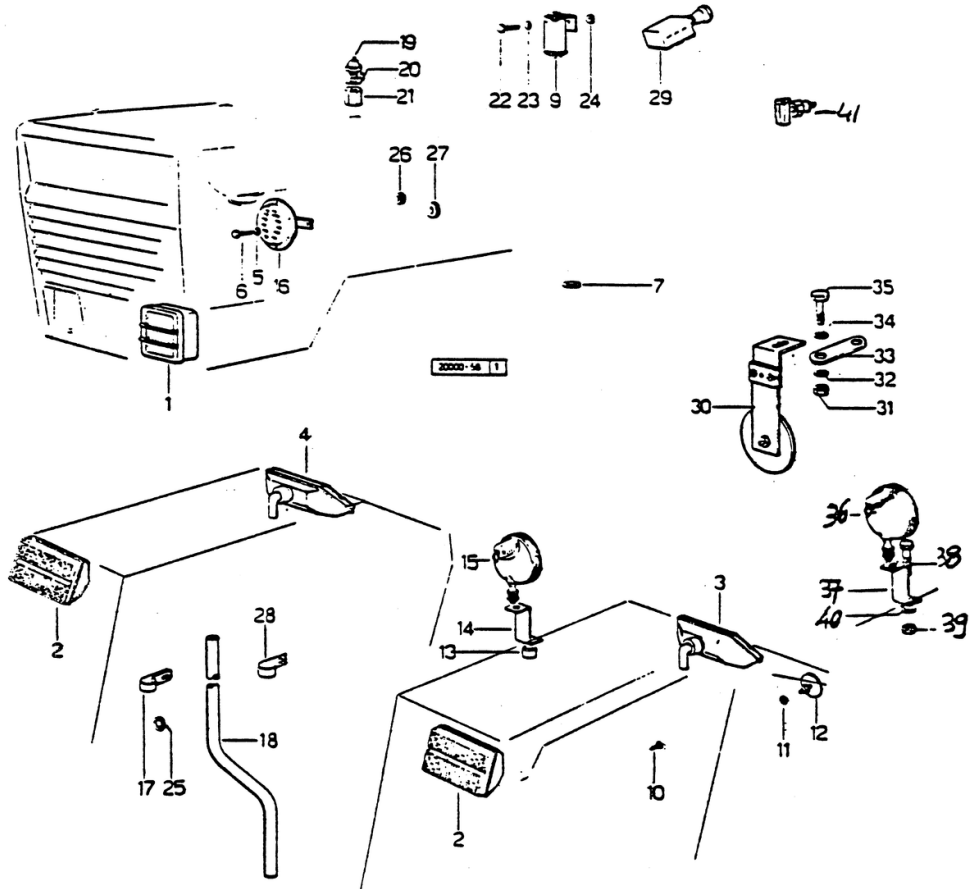
AIR CONDITIONING 98508

Fig.	Code	QTY	Name
1	0.98508.34.3	1	tube
2	0.98508.35.3	1	tube
3	0.98503.36.0	2	tube
4	0.98503.66.0	1	shield dx/rh/re
4	0.98503.68.0	1	shield sx/lh/li
5	2.0350.554.6	6	screw 4.8x13
6	2.1470.001.2	6	lock washer 5
7	2.6859.032.0	2	clamp
8	0.98503.69.0	9	guard
9	2.0350.554.6	2	screw 4.8x13
10	2.6859.034.2/10	1	clamp
11	2.6859.033.2/10	1	clamp
12	2.6852.203.0	8	clamp 292 x 4.8
13	2.6859.035.2/10	1	clamp
14	2.6859.036.2/10	1	clamp
15	2.6859.037.2/10	1	clamp
16	0.9200.515.4/30	1	conditioner OB.00.11
17	0.98508.57.2	1	bracket
18	2.6859.038.2/10	1	clamp
19	2.0112.004.2	2	screw m 6 p.1 x 14
20	2.1470.002.2	2	washer 6, d128
21	2.0112.211.2	2	screw m 8 p.1.25 x 30



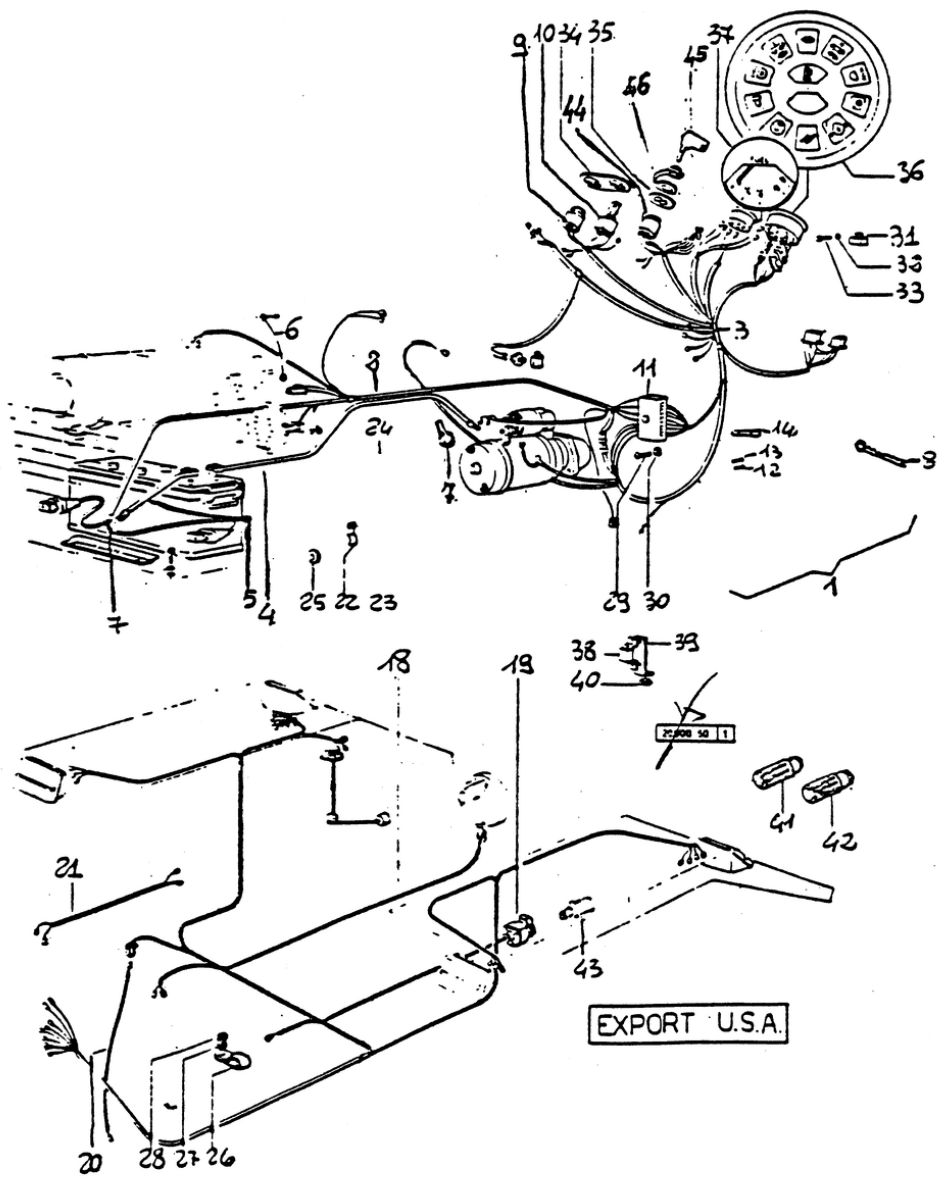
Section: ELECTRIC AL SYSTEM
ELECTRIC LIGHTING SYSTEM

Fig.	Code	QTY	Name
38	2.0112.511.2	1	screw m 14 p.2 x 30
39	2.1011.108.2	1	nut m 14 p.2
40	2.1470.008.2	1	lock washer 14
41	2.7099.490.0/10	1	switch 5 BAR



ELECTRIC STARTING SYSTEM - EXPORT U.S.A.

Fig.	Code	QTY	Name
35	2.9919.414.0	1	plate
36	2.8339.056.0	1	instrument holder
37	2.7059.200.0	1	level indicator
38	2.7659.135.0	1	thermo-start
39	0.163.8553.0/10	1	bracket
40	2.1599.153.0	1	snoulder 6.4x17x2
41	2.8319.003.0	1	lamp
42	2.8310.003.0	1	lamp 12V 3W
43	06213947	1	plug
44	04411512.4	1	start device
45	2.7439.016.2	2	ignition key -> 2452
45	2.7439.017.0/10	2	key 2451 <-
46	0.257.8451.2/20	1	small cover



CLICK HERE TO **DOWNLOAD** THE COMPLETE MANUAL

- Thank you very much for reading the preview of the manual.
- You can download the complete manual from: www.heydownloads.com by clicking the link below



- Please note: If there is no response to CLICKING the link, please download this PDF first and then click on it.

CLICK HERE TO **DOWNLOAD** THE COMPLETE MANUAL

Section: ELECTRIC AL SYSTEM
HEADLAMP COMPONENTS

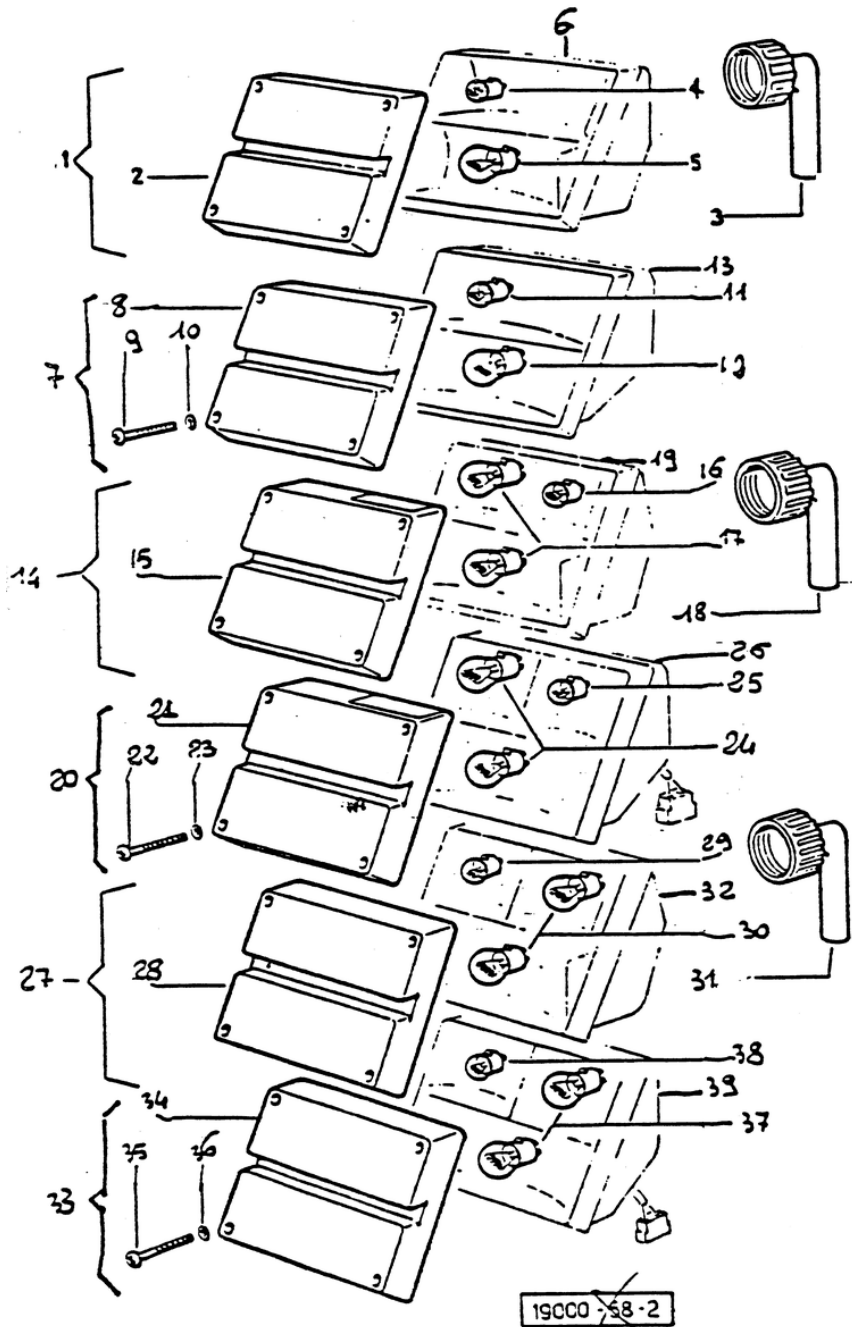


Fig.	Code	QTY	Name
39	0.000.0000.1	1	not serviceable

Section: ENGINE
CYLINDER HEAD

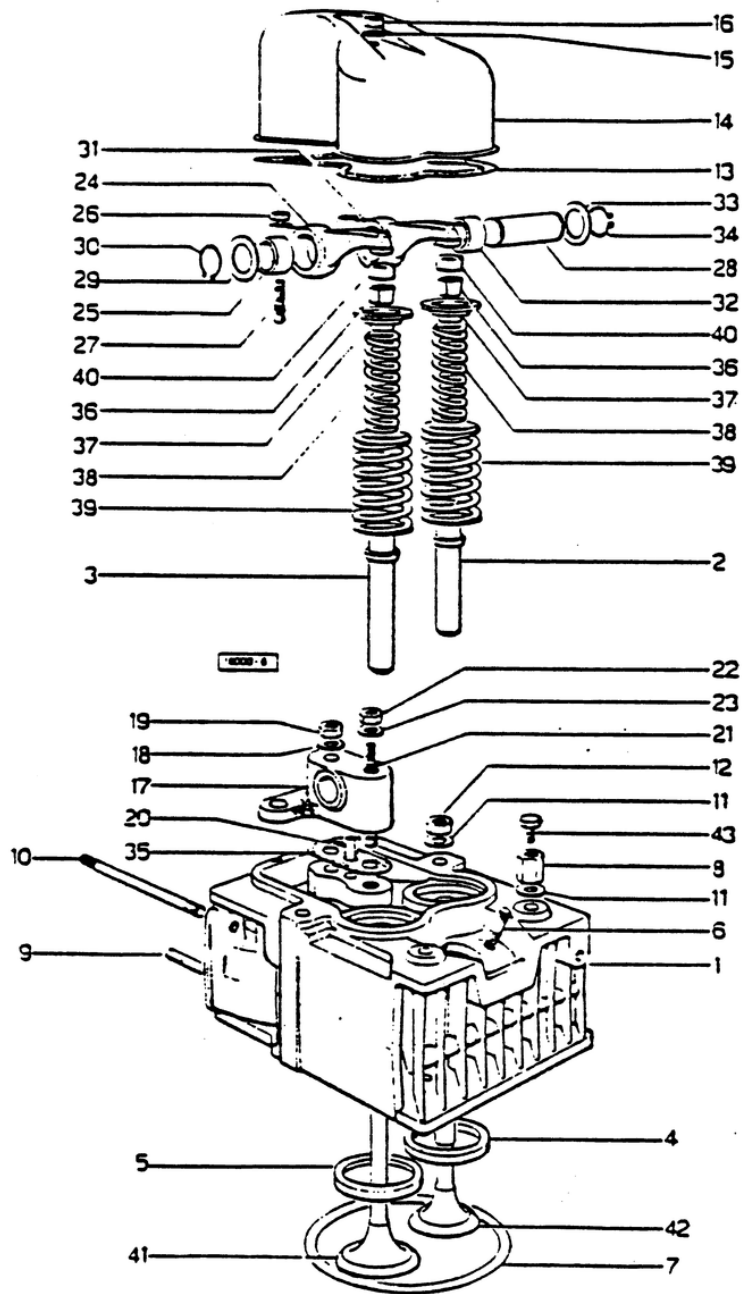


Fig.	Code	QTY	Name
29	2.1599.019.0	5	snoulder 19.5x31x2
30	2.1410.055.7	5	circlip 19
31	0.002.5936.3/40	5	rocker
32	2.1559.021.0/40	5	bushing 19x22x14
33	2.1599.019.0	5	snoulder 19.5x31x2
34	2.1410.055.7	5	circlip 19
35	0.034.1450.0	5	gasket
36	0.062.1423.0/10	10	conical valve cotter => 10460
36	0.074.1423.0	10	conical valve cotter 10459 <=
37	0.002.9215.0/20	10	cup 10459 <=
37	0.062.1425.0	10	cup => 10460
38	2.4019.194.0	10	spring 22.70x50.7x2.1
39	2.4019.193.0	10	spring 36.15x55.2x3.2
40	0.021.1453.0/20	10	small cover 10459 <=
40	0.062.1452.0	10	small cover => 10460
41	0.052.1420.0	5	inlet valve Ø mm 9 10459 <=
41	0.042.1420.2	5	inlet valve Ø mm 8 => 10460
42	0.039.1421.0	5	exhaust valve Ø mm 9 10459 <=
42	0.071.1420.2	5	exhaust valve Ø mm 8 => 10460
43	2.0119.053.1	3	screw

INJECTOR NOZZLE HOLDER COMPONENTS

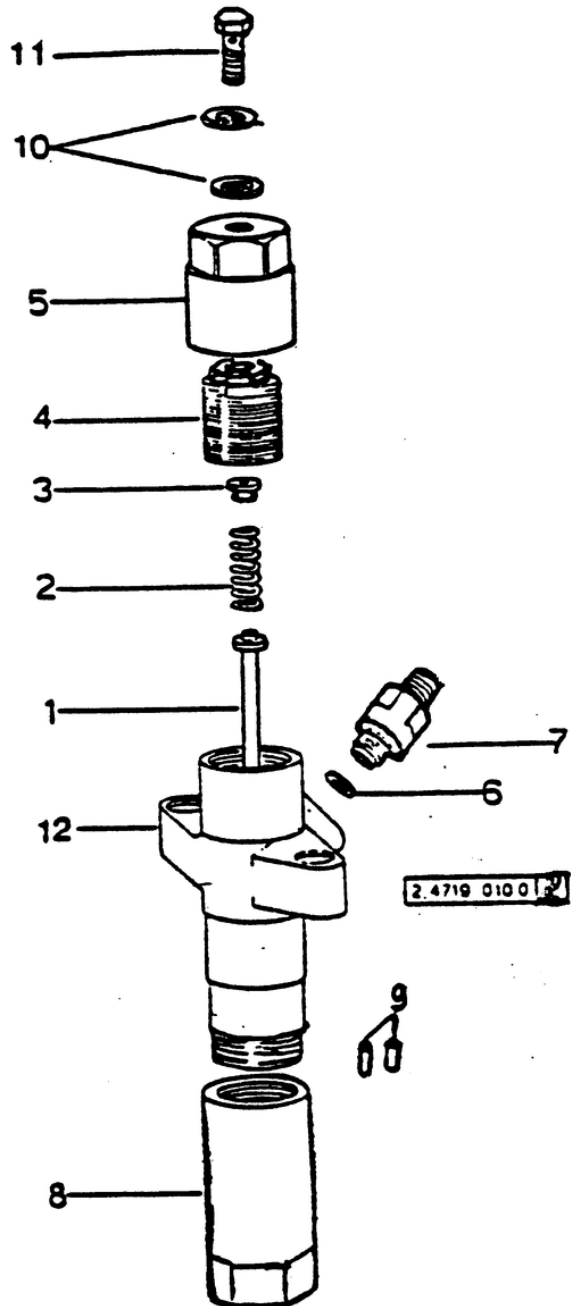


Fig.	Code	QTY	Name
0	2.4719.010.0	1	nozzle holder BOSCH
1	2.4719.010.1	1	pin
2	2.4719.010.2	1	spring
3	2.4719.010.3	1	sleeve
4	2.4719.010.4	1	ring nut
5	2.4719.010.5	1	small cap
6	2.1311.004.2	1	flat washer 6, d128
7	2.4719.010.6	1	pipe fitting
8	2.4719.010.8	1	ring nut
9	2.4719.172.0	2	roll pin
10	2.1560.004.0	2	gasket 8.2 x 14
11	2.3339.004.1	1	pipe union m 8 p.1 x 8
12	0.000.0000.1	1	not serviceable

JAGUAR 95 EXPORT

Section: FRONT AND REAR P.T.O.

Ref.: 05.00.3

P.T.O. - POWER TAKE OFF -> 5131

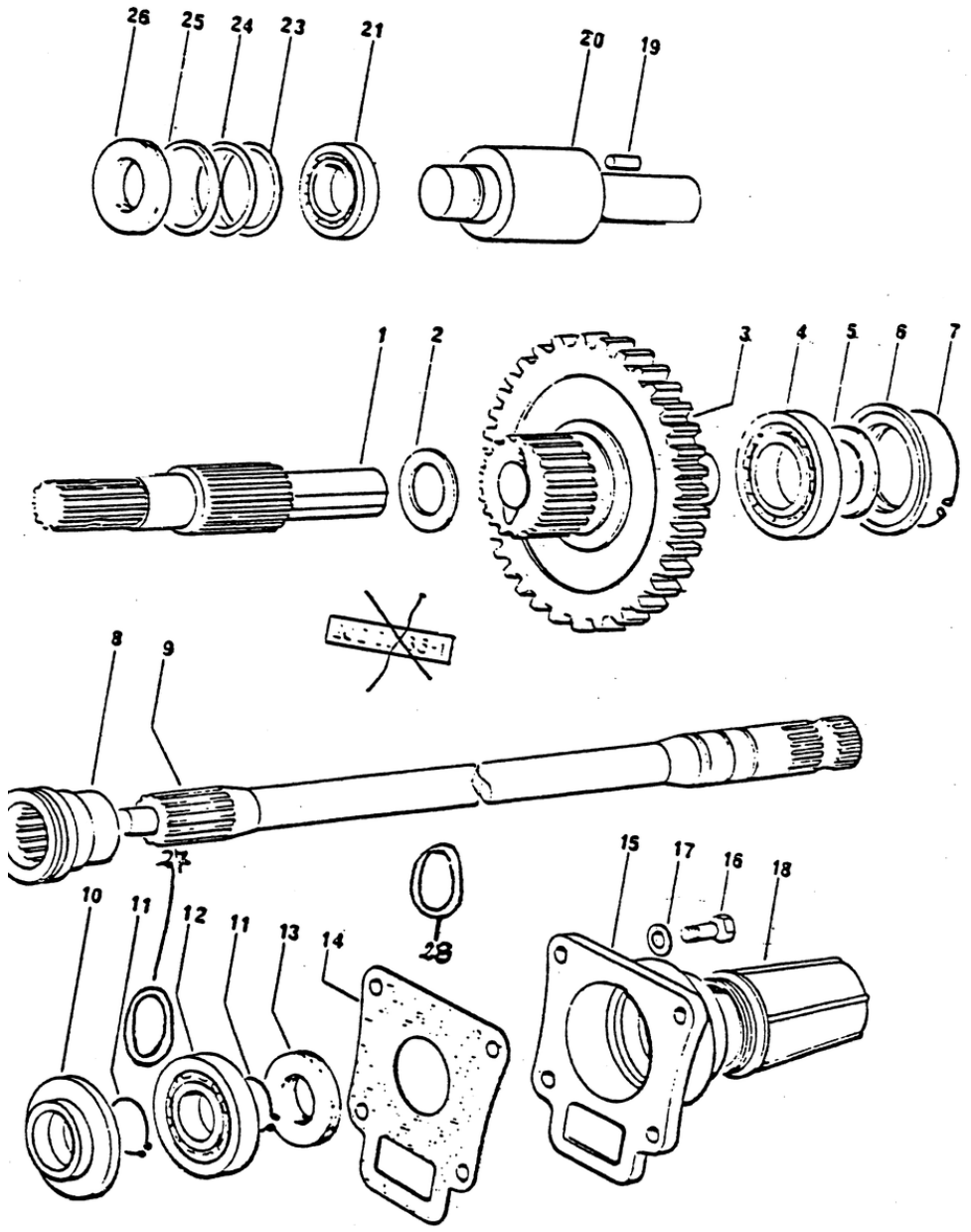
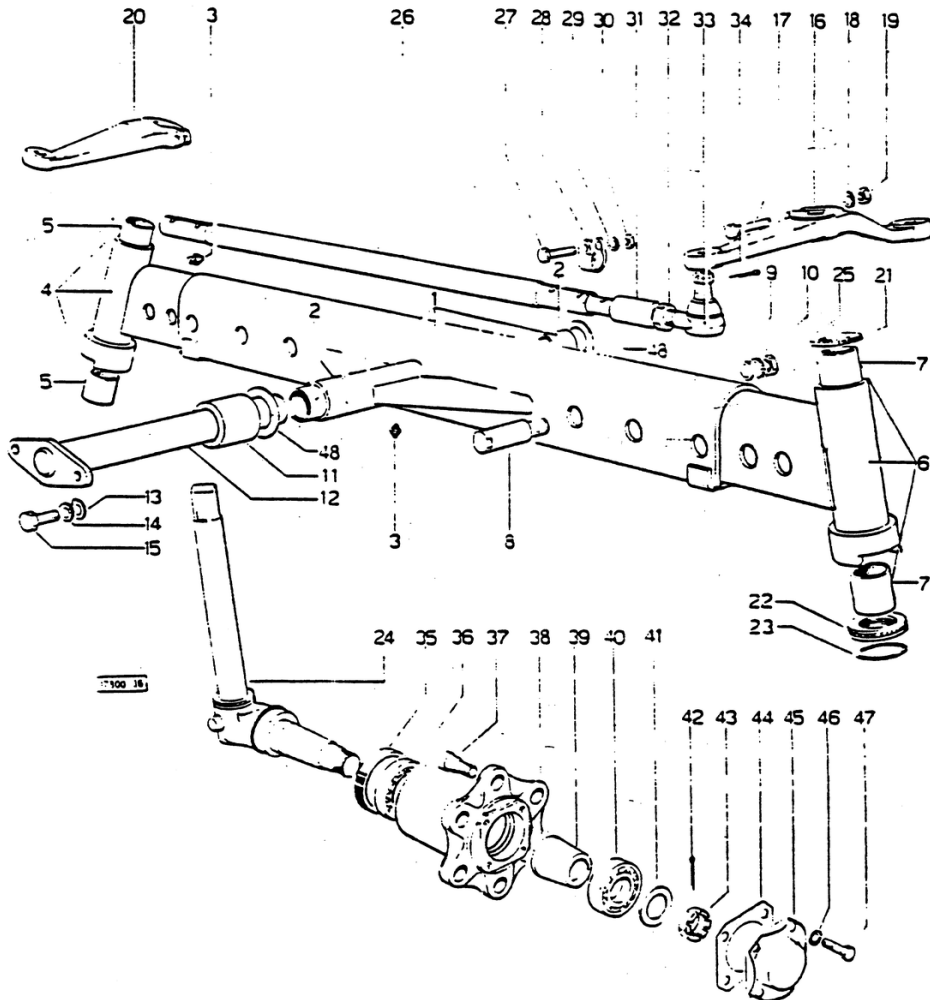


Fig.	Code	QTY	Name
1	0.202.3652.0	1	p.t.o.shaft
2	2.1599.359.0	1	snoulder
3	0.202.3650.3	1	gear
3	0.202.3651.3	1	gear 25 KM/H 4WD
4	2.2520.010.0	1	roller bearing 45x85x20.75
5	2.1519.055.0	1	'o' ring
6	0.170.3659.0	1	flange
7	2.1411.034.1	1	circlip 85
8	0.170.3660.0	1	sleeve
9	0.170.3661.0	1	p.t.o.shaft
10	0.170.3662.0	1	sleeve
11	2.1410.014.1	1	circlip 35
11	2.1410.014.1	2	circlip 35 4WD
12	2.2060.011.0	1	ball bearing 35 x 80 x 21
13	2.1529.162.0	1	'o' ring
14	0.170.3663.0/10	1	gasket
15	0.170.3664.0/10	1	flange
16	2.0112.417.2	4	screw m 12 p.1.75 x 45
17	2.1470.007.2	4	lock washer 12
18	0.154.3655.0/10	1	guard
19	2.1651.507.0	1	pin 6 x 16
20	0.202.3653.0	1	shaft
21	2.2510.005.0	1	roller bearing
23	2.1589.076.0	2	snoulder 54x62x0.20
24	2.1589.075.0	4	snoulder 54x62x0.15
25	2.1599.319.0	1	snoulder
26	2.1529.162.0	1	'o' ring
27	2.1580.234.0	3	shim
28	2.1580.233.0	2	shim

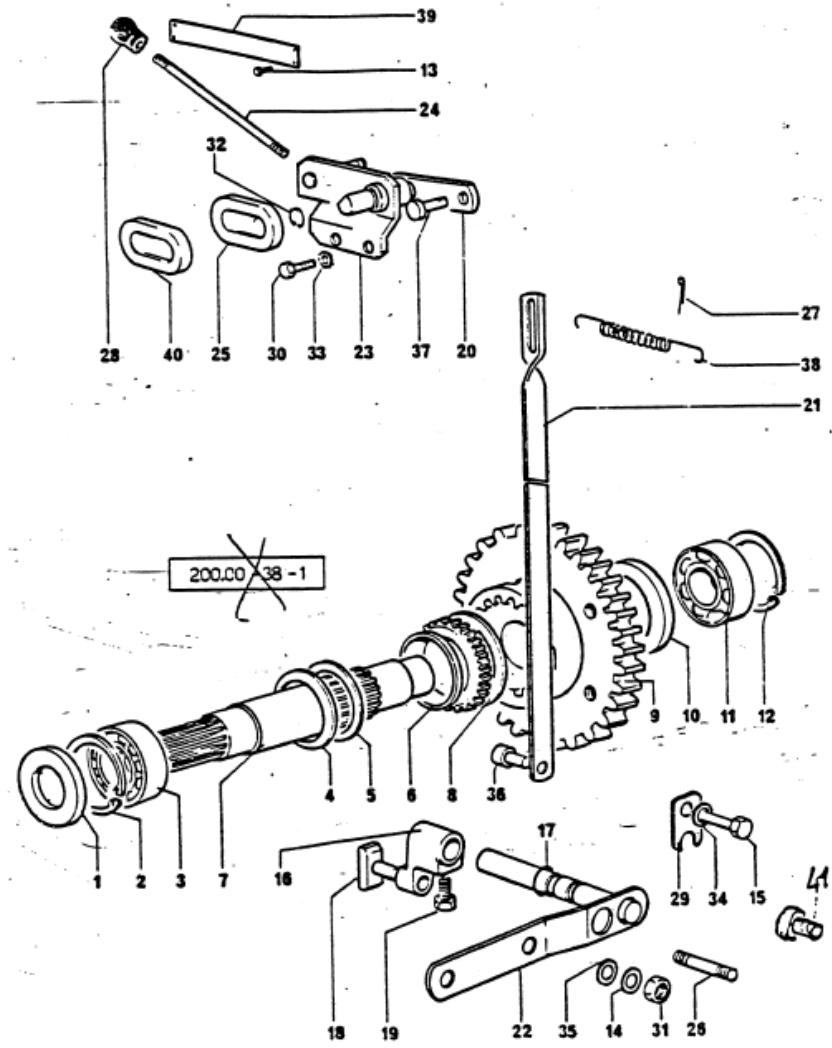
Section: FRONT AXEL
2WD - EXTENDIBLE AXLE

Fig.	Code	QTY	Name
1	0.169.4210.3/10	1	central axle -> 2227
1	0.169.4210.3	1	central axle 2226 <-
2	2.1559.134.0	2	bushing 50x45x60
3	2.3820.105.2	3	lubricator m 10 p.1 x 7
4	0.167.4211.3/30	1	counter shaft 2226 <-
4	0.167.4211.3/40	1	counter shaft dx/rh/re -> 2227
5	2.1559.134.0	2	bushing 50x45x60
6	0.167.4212.3/20	1	counter shaft 2226 <-
6	0.167.4212.3/30	1	counter shaft sx/lh/li -> 2227
7	2.1559.134.0	2	bushing 50x45x60
8	0.167.4259.0/20	6	pin
9	2.1310.013.2	6	flat washer 21x37
10	2.1470.011.2	6	washer 20
11	2.1579.248.0	1	spacer 45x65x53
12	0.167.4213.3	1	pin
13	0.135.4259.0	8	shim mm 0.20
14	2.1470.007.2	2	lock washer 12
15	2.0112.411.2	2	screw m 12 p.1.75 x 30
16	0.176.4233.0	1	lever
17	2.0122.528.2	2	screw m 14 p.1.5x95
18	2.1470.008.2	2	lock washer 14
19	2.1011.408.2	2	nut m 14 p.1.5
20	0.176.4232.0	1	lever
21	2.1569.073.0	2	gasket 45x57x6
22	2.2620.010.0	2	thrust bearing 45x65x14
23	2.1530.161.0	2	'o' ring 53.98x3.53
24	0.176.4220.3/20	1	axle shaft
24	0.176.4221.3/10	1	axle shaft
25	2.1011.411.2	6	nut m 20 p.1.5
26	0.167.4235.0/10	1	tube
27	2.0122.369.2	4	screw m 10 p.1.25 x 50
28	0.137.4238.0	4	terminal
29	2.1470.006.2	4	lock washer 10
30	2.1011.421.2	4	nut m 10 p.1.25
31	0.167.4234.2	2	rod
32	2.1099.020.1	2	special nut m 24 p.1.5
33	0.010.0488.4/10	2	joint ☞ 0.010.0488.4/10



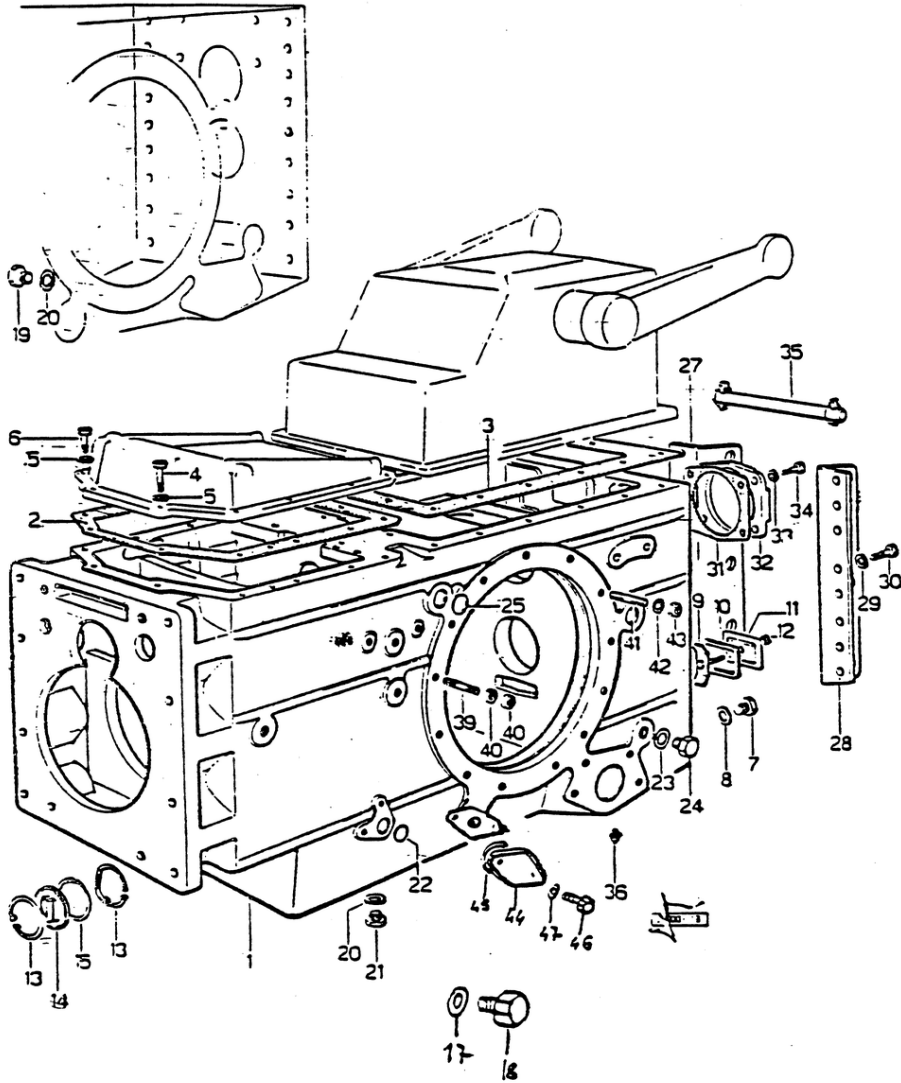
Section: FRONT AXEL
4WD-P.T.O. -> 1520 - 5130 <-

Fig.	Code	QTY	Name
1	2.1529.162.0	1	'o' ring
2	2.1411.025.1	1	circlip 62
3	2.2030.008.0	1	ball bearing 35x62x14
4	2.1580.216.0	2	shim 50.5x62x0.5
5	2.1580.215.0	2	shim 50.5x62x0.2
6	0.154.3821.0	1	sleeve
7	0.163.3822.0/10	1	shaft
8	2.1599.221.0	1	snoulder
9	0.200.3820.0	1	gear Z = 46
9	0.200.3851.0	1	gear Z = 50 25 Km/h
10	2.1579.239.0	1	spacer
11	2.2040.009.0	1	ball bearing iso 30 bc 02
12	2.1411.025.1	1	circlip 62
13	2.1858.105.0	4	rivet
14	2.1310.006.2	2	flat washer 10.5
15	2.0112.207.2	1	screw m 8 p 1.25 x 20
16	0.170.3844.0	1	lever
17	2.1530.034.0	1	'o' ring 13.95x2.62
18	0.001.5945.0/10	1	shoe
19	2.0399.002.1	1	screw m 10 p.1x24
20	0.170.3840.2/30	1	lever
21	0.202.3841.0/10	1	rod
22	0.173.3842.3/10	1	shaft
23	0.170.3852.2/10	1	support
24	0.170.3853.0/10	1	rod
25	0.170.3854.0	1	gasket
26	2.0439.104.7	1	stud bolt
27	2.1690.308.2	2	split pin 3.2 x 20
28	0.150.6722.0	1	grip m 10 p.1.5
29	0.154.3853.0	1	small plate
30	2.0112.207.2	2	screw m 8 p 1.25 x 20
31	2.1011.510.2	1	nut m 18 p.1.5
32	2.1410.004.2	1	circlip 16
33	2.1470.004.2	2	washer 8
34	2.1470.004.2	1	washer 8
35	2.1470.010.2	1	lock washer 18
36	2.1670.406.2	1	pin 10x25x21.5
37	2.1671.407.2	1	pin 10 x 28
38	2.4049.092.1	1	spring
39	2.9919.037.0	1	plate
40	0.170.3851.0	1	gasket
41	0.170.3859.0	1	bushing



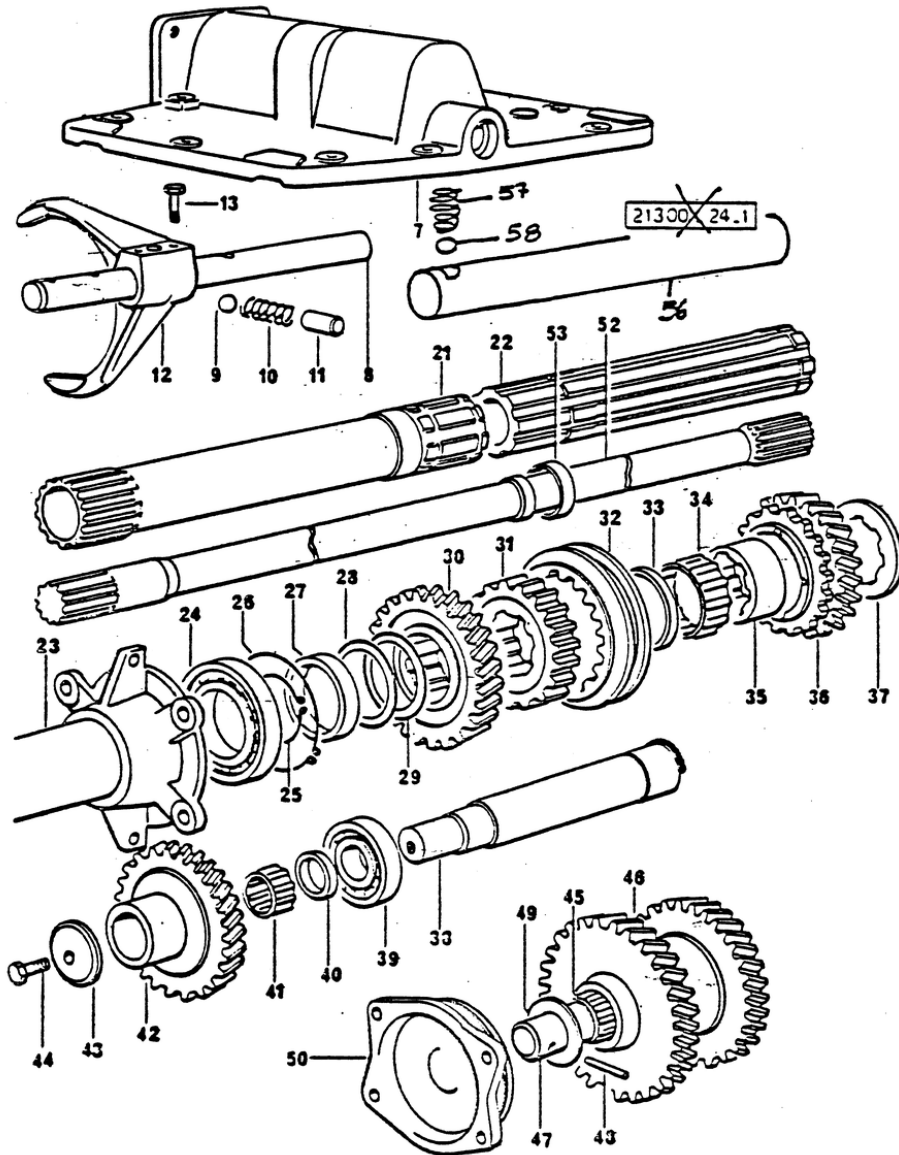
Section: GEAR
GEARBOX

Fig.	Code	QTY	Name
41	2.0439.101.7	4	stud bolt m 12 p.1.25x60
42	2.1470.007.2	2	lock washer 12
43	2.1011.422.2	2	nut m 12 p.1.25
44	0.202.3150.0	1	cover
45	2.1530.131.0	1	'o' ring
46	2.0112.309.2	2	screw m 10 p.1.5 x 25
47	2.1470.006.2	2	lock washer 10



Section: GEAR
REVERSING GEAR UNIT

Fig.	Code	QTY	Name
57	2.4019.299.1	1	spring
58	0.213.6456.0	1	roller



Section: REAR AXLE
BRAKE CONTROLS

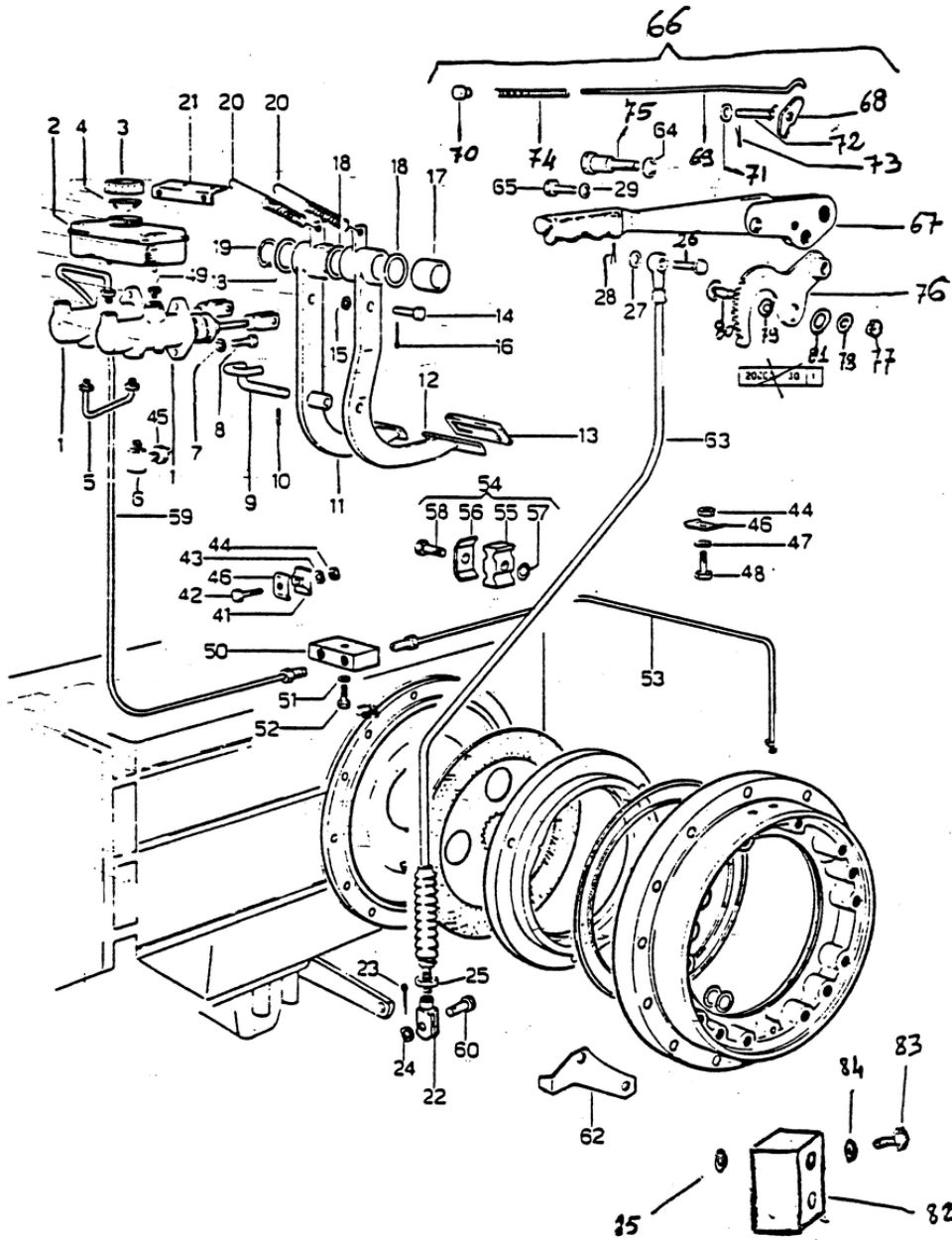
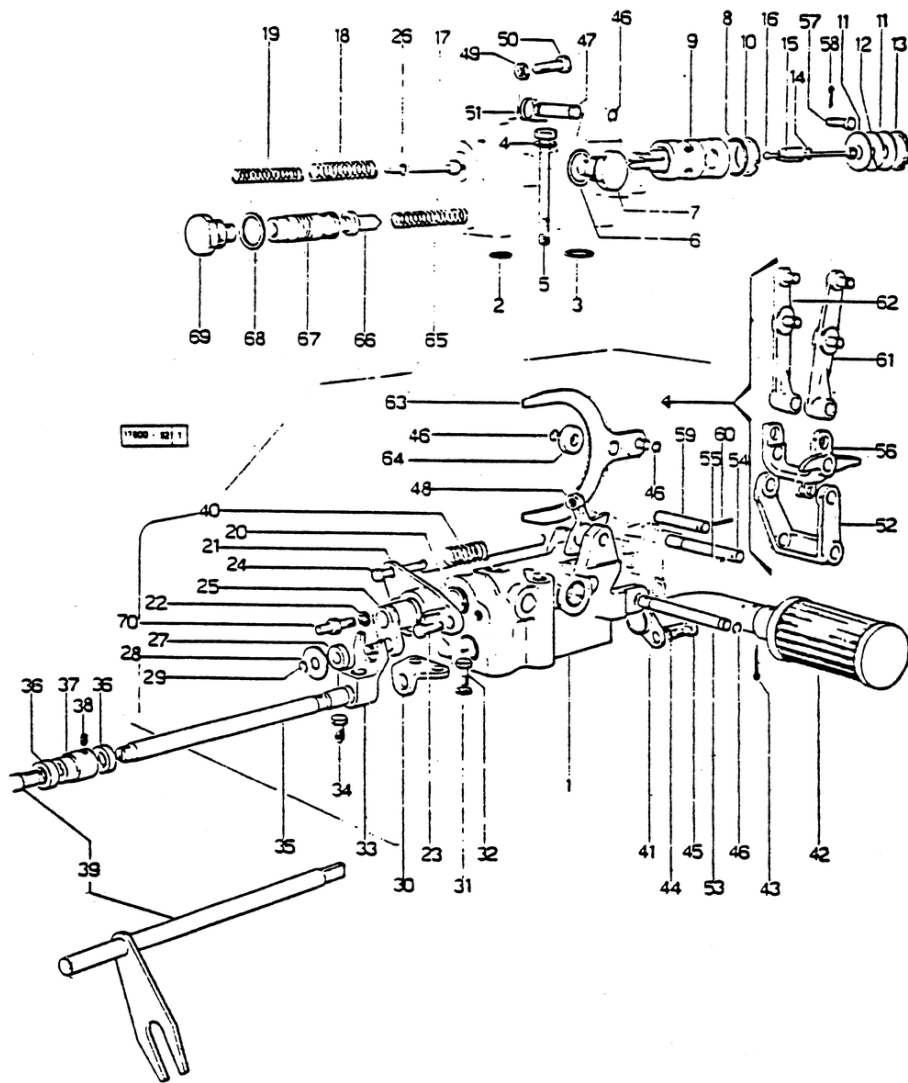


Fig.	Code	QTY	Name
71	2.1310.004.2	1	flat washer 8.5
72	2.1671.305.2	1	pin 8x22
73	2.1690.206.2	1	split pin 2x16
74	2.4019.555.2	2	spring 14x130x1.3
75	2.1699.564.0	1	pin -> 1520
75	2.0112.213.2	1	screw m 8 p.1.25 x 35 1519 <-
76	0.200.6624.2/10	1	toothed sector -> 1520
76	0.171.6624.2	1	toothed sector 1519 <-
77	2.1011.106.2	1	nut m 10 p.1.5
78	2.1310.006.2	1	flat washer 10.5
79	2.1310.009.2	1	flat washer 14
80	2.1579.449.2	1	spacer
81	2.1599.481.0	2	conical washer
82	0.233.6650.0/10	1	support
83	2.0119.079.2	1	screw m 20 p.1.5x25
84	2.1311.012.2	1	flat washer 20
85	2.1470.011.2	1	washer 20

REGULATING DISTRIBUTOR

Fig.	Code	QTY	Name
1	0.9023.420.0/10	1	body
2	2.1530.028.0	2	'o' ring 11.91 x 2.62
3	2.1530.058.0	2	'o' ring 22.22x2.62
4	2.1470.006.2	3	lock washer 10
5	2.0112.325.2	3	screw m 10 p.1.5 x 80
6	2.1560.054.0	1	gasket 21 x 26
7	0.002.2263.0	1	plug
8	2.1530.079.0	3	'o' ring 29.82 x 2.62
9	0.9092.421.3/10	1	distributor
10	2.1411.012.1	1	circlip 30x1.2, din 472
11	2.1599.190.0/10	2	snoulder
12	0.9016.451.0	1	gasket
13	2.1411.013.7	1	circlip Ø 32
14	2.1411.001.1	1	circlip 10
15	0.001.3694.0	1	spacer
16	0.9025.422.0	1	ferrule
17	0.9023.414.0	1	small shaft
18	2.4019.175.1	1	spring
19	2.4019.002.1	1	spring
20	2.1410.008.1	1	circlip Ø 22
21	0.9023.451.3	1	flange
22	2.1470.004.2	2	washer 8
23	2.0112.204.2	1	screw m 8 p.1.25x14
24	0.9023.452.0	1	pin
25	0.9040.413.0	1	lever
26	2.1499.005.0	1	circlip
27	0.9011.554.0	1	roller
28	2.1599.283.0	1	snoulder 8.5x25x1.6
29	2.1430.007.7	1	circlip 6, d128
30	0.9023.455.0	1	square
31	2.1470.004.2	2	washer 8
32	2.0112.204.2	2	screw m 8 p.1.25x14
33	0.9023.460.0	1	lever
34	2.0399.019.1	1	screw m 8 p.1 x 16
35	0.9023.459.0/10	1	shaft
36	2.1519.042.0	2	'o' ring
37	0.9023.456.0	1	joint
38	2.0512.102.7	1	screw m 6 p.1 x 8
39	0.9023.457.3/10	1	shaft
40	2.4049.084.1	1	spring
41	0.9023.454.2	1	tube
42	0.9023.428.2	1	hydr.oil filter elem
43	2.1690.314.2	1	split pin 3.2x40
44	2.1470.004.2	1	washer 8



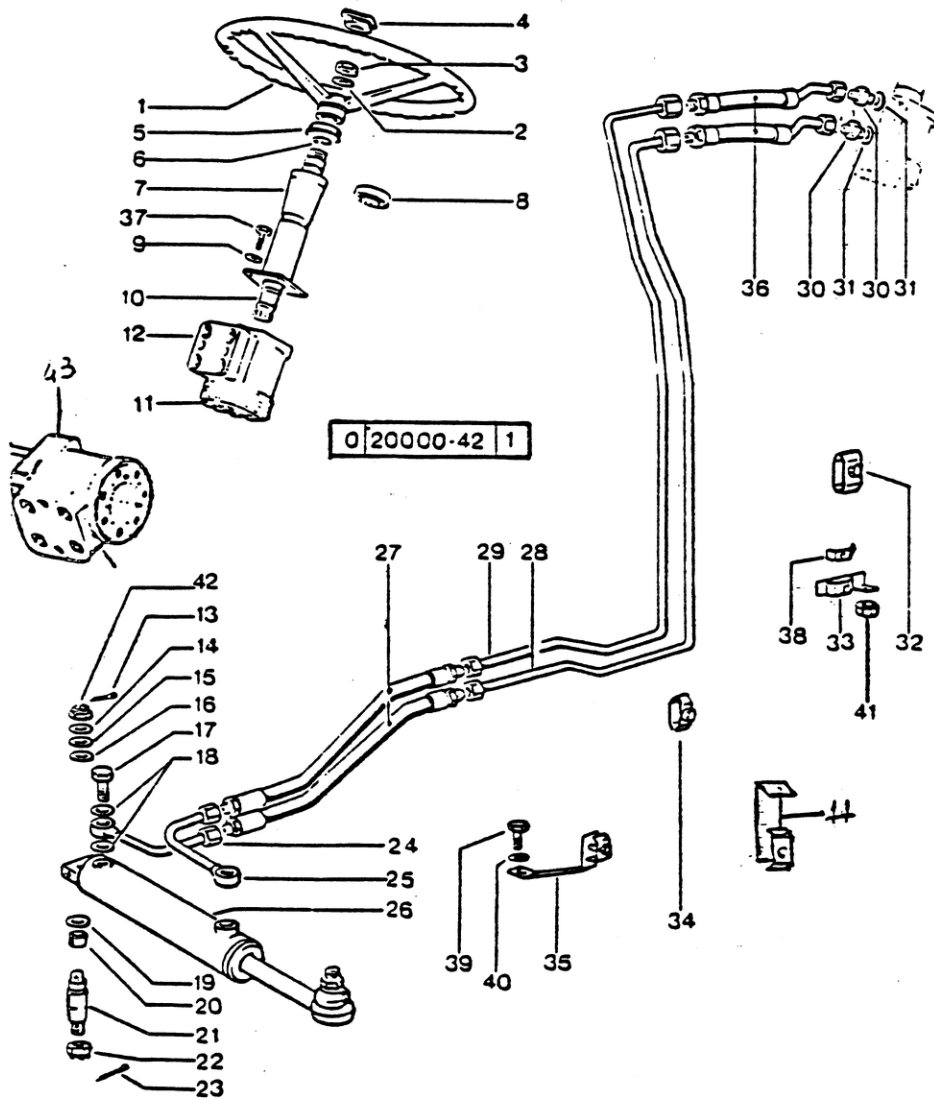
JAGUAR 95 EXPORT

Section: POWER STEERING - HYDRAULIC SYSTEM

Ref.: 06.00.1

POWER STEERING

Fig.	Code	QTY	Name
1	0.171.6110.3/10	1	steering wheel
2	2.1470.011.2	1	washer 20
3	2.1011.511.2	1	nut m 20 p.1.5
4	0.235.6111.0	1	small cap
5	0.178.6356.0	1	guard
6	2.1410.010.1	1	circlip 25
7	0.178.6355.3	1	steering column
8	2.2021.009.0	1	ball bearing 25 x 47 x 12
9	2.1470.006.2	4	lock washer 10
10	0.178.6354.0/10	1	steering shaft
11	0.170.6377.4	1	hydrosteering ☞ 06.00.3
12	0.170.6378.4	1	valve body ☞ 06.00.3
13	2.1690.414.2	1	split pin 4x28
14	2.1599.270.0	1	snooulder 16.5x42x3
15	2.1569.079.0	1	gasket
16	2.1599.272.0	1	snooulder 21x34.5x2
17	2.3339.210.1	2	pipe union m 14
18	2.1560.010.0	4	gasket 14.2 x 20 x 1.5
19	2.1599.272.0	1	snooulder 21x34.5x2
20	2.1579.282.0	1	rubber plug 27x35x26 2WD
20	2.1579.283.0	1	spacer 4WD
21	0.169.6361.0	1	pin 2WD
21	0.169.6362.0	1	pin 4WD
22	2.1021.309.2	1	castellated nut m 20 p.1.5
23	2.1690.414.2	1	split pin 4x28
24	0.170.6371.2	1	tube 2WD
24	0.250.6351.2	1	tube 4WD
25	0.250.6352.2	1	tube 4WD
25	0.170.6370.2	1	tube 2WD
26	0.176.6354.4	1	jack 4WD 5845 <- - ☞ 06.00.5
26	0.169.6352.4/20	1	jack -> 5846 -



CLICK HERE TO **DOWNLOAD** THE COMPLETE MANUAL

- Thank you very much for reading the preview of the manual.
- You can download the complete manual from: www.heydownloads.com by clicking the link below



- Please note: If there is no response to CLICKING the link, please download this PDF first and then click on it.

CLICK HERE TO **DOWNLOAD** THE COMPLETE MANUAL