

IRON 100

V0 - BALLAST, TOWING HITCHES

FRONT HITCHES

CATCHING MOUTH.....	V0.01.0 (1)
FRONT TOWING HITCH.....	V0.01.1 (2)

REAR HITCHES

TOWING COUPLING AUTOM. MM 32 - DRAWBAR EYE MM 52.....	V0.02.1 (1)
TOWING COUPLING AUTOM. MM 38 - DRAWBAR EYE MM 52.....	V0.02.3 (1)
TOWING COUPLING AUTOM. MM 38 - DRAWBAR EYE MM 63.....	V0.02.4 (1)
DRAWBAR COUPLING MECH.....	V0.02.5 (1)
REAR TOWING HITCH CAT: "C".....	V0.02.6 (1)
REAR TOWING HITCH CAT: "D2".....	V0.02.7 (1)
REAR TOWING HITCH.....	V0.02.8 (1)
REAR TOWING HITCH.....	V0.02.9 (1)
REAR TOWING HITCH CAT: "D3".....	V0.02.10 (1)
PIN FOR REAR TOW HOOK.....	V0.02.11 (1)
TRAILER STAND - DRAWBAR COUPLING mm 525.....	V0.02.12 (1)
REAR TOWING HITCH BRACKET.....	V0.02.13 (1)
REAR TOWING HITCH.....	V0.02.14 (1)
TOWING FRAME - WITH PITON-FIX.....	V0.02.15 (1)
TRAILER STAND - DRAWBAR COUPLING Ø 80.....	V0.02.17 (1)
TRAILER STAND - DRAWBAR COUPLING Ø mm 80.....	V0.02.18 (1)
TRAILER STAND - DRAWBAR COUPLING PITON FIX.....	V0.02.19 (1)
TOWING FRAME - WITH PITON-FIX.....	V0.02.20 (1)
TRAILER STAND - DRAWBAR COUPLING mm 705.....	V0.02.21 (1)
REAR TOWING HITCH BRACKET.....	V0.02.22 (1)
REAR TOWING HITCH BRACKET.....	V0.02.23 (1)
BRACKET.....	V0.02.24 (1)
SWINGING BAR.....	V0.02.25 (1)
TOWING BAR.....	V0.02.26 (1)
REAR OSCILLATING HITCH.....	V0.02.27 (1)
REAR OSCILLATING HITCH.....	V0.02.28 (1)
SWINGING DRAWBAR SUPPORT.....	V0.02.29 (1)
SWINGING DRAWBAR WITH PITON-FIX.....	V0.02.31 (1)
SWINGING DRAWBAR WITH PITON-FIX.....	V0.02.32 (1)
REAR OSCILLATING HITCH.....	V0.02.33 (1)
REAR OSCILLATING HITCH.....	V0.02.34 (1)
PICK-UP-HITCH - MECHANICAL.....	V0.02.35 (1)
PICK-UP-HITCH - HYDRAULIC.....	V0.02.36 (1)
DRAWBAR COUPLING.....	0.014.0402.4/10.A
DRAWBAR COUPLING.....	0.014.4453.3/10.A
DRAWBAR COUPLING CEE.....	0.015.3396.4.A
REAR TOWING HITCH BRACKET.....	04424316.4.A

CLICK HERE TO **DOWNLOAD** THE COMPLETE MANUAL

- Thank you very much for reading the preview of the manual.
- You can download the complete manual from: www.heydownloads.com by clicking the link below



- Please note: If there is no response to CLICKING the link, please download this PDF first and then click on it.

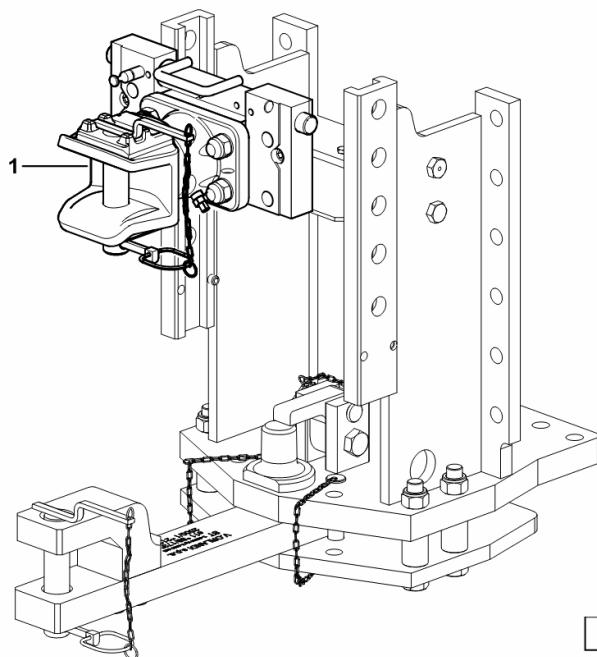
CLICK HERE TO **DOWNLOAD** THE COMPLETE MANUAL

REAR TOWING HITCH

Fig.	Code	QTY	Name
------	------	-----	------

Notes:
[IRON 100] -> 6039

1	0.015.3396.4	1	clevis V.ORLANDI - CEE ☞ 0.015.3396.4
---	--------------	---	--



K9_E2831_65_0-A-001

IRON 100

Section: V0 - BALLAST, TOWING HITCHES

Ref.: V0.02.21 (1)

TRAILER STAND - DRAWBAR COUPLING mm 705

Fig.	Code	QTY	Name
------	------	-----	------

Notes:
[IRON 100] 6051 <-

1	04453693	1	support - SAUERMANN - ☞ 04453693
2	01144803	10	screw m 18 p.1.5x40

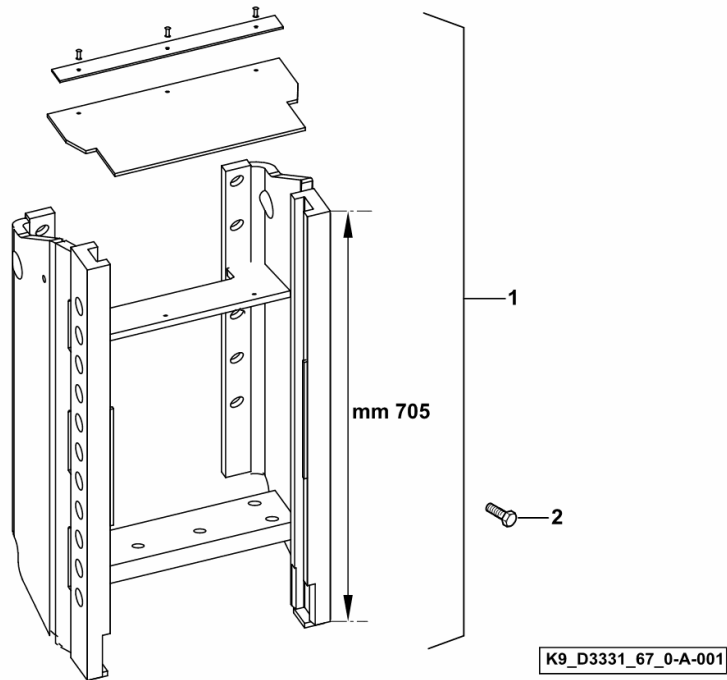
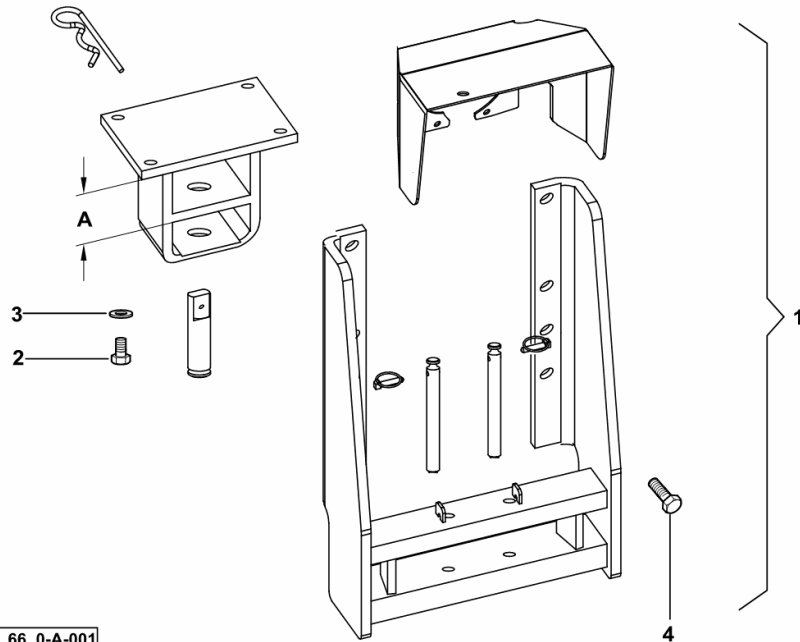


Fig.	Code	QTY	Name
------	------	-----	------

Notes:
 [IRON 100]

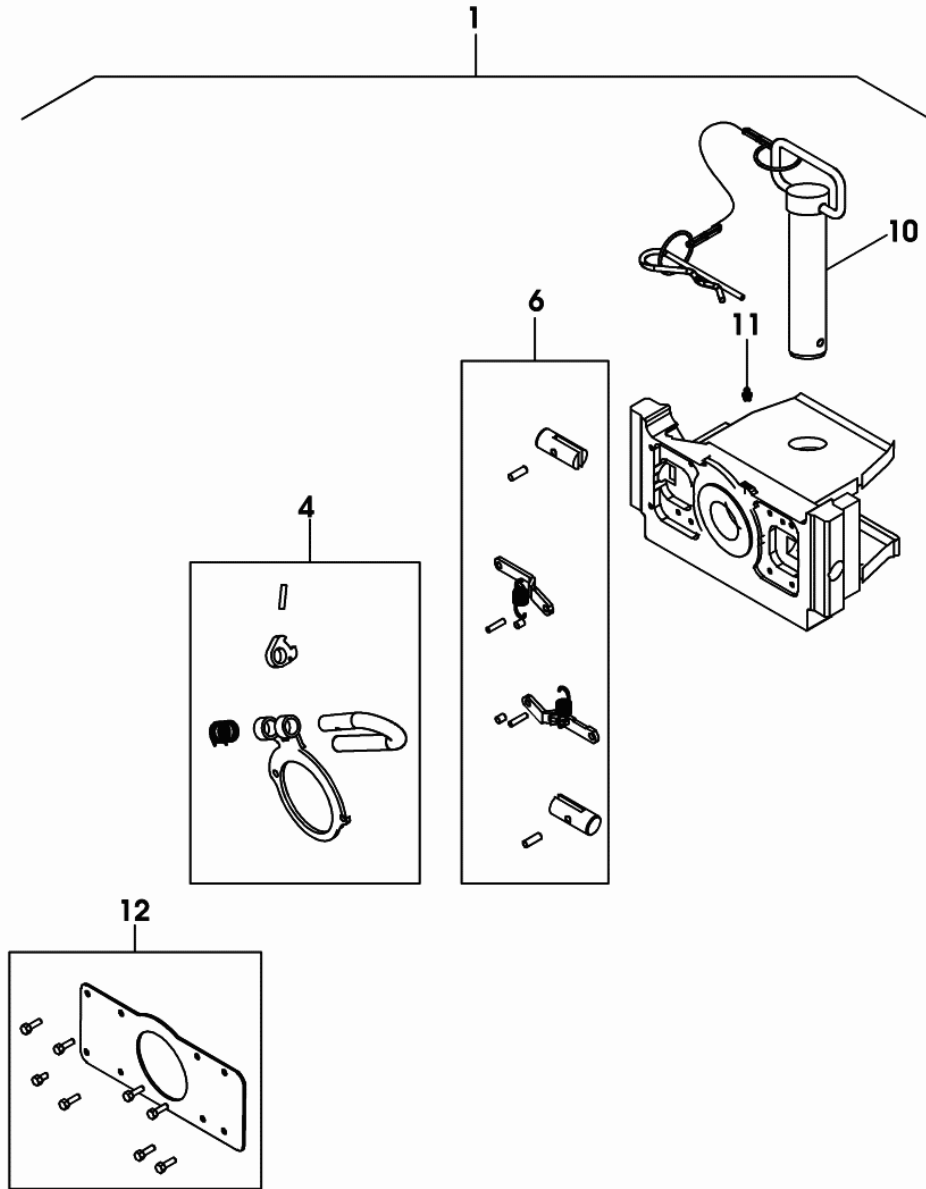
1	04454089	1	chassis frame A = mm 117 ☞ 04454089
2	2.0112.617.2	4	screw m 16 p.2x45
3	01174740	4	washer 16.5
4	01144803	8	screw m 18 p.1.5x40



K9_B1631_66_0-A-001

TOWING HITCH

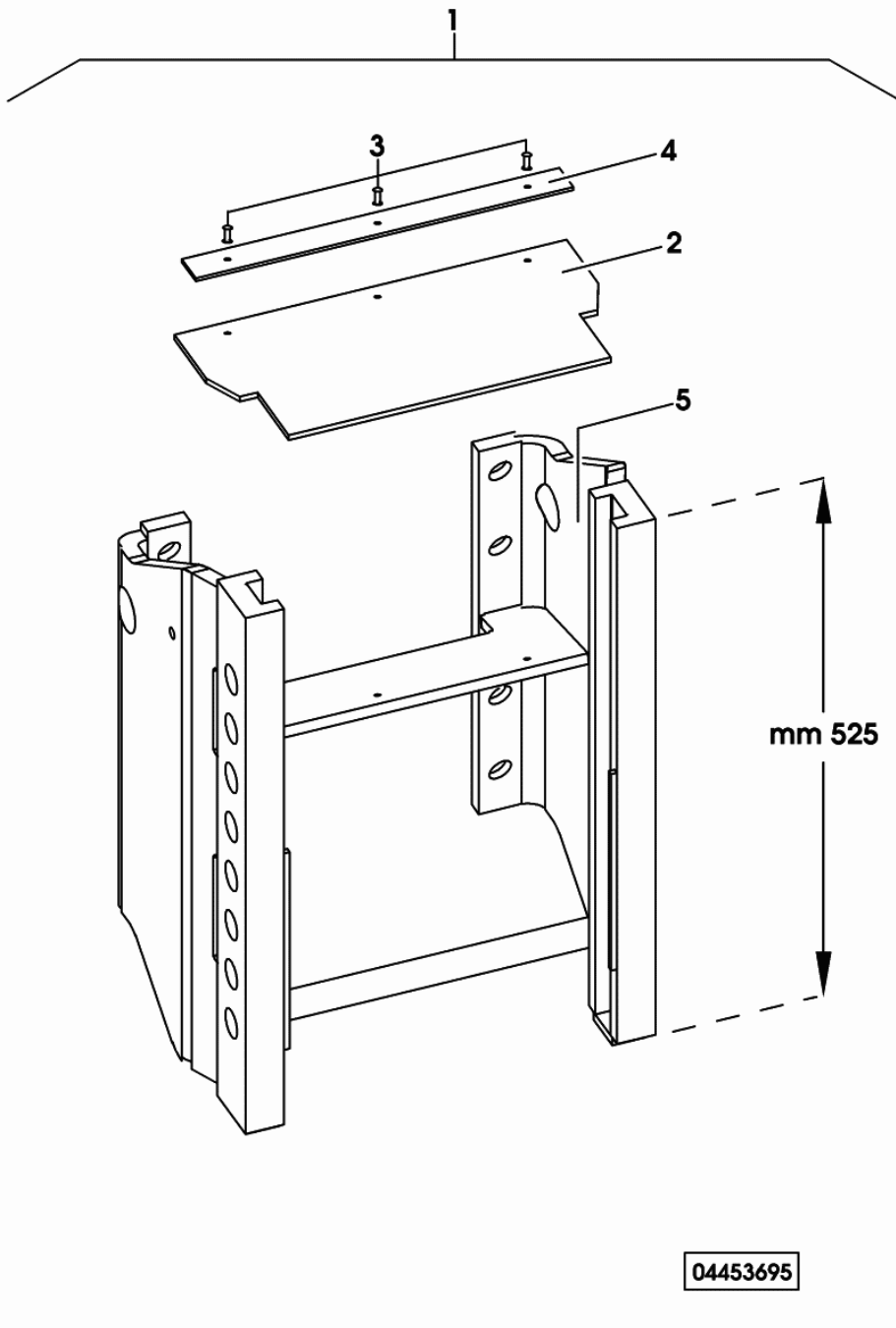
Fig.	Code	QTY	Name
1	04451932	1	clevis SAUERMANN CAT. " C "
4	0.900.0384.1	1	accessories
6	0.900.0384.2	1	accessories
10	0.900.0384.7	1	pin
11	0.900.0384.4	1	lubricator
12	0.900.0384.5	1	plate



04451932

TRAILER STAND - DRAWBAR COUPLING

Fig.	Code	QTY	Name
1	04453695	1	support - SAUERMANN -
2	0.900.0385.0	1	guard
3	0.900.0385.1	3	screw
4	0.900.0385.2	1	plate
5	0.000.0000.1	0	not serviceable

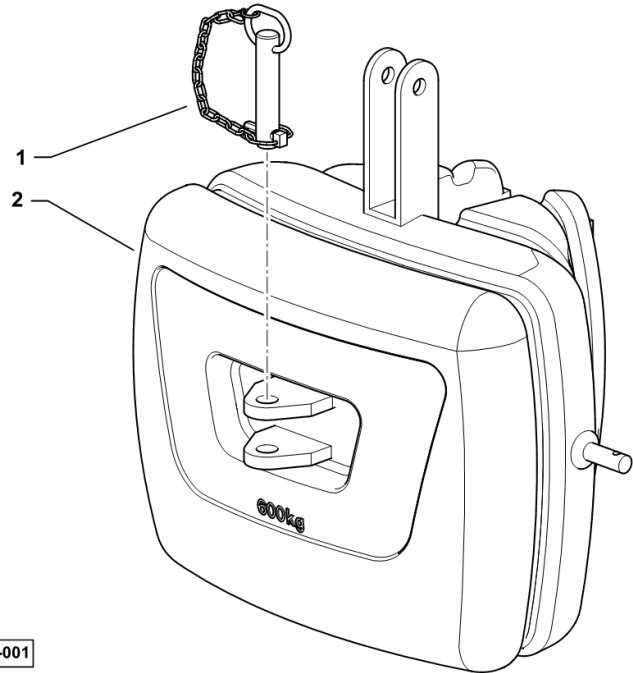


FRONT BALLAST 600 Kg

Fig.	Code	QTY	Name
------	------	-----	------

Notes:
[IRON 100]

1	0.96309.51.3	1	pin Ø 32
2	0.012.9581.3/20	1	ballast

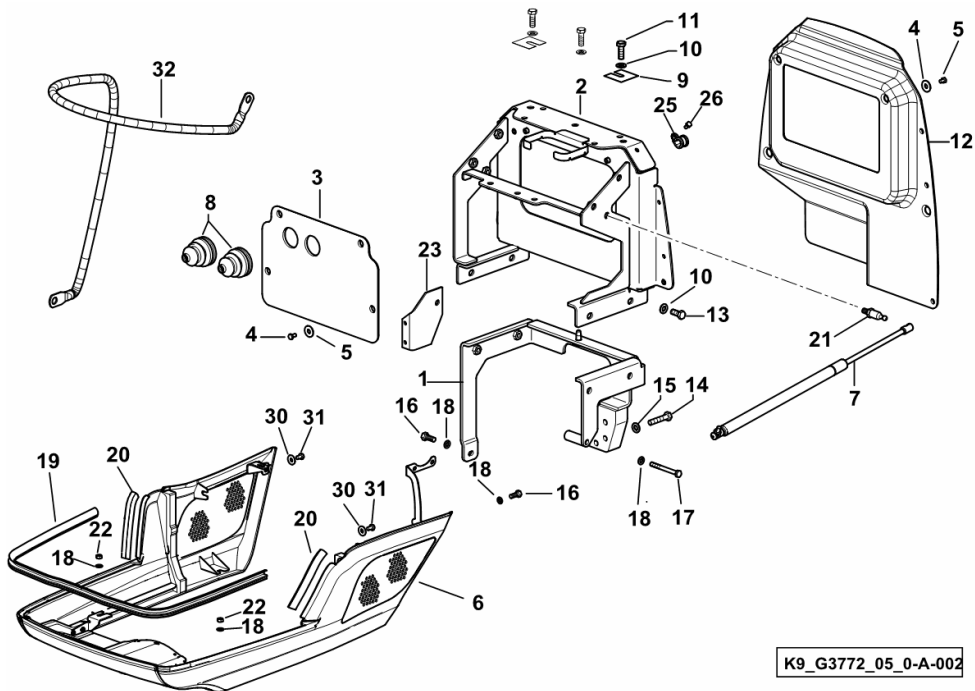


K9_95352_60_0-A-001

HOOD - SUPPORTS

Fig.	Code	QTY	Name
------	------	-----	------

Notes:
[IRON 100] -> 6050



1	0.014.2935.3/60	1	support
2	0.014.1724.3/40	1	support (8003 <-)
2	0.014.1724.3/50	1	support (-> 8004)
3	0.014.3319.0/10	1	cover
4	2.0112.003.2	8	screw m 6 p.1 x 12
5	2.1599.545.2	8	washer 6.5x28x2
6	0.014.3064.4/40	1	casing
7	0.013.1311.4	2	shoch.absorber
8	06547602	2	bellows
9	04452747	2	spacer
10	2.1310.006.2	7	flat washer 10.5
11	2.0112.311.2	3	screw m 10 p.1.5 x 30
12	0.014.3328.0/20	1	shield
13	2.0112.309.2	4	screw m 10 p.1.5 x 25
14	2.0113.319.2	4	screw m 10 p.1.5 x 50
15	2.1475.103.2	4	washer 10.5
16	2.0112.207.2	1	screw m 8 p 1.25 x 20
17	2.0112.223.2	1	screw m 8 p.1.25x70
18	2.1310.004.2	4	flat washer 8.5
19	0.014.4592.0	1	gasket (8011 <-)
19	0.014.4592.0/10	1	gasket (-> 8012)
20	0.014.4049.0	2	gasket
21	04450691	2	cap
22	2.1011.105.2	2	nut m 8 p.1.25
23	04454185/10	1	support
25	2.6859.033.2/10	1	clamp
26	2.0112.005.2	1	screw m 6 p.1 x 16
30	2.1312.004.2	2	washer 8.4
31	2.0112.203.2	2	screw m 8 p.1.25 x 12
32	0.014.1241.0/10	1	crate mm 950

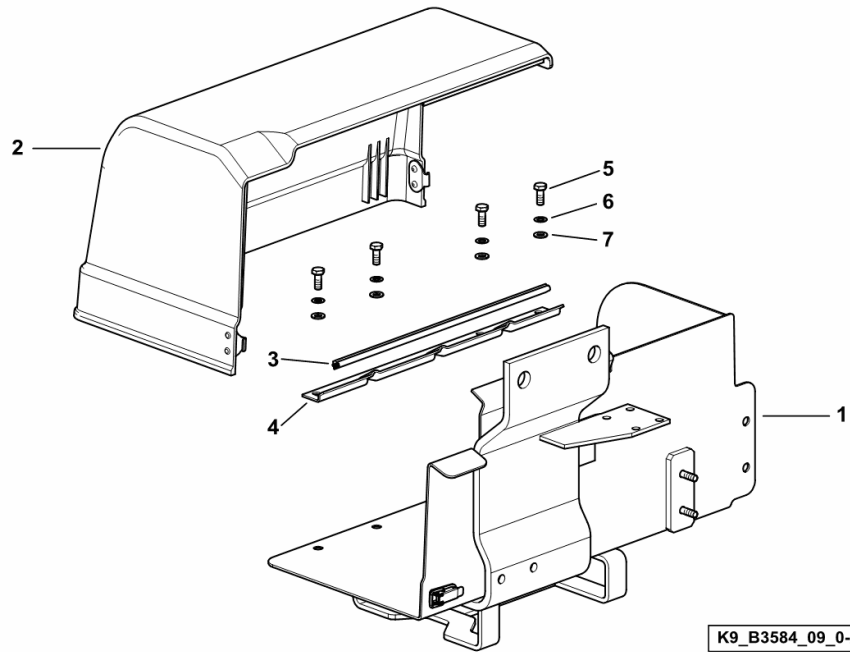
BATTERY SUPPORT

Fig.	Code	QTY	Name
------	------	-----	------

Notes:

[IRON 100] -> 6076

1	0.014.9380.4/10	1	support
2	0.014.9386.4/10	1	cover
3	0.008.3436.0/10	1	crosspiece
4	0.009.1354.0/10	1	gasket mm 360
5	2.0112.207.2	4	screw m 8 p 1.25 x 20
6	2.1470.004.2	4	washer 8
7	2.1310.004.2	4	flat washer 8.5

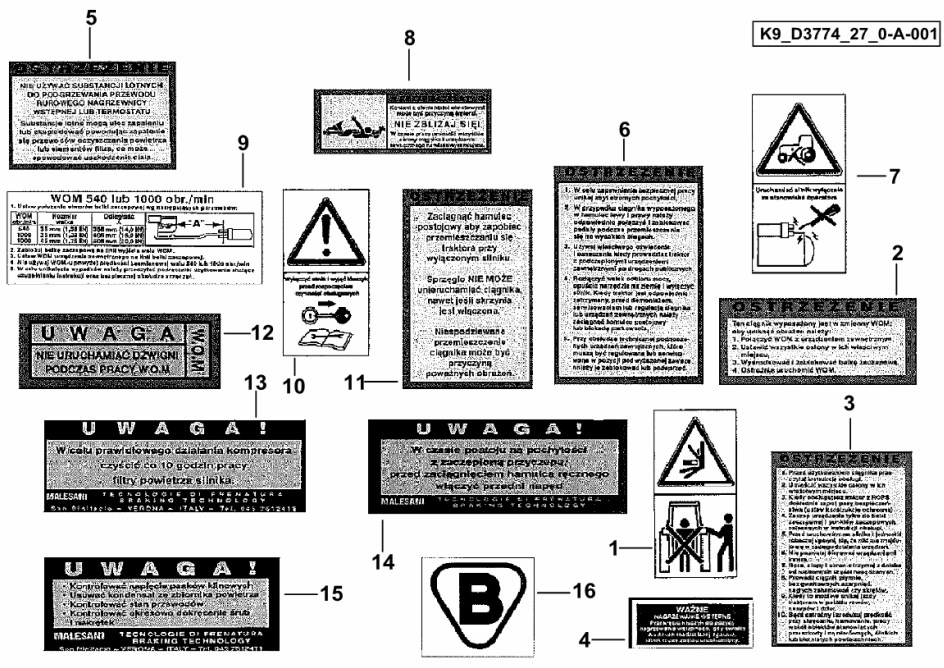


Section: G0 - BODYWORK - CAB
WARNING PLATES EXPORT PL

Fig.	Code	QTY	Name
------	------	-----	------

Notes:
 - EXPORT PL [IRON 100]

1	04416340	1	plate
2	2.9939.002.0	1	plate
3	2.9939.006.0	1	plate
4	2.9939.005.0	1	plate
5	2.9939.004.0	1	plate
6	2.9939.011.0	1	plate
7	2.9939.008.0	1	plate
8	2.9939.010.0	1	plate
9	2.9939.012.0	1	plate
10	2.9939.009.0	1	plate
11	2.9929.996.0	1	plate
12	2.9939.003.0	1	plate
13	2.9929.998.0	1	plate
14	2.9929.997.0	1	plate
15	2.9939.001.0	1	plate
16	2.9929.999.0	1	plate



Section: G0 - BODYWORK - CAB
SPEED LABEL - 50 KM/H - REFLEX

Fig.	Code	QTY	Name
------	------	-----	------

Notes:
[IRON 100]

1	04418917	1	plate 50 Km/h
---	----------	---	---------------



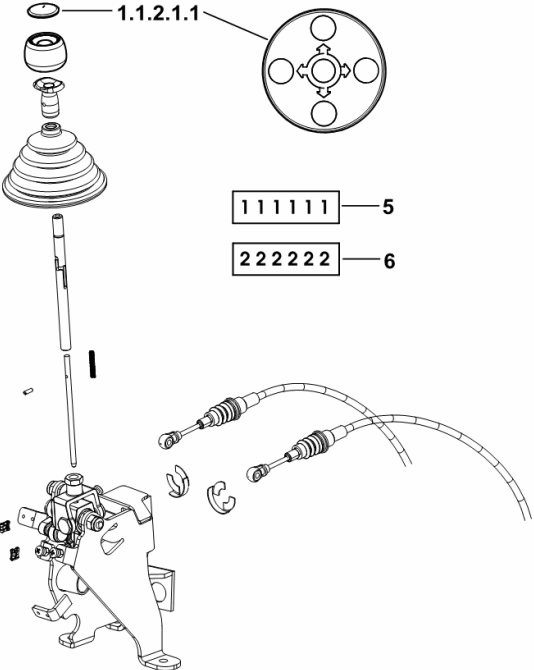
K9_95374_33_0-A-001

NAMEPLATES FOR 4 WAY CONTROL VALVE WITH CREEPER

Fig.	Code	QTY	Name
------	------	-----	------

Notes:
[IRON 100]

1.1.2.1.1	0.014.3772.0	1	cap
5	2.9929.408.0	1	plate 1
6	2.9929.409.0	1	plate 2



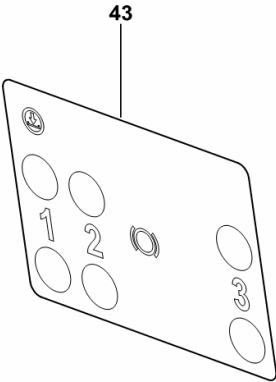
K9_B1688_05_0-B-001

Section: G0 - BODYWORK - CAB
PLATES- FOR 6-WAY DISTRIBUTOR

Fig.	Code	QTY	Name
------	------	-----	------

Notes:
- FOR TYPES WITH MEDIUM HYDRAULIC SYSTEM [IRON 100]

43	04455459	1	autoadesive labels
----	----------	---	--------------------



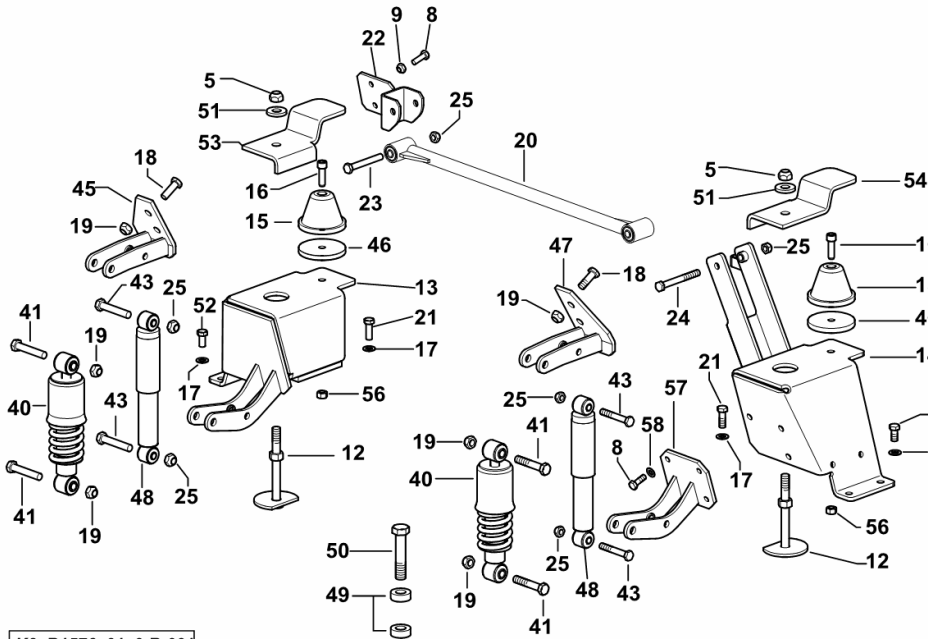
K9_B1988_17_0-B-001

MECHANICAL CAB SUSPENSION - REAR

Fig.	Code	QTY	Name
------	------	-----	------

Notes:
[IRON 100]

5	2.1121.011.2	4	nut m 16
8	2.0112.311.2	9	screw m 10 p.1.5 x 30
9	2.1121.007.2	10	nut m 10 p.1.5
12	0.012.4519.4/10	2	rod m 16
13	0.014.2315.4/50	1	support
14	0.014.2246.4/50	1	support
15	0.011.3290.2/10	2	stopper
16	2.0312.414.2	2	screw m 12 x 40
17	2.1475.004.2	8	washer 12
18	2.0114.515.2	4	screw
19	2.1121.010.2	8	nut m 14 p.2
20	04426843.4/10	1	stabiliser
21	2.0112.413.2	4	screw m 12 p.1.75x35
22	0.014.2082.2	1	support dx/rh/re
23	2.0112.427.2	1	screw m 12 p.1.75 x 90
24	2.0112.430.2	1	screw m 12x105
25	2.1121.008.2	6	nut m 12
40	04426628	2	spring
41	2.0112.524.2	4	screw m 14 p.2 x 75
43	2.0112.424.2	4	screw m 12 p.1.75x75
45	0.014.2316.2/30	1	support
46	0.012.3165.0	2	washer Ø 95 / 12.5
47	0.014.2063.2/30	1	support
48	0.011.2068.4/10	2	shoch.absorber
49	04451293	2	washer
50	2.0113.829.7	1	screw
51	01139580	4	washer 17
52	2.0112.409.2	4	screw m 12 p.1.75 x 25
53	0.014.2322.0/20	1	plate
54	0.014.2080.0/10	1	plate
56	2.1011.107.2	2	nut m 12 p.1.75
57	0.014.3926.2/10	1	support
58	2.1475.003.2	3	washer 10

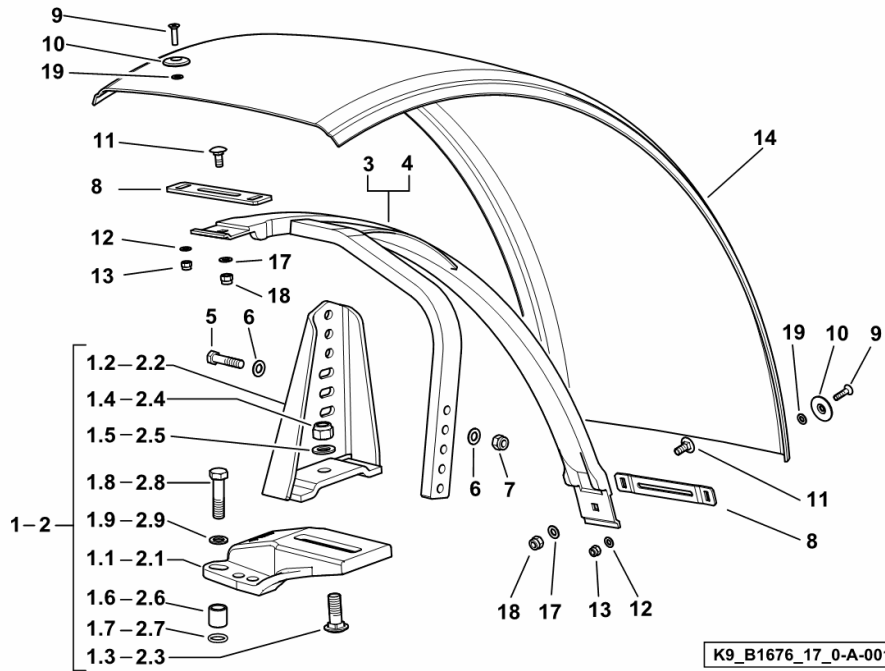


K9_B1576_01_0-B-001

ADJUSTABLE FRONT FENDERS 470 MM

Fig.	Code	QTY	Name
------	------	-----	------

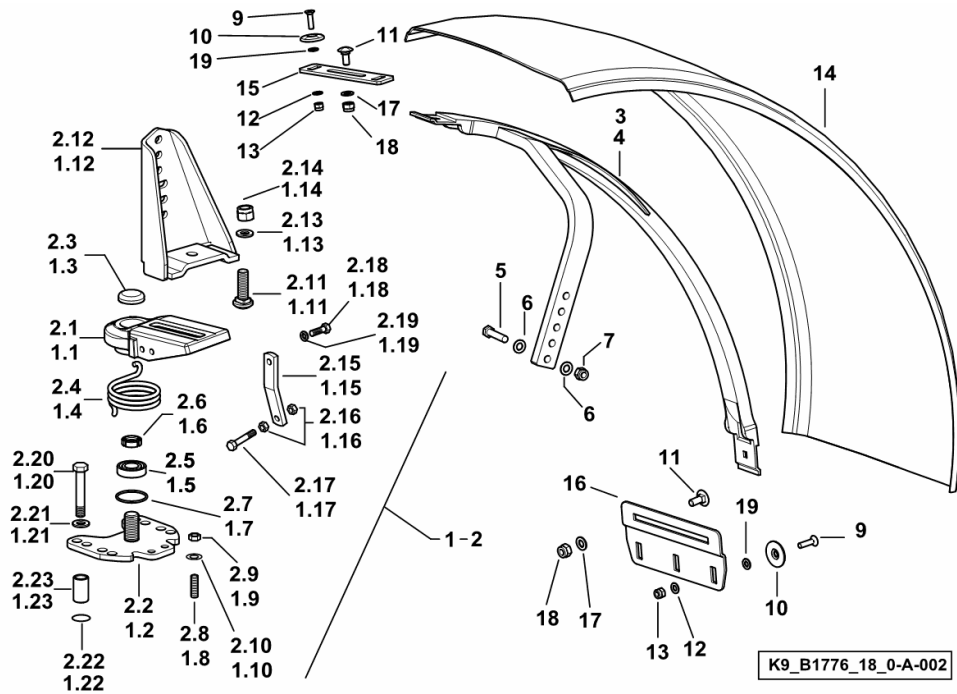
Notes:
[IRON 100] 6031 <-



1	0.014.7119.4/20	1	support
1.1	0.014.7120.0/10	1	bracket
1.2	0.014.4437.3	1	support dx/rh/re
1.3	2.0029.510.2	1	screw m18x50
1.4	2.1120.210.2	1	selflock nut m 18 p.1.5
1.5	2.1310.011.2	1	flat washer 19x34
1.6	2.1549.333.2	4	spacer 19x27x45 (6031 <-)
1.6	2.1549.628.2	4	spacer 19x27x28
1.7	2.1530.033.0	4	'o' ring 13.10x2.62
1.8	2.0112.625.2	4	screw m 16 p.2x80 (6031 <-)
1.8	2.0112.622.2	4	screw m 16 p.2x65
1.9	2.1310.010.2	4	flat washer 16
2	0.014.7121.4/20	1	support
2.1	0.014.7120.0/10	1	bracket
2.2	0.014.4447.3		support sx/lh/li
2.3	2.0029.510.2	1	screw m18x50
2.4	2.1120.210.2	1	selflock nut m 18 p.1.5
2.5	2.1310.011.2	1	flat washer 19x34
2.6	2.1549.333.2	4	spacer 19x27x45 (6031 <-)
2.6	2.1549.628.2	4	spacer 19x27x28
2.7	2.1530.033.0	4	'o' ring 13.10x2.62
2.8	2.0112.625.2	4	screw m 16 p.2x80 (6031 <-)
2.8	2.0112.622.2	4	screw m 16 p.2x65
2.9	2.1310.010.2	4	flat washer 16
3	0.014.7115.2	1	chassis frame dx/rh/re
4	0.014.7118.2	1	chassis frame sx/lh/li
5	2.0112.420.2	4	screw m 12 p.1.75x55
6	2.1475.004.2	8	washer 12
7	2.1120.007.2	4	nut m 12 p.1.75
8	0.014.7124.0	4	plate
9	2.0342.308.6	8	screw m 8 p.1.25 x 30
10	2.1399.016.0	8	washer
11	2.0020.306.2	4	screw m 10 x 25
12	2.1475.002.2	8	conical washer 8
13	2.1120.005.2	8	nut m 8 p.1.25
14	04415575	2	bumpers mm 470
17	2.1475.003.2	4	washer 10
18	2.1120.006.2	4	nut m 10 p.1.5
19	2.1310.004.2	8	flat washer 8.5

SELF-ADJUSTING FRONT FENDERS mm 540

Fig.	Code	QTY	Name
2.15	0.014.7123.0/10	1	plate
2.16	2.1011.108.2	2	nut m 14 p.2
2.17	2.0114.321.2	1	screw m 10 p.1.5x70
2.18	2.0122.361.2	1	screw m 10 p 1.25 x 30
2.19	2.1310.006.2	1	flat washer 10.5
2.20	2.0112.622.2	4	screw m 16 p.2x65
2.21	2.1310.010.2	4	flat washer 16
2.22	2.1530.033.0	4	'o' ring 13.10x2.62
2.23	2.1549.628.2	4	spacer 19x27x28
3	0.014.7115.2	1	chassis frame dx/rh/re
4	0.014.7118.2	1	chassis frame sx/lh/li
5	2.0112.420.2	4	screw m 12 p.1.75x55
6	2.1475.004.2	8	washer 12
7	2.1120.007.2	4	nut m 12 p.1.75
9	2.0349.002.3	10	screw m 8 p.1.25 x 30
10	2.1399.020.0/10	10	washer
11	2.0020.306.2	4	screw m 10 x 25
12	2.1475.002.2	10	conical washer 8
13	2.1120.005.2	10	nut m 8 p.1.25
14	04415576/10	2	fender
15	0.015.1975.0	2	lamination
16	0.015.1976.0	2	lamination
17	2.1475.003.2	4	washer 10
18	2.1120.006.2	4	nut m 10 p.1.5
19	2.1310.004.2	10	flat washer 8.5

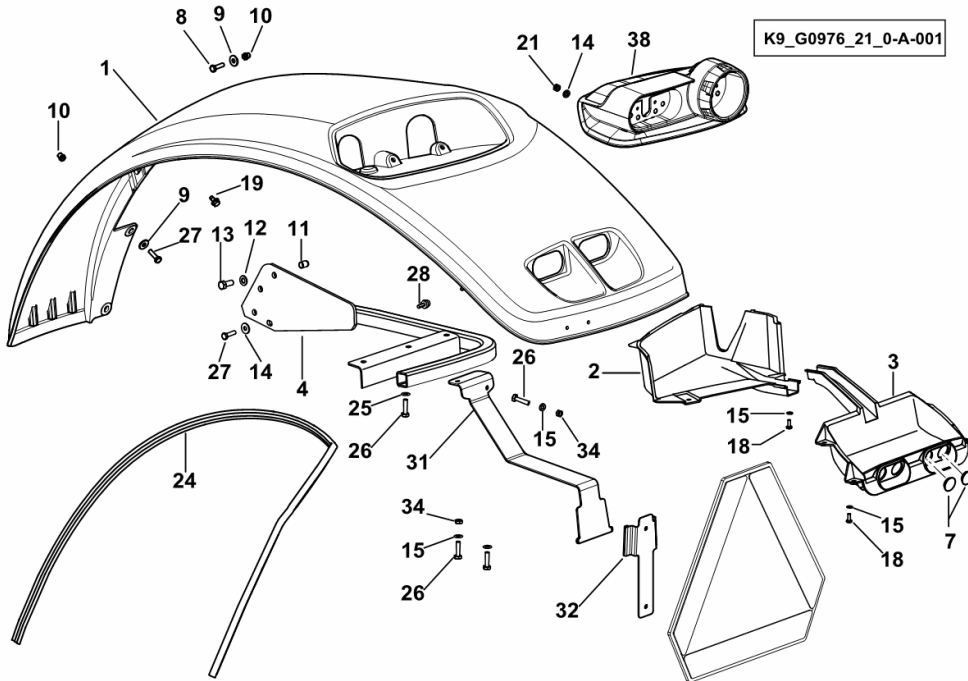


Section: G0 - BODYWORK - CAB
WING REAR - SX/LH/LI

Fig.	Code	QTY	Name
------	------	-----	------

Notes:

- EXPORT U.S.A. [IRON 100]



1	0.014.4146.3/20	1	fender
2	0.013.0985.0/10	1	hood sx/lh/li
3	0.013.0986.0/20	1	cover
4	0.012.1465.2/40	1	support
7	0.009.0210.0/10	2	plug 30 x 38 x 9.0
8	2.0112.209.2	5	screw m 8 p 1.25 x 25
9	2.1312.004.2	7	washer 8.4
10	0.012.9034.0	7	insert m 8
11	2.1142.006.2	3	insert m 10
12	2.1310.006.2	3	flat washer 10.5
13	2.0113.311.2	3	screw m 10 p.1.5 x 30
14	2.1310.004.2	3	flat washer 8.5
15	2.1310.002.2	15	washer 6.6, d125
18	2.0330.406.2	8	screw m 6 p.1.0 x 16
19	2.0365.305.3	1	screw
21	2.1011.105.2	2	nut m 8 p.1.25
24	0.014.4198.0/10	2.13	gasket
25	2.1310.002.2	3	washer 6.6, d125
26	2.0112.007.2	5	screw m 6 p.1 x 20
27	2.0112.209.2	3	screw m 8 p 1.25 x 25
28	0.013.8673.0	1	stopper
31	0.015.0439.0/10	1	support
32	0.015.0446.0	1	support
34	2.1121.003.2	4	selflock nut m 6 p.1
38	0.015.1067.0/10	1	chassis

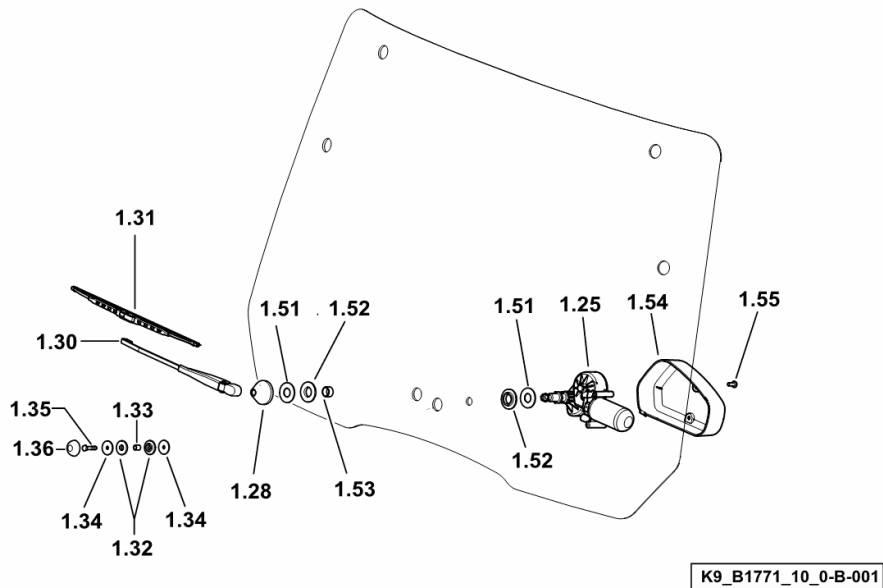
WINDSCREEN WIPER FOR OPENABLE WINDSCREEN 50 Km/h

Fig.	Code	QTY	Name
------	------	-----	------

Notes:

- 50 Km/h [IRON 100]

1.25	2.9019.200.0/10	1	wiper motor
1.28	0.010.4983.0	1	rubber plug
1.30	04413193	1	arm
1.31	0.010.9753.3	1	wiper blade
1.32	0.012.6609.0	2	rubber ring
1.33	2.1549.541.2	1	spacer 7x10x11
1.34	2.1599.545.2	2	washer 6.5x28x2
1.35	2.0112.011.2	1	screw m 6 p.1x30
1.36	0.012.9760.0	1	tube
1.51	2.1599.528.2	2	washer 18x40x2
1.52	2.1569.176.0	2	gasket 20x40x6
1.53	2.1549.566.2	1	spacer 16x20x11
1.54	0.013.4596.0	1	hood
1.55	2.0332.406.3	2	screw m 6 p.1.0 x 16

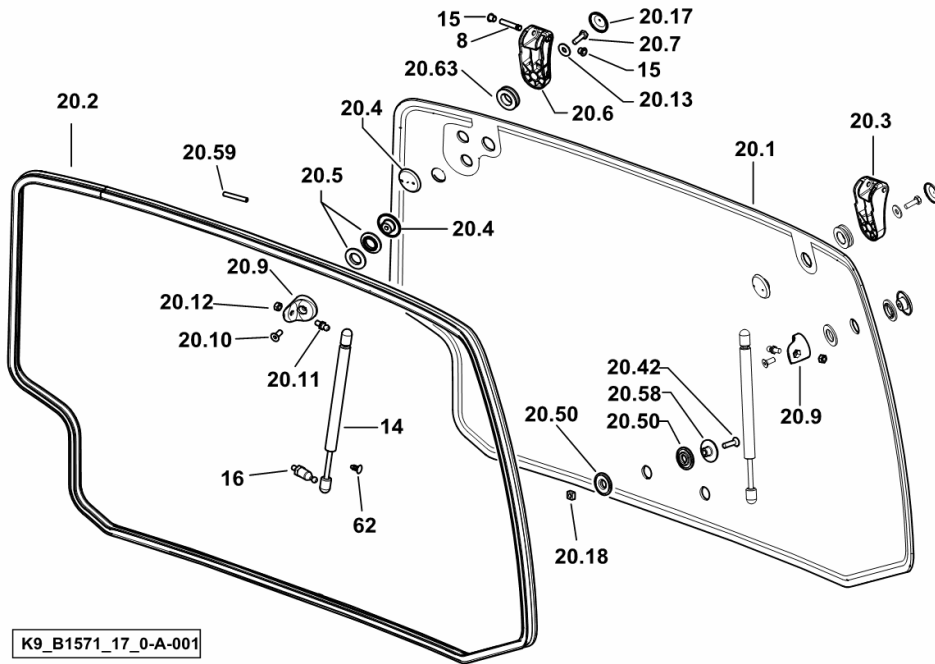


Section: G0 - BODYWORK - CAB
REAR HATCH WITH WIPER

Fig.	Code	QTY	Name
------	------	-----	------

Notes:
 [IRON 100]

8	2.1699.486.2	2	pin
14	0.009.8629.2	2	shoch.absorber mm 405.5
15	2.2841.018.0	4	sleeve
16	04418838	2	ball joint
20.1	0.012.1438.0/30	1	glass
20.2	0.014.3817.0	1	gasket M 3.220
20.3	0.012.6597.0/10	1	hinge
20.4	0.012.6176.2/10	4	washer
20.5	0.012.6178.0	4	gasket
20.6	0.012.6598.0/10	1	hinge
20.7	2.0112.209.2	2	screw m 8 p 1.25 x 25
20.9	0.012.6175.0	2	support
20.10	2.0342.305.3	2	screw m 8 p 1.25 x 20
20.11	04399070	2	ball joint
20.12	2.1011.105.2	2	nut m 8 p.1.25
20.13	2.1312.004.2	2	washer 8.4 (6002 <-)
20.13	2.1579.837.2	2	spacer 8 x 25 x 3 (-> 6003)
20.17	0.012.6180.0	2	cap
20.18	2.1040.105.7	2	nut m 8
20.42	2.0349.002.3	2	screw m 8 p.1.25 x 30
20.50	0.009.0422.0	4	gasket
20.58	2.1499.093.0/10	2	washer 8.5
20.59	04418372	0.05	sealing section
20.63	0.014.9749.0	2	rubber plate
62	2.1899.084.0	2	button 8 x 19



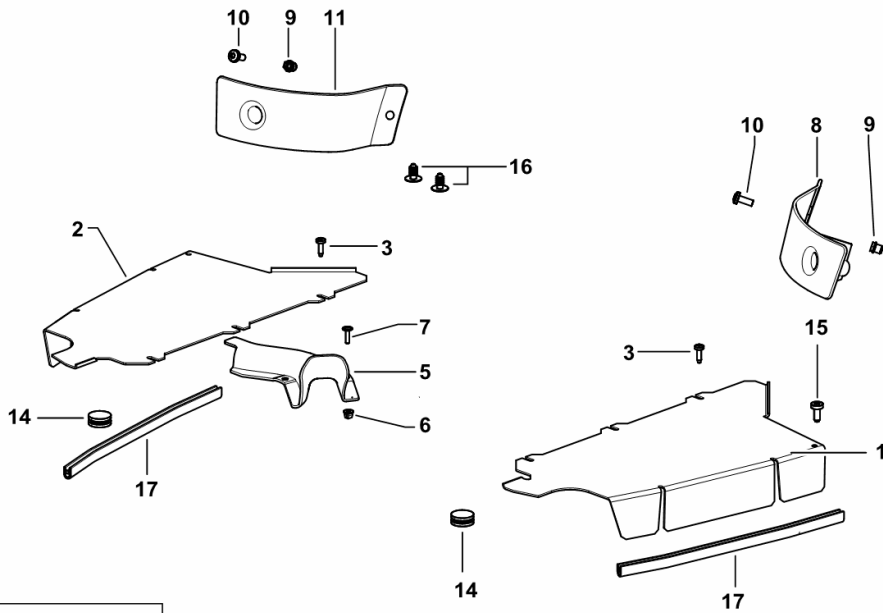
K9_B1571_17_0-A-001

UNDER-MAT PLATES

Fig.	Code	QTY	Name
------	------	-----	------

Notes:
[IRON 100]

1	0.013.0583.0/10	1	plate sx/lh/li
2	0.013.0584.3	1	plate
3	2.0362.207.3	6	screw m 6 x 20
5	0.013.0588.0/10	1	canal
6	2.6999.069.0	3	nut
7	2.0363.207.3	3	screw
8	0.013.0596.0	1	cover
9	0.012.9034.0	4	insert m 8
10	2.0330.507.2	4	screw m 8 p.1.25 x 20
11	0.013.0594.0	1	cover
14	2.3199.325.0	2	plug
15	2.0362.307.3	1	screw m 8 p.1.25 x 20
16	04429415	2	plug
17	0.014.9736.0	2	rubber



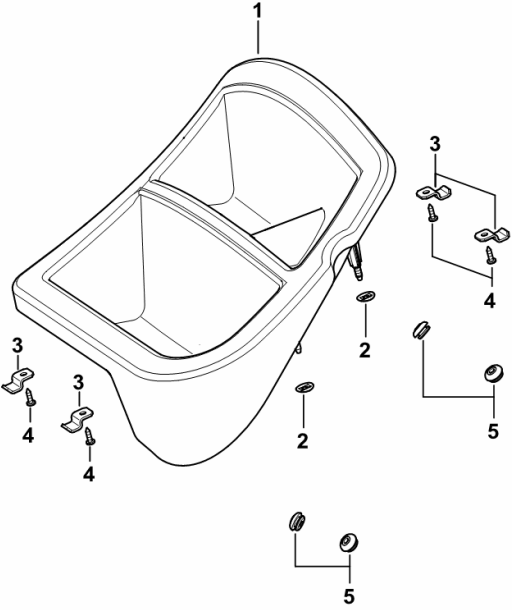
K9_B1571_01_0-A-001

COVER PLATE

Fig.	Code	QTY	Name
------	------	-----	------

Notes:
[IRON 100]

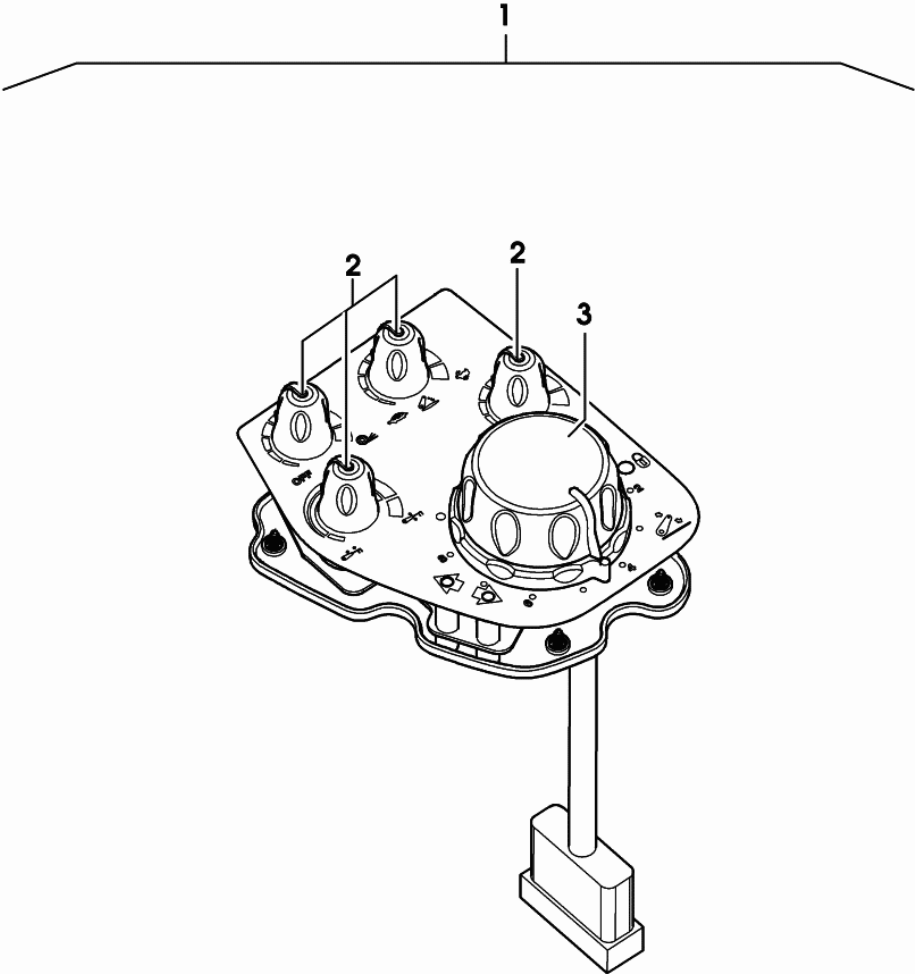
1	0.014.7436.0	1	cover
2	2.6999.053.0	4	small spring
3	0.014.7453.0	4	stop
4	2.0350.254.3	4	screw m 3.5x13
5	2.3199.328.0	4	plug



K9_B1578_07_0-A-001

CONTROL CONSOLE

Fig.	Code	QTY	Name
1	0.013.8345.4/40	1	controller
2	0.900.0049.8	4	knob GREEN
3	0.900.0049.9	1	knob GREEN



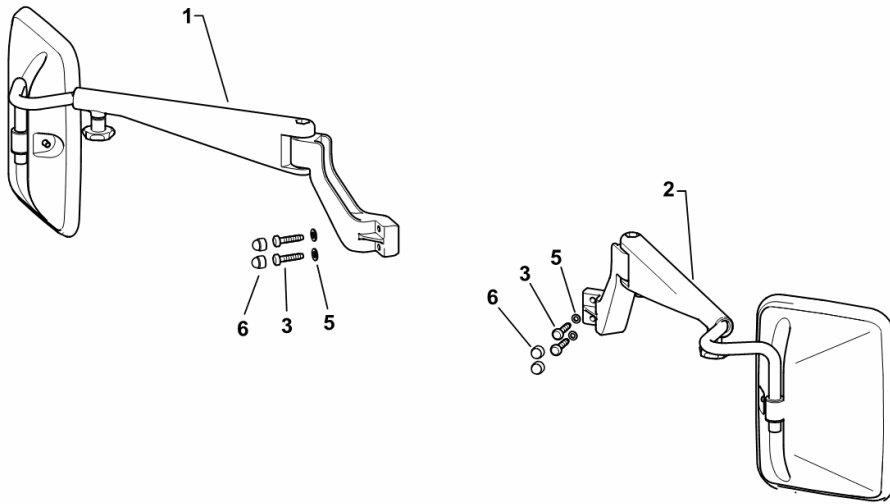
0_013_8345_4_20

REARVIEW MIRROR

Fig.	Code	QTY	Name
------	------	-----	------

Notes:
[IRON 100]

1	0.014.1964.4	1	rear view mirror dx/rh/re ☞ 0.014.1964.4
2	0.014.1966.4	1	rear view mirror sx/lh/li ☞ 0.014.1966.4
3	2.0114.215.2	4	screw m 8 p.1.25 x 40
5	2.1310.004.2	4	flat washer 8.5
6	01174042	4	cap



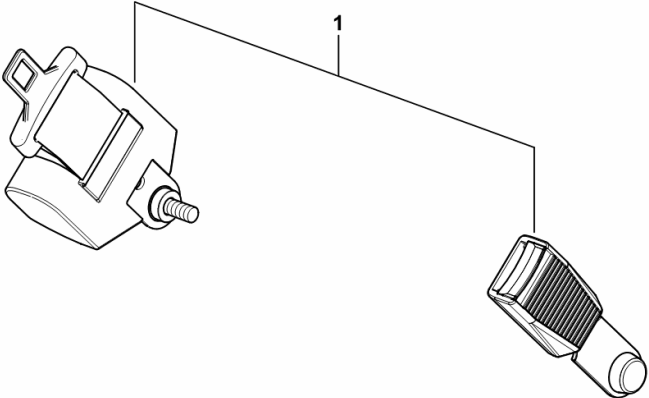
K9_B1671_19_0-A-001

SAFETY BELT

Fig.	Code	QTY	Name
------	------	-----	------

Notes:
[IRON 100]

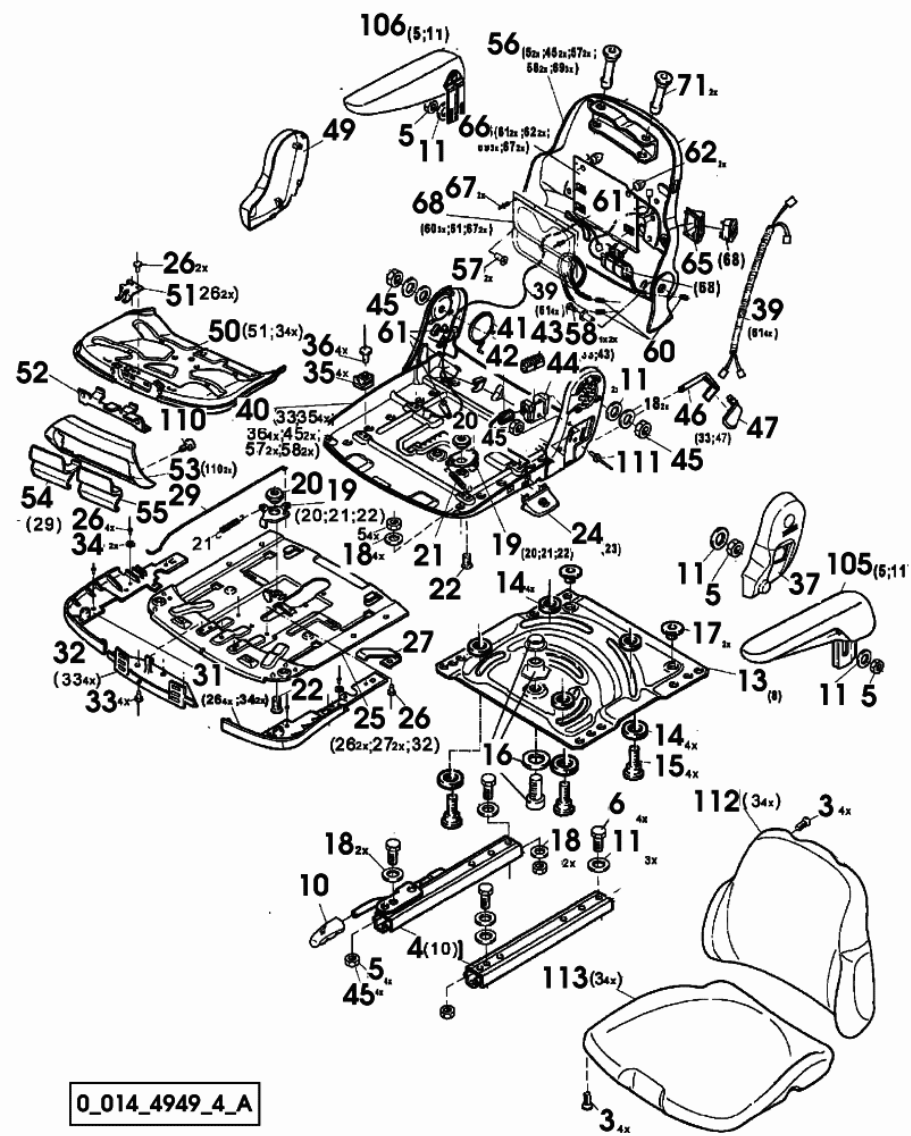
1	0.014.8632.4	1	safety belt
---	--------------	---	-------------



K9_B1575_04_0-A-002

Section: G0 - BODYWORK - CAB
SEAT-COMPONENTS

Fig.	Code	QTY	Name
1	0.000.0000.1	0	not serviceable
3	0.010.3500.2	8	screw m 5
4	0.010.2954.0	1	seat guide
5	0.010.2401.0	10	nut m 8
6	0.010.2405.0	4	pin m 8 x 16
10	0.010.2943.2	1	knob
11	0.010.2945.0	7	washer 8.4
13	0.010.3072.2	1	plate
14	0.009.4371.2	8	shim
15	04418310	4	pin
16	0.010.3517.0	1	screw
17	0.010.3073.0	2	sleeve
18	0.010.3152.0	8	gasket
19	0.010.3071.2	2	lever
20	0.010.3072.1	2	sleeve
21	04350966	2	spring
22	0.010.3509.1	2	screw
24	0.010.3074.0	1	handle
25	0.010.3068.0	1	plate
26	04418973	7	rivet
27	0.010.3068.1	1	super reduction gear
29	0.010.3072.0	1	rod
31	0.010.3069.0	1	hood
32	0.010.3069.1	1	consolle
33	0.010.3511.0	4	rivet
34	0.010.3151.1	2	washer
35	0.010.3068.2	4	support
36	0.010.3540.0	4	rivet
37	0.900.0297.7	1	cover sx/lh/li
39	0.900.0297.8	1	wire
40	0.010.3544.0	1	chassis frame
41	0.900.0370.8	1	small spring
42	0.900.0297.9	1	spring
43	0.900.0298.0	1	stop
44	0.900.0298.1	1	accessories
45	0.010.2948.1	2	nut m 8
46	0.900.0298.2	1	lever
47	0.900.0298.3	1	lever
49	0.900.0298.4	1	cover dx/rh/re
50	0.010.3069.2	1	plate
51	0.010.3070.0	1	lamination
52	0.010.3070.1	1	grille
53	0.010.3070.2	1	cover
54	0.010.3071.0	1	handle dx/rh/re



0_014_4949_4_A

Section: G0 - BODYWORK - CAB
VENTILATION - AIR CONDITIONING

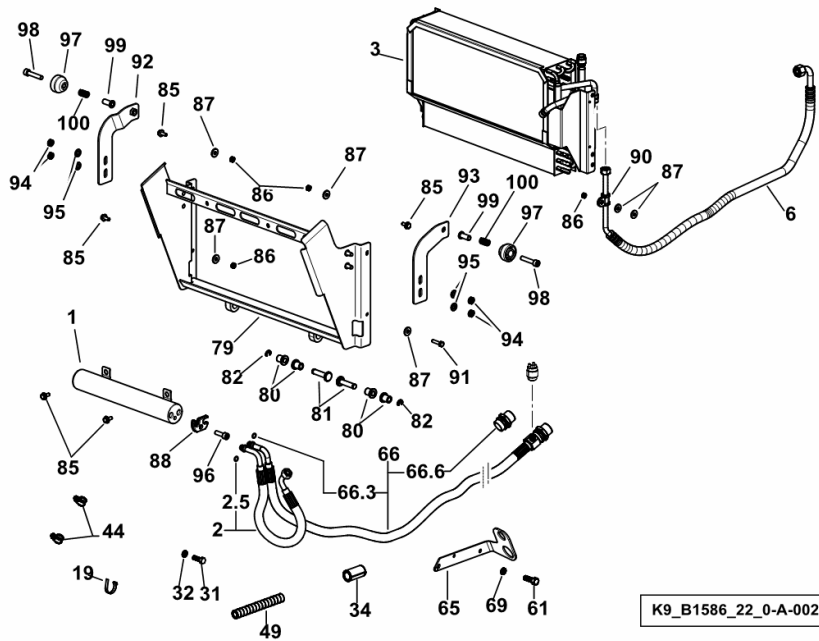
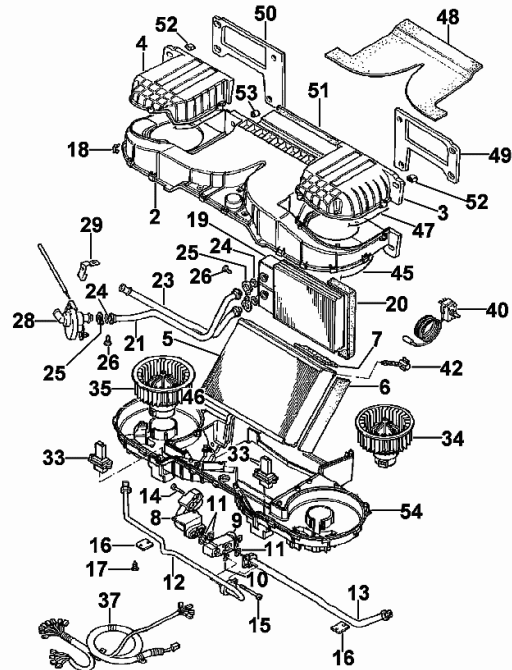


Fig.	Code	QTY	Name
Notes:			
[IRON 100]			
1	0.014.2995.4/30	1	filter R 134a
2	0.014.3263.4/20	1	tube (6002 <-)
2	0.014.3263.4/30	1	tube (-> 6003)
2.5	2.1533.014.0	1	'o' ring 7.65 x 1.78 (6002 <-)
2.5	2.1539.249.0	1	gasket (-> 6003)
3	0.014.4660.3	1	condenser
6	0.014.3279.4/10	1	tube
19	2.6852.203.0	8	clamp 292 x 4.8
31	2.0114.003.2	2	screw m 6 p.1 x 12
32	01103954	2	spring disc
34	04308848	2	stop
44	01220008	3	hose clip B10X20
49	04423679	1	tube
61	2.0114.205.2	2	screw m 8 p.1.25 x 16
65	04454183/10	1	support
66	0.014.3262.4/10	1	tube (6002 <-)
66	0.014.3262.4/20	1	tube (-> 6003)
66.3	2.1533.014.0	1	'o' ring 7.65 x 1.78 (6002 <-)
66.3	2.1539.249.0	1	gasket (-> 6003)
66.6	0.014.4924.4	1	coupling (6002 <-)
66.6	0.014.4924.4	1	coupling (-> 6003)
69	2.1310.004.2	3	flat washer 8.5
79	0.014.2848.3/20	1	support (6051 <-)
79	0.014.2848.3/40	1	chassis frame (-> 6053)
80	2.1559.147.0	4	bushing 10 x 28 x 18
81	0.014.4027.0	2	pin
82	2.1430.009.2	2	ring 8
85	2.0129.065.0	5	screw m 6 x 14
86	2.1012.103.7	4	nut m 6 p.1
87	2.1312.003.2	6	washer 6
88	0.015.4226.0/20	1	spacer
90	2.6839.055.0	1	clamp Ø 11 / 20
91	2.0112.009.2	1	screw m 6 p.1 x 25
92	0.014.4410.3/10	1	bracket dx/rh/re (-> 6001)
93	0.014.4411.3/10	1	bracket sx/lh/li (-> 6001)
94	2.1120.005.2	4	nut m 8 p.1.25
95	2.1310.004.2	4	flat washer 8.5
96	2.0312.208.2	1	screw m 8 p.1.25 x 25
97	0.014.4770.0/10	2	knob (-> 6001)
98	2.0312.214.2	2	screw m 8 p.1.25 x 40
99	0.014.4769.0/10	2	bushing

Section: G0 - BODYWORK - CAB
VENTILATION - AIR CONDITIONING



0_013_5753_4_10

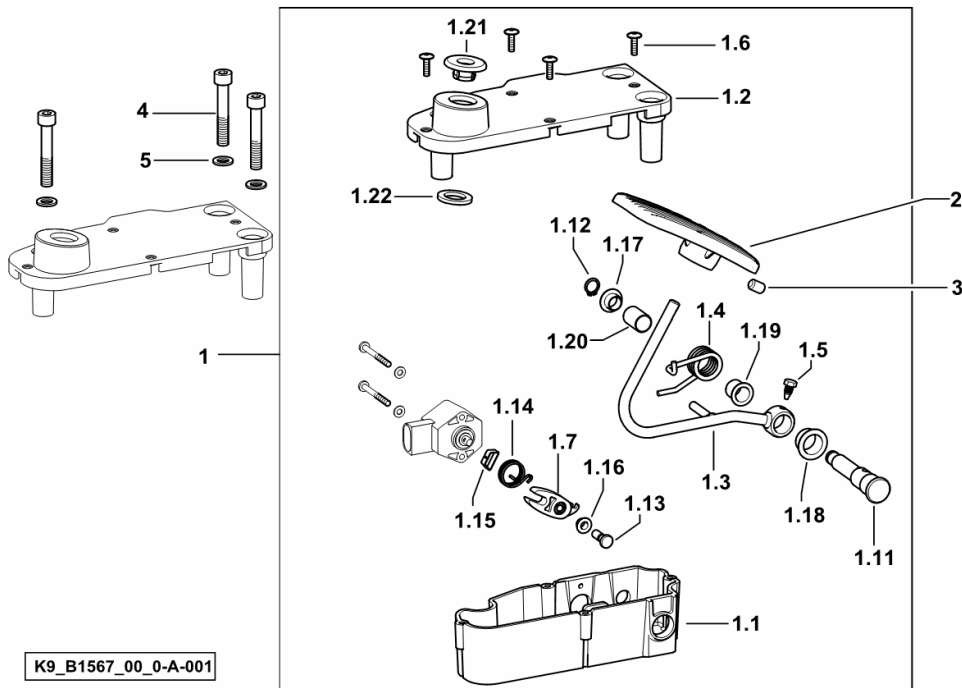
Fig.	Code	QTY	Name
1	0.013.5753.4/10	1	air condition.system
2	0.900.0036.7	1	half box
3	0.900.0033.9	1	cover dx/rh/re
4	0.900.0034.0	1	cover sx/lh/li
5	0.900.0036.8	1	radiator
6	0.900.0036.9	1	gasket
7	0.900.0037.0	1	gasket
8	0.900.0037.1	1	valve
9	0.900.0037.2	1	valve R 134a
10	0.900.0037.3	1	ring
11	0.900.0037.4	3	ring
12	0.900.0037.5	1	tube
13	0.900.0037.6	1	tube
14	0.900.0037.7	2	screw 5x25
15	0.000.0000.1	0	not serviceable
16	0.900.0037.8	3	small plate
17	0.000.0000.1	0	not serviceable
18	0.010.2541.2	10	small spring
19	0.900.0941.5	1	radiator
20	0.900.0941.6	1	gasket
21	0.900.0034.3	1	tube
23	0.900.0034.4	1	tube
24	0.900.0034.5	3	ring
25	0.900.0034.6	3	small spring
26	0.900.0034.7	3	screw 4 x 10
28	0.900.0034.9	1	cock or tap
29	0.900.0941.7	1	bracket
33	0.010.2555.0	2	resistance
34	0.900.0035.3	1	rotor blade dx/rh/re - WHITE
35	0.900.0035.4	1	rotor blade sx/lh/li - GREEN
37	0.900.0035.5	1	wire
40	0.900.0037.9	1	thermostat
42	0.900.0038.0	1	small spring
45	0.900.0035.6	1	gasket
46	0.900.0035.7	1	gasket
47	0.900.0035.8	1	gasket
48	0.900.0035.9	1	gasket
49	0.900.0036.0	1	gasket dx/rh/re
50	0.900.0036.1	1	gasket sx/lh/li
51	0.900.0036.2	2	gasket
52	0.900.0036.3	4	bushing
53	0.900.0036.4	4	bushing

CONTROL PEDAL FOR ELECTRONIC THROTTLE

Fig.	Code	QTY	Name
------	------	-----	------

Notes:
[IRON 100]

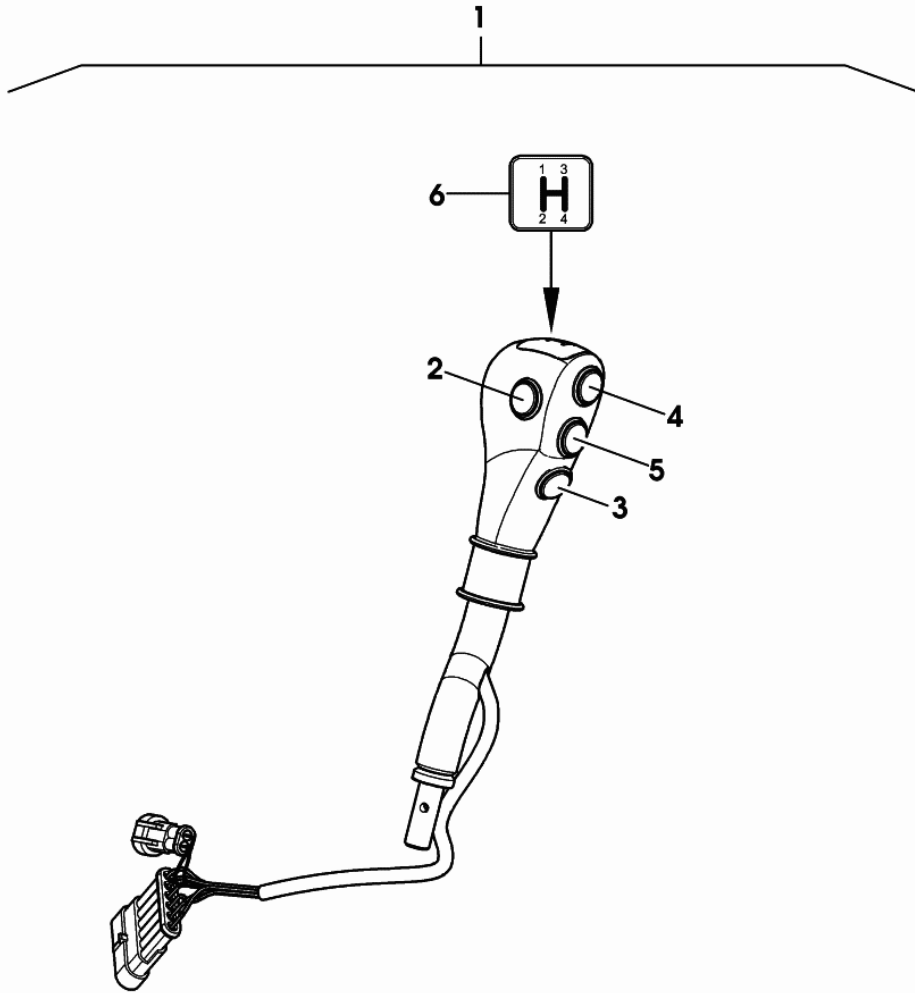
1	0.013.0762.4/40	1	accelerator
1.1	0.010.8694.2/30	1	box
1.2	0.012.6572.0	1	cover
1.3	0.010.8699.2/30	1	lever
1.4	2.4099.115.2/30	1	spring
1.5	2.0399.272.2	1	screw m 5
1.6	2.0363.105.2	4	screw m 4
1.7	0.011.6578.0	1	lever
1.11	0.011.6028.0/10	1	pin
1.12	2.1410.001.1	1	circlip 10
1.13	2.1699.492.2/20	1	pin
1.14	2.4099.134.2	1	spring
1.15	0.011.3791.0	1	small spring
1.16	2.2841.010.0	1	bushing 6x8x6
1.17	2.2841.034.0	1	bushing 10x12x7
1.18	2.2841.071.0	1	bushing 16x18x12
1.19	2.2841.043.0	1	bushing 12 x 14 x 15
1.20	2.2840.042.0	1	bushing 12x14x20
1.21	0.011.9149.0	1	plug
1.22	0.011.8709.0	1	washer
2	0.014.1238.2	1	accel. pedal
3	2.0512.204.7	1	grain m 8 p.1.25 x 12
4	2.0312.216.2	3	screw m 8 p.1.25x50
5	2.1474.009.2	3	spring washer 8



K9_B1567_00_0-A-001

TRANSMISSION CONTROL LEVERS

Fig.	Code	QTY	Name
1	0.014.4950.4	1	gear lever
2	0.900.0383.0	1	push-button
3	0.900.0459.6	1	switch
4	0.900.0459.7	1	switch
5	0.900.0459.8	1	switch
6	0.900.0459.9	1	number plate



0_014_4950_4

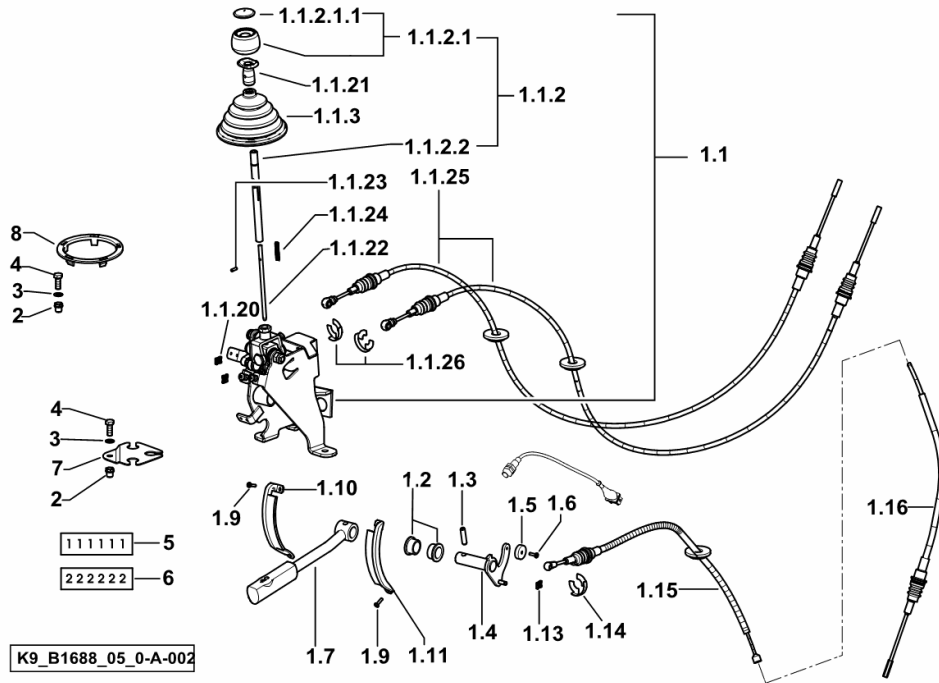
LEVER FOR 4-WAY CONTROL VALVE WITH CREEPER

Fig.	Code	QTY	Name
------	------	-----	------

Notes:

[IRON 100] -> 6016

1.1	0.014.3973.4	1	controller
1.1.2	0.014.3854.3	1	lever
1.1.2.1	0.014.3853.3	1	button
1.1.2.1.1	0.014.3772.0	1	cap
1.1.2.2	0.014.3852.0	1	rod
1.1.3	0.014.3740.0	1	bellows
1.1.20	01175725	2	small spring 6, d128
1.1.21	04411645	1	support
1.1.22	0.014.3855.0	1	dipstick
1.1.23	2.0599.104.2	1	grain
1.1.24	04426194	1	spring
1.1.25	0.014.4683.3	2	rod
1.1.26	04418159	2	circlip
1.2	04413063	2	bushing
1.3	2.1630.713.2	1	pin 8x32
1.4	0.013.0579.3/10	1	operation
1.5	04365126	1	magneto
1.6	2.0332.205.2	1	screw m 4x0.7x14
1.7	0.013.0589.4/10	1	lever
1.9	2.0362.005.2	4	screw m4x15
1.10	0.013.9016.2	1	brush
1.11	0.013.9019.2	1	brush
1.13	01175725	1	small spring 6, d128
1.14	04418159	1	circlip
1.15	0.014.9283.3	1	rod
1.16	0.014.9291.3	1	rod
2	0.012.9034.0	4	insert m 8
3	2.1470.004.2	4	washer 8
4	2.0112.208.2	4	screw m 8 p.1.25 x 22
5	2.9929.408.0	1	plate 1
6	2.9929.409.0	1	plate 2
7	0.013.3401.0	1	bracket
8	0.013.4911.0	1	ring



IRON 100

L0 - ELECTRIC AL SYSTEM

BATTERY - ALTERNATOR

BATTERY 12V 143Ah.....	L0.01.0 (1)
BATTERY 12v 150Ah 660A.....	L0.01.1 (1)
BATTERY 12V 170/180Ah.....	L0.01.2 (1)
BATTERY 12V 180Ah 800A.....	L0.01.3 (1)

WIRING LOOMS

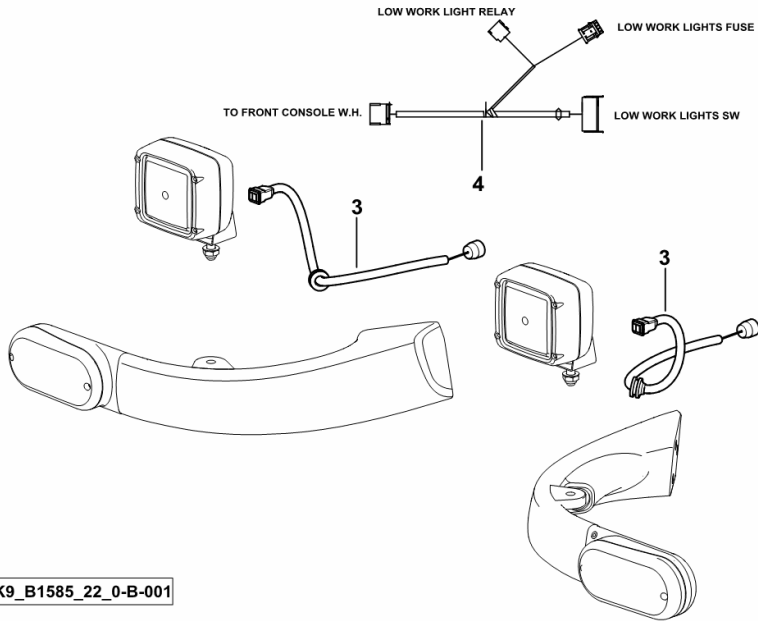
HEADLIGHTS / HORN WIRING.....	L0.02.4 (1)
HEADLIGHTS / HORN WIRING.....	L0.02.5 (1)
BONNET LIGHTS ELECTRICAL SYSTEM.....	L0.02.16 (1)
CABLE WORKING SPOTLIGHT FRONT.....	L0.02.17 (1)
SIDE LIGHT WIRING.....	L0.02.18 (1)
SIDE LIGHT WIRING.....	L0.02.19 (1)
ELECTRICAL EQUIPMENT ROTARY WARN. LAMP.....	L0.02.20 (1)
TOP LIGHTS WIRING.....	L0.02.21 (1)
CABLE WORKING SPOTLIGHT REAR ROOF.....	L0.02.22 (1)
WORKING LIGHTS ELECTRIC SYSTEM.....	L0.02.23 (1)
ELECTRICAL EQUIPMENT ENGINE.....	L0.02.25 (1)
ELECTRICAL EQUIPMENT ENGINE.....	L0.02.25 (2)
ENGINE ELECTRICAL SYSTEM.....	L0.02.26 (1)
GEARBOX ELECTRICAL SYSTEM.....	L0.02.27 (1)
GEARBOX ELECTRICAL SYSTEM.....	L0.02.28 (1)
ELECTRICAL SYSTEM.....	L0.02.29 (1)
ELECTRICAL SYSTEM.....	L0.02.30 (1)
ELECTRICAL SYSTEM - ROOF.....	L0.02.31 (1)
BATTERY LEADS.....	L0.02.32 (1)
ALTERNATOR CABLE.....	L0.02.33 (1)
SUPPORT FOR FUSE BOX.....	L0.02.35 (1)
REAR MUDGUARDS ELECTRICAL SYSTEM.....	L0.02.36 (1)
WIRING FOR WINDSCREEN WIPER MOTOR WITH OPENABLE WINDSCREEN.....	L0.02.37 (1)
WIRING FOR WINDSCREEN WIPER MOTOR.....	L0.02.38 (1)
WIRING FOR WINDSCREEN WIPER MOTOR.....	L0.02.39 (1)
WIRING FOR WINDSCREEN WIPER MOTOR WITH OPENABLE WINDSCREEN 50 Km/h.....	L0.02.40 (1)
PRE-HEATING RELAY.....	L0.02.41 (1)
TRAILER SOCKET-OUTLET.....	L0.02.42 (1)
ISO 11786 SOCKET FOR ELECTRONIC EQUIPMENT.....	L0.02.43 (1)
ELECTRICAL WIRING AND ISO 11786 SOCKET.....	L0.02.44 (1)
ELECTR. EQUIPMENT - SPRUNG FRONT AXLE.....	L0.02.45 (1)
ELECTR. EQUIPMENT - SPRUNG FRONT AXLE.....	L0.02.47 (1)
ELECTR. EQUIPMENT - SPRUNG FRONT AXLE.....	L0.02.49 (1)
ELECTRICAL SYSTEM FOR CONTROL VALVES.....	L0.02.57 (1)
ELECTRICAL SYSTEM FOR CONTROL VALVES.....	L0.02.58 (1)

CABLE WORKING SPOTLIGHT FRONT

Fig.	Code	QTY	Name
------	------	-----	------

Notes:
[IRON 100]

3	0.014.0002.4	2	electrical system
4	0.014.1874.4/20	1	electrical system

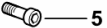
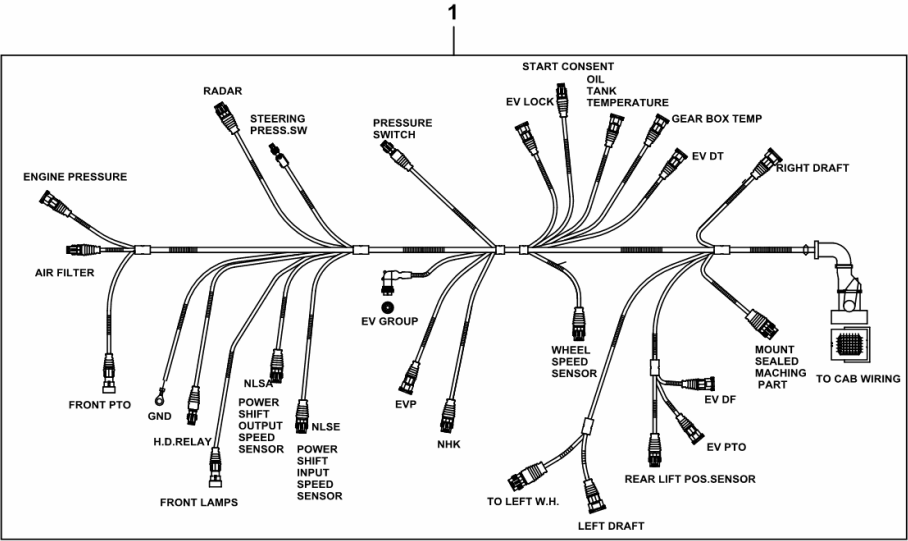


Section: L0 - ELECTRIC AL SYSTEM
GEARBOX ELECTRICAL SYSTEM

Fig.	Code	QTY	Name
------	------	-----	------

Notes:
- EXPORT U.S.A. [IRON 100]

1	0.013.9307.4/70	1	electrical system
5	2.0312.208.2	1	screw m 8 p.1.25 x 25



K9_B1684_04_0-A-001

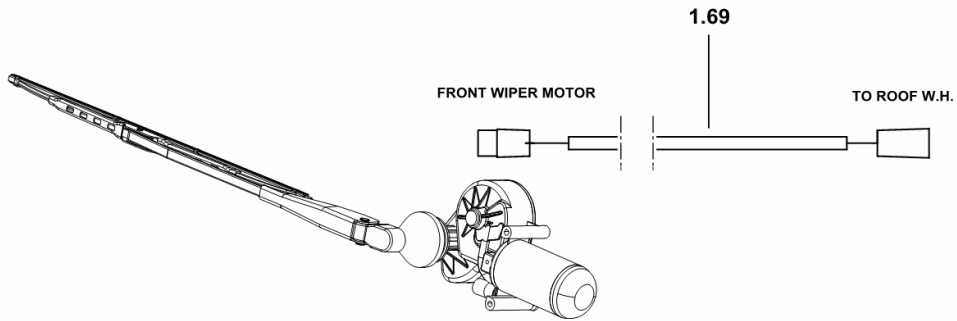
WIRING FOR WINDSCREEN WIPER MOTOR WITH OPENABLE WINDSCREEN 50 Km/h

Fig.	Code	QTY	Name
------	------	-----	------

Notes:

- 50 Km/h [IRON 100]

1.69	0.014.1567.4/10	1	cabl
------	-----------------	---	------



K9_B1771_10_0-C-001

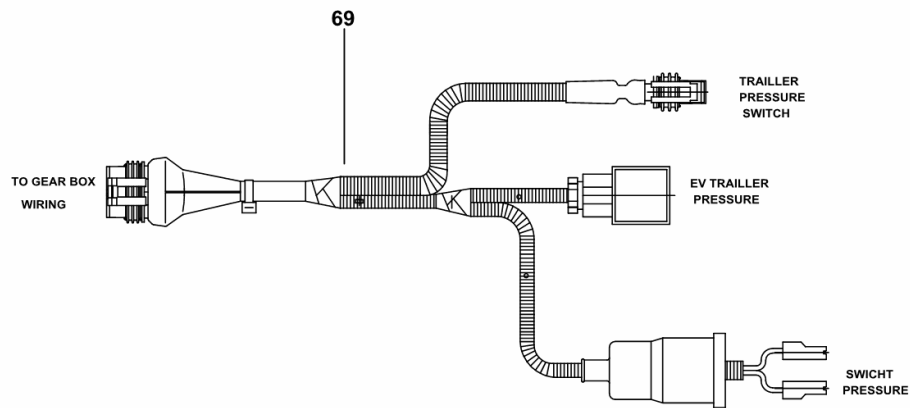
WIRING FOR HYDRAULIC TRAILER BRAKING - FOR TYPES WITH 8-WAY DIRECTIONAL CONTROL VALVE - ITALY

Fig.	Code	QTY	Name
------	------	-----	------

Notes:

- FOR TYPES WITH HYDRAULIC TRAILER BRAKING (ITALY) [IRON 100]

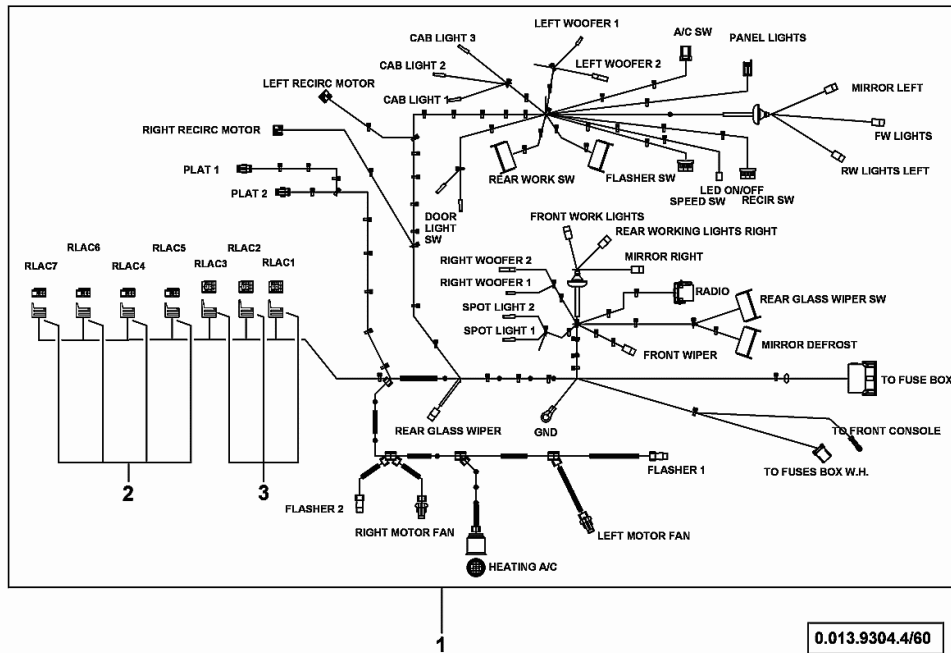
69	04437356.4/10	1	electrical system
----	---------------	---	-------------------



K9_B1789_10_0-D-001

Section: L0 - ELECTRIC AL SYSTEM
ELECTRICAL SYSTEM

Fig.	Code	QTY	Name
1	0.013.9304.4/60	1	electrical system
2	0.900.1289.1	4	relay 15A . 20A
3	0.900.0904.8	3	relay 12V - 30A

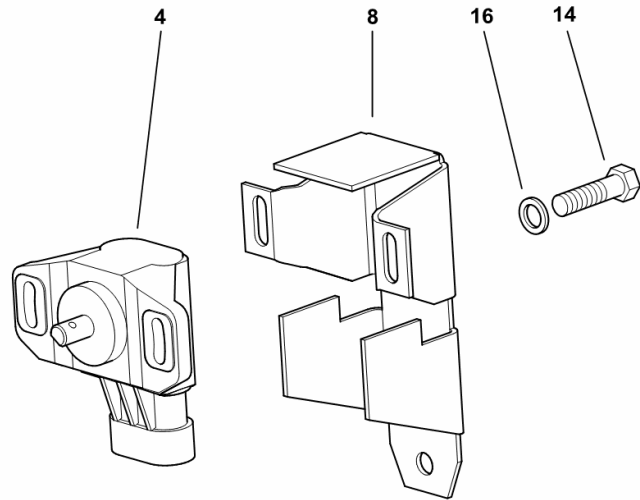


Section: L0 - ELECTRIC AL SYSTEM
REAR LIFT POSITION SENSOR

Fig.	Code	QTY	Name
------	------	-----	------

Notes:
 [IRON 100]

4	04438667.0	1	position sensor
8	04422886	1	lamination
14	01123745	2	screw
16	2.1310.028.2	2	flat washer 4



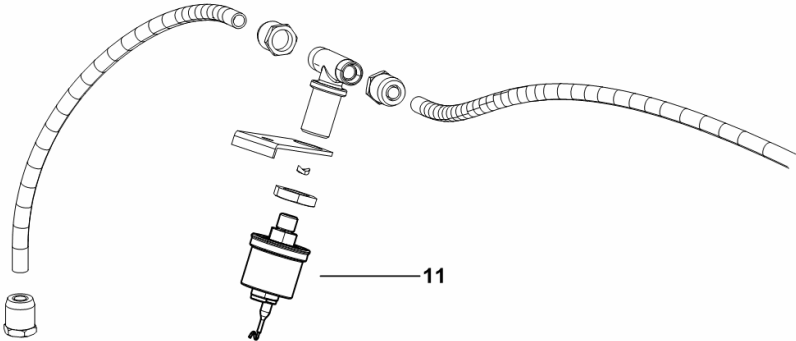
K9_A3959_61_0-B-001

PRESSURE SWITCH FOR AIR BRAKING SYSTEM

Fig.	Code	QTY	Name
------	------	-----	------

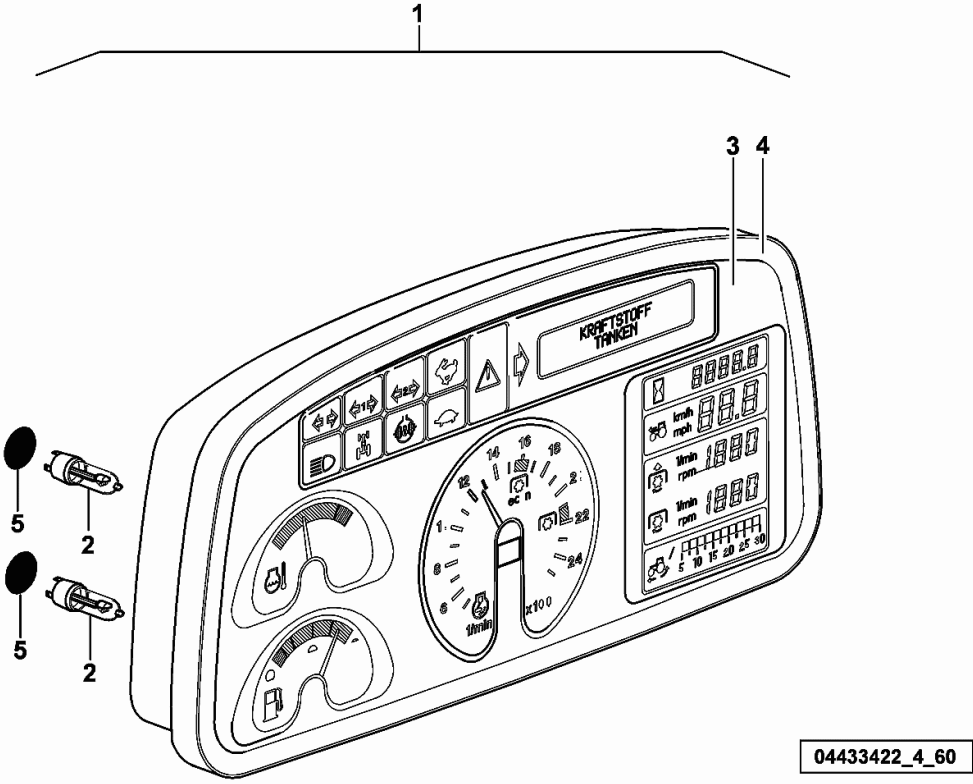
Notes:
[IRON 100]

11	0.011.9428.0	1	pressure switch
----	--------------	---	-----------------



ELECTRIC REV-HOUR RECORDER TACHOMETER

Fig.	Code	QTY	Name
1	04433422.4/60	1	instrument holder
2	0.900.0392.0	2	lamp
3	0.900.0392.1	1	glass
4	0.900.0392.2	1	frame
5	0.900.0392.3	3	plug



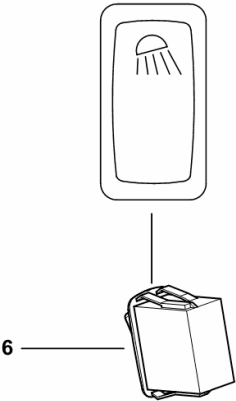
04433422_4_60

WORKLIGHTS SWITCH

Fig.	Code	QTY	Name
------	------	-----	------

Notes:
[IRON 100]

6	0.012.5954.4	1	switch
---	--------------	---	--------



K9_B1571_30_0-B-001

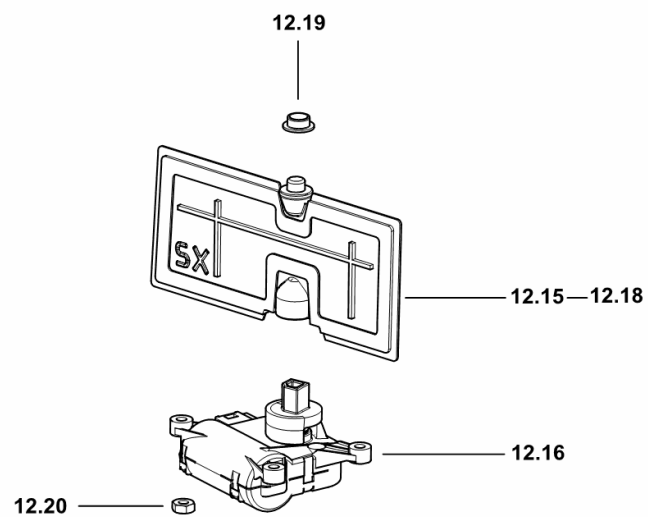
AIR RECIRCULATION MOTOR

Fig.	Code	QTY	Name
------	------	-----	------

Notes:

WITH HATCH [IRON 100] -> 6055

12.15	0.013.2144.2	1	cover dx/rh/re
12.16	0.013.2142.0	2	fan motor
12.18	0.013.2143.2	1	cover sx/lh/li
12.19	2.2841.015.0	2	sleeve
12.20	2.1011.101.2	6	nut m 4 p.0.7



K9_G0871_21_0-E-001

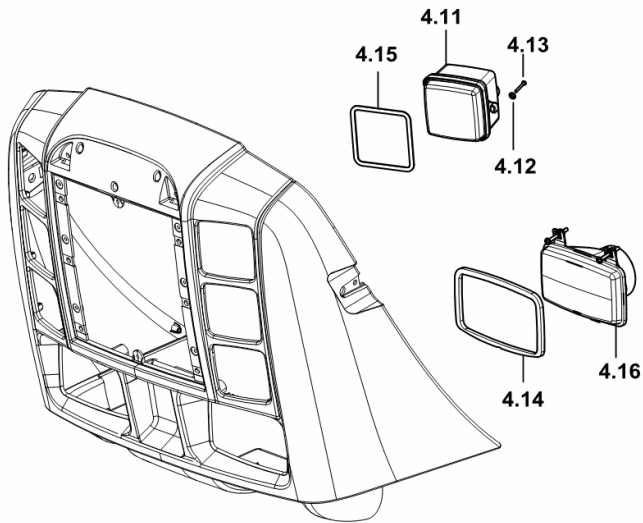
FRONT LIGHTS

Fig.	Code	QTY	Name
------	------	-----	------

Notes:

- FOR LEFT-HAND DRIVE [IRON 100]

4.11	2.8039.160.0	6	worklamp ☞ 2.8039.160.0
4.12	2.1310.028.2	18	flat washer 4
4.13	2.0332.108.2	18	screw m 3x25
4.14	0.013.0097.0	2	gasket
4.15	04436715	6	gasket
4.16	2.8039.250.0	2	headlight ☞ 2.8039.250.0



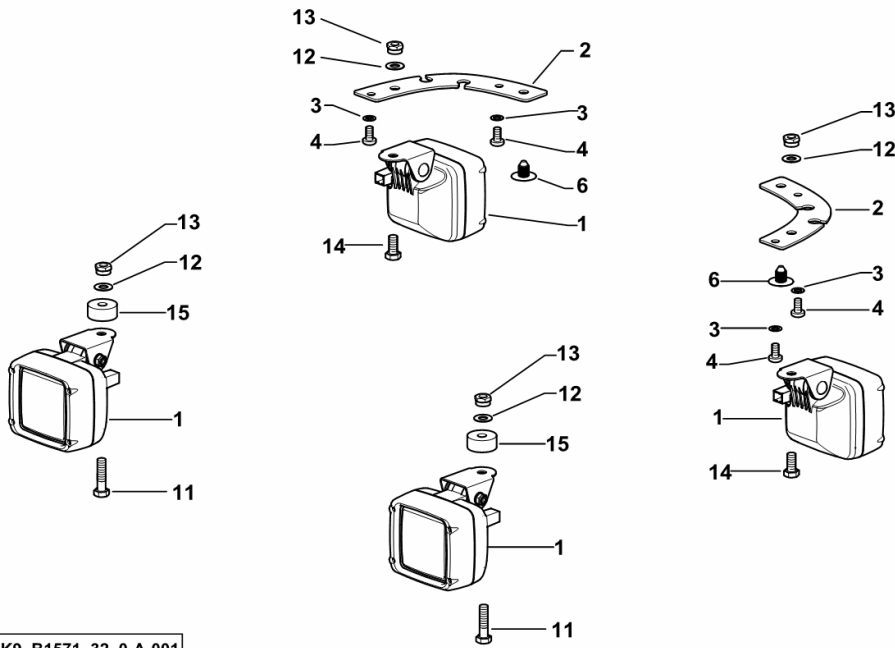
K9_G3772_02_0-E-001

WORKING SPOTLIGHT TOP FRONT/REAR n. 4

Fig.	Code	QTY	Name
------	------	-----	------

Notes:
[IRON 100]

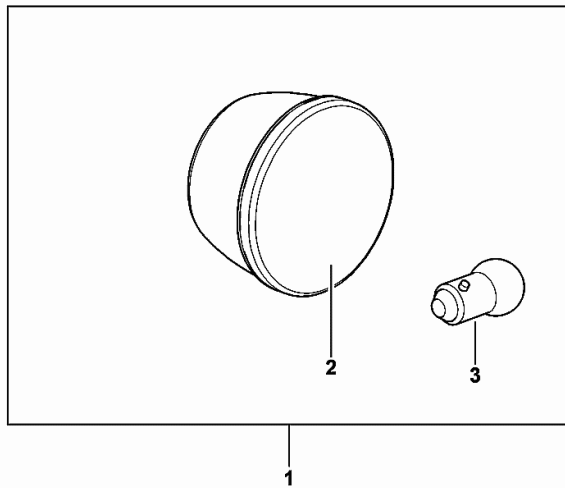
1	2.8039.295.0/10	4	worklamp ☞ 2.8039.295.0/10
2	0.013.5430.0	2	support
3	2.1470.004.2	4	washer 8
4	2.0330.506.2	4	screw m 8 x 16
6	2.3199.318.0	2	plug
11	2.0112.315.2	2	screw m 10 p.1.5 x 40
12	2.1481.059.2	4	spring washer
13	2.1120.106.2	4	nut m 10 p.1.25
14	2.0112.307.2	2	screw m 10 p.1.5 x 20
15	2.1549.493.0	2	spacer 10.5x35x15



K9_B1571_32_0-A-001

HEADLAMP COMPONENTS

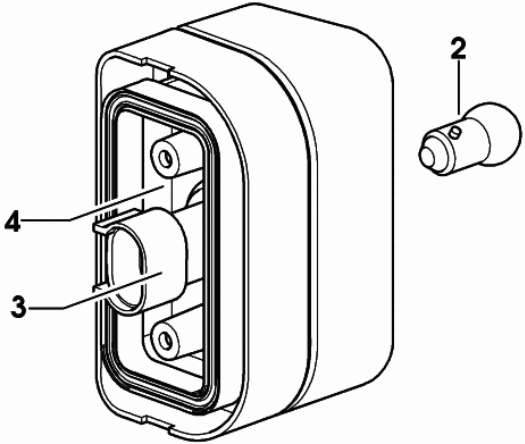
Fig.	Code	QTY	Name
1	2.8039.009.0	1	blinker
2	0.900.1162.5	1	light body
3	2.8313.001.0	1	lamp 12V 21W



2_8039_009_0

LICENCE PLATE LIGHT

Fig.	Code	QTY	Name
1	2.8059.526.0	1	side lamp
2	0.900.0271.6	1	lamp W5W 12V 5W
3	0.900.0271.7	1	socket
4	0.900.0271.8	1	light body



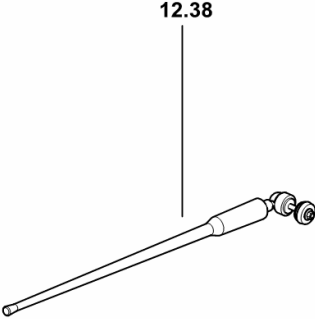
2_8059_526_0

RADIO ANTENNA

Fig.	Code	QTY	Name
------	------	-----	------

Notes:
WITH HATCH [IRON 100] -> 6055

12.38	0.011.7543.3/30	1	radio aereo
-------	-----------------	---	-------------

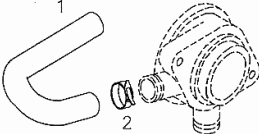


K9_G0871_21_0-C-001

Section: B0 - ENGINE
BLEEDING TUBE

Fig.	Code	QTY	Name
1	04198572	1	tube
2	01178750	3	clamp DIN 3021 -A-29X15

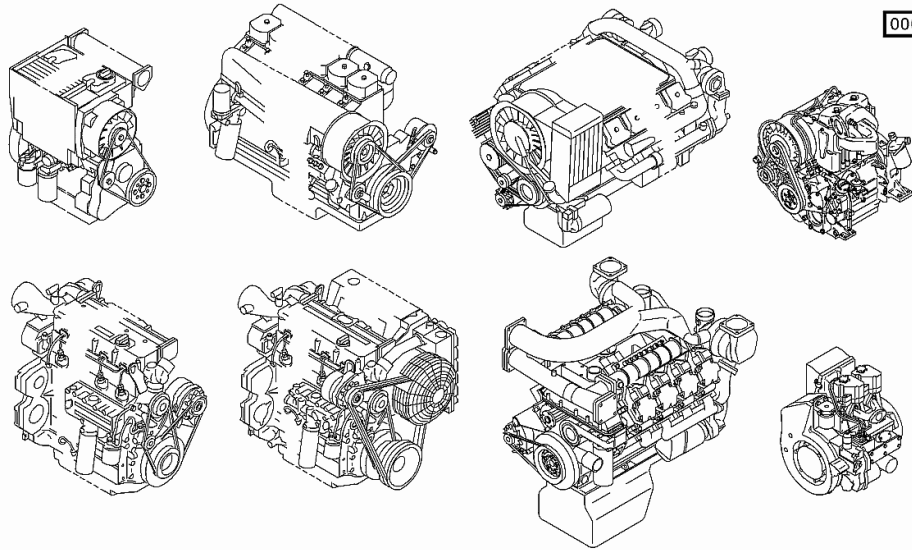
001



Section: B0 - ENGINE
KHD ENGINE

Fig.	Code	QTY	Name
1	12215999	1	new engine >100 kw BEFORE ORDERING SPARE CYLINDER LINERS, RINGS AND BEARINGS FOR THE CRANKSHAFT (MAIN, AXIAL BEARING INSTALLATION), DETERMINE THE LEVEL OF GRINDING AFTER MEASURING. SPARE ENGINES ARE SUPPLIED WITH NO FIXING ELEMENTS
950	12215999	1	new engine >100 kw
951	12215999	1	new engine >100 kw
952	12215999	1	new engine >100 kw

000 ©

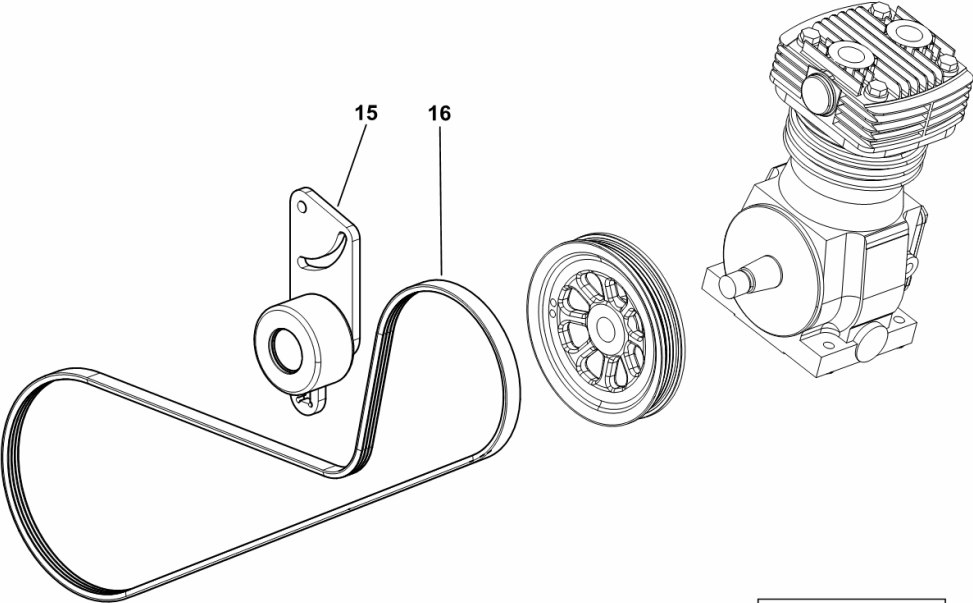


COMPRESSOR BELT AND BELT TENSIONER

Fig.	Code	QTY	Name
------	------	-----	------

Notes:
- WITH HYDRAULIC BRAKING FOR ITALIAN TRAILER AND FOR MEDIUM HYDRAULIC SYSTEM [IRON 100]

15	04454643.4	1	tensioner
16	04454180	1	belt PV-K 14.2x1410 mm



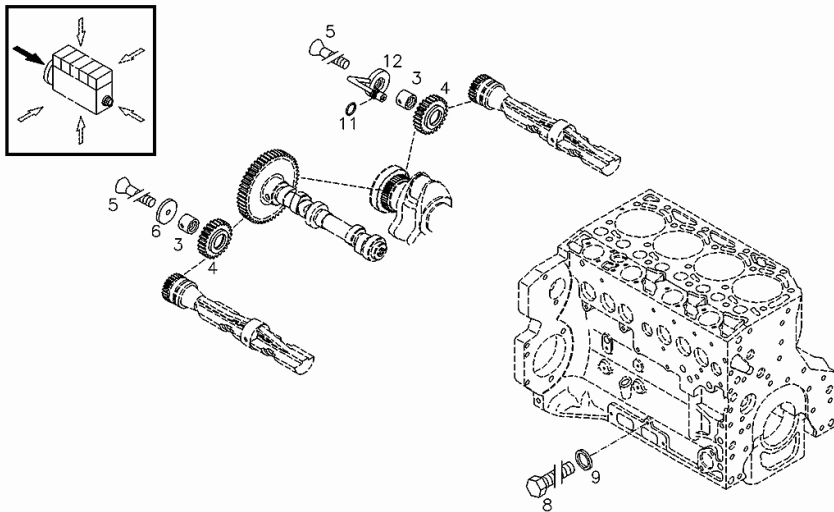
K9_B3689_16_0-B-001

Section: B0 - ENGINE
COUNTERWEIGHTS

Fig.	Code	QTY	Name
------	------	-----	------

Engine Serial Numbers:

10123578 10123865 10135549 10143224 10143226 10143227 10144914 10160542 10162147 10166327 10167438
 10169336 10176839 10195976 10195981 10195984 10201946 10201955 10206120 10206123 10210274 10210275
 10213245 10213272 10215541 10215557 10215569 10215582 10218788 10218791 10218793 10218814 10223036
 10223042 10231902 10231903 10231904 10231905 10231906 10231909 10231910 10231911 10235693 10237390
 10237395 10237397 10237401 10238299 10238307 10238539 10238540 10238541 10243796 10243797 10243799
 10243800 10243802 10243804 10243805 10249680 10249681 10260994 10274829 10279541 10282861 10282928
 10282931 10283299 10283336 10283341 10285912 10285914 10286759 10286795 10288424 10293824 10293830
 10293846 10293958 10297812 10297813 10297826 10297831 10297852 10297869 10297870 10297871 10468021
 10555712 10587081 10613104 10613106 10613107 10613108 10628208 10628209 10628210 10628211 10628217
 10628218 10628219



3	04288828	2	journal
4	04294449	2	gear
5	01181673	2	screw H 2091 -7991-M8X45-10.9-GESCHW-MK-1.0
6	04255410	1	ring
8	01148220	2	valve ISO 4017 -M8X10-8.8-ZNAL-A
9	01118647	2	'o' ring 8x11,5 d7603 DIN 7603 -A8X11,5-CU
11	01181582	1	snoulder H 2927 -7X1,5-ACM-1-70
12	04255412	1	pin

CLICK HERE TO **DOWNLOAD** THE COMPLETE MANUAL

- Thank you very much for reading the preview of the manual.
- You can download the complete manual from: www.heydownloads.com by clicking the link below

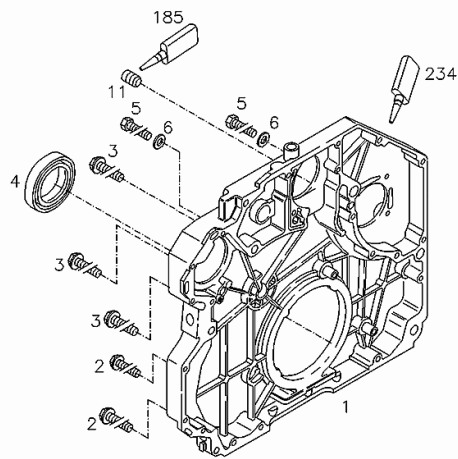
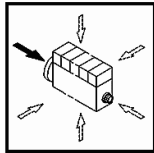


- Please note: If there is no response to CLICKING the link, please download this PDF first and then click on it.

CLICK HERE TO **DOWNLOAD** THE COMPLETE MANUAL

Section: B0 - ENGINE
GEARCASE

Fig.	Code	QTY	Name
1	04259063	1	plate
2	01143362	12	screw EN 1662 -F-M8X35-10.9-A4C
3	01181437	3	screw EN 1662 -F-M8X45-10.9-ZNAL-A
4	04253332	1	'o' ring
5	01148131	2	screw ISO 4017 -M16X60-10.9-ZNAL-A
6	01107117	2	washer 17 DIN 125 -A17-140HV-A4C
11	01125590	1	pin DIN 913 -M6X10-45H
185	01016127	1	sealing compound ml. 50 H 0699 -DEUTZDW72-50ML
234	01016024	1	gasket H 0699 -DEUTZDW67-50ML



003 ©

Section: B0 - ENGINE
OIL SUCTION PIPE

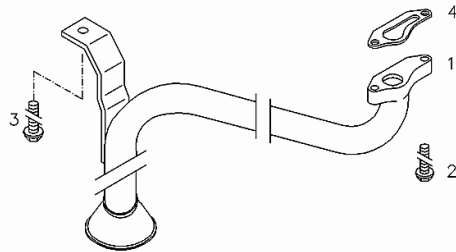
Fig.	Code	QTY	Name
------	------	-----	------

Engine Serial Numbers:

10123578 10123865 10135549 10143224 10143226 10143227 10144914 10160542 10162147 10166327 10167438
 10169336 10176839 10195976 10195981 10195984 10201946 10201955 10206120 10206123 10210274 10210275
 10213245 10213272 10215541 10215557 10215569 10215582 10218788 10218791 10218793 10218814 10223036
 10223042 10231902 10231903 10231904 10231905 10231906 10231909 10231910 10231911 10235693 10237390
 10237395 10237397 10237401 10238299 10238307 10238539 10238540 10238541 10243796 10243797 10243799
 10243800 10243802 10243804 10243805 10249680 10249681 10260994 10274829 10279541 10282861 10282928
 10282931 10283341 10285912 10285914 10288424 10293824 10293830 10293846 10293958 10468021 10555712
 10587081 10613104 10613106 10613107 10613108 10628208 10628209 10628210 10628211 10628217 10628218
 10628219

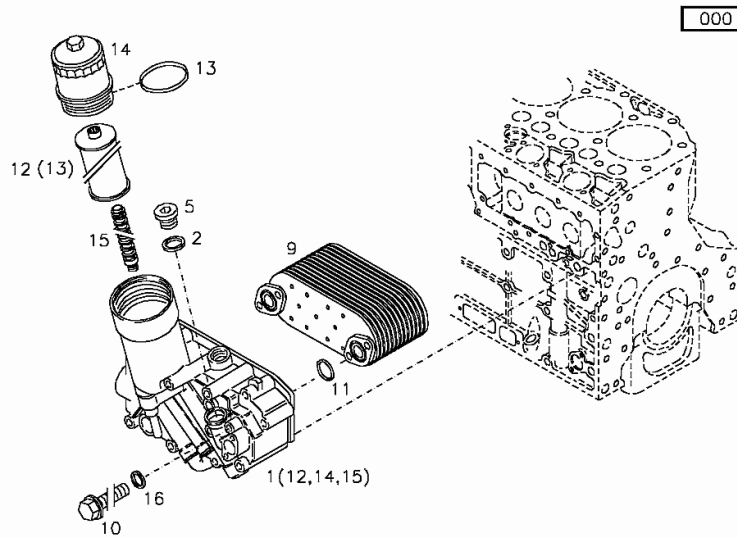
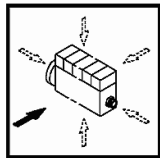
001

1	04207074	1	tube
2	01181416	2	screw EN 1662 -F-M8X25-10.9-ZNAL-A
3	01181436	1	screw EN 1662 -F-M8X16-LG2,5-10.9-ZNAL-A
4	04198741	1	gasket



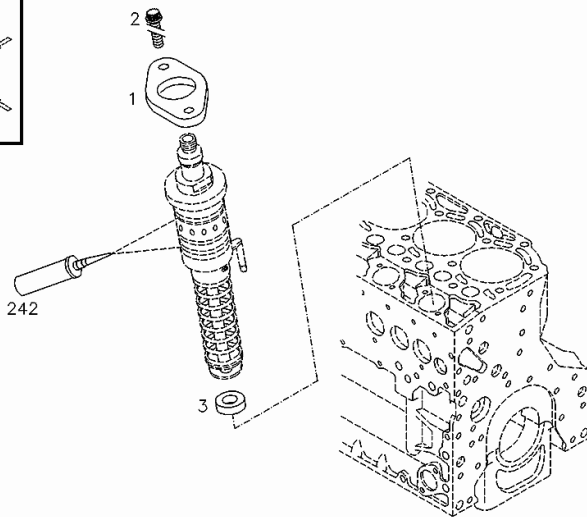
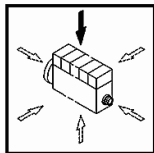
Section: B0 - ENGINE
OIL COOLER BOX

Fig.	Code	QTY	Name
1	04294098	1	sieving box WITH POS.... (12,14,15)
2	01118760	1	gasket 26x31 DIN 7603 -A26X31-CU
5	01148158	1	plug DIN 908 -M26X1,5-ST-A4C
9	04294614	1	oil cooler 7 blades
10	01181440	4	screw EN 1662 -F-M8X40-10.9-ZNAL-A
11	01174714	2	ring 28x4 H 2927 -28X4-FPM-1-70
12	02931093	1	oil filter WITH POS.... (13)
13	04207184	1	ring
14	04207185	1	cover WITH POS.... (13)
15	04208359	1	column
16	01118654	4	'o' ring 8x14 d7603 DIN 7603 -A8X14-CU
17	01148766	1	plug FROM MONTH OF ASSEMBLY FROM MONTH OF ASSEMBLY FROM MONTH OF ASSEMBLY FROM MONTH OF ASSEMBLY 02.2009 WITH SEALS DIN 908 -M10X1-ST-A4C+DICHTRING*



FASTENINGS

Fig.	Code	QTY	Name
957	02113030	1	DEPENDING ON THE MEASUREMENT, GASKET THICKNESS (A) = MM FOR OTHER THICKNESSES SEE POS. (B) A=5.00 MM B=950-955,957-984 disc
958	02113031	1	DEPENDING ON THE MEASUREMENT, GASKET THICKNESS (A) = MM FOR OTHER THICKNESSES SEE POS. (B) A=5.05 MM B=950-956,958-984 disc
959	02113032	1	DEPENDING ON THE MEASUREMENT, GASKET THICKNESS (A) = MM FOR OTHER THICKNESSES SEE POS. (B) A=5.10 MM B=950-957,959-984 disc
960	02113033	1	DEPENDING ON THE MEASUREMENT, GASKET THICKNESS (A) = MM FOR OTHER THICKNESSES SEE POS. (B) A=5.15 MM B=950-958,960-984 disc
961	02113034	1	DEPENDING ON THE MEASUREMENT, GASKET THICKNESS (A) = MM FOR OTHER THICKNESSES SEE POS. (B) A=5.20 MM B=950-959,961-984 disc
962	02113035	1	DEPENDING ON THE MEASUREMENT, GASKET THICKNESS (A) = MM FOR OTHER THICKNESSES SEE POS. (B) A=5.25 MM B=950-960,962-984 disc
963	02113036	1	DEPENDING ON THE MEASUREMENT, GASKET THICKNESS (A) = MM FOR OTHER THICKNESSES SEE POS. (B) A=5.30 MM B=950-961,963-984 disc
964	02113037	1	DEPENDING ON THE MEASUREMENT, GASKET THICKNESS (A) = MM FOR OTHER THICKNESSES SEE POS. (B) A=5.35 MM B=950-962,964-984 disc
			DEPENDING ON THE MEASUREMENT, GASKET THICKNESS (A) = MM FOR OTHER THICKNESSES SEE POS. (B) A=5.40 MM B=950-963,965-984

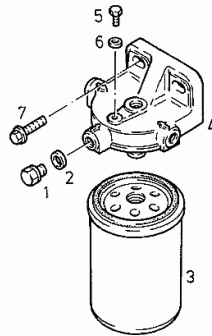


FUEL FILTER

Fig.	Code	QTY	Name
------	------	-----	------

Engine Serial Numbers:

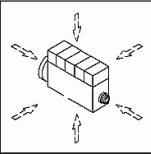
10123578 10123865 10135549 10143224 10143226 10143227 10144914 10160542 10162147 10166327 10167438
 10169336 10176839 10195976 10195981 10195984 10201946 10201955 10206120 10206123 10210274 10210275
 10213245 10213272 10215541 10215557 10215569 10215582 10218788 10218791 10218793 10218814 10223036
 10223042 10231902 10231903 10231904 10231905 10231906 10231909 10231910 10231911 10235693 10237390
 10237395 10237397 10237401 10238299 10238307 10238539 10238540 10238541 10243796 10243797 10243799
 10243800 10243802 10243804 10243805 10249680 10249681 10260994 10274829 10279541 10282861 10282928
 10282931 10283299 10283336 10283341 10285912 10285914 10286759 10286795 10288424 10293824 10293830
 10293846 10293958 10297812 10297813 10297826 10297831 10297852 10297869 10297870 10297871 10468021
 10555712 10587081 10613104 10613106 10613107 10613108 10628208 10628209 10628210 10628211 10628217
 10628218 10628219



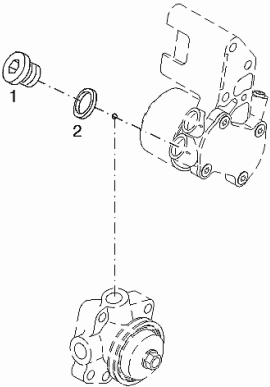
1	01133632	2	screw DIN 910 -M14X1,5-ST-ZNPHRF
2	01118693	2	gasket 14x20 DIN 7603 -A14X20-CU
3	01180597	1	fuel filter element H 4117 -Q0,6-R-9,5BAR
4	01174821	1	console H 4117 -FK1M16X1,5
5	01112232	1	screw m 6 p.1 x 10 ISO 4017 -M6X10-8.8-A4C
6	01148894	1	'o' ring DIN 7603 -D6X10-CU-VERZINNT*
7	01143365	2	screw EN 1662 -F-M8X30-10.9-A4C

Section: B0 - ENGINE
CLOSING COMPONENTS

Fig.	Code	QTY	Name
1	01110423	1	screw Outlet M14X1.5 / 35 Nm M16X1.5
2	01148899	1	rubber plug DIN 908 -M14X1,5-ST-ZNPHRF DIN 7603 -D14X18-CU-VERZINNT

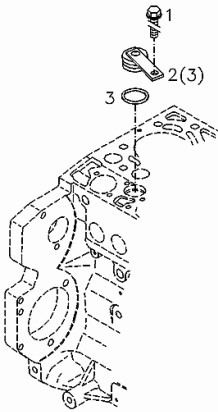
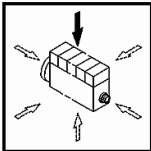


000 ©



CLOSING COMPONENTS

Fig.	Code	QTY	Name
1	01182361	1	screw
2	04290525	1	bottom WITH POS.... (3)
3	01179559	1	ring H 2927 -26X3-ACM-1-70

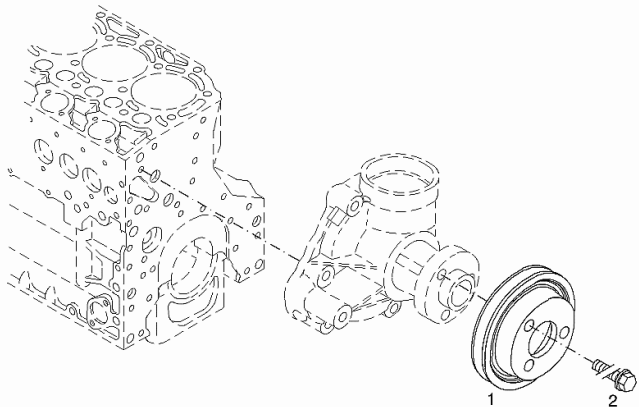
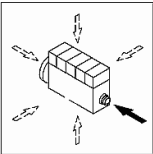


000 ©

DRIVING PARTS

Fig.	Code	QTY	Name
Engine Serial Numbers:			
10286759 10286795 10288424 10293824 10293830 10293846 10293958 10468021 10555712 10587081 10613104 10613106 10613107 10613108 10628208 10628209 10628210 10628211 10628217 10628218 10628219			
1	04208469	1	pulley
2	01181436	3	screw EN 1662 -F-M8X16-LG2,5-10.9-ZNAL-A

000 ©

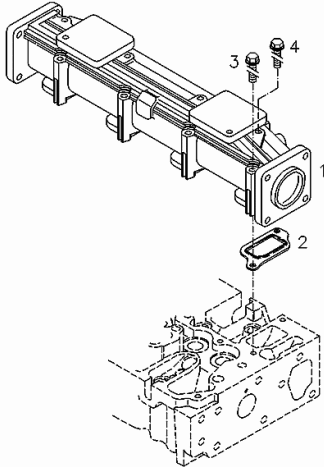
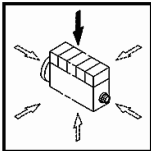


MANIFOLD

Fig.	Code	QTY	Name
------	------	-----	------

Engine Serial Numbers:
 10123578 10123865 10135549 10143224 10143226 10143227 10144914 10160542 10162147 10166327 10167438
 10169336

1	04283784	1	tube
2	04283576	4	gasket
3	01181434	4	screw EN 1662 -F-M6X75-10.9-ZNAL-A*
4	01179293	4	screw EN 1662 -F-M6X95-10.9-A4C*



000 ©

0507 8834

FASTENINGS

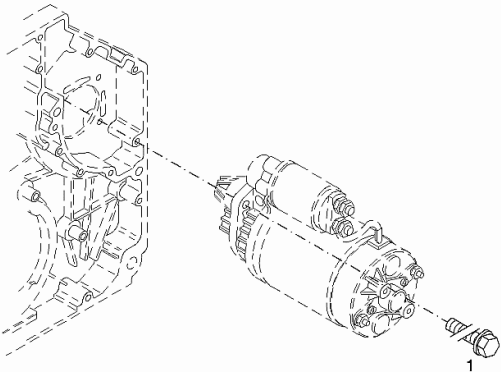
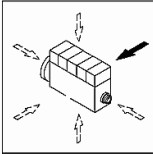
Fig.	Code	QTY	Name
------	------	-----	------

Engine Serial Numbers:

10123578 10123865 10135549 10143224 10143226 10143227 10144914 10160542 10162147 10166327 10167438
 10169336 10176839 10195976 10195981 10195984 10201946 10201955 10206120 10206123 10210274 10210275
 10213245 10213272 10215541 10215557 10215569 10215582 10218788 10218791 10218793 10218814 10223036
 10223042 10231902 10231903 10231904 10231905 10231906 10231909 10231910 10231911 10235693 10237390
 10237395 10237397 10237401 10238299 10238307 10238539 10238540 10238541 10243796 10243797 10243799
 10243800 10243802 10243804 10243805 10249680 10249681 10260994 10274829 10279541 10282861 10282928
 10282931 10283299 10283336 10283341 10285912 10285914 10286759 10286795 10288424 10293824 10293830
 10293846 10293958 10297812 10297813 10297826 10297831 10297852 10297869 10297870 10297871 10468021
 10555712 10587081 10613104 10613106 10613107 10613108 10628208 10628209 10628210 10628211 10628217
 10628218 10628219

003 ©

1	01148623	3	screw 60 Nm EN 1662 -F-M10X38-10.9-ZNAL-A
---	----------	---	---

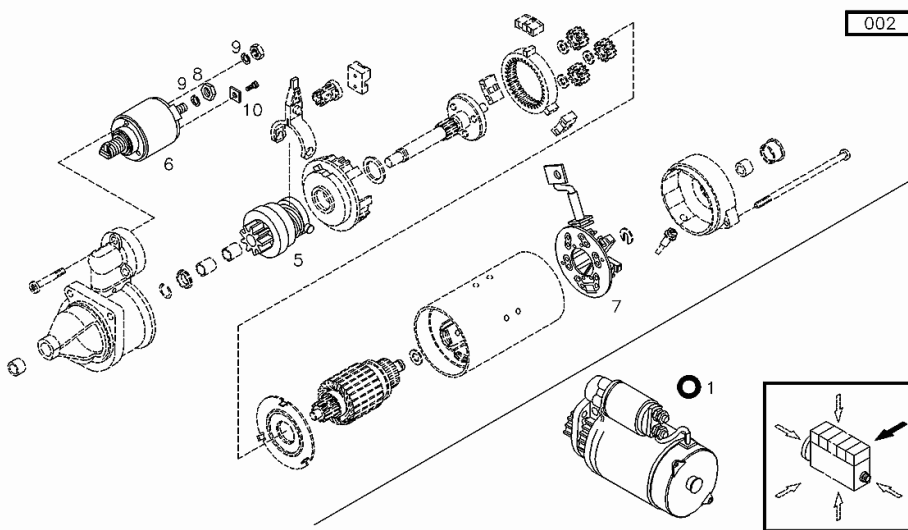


STARTER

Fig.	Code	QTY	Name
------	------	-----	------

Engine Serial Numbers:

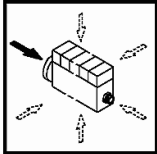
10123578 10123865 10135549 10143224 10143226 10143227 10144914 10160542 10162147 10166327 10167438
 10169336 10176839 10195976 10195981 10195984 10201946 10201955 10206120 10206123 10210274 10210275
 10213245 10213272 10215541 10215557 10215569 10215582 10218788 10218791 10218793 10218814 10223036
 10223042 10231902 10231903 10231904 10231905 10231906 10231909 10231910 10231911 10235693 10237390
 10237395 10237397 10237401 10238299 10238307 10238539 10238540 10238541 10243796 10243797 10243799
 10243800 10243802 10243804 10243805 10249680 10249681 10260994 10274829 10279541 10282861 10282928
 10282931 10283299 10283336 10283341 10285912 10285914 10286759 10286795 10288424 10293824 10293830
 10293846 10293958 10297812 10297813 10297826 10297831 10297852 10297869 10297870 10297871 10468021
 10555712 10587081 10613104 10613106 10613107 10613108 10628208 10628209 10628210 10628211 10628217
 10628218 10628219



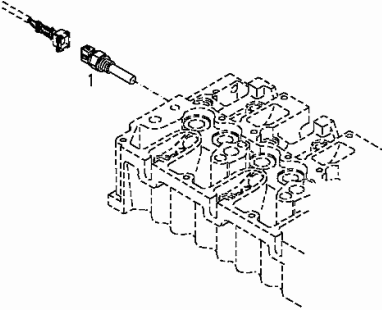
1	01180928	1	starter motor NEW SPARE PART RECONDITIONED SPARE PART, SEE POS. (A) (A) POS. 950 H 821970-VB4R12VX3KW
5	01340465	1	pinion
6	01319750	1	relay
7	01319759	1	support
8	01318661	1	nut
9	01318434	2	spring washer
10	01320794	1	small plate
950	03045396	1	starter motor RECONDITIONED SPARE PART FOR NEW SPARE PART SEE POS (A) (A) POS. 1 H 821970-VB4R12VX3KW

Section: B0 - ENGINE
TEMPER.TRANSMITTER

Fig.	Code	QTY	Name
1	01182701	1	pipe fitting



000 ©

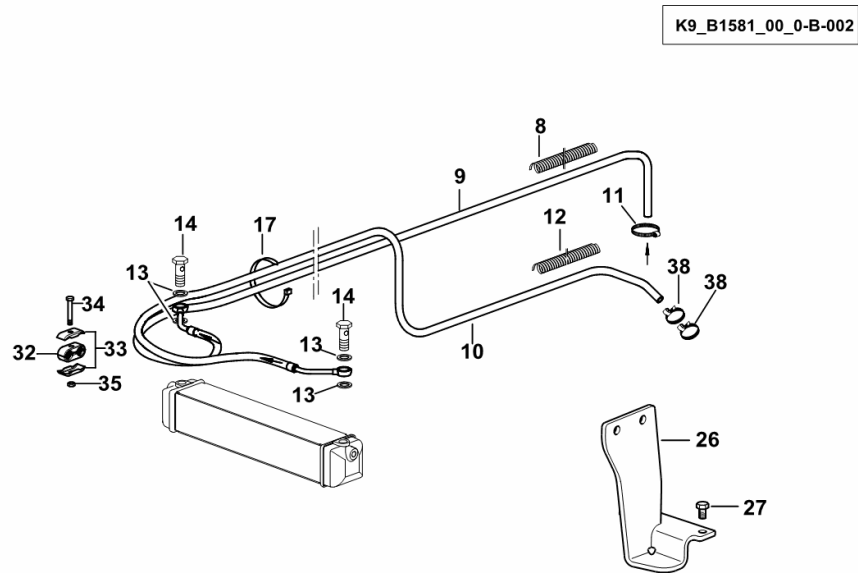


FUEL PIPES

Fig.	Code	QTY	Name
------	------	-----	------

Notes:
[IRON 100]

8	04454318	1	hose reel
9	0.014.5797.3/20	1	tube
10	0.014.5796.3/10	1	tube
11	01173965	4	clamp 10-16/9 h3461
12	04454319	1	guard
13	01118688	4	ring 14x17
14	04452056	2	pipe union
17	2.6852.203.0	10	clamp 292 x 4.8
26	04453968	1	support
27	2.0114.205.2	2	screw m 8 p.1.25 x 16
32	04454358	1	terminal
33	04454359	2	small plate
34	2.0112.011.2	1	screw m 6 p.1x30
35	2.1011.103.2	1	nut m 6 p.1
38	2.6851.019.0	4	clamp Ø 13/20



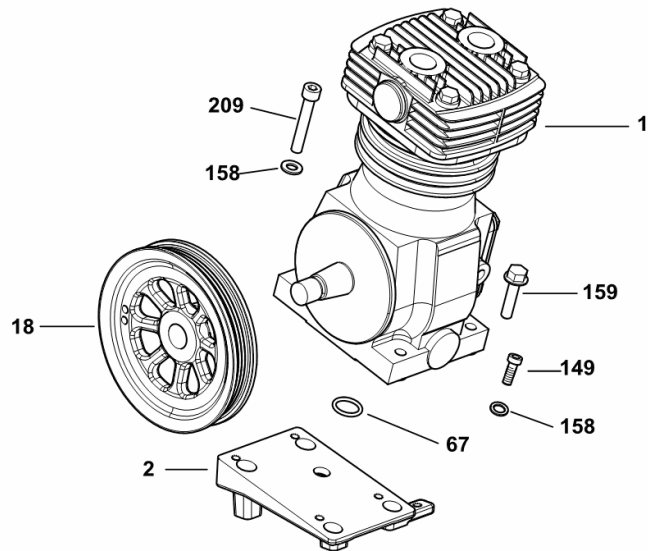
AIR COMPRESSOR

Fig.	Code	QTY	Name
------	------	-----	------

Notes:

- ITALY [IRON 100]

1	04414768	1	gear compressor kpl. ☞ 04414768
2	04453973/30	1	support
18	04452402/10	1	pulley
67	2.1532.069.0	1	rubber plug
149	2.0312.208.2	2	screw m 8 p.1.25 x 25
158	2.1310.004.2	6	flat washer 8.5
159	2.0312.212.2	6	screw m 8 p.1.25 x 35 (6017 <-)
159	01143362	4	screw (-> 6057)
209	04454989	2	screw (6072 <-)
209	01101405	2	screw



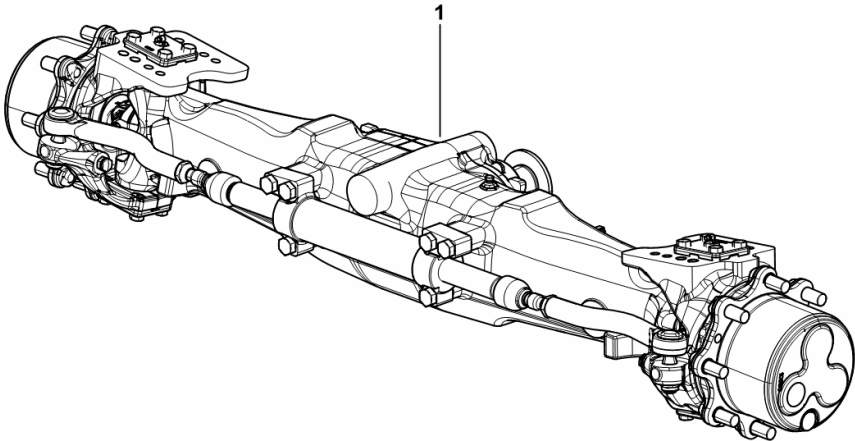
K9_B1589_16_0-A-001

Section: F0 - FRONT AXLE
4WD - FRONT DRIVE AXLE

Fig.	Code	QTY	Name
------	------	-----	------

Notes:
 - WITH ELECTROHYDRAULIC DISK DIFFERENTIAL LOCK + ASM/SBA [IRON 100]

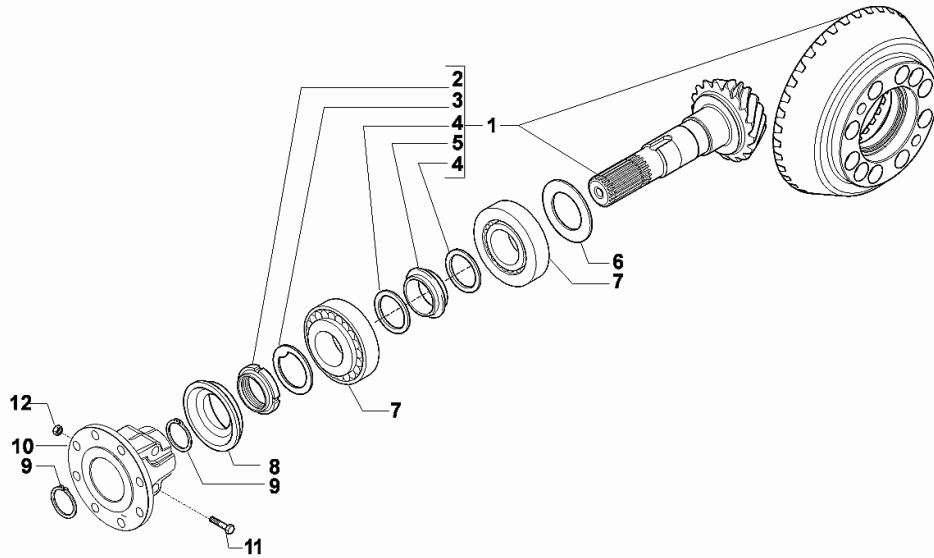
1	0.014.0319.4/20	1	complete axle ☞ 0.014.0319.4/20 ☞ 0.014.0319.4/20 ☞ 0.014.0319.4/20 ☞ 0.014.0319.4/20 ☞ 0.014.0319.4/20 ☞ 0.014.0319.4/20 ☞ 0.014.0319.4/20
---	-----------------	---	--



K9_D4943_01_0-A-001

BEVEL WHEEL GEAR - [358850]

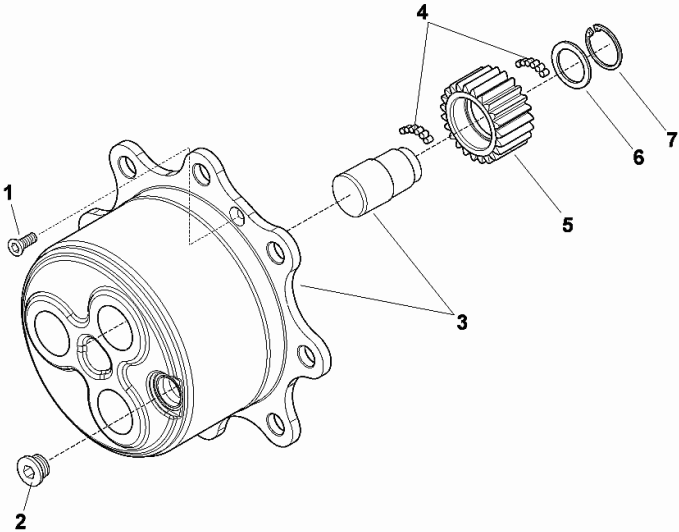
Fig.	Code	QTY	Name
1	0.900.0085.4	1	bevel gear Z = 14/37 COMPLETE (2, 3, 4 & 5)
2	0.900.0085.5	1	ring nut m 40 p.1.5
3	0.900.0085.6	1	washer
4	0.900.0085.7	2	washer
5	0.900.0085.8	1	spacer
6	0.900.0085.9	0	shim mm 2.50
6	0.900.0086.0	0	shim mm 2.60
6	0.900.0086.1	0	shim mm 2.70
6	0.900.0086.2	0	shim mm 2.80
6	0.900.0086.3	0	shim mm 2.90
6	0.900.0086.4	0	shim mm 3.00
6	0.900.0086.5	0	shim mm 3.10
6	0.900.0086.6	0	shim mm 3.20
6	0.900.0086.7	0	shim mm 3.30
6	0.900.0086.8	0	shim mm 3.40
7	0.900.0086.9	2	bearing
8	0.900.0087.0	1	'o' ring
9	0.900.0087.1	2	circlip d = 35
10	0.900.0965.8	1	flange
11	0.900.0960.9	2	screw
12	0.900.0961.0	2	nut



0.014.0317.4_40_3

Section: F0 - FRONT AXLE
PLANETARY GEAR - [641392]

Fig.	Code	QTY	Name
1	0.900.0092.0	4	screw m 8 p.1.25 x 20
2	0.900.0092.1	2	plug m 30 p.2
3	0.900.0965.9	2	spider kit
4	0.900.0092.3	1	roller - x56 FOR EACH GEAR - x336 FOR COMPLETE AXLE
5	0.900.0092.4	6	gear Z = 23
6	0.900.0092.5	6	thrust plate
7	0.900.0092.6	6	circlip

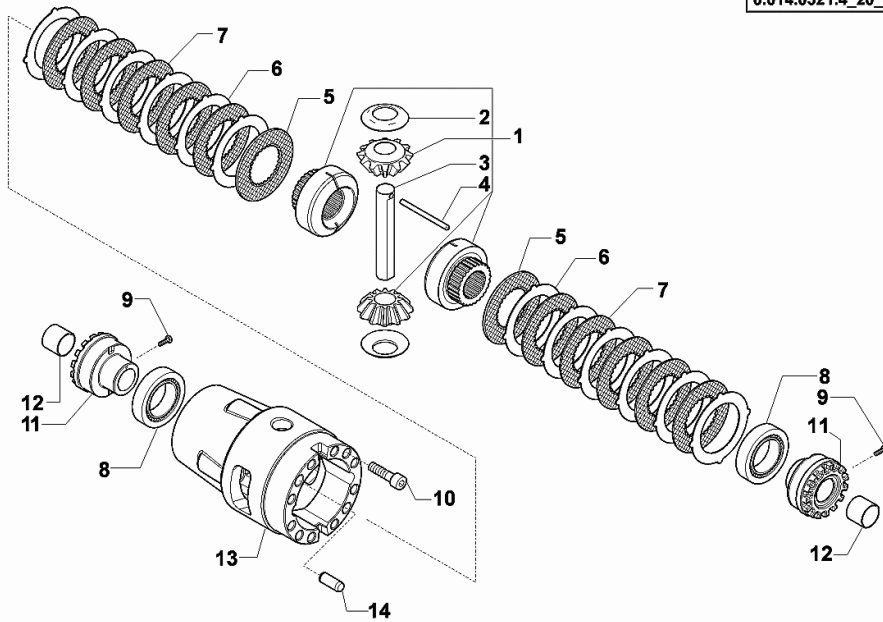


0.014.0319.4_20_7

Section: F0 - FRONT AXLE
DIFFERENTIAL - [641393]

Fig.	Code	QTY	Name
1	0.900.0966.7	1	set of gear COMPLETE (2, 3, 4)
2	0.900.0087.4	2	thrust plate
3	0.900.0087.5	1	pin
4	0.900.0087.6	1	pin D7x91
5	0.900.0106.1	2	washer
6	0.900.0106.2	12	washer
7	0.900.0106.3	10	washer
8	0.900.0088.4	2	bearing
9	0.900.0088.1	2	screw m 6 x 25
10	0.900.0088.0	10	screw m 12 x 35
11	0.900.0088.5	2	ring nut M94x1.5
12	0.900.0088.6	2	bushing
13	0.900.0106.4	1	differential carrier
14	0.900.0088.3	2	pin Ø 12 x 28

0.014.0321.4_20_4



IRON 100

N0 - FRONT LIFT

GENERAL

FRONT HYDRAULIC POWER-LIFT.....	N0.00.0 (1)
FRONT HYDRAULIC POWER-LIFT.....	04453331/10.A
HYDRAULIC SYSTEM.....	04453331/10.B
HYDRAULIC SYSTEM.....	04453331/10.C
FRONT LIGHTS.....	04453331/10.D

Section: M0 - FRONT PTO
P.T.O. SHAFT

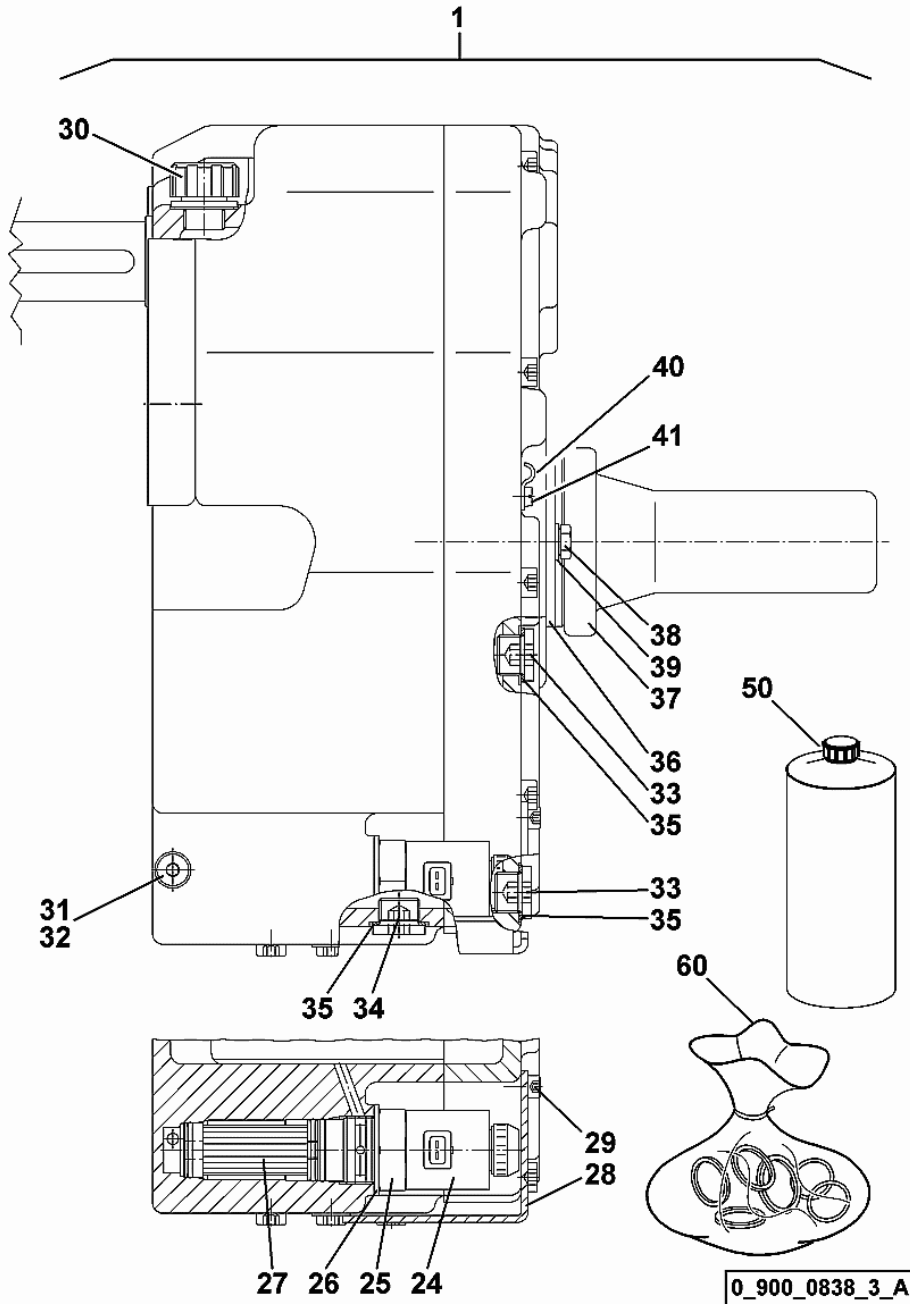


Fig.	Code	QTY	Name
1	0.900.0838.3	1	complete box
24	0.900.0813.8	1	magneto
25	0.900.0813.9	1	electro valve
26	0.900.0814.0	1	ring DIN 7603 - 30x36x2
27	0.900.0814.1	1	filter
28	0.900.0814.2	1	guard
29	0.900.0814.3	1	screw m 6 x 10
30	0.900.0814.4	1	valve m 18 x 1,5
31	0.900.0814.5	1	plug M10 x 1.0 - 5.8
32	0.900.0824.1	1	ring DIN 7603 - 10 x 14 x 1
33	0.900.0824.2	2	plug m 18 p.1.5
34	0.900.0823.8	1	plug m 18 p.1.5
35	0.900.0823.9	3	ring
36	0.900.0813.1	1	ring
37	0.900.0815.2	1	small cover
38	0.010.3040.0	2	screw m 8 p.1.25 x 20
39	0.010.3036.1	2	washer 8.4x16x1.6
40	0.900.0815.3	1	support
41	0.900.0815.4	1	screw M4 x 10 x 4.8
60	0.900.0815.6	1	gasket set

0_900_0838_3_A

IRON 100

Section: H0 - HYDRAULIC AND PNEUMATIC SYSTEM|

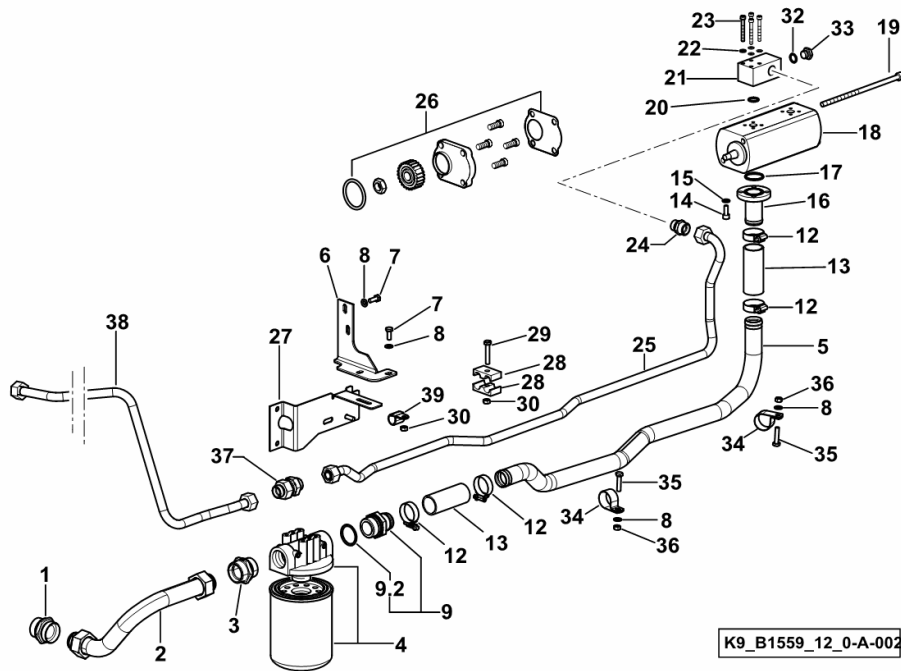
Ref.: H0.01.6 (2)

OIL SUPPLY - FILTER

Fig.	Code	QTY	Name
------	------	-----	------

Notes:

- WITH FIXED AXLE AND WITHOUT HYDRAULIC TRAILER BRAKING [IRON 100] -> 6037



1	01180563	1	tongue m 42x2
2	04453872/10	1	tube
3	04454047	1	pipe fitting
4	04453971	1	filter
5	04453871/10	1	tube
6	04453972	1	bracket
7	01112322	4	screw m 8 p.1.25 x 20
8	2.1310.004.2	5	flat washer 8.5
9	04454145.4	1	tongue
9.2	04454143	1	'o' ring
12	2.6851.004.0	4	clamp Ø 32/50
13	04434054	2	rubber sleeve
14	2.0312.206.2	4	screw m 8 p 1.25 x 20
15	2.1474.009.2	4	spring washer 8
16	04454596	1	flange
17	2.1532.091.0	1	ring 34.60 x 2.62
18	04454986	1	hydraulic pump
19	04454597/10	2	screw
20	06214809	1	'o' ring 18x2,5
21	04450715	1	flange
22	2.1474.007.2	4	washer 6, d128
23	2.0312.116.2	4	screw m 6 p.1 x 50
24	01177450	1	pipe fitting m 22 p.1.5x18
25	04453649/20	1	tube
26	00290646	1	flange
27	04453558/50	1	bracket
28	01178214	2	terminal
29	2.0112.217.2	1	screw m 8 p.1.25 x 45
30	2.1011.105.2	1	nut m 8 p.1.25
32	01118700	1	'o' ring Ø 16 x 20
33	2.3110.404.2	1	plug m 16 p.1.5
34	2.6839.050.2	2	clamp Ø 35
35	2.0114.213.2	2	screw m 8 x 35
36	2.1011.105.2	2	nut m 8 p.1.25
37	01127360	1	tongue l18 d3902 (6085 <-)
37	04455372	1	valve
38	04454789	1	pipng
39	01172635	1	hose clip

SPIN-ON FILTER

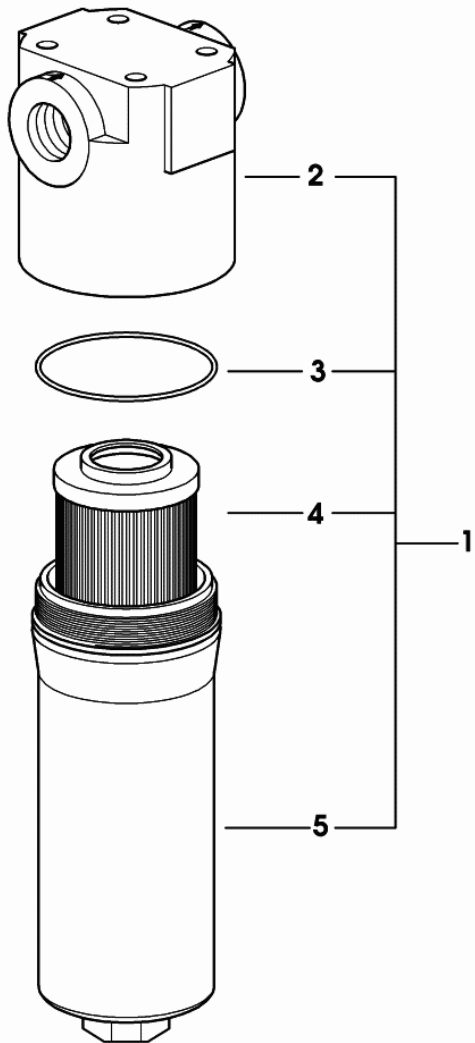


Fig.	Code	QTY	Name
1	04453467	1	filter
2	0.000.0000.1	0	not serviceable
3	04357923	1	'o' ring 53.57 x 3.53
4	16053170	1	filter
5	0.900.0127.6	1	filter casing

04453467

IRON 100

Section: H0 - HYDRAULIC AND PNEUMATIC SYSTEM|

Ref.: H0.03.1 (1)

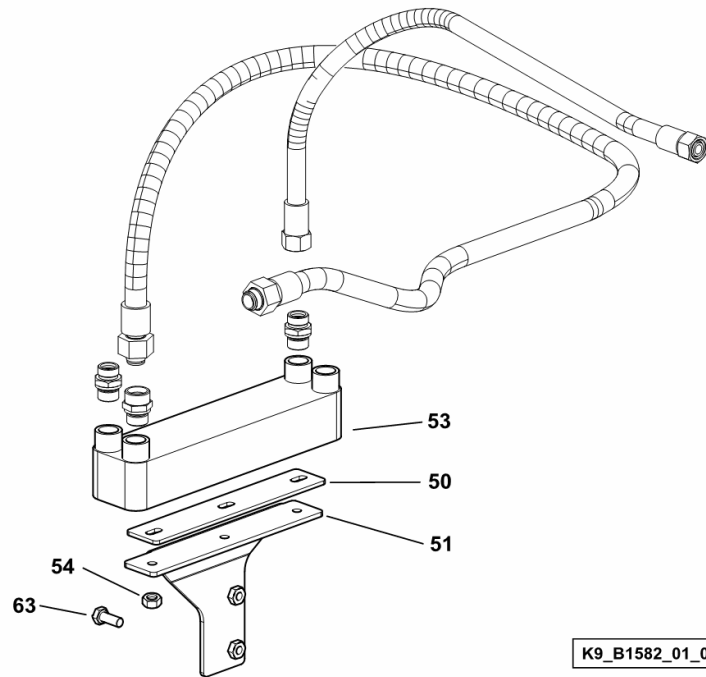
GEARBOX OIL COOLER

Fig.	Code	QTY	Name
------	------	-----	------

Notes:

- FOR TYPES WITH MEDIUM HYDRAULIC SYSTEM [IRON 100]

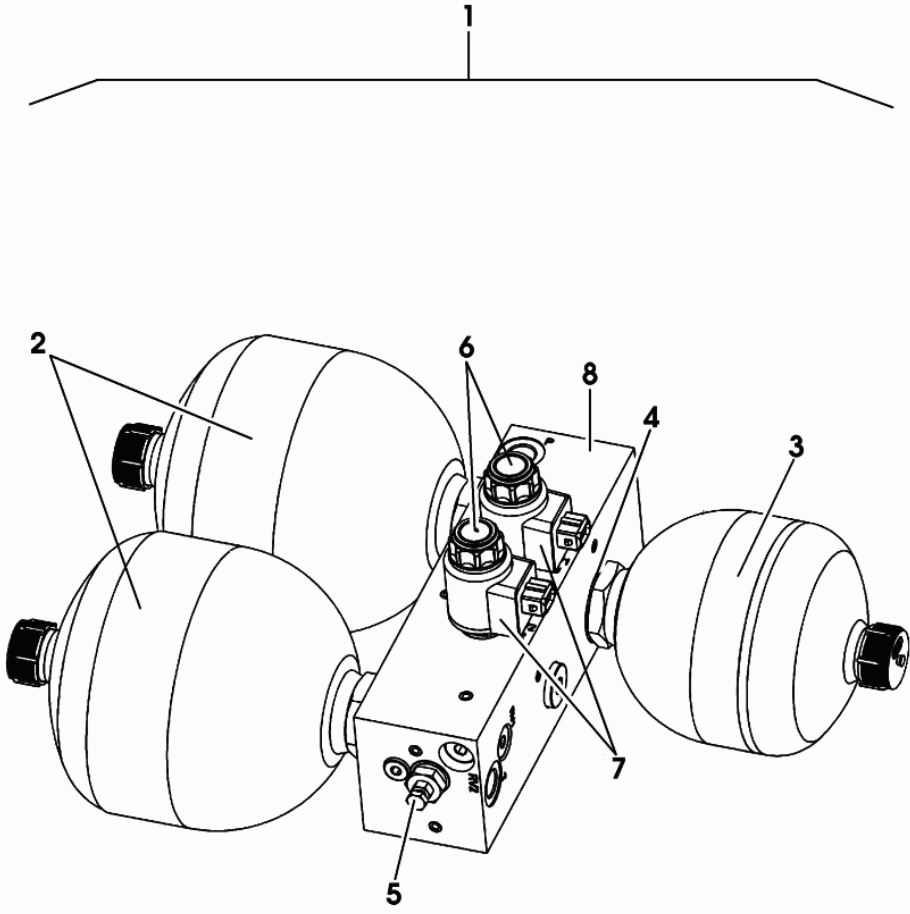
50	04454594/10	1	band
51	04453930/20	1	support
53	0.015.7154.0	1	oil cooler
54	2.1120.005.2	3	nut m 8 p.1.25
63	2.0114.309.2	2	screw m 10 p 1.25 x 25



K9_B1582_01_0-C-001

ACCUMULATOR

Fig.	Code	QTY	Name
1	04452756	1	valve
2	04423814	2	tank
3	04423813	1	tank
4	04423806	3	gasket
5	0.900.0147.7	1	gasket set
6	0.900.0147.8	2	valve
7	0.900.0147.9	2	coil
8	0.900.0147.6	1	plate



04452756

IRON 100

Section: H0 - HYDRAULIC AND PNEUMATIC SYSTEM|

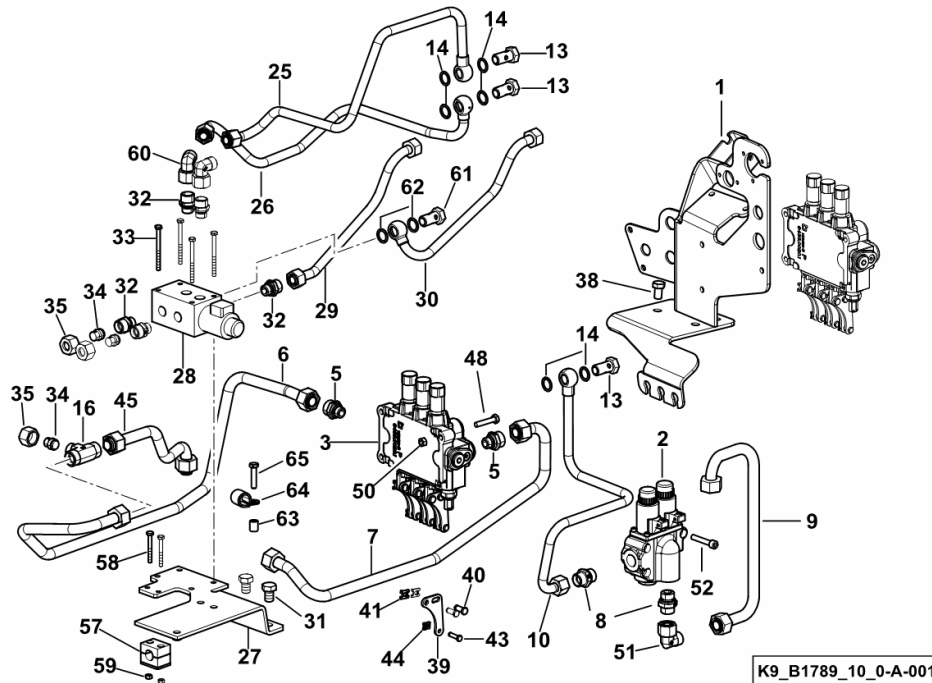
Ref.: H0.07.4 (1)

8 WAY HYDRAULIC CONTROL VALVE AND ITALIAN BRAKING SYSTEM

Fig.	Code	QTY	Name
------	------	-----	------

Notes:

- FOR TYPES WITH HYDRAULIC TRAILER BRAKING (ITALY) [IRON 100]



1	04452895.3/40	1	support
2	04454146	1	valve (-> 6002) ☞ 04454146
3	04453275/10	1	distributor (6078 <-) ☞ 04453275/10
3	04453275/30	1	distributor
5	01177221	3	pipe fitting m 18x1.5x18
6	04453625/10	1	tube
7	04453615/10	1	pipng
8	04454135/10	2	pipe fitting (-> 6002)
9	04453616	1	tube
10	04453634/10	1	pipng
13	04454311	3	pipe union m 18 p.1.5 x 32 (-> 6002)
14	01118718	6	ring 18 x 24 (-> 6002)
16	04453699	1	pipe fitting
25	04453611	1	tube
26	04453612	1	tube
27	04453274/10	1	support
28	04453270	1	valve
29	04453614	1	tube (6078 <-)
29	04455656	1	tube
30	04455655	1	tube
31	2.0114.507.2	2	screw
32	01177226	5	pipe fitting m 18 p.1.5 x 15
33	2.0112.024.2	4	screw m 6 p.1x65
34	01180617	3	cone
35	01179540	3	nut cl 15 h3105
38	2.0112.409.2	4	screw m 12 p.1.75 x 25
39	04453279	6	small plate
40	04402646	6	pin 8x25
41	01176237	6	guard
43	2.1699.497.2/20	3	pin
44	01175725	3	small spring 6, d128
45	04453852/10	1	pipng
48	2.0114.215.2	3	screw m 8 p.1.25 x 40
50	2.1011.105.2	3	nut m 8 p.1.25
51	01144817	1	pipe fitting 90°
52	2.0312.215.2	3	screw m 8 p.1.25 x 45
57	04453589	1	shim
58	2.0114.017.2	2	screw m 6 x 50
59	01133500	2	nut vm 6 d980

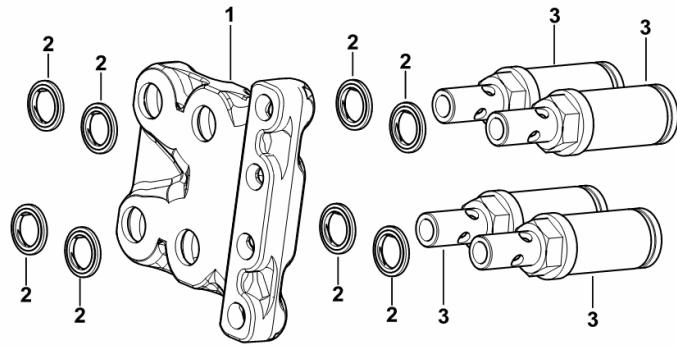
4 REAR QUICK ACTION COUPLERS

Fig.	Code	QTY	Name
------	------	-----	------

Notes:

- FOR TYPES WITH MEDIUM HYDRAULIC SYSTEM - WITH FRONT LOADER [IRON 100]

1	04454595/10	1	plate
2	04454693	8	'o' ring
3	04454777	4	quick coupling



K9_B1959_78_0-B-001

IRON 100

Section: H0 - HYDRAULIC AND PNEUMATIC SYSTEM|

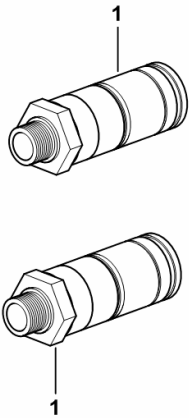
Ref.: H0.07.20 (1)

6 WAY QUICK COUPLERS PACKAGE

Fig.	Code	QTY	Name
------	------	-----	------

Notes:
[IRON 100]

1	04453631	2	socket ☞ 04453631
---	----------	---	----------------------



K9_B1688_26_0-A-001

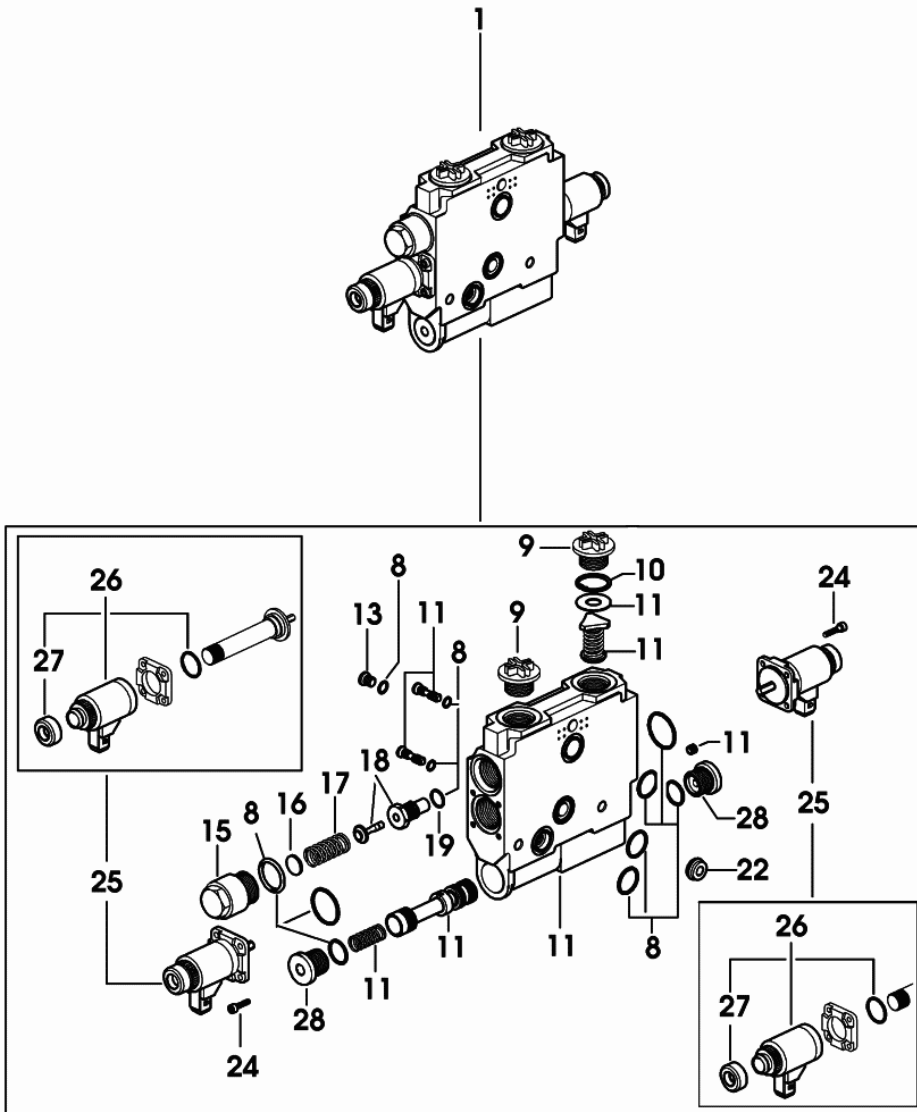
IRON 100

Section: H0 - HYDRAULIC AND PNEUMATIC SYSTEM|

Ref.: 04428917.4.A

VALVE PARTS

Fig.	Code	QTY	Name
1	04428917.4	1	valve
8	0.010.3529.2	1	gasket set
9	0.010.3139.0	2	cap
10	0.010.2440.1	1	circlip
11	0.000.0000.1	0	not serviceable
13	04418220	1	screw
15	04427656	1	screw
16	2.3719.040.1	1	snoulder 0.5
16	04417986	0	shim 0.3
16	04417987	0	shim 0.4
16	04417988	0	shim 0.8
17	04418218	1	spring
18	04418219	1	insert
19	0.010.3333.2	1	'o' ring 12x1.75
22	04418197	1	valve
24	01126909	8	screw m 4 x 8
25	0.010.2439.0	2	coil
26	04428919	1	electro valve
27	0.010.2439.1	1	cap
28	04419758	2	screw



04428917_4

IRON 100

Section: H0 - HYDRAULIC AND PNEUMATIC SYSTEM|

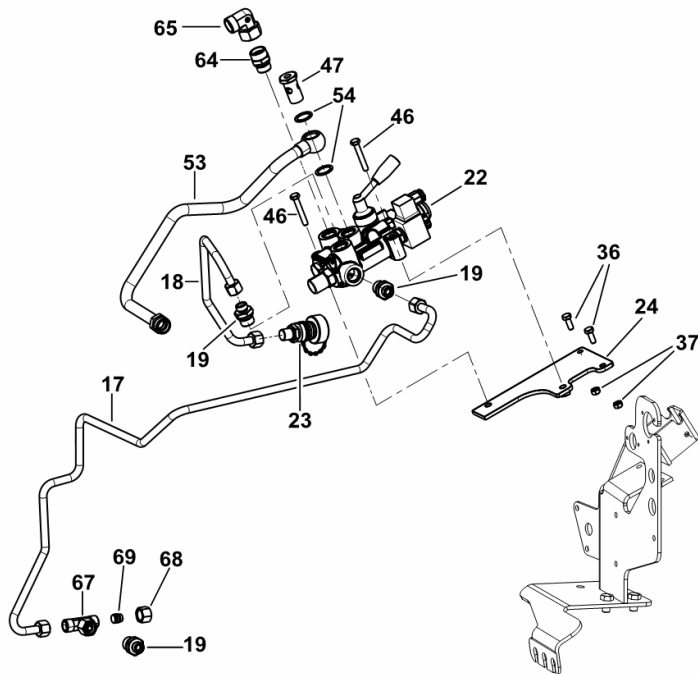
Ref.: H0.09.4 (1)

TRAILER BRAKE VALVE FOR 6-WAY DIRECTIONAL CONTROL VALVE

Fig.	Code	QTY	Name
------	------	-----	------

Notes:

- FOR TYPES WITH HYDRAULIC TRAILER BRAKING (ITALY) [IRON 100]



K9_B1589_10_0-B-001

17	04453638	1	tube
18	04453950	1	tube
19	04428400	2	pipe fitting (6026 <-)
19	04428400	3	pipe fitting
22	04453588	1	valve ☞ 04453588
23	04307317	1	coupling
24	04453273/10	1	bracket
36	2.0114.207.2	2	screw m 8 p.1.25 x 20
37	2.1011.105.2	2	nut m 8 p.1.25
46	2.0114.217.2	2	screw m 8 p.1.25 x 50
47	2.3335.009.2	1	pipe union m 22 p.1.5 x 39
53	04453851/10	1	pipng
54	2.1560.018.0	2	gasket 22.2 x 29
64	01177450	1	pipe fitting m 22 p.1.5x18
65	01172993	1	pipe fitting BL 18 (6026 <-)
65	01144818	1	tongue
67	01144831	1	pipe fitting T
68	01179539	1	nut CL 12 H310
69	01180565	1	plug h 310

IRON 100


Section: H0 - HYDRAULIC AND PNEUMATIC SYSTEM|

Ref.: H0.09.17 (1)

PNEUMATIC TRAILER BRAKING

Fig.	Code	QTY	Name
------	------	-----	------

Notes:
[IRON 100]

1	04414694	1	tank
2	0.012.3383.0	1	valve
3	02523701	2	ring
4	02523700	2	ring
5	01118980	2	plug m 22 x 1.5
6	04453909.3/20	1	support
7	2.0114.313.2	4	screw m 10 x 35
8	2.1011.106.2	4	nut m 10 p.1.5
9	04454066	4	pipe fitting L
10	04453995	3	pipe fitting
11	04454075/10	1	tube
12	04454076/10	1	tube
13	04454077/10	1	tube
14	04454078	1	tube
15	04438664	1	pipe fitting
16	02382049.4	1	valve
			 02382049.4
17	04437700	3	plug
18	2.1012.510.7	1	nut m 18 p.1.5
19	01143567	1	pipe fitting m 22 x 1.5
20	02523701	1	ring
21	02523700	1	ring
22	04322997	1	top
23	2.6859.101.0	1	clamp
24	04453934/10	1	support

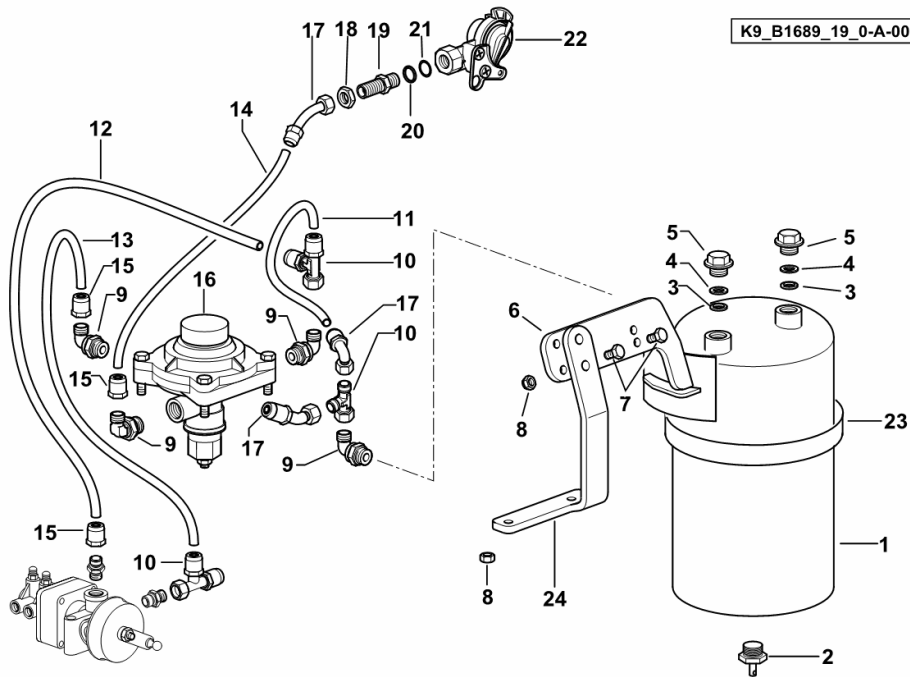
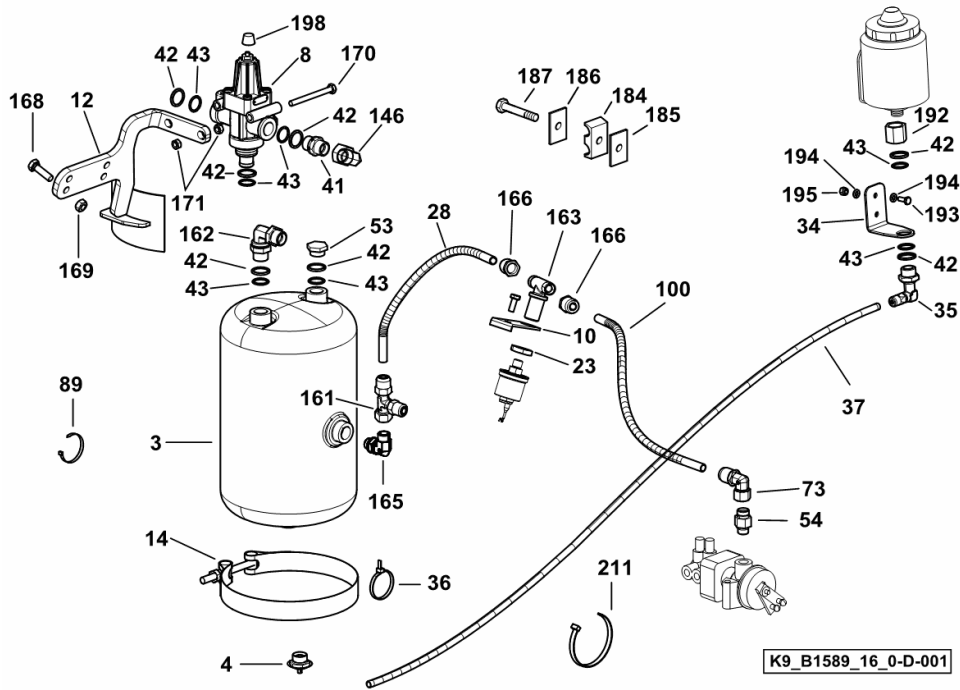


Fig.	Code	QTY	Name
211	01173143	3	clamp 4,6x280



IRON 100

Section: H0 - HYDRAULIC AND PNEUMATIC SYSTEM|

Ref.: H0.09.35 (1)

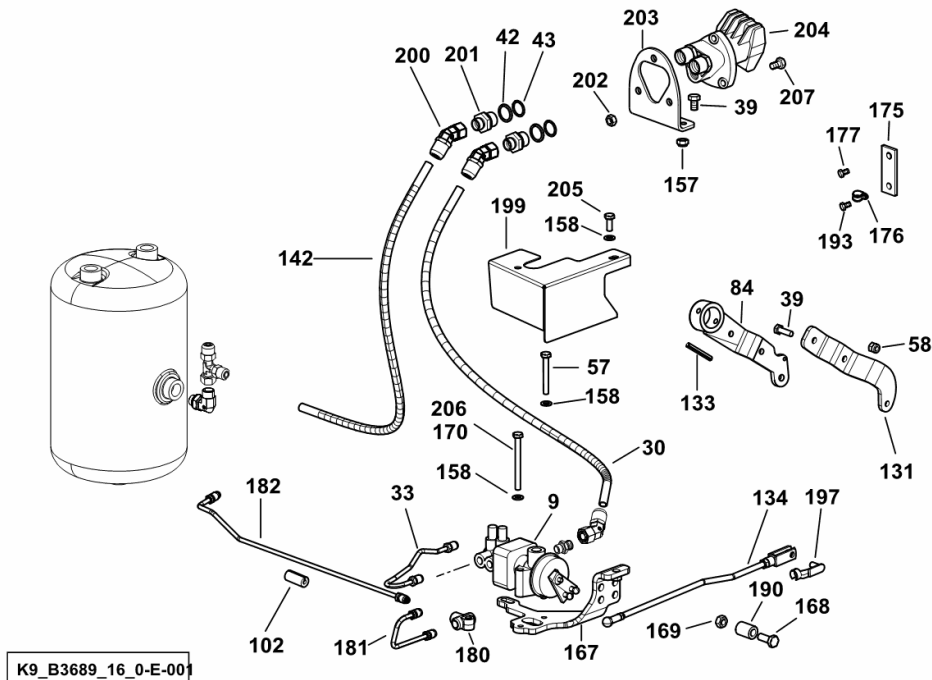
PNEUMATIC TRAILER BRAKING

Fig.	Code	QTY	Name
------	------	-----	------

Notes:

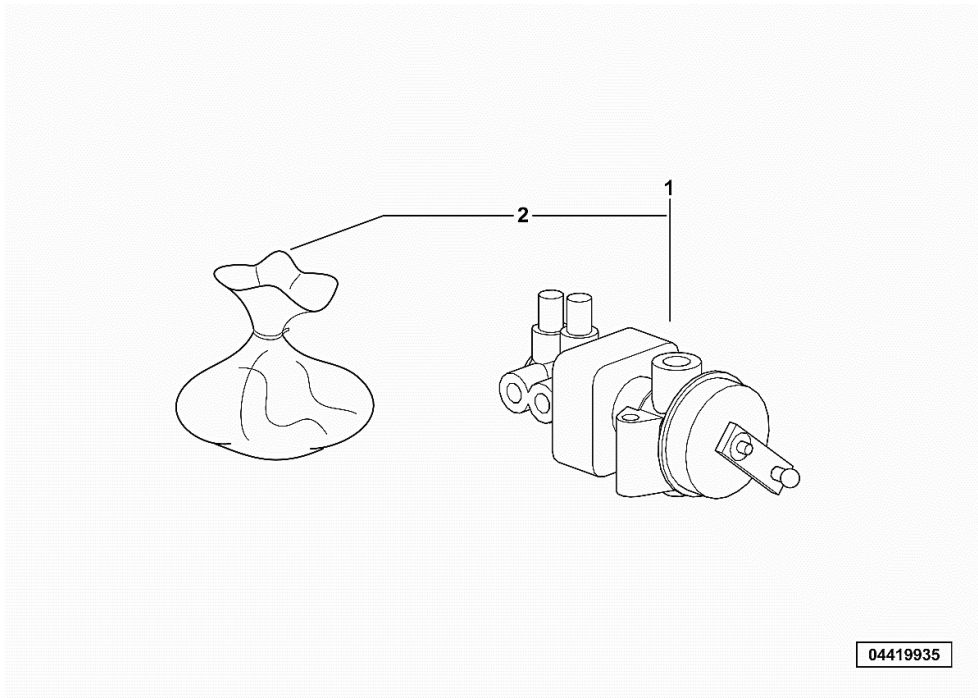
- WITH HYDRAULIC BRAKING FOR ITALIAN TRAILER AND FOR MEDIUM HYDRAULIC SYSTEM [IRON 100]

9	04419935	1	valve ☞ 04419935
30	04453999/10	1	tube
33	04454439/20	1	tube
39	2.0114.209.2	3	screw m 8 x 25
42	02523701	14	ring
43	02523700	14	ring
57	2.0114.219.2	1	screw m 8 p.1.25 x 60
58	2.1120.005.2	2	nut m 8 p.1.25
84	04453920	0	lever
102	01218045	3	rubber plug
131	04453917/20	1	lever
133	2.1630.617.2	1	pin 6x50
134	04453919/20	1	gear lever
142	04454063/10	1	tube
157	2.1120.005.2	1	nut m 8 p.1.25
158	2.1310.004.2	6	flat washer 8.5
167	04453918.2/10	1	support
168	2.0114.309.2	4	screw m 10 p 1.25 x 25
169	2.1011.106.2	4	nut m 10 p.1.5
170	2.0112.225.2	4	screw m 8 p.1.25 x 80
175	04424522.4	1	support
176	01211882	1	collar
177	2.0114.204.2	1	screw m 8 x 14
180	03499196	1	pipe fitting T
181	04454071	1	tube
182	04454072/10	1	pipng
183	04454548	1	pipng
190	04453932/10	2	sleeve
193	2.0114.005.2	3	screw m 6 p.1.0 x 16
197	2.1673.007.2	1	pin
199	04454552.2	1	cover
200	04437700	2	plug
201	01143570	2	pipe fitting m 22 x 1.5
202	2.1011.106.2	3	nut m 10 p.1.5
203	04454444	1	support
204	04426782	1	connection
205	2.0112.207.2	1	screw m 8 p 1.25 x 20
206	2.0112.226.2	1	screw m 8 p.1.25 x 85
207	2.0114.311.2	3	screw m 10 p.1.25 x 80



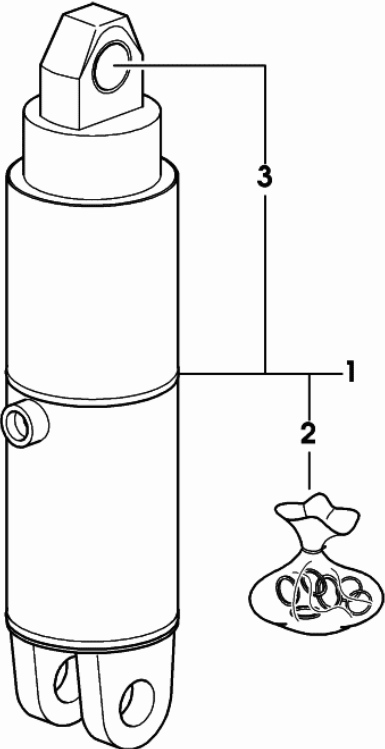
TRAILER BRAKE VALVE

Fig.	Code	QTY	Name
1	04419935	1	valve
2	0.900.0136.2	1	accessories



Section: R0 - REAR LIFT
CYLINDER PARTS

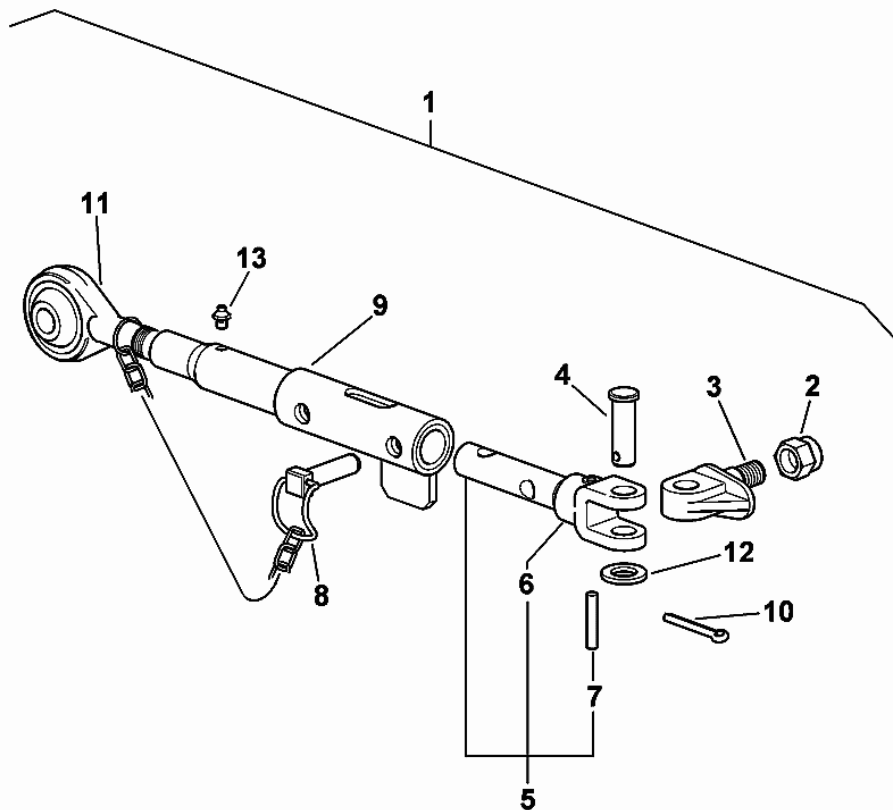
Fig.	Code	QTY	Name
1	04411182.4/10	1	jack Ø 80
2	04417821.4	1	gasket set OGNIBENE
2	04439554	1	gasket set BURNSIDE
3	0.900.0128.9	1	bushing



04411182_4_10

MANUAL LATERAL STABILIZERS

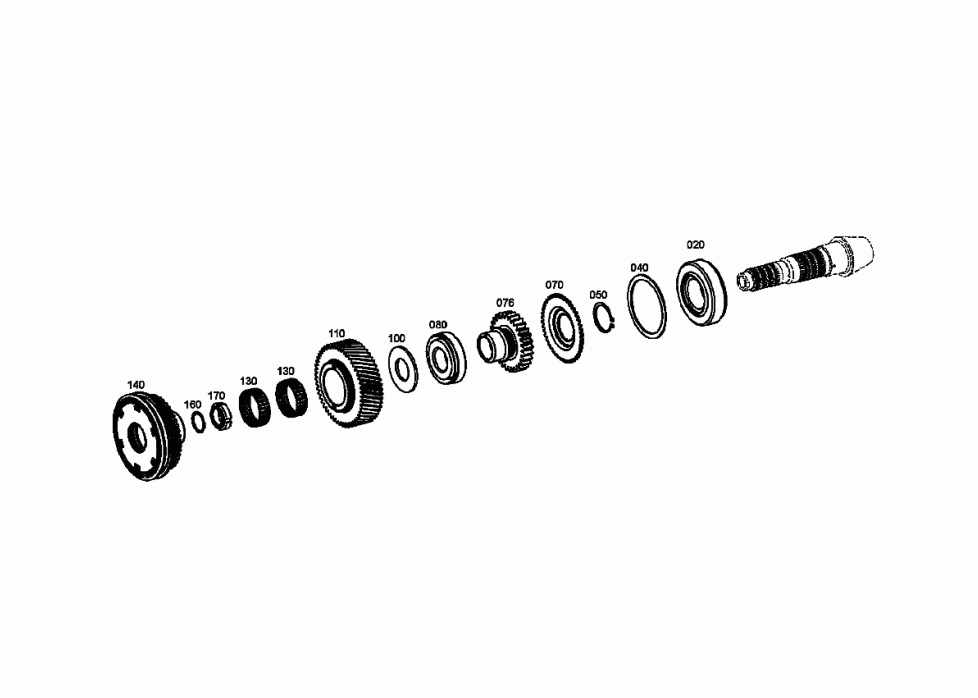
Fig.	Code	QTY	Name
1	0.010.5222.4/50	1	stabiliser
2	2.1120.213.2	1	selflock nut m 24 p.2
3	0.012.4092.0	1	pin
4	2.1679.085.2	1	pin
5	0.010.5217.3	1	rod
6	0.96026.53.0/10	1	fork
7	2.1630.718.2	1	pin 8x55
8	0.012.4364.4	1	chain
9	0.010.5228.2/10	1	tube
10	2.1690.513.2	1	split pin 5 x 36
11	0.010.5226.3/10	1	rod dx/rh/re
12	2.1311.014.2	1	flat washer Ø 25
13	2.3820.105.2	1	lubricator m 10 p.1 x 7



010_5222_4_50

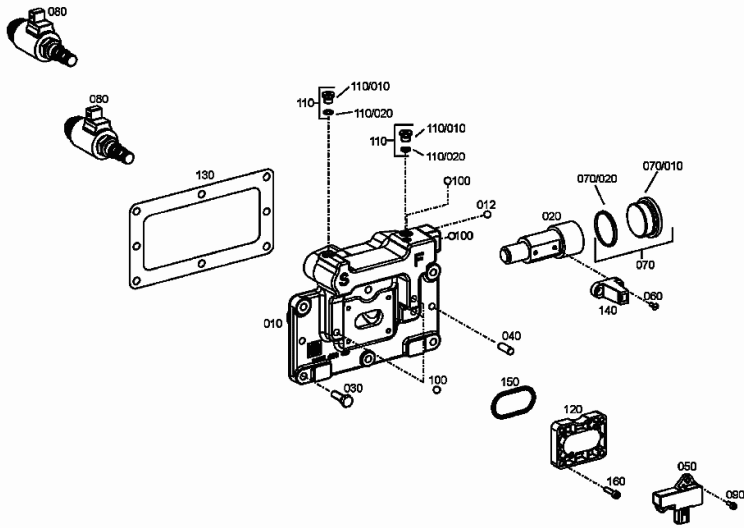
BEVEL WHEEL GEAR - [2095 009 053]

Fig.	Code	QTY	Name
160	04416571	1	shim mm 2.10
160	04416572	1	shim mm 2.15
160	0.900.0292.2	1	shim mm 2.20
160	04416574	1	shim mm 2.25
160	0.900.0292.3	1	shim mm 2.30
160	04416576	1	shim mm 2.35
160	04416577	1	shim mm 2.40
160	04416578	1	shim mm 2.45
160	04416579	1	shim mm 2.50
170	04416391	1	nut



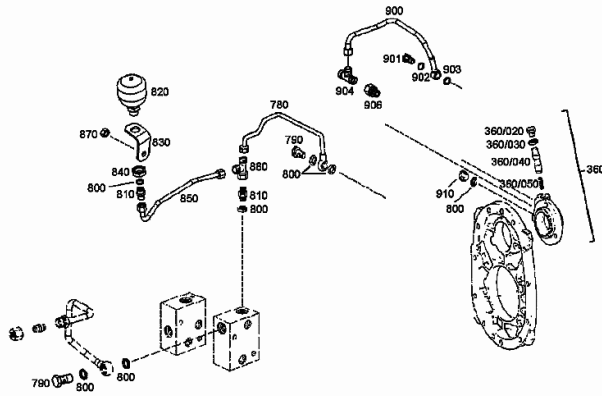
HYDRAULIC CONTROL - [2095 009 053]

Fig.	Code	QTY	Name
10	0.900.0286.5	1	box (...) <-
10	0.900.0957.8	1	box -> (...)
12	04415909	1	ball -> (...)
20	0.900.0286.6	1	piston (...) <-
20	0.900.0957.9	1	piston -> (...)
30	0.900.0291.0	6	screw
40	0.010.3820.1	2	pin m 6 x 20
50	0.900.0277.8	1	position sensor
60	0.900.0470.1	2	screw m 4 x 16
70	0.000.0000.1	1	not serviceable
70.10	0.900.0280.6	1	stop
70.20	02315144	1	'o' ring 38x2.5
80	04431661	2	electro valve (...) <-
80	0.900.0952.6	2	electro valve -> (...)
90	0.900.0280.3	2	screw
100	04415909	5	ball
110	0.000.0000.1	2	not serviceable
110.10	0.900.0280.5	2	plug m 10 p.1
110.20	04415683	2	'o' ring 8x1.5
120	0.900.0286.3	1	cover
130	0.900.0286.4	1	gasket
140	0.900.0283.7	1	support
150	0.900.0279.1	1	ring
160	0.900.0953.5	4	screw



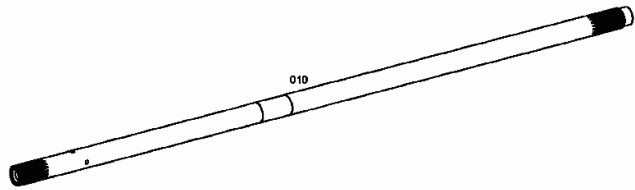
Section: D0 - TRANSMISSION
P.T.O. SHAFT - [2095 009 053]

Fig.	Code	QTY	Name
360	0.010.3229.0	1	cover
360.20	04417591	1	plug
360.30	04436331	1	'o' ring 16 x 20
360.40	04424374	1	piston
360.50	04417367	1	spring
780	0.010.3455.2	1	pipng
790	0.900.0282.1	2	pipe union
800	04423731	7	'o' ring 14 x 18
810	04417466	2	pipe fitting
820	04439224	1	air accumulator
830	0.010.3456.0	1	angular
840	0.900.0953.6	1	nut
850	0.900.0490.9	1	tube
870	0.900.0281.4	1	nut m 12
880	04417783	1	pipe fitting
900	0.900.0283.5	1	tube
901	04427560	1	pipe union
902	0.900.0290.6	1	circlip
903	04436331	1	'o' ring 16 x 20
904	04431782	1	threaded joint
906	0.900.0282.4	1	pipe union
910	0.900.0280.7	1	stop



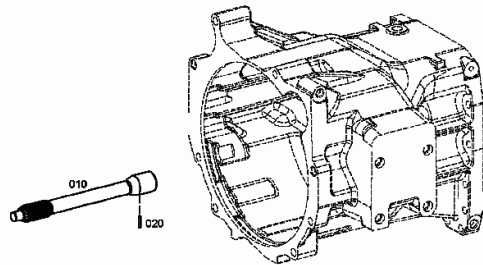
P.T.O. - POWER TAKE OFF - [2095 009 041]

Fig.	Code	QTY	Name
10	0.900.0066.8	1	transmission shaft



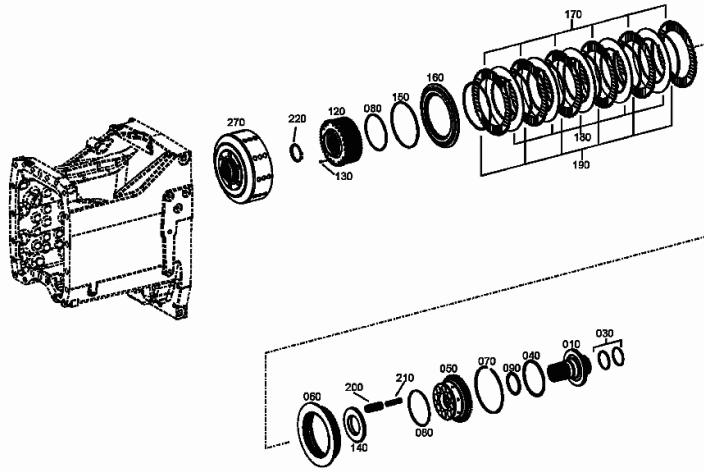
HOLLOW DRIVE SHAFT - [2095 009 041]

Fig.	Code	QTY	Name
10	04416653	1	shaft
20	0.010.3275.0	1	pin 4 x 26



Section: D0 - TRANSMISSION
CLUTCH - [2095 009 041]

Fig.	Code	QTY	Name
150	0.900.0015.3	1	washer mm 2.40
150	0.900.0015.4	1	washer mm 2.50
160	04416788	1	disc
170	04419769	6	disc Z = 10 (...) <-
170	0.900.0881.9	6	disc -> (...)
180	04416795	5	thin plate
190	04416796	6	stop
200	0.010.3420.1	8	spring
210	04431765	8	spring
220	0.900.0289.9	1	circlip 50x3
270	0.010.3594.1	1	clutch housing (...) <-
270	0.900.0949.2	1	clutch housing -> (...)



Section: D0 - TRANSMISSION
LAYSHAFT - [2095 009 042]

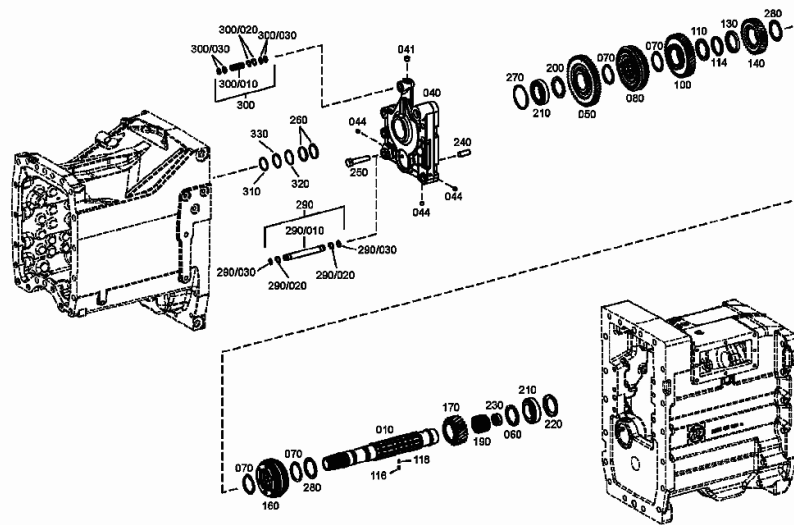
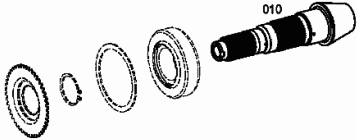


Fig.	Code	QTY	Name
10	0.900.0284.6	1	shaft - UP TO ZF GEARBOX SERIAL NO.: 1760792
10	0.900.0956.3	1	shaft - FROM ZF GEARBOX SERIAL NO.: 1760793
40	0.900.0284.0	1	support
41	0.010.3780.2	1	plug
44	04415909	3	ball
50	0.900.0284.4	1	gear z = 53 - UP TO ZF GEARBOX SERIAL NO.: 1760792
50	0.900.0956.2	1	gear - FROM ZF GEARBOX SERIAL NO.: 1760793
60	04416108	1	shim mm 3.2
70	04416096	4	circlip
80	0.900.0277.7	1	lock synchronizer - UP TO ZF GEARBOX SERIAL NO.: 1760792
100	04438441	1	gear Z = 41
110	04416099	1	shim mm 4.0
114	04416100	1	ring
116	04416101	1	pin 4x8
118	04416102	1	pin 2.5x8
130	04416103	1	shim
140	0.900.0284.5	1	gear - UP TO ZF GEARBOX SERIAL NO.: 1760792
140	0.900.0956.1	1	gear - FROM ZF GEARBOX SERIAL NO.: 1760793
160	0.900.0462.5	2	lock synchronizer
170	0.900.0284.7	1	gear wheel
190	04416107	1	roller cage
200	0.000.0000.1	1	not serviceable
200	04416108	1	shim mm 3.2
200	04416109	1	shim mm 3.5
200	0.010.3418.0	1	washer mm 3.3
200	0.900.0293.2	1	thrust plate mm 3.4
210	04416948	2	bearing
220	04416111	1	lamination
230	04416112	1	bearing
240	04395747	2	cylindrical plug 12 m 6x30

BEVEL WHEEL GEAR - [2095 009 042]

Fig.	Code	QTY	Name
10	04416393	1	pinion Z = 10



Section: D0 - TRANSMISSION
GEARBOX - [2095 009 042]

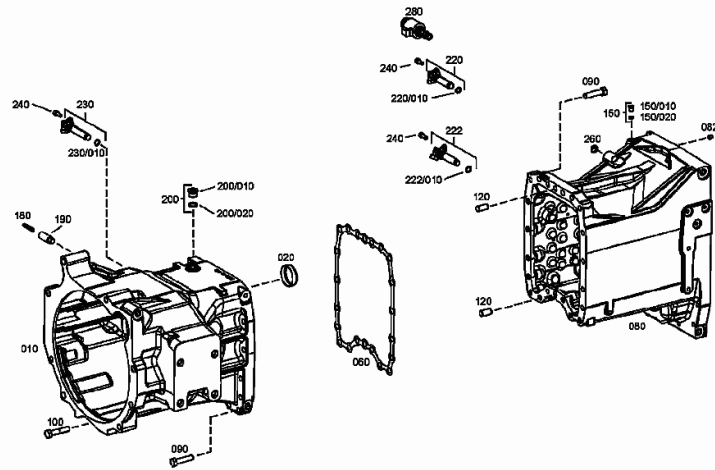
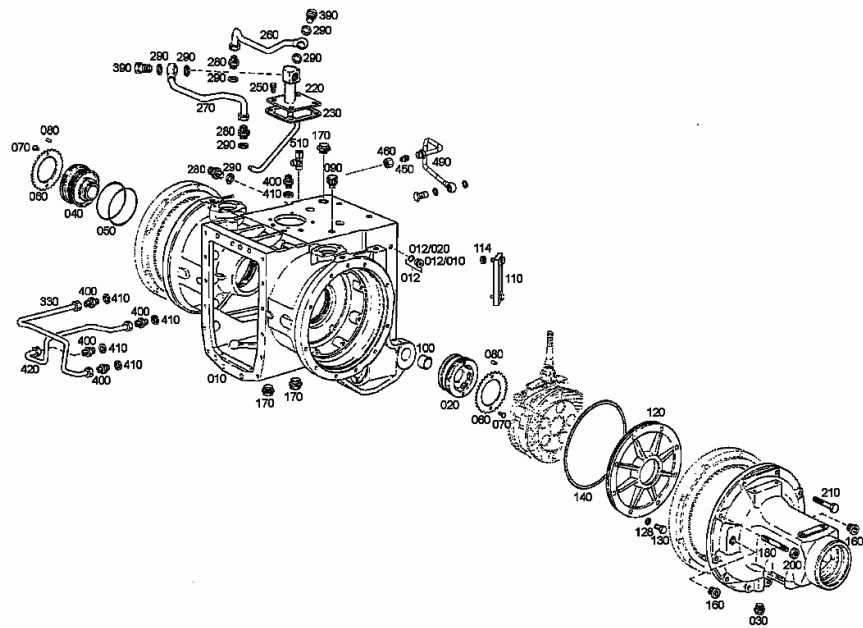


Fig.	Code	QTY	Name
10	0.900.0957.6	1	clutch assy
20	01138947	2	cover
60	04416741	1	gasket
80	0.900.0286.8	1	box
82	0.010.3780.2	1	plug
90	0.900.0290.9	18	screw m 14 x 60
100	0.900.0953.4	2	screw
120	04416090	2	cylindrical plug 16 m 6x30
150	0.000.0000.1	1	not serviceable
150.10	0.900.0291.1	1	plug
150.20	04415796	1	'o' ring 9.5x2
180	04415972	1	spring
190	04415971	1	small piston
200	0.000.0000.1	1	not serviceable
200.10	04436295	1	screw m 24 p.1.5
200.20	04436296	1	ring 21x2
220	0.010.3342.2	1	position sensor
220.10	04417747	1	'o' ring 15.54x2.62
222	04438438	1	position sensor
222.10	04417747	1	'o' ring 15.54x2.62
230	04438449	1	position sensor
230.10	04417747	1	'o' ring 15.54x2.62
240	04434551	3	screw m 8 p.1.25 x 20
260	04438451	1	small mesh
280	0.900.0881.8	1	electro valve

REAR GEARBOX CASE - [2095 009 042]

Fig.	Code	QTY	Name
460	04417788	1	nut
490	0.900.0490.8	1	tube
510	04417783	1	pipe fitting

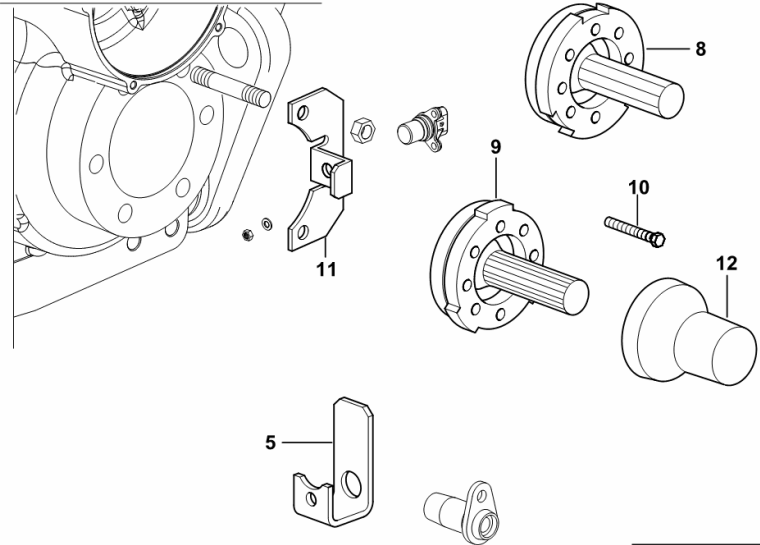


COMPLETION

Fig.	Code	QTY	Name
------	------	-----	------

Notes:
 - EXPORT U.S.A. [IRON 100]

5	04418427	1	bracket
8	04455065.3	1	p.t.o.shaft z = 6
9	04455303.3	1	p.t.o.shaft
10	2.0119.251.2	8	screw
11	0.012.9605.0	1	support
12	0.012.9643.0/10	1	guard



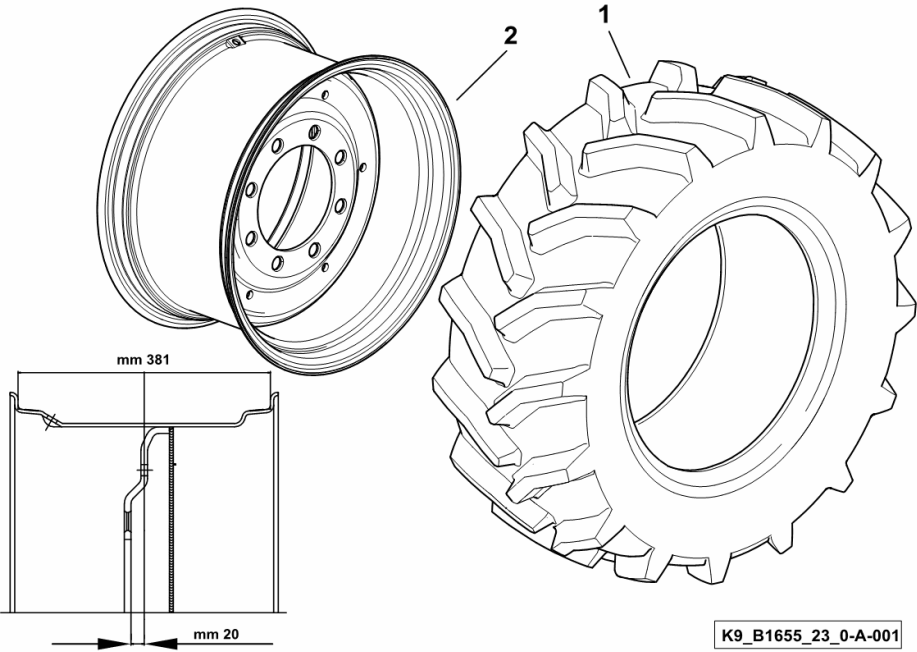
K9_B1684_02_0-A-001

Section: S0 - WHEELS
WHEELS 16.9R24" 134A8

Fig.	Code	QTY	Name
------	------	-----	------

Notes:
[IRON 100]

1	2.4811.057.0	2	tyre 420/85R24"(16.9R24" a8)
2	04453817	2	rim W15Lx24"

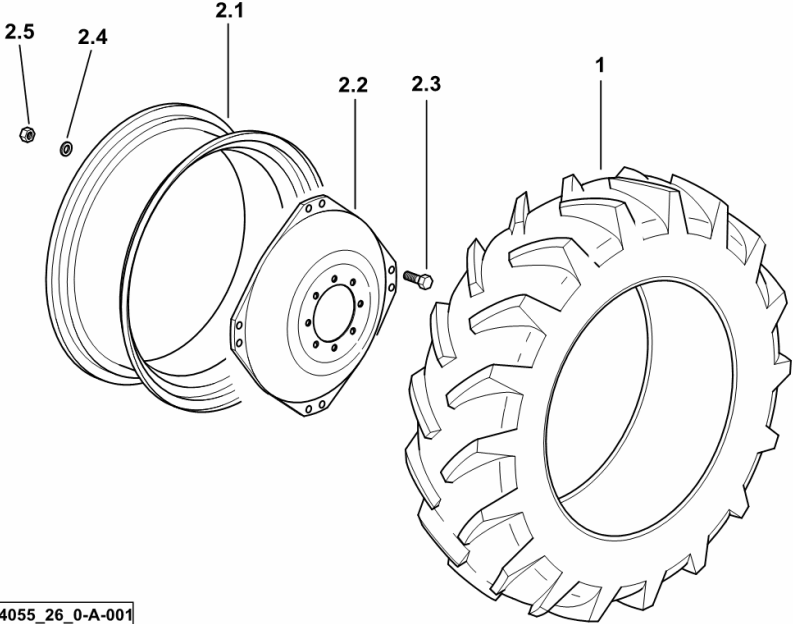


Section: S0 - WHEELS
WHEELS 480/70r24" a8

Fig.	Code	QTY	Name
------	------	-----	------

Notes:
[IRON 100]

1	2.4811.090.0	2	tyre 480/70R24"
2.1	04425891	1	rim W 15Lx24"
2.2	04454694	1	rim center flange
2.3	04425885	8	screw m 16 p.1.5
2.4	04425886	8	washer
2.5	04425887	8	nut m 16 p.1.5



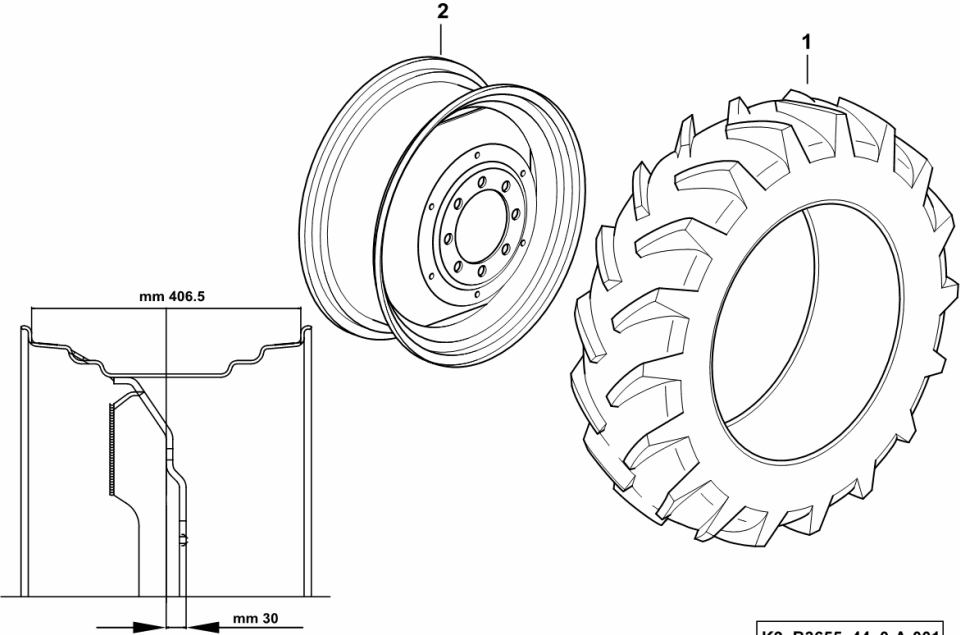
K9_A4055_26_0-A-001

Section: S0 - WHEELS
WHEELS 540/65R30"

Fig.	Code	QTY	Name
------	------	-----	------

Notes:
[IRON 100]

1	2.4811.127.0	2	tyre 540/65R30"143A8
2	04454652	2	rim



K9_B3655_44_0-A-001

CLICK HERE TO **DOWNLOAD** THE COMPLETE MANUAL

- Thank you very much for reading the preview of the manual.
- You can download the complete manual from: www.heydownloads.com by clicking the link below



- Please note: If there is no response to CLICKING the link, please download this PDF first and then click on it.

CLICK HERE TO **DOWNLOAD** THE COMPLETE MANUAL