

EXPLORER 80 C ERGOMATIC

ACCESSORIES

GENERAL

AUXILIARY HYDRAULIC DISTRIBUTOR.....	0E.00.1
HYDRAULIC DISTRIBUTOR-PARTS.....	0E.00.2
3 POINT HITCH.....	0E.00.3
FRONT TOWING HITCH.....	0E.00.4
TOWING BAR.....	0E.00.5
FRONT BALLAST.....	0E.00.6
P.T.O. GUARD.....	0E.00.7
TOOL POUCH.....	0E.00.8
HYDRAULIC DISTRIBUTOR-PARTS.....	0.98281.10.6/20.A
ENGAGEMENT.....	0.98308.50.3/10.A

CLICK HERE TO **DOWNLOAD** THE COMPLETE MANUAL

- Thank you very much for reading the preview of the manual.
- You can download the complete manual from: www.heydownloads.com by clicking the link below

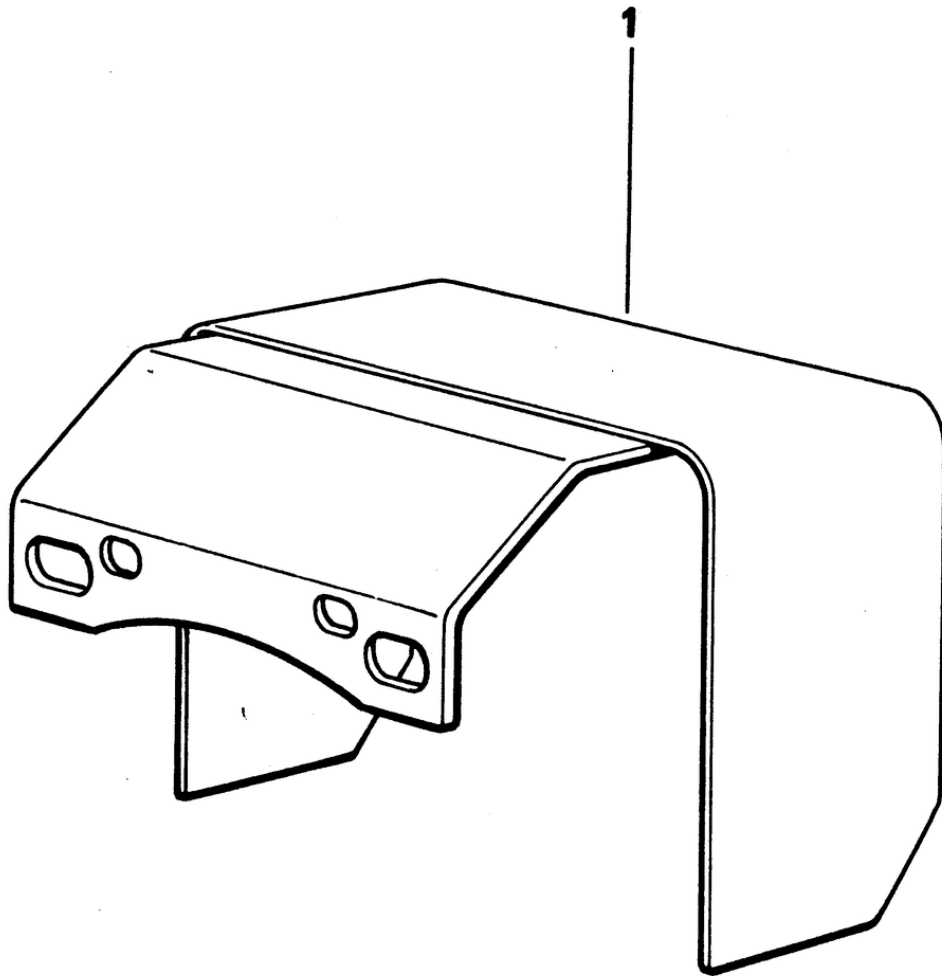


- Please note: If there is no response to CLICKING the link, please download this PDF first and then click on it.

CLICK HERE TO **DOWNLOAD** THE COMPLETE MANUAL

P.T.O. GUARD

Fig.	Code	QTY	Name
1	0.007.9484.3/20	1	guard



217 00-76-1 | 1 *

DEFLECTORS AND SUPPORTS -> 1259

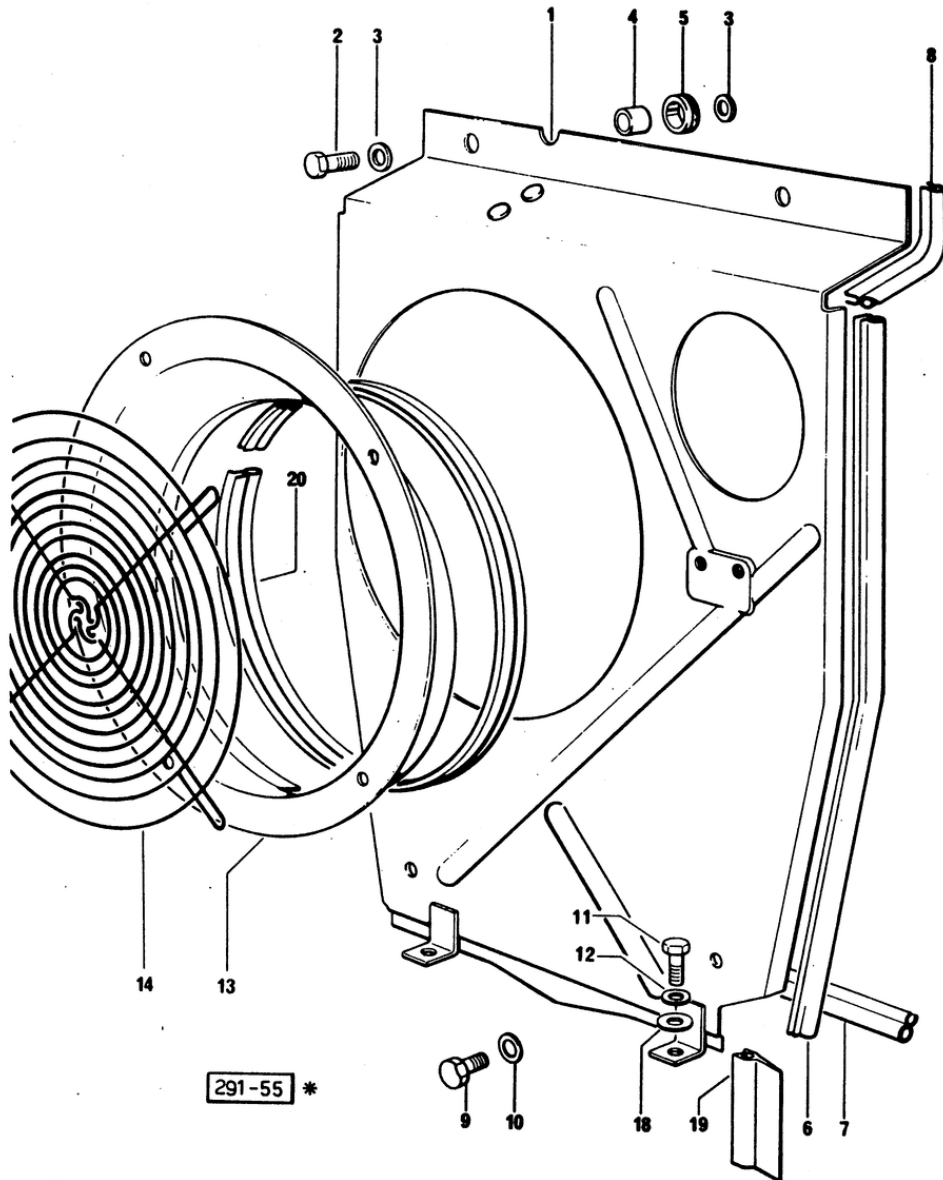
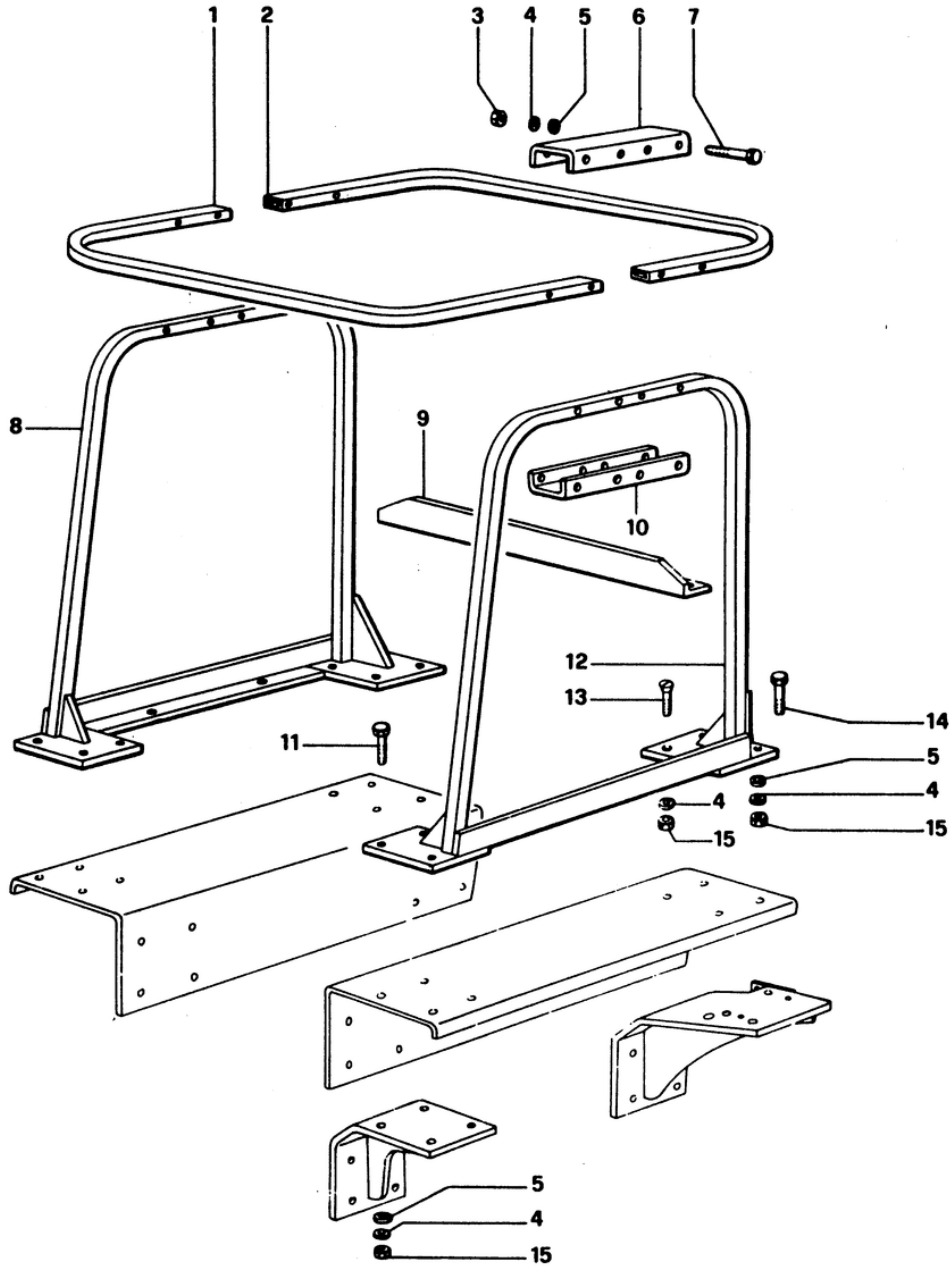


Fig.	Code	QTY	Name
1	0.291.7352.3/20	1	division
2	2.0112.207.2	2	screw m 8 p 1.25 x 20
3	2.1599.245.0	4	snoulder 8.5 x 32 x 2.0
4	2.1579.120.2	2	spacer 8.8x12x9.5
5	0.157.7693.0	2	rubber plug
6	0.445.7365.0	2	gasket
7	0.451.7353.0	1	gasket
8	0.451.7354.0	2	gasket
9	2.0112.005.2	2	screw m 6 p.1 x 16
10	2.1470.002.2	2	washer 6, d128
11	2.0112.205.2	2	screw m 8 p.1.25 x 16
11	2.0112.307.2	2	screw m 10 p.1.5 x 20
12	2.1470.004.2	2	washer 8
12	2.1470.006.2	2	lock washer 10
13	0.445.7315.0/10	1	duct
14	0.077.1737.2/10	1	guard
18	2.1310.004.2	2	flat washer 8.5
18	2.1310.006.2	2	flat washer 10.5
19	0.290.7371.0	1	gasket
20	0.445.7351.0/10	1	gasket

Section: BODY WORK

SAFETY ARCH

Fig.	Code	QTY	Name
1	0.292.7815.0	1	crosspiece
2	0.292.7816.0	1	crosspiece
3	2.1011.408.2	8	nut m 14 p.1.5
4	2.1310.009.2	26	flat washer 14
5	2.1470.008.2	8	lock washer 14
6	0.169.7853.0/10	2	u bolt
7	2.0122.537.2	8	screw
8	0.292.7813.2	1	chassis frame
9	0.292.7850.2	1	brace
10	0.169.7852.0/10	2	u bolt
11	2.0112.517.2	10	screw m 14 p.2 x 45
12	0.292.7814.2	1	chassis frame
13	2.0342.611.3	2	screw m 14 x 45
14	2.0112.520.2	2	screw m 14 p.2 x 55
15	2.1011.108.2	10	nut m 14 p.2



292-82 *

EXPLORER 80 C ERGOMATIC

ELECTRIC AL SYSTEM

GENERAL

ELECTRIC LIGHTING SYSTEM.....	08.00.1
HEADLAMP COMPONENTS.....	08.00.2
HEADLAMP COMPONENTS.....	08.00.3
ELECTRIC STARTING SYSTEM.....	08.00.4
ELECTRIC STARTING SYSTEM.....	08.00.5
ALTERNATOR PARTS.....	08.00.6
ALTERNATOR PARTS 2.9439.300.0.....	08.00.8
STARTER PARTS.....	08.00.9
STARTER PARTS.....	08.00.10
POWER OUTLET SOCKET.....	2.6032.011.0.A
TANK INDICATOR.....	2.7059.410.0.A
HEADLAMP COMPONENTS.....	2.8019.760.0/10.A
HEADLAMP COMPONENTS.....	2.8019.800.0.A
HEADLAMP COMPONENTS.....	2.8029.240.0/10.A
HEADLAMP COMPONENTS.....	2.8029.300.0.A
HEADLAMP COMPONENTS.....	2.8029.670.0.A
ALTERNATOR PARTS.....	2.9439.570.0.A
STARTER PARTS.....	2.9619.390.0.A

STARTER PARTS

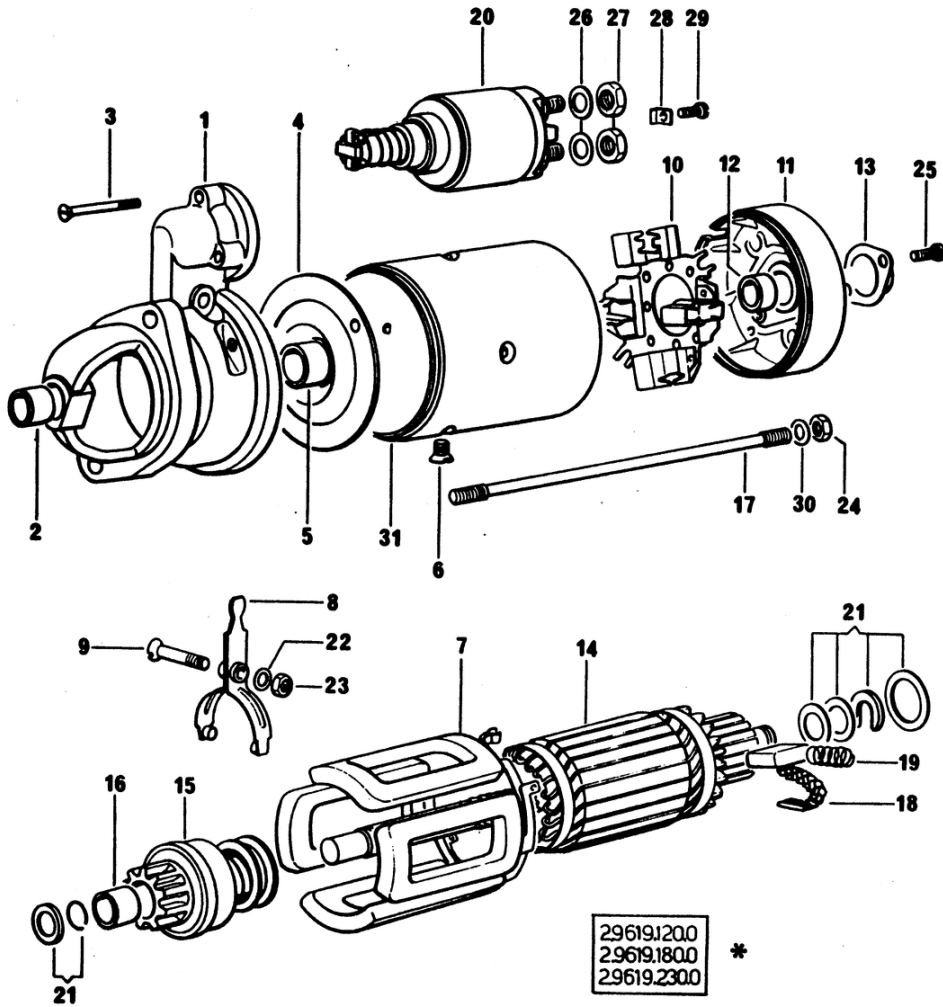
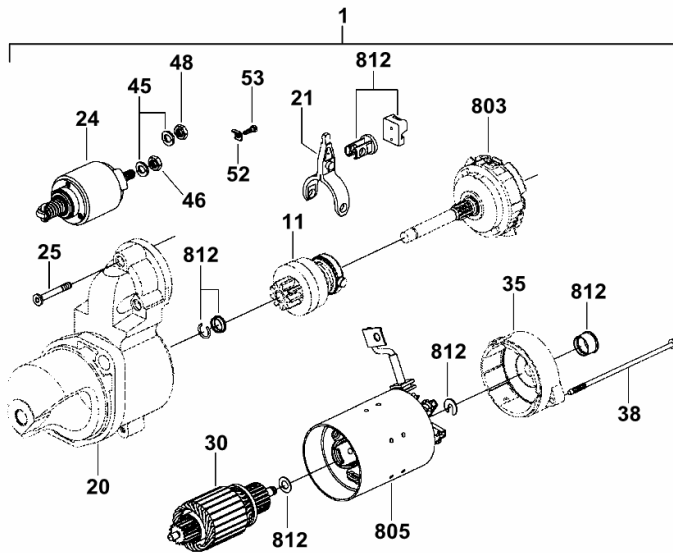


Fig.	Code	QTY	Name
0	2.9619.390.0	1	starter motor 12 V, 3 kW, Z = 9 ☞ 2.9619.390.0
1	2.9619.181.2	1	support
2	2.9619.080.3	1	sleeve
3	2.9619.082.3	3	screw
4	2.9619.180.2	1	support
5	2.9619.090.7	1	sleeve mm 23
6	0.002.2340.0	4	screw m 10 p.1.5x18
7	2.9619.180.7	1	field winding
8	01307218	1	gear lever
9	2.9619.180.5	1	screw
10	2.9619.181.0	1	brush holder
11	2.9619.083.5	1	support
12	2.9619.090.7	1	sleeve mm 23
13	2.9619.083.6	1	cover
14	2.9619.180.1	1	armature
15	2.9619.230.1	1	pinion z=9
16	2.9619.180.4	2	sleeve
17	2.9619.180.6	2	rod
18	2.9619.180.9	1	brush set
19	2.9619.180.8	4	spring
20	2.9619.110.8	1	switch
21	2.9619.021.9	1	accessories
22	2.1470.004.2	1	washer 8
23	2.1011.105.2	1	nut m 8 p.1.25
24	2.1011.103.2	2	nut m 6 p.1
25	2.0332.305.2	2	screw m 5 p.0.8 x 14
26	2.1470.006.2	2	lock washer 10
27	0.000.0000.1	1	not serviceable
28	2.9619.090.6	1	small plate
29	2.0332.202.2	1	screw m 4 x 8
30	2.1310.002.3	2	flat washer 6.4 x 12 x 1.6
31	0.000.0000.1	1	not serviceable

STARTER PARTS

Fig.	Code	QTY	Name
1	2.9619.390.0	1	starter motor 12 V, 3 kW, Z = 9
11	0.010.3566.1	1	pinion
20	0.010.3566.0	1	support
21	0.010.3566.2	1	lever
24	0.010.3567.0	1	switch
25	0.010.3567.1	3	screw
30	0.010.3567.2	1	armature
35	0.010.3568.0	1	support
38	0.010.3568.1	2	screw
45	0.010.3568.2	0	washer
46	0.000.0000.1	0	not serviceable
48	0.000.0000.1	0	not serviceable
52	2.9619.090.6	1	small plate
53	0.010.3569.0	1	screw
803	0.010.3569.1	1	gear
805	0.010.3569.2	1	brush holder
812	0.010.3570.0	1	accessories



2_9619_390_0

Section: ENGINE
CYLINDER HEAD

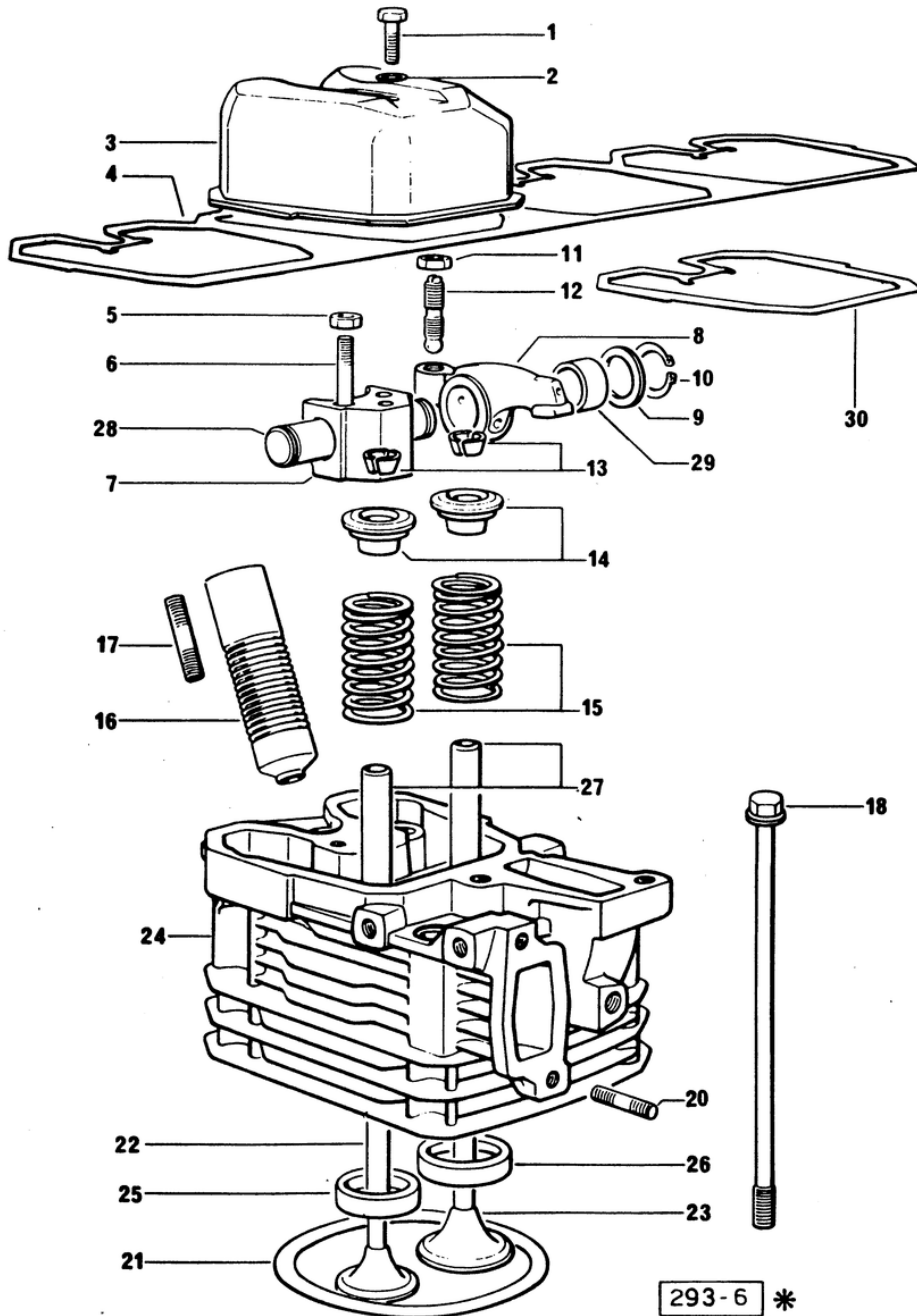


Fig.	Code	QTY	Name
24	0.081.1410.3/10	4	engine head X 1000.4 A
25	0.066.1427.0	4	valve seat mm 40.653
26	0.066.1426.0	4	valve seat X 916.4 A
26	0.078.1426.0	4	valve seat mm 45.118 X 1000.4 A
27	0.007.1779.0/20	8	valve guide
28	0.066.1431.0	4	pin
29	2.1559.021.0/40	8	bushing 19x22x14
30	0.066.1450.0	4	gasket

CLICK HERE TO **DOWNLOAD** THE COMPLETE MANUAL

- Thank you very much for reading the preview of the manual.
- You can download the complete manual from: www.heydownloads.com by clicking the link below



- Please note: If there is no response to CLICKING the link, please download this PDF first and then click on it.

CLICK HERE TO **DOWNLOAD** THE COMPLETE MANUAL

Section: ENGINE

FUEL SUPPLY SYSTEM

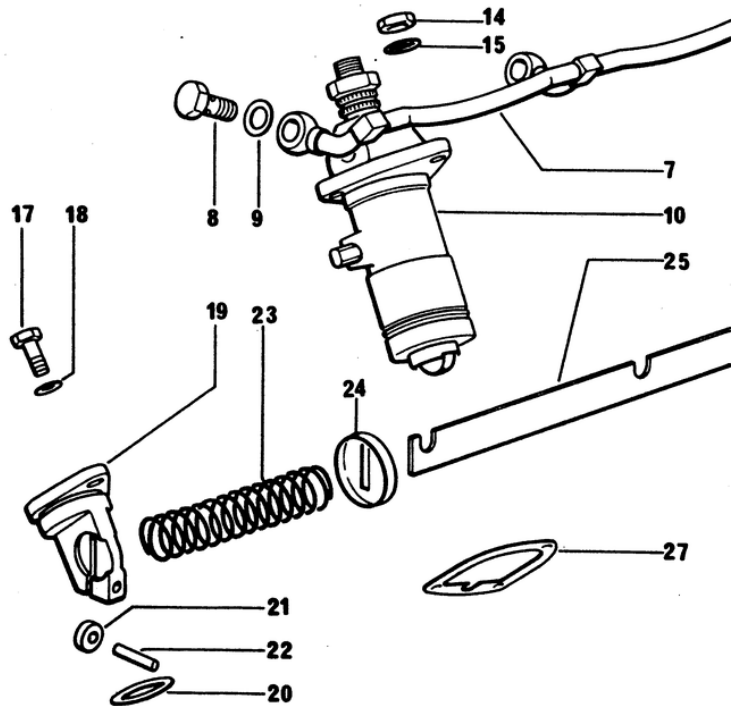
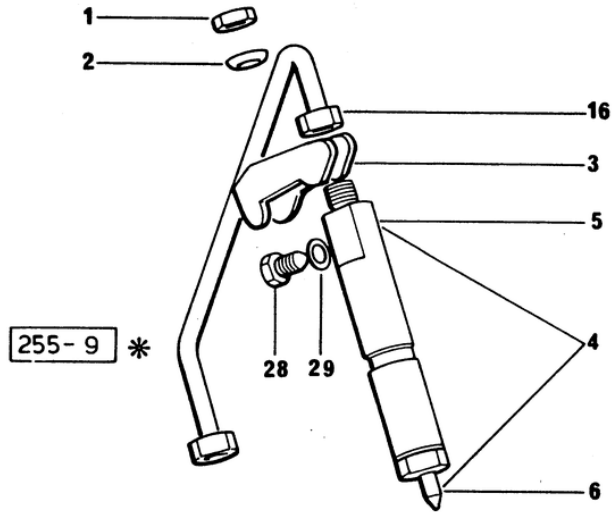
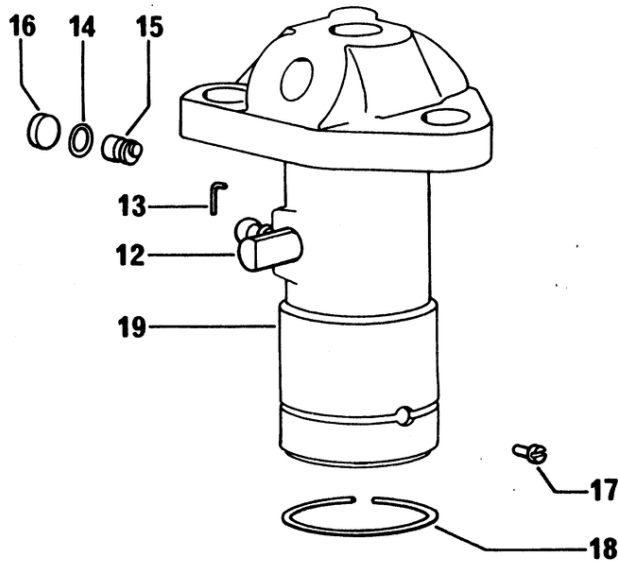
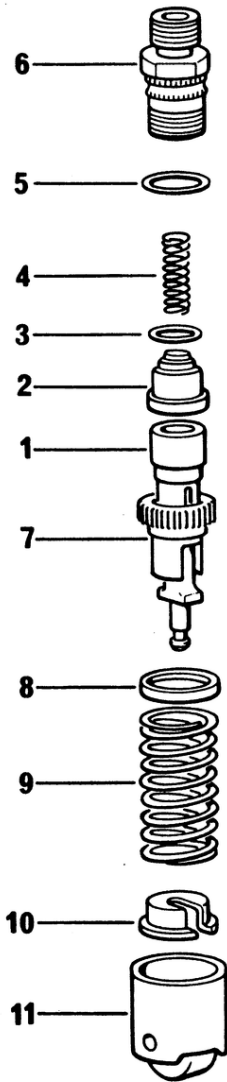


Fig.	Code	QTY	Name
			☞ 01.00.21
			☞ 01.00.20
14	2.1011.405.2	12	nut m 8 p.1
15	2.1599.458.0/10	12	snoulder 8.4x18x2
16	0.065.1650.3	4	tube
17	2.0112.207.2	2	screw m 8 p 1.25 x 20
18	2.1470.004.2	2	washer 8
19	0.065.1693.0/30	2	support
20	2.1530.072.0	2	'o' ring 26.70x1.78
21	0.065.1660.0	2	roller
22	2.1651.507.0	2	pin 6 x 16
23	2.4019.314.1/20	1	spring 21.5x76x1
24	0.065.1659.0	1	stop
25	0.065.1613.3/20	1	rod
27	0.065.1655.0/10	1	shim mm 0.1
27	0.065.1656.0/10	1	shim mm 0.20
28	2.3119.024.2	4	plug m 6
29	2.1560.001.0	4	gasket 6.2x10

INJECTION PUMP PARTS

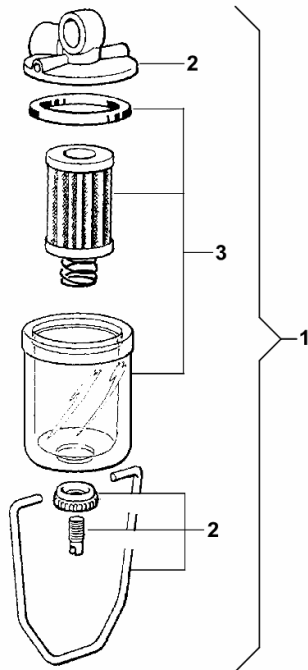


2.4619.010.0	*
2.4619.030.0	

Fig.	Code	QTY	Name
0	2.4619.031.0	1	injector pump "A" ☞ 2.4619.031.0
0	2.4619.031.1	1	injector pump "B" ☞ 2.4619.031.1
0	2.4619.031.2	1	injector pump "C" ☞ 2.4619.031.2
0	2.4619.031.3	1	injector pump "D" ☞ 2.4619.031.3
1	2.4619.030.1	1	pumping element
2	0.010.2630.0	1	fuse
3	2.4629.150.6	1	gasket
4	0.002.1710.0	1	spring
5	2.4669.070.7	1	gasket
6	2.4619.010.3	1	pipe fitting
7	2.4619.010.4	1	sleeve mm 16.88
8	2.4629.151.6	1	stop
9	2.4639.090.5	1	spring
10	2.4619.010.5	1	cap-washer
11	2.4639.090.7	1	tappets
12	2.4619.010.7	1	rod
13	2.4629.151.8	2	pin
14	2.4649.280.8	1	'o' ring
15	2.4649.280.7	1	pin
16	2.4649.280.9	1	plug
17	2.4619.010.8	1	pin
18	2.4619.010.9	1	circlip
19	0.000.0000.1	1	not serviceable

PRE-FILTER - COMPONENTS

Fig.	Code	QTY	Name
1	2.4319.220.0	1	precleaner
2	0.000.0000.1	0	not serviceable
3	2.4319.220.6	1	fuel filter element



2_4319_220_0

EXPLORER 80 C ERGOMATIC

Section: FRONT AND REAR P.T.O.

Ref.: 05.00.3

P.T.O. - HYDRAULIC CLUTCH (...) <-

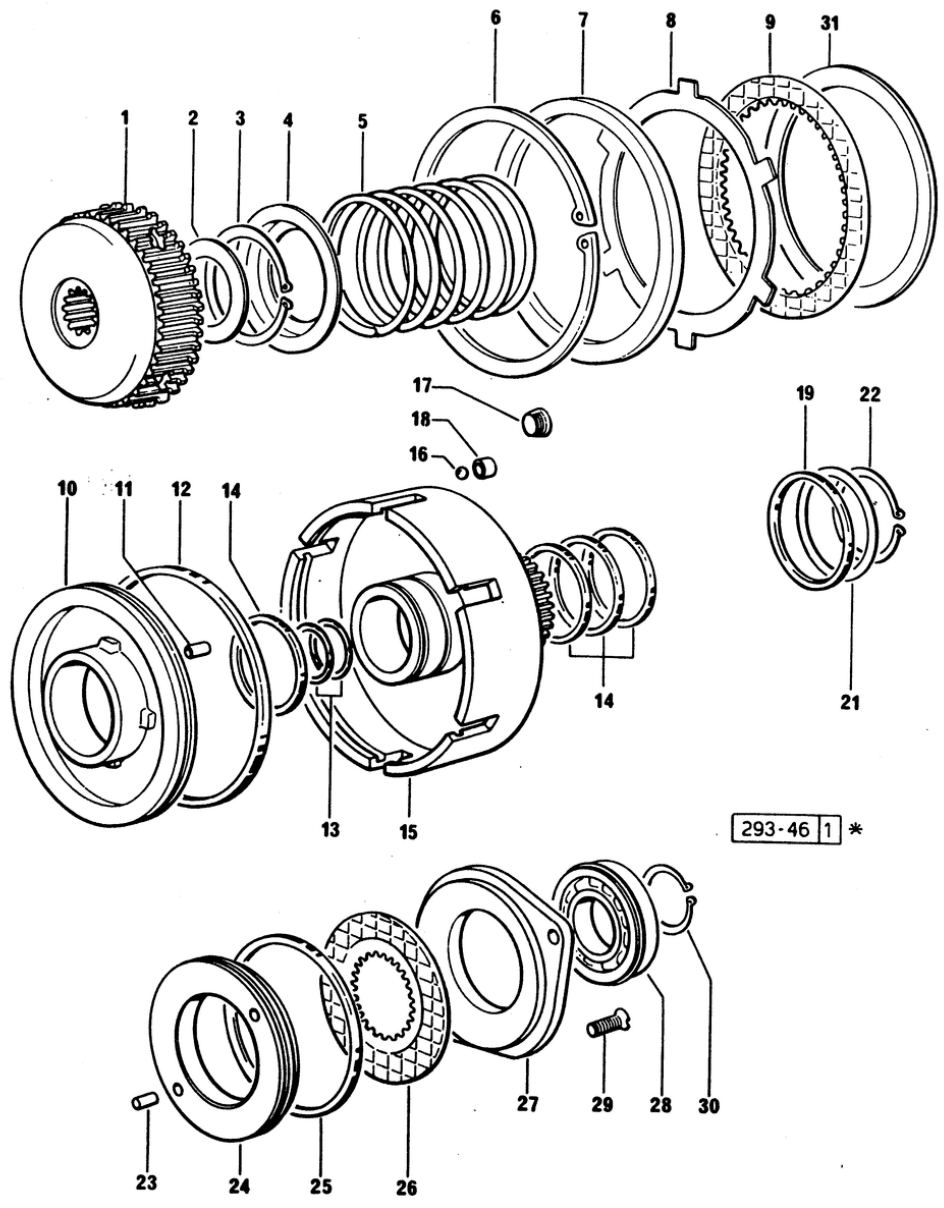
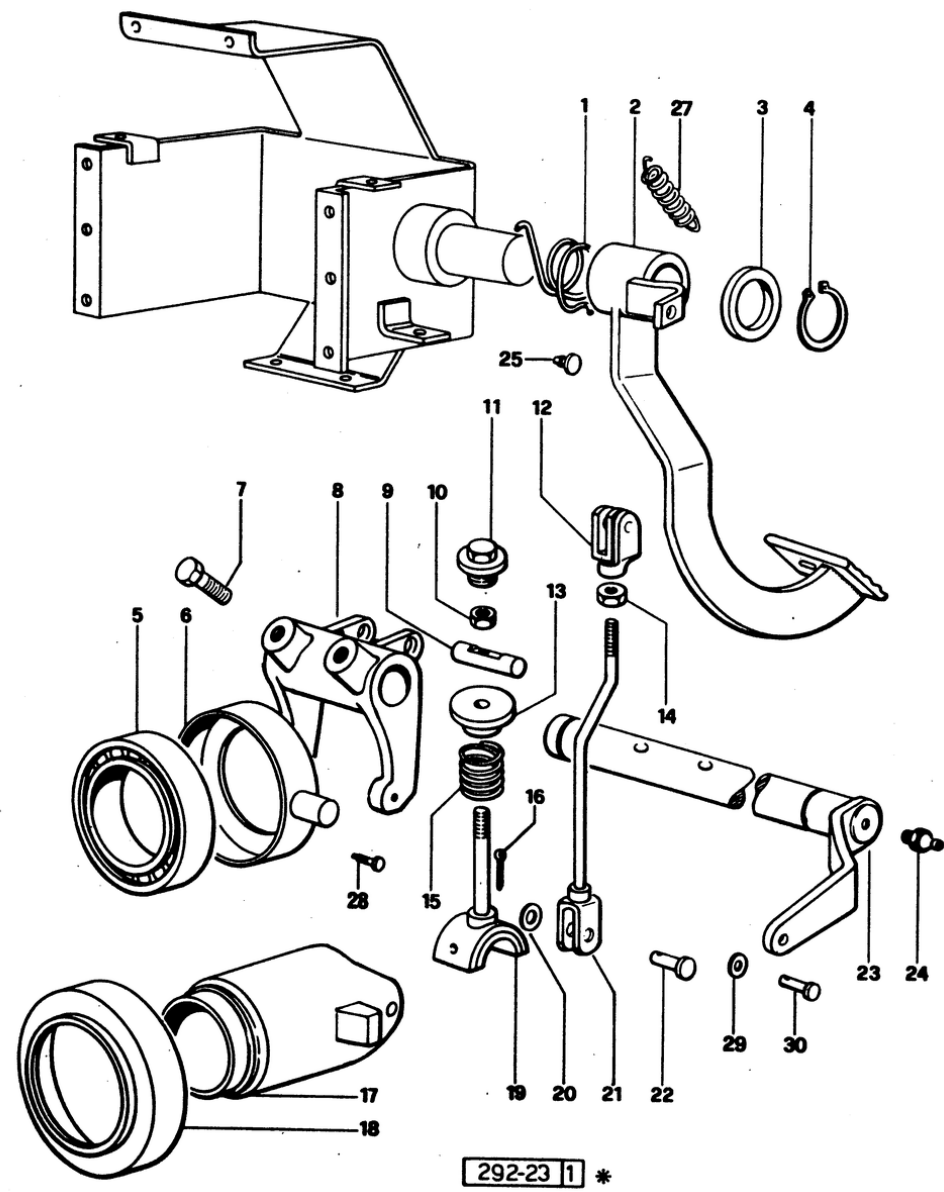


Fig.	Code	QTY	Name
1	0.445.3932.0/20	1	hub
2	2.1599.415.0	1	snoulder 35x52x1
3	2.1419.027.1	1	circlip 48
4	0.255.3933.0	1	disc
5	2.4019.281.1	1	spring
6	2.1411.046.1	1	circlip 130
7	0.255.3937.0	1	disc
8	0.013.9453.0	5	disc
9	0.255.3935.2	4	disc
10	0.255.3938.0	4	piston
11	2.1630.406.0	1	roll pin 4 x 12
12	2.1569.108.0	1	gasket
13	2.1530.062.0	2	'o' ring 23.81 x 2.62
14	2.1569.109.0	4	gasket 46x50x2
15	0.275.3910.0/50	1	body
15	0.275.3910.0	1	body
16	2.2810.001.0	1	ball mm 5.556
17	2.3131.002.2	1	plug m 14 p.1.5
18	0.255.3952.0	1	valve body
19	2.1569.110.0	1	gasket
21	2.1599.416.0	1	snoulder 50x58x1
22	2.1419.027.1	1	circlip 48
23	2.1651.506.0	2	cylindrical plug 6 x 14
24	0.255.3922.0	1	piston
25	2.1569.107.0	1	gasket
26	0.014.0360.2	1	disc
27	0.292.3926.0	1	cover
28	2.2040.009.0	1	ball bearing iso 30 bc 02
29	2.0342.305.2	2	screw m 8 p.1.25 x 20
30	2.1410.012.1	1	circlip 30
31	2.1599.499.0	1	snoulder 110 x 126.5 x 1.2

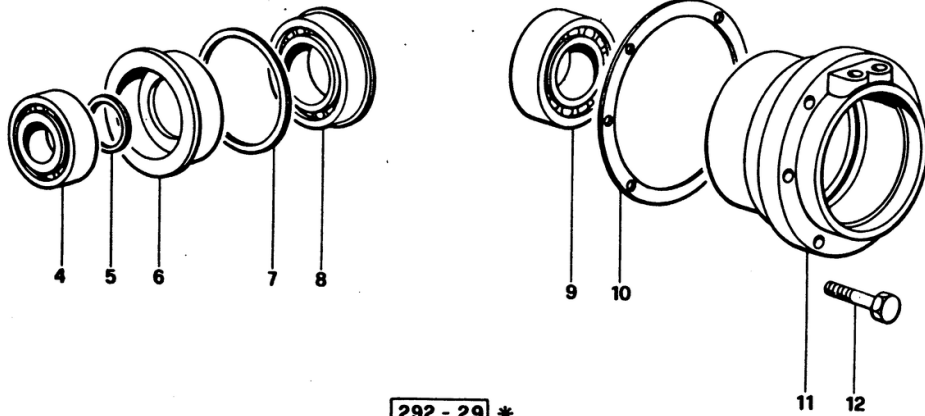
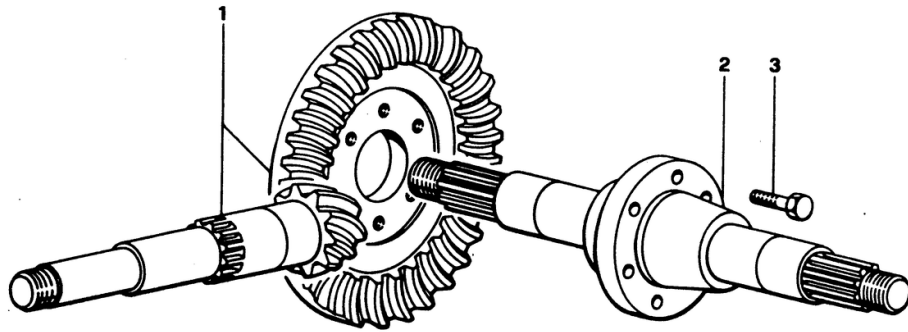
Section: GEAR
CLUTCH CONTROL

Fig.	Code	QTY	Name
1	2.4099.050.1/10	1	spring
2	0.292.6510.3/30	1	pedal
3	2.1579.396.0	1	spacer
4	2.1410.010.1	1	circlip 25
5	2.2041.017.0	1	ball bearing 50 x 90 x 20
5	2.2999.475.0	1	1128 <- bearing 55x90x22 >- 1129
6	0.292.6544.0	1	ring
7	2.0399.514.1	2	screw m 14 p.1.5x30
8	0.292.6532.0	1	fork
8	0.292.6532.0/20	1	1128 <- fork >- 1129
9	0.292.6552.0/10	1	pin
10	2.1120.005.2	1	nut m 8 p.1.25
11	2.3199.120.0	1	plug
12	2.3519.014.2/10	1	fork
13	0.292.6551.0	1	washer
14	2.1011.105.2	1	nut m 8 p.1.25
15	2.4019.416.1	1	spring
16	2.1690.206.2	1	split pin 2x16
17	0.292.6533.3	1	-
17	0.007.9302.0	1	1128 <- sleeve >- 1129
18	0.292.6556.3	1	bearing >- 1005 1128 <-
18	0.427.6553.0	1	clutch.pres plate 1004 <-
19	0.292.6550.3/10	1	shoe
20	2.1310.004.2	2	flat washer 8.5
21	0.292.6514.3/10	1	rod
22	2.1671.305.2	2	pin 8x22
23	0.292.6512.2/40	1	pin
24	2.3821.102.2	2	lubricator m 8 p.1 x 8
25	0.292.6157.0	1	rubber plug
27	2.4049.072.1	1	spring
28	2.0399.513.1	2	screw
29	2.1310.006.2	1	flat washer 10.5
30	2.1671.407.2	1	pin 10 x 28



Section: GEAR
DIFFERENTIAL

Fig.	Code	QTY	Name
1	0.292.3520.3/10	1	bevel gear z=44 z=8
2	0.292.3515.0/10	1	shaft Ø 44.5 / Z = 16
3	2.0139.024.2	12	screw m 14 p.1.5x40
4	2.2560.005.0	1	roller bearing 35 x 80 x 22.75
5	2.1599.001.0	1	snoulder 35.5x44x3
6	0.292.3550.0	1	ring
7	2.1589.167.0	2	snoulder 105 x 112 x 0.15
7	2.1589.168.0	2	snoulder 105 x 112 x 0.1
7	2.1589.169.0	2	snoulder 105 x 112 x 0.5
8	2.2999.183.0	1	bearing 50 x 105 x 32
9	2.2520.012.0	2	roller bearing 55 x 100 x 22.75
10	0.292.3551.0/20	3	shim mm 0,3
10	0.292.3552.0/20	2	shim mm 0,5
10	0.292.3553.0/20	2	shim mm 0,7
11	0.292.3512.0/20	2	support
12	2.0112.413.2	12	screw m 12 p.1.75x35

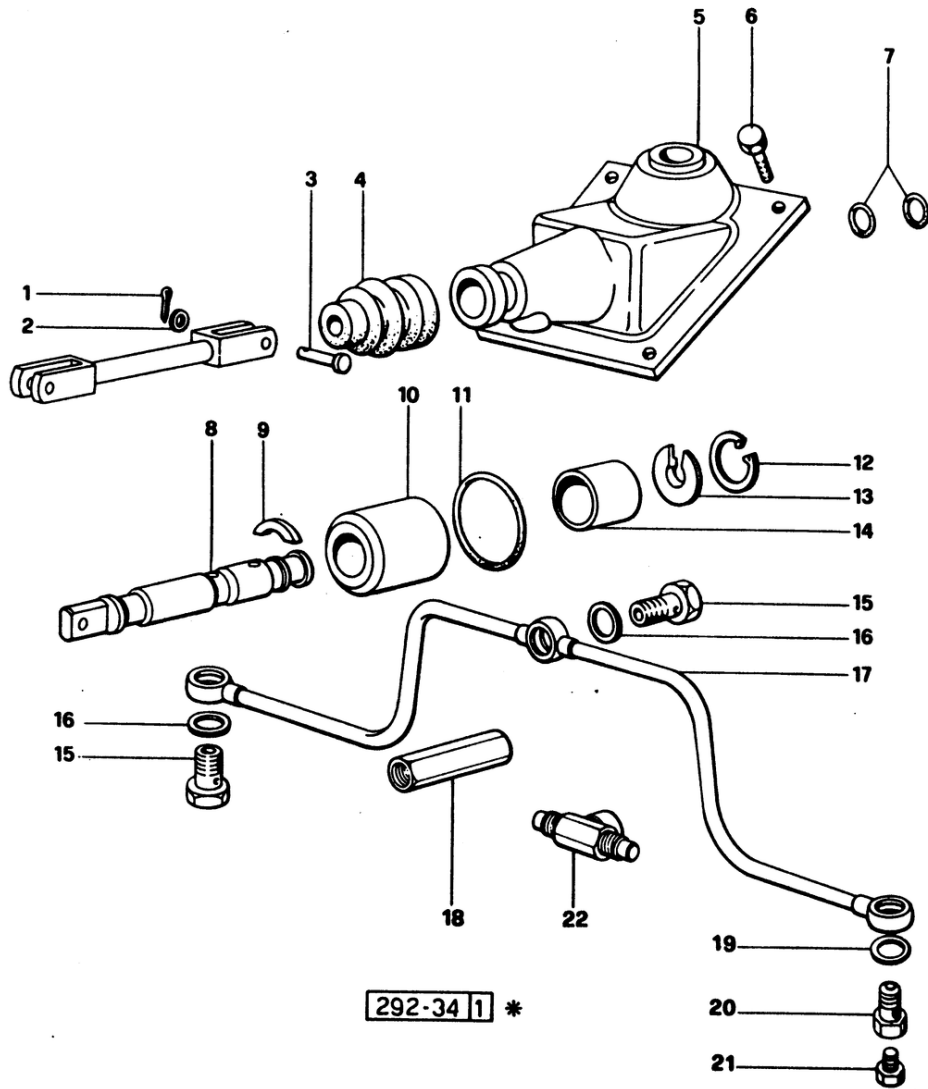


292 - 29 *

Section: REAR AXLE
BRAKE CONTROLS

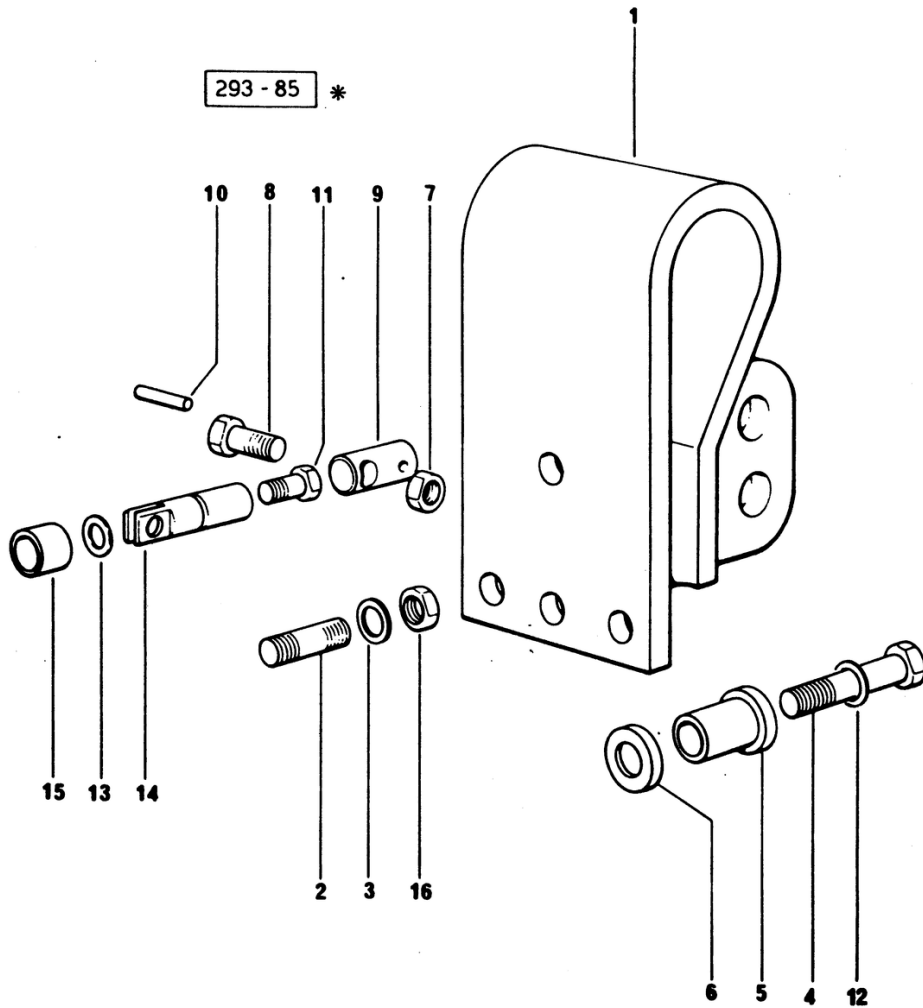
Fig.	Code	QTY	Name
------	------	-----	------

21	2.3110.422.7	1	plug m 12 p.1.25 x 10
22	2.3339.408.2	1	pipe fitting



SENSITIVE ELEMENTS

Fig.	Code	QTY	Name
1	0.9121.750.2	1	spring
2	2.0439.534.1	3	stud bolt
3	2.1474.011.2	3	spring washer 12
4	2.0122.526.2	1	screw
5	0.9108.751.0	1	spacer
6	0.9108.752.0	1	spacer
7	2.1011.521.2	1	nut m 10 p.1.25
8	2.0122.370.2	1	screw m 10 p.1.25 x 55
9	0.700.3756.0	1	pin
10	2.1630.509.0	1	pin 5x18
11	2.0399.533.1	1	screw
12	2.1470.008.2	1	lock washer 14
13	2.1530.024.0	1	'o' ring 10.78 x 2.62
14	0.9108.754.0	1	rod
15	2.1579.515.0	1	spacer
16	2.1011.307.2	3	nut m 12



CLICK HERE TO **DOWNLOAD** THE COMPLETE MANUAL

- Thank you very much for reading the preview of the manual.
- You can download the complete manual from: www.heydownloads.com by clicking the link below



- Please note: If there is no response to CLICKING the link, please download this PDF first and then click on it.

CLICK HERE TO **DOWNLOAD** THE COMPLETE MANUAL