

EXPLORER 75 (New)

ACCESSORIES

GENERAL

AUXILIARY SERVICE CONTROL VALVE FEED BOSCH.....	0E.00.1
AUXILIARY SERVICE CONTROL VALVE FEED SALAMI.....	0E.00.2
4-WAY AUXILIARY DISTRIBUTOR BOSCH.....	0E.00.3
4-WAY HYDRAULIC CONTROL VALVE BOSCH.....	0E.00.4
4/8-WAY AUXILIARY DISTRIBUTOR SALAMI.....	0E.00.5
4-WAY AUXILIARY DISTRIBUTOR SALAMI.....	0E.00.6
4-WAY HYDRAULIC CONTROL VALVE SALAMI.....	0E.00.7
8-WAY AUXILIARY DISTRIBUTOR BOSCH.....	0E.00.8
8-WAY AUXILIARY DISTRIBUTOR BOSCH.....	0E.00.9
8-WAY AUXILIARY DISTRIBUTOR SALAMI.....	0E.00.10
8-WAY AUXILIARY DISTRIBUTOR SALAMI.....	0E.00.11
BRACKET.....	0E.00.12
4-WAY QUICK COUPLERS.....	0E.00.13
8-WAY QUICK COUPLERS.....	0E.00.14
8-WAY QUICK COUPLERS.....	0E.00.15
4-WAY CONTROL VALVES - OIL RECOVERY.....	0E.00.16
8-WAY CONTROL VALVES - OIL RECOVERY.....	0E.00.17
OIL REGULATOR CONTROL.....	0E.00.18
3-POINT LINKAGE WITH AUTOMATIC COUPLERS A = mm 30.....	0E.00.19
3-POINT LINKAGE WITH AUTOMATIC COUPLERS A = mm 34.....	0E.00.20
3 POINT HITCH.....	0E.00.21
3 POINT HITCH.....	0E.00.22
3-POINT HITCH - ADJUSTABLE RH LIFT RODS.....	0E.00.23
THREE-POINT HITCH - MANUAL LATERAL STABILIZERS.....	0E.00.24
BRACKET FOR TOP LINK SUPPORT SPRING.....	0E.00.25
3 POINT HITCH.....	0E.00.26
3 POINT HITCH.....	0E.00.27
3-POINT HITCH WITH HYDRAULIC LIFT ROD dx/rh/re.....	0E.00.28
THREE-POINT HITCH - AUTOMATIC LATERAL STABILIZERS.....	0E.00.29
TOWING BAR.....	0E.00.30
FRONT TOWING HITCH.....	0E.00.31
FRONT TOWING HITCH.....	0E.00.32
FRONT TOWING HITCH.....	0E.00.33
REAR TOWING HITCH.....	0E.00.34
DRAWBAR COUPLING CAT: "D" - ITALY.....	0E.00.35
REAR TOWING HITCH CAT: "D2" GRASSI.....	0E.00.37
REAR TOWING HITCH CAT. " D2 ".....	0E.00.40
REAR TOWING HITCH CAT. " D3 ".....	0E.00.41
REAR TOWING HITCH CAT: "D3".....	0E.00.42
REAR TOWING HITCH CAT: "C".....	0E.00.43

CLICK HERE TO **DOWNLOAD** THE COMPLETE MANUAL

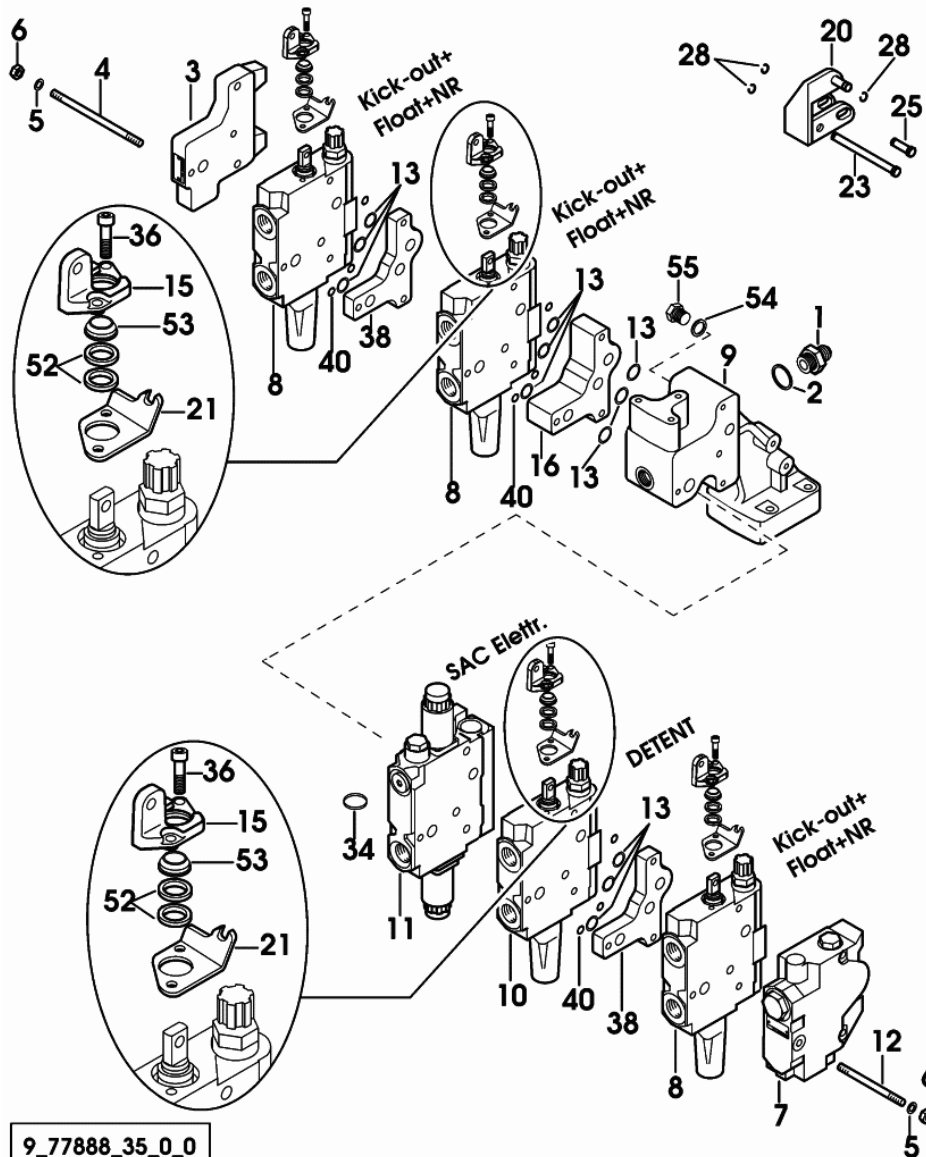
- Thank you very much for reading the preview of the manual.
- You can download the complete manual from: www.heydownloads.com by clicking the link below



- Please note: If there is no response to CLICKING the link, please download this PDF first and then click on it.

CLICK HERE TO **DOWNLOAD** THE COMPLETE MANUAL

8-WAY AUXILIARY DISTRIBUTOR BOSCH



9_77888_35_0_0

Fig.	Code	QTY	Name
1	2.3339.989.2	1	pipe fitting m 27 p.2-7/8"-14jic
2	2.1560.055.0	1	gasket 27.3x31.9
3	2.3729.120.0	1	distributor
4	2.0433.033.7	3	stud bolt m 8 p.1x180
5	2.1475.102.2	6	washer 8.4 x 16
6	2.1012.305.7	6	nut m 8 p.1 x 8
7	2.3729.520.0/10	1	distributor COMPONENT PARTS SEE COMPONENTS LIST ☞ 2.3729.520.0/10 ☞ 0E.00.120
8	2.3729.130.0	3	distributor COMPONENT PARTS SEE COMPONENTS LIST ☞ 2.3729.130.0 ☞ 0E.00.121
9	0.012.2404.0/10	1	support
10	2.3729.140.0	1	distributor COMPONENT PARTS SEE COMPONENTS LIST ☞ 2.3729.140.0 ☞ 0E.00.122
11	2.3729.150.0/10	1	distributor COMPONENT PARTS SEE COMPONENTS LIST ☞ 2.3729.150.0/10 ☞ 0E.00.123
12	2.0433.035.7	3	stud bolt m 8 p.1x200
13	2.1531.048.0	12	'o' ring 18.72x2.62
15	0.010.8533.0/10	4	support
16	0.010.9834.0/10	1	spacer 40
20	0.012.1516.2	4	lever
21	0.012.1629.0	4	plate
23	2.1699.541.2	2	pin 6x74.5
25	2.1699.529.2	4	pin 6x22
28	01175725	10	small spring 6, d128
34	2.1531.094.0	1	'o' ring 36,09x3,53
36	2.0312.104.2	8	screw m 6 p.1 x 16
38	0.011.6040.0/10	2	spacer 13
40	2.1589.471.0	9	shim 8.1x11.8x0.04
52	0.011.9918.0	8	spacer 18.6 x 25 x 4.3
53	0.011.9929.0	4	ring
54	2.1560.010.0	1	gasket 14.2 x 20 x 1.5
55	2.3110.403.2	1	plug m 14

Section: ACCESSORIES

OIL REGULATOR CONTROL

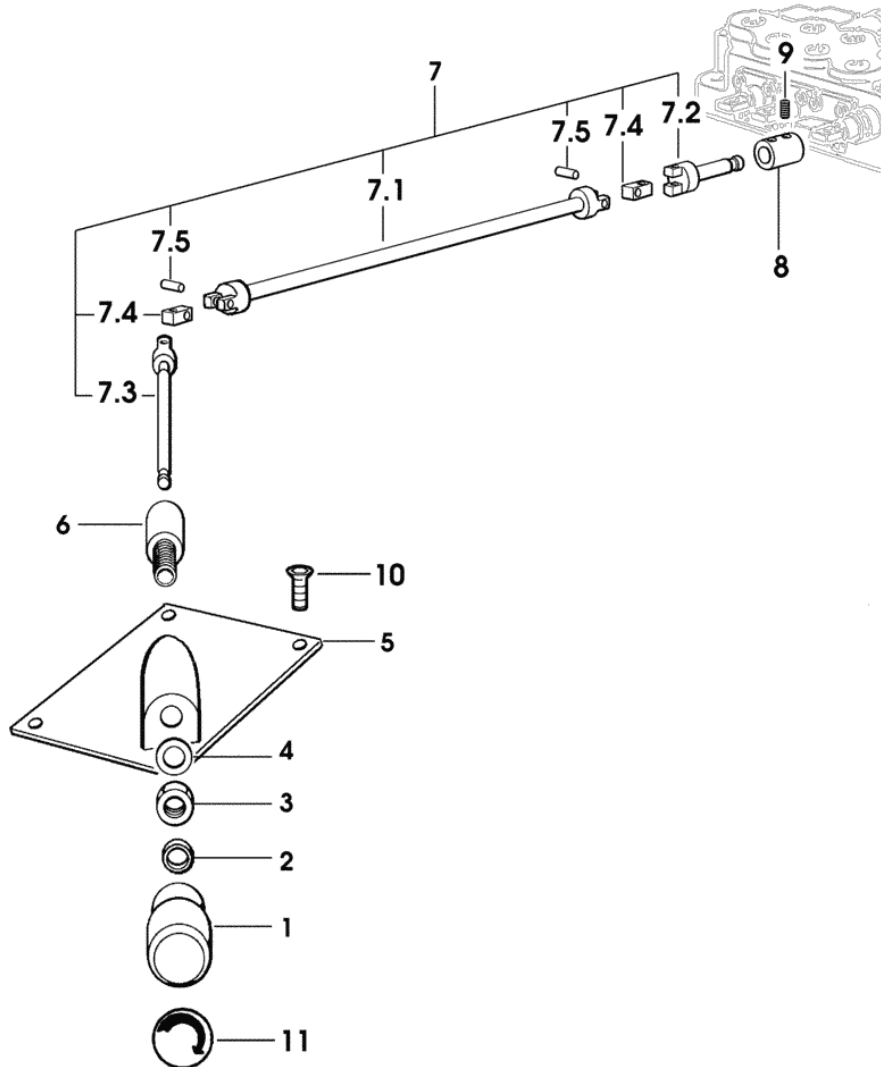


Fig.	Code	QTY	Name
1	0.010.4410.0	1	knob
2	2.1549.345.2	1	spacer 12x14.5x3.5
3	2.1011.307.2	1	nut m 12
4	2.1310.007.2	1	flat washer 13.5
5	0.010.1052.0/10	1	cover
6	0.010.4415.0	1	pin
7	0.013.7341.4/10	1	rod
7.1	0.011.0362.3	1	rod
7.2	0.013.8839.0	1	pin
7.3	0.013.7283.3	1	pin
7.4	0.010.4511.0	2	small block
7.5	2.1655.004.0	4	pin 3x14
8	0.011.0361.0	1	bushing
9	2.0512.004.2	2	grain m 5 p.0.8 x 12
10	2.0350.255.3	4	screw m 3.5 x 16 -AB-
11	0.011.2620.0	1	plate

9_77888_33_0_0

3-POINT HITCH WITH HYDRAULIC LIFT ROD dx/rh/re

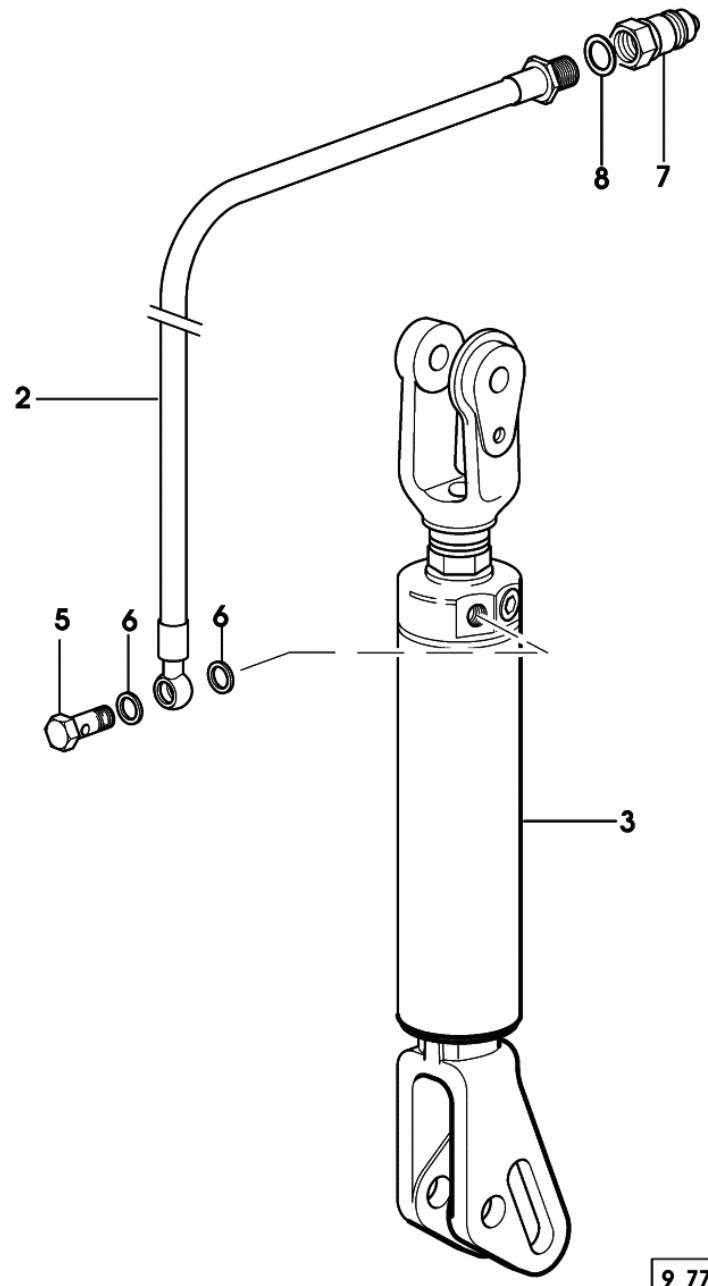


Fig.	Code	QTY	Name
2	0.010.9143.3	2	tube
3	0.011.1052.4	1	cylinder
			COMPONENT PARTS SEE COMPONENTS LIST
			☞ 0.011.1052.4
			☞ 0E.00.137
5	2.3335.007.2	2	pipe union m 16 p.1.5
6	2.1560.012.0	4	gasket 16.2 x 22 x 1.5
7	0.98309.51.3/10	2	coupling 1/2
8	2.1560.054.0	2	gasket 21 x 26

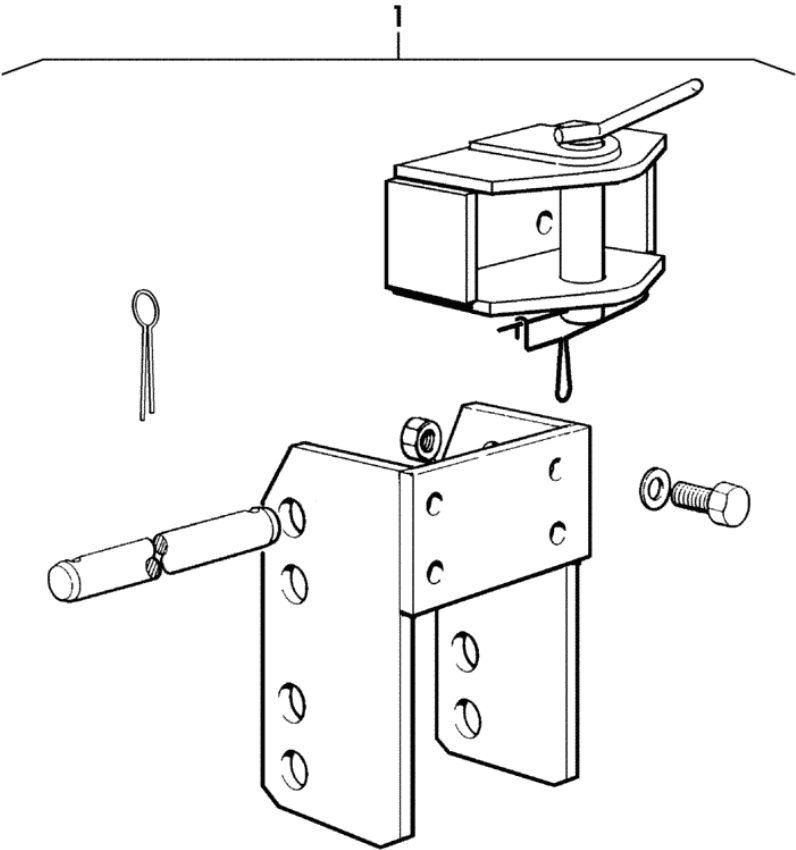
9_77858_07_0_0

REAR TOWING HITCH CAT. " D3 "

Fig.	Code	QTY	Name
------	------	-----	------

Notes:
 1013 <- X EXPLORER 75 1166 <- X EXPLORER 85 1629 <- X EXPLORER 95

1	0.007.7957.4	1	tow hook CAT. " D3 " COMPONENT PARTS SEE COMPONENTS LIST ☞ 0.007.7957.4 ☞ 0.009.1964.3/20 ☞ 0.009.3150.2/10 ☞ 0E.00.146
---	--------------	---	-------------------------------------------------------------------------------------------------------------------------------------------



9_52631_47_0_0

Section: ACCESSORIES

REAR OSCILLATING HITCH CAT. " A "

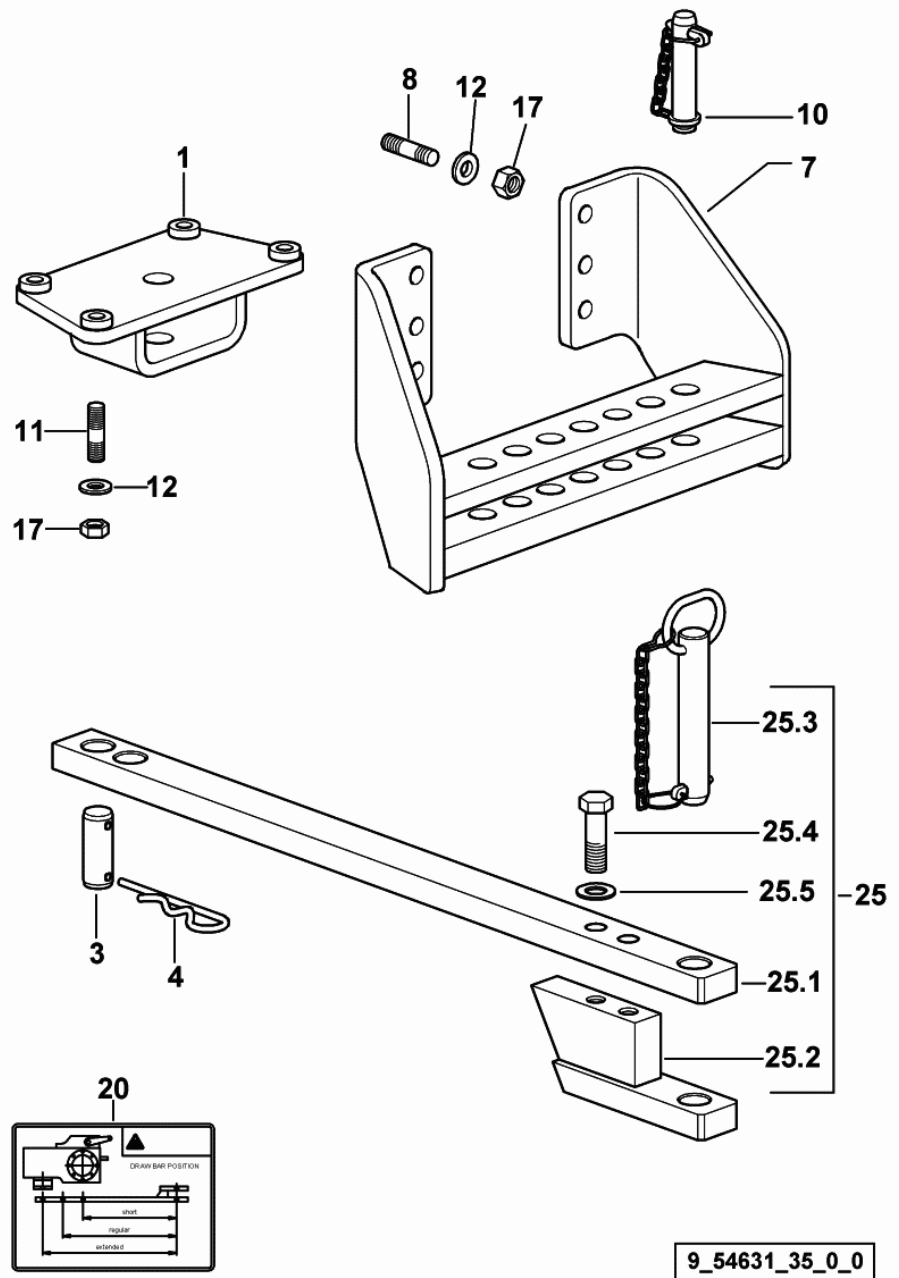


Fig.	Code	QTY	Name
1	0.008.0780.2	1	support
3	2.1679.067.2	1	pin 32x85
4	2.1699.072.2	1	pin
7	0.008.0778.2	1	sector
8	2.0432.413.7	6	stud bolt m 16 p.2-1.5x45
10	0.97303.24.3	2	pin
11	2.0432.411.7	4	stud bolt m 16 p.2-1.5x40
12	2.1499.019.6	10	washer 16.3 x 31.5
17	2.1011.409.2	10	nut m 16 p.1.5
20	2.9939.051.0	1	plate
25	0.000.0000.1	0	not serviceable
25.1	0.008.0782.0/40	1	draw bar
25.2	0.008.0784.3	1	plate
25.3	0.97306.30.3/10	1	pin
25.4	2.0122.822.2	2	screw m 20 p.1.5x65
25.5	2.1475.108.2	2	spring washer 20

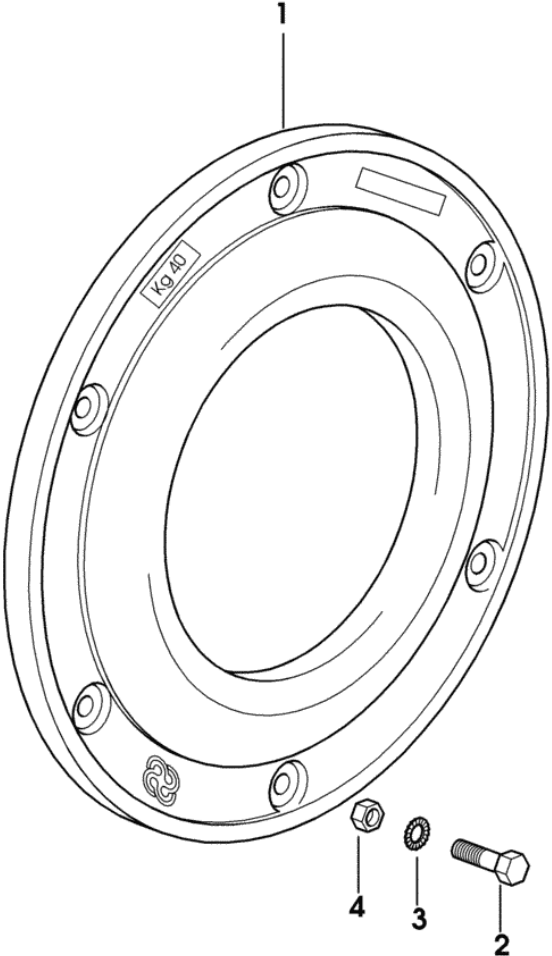
9_54631_35_0_0

WHEEL BALLAST

Fig.	Code	QTY	Name
------	------	-----	------

Notes:
 1013 <- X EXPLORER 75 1143 <- X EXPLORER 85 1501 <- X EXPLORER 95

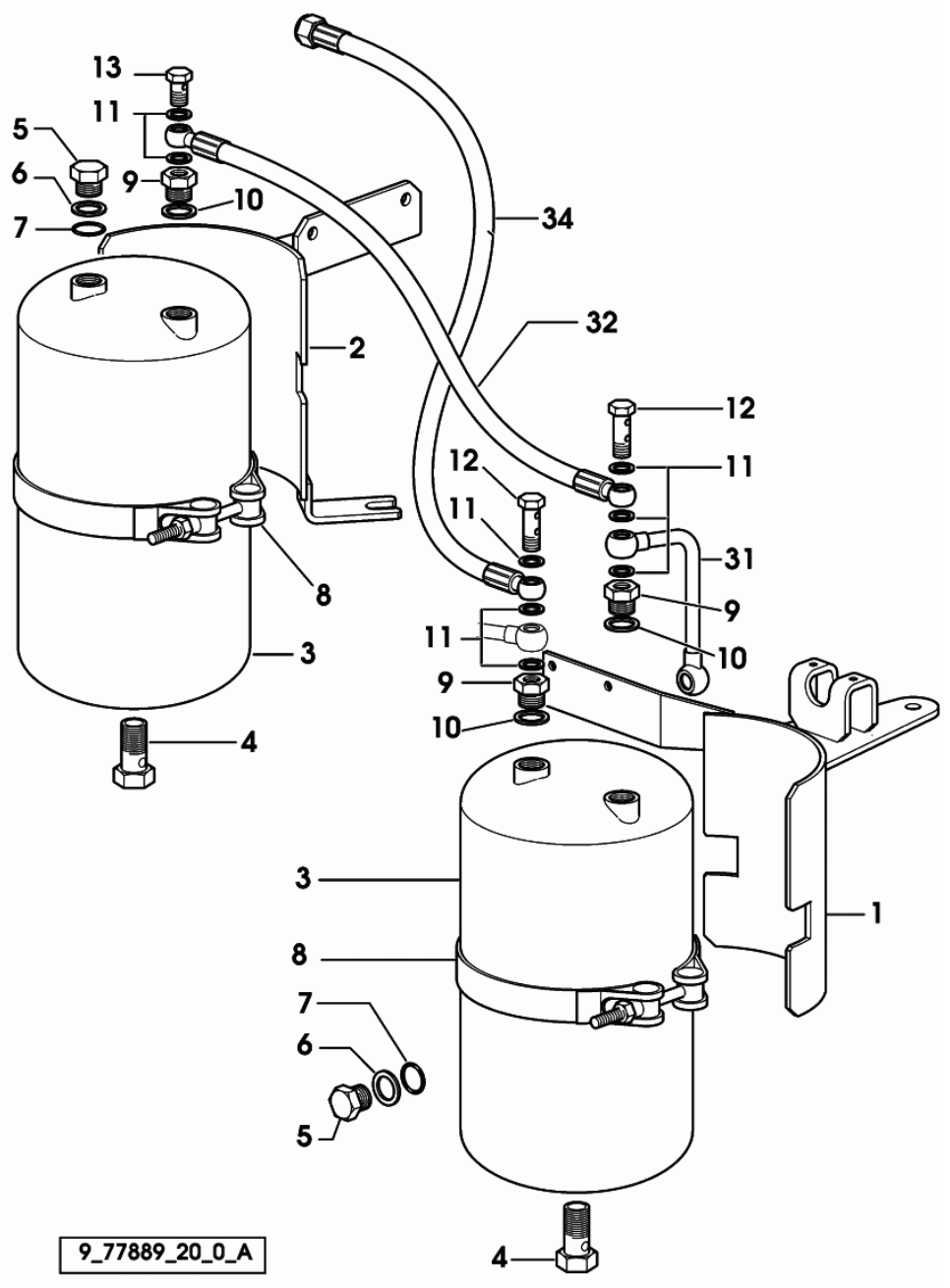
1	0.135.5574.0/10	2	ballast 40 Kg
2	2.0112.620.2	12	screw m 16 p.2x55
3	2.1470.009.2	12	lock washer 16
4	2.1011.409.2	12	nut m 16 p.1.5



9_40555_91_0_0

Section: ACCESSORIES

AIR BRAKING FOR 'ITALY' TRAILER

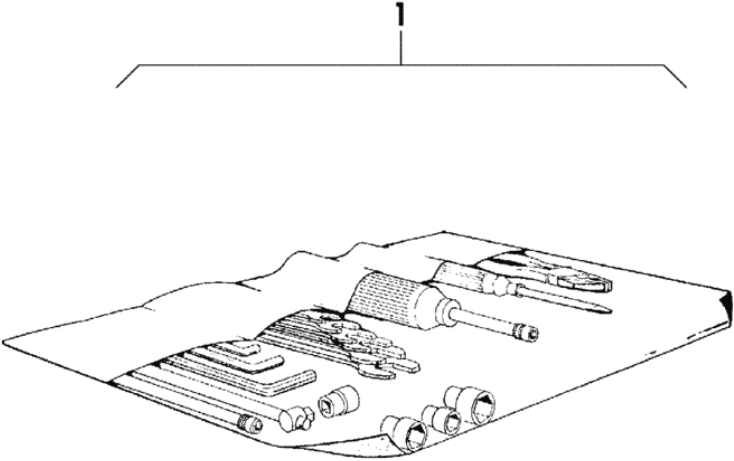


9_77889_20_0_A

Fig.	Code	QTY	Name
1	0.011.3912.2	1	bracket
2	0.011.3913.2	1	bracket
3	04414694	2	tank
4	04400757	2	valve
5	2.3120.002.4	3	plug m 22 x 1.5
6	02523701	3	ring
7	02523700	3	ring
8	2.6859.101.0	2	clamp
9	2.3339.766.2	5	reduction m 22 p.1.5/m 14 p.1.5
10	2.1560.017.0	5	gasket 22.2 x 27
11	2.1560.010.0	12	gasket 14.2 x 20 x 1.5
12	2.3339.280.2	2	pipe union m 14 p.1.5X42
13	2.3332.004.2	3	pipe union m 14 p.1.5 x 27
31	0.011.3914.3	1	tube
32	0.011.3986.3	1	tube
34	0.011.4235.3	1	tube mm 1400

TOOL POUCH

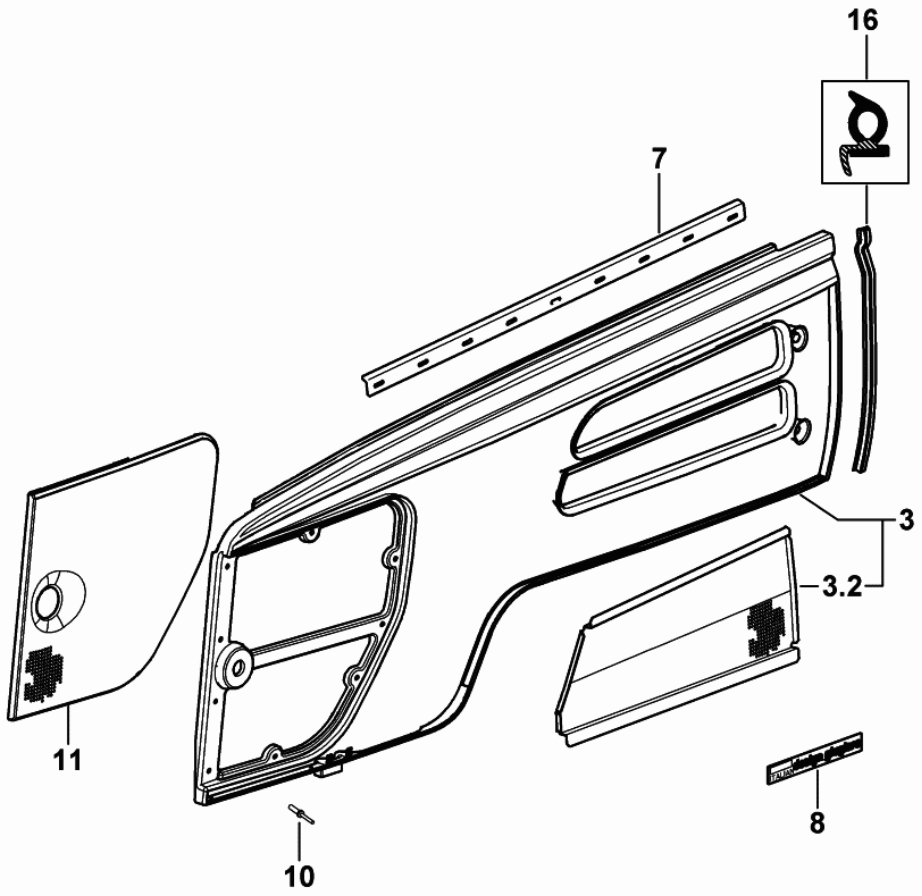
Fig.	Code	QTY	Name
1	9.62073.11.0	1	small tool box



9_62073_11_0_0

Section: BODY WORK
HOOD - LEFT SIDE PANEL

Fig.	Code	QTY	Name
3	0.014.0987.4/10	1	lift hand side panel
3.2	0.014.0977.0/10	1	grille sx/lh/li
7	0.012.1610.0/10	1	lamination
8	0.009.0829.2	1	plate design giugiaro
10	2.1899.074.0	9	rivet 4.7
11	0.013.6782.0	1	grille sx/lh/li
16	0.010.7094.0	0	gasket



9_B9872_17_0_0

Section: BODY WORK
WATER COOLER

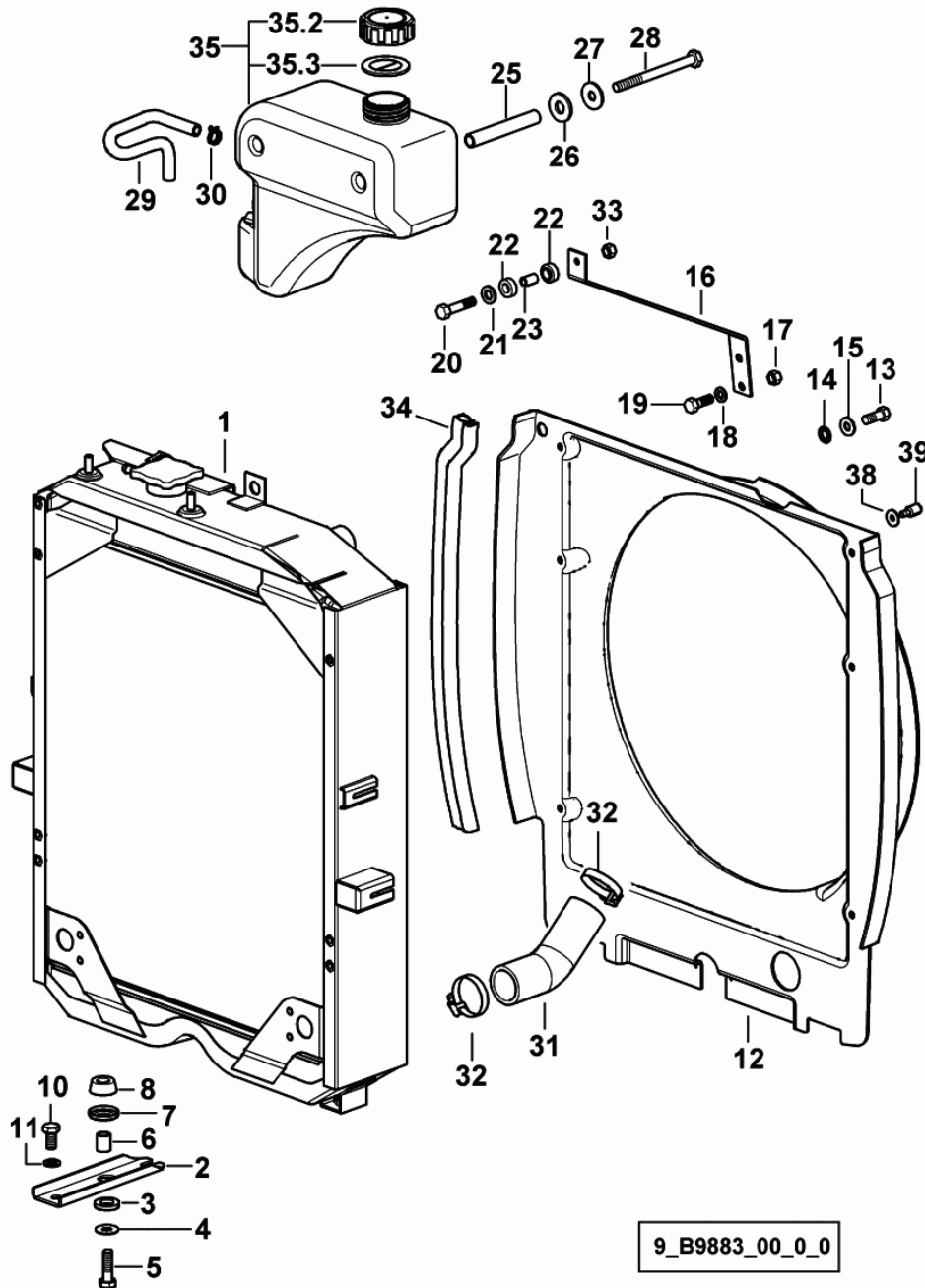


Fig.	Code	QTY	Name
1	0.013.3793.4/20	1	water cooler COMPONENT PARTS SEE COMPONENTS LIST ☞ 0.013.3793.4/20 ☞ 07.00.49
2	0.295.8313.0/20	2	support
3	0.136.7387.0	2	rubber plug 15x27x5
4	2.1599.044.2	2	snoulder 10.5x25.5x1.5
5	2.0112.313.2	2	screw m 10 p.1.5 x 35
6	2.1579.090.2	2	spacer 10.1x15x18
7	0.136.7384.0	2	cup
8	0.136.7385.0	2	rubber plug
10	2.0112.307.2	4	screw m 10 p.1.5 x 20
11	2.1470.006.2	4	lock washer 10
12	0.013.5823.0/10	1	duct
13	2.0112.004.2	2	screw m 6 p.1 x 14
14	2.1470.002.2	2	washer 6, d128
15	2.1310.002.2	2	washer 6.6, d125
16	0.013.5317.0	1	bracket
17	2.1011.105.2	2	nut m 8 p.1.25
18	2.1470.004.2	2	washer 8
19	2.0112.207.2	2	screw m 8 p 1.25 x 20
20	2.0112.011.2	1	screw m 6 p.1x30
21	2.1312.003.2	1	washer 6
22	0.035.8459.0	2	rubber plug
23	2.1579.322.0	1	spacer 10.5x6.5x17
25	2.1549.429.2	2	spacer
26	2.1569.143.0	2	gasket
27	2.1312.005.2	2	washer 10.2
28	2.0112.333.2	2	screw m 10 p.1.5x120
29	0.013.5827.0	1	tube
30	2.6859.083.2	2	clamp
31	0.013.5760.0	1	sleeve
32	2.6851.004.0	2	clamp Ø 32/50
33	2.1011.003.2	1	nut m 6 p.1, d934
34	0.013.9207.0	2	gasket
35	0.013.6102.4/20	1	cup
35.2	0.013.7584.0	1	plug
35.3	2.1569.533.0	1	gasket
38	2.1312.003.2	4	washer 6
39	0.467.7250.0/10	4	pin

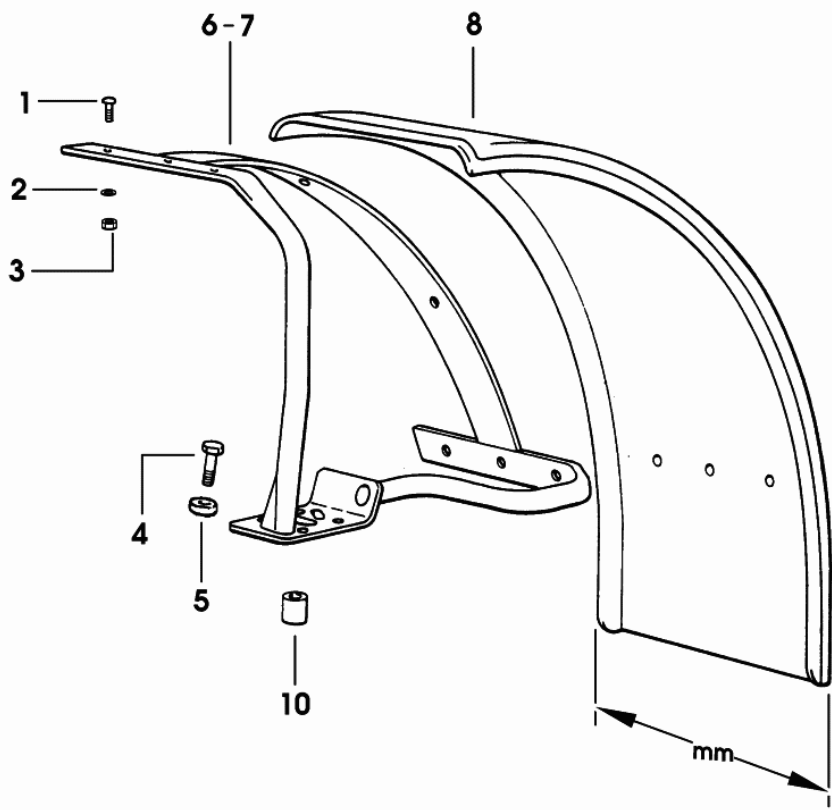
4WD - FRONT MUDGUARDS - FOR TYPES WITH "S.B.A. SYSTEM" mm 355

Fig.	Code	QTY	Name
------	------	-----	------

Notes:

- FOR TYRE EQUIPMENT 13.6R24"

1	2.0029.503.6	16	screw m 8 x 25
2	2.1470.004.2	16	washer 8
3	2.1011.105.2	16	nut m 8 p.1.25
4	2.0112.426.2	1	screw m 12 p.1.75x85
5	2.1599.484.2	8	spacer 13x26x4
6	0.007.6359.2	1	support sx/lh/li
7	0.290.7664.2	1	support dx/rh/re
8	0.255.7632.0/10	2	fender mm 355
10	2.1549.260.2	4	spacer 13x30x43



9_62076_15_0_0

Section: BODY WORK

4WD - SELF-ADJUSTING FRONT FENDERS mm 470

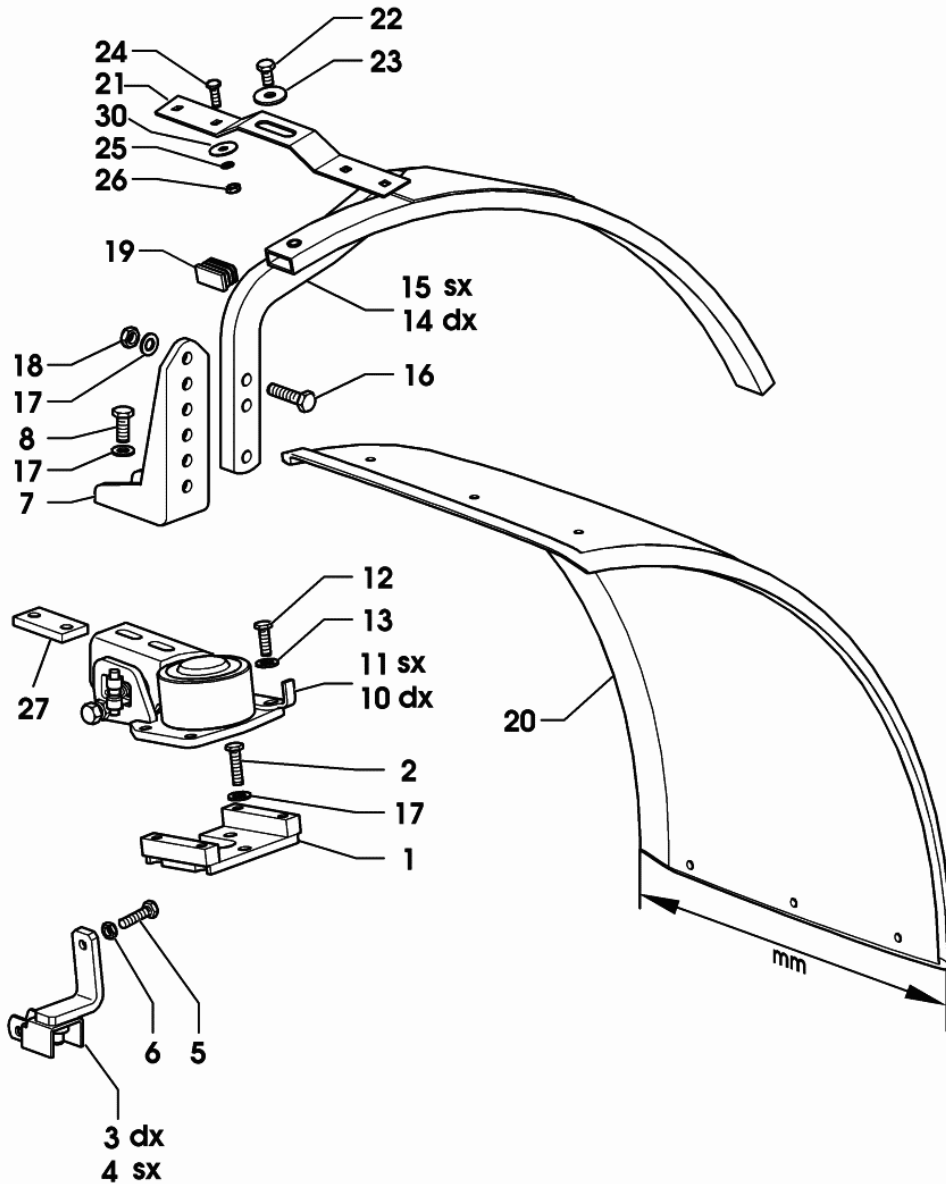


Fig.	Code	QTY	Name
1	0.011.3341.2/10	2	plate dx/rh/re
2	2.0112.415.2	6	screw m 12 p.1.75 x 40
3	0.011.1416.3/10	1	bracket dx/rh/re
4	0.011.1428.3/10	1	bracket sx/lh/li
5	2.0112.313.2	2	screw m 10 p.1.5 x 35
6	2.1011.006.2	2	nut m 10 p.1.5
7	0.011.3409.0	2	bracket
8	2.0112.411.2	4	screw m 12 p.1.75 x 30
10	0.011.3452.4/10	1	support dx/rh/re COMPONENT PARTS SEE COMPONENTS LIST ☞ 0.011.3452.4/10 ☞ 07.00.50
11	0.011.3457.4/10	1	support sx/lh/li COMPONENT PARTS SEE COMPONENTS LIST ☞ 0.011.3457.4/10 ☞ 07.00.51
12	2.0112.311.2	8	screw m 10 p.1.5 x 30
13	2.1475.003.2	8	washer 10
14	0.011.3461.2	1	chassis frame dx/rh/re
15	0.011.3462.2	1	chassis frame sx/lh/li
16	2.0112.417.2	8	screw m 12 p.1.75 x 45
17	2.1475.004.2	14	washer 12
18	2.1011.107.2	4	nut m 12 p.1.75
19	0.010.9844.0	4	plug
20	0.010.1729.0	2	fender mm 470
21	0.011.3380.0	6	plate
22	2.0112.307.2	6	screw m 10 p.1.5 x 20
23	2.1599.082.0	6	washer 11 x 35 x 3
24	2.0020.205.2	24	screw m 8 p.1.25 x 20
25	2.1470.004.2	24	washer 8
26	2.1011.105.2	24	nut m 8 p.1.25
27	0.011.3407.0/10	2	small plate
30	2.1599.584.2	24	shoulder 9 x 30 x 2

9_77876_14_0_0

Section: BODY WORK
MAT FOR PLATOFRM

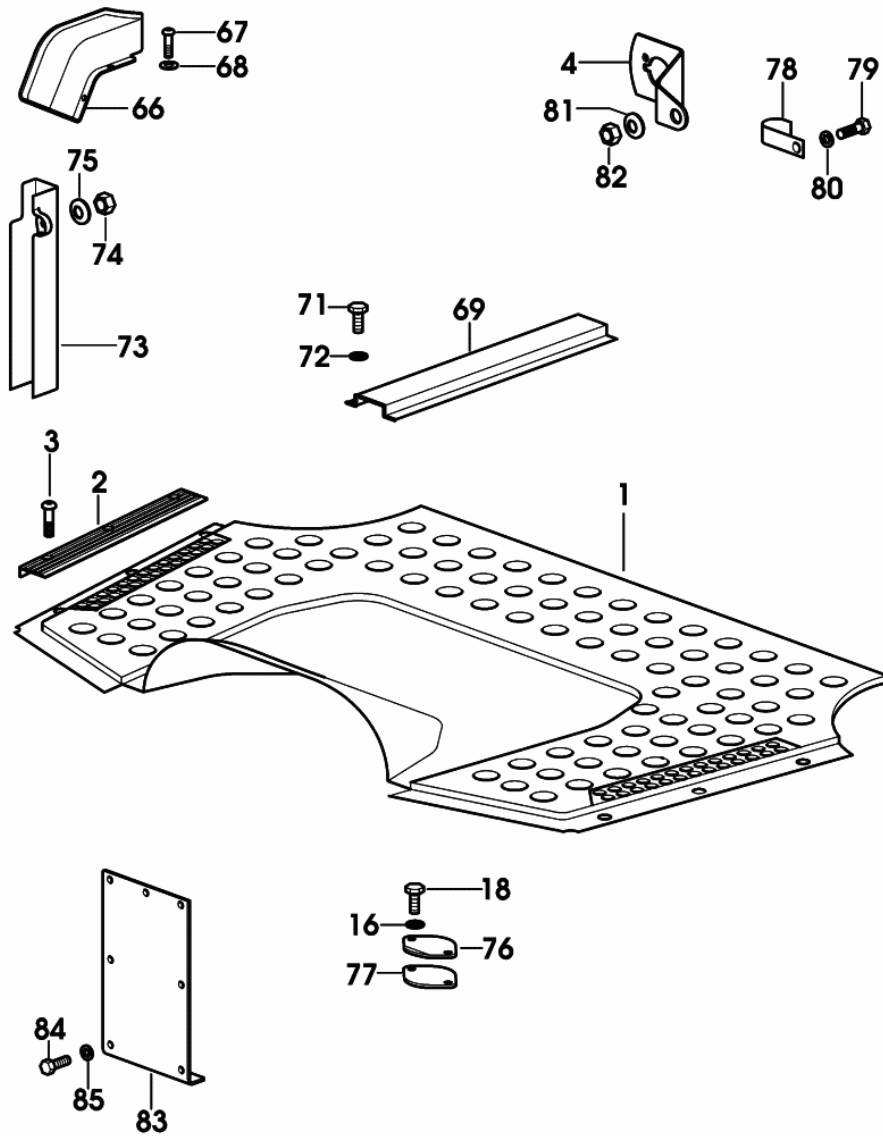


Fig.	Code	QTY	Name
1	0.011.4077.0/10	1	small carpet
2	0.258.7660.0/10	2	guard
3	2.0351.555.3	6	screw 4.8x16
4	0.008.8754.0/40	1	support
16	2.1310.004.2	2	flat washer 8.5
18	2.0112.205.2	2	screw m 8 p.1.25 x 16
66	0.010.9860.0/20	1	shield
67	2.0350.255.3	2	screw m 3.5 x 16 -AB-
68	2.1399.008.3	2	washer 4.3x9
69	0.009.2021.0/10	1	channel sx/lh/li
71	2.0112.011.2	2	screw m 6 p.1x30
72	2.1310.002.2	2	washer 6.6, d125
73	0.011.0442.0/10	1	channel
74	2.1011.103.2	1	nut m 6 p.1
75	2.1310.002.2	1	washer 6.6, d125
76	0.011.0548.0	1	small plate
77	0.011.0553.0	1	gasket
78	2.6819.004.2	1	clamp Ø 17
79	2.0112.307.2	2	screw m 10 p.1.5 x 20
80	2.1310.006.2	2	flat washer 10.5
81	2.1470.006.2	2	lock washer 10
82	2.1011.106.2	2	nut m 10 p.1.5
83	0.011.0820.0/10	1	plate
84	2.0339.137.2	8	screw m 6 x 12
85	2.1310.002.2	8	washer 6.6, d125

9_77876_04_0_0

Section: BODY WORK
SAFETY ARCH

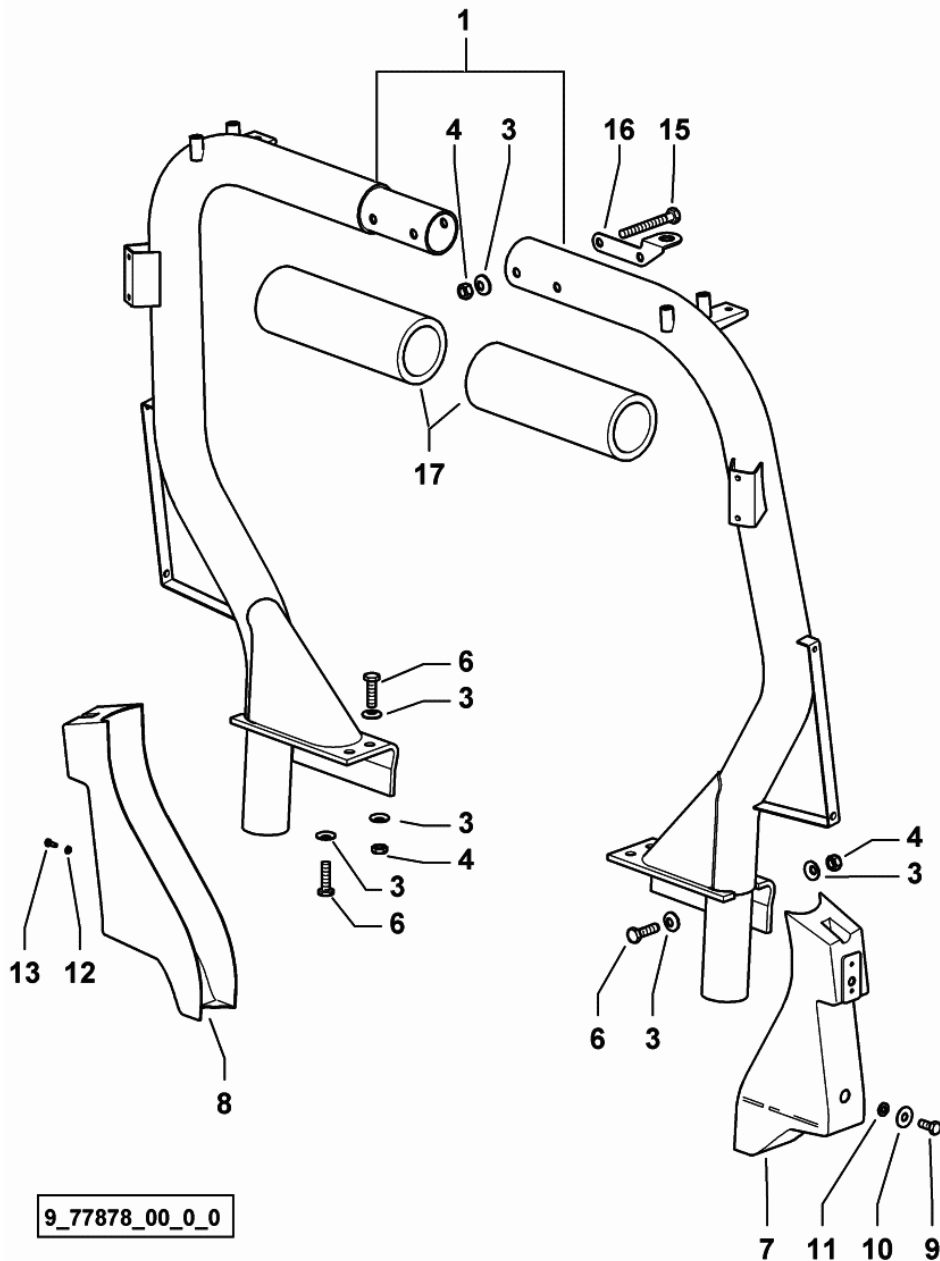


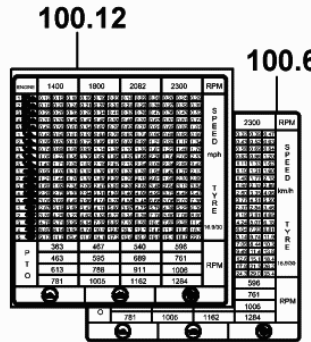
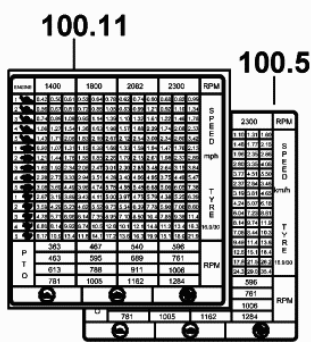
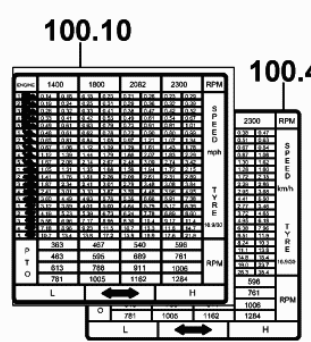
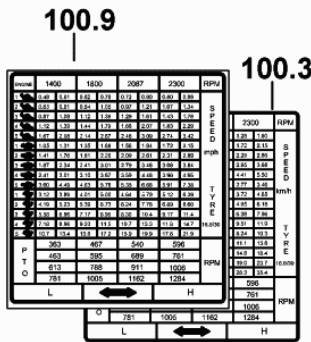
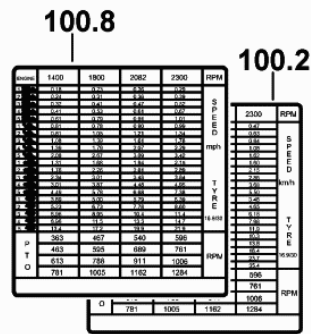
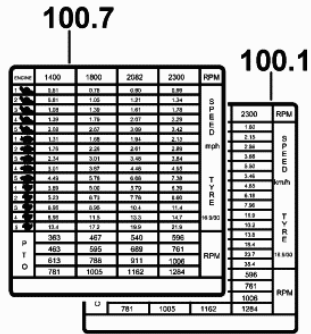
Fig.	Code	QTY	Name
1	0.010.9225.4/40	1	safety frame
3	2.1475.005.2	16	washer 14
4	2.1011.408.2	6	nut m 14 p.1.5
6	2.0123.517.2	8	screw m 14 p.1.5x45
7	0.010.9227.0/20	1	lamp support sx/lh/li
8	0.010.9226.0/20	1	lamp support dx/rh/re
9	2.0122.107.2	2	screw m 12 p.1.5x20
10	2.1312.006.2	2	washer 14.5
11	2.1579.147.2	2	spacer 12.5 x 22 x 3.0
12	2.1310.002.3	2	flat washer 6.4 x 12 x 1.6
13	2.0332.406.3	2	screw m 6 p.1.0 x 16
15	2.0123.531.2	2	screw m 14 p.1.5x110
16	0.011.4338.0	1	bracket
17	0.011.4446.0	2	tube

9_77878_00_0_0

Section: BODY WORK
SPEED LABEL 40 Km/h

100

Fig.	Code	QTY	Name
100	0.000.0000.1	0	not serviceable
100.1	2.9929.899.0/10	1	plate 40 Km/h 15+15
100.2	2.9929.897.0/10	1	plate 40 Km/h 20+20
100.3	2.9929.901.0/10	1	plate 40 Km/h 30+15
100.4	2.9929.902.0/10	1	plate 40 Km/h 40+20
100.5	2.9929.903.0/10	1	plate 40 Km/h 45+45
100.6	2.9929.904.0/10	1	plate 40 Km/h 60+60
100.7	2.9929.905.0/10	1	plate mph, 15 + 15 - EXPORT U.S.A.
100.8	2.9929.906.0/10	1	plate mph, 20 + 20 - EXPORT U.S.A.
100.9	2.9929.907.0/10	1	plate mph, 30 + 15 - EXPORT U.S.A.
100.10	2.9929.908.0/10	1	plate mph, 40 + 20 - EXPORT U.S.A.
100.11	2.9929.909.0/10	1	plate mph, 45 + 45 - EXPORT U.S.A.
100.12	2.9929.910.0/10	1	plate MPH, 60 + 60 - EXPORT U.S.A.



9_B9874_50_0_D

Section: BODY WORK
TANK SUPPORTS

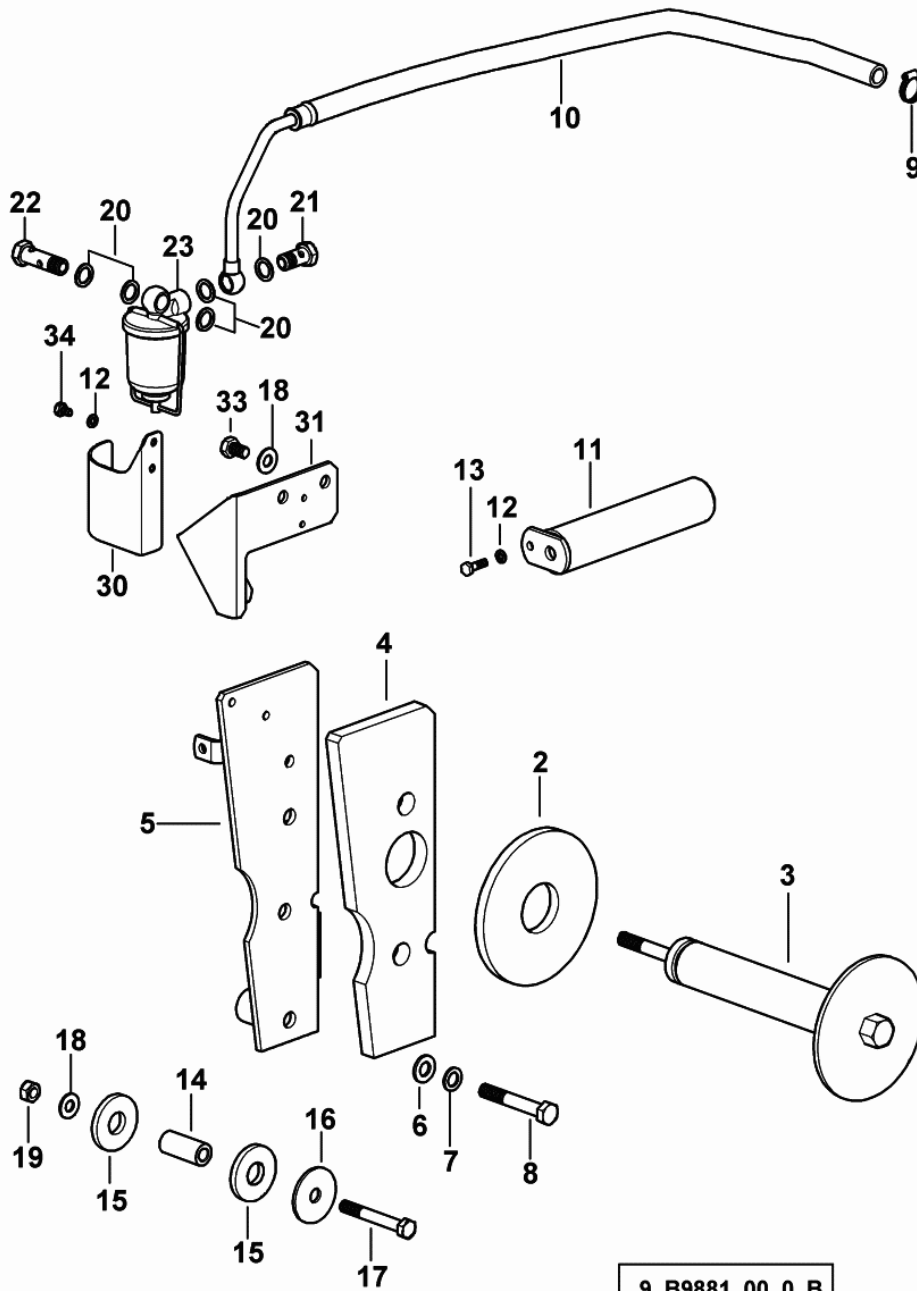


Fig.	Code	QTY	Name
2	0.010.6927.0/10	1	shim
3	0.010.6925.2/30	1	pin
4	0.010.6928.0	1	shim
5	0.010.6926.2	1	plate
6	2.1310.007.2	1	flat washer 13.5
7	2.1470.007.2	1	lock washer 12
8	2.0112.424.2	1	screw m 12 p.1.75x75
9	2.6851.019.0	2	clamp Ø 13/20
10	0.013.7361.3	1	tube
11	0.010.6924.2/10	1	pin
12	2.1470.002.2	3	washer 6, d128
13	2.0112.007.2	1	screw m 6 p.1 x 20
14	2.1549.328.2	1	spacer 10.5x20x45
15	2.1569.161.0	2	gasket 20x50x6
16	2.1599.354.2	1	washer 12.5x50x3
17	2.0112.324.2	1	screw m 10 p.i.5x75
18	2.1310.006.2	3	flat washer 10.5
19	2.1011.106.2	1	nut m 10 p.1.5
20	2.1560.010.0	5	gasket 14.2 x 20 x 1.5
21	2.3332.004.1	1	pipe union m 14 p.1.5 x 27
22	2.3339.040.2	1	pipe union m 14 p.1.5x45
23	2.4319.220.0	1	precleaner
COMPONENT PARTS SEE COMPONENTS LIST			
☞ 2.4319.220.0			
☞ 07.00.56			
30	0.013.7376.0	1	shield
31	0.013.7375.2	1	bracket
33	2.0112.305.2	2	screw m 10 p.1.5 x 16
34	2.0112.002.2	2	screw m 6 p.1 x 10

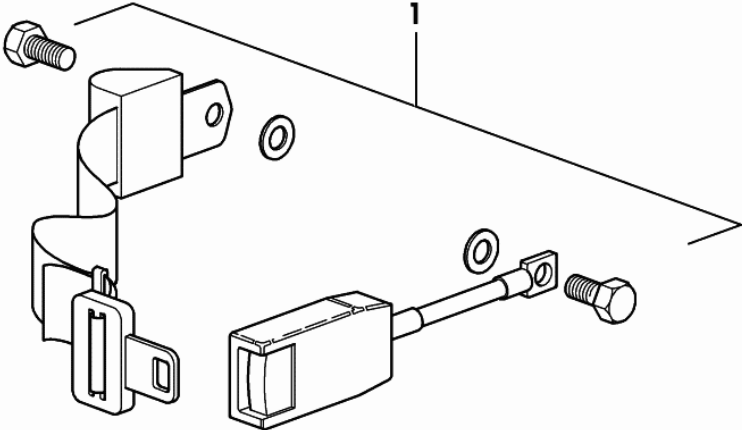
9_B9881_00_0_B

Section: BODY WORK
SAFETY BELT

Fig.	Code	QTY	Name
------	------	-----	------

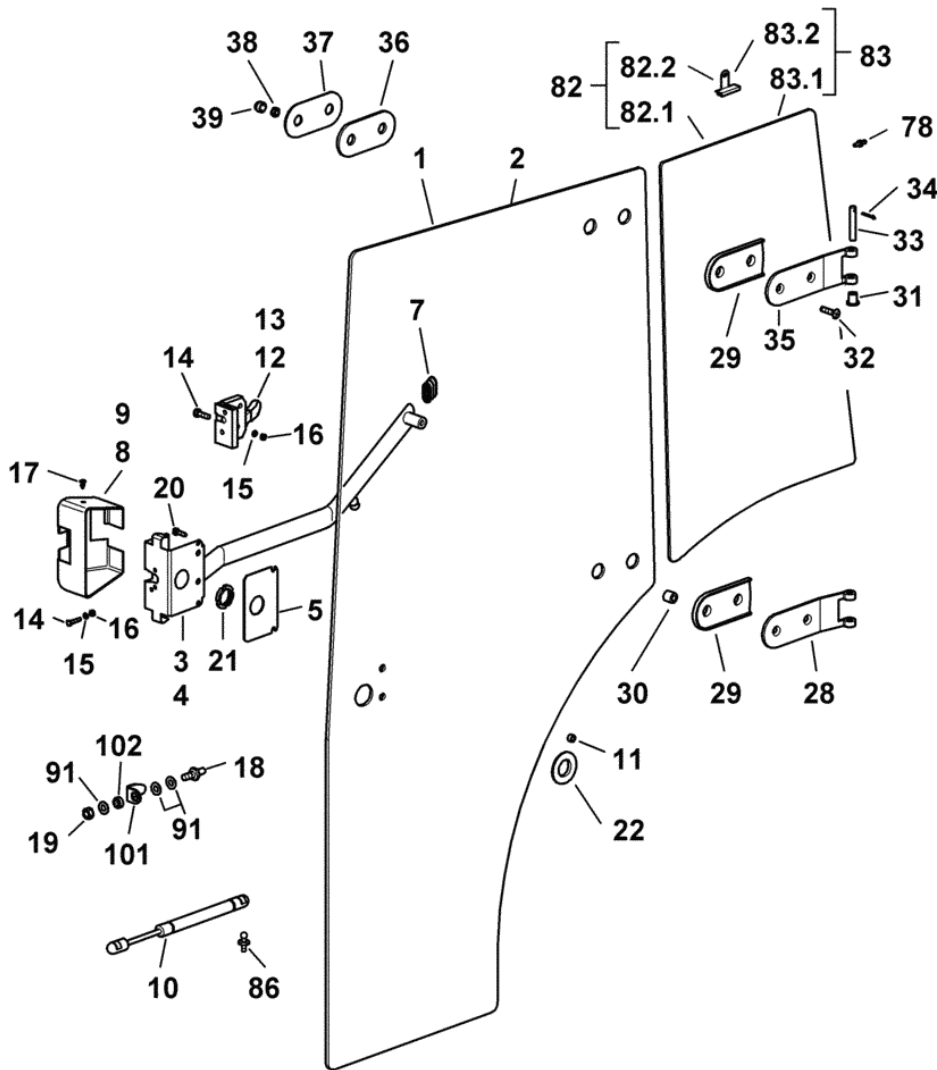
Notes:
1013 <- X EXPLORER 75 1062 <- X EXPLORER 85 1074 <- X EXPLORER 95

1	0.012.6587.4	1	safety belt
---	--------------	---	-------------



9_A8775_11_0_0

GLASSES AND SEALS



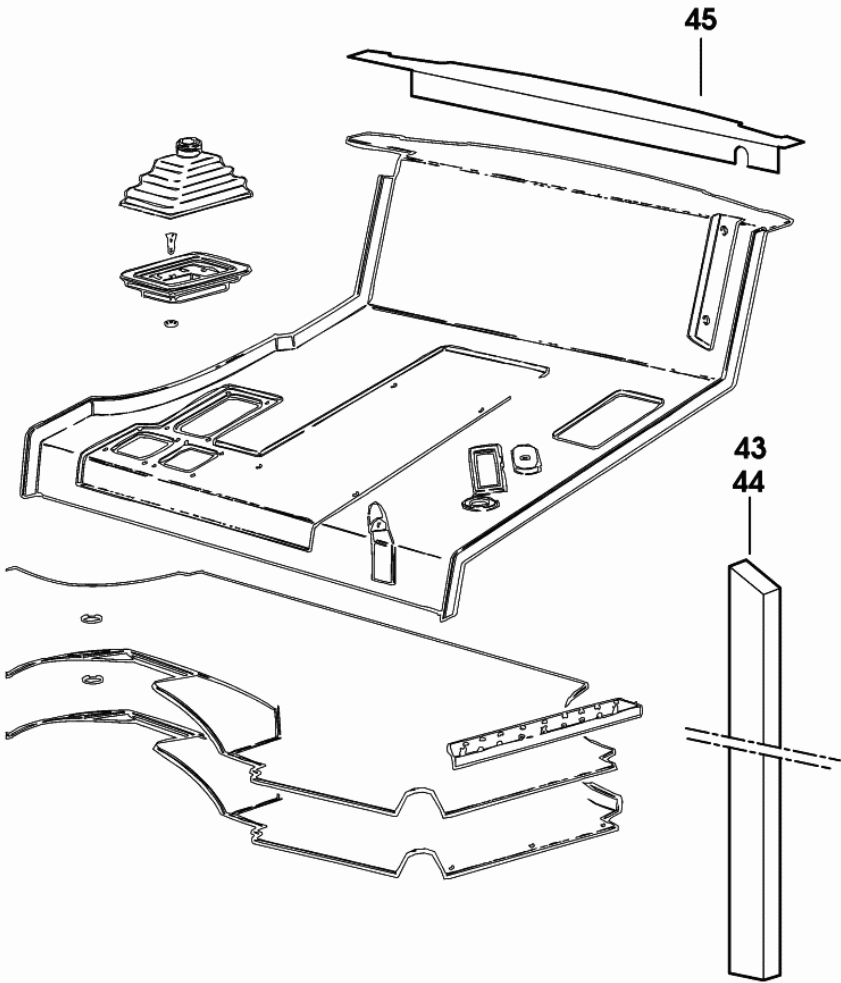
9_77871_10_0_A

Fig.	Code	QTY	Name
1	0.009.7700.0/50	1	glass sx/lh/li
2	0.009.7701.0/50	1	glass dx/rh/re
3	0.011.3070.3	1	handle sx/lh/li
4	0.011.3069.3	1	handle dx/rh/re
5	0.007.7615.0	2	gasket
7	0.008.3805.0	2	plug
8	0.007.7617.0/10	1	lining sx/lh/li
9	0.007.7618.0/10	1	lining dx/rh/re
10	0.008.2737.3	2	shoch.absorber
11	0.010.1253.0	4	rubber plug
12	0.009.9213.4	1	lock sx/lh/li
13	0.009.9212.4	1	lock dx/rh/re
14	2.0332.308.2	8	screw m 5 p.0.8 x 25
15	2.1310.001.2	8	flat washer 5.3
16	2.1011.102.2	8	nut m 5 p.0.7
17	2.1899.075.0	6	button 6.5x14.5
18	0.010.0617.0/10	2	contact surface
19	2.1011.406.2	2	nut m 10 p.1
20	2.0332.407.2	4	screw m 6 x 20
21	2.1219.049.0/10	2	ring nut m 30 p.1
22	0.007.5962.0	2	gasket
28	0.007.6179.3/20	2	hinge
29	0.007.5875.0/10	4	gasket
30	2.1549.093.2	8	spacer 9x17.5x16
31	2.1559.147.0	16	bushing 10 x 28 x 18
32	2.0342.308.3	6	screw m 8 p.1.25 x 30
33	2.1699.325.2	4	pin
34	2.1630.210.9	4	pin 3 x 20
35	0.007.6181.3/30	1	hinge sx/lh/li
36	0.007.5876.0	4	gasket
37	0.007.5878.0	4	plate
38	2.1120.105.2	6	selflock nut m 8 p.1.25
39	0.163.7856.0	6	cap
78	2.1855.110.0	6	rivet 4.2
82	0.000.0000.1	0	not serviceable
82.1	0.009.7703.0/20	1	window glass
82.2	0.009.7708.0	2	small spring
83	0.000.0000.1	0	not serviceable
83.1	0.009.7703.0/20	1	window glass
83.2	0.009.7708.0	2	small spring
86	0.009.8760.0	6	ball joint
91	2.1310.006.3	5	flat washer 10.5x21x2
101	0.010.7267.0/10	2	guard
102	2.1599.789.2	2	spacer 11 x 22 x 6.0

Section: CAB

CAB INSTALLATION COMPLETION

Fig.	Code	QTY	Name
43	0.007.7634.0	1	lining dx/rh/re
44	0.007.7635.0	1	lining sx/lh/li
45	0.010.6911.2	1	stop



9_64871_22_0_B

CAB ROOF "HIGHT VISIBILITY" - FOR TRACTORS WITH AIR CONDITIONING

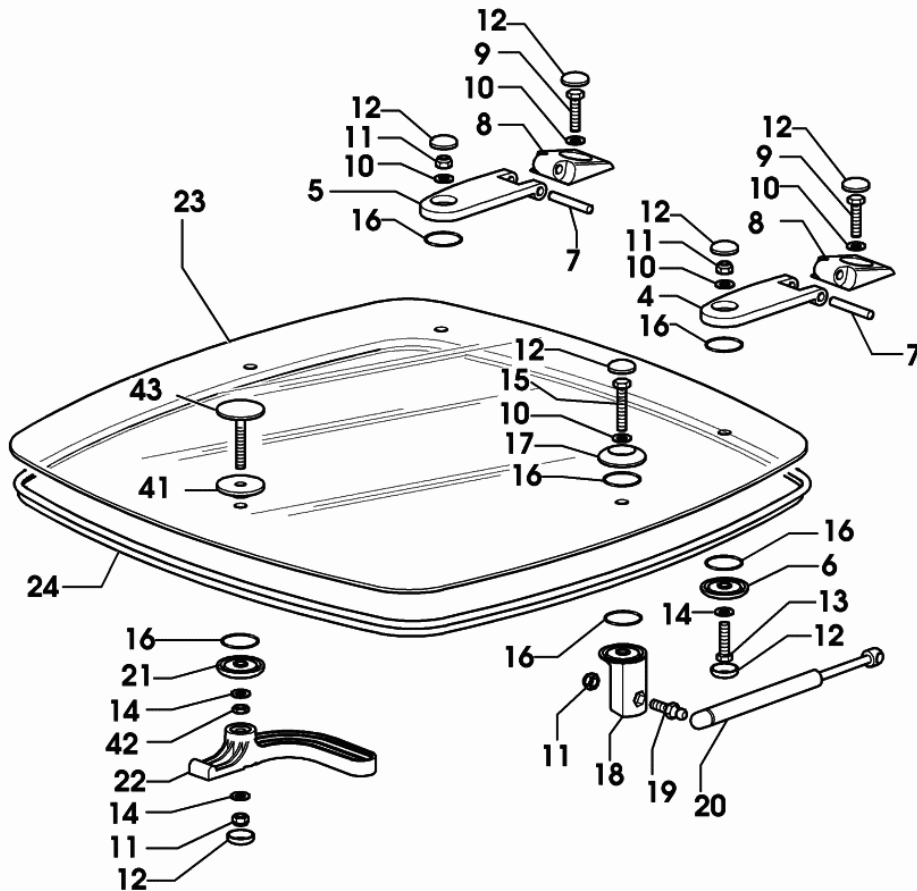


Fig.	Code	QTY	Name
4	0.010.7525.0	1	hinge dx/rh/re
5	0.010.6479.0	1	hinge sx/lh/li
6	04411716	2	washer
7	2.1699.486.2	2	pin
8	0.010.6480.0	2	hinge
9	2.0112.210.2	2	screw m 8 p.1.25 x 28
10	2.1310.004.2	24	flat washer 8.5
11	2.1120.005.2	6	nut m 8 p.1.25
12	04413793	9	cap
13	2.0112.211.2	2	screw m 8 p.1.25 x 30
14	2.1310.004.2	4	flat washer 8.5
15	2.0112.215.2	2	screw m 8 p.1.25 x 40
16	2.1530.078.0	9	'o' ring 29.74x3.53
17	04411716	2	washer
18	0.010.7738.0/10	2	support
19	04399070	2	ball joint
20	04414159	2	shoch.absorber
21	04411716	1	washer
22	0.010.6477.0	1	handle
23	0.011.1010.0/20	1	cover
24	0.011.1290.0	1	gasket
41	0.010.7737.0	1	gasket
42	2.1011.105.2	1	nut m 8 p.1.25
43	0.010.7736.2	1	screw

Section: CAB

CAB ROOF - FOR TRACTORS WITH AIR CONDITIONING

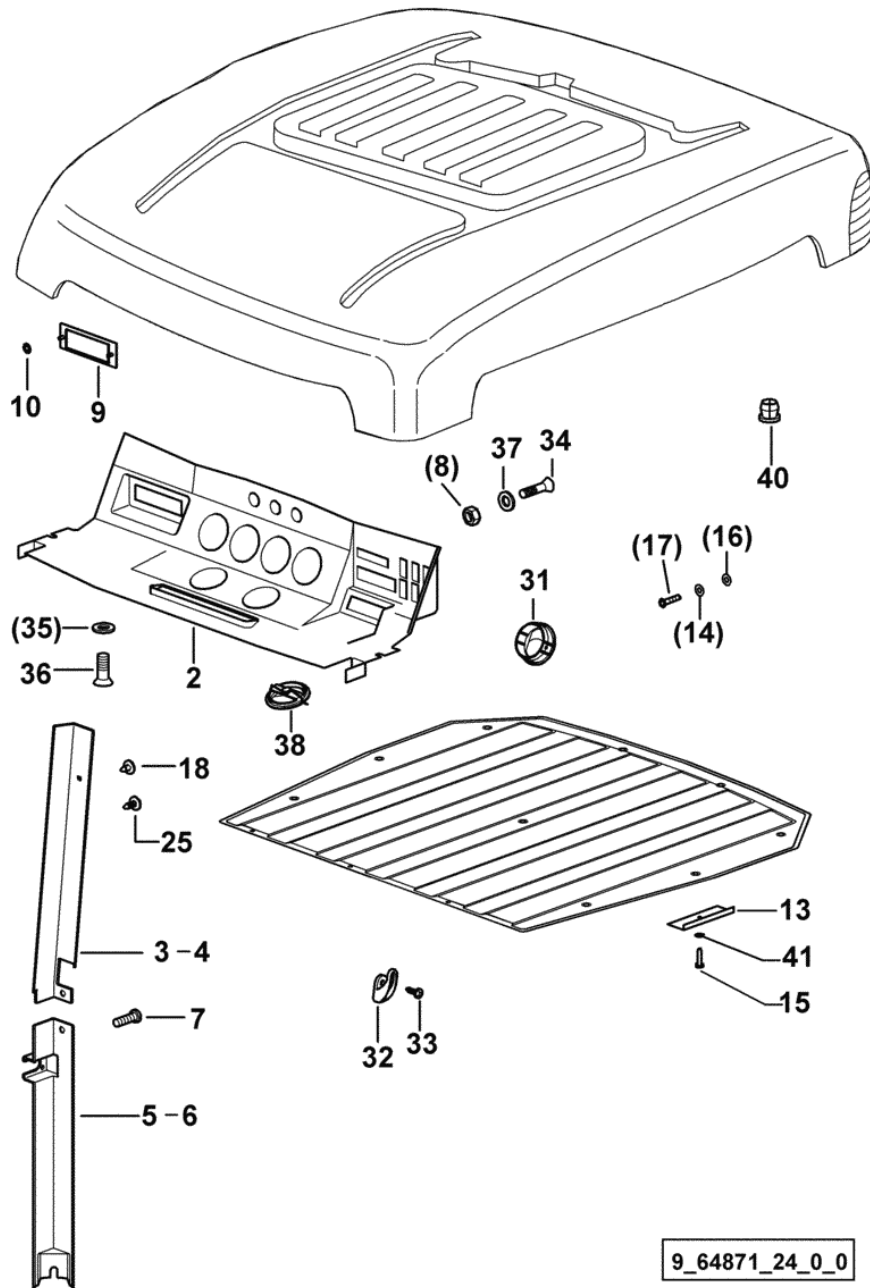
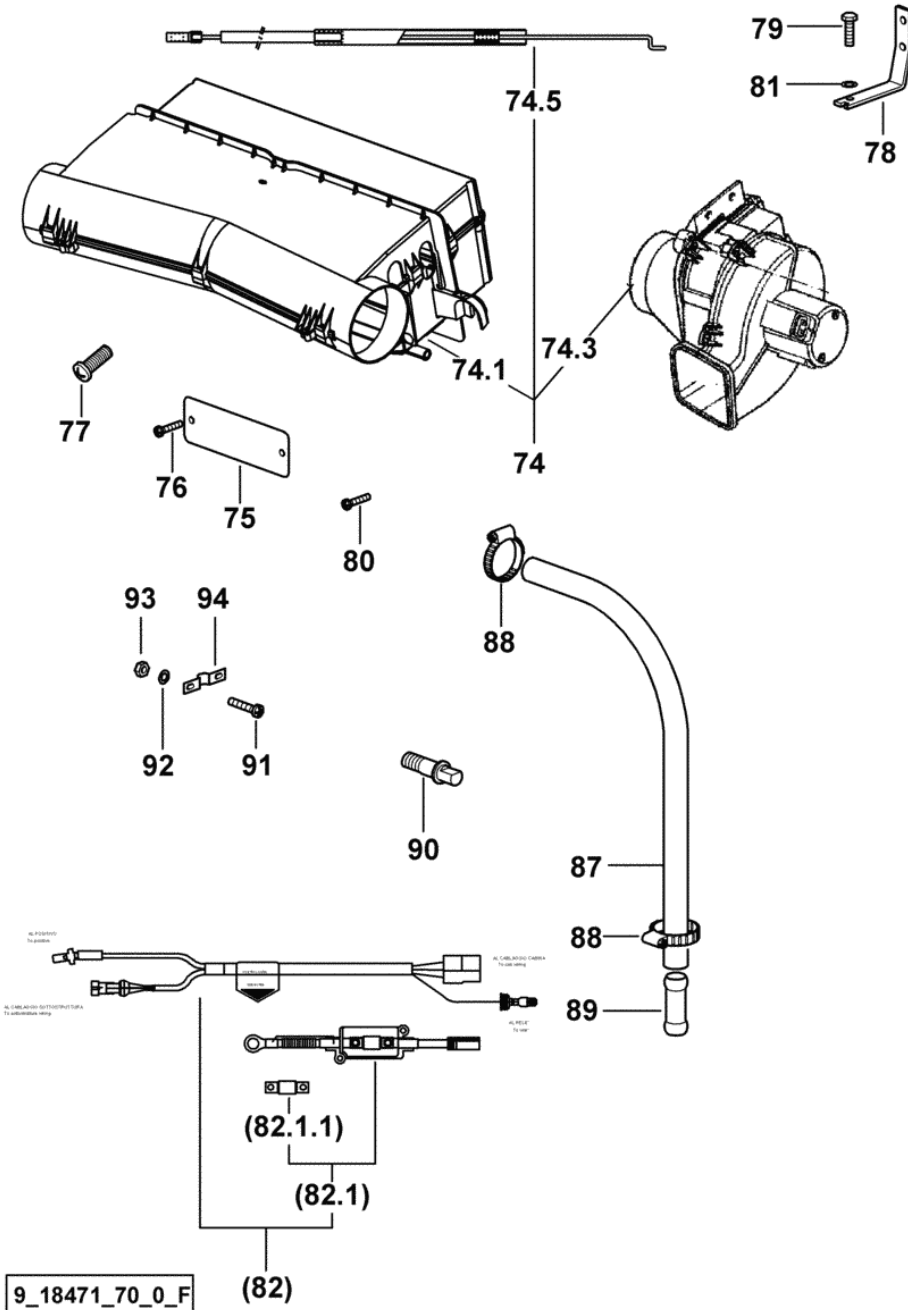


Fig.	Code	QTY	Name
2	0.007.7147.0/40	1	front grille
3	0.007.7703.0/60	1	lining sx/lh/li
4	0.007.7704.0/60	1	lining dx/rh/re
5	0.007.7701.0/40	1	lining sx/lh/li
6	0.007.7702.0/50	1	lining dx/rh/re
7	2.0342.102.3	4	screw m 5 x 12
9	0.010.0880.0/10	1	cover
10	2.6999.049.0	2	small spring
13	0.010.5114.0/10	2	bracket
15	2.0350.255.3	6	screw m 3.5 x 16 -AB-
18	2.1899.075.0	4	button 6.5x14.5
25	2.1899.073.0	2	plug 14.5
31	0.009.8654.2	4	tongue mm 82.8
32	0.007.6732.0	1	coat hanger
33	2.0350.255.3	2	screw m 3.5 x 16 -AB-
34	2.0332.404.2	9	screw m 6 x 12
36	2.0350.454.3	6	screw m 4.2 x 13 -AB-
37	2.1310.002.3	2	flat washer 6.4 x 12 x 1.6
38	0.009.0455.4	2	tongue mm 67.5
40	2.3199.107.0	2	plug 14x12.5
41	2.1312.001.3	6	washer 4

Section: CAB

VENTILATION - HEATING "HIGHT VISIBILITY"

Fig.	Code	QTY	Name
74	0.010.8993.4/50	1	cab heating COMPONENT PARTS SEE COMPONENTS LIST ☞ 0.010.8993.4/50 ☞ 0B.00.101
74.1	0.011.2066.4/10	1	cab heating
74.3	0.011.2047.4	2	rotor blade
74.5	0.015.0185.2	1	cable
75	0.007.7317.0	1	plug 50x116x3
76	2.0350.456.3	2	screw m 4.2 x 19 -AB-
77	2.0112.213.2	4	screw m 8 p.1.25 x 35
78	0.011.3574.3	1	bracket
79	2.0112.005.2	1	screw m 6 p.1 x 16
80	2.0350.254.3	4	screw m 3.5x13
81	2.1310.002.2	1	washer 6.6, d125
82	0.011.3754.3/30	1	electrical system 1007 <- X EXPLORER 75 1013 <- X EXPLORER 85 1044 <- X EXPLORER 95
82.1	0.011.9760.3	1	wire COMPONENT PARTS SEE COMPONENTS LIST ☞ 0.011.9760.3 ☞ 0B.00.102
82.1.1	2.7759.080.0	1	fuse 50 A
87	0.012.9219.0/10	0	tube
88	2.6851.018.0	2	clamp 11/17
89	0.011.4033.0/10	2	pipe fitting
90	0.011.4750.0	1	pin
91	2.0332.203.2	2	screw m 4 x 10
92	2.1310.028.2	2	flat washer 4
93	2.1011.101.2	2	nut m 4 p.0.7
94	0.011.4172.0	2	small spring



Section: CAB

HEATING AIR CONDITIONING SYSTEM - FOR TYPES WITH "HIGH VISIBILITY"

9_B9886_23_0_0

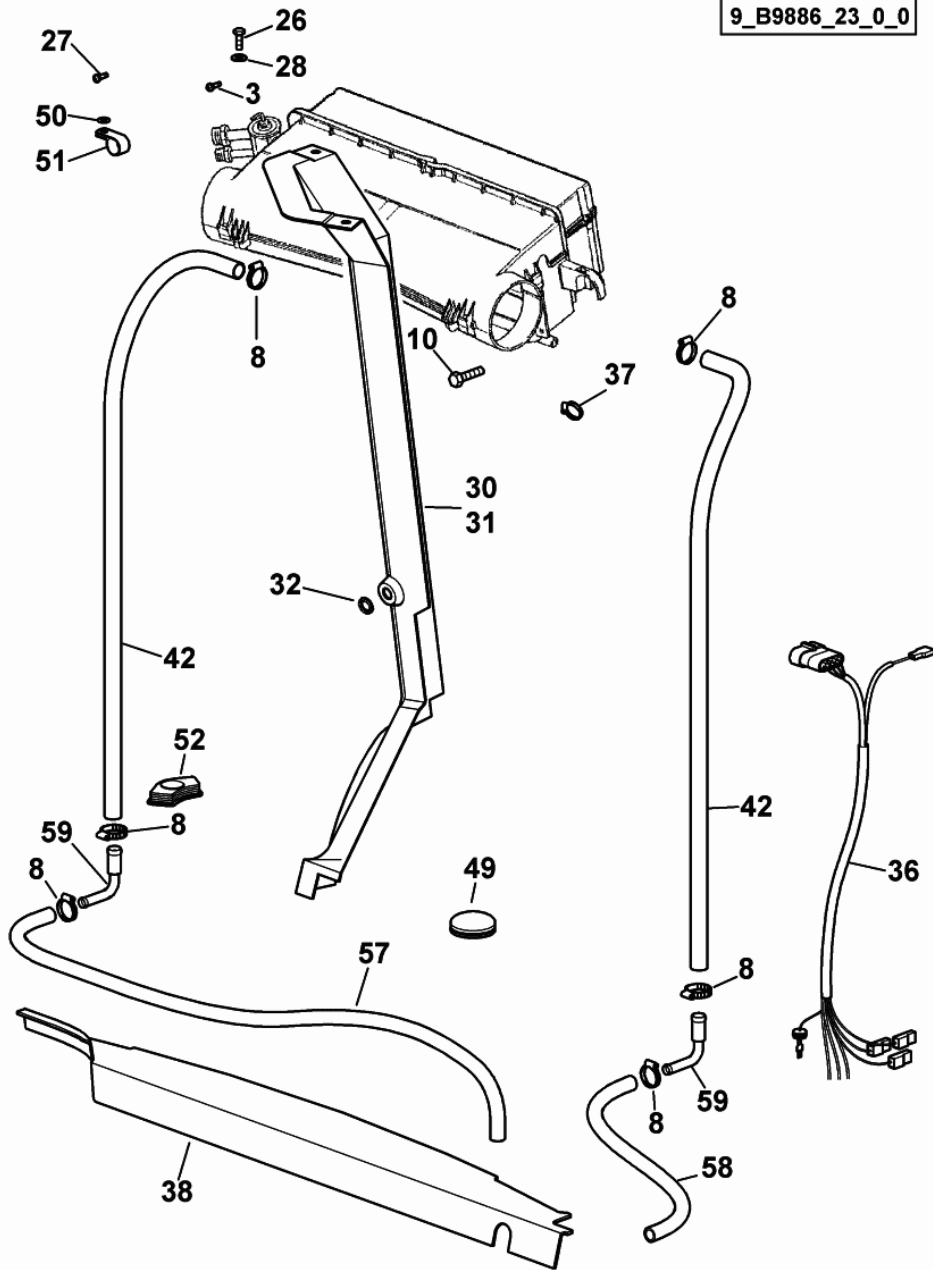
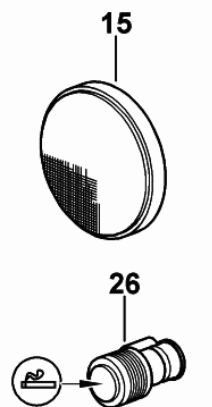
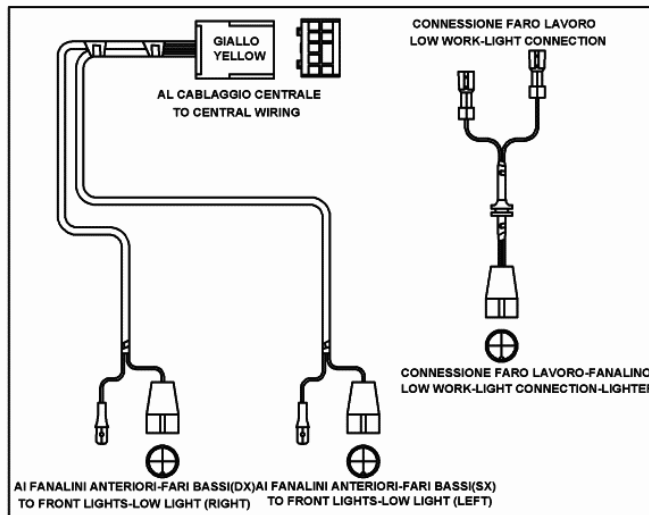
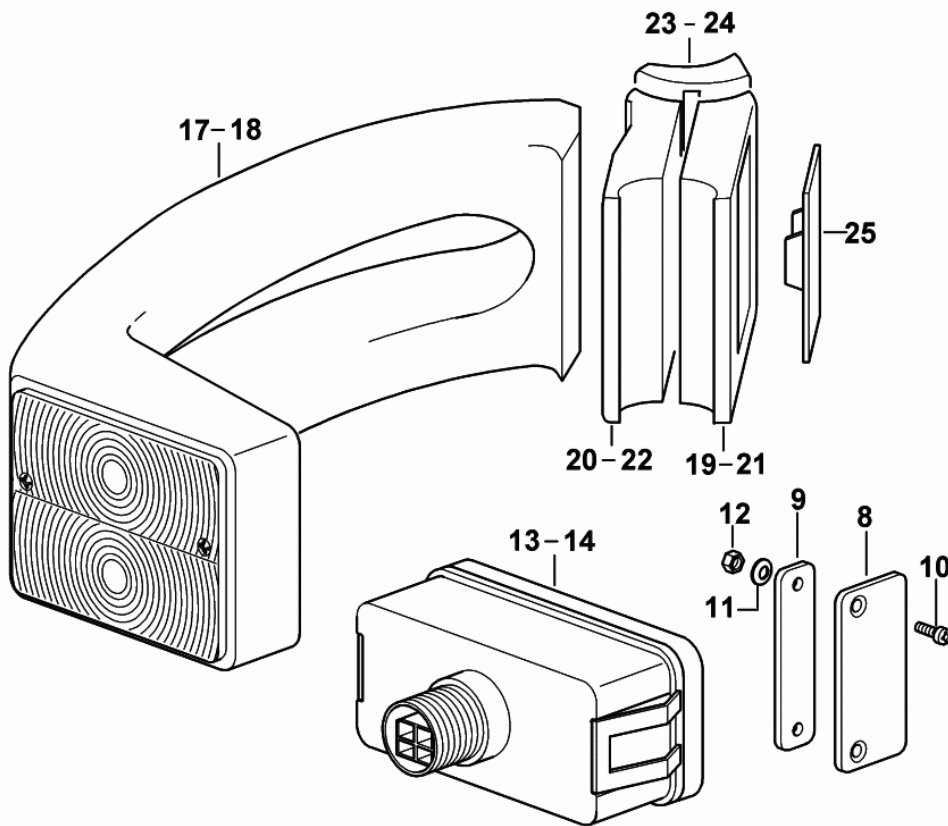


Fig.	Code	QTY	Name
3	2.0350.456.3	2	screw m 4.2 x 19 -AB-
8	2.6851.019.0	6	clamp Ø 13/20
10	2.0112.213.2	4	screw m 8 p.1.25 x 35
26	2.0112.005.2	1	screw m 6 p.1 x 16
27	2.0350.254.3	4	screw m 3.5x13
28	2.1310.002.2	1	washer 6.6, d125
30	0.011.3701.0/10	1	lining dx/rh/re
31	0.011.3702.0/10	1	lining sx/lh/li
32	2.1470.004.2	2	washer 8
36	0.011.3598.3/10	1	electrical system
37	2.6851.018.0	2	clamp 11/17
38	0.011.3733.2	1	profile
42	0.012.9219.0/10	0	tube
49	2.6070.050.0	1	plug Ø 20
50	2.1310.028.2	1	flat washer 4
51	2.6830.010.1	1	clamp Ø 18
52	0.011.4577.0	2	plug
57	0.011.0466.0	0	tube Ø mm 16x10
58	0.011.0466.0	0	tube Ø mm 16x10
59	0.011.3729.0	2	pipe fitting

Section: ELECTRIC AL SYSTEM

ELECTRIC LIGHTING SYSTEM - FOR MODELS WITH CAB

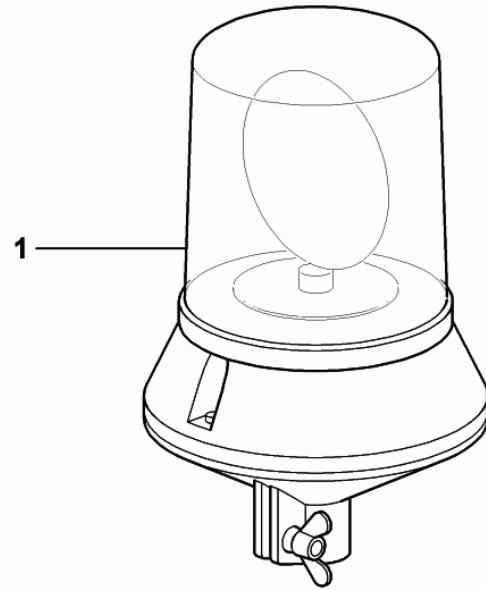


9_B9885_03_0_0

Fig.	Code	QTY	Name
8	0.010.5567.0	1	small plate
9	0.010.5568.0	2	gasket
10	2.0342.205.6	4	screw m 6 p.1 x 20
11	2.1310.002.2	4	washer 6.6, d125
12	2.1011.103.2	4	nut m 6 p.1
13	2.8059.080.0	1	lamp sx/lh/li COMPONENT PARTS SEE COMPONENTS LIST ☞ 2.8059.080.0 ☞ 08.00.74
14	2.8059.090.0	1	lamp dx/rh/re COMPONENT PARTS SEE COMPONENTS LIST ☞ 2.8059.090.0 ☞ 08.00.73
15	2.8349.002.2/30	2	reflector Ø 86 mm
16	0.010.8189.3/30	1	wire COMPONENT PARTS SEE COMPONENTS LIST ☞ 0.010.8189.3/30 ☞ 08.00.75
17	04411920.4	1	lamp sx/lh/li COMPONENT PARTS SEE COMPONENTS LIST ☞ 04411920.4 ☞ 08.00.76
18	04411921.4	1	lamp dx/rh/re COMPONENT PARTS SEE COMPONENTS LIST ☞ 04411921.4 ☞ 08.00.77
19	04413186	1	guard sx/lh/li
20	04413187	1	guard sx/lh/li
21	04413188	1	guard dx/rh/re
22	04413189	1	guard dx/rh/re
23	0.010.9938.0	1	lining dx/rh/re
24	0.010.9939.0	1	lining sx/lh/li
25	0.010.9639.0/10	2	plug
26	2.7099.770.0	1	cigar lighter

Section: ELECTRIC AL SYSTEM

WARNING BEACON

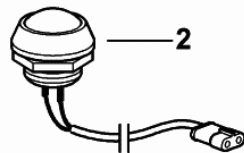
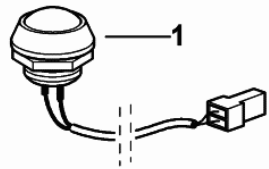
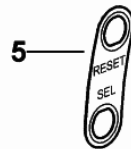
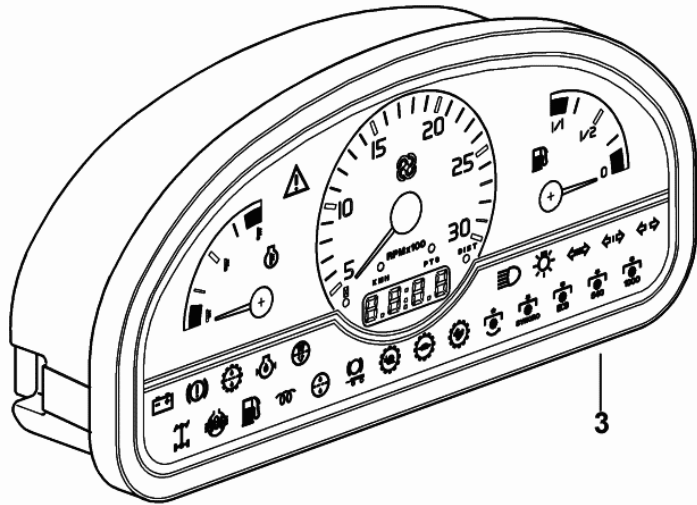


9_52685_24_0_0

Fig.	Code	QTY	Name
1	0.009.6758.4/10	1	blinker COMPONENT PARTS SEE COMPONENTS LIST ☞ 0.009.6758.4/10 ☞ 08.00.81

DASHBOARD BOX INSTRUMENT PANEL - FOR MODELS WITH ELECTRONIC ENGINE GOVERNOR

Fig.	Code	QTY	Name
1	2.7659.140.0/10	1	push-button
2	2.7659.203.0/10	2	push-button
3	2.8339.249.0	1	controle panel COMPONENT PARTS SEE COMPONENTS LIST ☞ 2.8339.249.0 ☞ 08.00.83
5	2.9929.895.0	1	plate

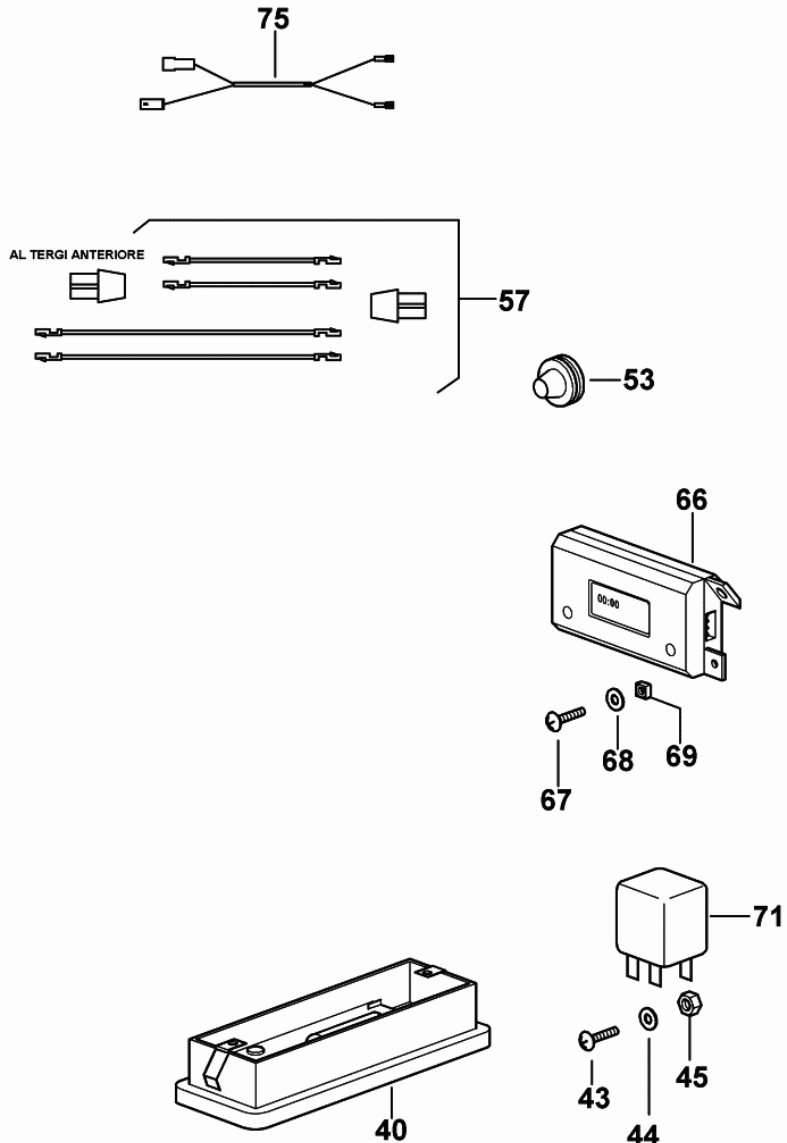


9_B9884_27_0_0

Section: ELECTRIC AL SYSTEM

ELECTRICAL SYSTEM "HIGHT VISIBILITY"

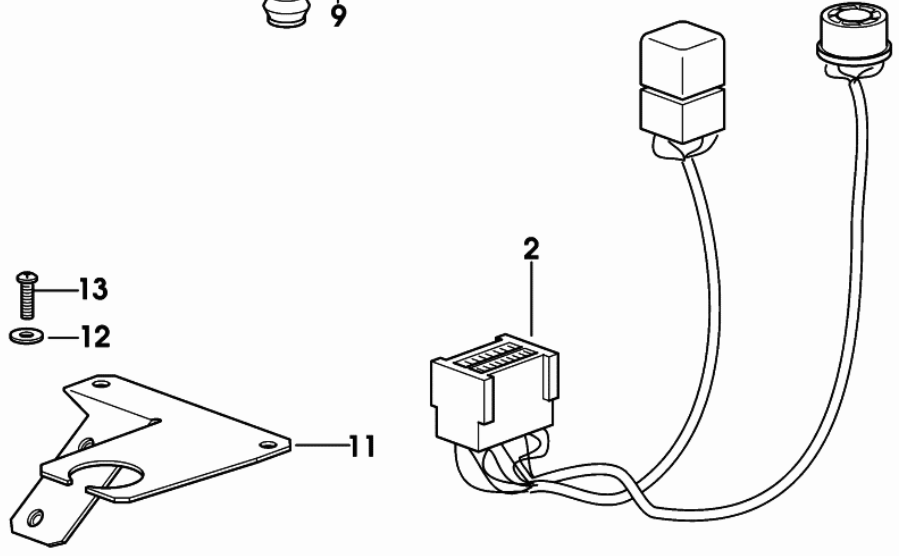
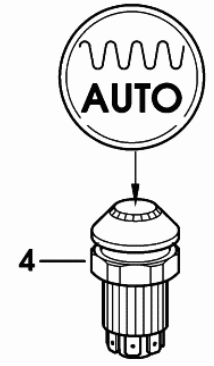
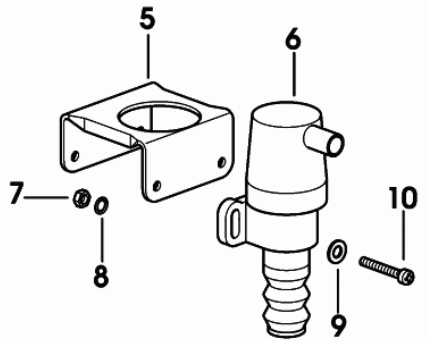
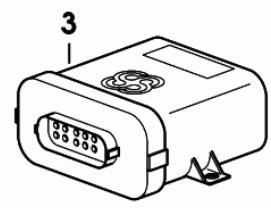
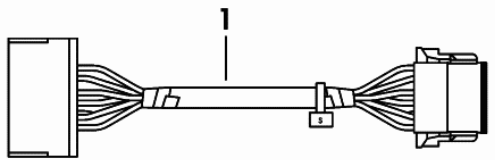
Fig.	Code	QTY	Name
40	2.8339.032.0	1	interior light COMPONENT PARTS SEE COMPONENTS LIST ☞ 2.8339.032.0 ☞ 08.00.89
43	2.0332.308.2	2	screw m 5 p.0.8 x 25
44	2.1310.001.2	2	flat washer 5.3
45	2.1011.002.2	2	nut m 5x0.8
53	2.6569.018.0	8	wire guide 20 x 8 x 15
57	0.011.3597.3	1	wire
66	2.9389.002.0	1	digital chronometers
67	2.0322.105.3	2	screw m 3 x 14
68	2.1310.028.2	2	flat washer 4
69	2.1040.101.7	2	nut m 3
71	2.8639.008.0	1	intermitent switch HG4121, 12V
75	0.012.9909.4	1	wire



9_78071_30_0_A

ELECTRICAL SYSTEM - FOR TYPES WITH MECHANICAL LIFTER + S.B.A. SYSTEM

Fig.	Code	QTY	Name
1	0.010.7382.3/30	1	wire
2	0.010.1510.3/20	1	electrical system
			COMPONENT PARTS SEE COMPONENTS LIST
			☞ 0.010.1510.3/20
			☞ 08.00.93
3	0.011.5547.4	1	central device
4	0.008.1277.0	1	switch
5	0.009.0703.0/20	1	bracket
6	2.7649.100.0	2	switch
7	2.1011.101.2	2	nut m 4 p.0.7
8	2.1470.052.2	2	lock washer 4
9	2.1310.001.2	2	flat washer 5.3
10	2.0332.207.2	2	screw m 4 p.0.7 x 20
11	0.011.3068.3	1	support
12	2.1310.001.2	2	flat washer 5.3
13	2.0332.305.3	2	screw m 5x14



9_77884_25_0_0

CLICK HERE TO **DOWNLOAD** THE COMPLETE MANUAL

- Thank you very much for reading the preview of the manual.
- You can download the complete manual from: www.heydownloads.com by clicking the link below



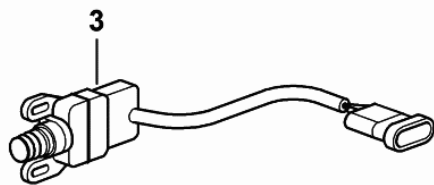
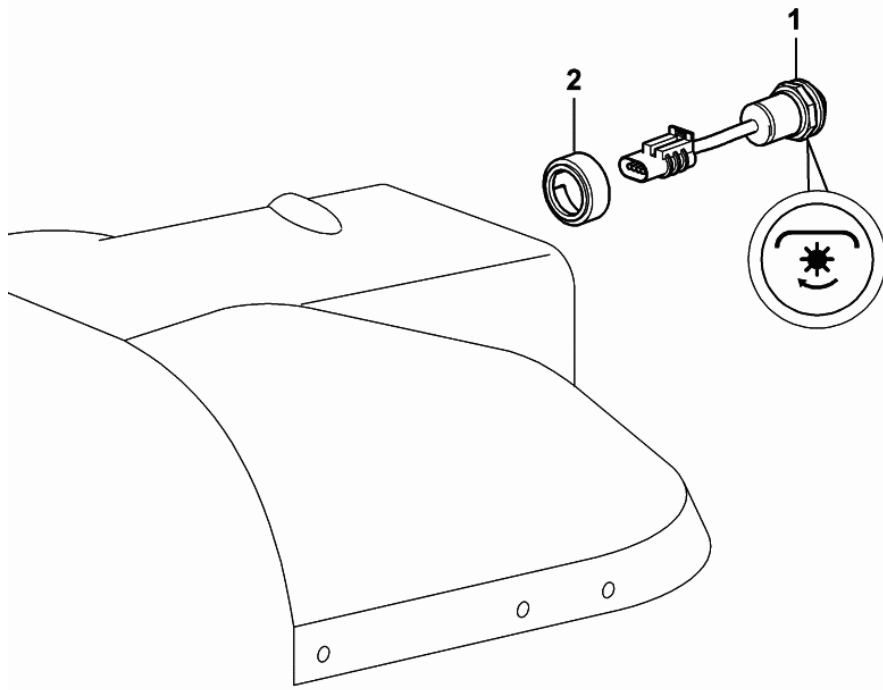
- Please note: If there is no response to CLICKING the link, please download this PDF first and then click on it.

CLICK HERE TO **DOWNLOAD** THE COMPLETE MANUAL

Section: ELECTRIC AL SYSTEM

GROUND-OPERATED CONTROL FOR REAR LIFT

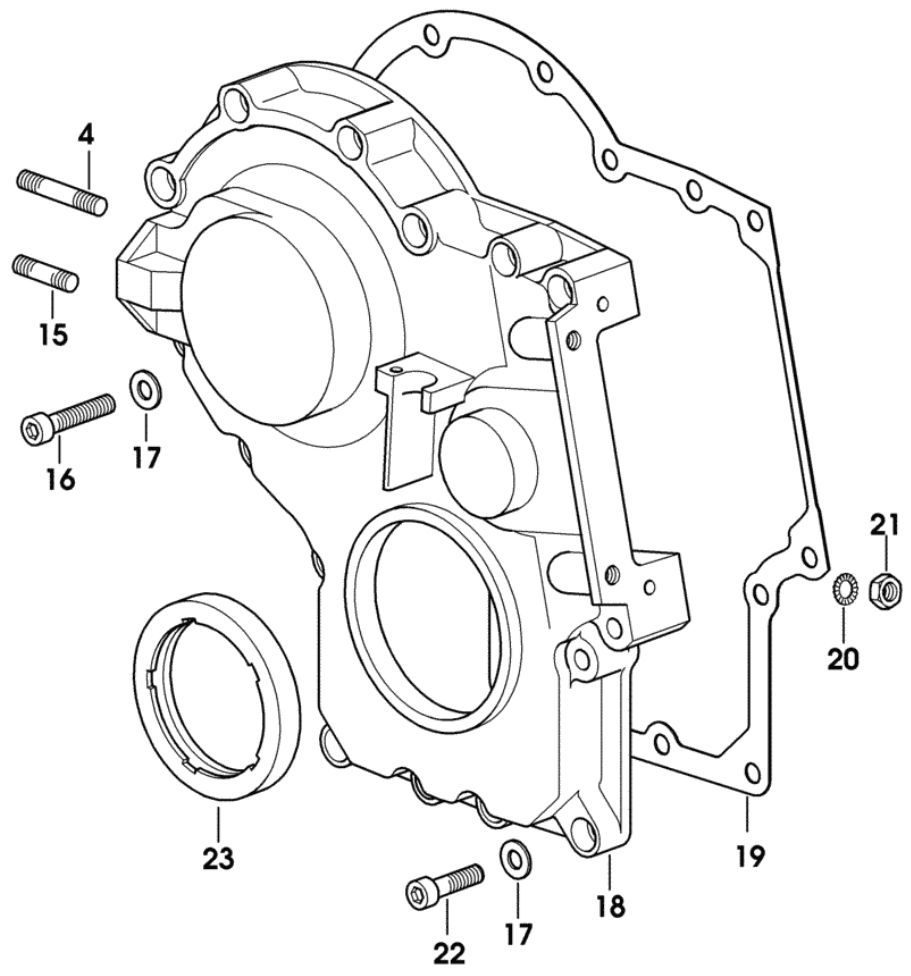
Fig.	Code	QTY	Name
1	2.7659.177.0/20	2	push-button P.T.O.
2	0.009.3987.0	2	guard
3	2.7659.096.0/10	2	switch



9_77884_09_0_0

Section: ENGINE
TIMING CASE

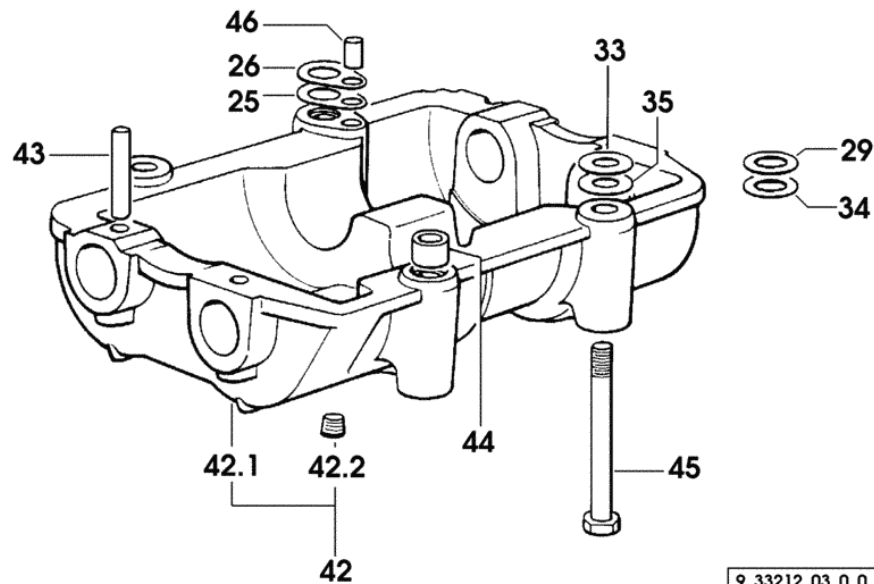
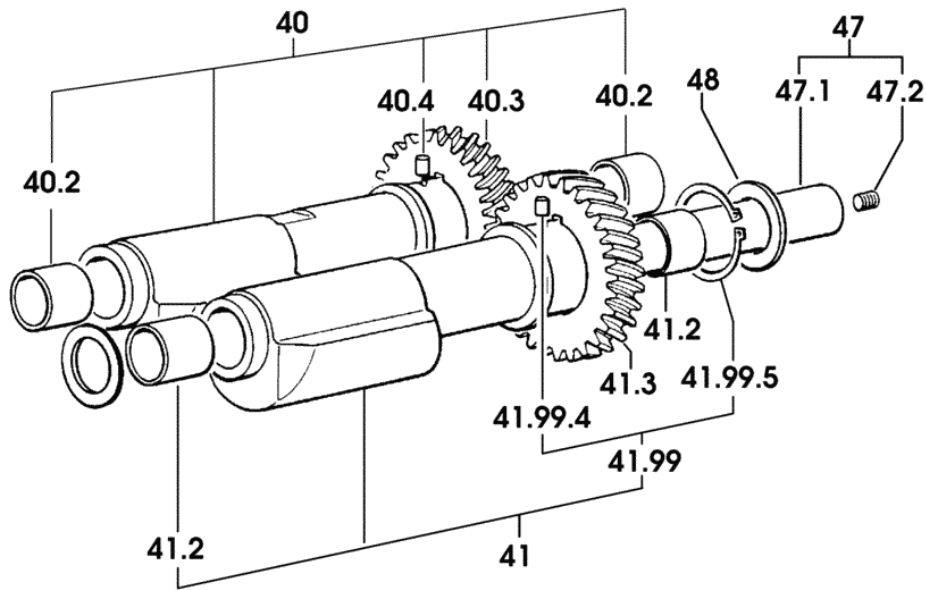
Fig.	Code	QTY	Name
4	2.0432.009.7	1	stud bolt m 8 p.1.25 / p. 1 x 35
15	2.0432.003.7	1	stud bolt m 8 p.1.25 / p.1 x 20
16	2.0312.214.2	7	screw m 8 p.1.25 x 40
17	2.1480.014.1	15	washer 8
18	0.013.4981.0	1	sump
19	0.065.1150.0/30	1	gasket
20	2.1470.004.2	4	washer 8
21	2.1011.405.2	2	nut m 8 p.1
22	2.0312.208.2	8	screw m 8 p.1.25 x 25
23	2.1529.167.0	1	'o' ring



9_M8211_00_0_B

Section: ENGINE
COUNTERWEIGHTS

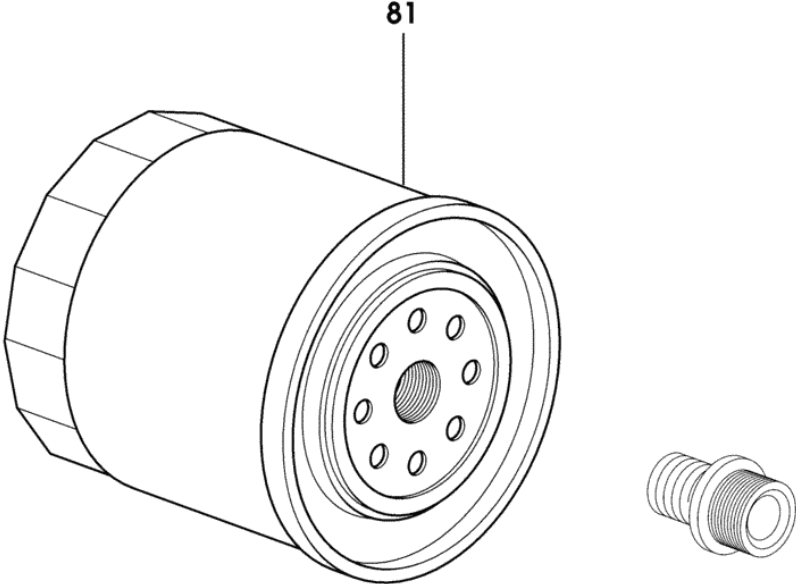
Fig.	Code	QTY	Name
25	2.1589.139.0	1	snooulder mm 0.3
26	2.1589.140.0	3	snooulder mm 0.1
29	2.1579.628.0	3	spacer 16.5x26x0.1
33	2.1579.629.0	6	spacer 12.5x26x0.1
34	2.1589.048.0	1	snooulder 16.5x26x0.3
35	2.1589.049.0	1	snooulder 12.5x26x0.3
40	0.086.1233.3/30	1	mass sx/lh/li
40.2	2.1559.115.0	2	bushing 26x30x30
40.3	0.000.0000.1	0	not serviceable
40.4	2.1651.302.0	1	roll pin 4x6
41	0.065.1233.3/30	1	mass dx/rh/re
41.2	2.1559.115.0	2	bushing 26x30x30
41.3	0.000.0000.1	0	not serviceable
41.99	0.000.0000.1	0	not serviceable
41.99.4	2.1651.302.0	1	roll pin 4x6
41.99.5	2.1410.018.7	1	circlip 45
42	0.000.0000.1	0	not serviceable
42.1	0.086.1231.0/10	1	box
42.2	2.3130.001.1	4	plug 1/8" gas
43	2.1631.717.0	2	roll pin 8 x 40
44	2.1579.626.0	2	spacer 13.2x16x11
45	2.0139.028.2	4	screw m 12
46	2.1699.191.0	1	sleeve 7x10x16
47	0.000.0000.1	0	not serviceable
47.1	0.065.1234.0/10	1	shaft
47.2	2.3130.001.1	1	plug 1/8" gas
48	2.1589.185.0	4	snooulder 26.1x34x1



9_33212_03_0_0

LUBRIC. OIL FILTER

Fig.	Code	QTY	Name
81	0.044.1567.0	1	oil filter element

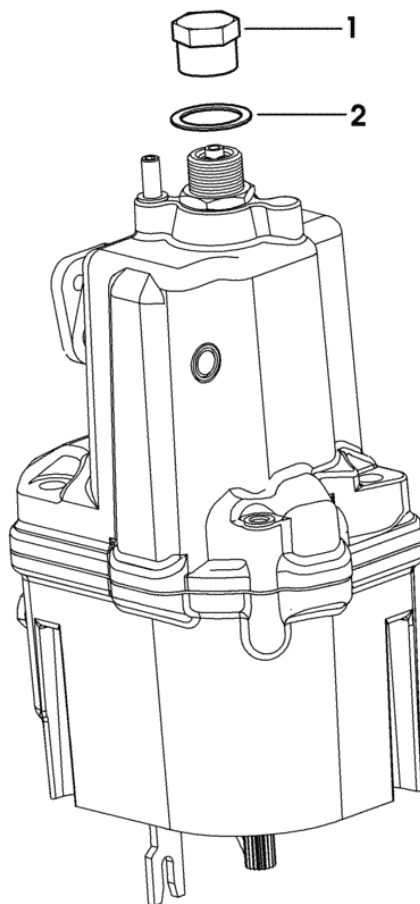


9_33015_04_0_0

Section: ENGINE

PLUG FOR MECHANICAL REGULATOR

Fig.	Code	QTY	Name
1	2.3119.025.2	1	plug m 18 p.1.5
2	2.1560.016.0	1	gasket 20.2 x 26

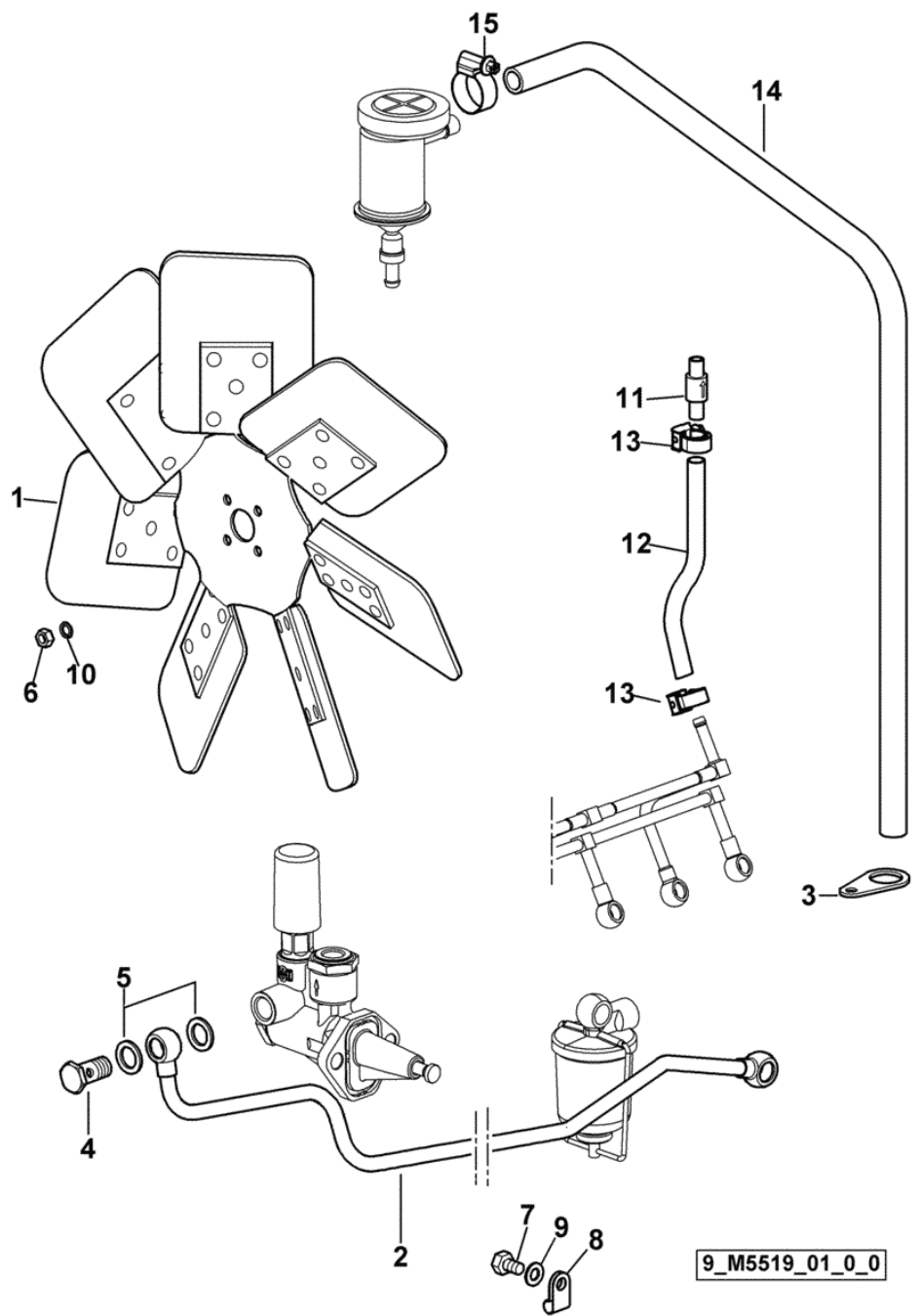


9_33016_09_0_0

Section: ENGINE

PARTS SET - ENGINE MOUNTING

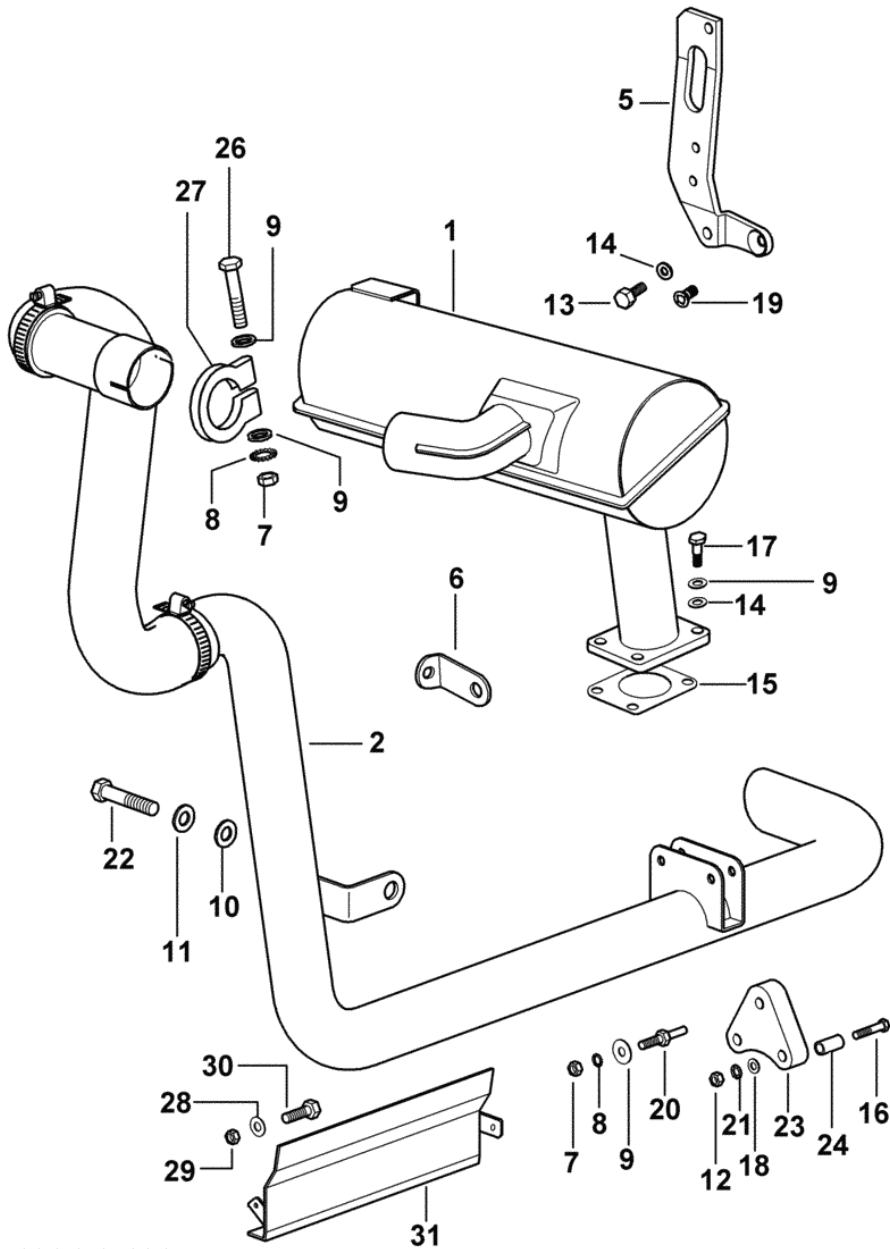
Fig.	Code	QTY	Name
1	0.013.2754.0	1	rotor blade
2	0.013.7360.3/10	1	tube
3	0.075.1151.0	1	bracket
4	2.3339.357.2/10	1	pipe union m 14 p.1.5x28
5	2.1561.007.0	2	gasket 14,8x22.2
6	2.1011.305.2	4	nut m 8 p.1 x 8
7	2.0112.305.2	1	screw m 10 p.1.5 x 16
8	2.6859.059.0	1	clamp Ø 10.5
9	2.1310.006.2	1	flat washer 10.5
10	2.1470.004.2	1	washer 8
11	0.013.8464.4	1	valve
12	0.011.5937.0	0	tube 8x15x1900
13	2.6851.019.0	2	clamp Ø 13/20
14	0.013.5653.0	1	tube
15	2.6851.002.0	1	clamp Ø 20/32



9_M5519_01_0_0

Section: ENGINE
SIDE EXHAUST SILENCER

Fig.	Code	QTY	Name
1	0.013.5668.3/20	1	exhaust silencer
2	0.013.6821.4/30	1	tube
5	0.007.6516.2/20	1	bracket
6	0.011.4249.0	1	bracket
7	2.1011.106.2	2	nut m 10 p.1.5
8	2.1470.006.2	2	lock washer 10
9	2.1310.006.2	7	flat washer 10.5
10	2.1310.010.2	1	flat washer 16
11	2.1470.009.2	1	lock washer 16
12	2.1011.105.2	2	nut m 8 p.1.25
13	2.0112.310.2	1	screw m 10 p.1.5x28
14	2.1474.010.2	5	washer 10
15	0.007.0984.0	1	gasket
16	2.0112.215.2	2	screw m 8 p.1.25 x 40
17	2.0399.121.0	4	screw m 10 x 25
18	2.1310.004.2	2	flat washer 8.5
19	2.0342.405.6	1	screw m 10 p 1.5 x 20
20	2.1699.493.2	1	pin
21	2.1470.004.2	2	washer 8
22	2.0112.620.2	1	screw m 16 p.2x55
23	0.010.8826.0	1	anti-vibration mounting
24	2.1549.391.2	2	spacer 8.4x12x25
26	2.0112.325.2	1	screw m 10 p.1.5 x 80
27	0.008.0501.0/10	1	clamp
28	2.1474.009.2	1	spring washer 8
29	2.1011.105.2	1	nut m 8 p.1.25
30	2.0114.207.2	1	screw m 8 p.1.25 x 20
31	0.013.8306.2	1	shield



9_B9756_01_0_0

EXPLORER 75 (New)

Section: FRONT AND REAR P.T.O.

Ref.: 05.00.4

P.T.O. - HYDRAULIC CLUTCH - FOR ELECTROHYDRAULIC CONTROLS

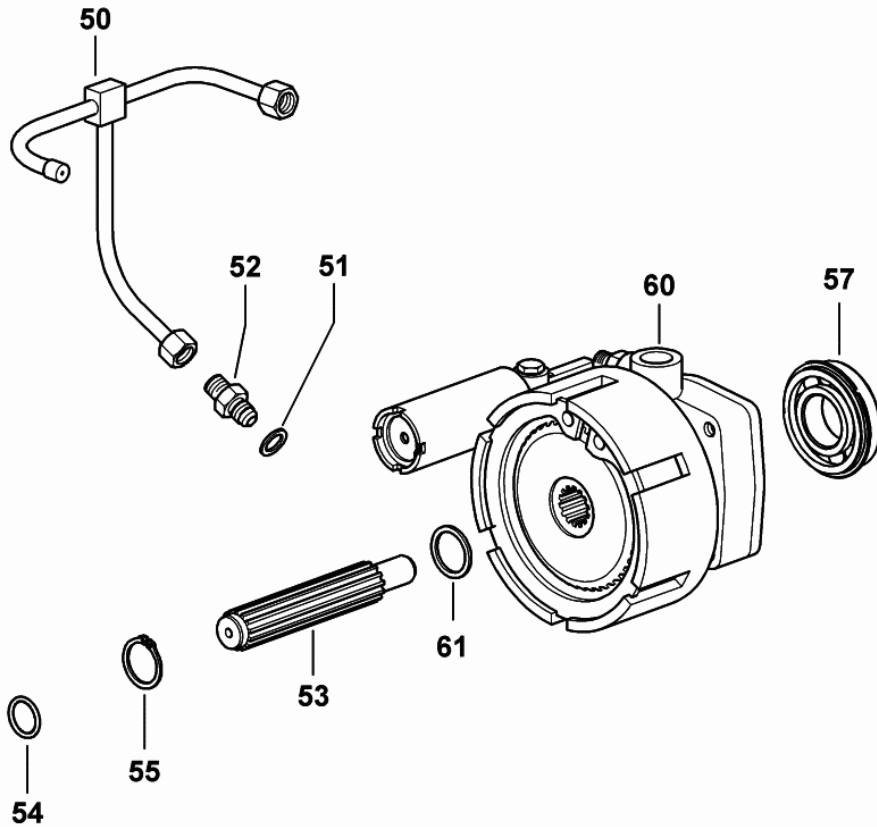


Fig.	Code	QTY	Name
50	0.445.3953.2/10	1	tube
51	2.1560.008.0	1	gasket 12.2 x 18
52	2.3339.453.2	1	pipe fitting m 12 p.1.25-1/2"
53	0.445.3930.0	1	shaft
54	2.1530.048.0	1	'o' ring 18.72x2.62
55	2.1410.009.1	1	circlip 24
57	2.2043.009.0	1	ball bearing 30x62x16
60	0.012.7103.4/20	1	hydraulic pto clutch 1013 <- X EXPLORER 75 1188 <- X EXPLORER 85 1739 <- X EXPLORER 95 COMPONENT PARTS SEE COMPONENTS LIST ☞ 0.012.7103.4/20 ☞ 05.00.40
60	0.012.7103.4/40	1	hydraulic pto clutch -> 1014 X EXPLORER 75 -> 1189 X EXPLORER 85 -> 1740 X EXPLORER 95 COMPONENT PARTS SEE COMPONENTS LIST ☞ 0.012.7103.4/40 ☞ 05.00.41
61	2.1599.761.0	1	thrust plate 24x30x2

9_54639_02_0_0

PTO - 2-SPEED WITH INSERTED END SHAFT

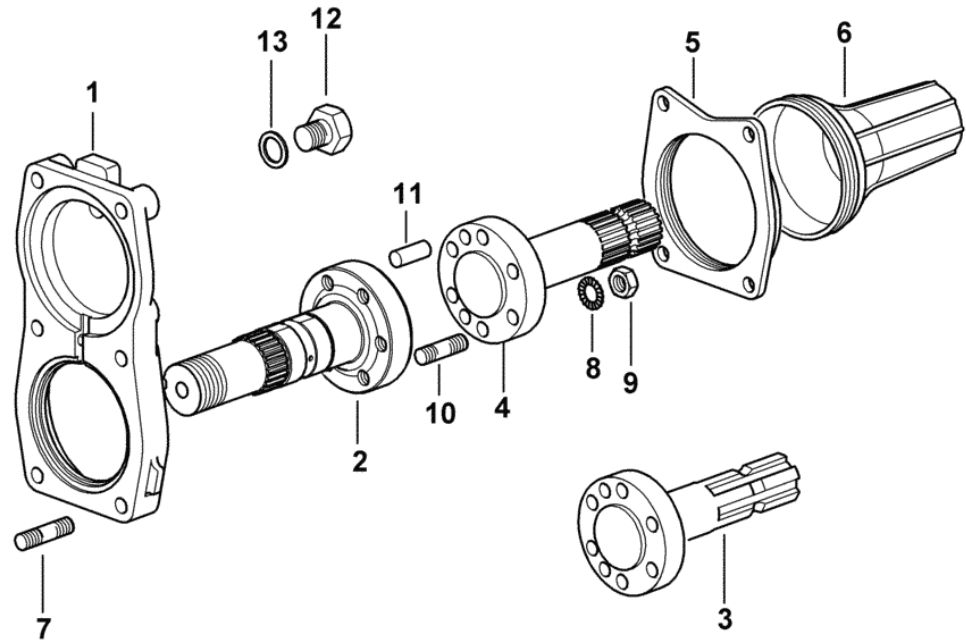
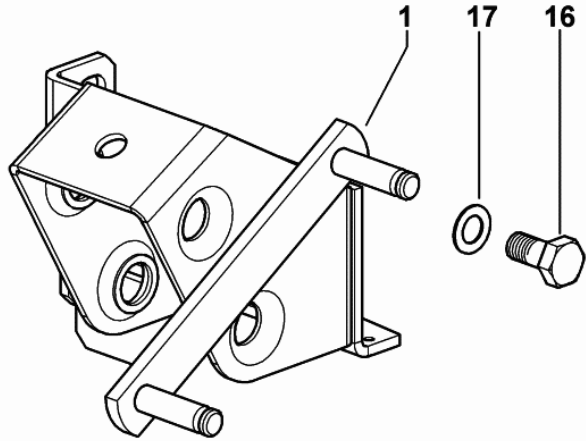


Fig.	Code	QTY	Name
1	0.009.6901.0	1	cover
2	0.255.3663.0/20	1	shaft P.T.O.
3	0.167.3660.0/30	1	p.t.o.shaft 1" 3/8, Z = 6
4	0.163.3671.0/40	1	p.t.o.shaft 1" 3/8, Z = 21
5	0.445.3151.0	1	flange
6	0.008.0757.0	1	guard
7	2.0432.161.7	6	stud bolt m 10 p.1.5 / p.1.25 x 40
8	2.1470.006.2	6	lock washer 10
9	2.1011.421.2	6	nut m 10 p.1.25
10	2.0432.155.7	6	stud bolt m 10 p.1.5 / p. 1.25 x 25
11	2.1651.811.0	2	cylindrical plug 10x24
12	2.3110.403.1	1	plug m 14 p.1.5
13	2.1560.010.0	1	gasket 14.2 x 20 x 1.5

9_B8636_11_0_0

SUPPORT

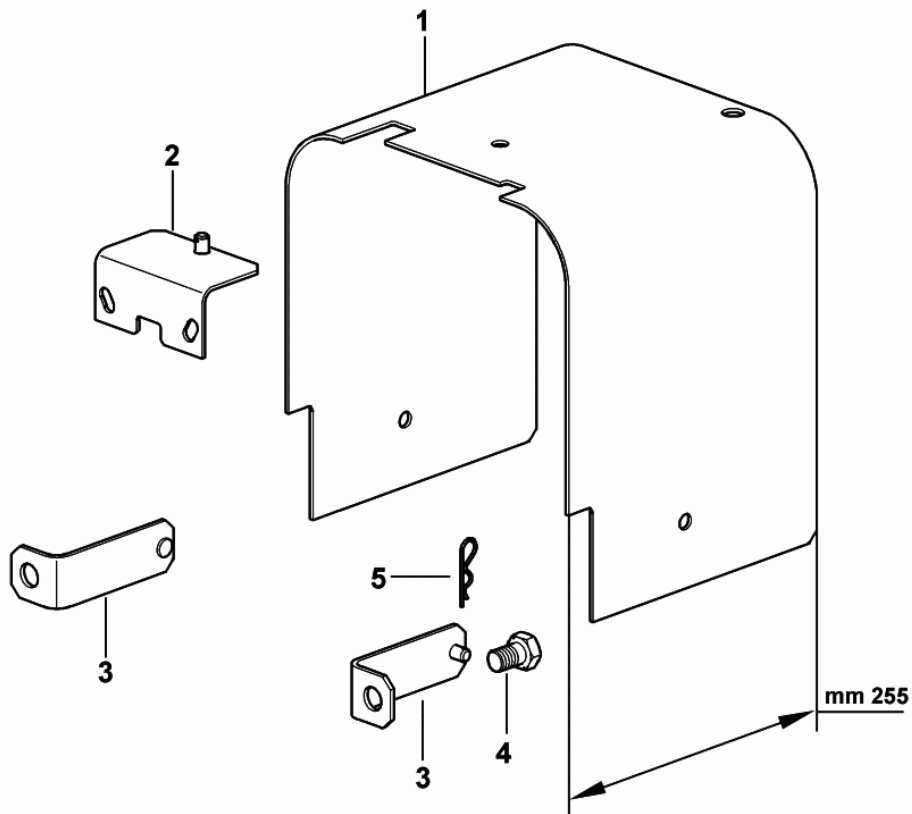
Fig.	Code	QTY	Name
1	0.008.9472.3/20	1	support
16	2.0112.307.2	2	screw m 10 p.1.5 x 20
17	2.1470.006.2	2	lock washer 10



9_B8668_00_0_0

P.T.O. SHAFT PROTECTOR REAR EXPORT GB

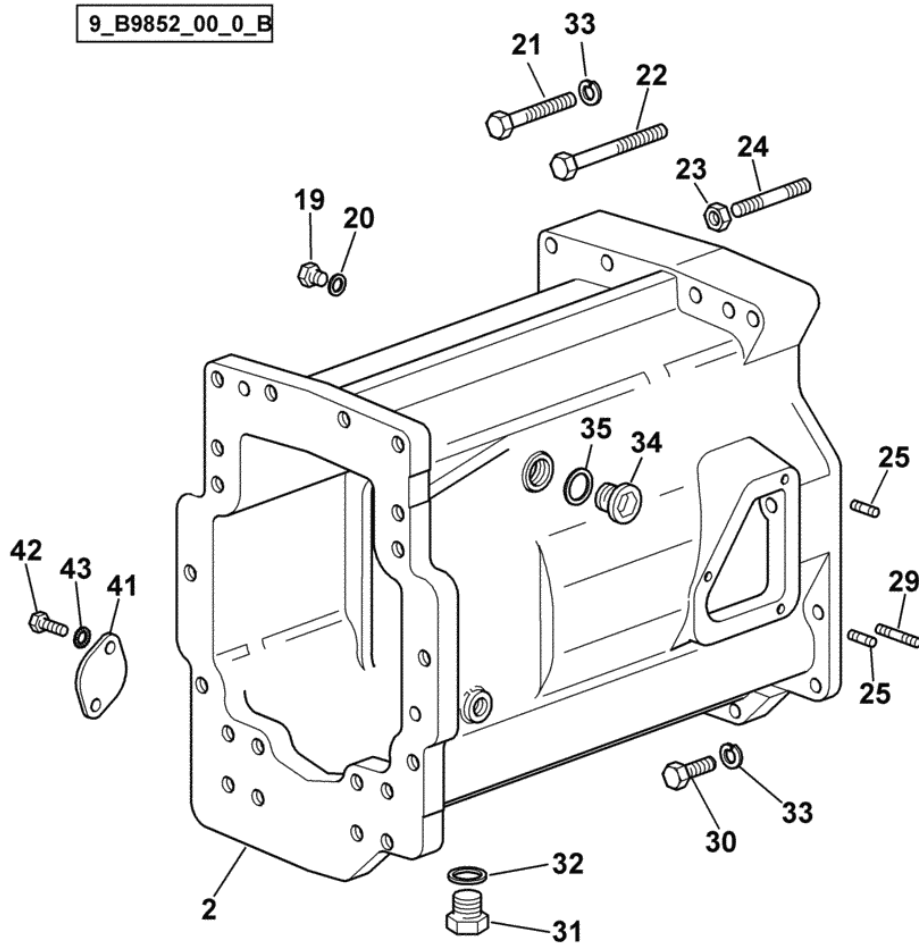
Fig.	Code	QTY	Name
1	0.011.0767.0	1	small sump
2	0.255.3668.2/20	1	square
3	0.255.3669.2	2	square
4	2.0112.609.2	2	screw m 16 p.2 x 25
5	2.1699.180.2	2	pin



9_40536_22_0_0

JUNCTION CASE - FOR TYPES WITHOUT HYDRAULIC SHUTTLE

Fig.	Code	QTY	Name
2	0.011.8605.0/10	1	clutch housing
19	2.3110.302.2	1	plug m 12 p.1.75 x 10
20	2.1560.008.0	1	gasket 12.2 x 18
21	2.0112.427.2	7	screw m 12 p.1.75 x 90
22	2.0112.431.2	1	screw m 12 p.1.75 x 110
23	2.1011.422.2	1	nut m 12 p.1.25
24	2.0432.272.7	1	stud bolt m 12 p.1.75-1.25x85
25	2.0422.202.7	2	stud bolt m 8 p.1.25 x 18
29	2.0422.213.7	1	stud bolt m 8 p.1.25 x 45
30	2.0112.421.2	4	screw m 12 p.1.75 x 60
31	2.3110.423.2	1	plug m 24 p.1.5x18.5
32	2.1560.019.0	1	gasket 24.3x30
33	2.1475.004.7	12	washer 13 x 24
34	2.3120.004.4	1	plug m 32
35	2.1560.025.0	1	gasket
41	0.010.5124.0	1	small plate
42	2.0112.307.2	2	screw m 10 p.1.5 x 20
43	2.1470.006.2	2	lock washer 10



9_B9852_00_0_B

Section: FRONT AXEL

4WD - FRONT BRAKES - WITH WATERPROOF SEALS

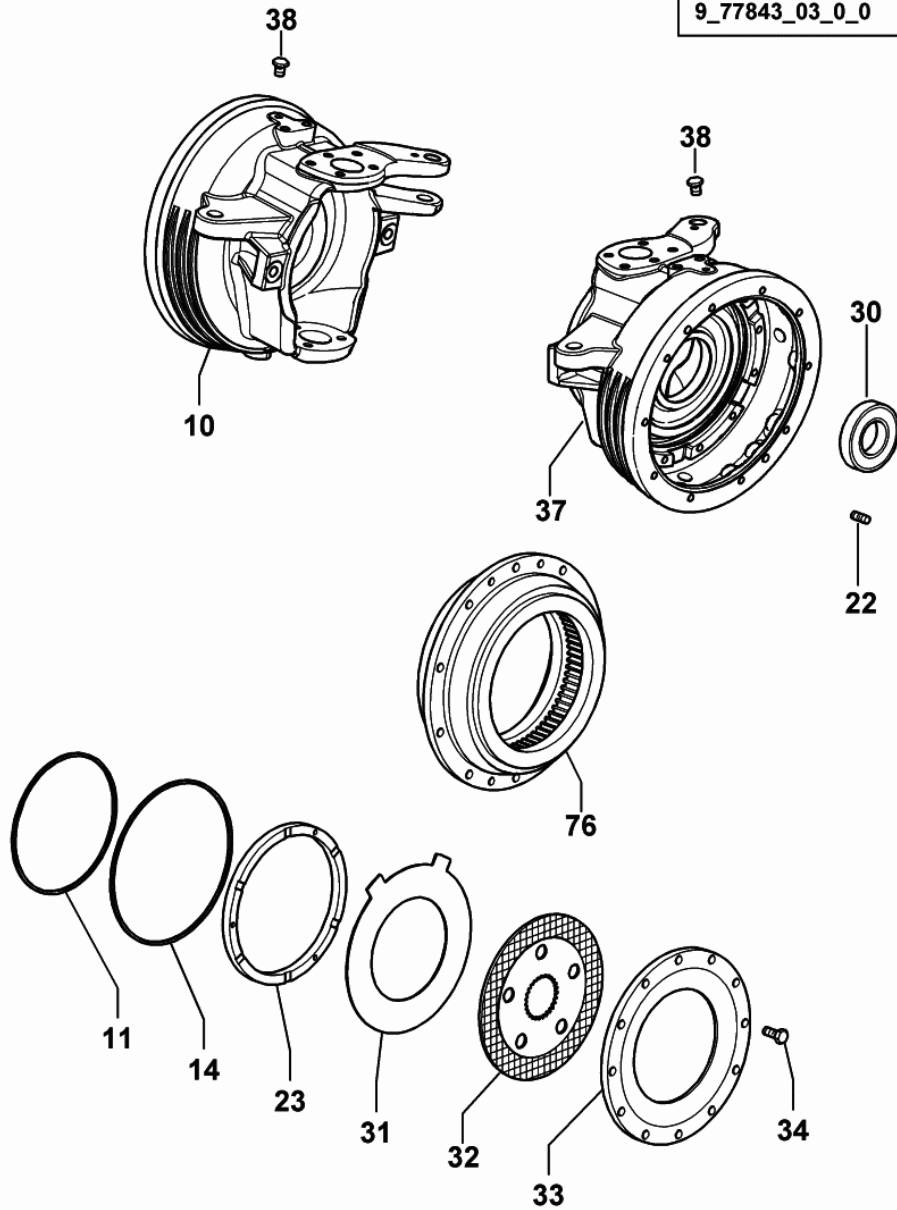
9_77843_03_0_0

Fig.	Code	QTY	Name
------	------	-----	------

Notes:

1013 <- X EXPLORER 75 1215 <- X EXPLORER 85 1941 <- X EXPLORER 95 - FOR DOUBLE-ACTING CYLINDER

10	0.010.6123.0/50	1	fork dx/rh/re
11	0.275.4354.0/20	2	gasket 183.6x190.4x3.4
14	0.275.4353.0/20	2	gasket 215.6x222.4x3.4
22	2.0433.155.7	20	stud bolt m 10 p.1.25 x 25
23	0.275.4350.0	2	piston
30	2.1529.161.0/10	2	'o' ring 65x90x13/14.5
31	0.275.4351.0	2	disc
32	0.011.9551.0	2	brake disc
33	0.275.4352.0/10	2	flange
34	2.0139.025.1	24	screw m 10 p.1.25 x 25
37	0.010.6124.0/50	1	fork sx/lh/li
38	2.3199.125.0	2	plug 1/8" gas
76	0.011.0665.3	2	crown wheel



Section: FRONT AXEL
4WD - FRONT DIFFERENTIAL LOCK

9_62046_01_0_0

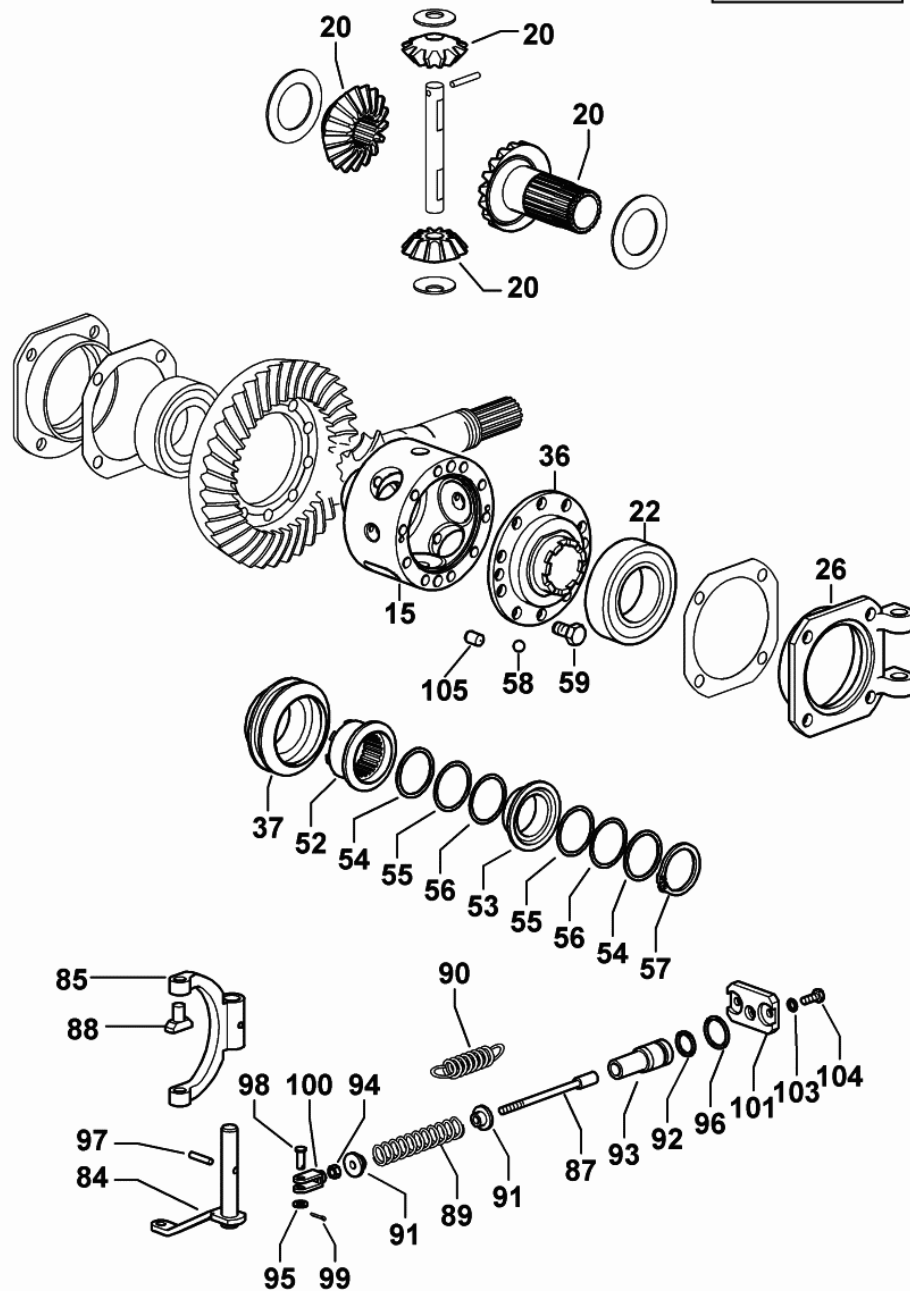
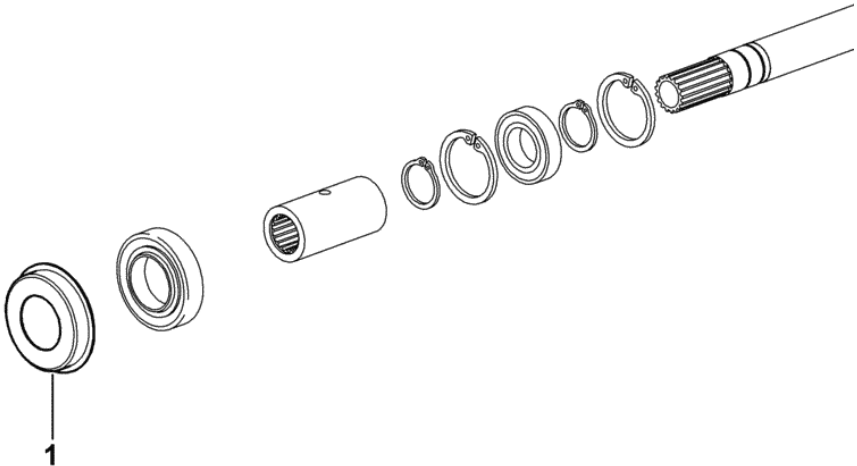


Fig.	Code	QTY	Name
15	0.275.4610.0/10	1	differential carrier 1013 <- X EXPLORER 75 1077 <- X EXPLORER 85 1123 <- X EXPLORER 95
15	0.013.6062.0/30	1	differential carrier -> 1014 X EXPLORER 75 -> 1078 X EXPLORER 85 -> 1124 X EXPLORER 95
20	0.275.4622.3/10	1	crown wheel 1013 <- X EXPLORER 75 1077 <- X EXPLORER 85 1123 <- X EXPLORER 95
20	0.013.6076.3	1	crown wheel -> 1014 X EXPLORER 75 -> 1078 X EXPLORER 85 -> 1124 X EXPLORER 95
22	2.2520.011.0	1	roller bearing 50x90x21.75
26	0.467.4650.0/30	1	flange
36	0.255.4615.0/30	1	flange
37	0.255.4617.0	1	sleeve
52	0.255.4618.0/10	1	sleeve
53	0.255.4619.0	1	spacer
54	2.1599.317.0	2	thrust plate 38.5 x 44.50 x 1.5
55	2.1580.130.0	4	shim 38.5 x 44.50 x 0.5
56	2.1580.131.0	4	shim 38.5 x 44.50 x 0.2
57	2.1410.015.1	1	circlip 38
58	2.2810.006.0	17	ball 3/8" WD
59	2.0139.002.1	10	screw m 10 p.1.25 x 20
84	0.007.2705.2/10	1	lever
85	0.467.4657.0/10	1	fork
87	0.467.4659.0/10	1	ferrule
88	0.467.4660.0	2	shoe
89	2.4019.397.2	1	spring
90	2.4049.184.2	1	spring 12.4x18x2.8x56
91	0.272.4651.0	2	spacer
92	2.1530.043.0	1	'o' ring 17.13x2.62
93	0.007.6282.0/30	1	piston
94	2.1011.103.2	1	nut m 6 p.1
95	2.1310.002.2	1	washer 6.6, d125
96	2.1530.062.0	1	'o' ring 23.81 x 2.62
97	2.1630.511.0	1	roll pin 5x24
98	2.1671.103.2	1	pin 6x18
99	2.1690.205.2	1	split pin 2x12
100	2.3510.003.2	1	fork m 6

Section: FRONT AXEL
4WD - TRANSMISSION SHAFT

Fig.	Code	QTY	Name
1	0.011.1310.0	1	ring



9_B8626_01_0_0

EXPLORER 75 (New)

Section: FRONT HYDRAULIC POWER-LIFT

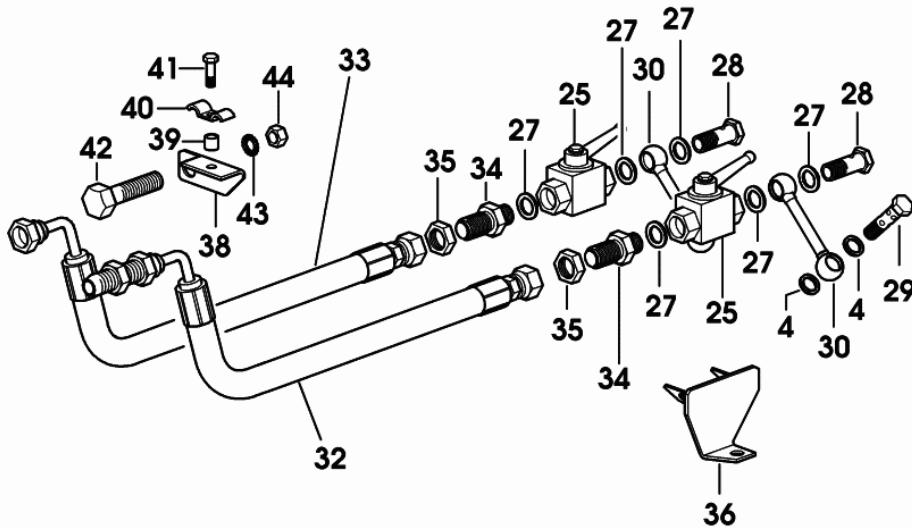
Ref.: 0C.00.4

FRONT HYDRAULIC POWER-LIFT - FOR MODELS WITHOUT FRONT P.T.O.

Fig.	Code	QTY	Name
------	------	-----	------

Notes:

1013 <- X EXPLORER 75 1143 <- X EXPLORER 85 1501 <- X EXPLORER 95



4	2.1560.014.0	16	gasket 18.2 x 24 x 1.5
25	0.009.0375.4/10	2	valve
27	2.1560.053.0	8	gasket 17 x 21
28	2.3339.063.2	2	pipe union 3/8" gas x 30
29	2.3339.799.2/10	2	pipe union
30	0.011.0700.3	2	tube
32	0.013.7350.3/10	1	tube
33	0.013.7352.3/10	1	tube
34	2.3339.612.2/20	3	pipe fitting
35	2.1019.093.2	3	nut 1/2 - 20 UNF-2B
36	0.011.0721.2/10	1	support
38	0.011.0809.3	1	square
39	2.1549.341.2	1	spacer 6.5x11x11
40	0.154.6381.0	1	terminal
41	2.0112.009.2	1	screw m 6 p.1 x 25
42	2.0114.525.2	1	screw m 14x90
43	2.1470.008.2	1	lock washer 14
44	2.1011.208.2	1	nut m 14 p.2

9_B9859_83_0_B

9_18823_00_0_0

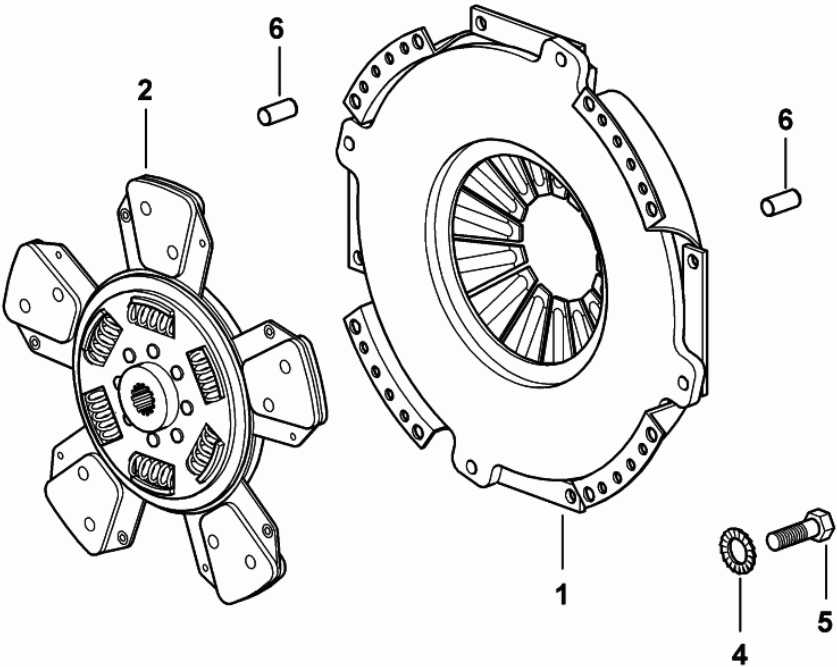
Section: GEAR
CLUTCH 13"

Fig.	Code	QTY	Name
------	------	-----	------

Notes:

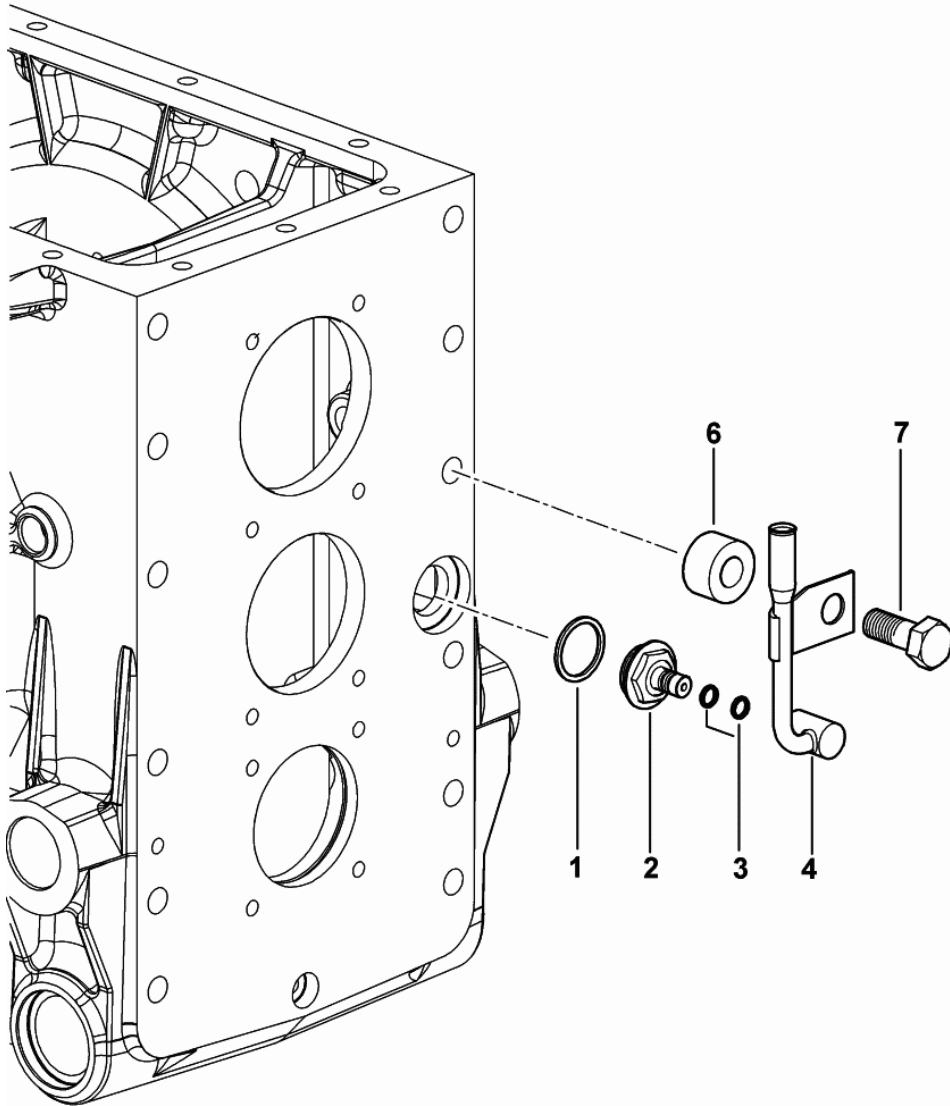
-> 1014 X EXPLORER 75 -> 1182 X EXPLORER 85 -> 1702 X EXPLORER 95

1	0.012.7094.3	1	clutch assy 13"
2	0.012.7095.3/10	1	clutch disc 13"
4	2.1470.004.2	8	washer 8
5	2.0112.207.2	8	screw m 8 p 1.25 x 20
6	2.1699.173.0	2	pin 7.9x18



Section: GEAR
DIPSTICK

Fig.	Code	QTY	Name
1	2.1560.023.0	1	gasket 30.3 x 36
2	0.009.7894.0	1	plug
3	2.1530.016.0	2	'o' ring 8.73 x 1.78
4	0.010.4361.2	1	tube
6	2.1549.262.0	1	spacer 17x35x20
7	2.0112.615.2	1	screw m 16 p.2 x 40

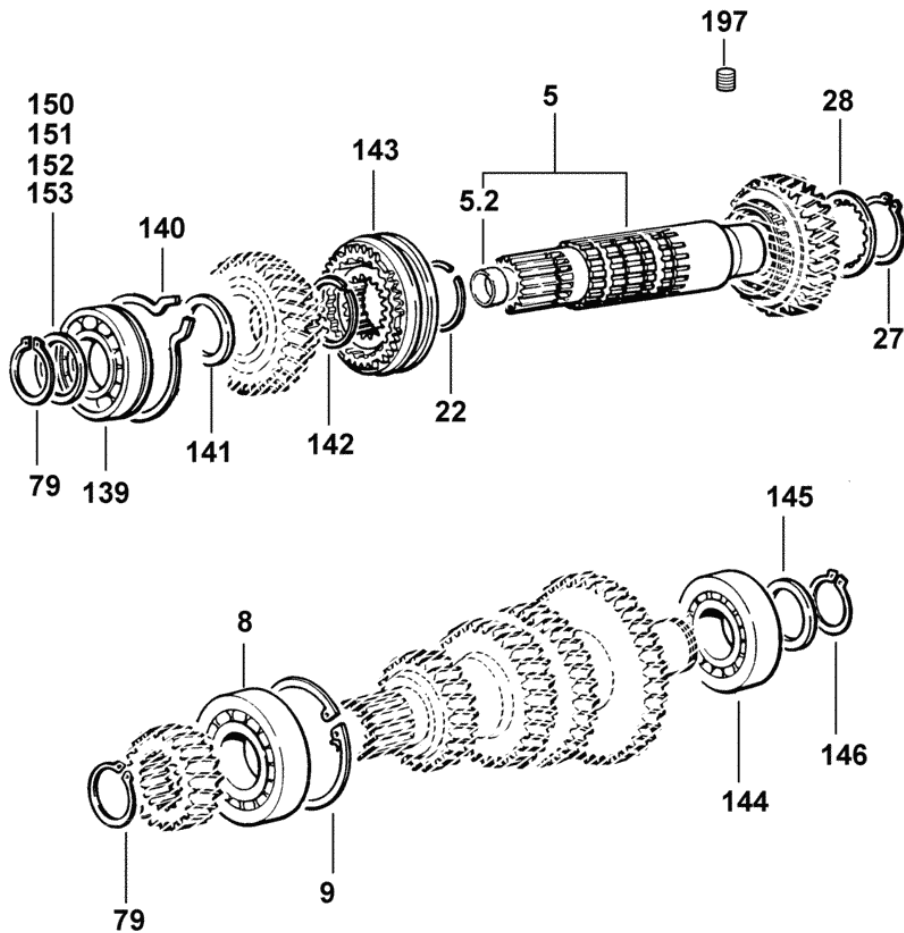


9_62331_01_0_0

Section: GEAR

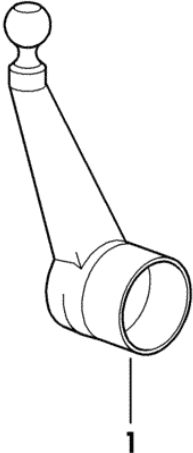
5 SPEED GEARBOX - WITH HML

Fig.	Code	QTY	Name
5	0.012.9651.3	1	shaft
5.2	2.1555.214.0	1	bushing 25 x 28 x 15
8	2.2999.367.0	1	bearing 40 x 90 x 23
9	2.1411.036.1	1	circlip 90
22	2.1499.153.7	7	circlip 41 x 1.5
27	2.1419.034.1	3	circlip 44
28	0.255.3372.0	4	shoulder
79	2.1410.016.1	4	circlip 40
139	2.2042.012.0	1	ball bearing 40 x 80 x 18
140	2.1499.052.1/10	1	circlip 80
141	0.255.3450.0	1	snoulder 40 x 60 x 3.5
142	2.1499.152.7	1	circlip 41 x 1.8
143	0.011.8631.4	1	lock synchronizer \varnothing 71/76
			COMPONENT PARTS SEE COMPONENTS LIST
			0.011.8631.4
			02.00.16
144	2.2060.011.0	1	ball bearing 35 x 80 x 21
145	2.1599.874.0	1	washer 35 x 45 x 3.0
146	2.1410.014.1	1	circlip 35
150	2.1599.414.0	2	snoulder 40 x 50 x 3.0
151	2.1599.423.0	1	snoulder 40 x 50 x 2.9
152	2.1599.424.0	2	snoulder 40 x 50 x 2.8
153	2.1599.425.0	1	snoulder 40 x 50 x 2.7
197	2.0599.089.7	1	grain m 5 p.0.8 x 50



Section: GEAR
HAND LEVER

Fig.	Code	QTY	Name
1	0.011.7915.3	1	lever



9_B7833_01_0_0

Section: GEAR

SPEED RANGE REDUCTION GEAR UNIT

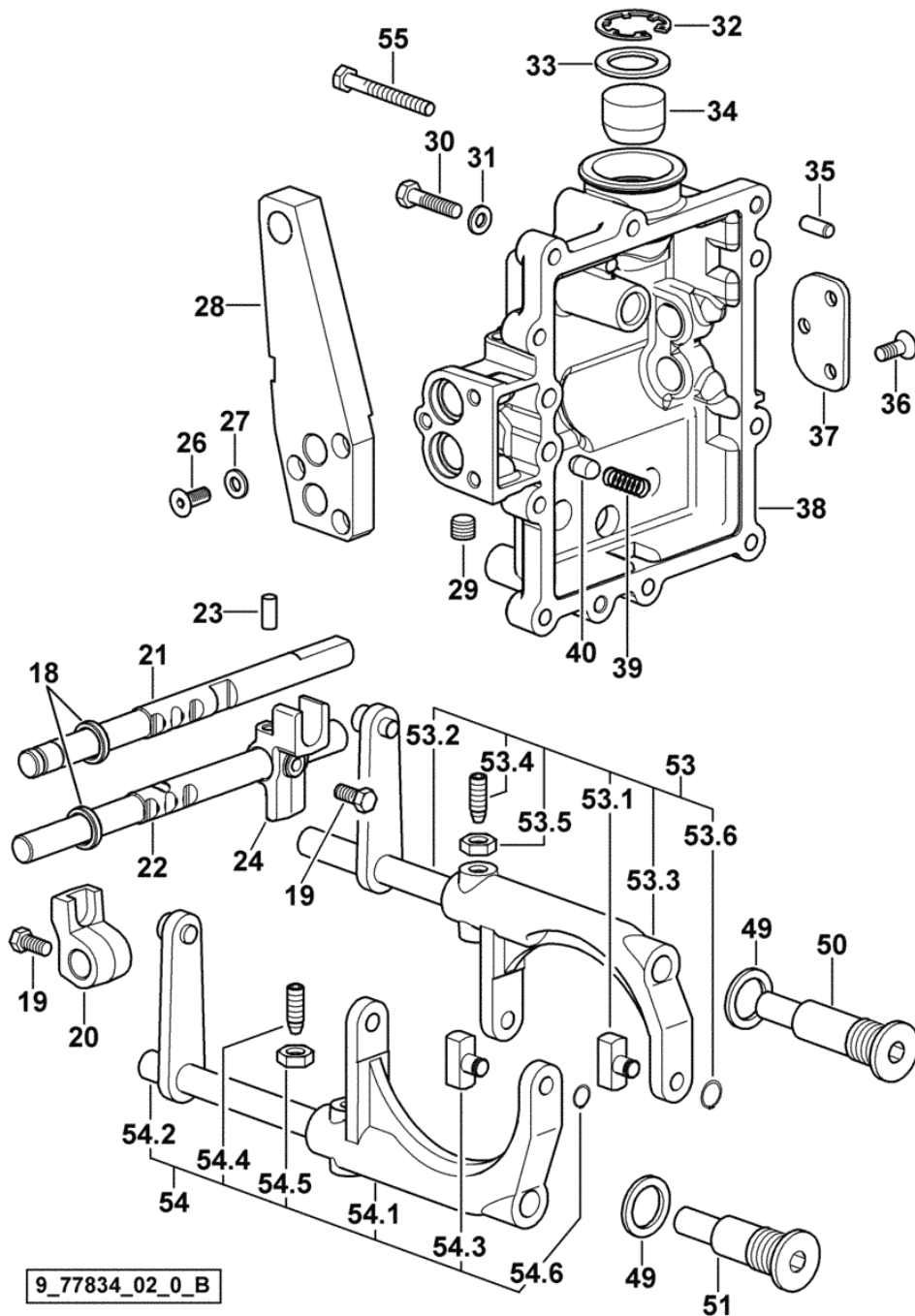


Fig.	Code	QTY	Name
18	2.1530.040.0	2	'o' ring 15.88x2.62 1013 <- X EXPLORER 75 1160 <- X EXPLORER 85 1580 <- X EXPLORER 95
18	2.1519.078.0	2	'o' ring 16 x 24 x 6 -> 1014 X EXPLORER 75 -> 1161 X EXPLORER 85 -> 1581 X EXPLORER 95
19	2.0399.019.1	2	screw m 8 p.1 x 16
20	0.008.4316.0/30	1	hub
21	0.007.2633.0/30	1	rod mm 267 1013 <- X EXPLORER 75 1160 <- X EXPLORER 85 1580 <- X EXPLORER 95
21	0.013.5360.0/20	1	rod -> 1014 X EXPLORER 75 -> 1161 X EXPLORER 85 -> 1581 X EXPLORER 95
22	0.007.2634.0/20	1	rod mm 267 1013 <- X EXPLORER 75 1160 <- X EXPLORER 85 1580 <- X EXPLORER 95
22	0.013.5361.0/20	1	rod -> 1014 X EXPLORER 75 -> 1161 X EXPLORER 85 -> 1581 X EXPLORER 95
23	2.1699.267.0	1	pin 8x18
24	0.007.2630.0	1	small lever 1013 <- X EXPLORER 75 1160 <- X EXPLORER 85 1580 <- X EXPLORER 95
24	0.013.5458.0	1	small lever -> 1014 X EXPLORER 75 -> 1161 X EXPLORER 85 -> 1581 X EXPLORER 95
26	2.0312.208.2	3	screw m 8 p.1.25 x 25
27	2.1480.014.1	3	washer 8
28	0.010.8558.0/10	1	support 1013 <- X EXPLORER 75 1160 <- X EXPLORER 85 1580 <- X EXPLORER 95
28	0.013.5462.0	1	support -> 1014 X EXPLORER 75 -> 1161 X EXPLORER 85

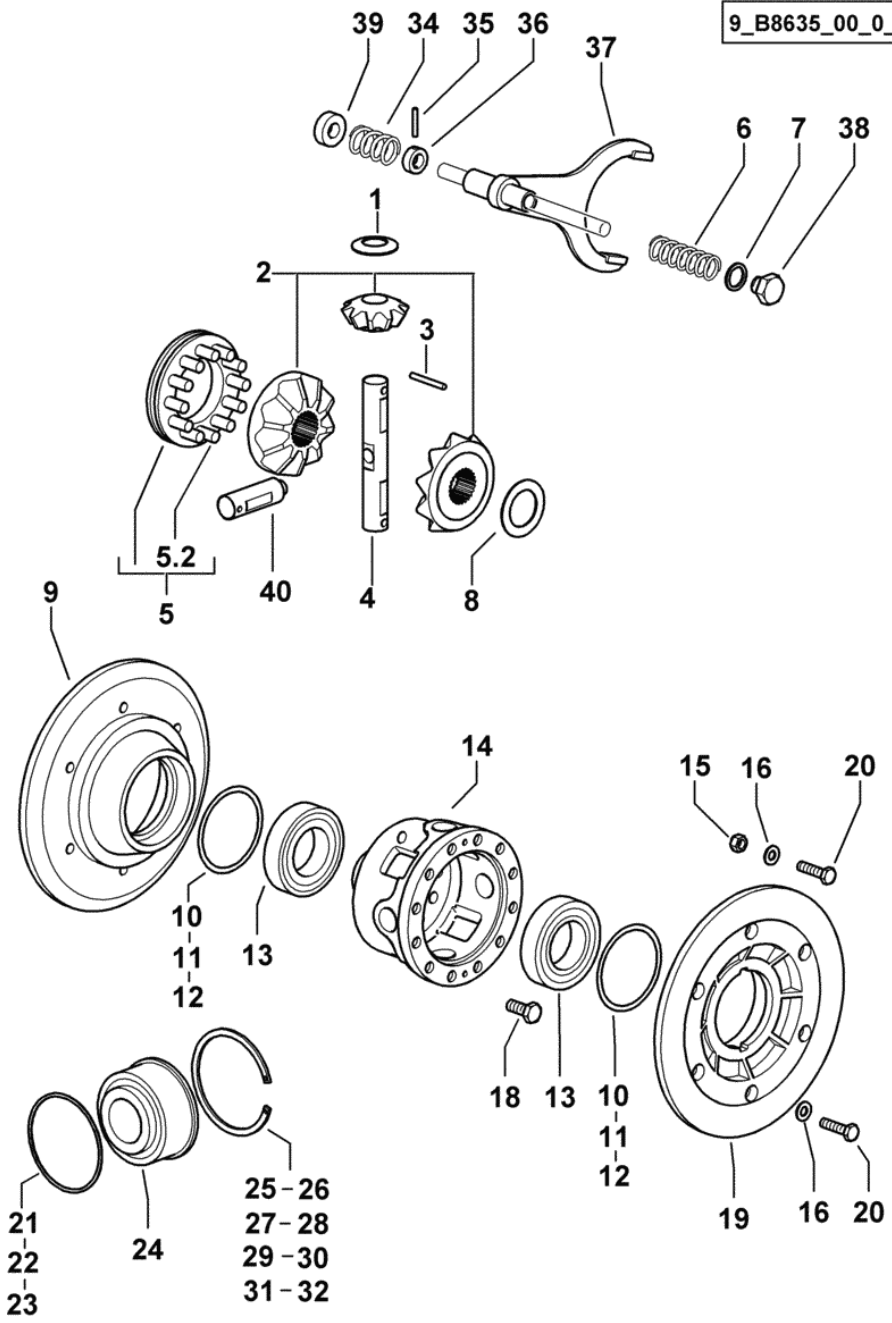
9_77834_02_0_B

Section: GEAR

TRANSMISSION DIFFERENTIAL

9_B8635_00_0_0

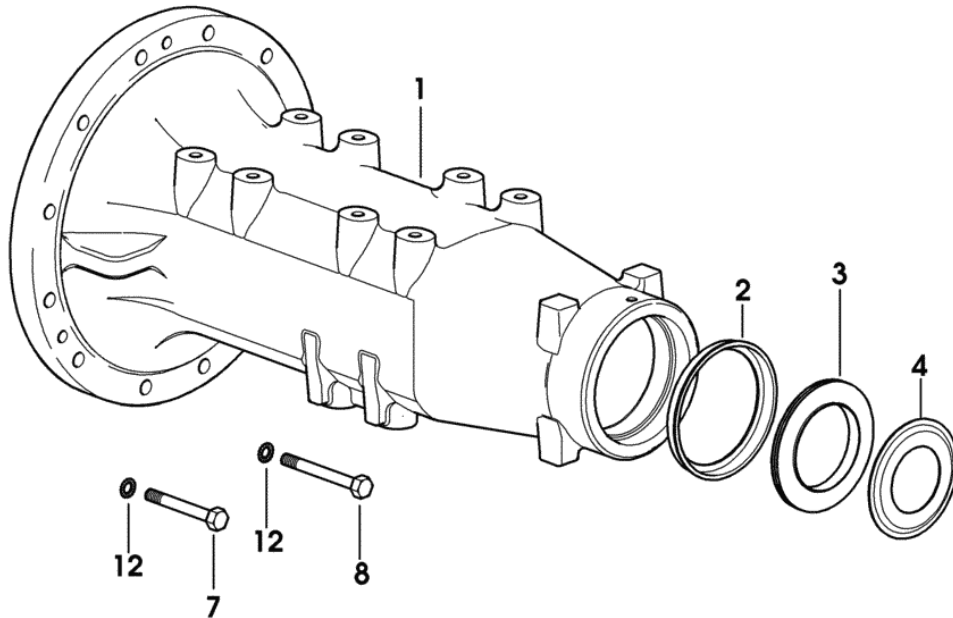
Fig.	Code	QTY	Name
1	0.157.3550.0	4	snooulder
2	0.011.7735.3	1	crown wheel
3	2.1631.519.0	2	roll pin 6x50
4	0.010.0614.0/10	1	pin
5	0.135.3527.3/20	1	sleeve
5.2	0.135.3550.0/10	12	pin
6	2.4019.225.1	1	spring 28 x 79 x 4.5
7	2.1560.014.0	1	gasket 18.2 x 24 x 1.5
8	2.1599.427.0/10	2	snooulder 42x64x0.3
9	0.009.6540.0/20	1	support dx/rh/re
10	2.1580.319.0	5	shim 86x98x0.5
11	2.1580.320.0	4	shim 86x98x0.2
12	2.1580.321.0	2	shim 86x98x0.15
13	2.2520.012.0	2	roller bearing 55 x 100 x 22.75
14	0.011.7732.0/10	1	differential carrier
15	2.1011.106.2	2	nut m 10 p.1.5
16	2.1480.015.1	14	washer 10
18	2.0129.028.2	12	screw m 12 p.1.25x30
19	0.009.6541.0/20	1	flange sx/lh/li
20	2.0312.314.2	12	screw m 10 p.1.5 x 40
21	2.1589.167.0	1	snooulder 105 x 112 x 0.15
22	2.1589.168.0	1	snooulder 105 x 112 x 0.1
23	2.1589.169.0	1	snooulder 105 x 112 x 0.5
24	2.2999.196.0	1	bearing
25	2.1499.061.1	0	circlip 120x3.4
26	2.1499.062.1	0	circlip 120x3.5
27	2.1499.063.1	0	circlip 120x3.6
28	2.1499.064.1	0	circlip 120x3.7
29	2.1499.065.1	0	circlip 120x3.8
30	2.1499.066.1	0	circlip 120x3.9
31	2.1499.067.1	0	circlip 120x4
32	2.1499.068.1	0	circlip 120x4.1
34	2.4019.339.1	1	spring 32x56.5x3.5
35	2.1631.415.2	1	pin 5x32
36	0.190.6858.0	1	stop
37	0.445.3541.0/20	1	fork
38	2.3110.405.1	1	plug m 18 p.1.5 x 15
39	2.1549.146.0	1	spacer 16.5X36X12
40	0.010.0613.0	2	pin



Section: REAR AXLE

REAR AXLE - WITH STANDARD SEALS

Fig.	Code	QTY	Name
1	0.445.4410.0/30	2	wheel support
2	0.255.4450.0	2	cup
3	2.1569.104.0	2	'o' ring 80 x 118.2 x 12
4	0.445.4450.0	2	cup
7	2.0112.325.2	5	screw m 10 p.1.5 x 80
8	2.0112.327.2	1	screw m 10 p.1.5 x 90
12	2.1470.006.2	6	lock washer 10



9_40544_10_0_0

Section: REAR AXLE

BRAKE PIPES - WITH BREAKING FOR TRAILER

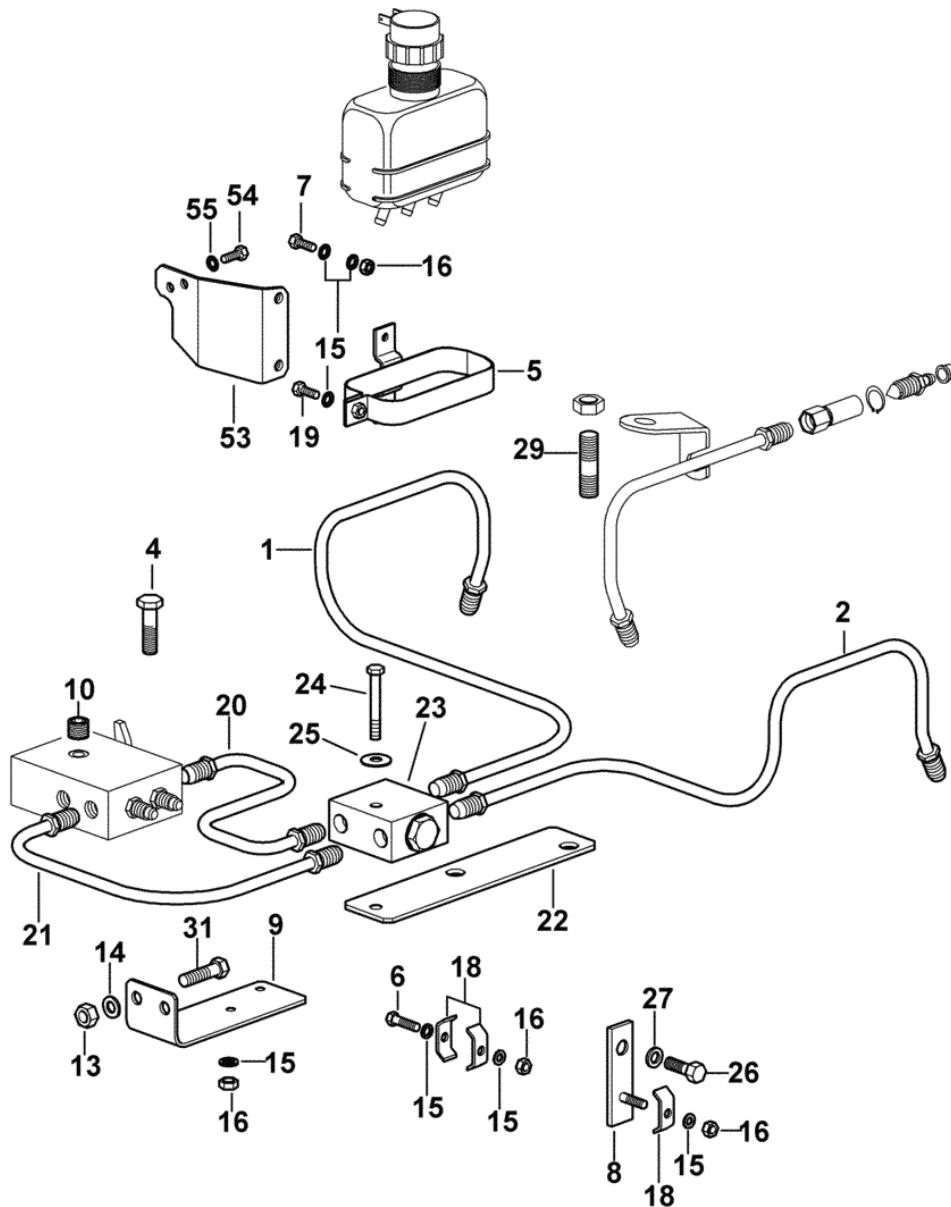


Fig.	Code	QTY	Name
1	0.014.0425.3	1	tube
2	0.014.0424.3	1	tube
4	2.0112.019.2	2	screw m 6 p.1 x 50
5	0.270.6656.2	1	clamp
6	2.0112.207.2	1	screw m 8 p 1.25 x 20
7	2.0112.005.2	2	screw m 6 p.1 x 16
8	0.226.6658.2	1	small plate
9	0.011.0405.0	1	square
10	2.3130.001.1	1	plug 1/8" gas
13	2.1011.105.2	2	nut m 8 p.1.25
14	2.1470.004.2	2	washer 8
15	2.1470.002.2	9	washer 6, d128
16	2.1011.103.2	4	nut m 6 p.1
18	0.002.8816.0	3	small plate
19	2.0112.007.2	1	screw m 6 p.1 x 20
20	0.014.0419.3	1	tube
21	0.014.0421.3	1	tube
22	0.014.0433.0/10	1	bracket
23	0.007.6244.4/10	1	valve
24	2.0112.017.2	1	screw m 6 p.1x45
25	2.1312.003.2	1	washer 6
26	2.0112.307.2	1	screw m 10 p.1.5 x 20
27	2.1470.006.2	1	lock washer 10
29	2.0432.265.7	1	stud bolt m 12 p.1.75-1.25x50
31	2.0112.209.2	2	screw m 8 p 1.25 x 25
53	0.013.7477.3/10	1	bracket
54	2.0112.005.2	2	screw m 6 p.1 x 16
55	2.1470.002.2	2	washer 6, d128

9_B9866_10_0_0

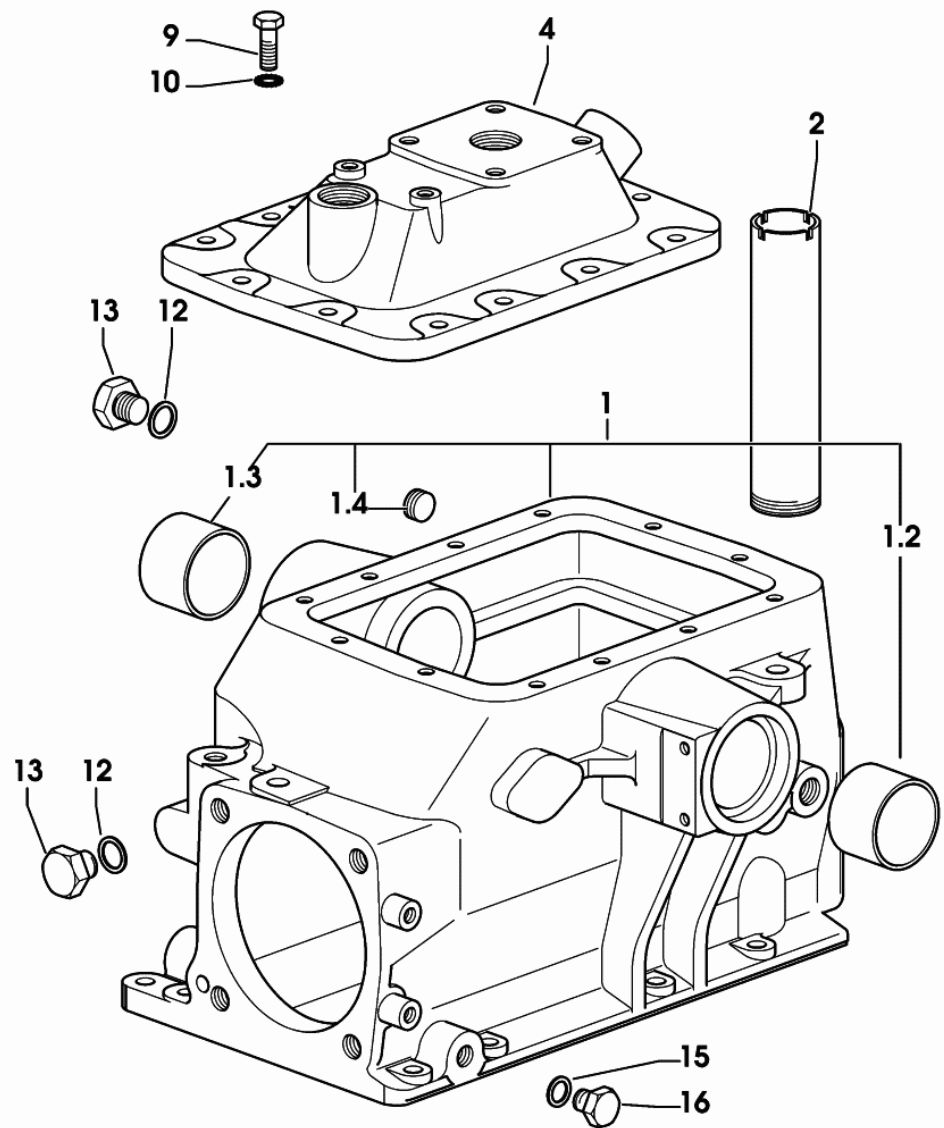
9_77959_02_0_0

POWER-LIFT CASE WITH ELECTRONIC CONTROL

Fig.	Code	QTY	Name
------	------	-----	------

Notes:

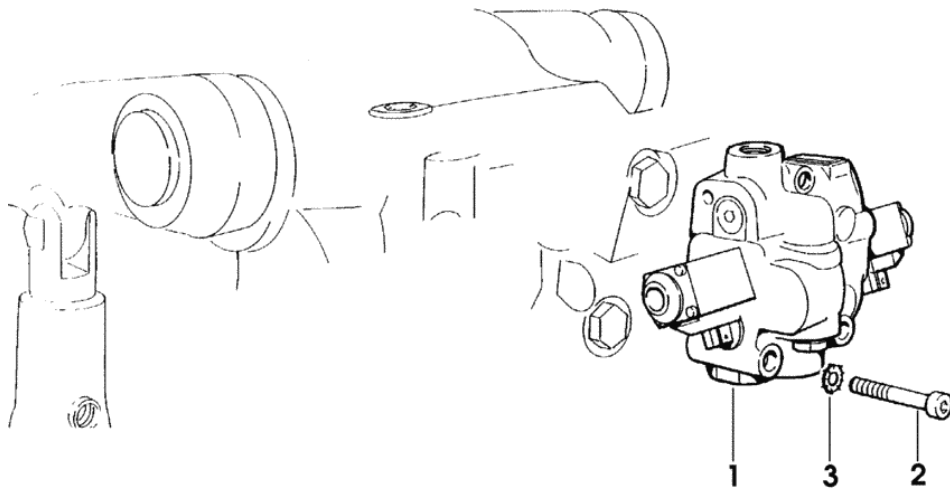
- FOR TYPES WITH BOSCH AUXILIARY SERVICE CONTROL VALVE. 1013 <- X EXPLORER 75 1166 <- X EXPLORER 85 1629 <- X EXPLORER 95



1	0.009.3244.3/30	1	hydraulics housing
1.2	2.1555.621.0	2	bushing 60x65x40
1.3	2.1555.620.0	2	bushing 55x60x40
1.4	2.3131.004.2	1	plug m 18 p.1.5
2	0.9131.150.0	1	tube
4	0.012.0280.0/10	1	cover
9	2.0112.311.2	10	screw m 10 p.1.5 x 30
10	2.1470.006.2	10	lock washer 10
12	2.1560.014.0	2	gasket 18.2 x 24 x 1.5
13	2.3110.405.1	2	plug m 18 p.1.5 x 15
15	2.1560.010.0	1	gasket 14.2 x 20 x 1.5
16	2.3110.403.1	1	plug m 14 p.1.5

REGULATING DISTRIBUTOR WITH ELECTRONIC CONTROL

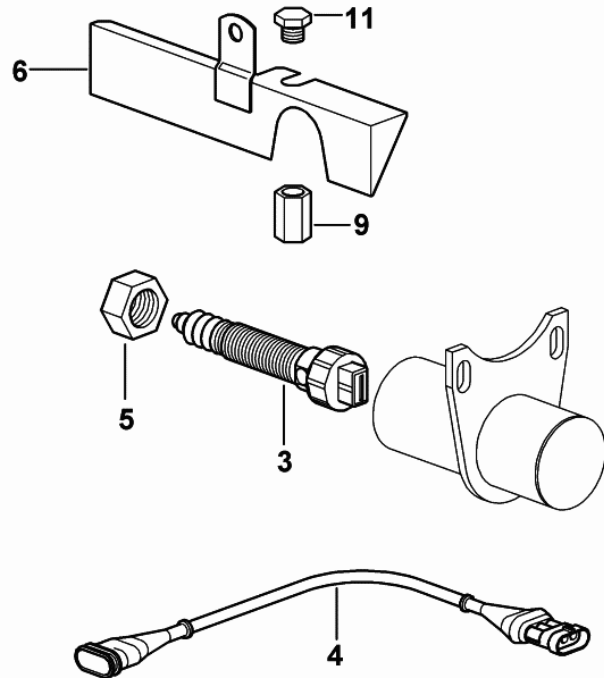
Fig.	Code	QTY	Name
1	0.009.2180.4/20	1	distributor COMPONENT PARTS SEE COMPONENTS LIST ☞ 0.009.2180.4/20 ☞ 0D.00.119
2	2.0312.221.2	3	screw m 8 p.1.25x75
3	2.1470.004.2	3	washer 8



9_61559_31_0_0

Section: S.A.C.
DRAFT SENSOR

Fig.	Code	QTY	Name
3	0.009.2194.4/10	1	sensor
4	0.009.3937.3/10	1	wire
5	2.1019.106.1	1	nut m 24 p.1.5 x 10
6	0.009.3854.2/10	1	guard
9	2.1099.059.2	1	special nut m 12 p.1.25x27
11	2.3110.422.1	1	plug m 12 p.1.25 x 10



9_77884_68_0_0

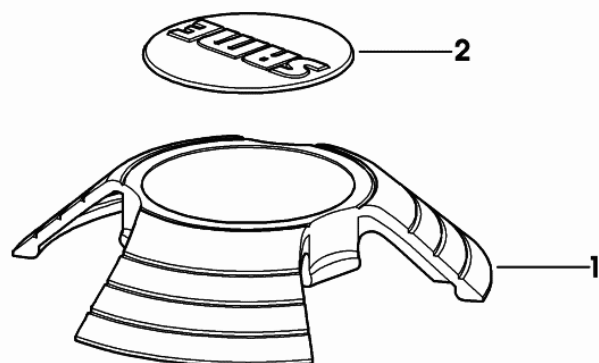
STEERING WHEEL CAP

Fig.	Code	QTY	Name
------	------	-----	------

Notes:

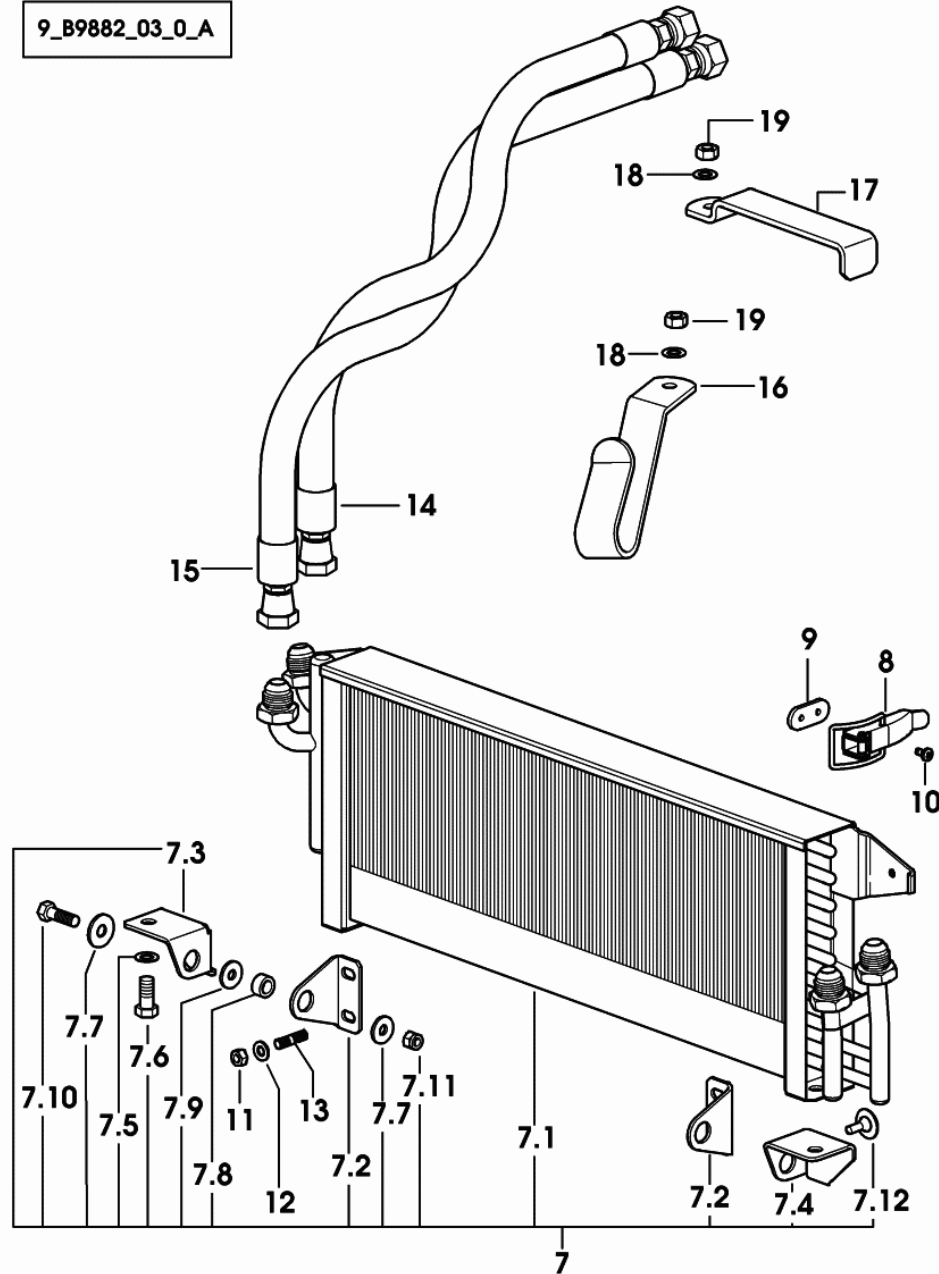
-> 1014 X EXPLORER 75 -> 1167 X EXPLORER 85 -> 1630 X EXPLORER 95

1	0.014.5238.0	1	plug
2	0.014.4292.0	1	plate SAME



9_C1261_00_0_0

9_B9882_03_0_A



EXPLORER 75 (New)

Section: POWER STEERING - HYDRAULIC SYSTEM

Ref.: 06.00.14

GEARBOX OIL COOLER - FOR TYPES WITHOUT HYDRAULIC SHUTTLE

Fig.	Code	QTY	Name
7	0.013.7538.4	1	oil cooler
7.1	0.008.9751.2/30	1	oil cooler
7.2	0.008.9598.0	2	bracket
7.3	0.013.7379.0	1	hinge
7.4	0.013.7378.0	1	hinge
7.5	2.1470.004.2	2	washer 8
7.6	2.0112.204.2	2	screw m 8 p.1.25x14
7.7	2.1312.003.2	4	washer 6
7.8	2.1579.994.2	2	spacer 8.5x14x7
7.9	2.1549.169.0	2	spacer 14.5x22x2
7.10	2.0112.007.2	2	screw m 6 p.1 x 20
7.11	2.1120.003.2	2	nut m 6
7.12	0.467.7693.0	2	block
8	0.008.9632.0	2	clevis
9	0.008.9726.0	2	small plate
10	2.0332.202.2	4	screw m 4 x 8
11	2.1011.103.2	5	nut m 6 p.1
12	2.1310.002.2	4	washer 6.6, d125
13	2.0422.001.2	4	stud bolt m 6 p.1.0 x 16
14	0.013.7393.3	1	tube
15	0.013.7353.3	1	tube
16	0.013.7456.0	1	bracket
17	0.013.7453.0	1	bracket
18	2.1470.004.2	4	washer 8
19	2.1011.105.2	2	nut m 8 p.1.25

CLICK HERE TO **DOWNLOAD** THE COMPLETE MANUAL

- Thank you very much for reading the preview of the manual.
- You can download the complete manual from: www.heydownloads.com by clicking the link below



- Please note: If there is no response to CLICKING the link, please download this PDF first and then click on it.

CLICK HERE TO **DOWNLOAD** THE COMPLETE MANUAL