

DORADO 66

V0 - BALLAST, TOWING HITCHES

FRONT HITCHES

FRONT TOWING HITCH.....	V0.01.0 (1)
FRONT TOWING HITCH.....	V0.01.1 (1)

REAR HITCHES

SEPARATOR.....	V0.02.0 (1)
SPACER FOR TYPES WITH P.T.O. - 540/N - WITH INSERTED END SHAFTS.....	V0.02.1 (1)
SPACERS FOR P.T.O. - 540 - 750 - WITH INSERTED END SHAFTS.....	V0.02.3 (1)
SPACER FOR TYPES WITH 2-SPEED P.T.O. WITH INSERTED END SHAFTS 540-750.....	V0.02.4 (1)
SPACERS FOR PTO - 540 - 1000 - WITH INSERTED END SHAFTS.....	V0.02.5 (1)
SPACERS FOR P.T.O. - 540 - 750 - WITH INSERTED END SHAFTS + SYNCRO.....	V0.02.6 (1)
SEPARATOR - PTO - 3-SPEED WITH INSERTED END SHAFT.....	V0.02.7 (1)
SPACER FOR TYPES WITH PTO WITH INTERCHANGEABLE OUTPUT SHAFTS - 2 -SPEED + GROUNDSP. AND 3- SPEED.....	V0.02.8 (1)
SUPPORTS.....	V0.02.10 (1)
SUPPORTS.....	V0.02.11 (1)
PIN FOR REAR TOW HOOK.....	V0.02.12 (1)
REAR TOWING HITCH.....	V0.02.13 (1)
REAR TOWING HITCH - EXPORT CH.....	V0.02.16 (1)
REAR TOWING HITCH - EXPORT CH.....	V0.02.16 (2)
REAR TOWING HITCH.....	V0.02.17 (1)
REAR TOWING HITCH BRACKET.....	V0.02.18 (1)
REAR TOWING HITCH BRACKET.....	V0.02.19 (1)
REAR TOWING HITCH BRACKET.....	V0.02.19 (2)
REAR TOWING HITCH BRACKET.....	V0.02.20 (1)
FRAME HOOK HOLDER - FOR TYPES WITH PITON-FIX.....	V0.02.21 (1)
FRAME HOOK HOLDER - FOR TYPES WITH PITON-FIX.....	V0.02.21 (2)
FRAME HOOK HOLDER - FOR TYPES WITH PITON-FIX.....	V0.02.21 (3)
FRAME HOOK HOLDER - FOR TYPES WITH PITON-FIX.....	V0.02.22 (1)
REAR TOWING HITCH CAT. " C ".....	V0.02.23 (1)
REAR TOWING HITCH CAT. " C ".....	V0.02.23 (2)
REAR TOWING HITCH.....	V0.02.24 (1)
REAR TOWING HITCH CEE.....	V0.02.24 (2)
REAR TOWING HITCH CAT. " D ".....	V0.02.25 (1)
REAR TOWING HITCH CAT. " D ".....	V0.02.25 (2)
REAR TOWING HITCH CAT. " D2 ".....	V0.02.26 (1)
REAR TOWING HITCH CAT. " D2 ".....	V0.02.26 (2)
REAR TOWING HITCH CAT. " D2 ".....	V0.02.27 (1)
AUTOMATIC REAR TOWING HITCH CEE Ø 31.....	V0.02.28 (1)
REAR TOWING HITCH.....	V0.02.29 (1)
DRAWBAR COUPLING AUTOM. Ø 38.....	V0.02.29 (2)
REAR TOWING HITCH CEE.....	V0.02.30 (1)
REAR TOWING HITCH CEE.....	V0.02.31 (1)

CLICK HERE TO **DOWNLOAD** THE COMPLETE MANUAL

- Thank you very much for reading the preview of the manual.
- You can download the complete manual from: www.heydownloads.com by clicking the link below



- Please note: If there is no response to CLICKING the link, please download this PDF first and then click on it.

CLICK HERE TO **DOWNLOAD** THE COMPLETE MANUAL

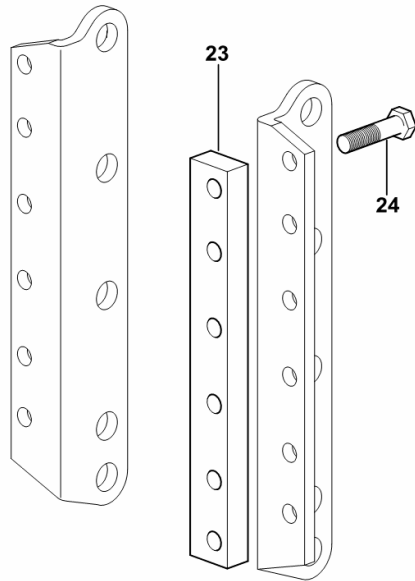
SEPARATOR - PTO - 3-SPEED WITH INSERTED END SHAFT

Fig.	Code	QTY	Name
------	------	-----	------

Notes:

[DORADO 66 4WD] 1260 <-

23	0.011.3480.0	2	spacer 45 x 365 x 25
24	2.0112.623.2	12	screw m 16 p.2 x 70



9_B6136_06_0-B-001

Section: V0 - BALLAST, TOWING HITCHES
REAR TOWING HITCH BRACKET

Fig.	Code	QTY	Name
------	------	-----	------

Notes:

[DORADO 66 2WD] [DORADO 66 4WD] 1362 <-

1	0.014.4483.3/30	1	chassis frame - V.ORLANDI - ☞ 0.014.4483.3/30
2	0.014.4485.3	1	plate - V.ORLANDI - ☞ 0.014.4485.3
3	2.0314.614.2	12	screw m 16 p.2 x 40
4	2.1475.006.2	12	washer 16

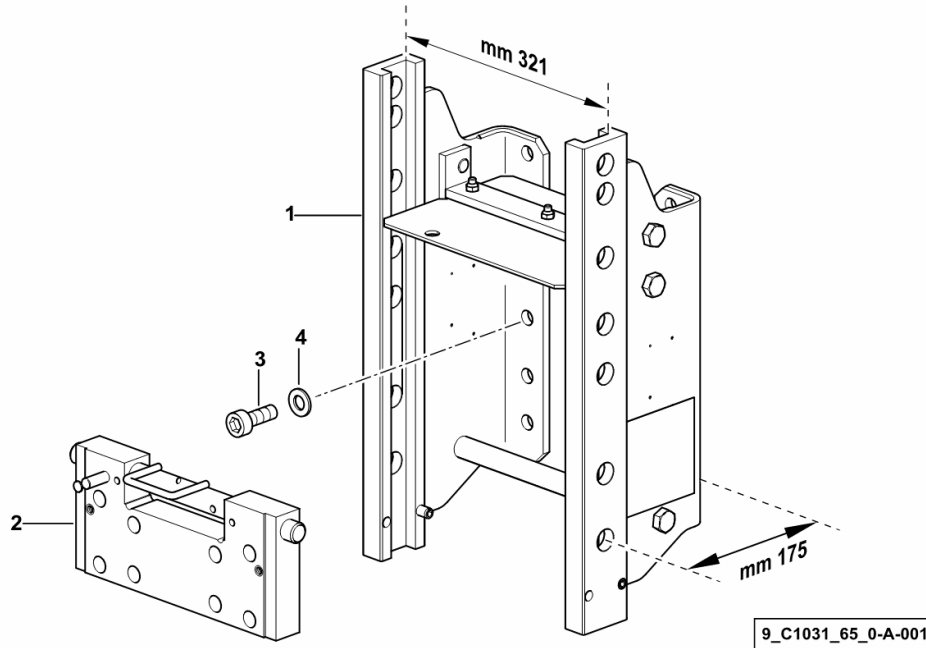
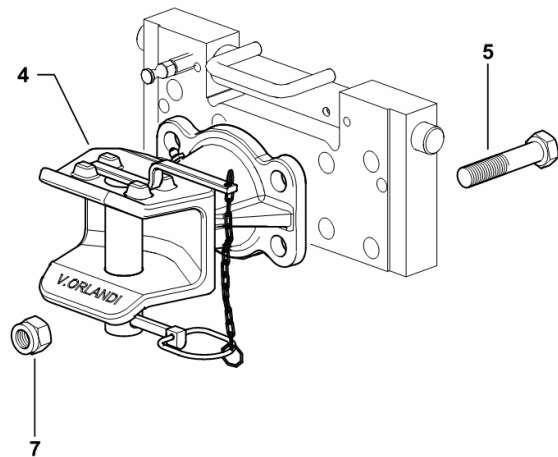


Fig.	Code	QTY	Name
------	------	-----	------

Notes:

[DORADO 66 2WD] -> 1207 [DORADO 66 4WD] -> 1207

4	0.014.4453.3/10	1	tow hook - V.ORLANDI - ☞ 0.014.4453.3/10
5	2.0112.727.2	4	screw m 18 p.2.5 x 90
7	2.1129.014.2	4	nut m 18 p.2.5



9_21631_65_0-A-002

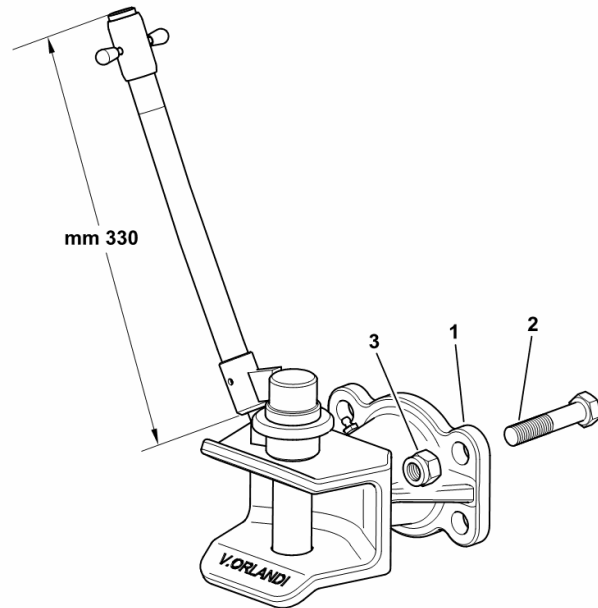
REAR TOWING HITCH CEE

Fig.	Code	QTY	Name
------	------	-----	------

Notes:

[DORADO 66 4WD]

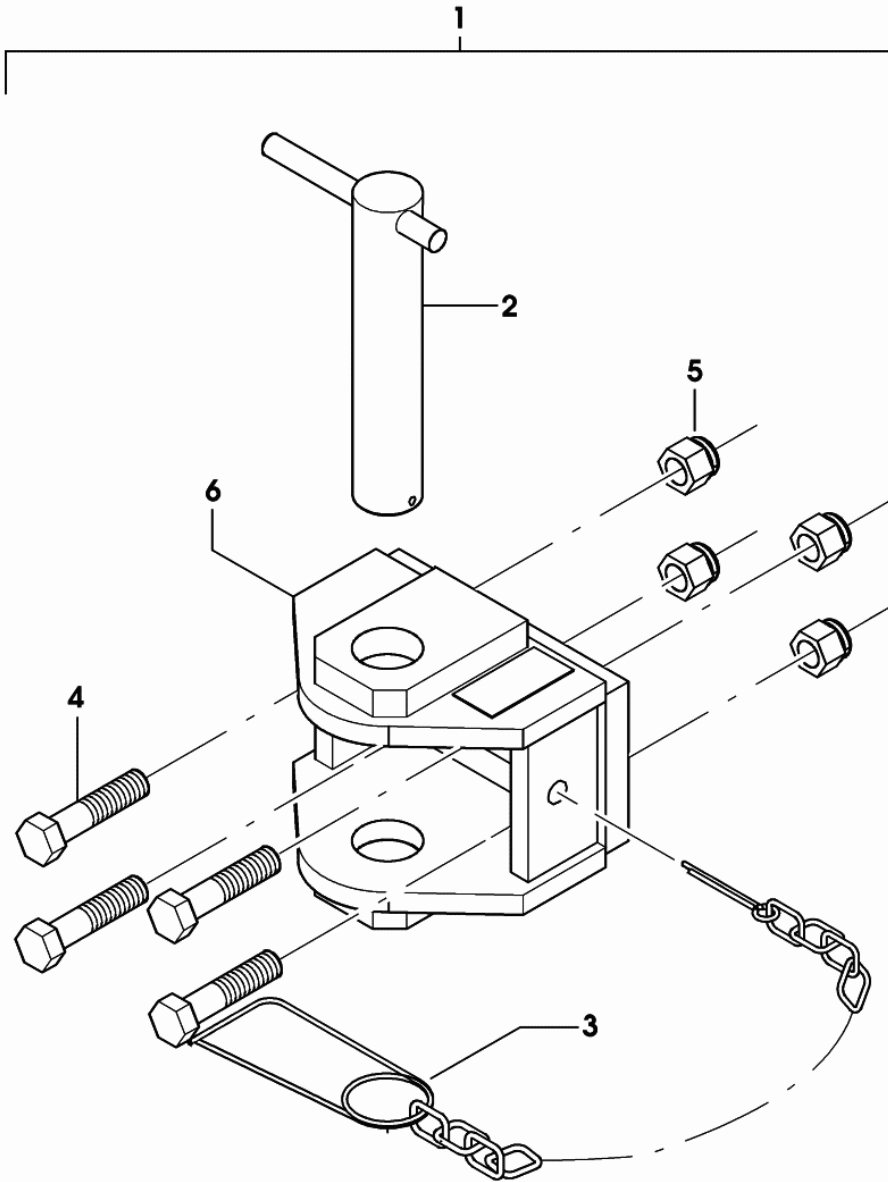
1	0.014.8209.3	1	tow hook V.ORLANDI - CEE
2	2.0112.727.2	4	screw m 18 p.2.5 x 90
3	2.1129.014.2	4	nut m 18 p.2.5



9_D6131_65_0-A-001

REAR TOWING HITCH CAT: "D" GRASSI

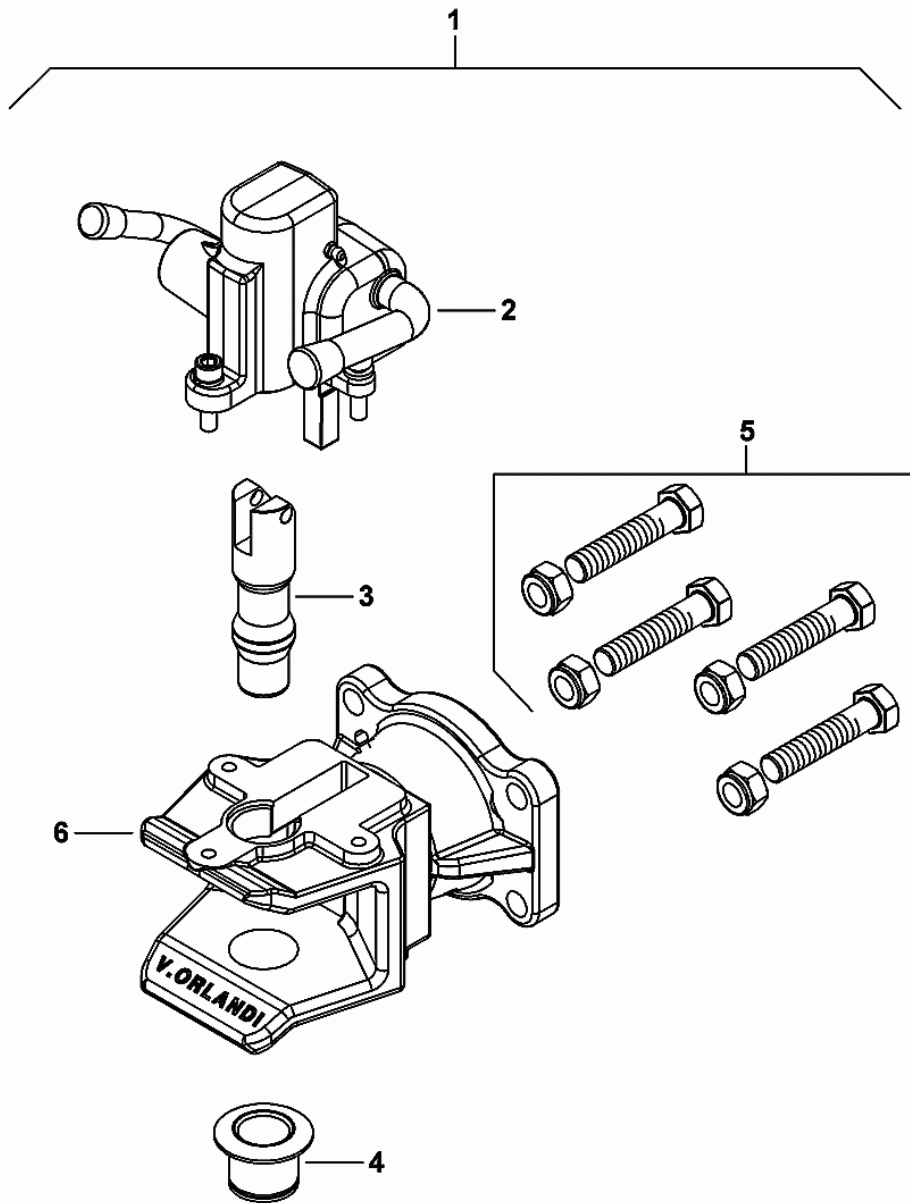
Fig.	Code	QTY	Name
1	0.011.3193.4/10	1	tow hook GRASSI CAT. " D "
2	0.010.2986.0	1	pin
3	0.010.2985.1	1	piston pin
4	0.010.2842.0	4	screw m 18x80
5	0.010.2842.1	4	nut m 18
6	0.010.2986.1	1	clevis



011_3193_4_10

DRAWBAR COUPLING

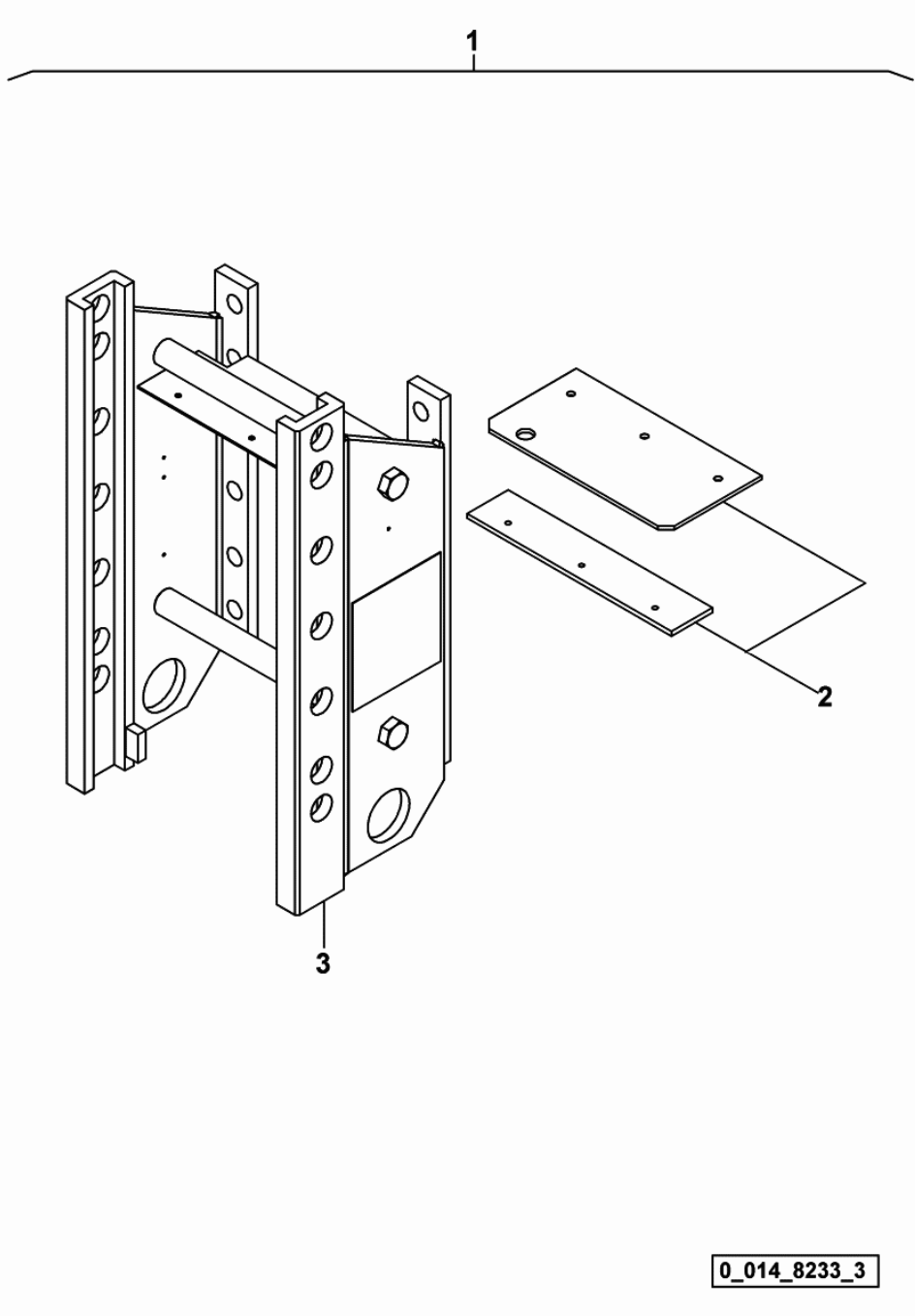
Fig.	Code	QTY	Name
1	0.014.4454.3/20	1	automatic hook V.ORLANDI - CEE Ø 38
2	0.900.0307.3	1	accessories
3	0.900.0307.4	1	pin mm 38
4	0.900.0307.5	1	sleeve
5	0.900.0306.5	1	screw m 18
6	0.000.0000.1	0	not serviceable



0_014_4454_3_20

CHASSIS

Fig.	Code	QTY	Name
1	0.014.8233.3	1	chassis frame V.ORLANDI CAT. " D2 "
2	0.900.0784.7	1	shield
3	0.000.0000.1	0	not serviceable



0_014_8233_3

FLOOR HOLE REDUCTION PLATE W/ ELECTRONIC REAR LIFT.....	G0.03.6 (1)
GEAR LEVERS BASE.....	G0.03.7 (1)
SPREADER PLATES.....	G0.03.8 (1)
LADDER - DX/RH/RE.....	G0.03.10 (1)
LADDER - SX/LH/LI.....	G0.03.11 (1)
SILENTBLOCK AND SUPPORTS.....	G0.03.12 (1)
FENDERS - FOOTSTEPS - EXTENSIONS	
2WD - FRONT MUDGUARDS mm 240.....	G0.04.0 (1)
4WD - FRONT MUDGUARDS mm 265.....	G0.04.2 (1)
4WD - FRONT MUDGUARDS mm 310.....	G0.04.3 (1)
4WD - FRONT MUDGUARDS mm 310.....	G0.04.4 (1)
4WD - FRONT MUDGUARDS mm 355.....	G0.04.5 (1)
4WD - SELF-ADJUSTING FRONT FENDERS mm 310.....	G0.04.6 (1)
4WD - SELF-ADJUSTING FRONT FENDERS mm 355.....	G0.04.7 (1)
MUDGUARDS EXTENSIONS mm 108.....	G0.04.8 (1)
MUDGUARDS EXTENSIONS mm 200.....	G0.04.10 (1)
FENDERS SX/LH/LI - DX/RH/RE.....	G0.04.12 (1)
FENDERS SX/LH/LI - DX/RH/RE.....	G0.04.13 (1)
FENDERS SX/LH/LI - DX/RH/RE.....	G0.04.13 (2)
SPRAY GUARD BLANKING PLUG FOR TYPES WITH CAB.....	G0.04.15 (1)
LICENSE PLATE HOLDER SUPPORT.....	G0.04.16 (1)
BRACKET - SPEED LABEL.....	G0.04.17 (1)
DOORS - WINDOWS - WIPERS	
WINDSCREEN.....	G0.05.0 (1)
GLASSES AND SEALS.....	G0.05.1 (1)
GLASSES AND SEALS.....	G0.05.1 (2)
GLASSES AND SEALS.....	G0.05.1 (3)
GLASSES AND SEALS.....	G0.05.2 (1)
GLASSES AND SEALS.....	G0.05.2 (2)
GLASSES AND SEALS SX/LH/LI - DX/RH/RE.....	G0.05.3 (1)
GLASSES AND SEALS SX/LH/LI - DX/RH/RE.....	G0.05.4 (1)
DOOR HANDLE SX/LH/LI - DX/RH/RE.....	G0.05.5 (1)
WINDOW FIXING PLATE.....	G0.05.9 (1)
WINDOW FIXING PLATE.....	G0.05.10 (1)
WINDOW FIXING PLATE.....	G0.05.11 (1)
REAR WINDOW.....	G0.05.14 (1)
REAR WINDOW.....	G0.05.15 (1)
DAMPER FOR REAR WINDOW HATCH.....	G0.05.16 (1)
DAMPER FOR REAR WINDOW HATCH.....	G0.05.17 (1)
PARTS SET WITHOUT REAR WIPER.....	G0.05.18 (1)
FRONT AND REAR WINDSCREEN WIPER SYSTEM.....	G0.05.19 (1)
FRONT AND REAR WINDSCREEN WIPER SYSTEM.....	G0.05.20 (1)
SCREEN WIPER FRONT / REAR.....	G0.05.21 (2)
FRONT AND REAR WINDSCREEN WIPER SYSTEM.....	G0.05.22 (1)

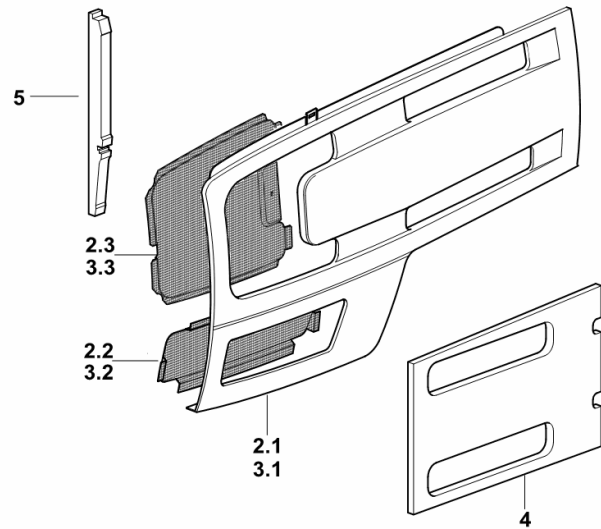
Section: G0 - BODYWORK - CAB
BONNET - RIGHT AND LEFT SIDE

Fig.	Code	QTY	Name
------	------	-----	------

Notes:

[DORADO 66 2WD] 1029 <- [DORADO 66 4WD] 1029 <-

2.1	0.009.7927.7/10	1	lift hand side panel sx/lh/li
2.2	0.010.7285.0/10	1	grille sx/lh/li
2.3	0.013.7451.0/10	1	grille sx/lh/li
3.1	0.009.7928.7/10	1	right h.side panel dx/rh/re
3.2	0.010.7284.0/10	1	grille dx/rh/re
3.3	0.013.7452.0/10	1	grille dx/rh/re
4	0.007.7933.0	1	panel
5	0.010.0684.0	2	gasket



9_C1172_01_0-A-001

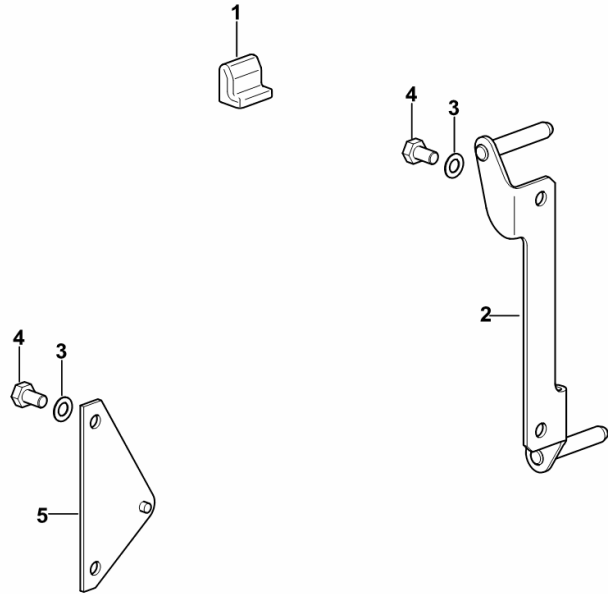
HOOD - LEFT SIDE PANEL HOLDER

Fig.	Code	QTY	Name
------	------	-----	------

Notes:

[DORADO 66 2WD] -> 1218 [DORADO 66 4WD] -> 1218

1	0.009.7992.0	1	block
2	0.014.3769.2/10	1	plate sx/lh/li
3	2.1470.004.2	4	washer 8
4	2.0112.204.2	4	screw m 8 p.1.25x14
5	0.009.6798.2/20	1	bracket sx/lh/li



9_F4772_06_0-A-001

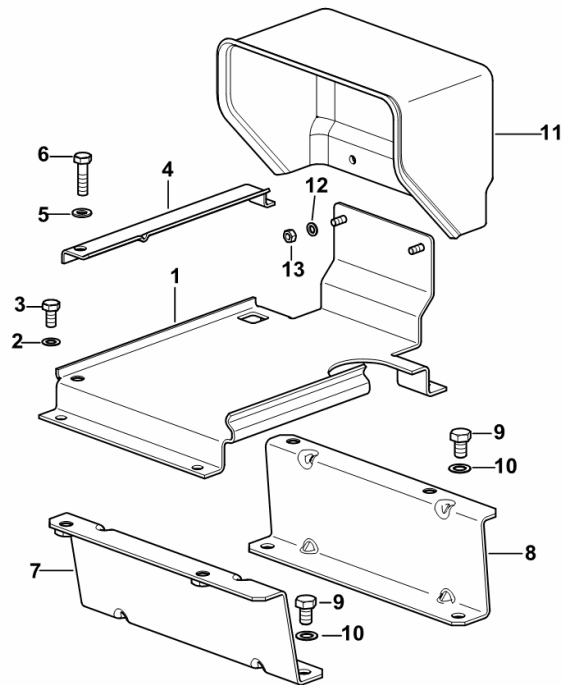
BATTERY SUPPORT

Fig.	Code	QTY	Name
------	------	-----	------

Notes:

- FOR MODELS WITHOUT FRONT P.T.O. [DORADO 66 2WD] -> 1058 - 1209 <-

1	0.014.0174.3	1	battery support
2	2.1470.004.2	4	washer 8
3	2.0112.205.2	4	screw m 8 p.1.25 x 16
4	0.013.9470.0/10	1	bracket
5	2.1310.004.2	1	flat washer 8.5
6	2.0112.211.2	1	screw m 8 p.1.25 x 30
7	0.014.0998.3	1	bracket
8	0.014.0997.3	1	bracket
9	2.0112.305.2	4	screw m 10 p.1.5 x 16
10	2.1470.006.2	4	lock washer 10
11	0.014.0172.0	1	cover
12	2.1470.002.2	2	washer 6, d128
13	2.1011.103.2	2	nut m 6 p.1



9_C1273_06_0-A-001

DORADO 66

Section: G0 - BODYWORK - CAB

Ref.: G0.02.11 (2)

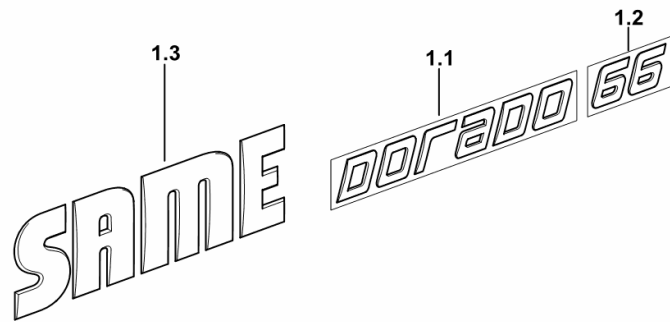
HOOD SIDE PRODUCT IDENTIFICATION PLATE - DX/RH/RE

Fig.	Code	QTY	Name
------	------	-----	------

Notes:

[DORADO 66 2WD] -> 1179 [DORADO 66 4WD] -> 1179 - 1298 <-

1.1	0.014.4326.0	1	plate DORADO
1.2	0.014.5029.0	1	plate 66
1.3	0.014.4298.2	1	plate SAME



9_C1172_05_0-A-002

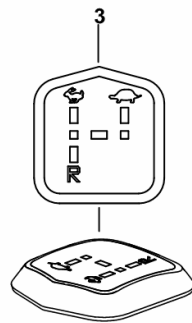
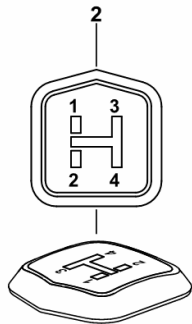
CAP FOR SHUTTLE AND 4-SPEED GEARBOX

Fig.	Code	QTY	Name
------	------	-----	------

Notes:

[DORADO 66 2WD] [DORADO 66 4WD]

2	0.013.3876.0/10	1	cap
3	0.014.0652.0	1	cap



9_C1264_08_0-B-001

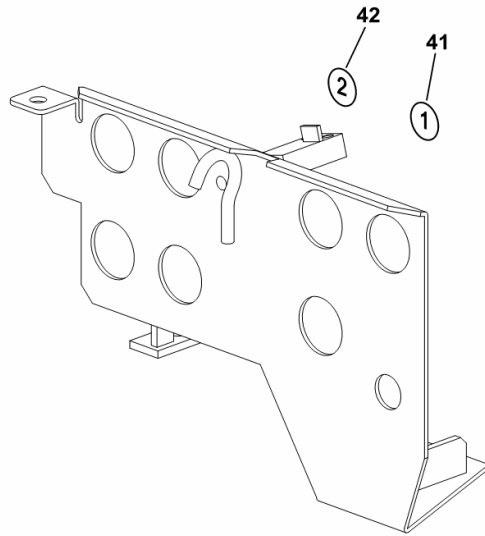
DECALS WITH 4 WAY AUXILIARY CONTROL VALVE

Fig.	Code	QTY	Name
------	------	-----	------

Notes:

- FOR TYPES WITH MECHANICAL REAR LIFT [DORADO 66 2WD] - FOR TYPES WITH MECHANICAL REAR LIFT [DORADO 66 4WD]

41	2.9929.412.0	1	plate 1
42	2.9929.413.0	1	plate 2



9_18488_15_0-D-001

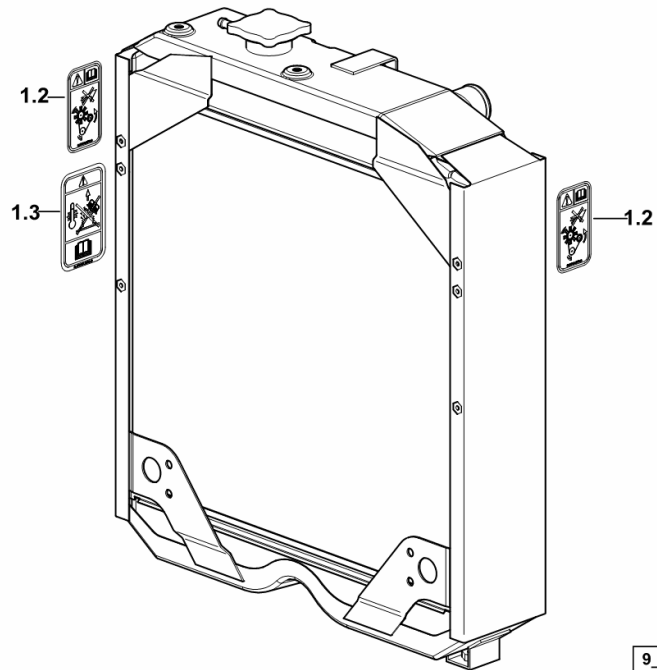
WARNING SIGNS ON WATER RADIATOR

Fig.	Code	QTY	Name
------	------	-----	------

Notes:

[DORADO 66 2WD] [DORADO 66 4WD]

1.2	2.9939.273.0	2	plate
1.3	2.9939.280.0	1	plate



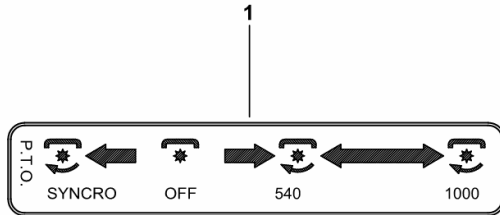
9_C1183_00_0-C-001

PTO DATA PLATE 540 - 1000 + SYNCRO

Fig.	Code	QTY	Name
------	------	-----	------

Notes:
[DORADO 66 4WD]

1	2.9929.834.0/10	1	plate 540 - 1000 + SYNCRO
---	-----------------	---	---------------------------



9_C1236_01_0-A-001

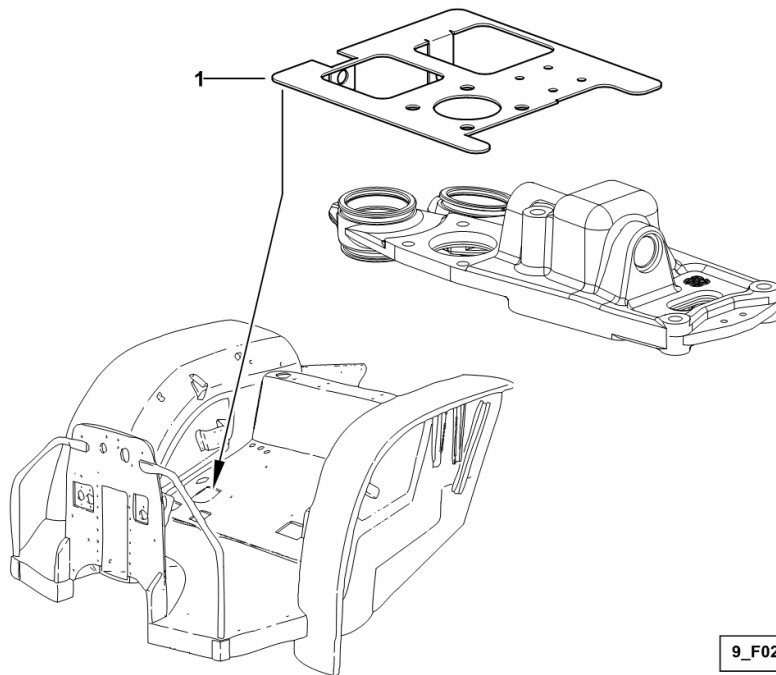
GEAR LEVERS BASE

Fig.	Code	QTY	Name
------	------	-----	------

Notes:

- FOR MODELS WITH PLATFORM [DORADO 66 4WD] -> 1306

1	0.014.4940.0	1	plate
---	--------------	---	-------



4WD - SELF-ADJUSTING FRONT FENDERS mm 310

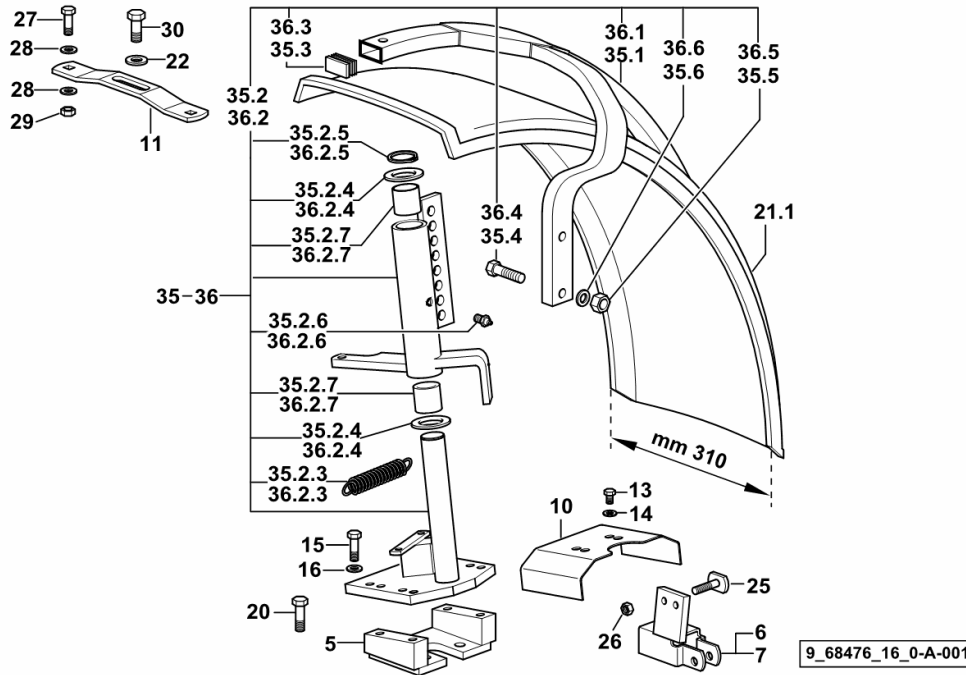


Fig.	Code	QTY	Name
Notes:			
[DORADO 66 4WD]			
5	0.010.6519.2/20	2	plate
6	0.010.6522.2	1	bracket dx/rh/re
7	0.010.6523.2	1	bracket sx/lh/li
10	0.010.6526.0/10	2	cover
11	0.010.9845.0/10	6	plate
13	2.0112.203.2	4	screw m 8 p.1.25 x 12
14	2.1312.004.2	4	washer 8.4
15	2.0112.311.2	8	screw m 10 p.1.5 x 30
16	2.1475.003.7	8	washer 10.5
20	2.0112.415.2	6	screw m 12 p.1.75 x 40
21.1	0.163.7632.5/10	2	fender mm 310
22	2.1599.082.0	6	washer 11 x 35 x 3
25	0.010.7173.2/10	2	screw
26	2.1011.106.2	2	nut m 10 p.1.5
27	2.0020.205.2	12	screw m 8 p.1.25 x 20
28	2.1599.584.2	12	snoulder 9 x 30 x 2
29	2.1011.105.2	12	nut m 8 p.1.25
30	2.0112.307.2	6	screw m 10 p.1.5 x 20
35	0.011.0214.4/20	1	support dx/rh/re
35.1	0.010.9788.2	1	chassis frame dx/rh/re
35.2	0.010.9847.4/20	1	support dx/rh/re
35.2.3	2.4049.201.2/30	1	spring
35.2.4	2.1549.409.2	2	washer
35.2.5	2.1410.012.1	1	circlip 30
35.2.6	2.3820.105.2	1	lubricator m 10 p.1 x 7
35.2.7	2.1559.409.0	2	bushing
35.3	0.010.9844.0	2	plug
35.4	2.0112.417.2	2	screw m 12 p.1.75 x 45
35.5	2.1011.107.2	2	nut m 12 p.1.75
35.6	2.1475.004.2	2	washer 12
36	0.011.0216.4/20	1	support sx/lh/li
36.1	0.010.9444.2	1	chassis frame sx/lh/li
36.2	0.010.9848.4/20	1	support sx/lh/li
36.2.3	2.4049.201.2/30	1	spring
36.2.4	2.1549.409.2	2	washer
36.2.5	2.1410.012.1	1	circlip 30
36.2.6	2.3820.105.2	1	lubricator m 10 p.1 x 7
36.2.7	2.1559.409.0	2	bushing
36.3	0.010.9844.0	2	plug
36.4	2.0112.417.2	2	screw m 12 p.1.75 x 45
36.5	2.1011.107.2	2	nut m 12 p.1.75

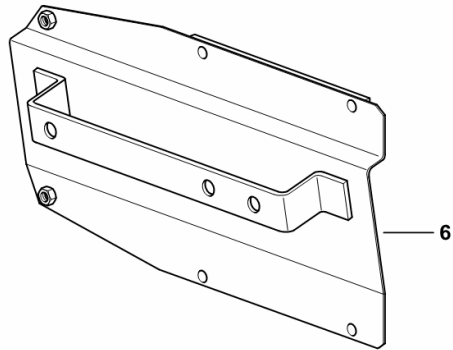
LICENSE PLATE HOLDER SUPPORT

Fig.	Code	QTY	Name
------	------	-----	------

Notes:

[DORADO 66 2WD] [DORADO 66 4WD]

6	0.008.3958.2	1	plate holder
---	--------------	---	--------------



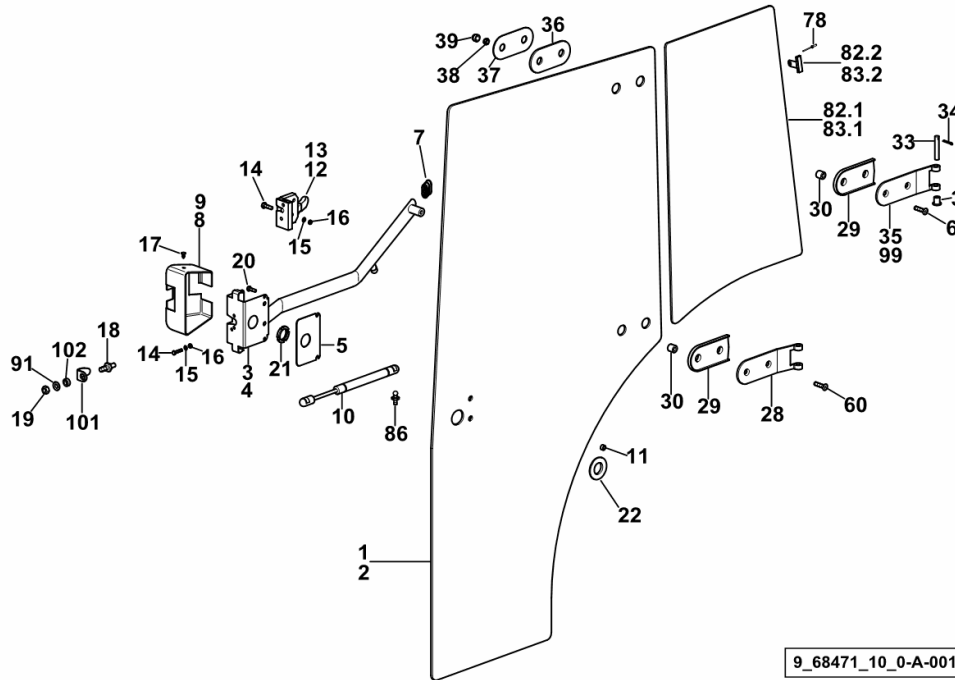
9_49085_31_0-A-001

GLASSES AND SEALS SX/LH/LI - DX/RH/RE

Fig.	Code	QTY	Name
------	------	-----	------

Notes:

- FOR MODELS WITH CAB - "HIGH VISIBILITY" [DORADO 66 2WD] - FOR MODELS WITH CAB - "HIGH VISIBILITY" [DORADO 66 4WD]



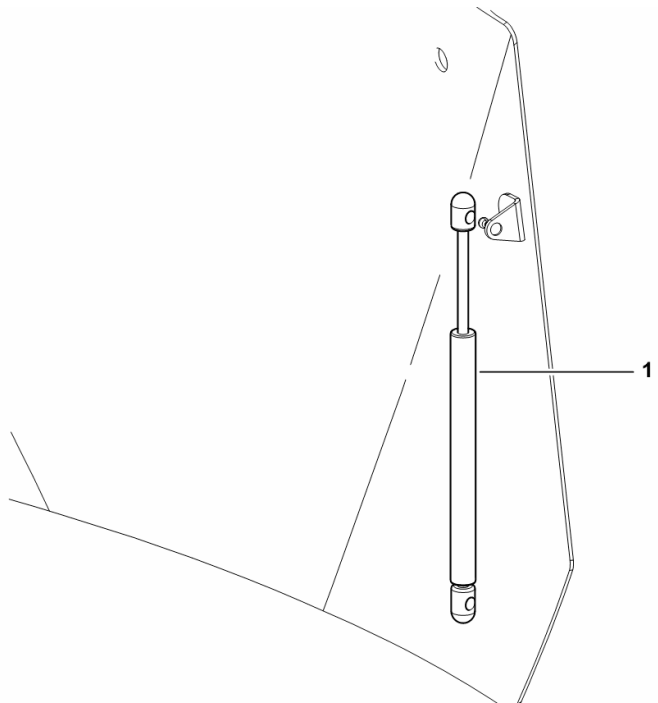
1	0.009.7700.0/50	1	glass sx/lh/li
2	0.009.7701.0/50	1	glass dx/rh/re
3	0.009.7746.3	1	handle sx/lh/li
4	0.009.7745.3	1	handle dx/rh/re
5	0.007.7615.0	2	gasket
7	0.008.3805.0	2	plug
8	0.007.7617.0/10	1	lining sx/lh/li
9	0.007.7618.0/10	1	lining dx/rh/re
10	0.008.2737.3	2	shock absorber
11	0.010.1253.0	4	rubber plug
12	0.009.9213.4	1	lock sx/lh/li
13	0.009.9212.4	1	lock dx/rh/re
14	2.0332.308.2	8	screw m 5 p.0.8 x 25
15	2.1310.001.2	8	flat washer 5.3
16	2.1011.102.2	8	nut m 5 p.0.7
17	2.1899.075.0	6	button 6.5x14.5
18	0.010.0617.0/10	2	contact surface
19	2.1011.406.2	2	nut m 10 p.1
20	2.0332.408.2	4	screw m 6 x 25
21	2.1219.049.0/10	2	ring nut m 30 p.1
22	0.007.5962.0	2	gasket
28	0.007.6179.3/20	2	hinge
29	0.007.5875.0/10	4	gasket
30	2.1549.093.2	8	spacer 9x17.5x16
31	2.1559.147.0	16	bushing 10 x 28 x 18
33	2.1699.325.2	4	pin
34	2.1630.210.9	4	pin 3 x 20
35	0.007.6181.3/30	1	hinge sx/lh/li - DX
36	0.007.5876.0	4	gasket
37	0.007.5878.0	4	plate
38	2.1120.105.2	14	selflock nut m 8 p.1.25
39	0.163.7856.0	14	cap
60	2.0349.003.3	12	screw m 8 p.1.25 x 35
78	2.1855.110.0	6	rivet 4.2
82.1	0.009.7703.0/20	1	window glass
82.2	0.009.7708.0	2	small spring
83.1	0.009.7703.0/20	1	window glass
83.2	0.009.7708.0	2	small spring
86	0.009.8760.0	6	ball joint

DAMPER FOR REAR WINDOW HATCH

Fig.	Code	QTY	Name
------	------	-----	------

Notes:
[DORADO 66 4WD]

1	0.009.8629.2	2	shoch.absorber mm 405.5
---	--------------	---	-------------------------



9_77871_11_0-A-001

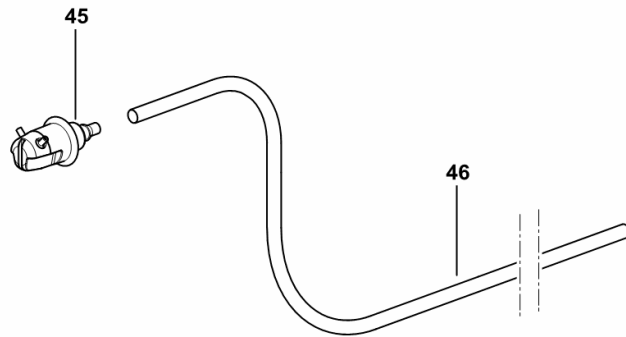
PISTON COOL.NOZZLE

Fig.	Code	QTY	Name
------	------	-----	------

Notes:

- FOR TRACTORS WITH AIR HEATING [DORADO 66 2WD] - FOR TRACTORS WITH AIR HEATING [DORADO 66 4WD] 1326 <-

45	0.013.9974.4	1	cooling nozze
46	0.007.7771.0	1	tube mm 4x6x2600



9_18471_60_0-H-001

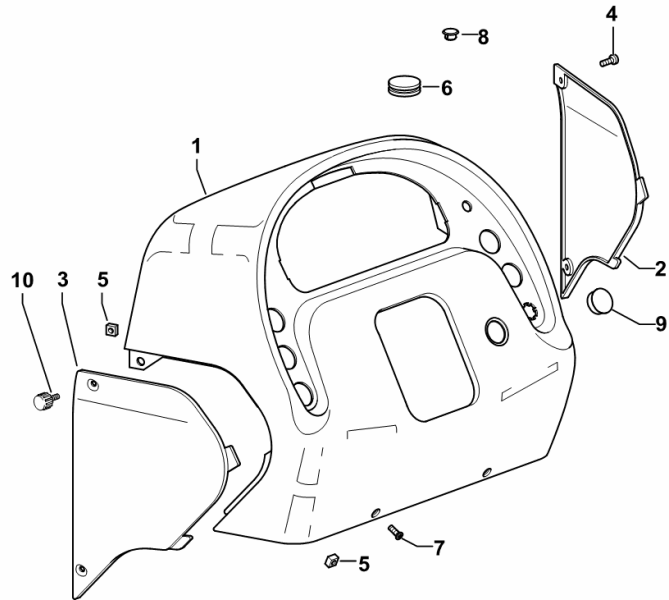
DASHBOARD

Fig.	Code	QTY	Name
------	------	-----	------

Notes:

- FOR MODELS WITH CAB [DORADO 66 2WD] - FOR MODELS WITH CAB [DORADO 66 4WD]

1	0.011.4381.0	1	dashboard
2	0.009.7788.0/20	1	right h.side panel dx/rh/re
3	0.009.7789.0/20	1	lift hand side panel sx/lh/li
4	2.0322.407.3	2	screw m 6 p.1 x 20
5	2.6999.024.2	4	special nut m 6
6	2.3199.115.0	4	plug 38x12
7	2.0332.406.3	2	screw m 6 p.1.0 x 16
8	2.3199.107.0	1	plug 14x12.5
9	0.011.6915.0	1	plug 27.8-28.6/30.9
10	0.009.8631.2	2	knob



9_77874_01_0-A-001

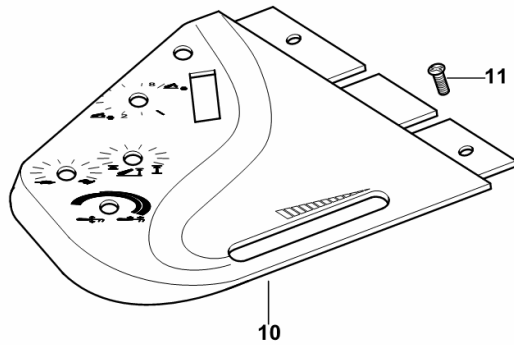
ELECTRONIC LIFT LEVER PANEL WITH GUIDE SLOTS

Fig.	Code	QTY	Name
------	------	-----	------

Notes:

[DORADO 66 4WD]

10	0.011.7098.0/10	1	front grille
11	2.0322.407.3	2	screw m 6 p.1 x 20



9_18359_55_0-A-001

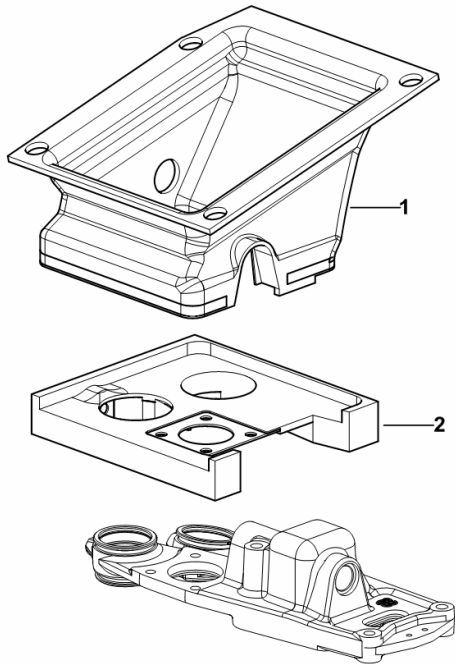
SOUNDPROOFING FOR GEAR LEVERS

Fig.	Code	QTY	Name
------	------	-----	------

Notes:

- FOR MODELS WITH CAB [DORADO 66 2WD] -> 1295 - FOR MODELS WITH CAB [DORADO 66 4WD] -> 1295

1	0.014.2982.2	1	sound deadening
2	0.014.2466.3	1	sound deadening



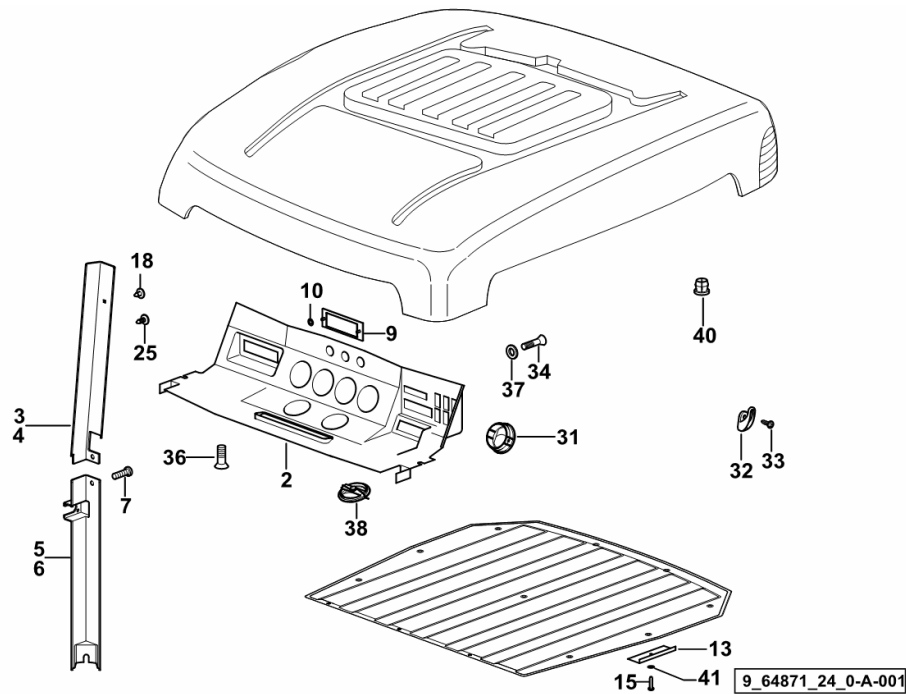
9_F0271_22_0-A-001

INTERNAL CAB LININGS

Fig.	Code	QTY	Name
------	------	-----	------

Notes:

- FOR TYPES WITH HEATING AND AIR CONDITIONING [DORADO 66 2WD] - FOR TYPES WITH HEATING AND AIR CONDITIONING [DORADO 66 4WD]



2	0.007.7147.0/40	1	front grille
3	0.007.7703.0/60	1	lining sx/lh/li
4	0.007.7704.0/60	1	lining dx/rh/re
5	0.007.7701.0/40	1	lining sx/lh/li
6	0.007.7702.0/50	1	lining dx/rh/re
7	2.0342.102.3	4	screw m 5 x 12
9	0.010.0880.0/10	1	cover
10	2.6999.049.0	2	small spring
13	0.010.5114.0/10	2	bracket
15	2.0350.255.3	6	screw m 3.5 x 16 -AB-
18	2.1899.075.0	4	button 6.5x14.5
25	2.1899.073.0	2	plug 14.5
31	0.009.8654.2	4	tongue mm 82.8
32	0.007.6732.0	1	coat hanger
33	2.0350.255.3	2	screw m 3.5 x 16 -AB-
34	2.0332.404.2	9	screw m 6 x 12
36	2.0350.454.3	6	screw m 4.2 x 13 -AB-
37	2.1310.002.3	2	flat washer 6.4 x 12 x 1.6
38	0.009.0455.4	2	tongue mm 67.5
40	2.3199.107.0	2	plug 14x12.5
41	0.9200.358.0	6	washer 5.4x10x15.8

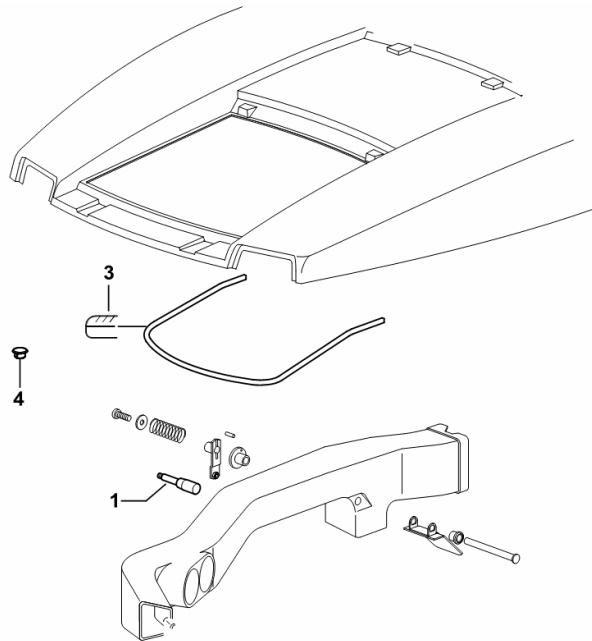
INTERNAL CAB LININGS

Fig.	Code	QTY	Name
------	------	-----	------

Notes:

- FOR "HIGH VISIBILITY" CAB [DORADO 66 2WD] - FOR "HIGH VISIBILITY" CAB [DORADO 66 4WD]

1	0.011.1301.3	2	knob
3	0.011.1288.0/20	1	profile
4	2.3199.107.0	2	plug 14x12.5



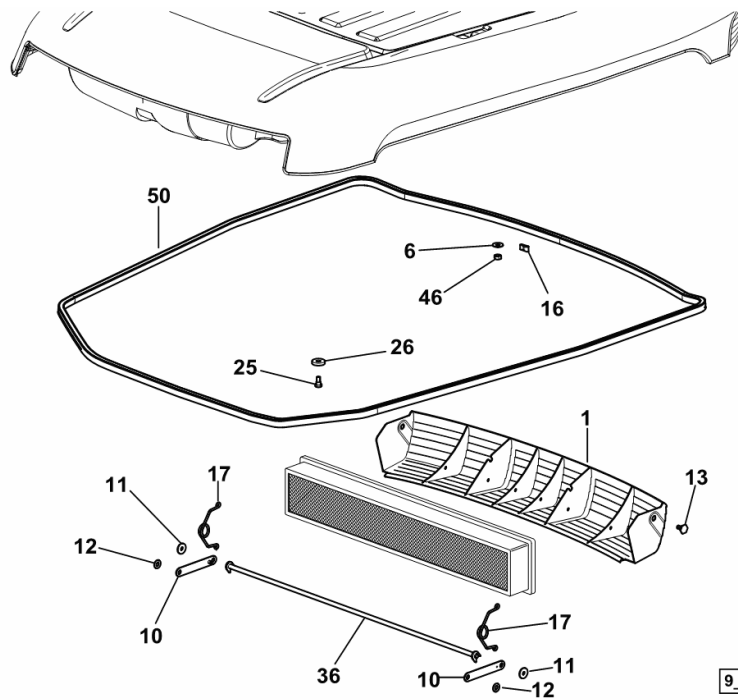
CAB INTERIOR TRIM

Fig.	Code	QTY	Name
------	------	-----	------

Notes:

[DORADO 66 2WD] [DORADO 66 4WD]

1	0.007.7660.0/90	1	front grille
6	2.1312.004.2	2	washer 8.4
10	0.007.6734.2/20	2	lever
11	2.1311.007.2	2	flat washer 10
12	2.1579.837.2	2	spacer 8 x 25 x 3
13	2.1699.429.2/40	2	pin
16	2.6999.041.0	1	small spring
17	2.4099.104.2/30	2	spring
25	2.1699.442.2	6	pin m 8x23.5
26	2.1599.599.2	6	washer 10.5x30x5
36	0.010.4408.2	1	crosspiece
46	2.1011.105.2	2	nut m 8 p.1.25
50	0.013.4027.0	6	gasket



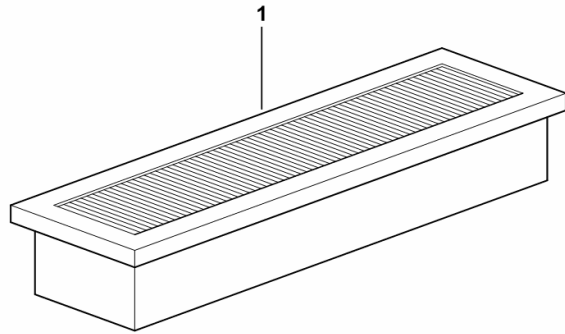
9_64871_22_0-A-001

CARBON FILTER

Fig.	Code	QTY	Name
------	------	-----	------

Notes:
[DORADO 66 2WD] [DORADO 66 4WD]

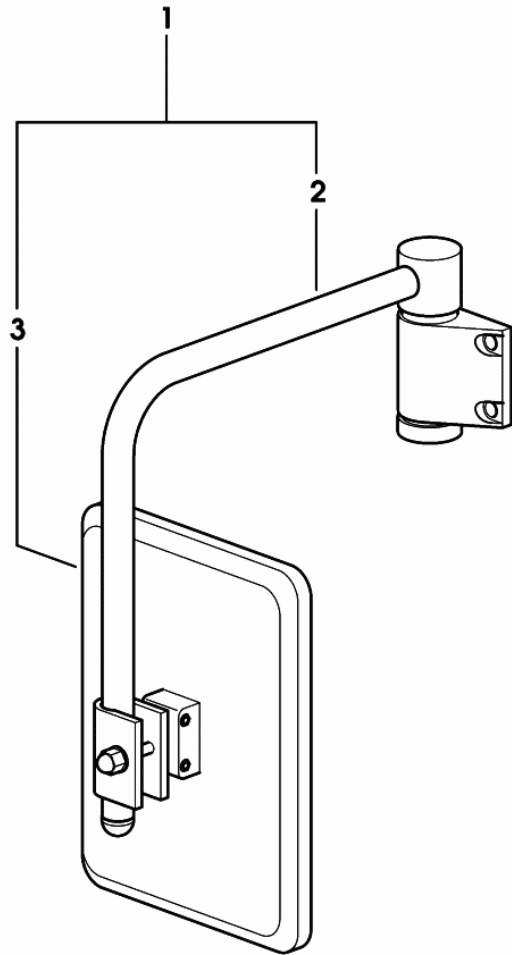
1	0.009.9423.2	1	air filter element
---	--------------	---	--------------------



9_56671_28_0-A-001

REARVIEW MIRROR

Fig.	Code	QTY	Name
1	0.011.4199.4/20	1	rear view mirror dx/rh/re
2	0.010.3096.1	1	rod
3	0.9233.183.3	1	rear view mirror



0.011.4199.4/20

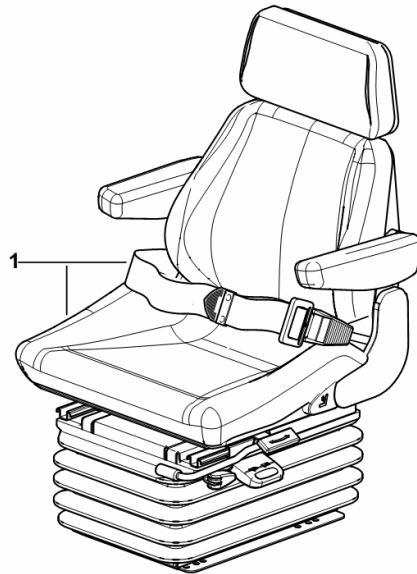
DRIVER'S SEAT - PNEUMATIC SPRINGING GRAMMER MSG95A/20

Fig.	Code	QTY	Name
------	------	-----	------

Notes:

- EXPORT CH [DORADO 66 4WD]

1	0.010.6543.4/10	1	sprung seat GRAMMER MSG95A/20 ☞ 0.010.6543.4/10 ☞ 0.010.6543.4/10
---	-----------------	---	---



9_E5775_03_0-A-001

SEAT-COMPONENTS

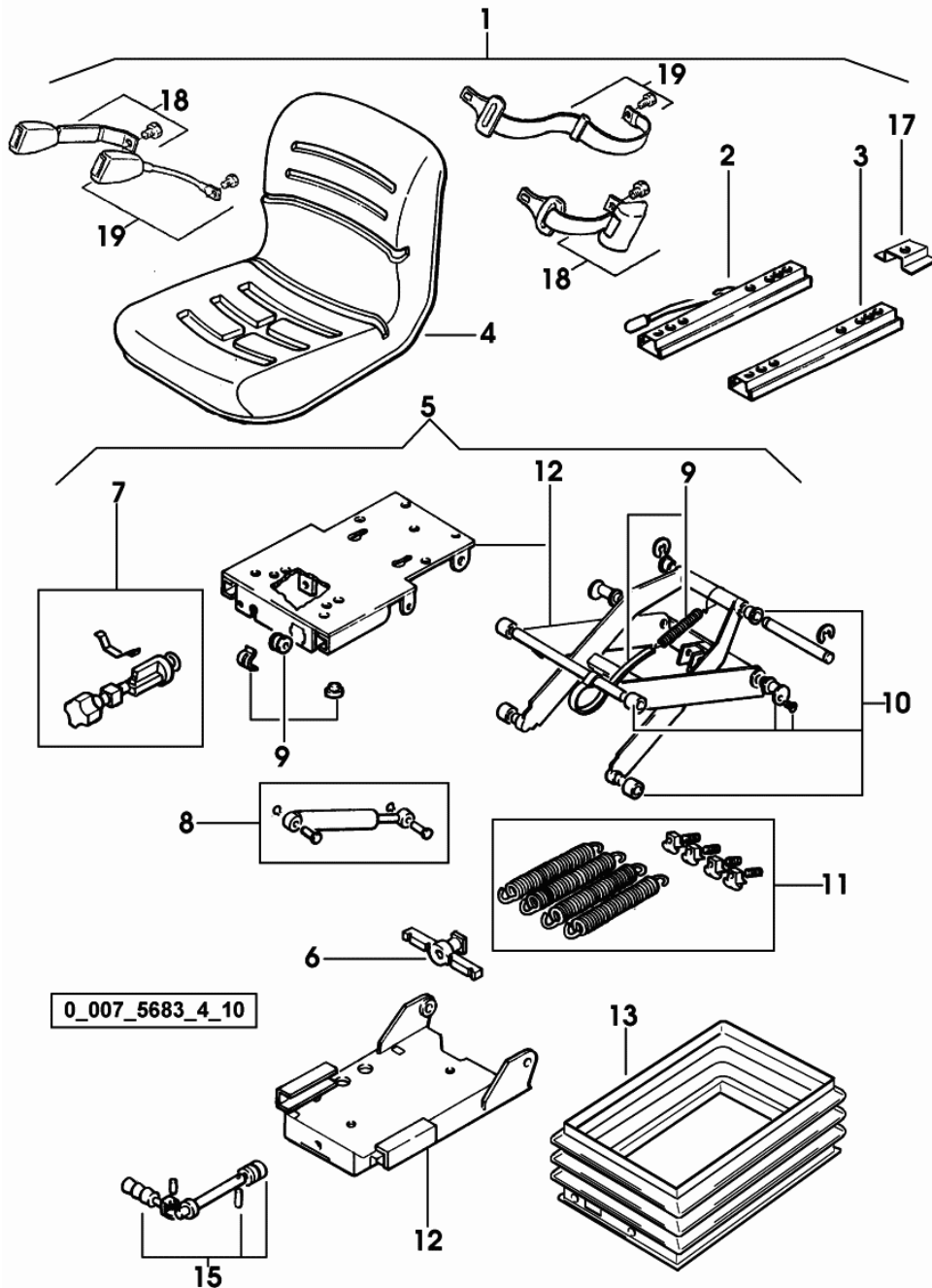


Fig.	Code	QTY	Name
1	0.007.5683.4/10	1	seat GRAMMER MSG 83/7L
2	0.009.4001.1	1	guide
3	0.009.4002.1	1	guide
4	0.009.4013.1	1	seat
5	0.008.3584.3	1	seat springs
6	0.009.4495.1	1	bracket
7	0.009.4008.1	1	knob
8	0.009.4009.1	1	shoch.absorber
9	0.009.4010.1	1	regulator
10	0.009.4011.1	1	pin
11	0.257.7561.1	1	guide
12	0.000.0000.1	0	not serviceable
13	0.009.4147.1	1	guard
15	0.010.2964.0	1	register
17	0.009.4000.1	1	bracket
18	0.012.6587.4	1	safety belt
19	0.012.6586.4	1	safety belt

SEAT-COMPONENTS

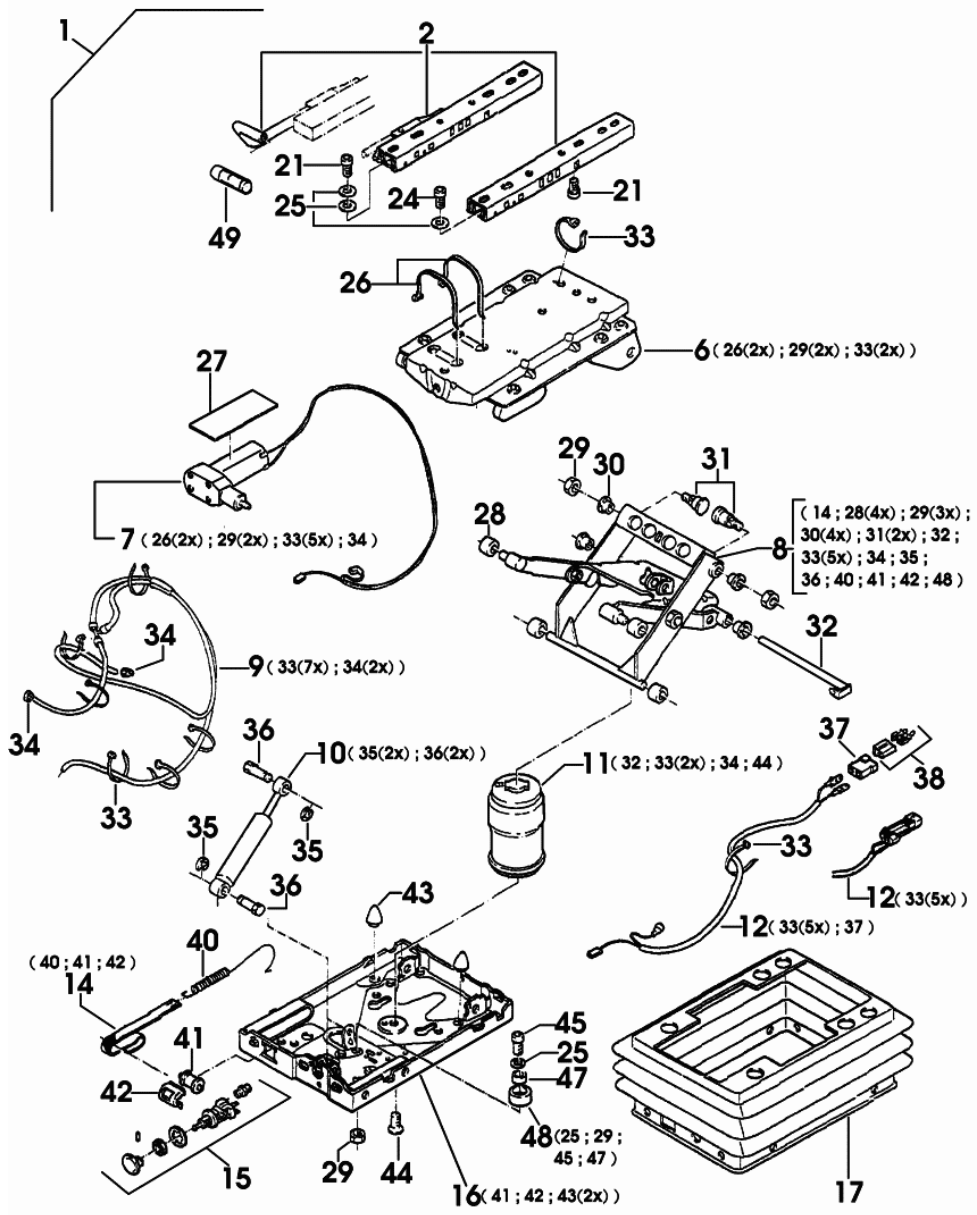


Fig.	Code	QTY	Name
1	0.010.2974.0	1	seat springs
2	0.010.2978.0	1	seat guide
6	0.010.2974.1	1	plate
7	0.010.2974.2	1	gear compressor
8	0.010.2975.0	1	arm
9	0.010.2975.1	1	accessories
10	0.009.4494.1	1	shoch.absorber
11	0.010.2975.2	1	spring
12	0.010.2976.0	1	wire
14	0.010.2976.1	1	register
15	0.010.2976.2	1	valve
16	0.010.2978.1	1	plate
17	0.010.2977.1	1	guard
21	0.010.2405.0	2	pin m 8 x 16
24	0.010.2966.1	2	screw m 8 x 12
25	0.000.0000.1	0	not serviceable
26	0.000.0000.1	0	not serviceable
27	0.009.4382.2	1	shim
28	0.009.4726.1	4	roller
29	0.010.2948.1	3	nut m 8
30	0.009.4715.1	4	spacer
31	0.010.2967.0	2	pin
32	0.010.2967.2	1	pin m 10
33	0.000.0000.1	0	not serviceable
34	0.009.4381.0	2	terminal
35	0.000.0000.1	0	not serviceable
36	0.010.2966.2	2	screw
37	0.010.2977.2	1	pin
38	0.009.4381.1	1	connection
40	0.009.4498.2	1	spring
41	0.009.4496.1	1	roller
42	0.009.4496.0	1	bracket
43	0.010.2275.1	2	stop
44	0.000.0000.1	0	not serviceable
45	0.000.0000.1	0	not serviceable
47	0.009.4720.1	1	bushing
48	0.010.2277.2	1	sub-assy parts
49	0.010.2268.2	1	knob

0_010_7727_4_20_B

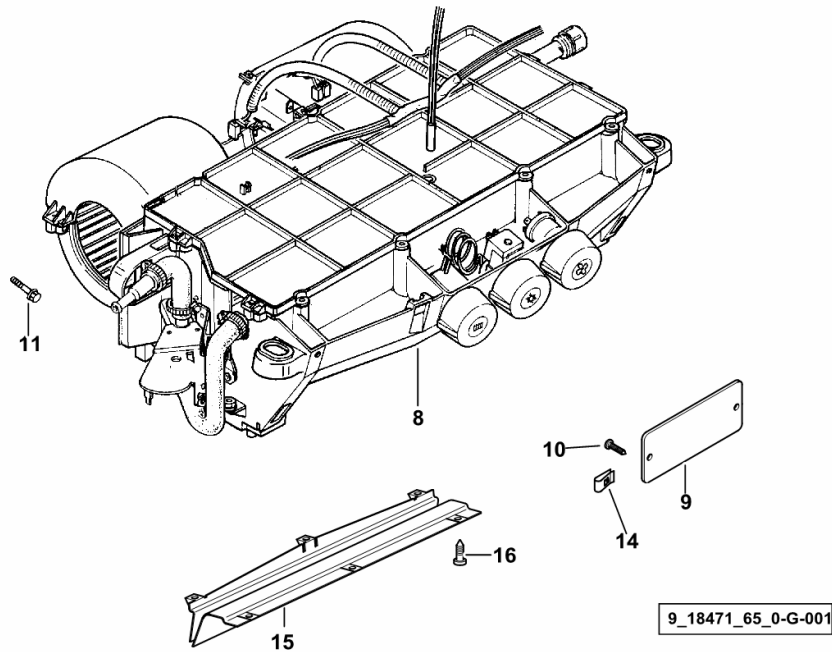
VENTILATION - AIR CONDITIONING - HEATING

Fig.	Code	QTY	Name
------	------	-----	------

Notes:

- FOR TYPES WITH HEATING AND AIR CONDITIONING [DORADO 66 2WD] - FOR TYPES WITH HEATING AND AIR CONDITIONING [DORADO 66 4WD] 1304 <-

8	0.010.9215.4/10	1	conditioner (1304 <-) ☞ 0.010.9215.4/10
8	0.010.9215.4/20	1	conditioner (-> 1328)
9	0.007.7317.0	1	plug 50x116x3
10	2.0350.456.3	2	screw m 4.2 x 19 -AB-
11	2.0112.213.2	4	screw m 8 p.1.25 x 35
14	2.6999.061.0	2	small spring 4.2
15	0.013.3352.0	1	blower
16	2.0350.253.6	6	screw m 3.5 x 9.5

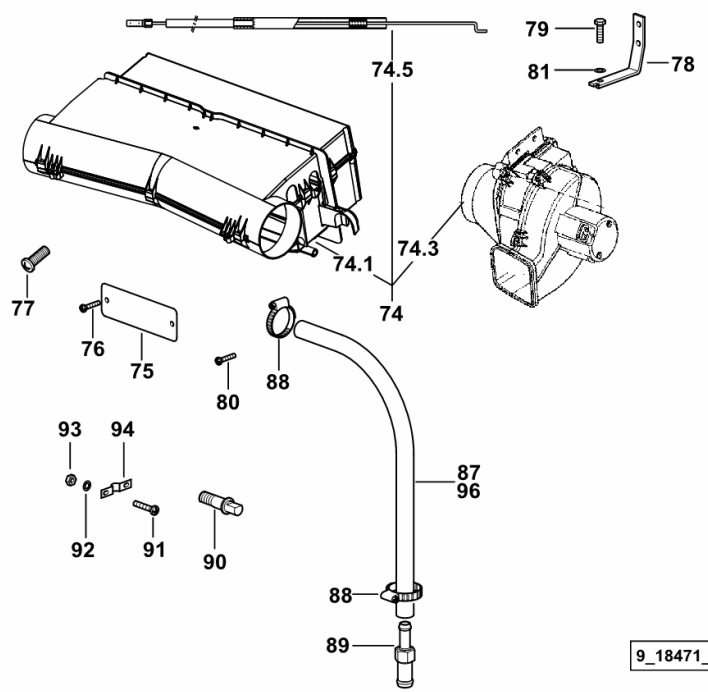


Section: G0 - BODYWORK - CAB
VENTILATION - HEATING

Fig.	Code	QTY	Name
------	------	-----	------

Notes:

HIGHT VISIBILITY - FOR TRACTORS WITH AIR HEATING [DORADO 66 2WD] -> 1295 HIGHT VISIBILITY - FOR TRACTORS WITH AIR HEATING [DORADO 66 4WD] -> 1295



9_18471_70_0-J-002

74	0.010.8993.4/50	1	cab heating (1308 <-) ☞ 0.010.8993.4/50
74	0.010.8993.4/60	1	cab heating (-> 1329)
74.1	0.011.2066.4/10	1	cab heating
74.3	0.011.2047.4	2	rotor blade
74.5	0.015.0185.2	1	cable
75	0.007.7317.0	1	plug 50x116x3
76	2.0350.456.3	2	screw m 4.2 x 19 -AB-
77	2.0112.213.2	4	screw m 8 p.1.25 x 35
78	0.011.3574.3	1	bracket
79	2.0112.005.2	1	screw m 6 p.1 x 16
80	2.0350.254.3	4	screw m 3.5x13
81	2.1310.002.2	1	washer 6.6, d125
87	0.009.1822.0	1	tube Ø mm 14x22x2300
88	2.6851.018.0	2	clamp 11/17
89	0.011.4033.0/10	2	pipe fitting
90	0.011.4750.0	1	pin
91	2.0332.203.2	2	screw m 4 x 10
92	2.1310.028.2	2	flat washer 4
93	2.1011.101.2	2	nut m 4 p.0.7
94	0.011.4172.0	2	small spring
96	0.009.1822.0	1	tube Ø mm 14x22x2300

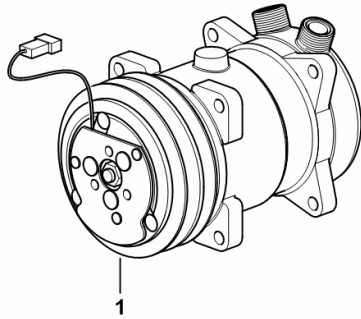
COMPRESSOR

Fig.	Code	QTY	Name
------	------	-----	------

Notes:

[DORADO 66 2WD] [DORADO 66 4WD]

1	0.009.7660.4	1	gear compressor R 134a ☞ 0.009.7660.4
---	--------------	---	--



9_64886_23_0-A-001

Section: G0 - BODYWORK - CAB
AIR CONDITIONER PARTS

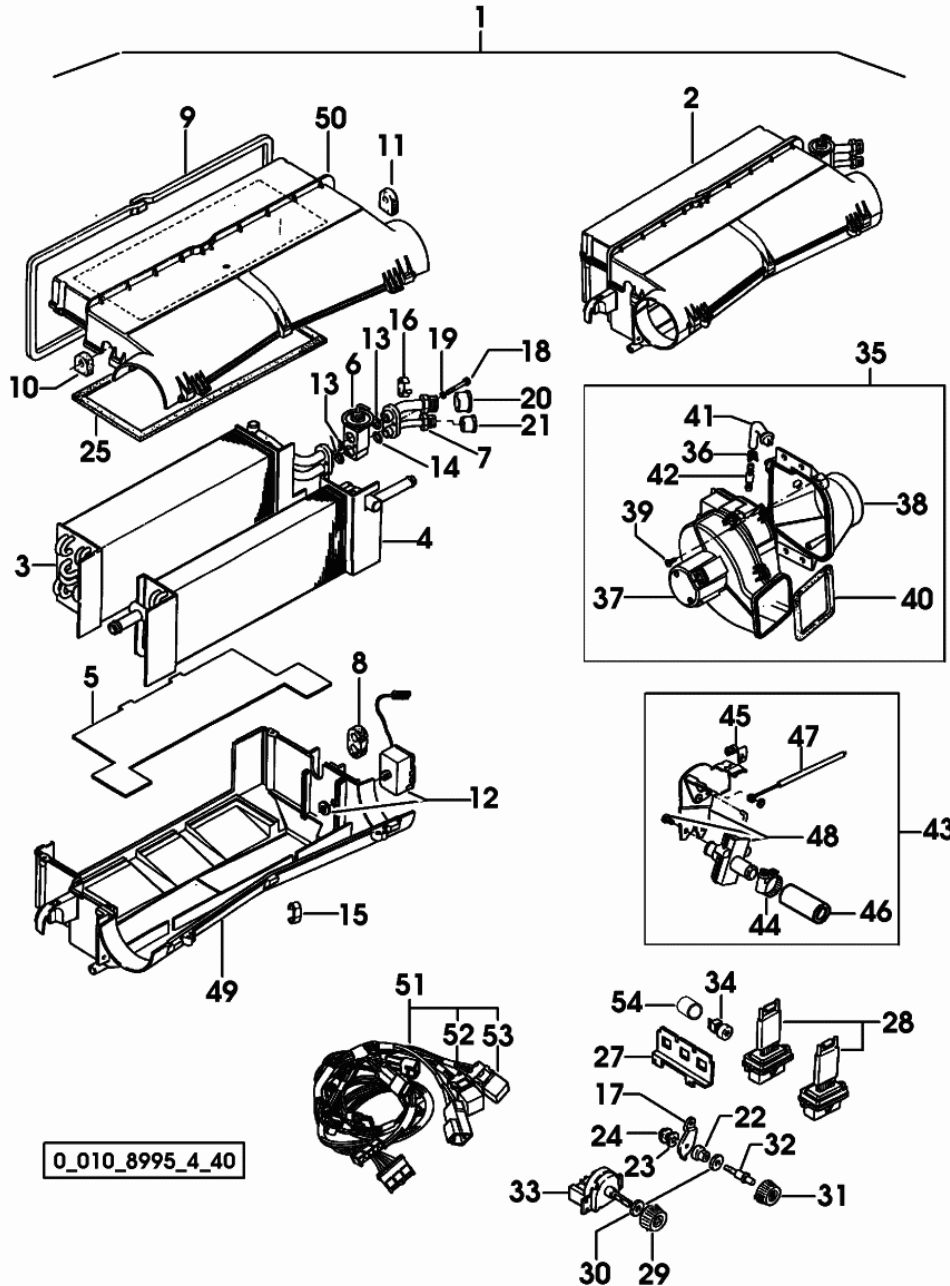


Fig.	Code	QTY	Name
1	0.010.8995.4/40	1	conditioner
2	0.011.2065.4/10	1	climatization kit
3	0.010.2558.2	1	radiator
4	0.010.2552.0	1	radiator
5	0.010.2552.1	1	division
6	0.010.2091.0	1	valve R 134
7	0.010.2559.0	1	pipe fitting
8	0.010.2559.1	1	gasket
9	0.010.2553.0	1	gasket
10	0.010.2553.1	1	gasket
11	0.010.2553.2	1	gasket
12	0.010.2522.0	1	switch
13	0.010.2128.1	3	gasket
14	0.010.2542.0	1	'o' ring
15	0.010.2541.2	9	small spring
16	0.010.2559.2	1	small spring
17	0.010.2149.1	1	small block
18	0.010.2542.1	2	screw m 6 x 50
19	0.010.2542.2	2	washer 6, d128
20	0.010.2544.1	1	plug
21	0.010.2544.2	1	plug
22	0.010.2148.0	1	bushing
23	0.010.2148.2	1	washer 6x12
24	0.010.2149.0	1	nut
25	0.010.2131.0	4	gasket
27	0.010.2125.2	1	bracket
28	0.010.2555.0	2	resistance
29	0.009.4743.2	1	knob
30	2.1019.081.0	2	nut m 11 p.1.25
31	0.009.4743.0	1	knob
32	0.010.2148.1	1	regulator
33	0.010.2528.1	1	switch
34	0.900.0058.9	1	switch
35	0.011.2047.4	2	rotor blade
36	0.010.2555.2	1	clamp
37	0.010.2556.0	2	cover
38	0.010.2556.1	2	cover
39	0.010.2119.2	3	screw 4 x 12
40	0.010.2556.2	1	gasket
41	0.010.2557.0	1	tube
42	0.010.2557.1	1	pipe fitting
43	0.010.2560.2	1	cock or tap
44	0.010.2561.0	1	clamp
45	0.010.2561.1	1	small spring

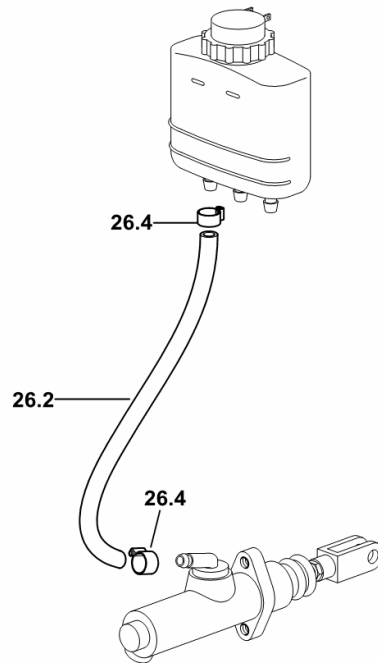
Section: G0 - BODYWORK - CAB
PIPE FROM OIL TANK TO PUMP

Fig.	Code	QTY	Name
------	------	-----	------

Notes:

[DORADO 66 2WD] [DORADO 66 4WD]

26.2	0.012.6343.0	0.33	tube
26.4	2.6857.019.0	6	clamp 14



9_64866_00_0-A-001

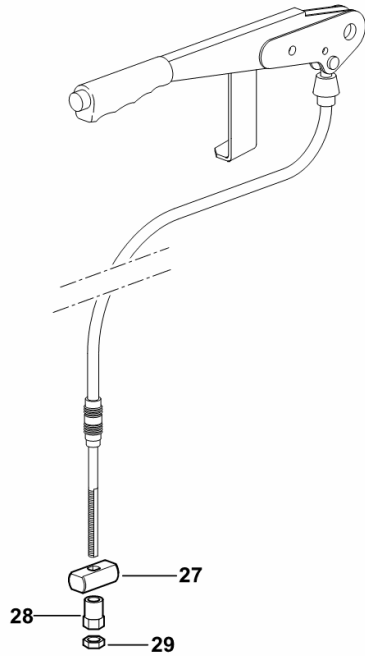
HAND BRAKE

Fig.	Code	QTY	Name
------	------	-----	------

Notes:

[DORADO 66 2WD] [DORADO 66 4WD]

27	0.007.6868.0/20	1	pin
28	2.1099.140.2/10	1	nut m 10
29	2.1011.206.2	1	nut m 10 p.1.5



9_64866_01_0-B-001

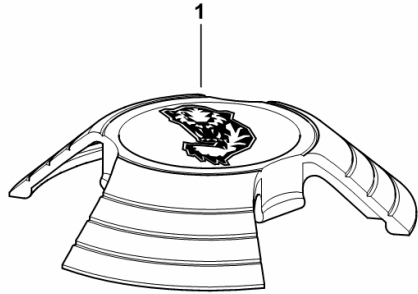
Section: G0 - BODYWORK - CAB
STEERING WHEEL CAP

Fig.	Code	QTY	Name
------	------	-----	------

Notes:

[DORADO 66 2WD] 1176 <- [DORADO 66 4WD] 1176 <-

1	0.009.0539.3	1	plug SAME
---	--------------	---	-----------



9_52661_10_0-A-001

Section: G0 - BODYWORK - CAB
KNOB FOR 5-SPEED GEARBOX

Fig.	Code	QTY	Name
------	------	-----	------

Notes:

- FOR TYPES WITHOUT H-M-L (POWERSHIFT) [DORADO 66 2WD] - FOR TYPES WITHOUT H-M-L (POWERSHIFT) [DORADO 66 4WD]

1	0.008.2837.0/10	1	knob
---	-----------------	---	------



9_C1264_04_0-A-001

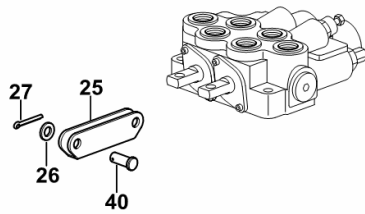
CONTROLS FOR 4-WAY AUXILIARY SERVICES CONTROL VALVE

Fig.	Code	QTY	Name
------	------	-----	------

Notes:

- FOR TYPES WITH MECHANICAL REAR LIFT [DORADO 66 2WD] - FOR TYPES WITH MECHANICAL REAR LIFT [DORADO 66 4WD]

25	0.007.7761.0/10	2	rod
26	2.1599.564.2	4	washer 9.5x17x1.6
27	2.1690.411.2	4	split pin 4x28
40	2.1699.245.2/10	4	pin 9x24.5



9_18488_15_0-C-001

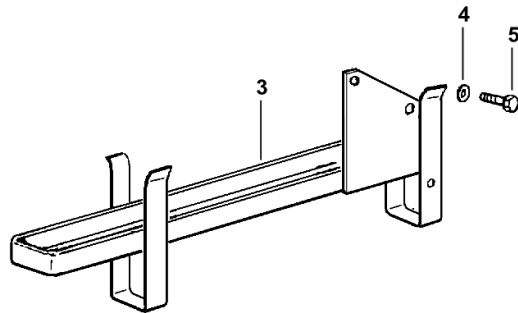
TRIANGLE SUPPORT

Fig.	Code	QTY	Name
------	------	-----	------

Notes:

- FOR TYPES WITH PLATFORM - ITALY [DORADO 66 2WD] - EXPORT CH [DORADO 66 4WD] - FOR TYPES WITH PLATFORM - ITALY [DORADO 66 4WD]

3	0.007.3983.2/10	1	support
4	2.1310.002.2	2	washer 6.6, d125
5	2.0112.007.2	2	screw m 6 p.1 x 20



9_69676_01_0-A-001

SWITCHES FOR 2-SPEED P.T.O. 540 - 1000.....	L0.04.22 (1)
SWITCHES FOR 2-SPEED P.T.O. 540 - 750 + SYNCRO.....	L0.04.23 (1)
SWITCHES FOR 2-SPEED P.T.O. 540 - 1000 + SYNCRO.....	L0.04.24 (1)
SWITCHES FOR 2-SPEED WITH FIXED OUTPUT SHAFT + SYNCRO AND 3 SPEEDS.....	L0.04.25 (1)
SWITCH FOR P.T.O. WITH INSERTED END SHAFTS - 2 -SPEED + GROUNDSP. AND 3- SPEED.....	L0.04.26 (1)
SWITCHES AND SENSOR FOR 3-SPEED P.T.O. WITH INSERTED OUTPUT SHAFTS 540-750-1000.....	L0.04.27 (1)
SWITCHES FOR 3-SPEED P.T.O. 540-750-1000.....	L0.04.28 (1)
REAR LIFT POSITION SENSOR.....	L0.04.29 (1)
SENSOR FOR ACCELERATOR PEDAL WITH ELECTRONIC CONTROL.....	L0.04.30 (1)
ELECTRONIC ACCELERATOR CONTROL SENSOR.....	L0.04.31 (1)
CLUTCH AND BRAKE PEDAL SWITCH.....	L0.04.33 (1)
CLUTCH AND BRAKE PEDAL SWITCH.....	L0.04.34 (1)
HAND BRAKE SWITCHES.....	L0.04.36 (1)
HAND BRAKE SWITCHES.....	L0.04.37 (1)

INSTRUMENT PANEL

ANALOGUE INSTRUMENT PANEL.....	L0.05.0 (1)
DIGITAL INSTRUMENT PANEL.....	L0.05.1 (1)
DIGITAL INSTRUMENT PANEL.....	L0.05.2 (1)
DASHBOARD BOX.....	2.8339.232.0/10.A
DASHBOARD BOX.....	2.8339.233.0/10.A

ELECTRICAL CONTROLS - PUSHBUTTONS

CONTROL BUTTON (H-M-L) FOR 5-SPEED GEARBOX.....	L0.07.0 (1)
KEYSWITCH BLOCK - STEERING COLUMN SWITCH UNIT - INSTRUMENT PANEL BUTTONS.....	L0.07.3 (1)
KEYSWITCH BLOCK - STEERING COLUMN SWITCH UNIT - INSTRUMENT PANEL BUTTONS.....	L0.07.3 (2)
PRE-HEATER BUTTON.....	L0.07.5 (1)
PRE-HEATER BUTTON.....	L0.07.5 (2)
PRE-HEATER BUTTON.....	L0.07.6 (1)
PRE-HEATER BUTTON.....	L0.07.6 (2)
ELECTRONIC ACCELERATOR MEMORY PUSHBUTTON.....	L0.07.8 (1)
DIGITAL INSTRUMENT PANEL FUNCTIONS BUTTONS.....	L0.07.10 (1)
4WD - ELECTROHYDRAULIC ENGAGEMENT CONTROL.....	L0.07.11 (1)
4WD - ELECTROHYDRAULIC ENGAGEMENT CONTROL.....	L0.07.12 (1)
DIFFERENTIAL LOCK SWITCH.....	L0.07.13 (1)
SWITCH - FOR P.T.O. FRONT.....	L0.07.15 (1)
P.T.O. SHAFT DRIVE - REAR.....	L0.07.16 (1)
P.T.O. SHAFT DRIVE.....	L0.07.17 (1)
P.T.O. SHAFT DRIVE - REAR.....	L0.07.18 (1)
P.T.O. BUTTON.....	L0.07.19 (1)
P.T.O. BUTTON.....	L0.07.20 (1)
AUTOMATIC P.T.O. CONTROL.....	L0.07.22 (1)
WORKLIGHTS SWITCH.....	L0.07.23 (1)
WORKLIGHTS SWITCH.....	L0.07.24 (1)
CAB TOP SWITCHES.....	L0.07.25 (1)
CAB TOP SWITCHES.....	L0.07.26 (1)

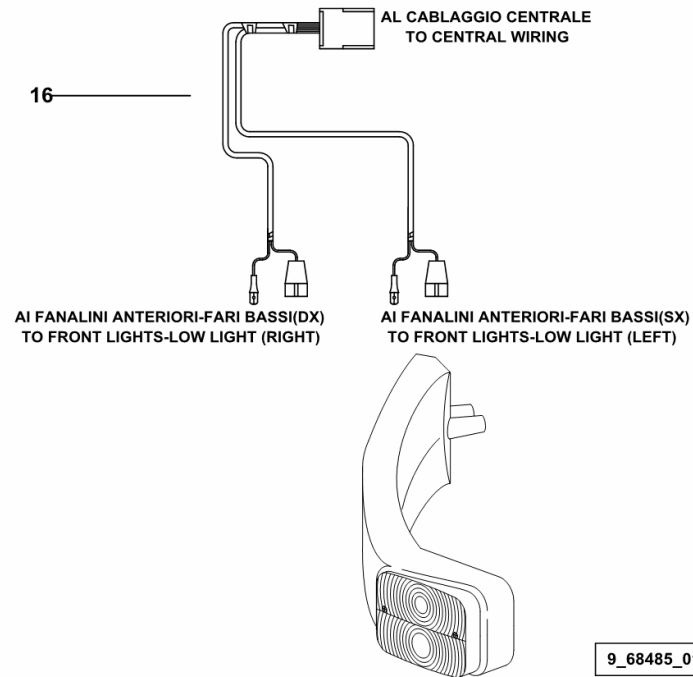
wiring for front sidelights and direction indicators

Fig.	Code	QTY	Name
------	------	-----	------

Notes:

- FOR TYPES W/ CAB AND VERTICAL EXHAUST SILENCER ON CAB PILLAR [DORADO 66 2WD] - FOR TYPES W/ CAB AND VERTICAL EXHAUST SILENCER ON CAB PILLAR [DORADO 66 4WD]

16	0.010.8189.3/40	1	wire
----	-----------------	---	------



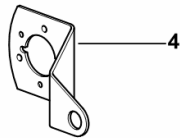
TRAILER SOCKET BRACKET

Fig.	Code	QTY	Name
------	------	-----	------

Notes:

- FOR MODELS WITH PLATFORM [DORADO 66 2WD] - FOR MODELS WITH PLATFORM [DORADO 66 4WD]

4	0.008.8754.0/40	1	support
---	-----------------	---	---------



9_64876_01_0-B-001

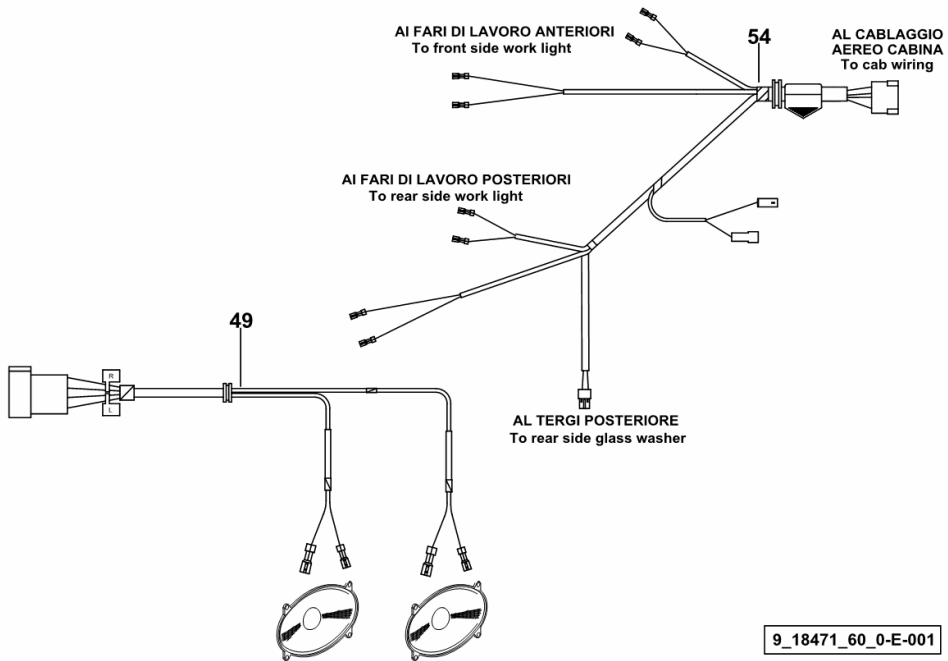
Section: L0 - ELECTRIC AL SYSTEM
CAB ELECTRICAL SYSTEM

Fig.	Code	QTY	Name
------	------	-----	------

Notes:

- FOR TRACTORS WITH AIR HEATING [DORADO 66 2WD] - FOR TRACTORS WITH AIR HEATING [DORADO 66 4WD] 1326 <-

49	0.011.0729.4/10	1	wire
54	0.009.7851.4/50	1	electrical system



9_18471_60_0-E-001

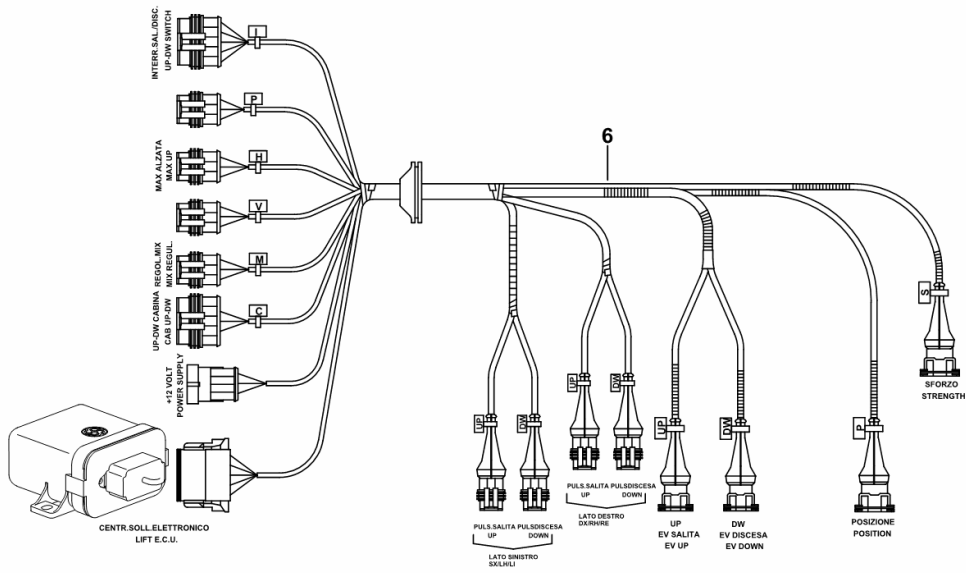
ELECTRICAL SYSTEM FOR REAR ELECTRONIC LIFT

Fig.	Code	QTY	Name
------	------	-----	------

Notes:

[DORADO 66 4WD] -> 1357

6	0.011.6943.4/20	1	electrical system
---	-----------------	---	-------------------



9_18359_51_0-C-002

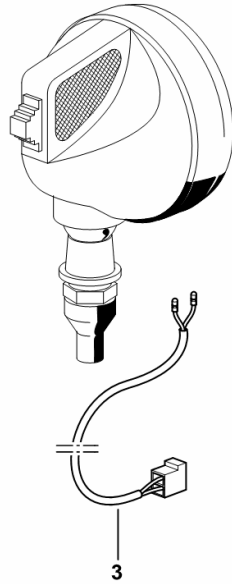
ELECTRICAL WIRE FOR REAR WORKLIGHT

Fig.	Code	QTY	Name
------	------	-----	------

Notes:

- FOR MODELS WITH PLATFORM [DORADO 66 2WD] - FOR MODELS WITH PLATFORM [DORADO 66 4WD]

3	0.012.9854.4	1	wire
---	--------------	---	------



9_64885_30_0-B-001

CLICK HERE TO **DOWNLOAD** THE COMPLETE MANUAL

- Thank you very much for reading the preview of the manual.
- You can download the complete manual from: www.heydownloads.com by clicking the link below



- Please note: If there is no response to CLICKING the link, please download this PDF first and then click on it.

CLICK HERE TO **DOWNLOAD** THE COMPLETE MANUAL

ELECTRICAL SYSTEM

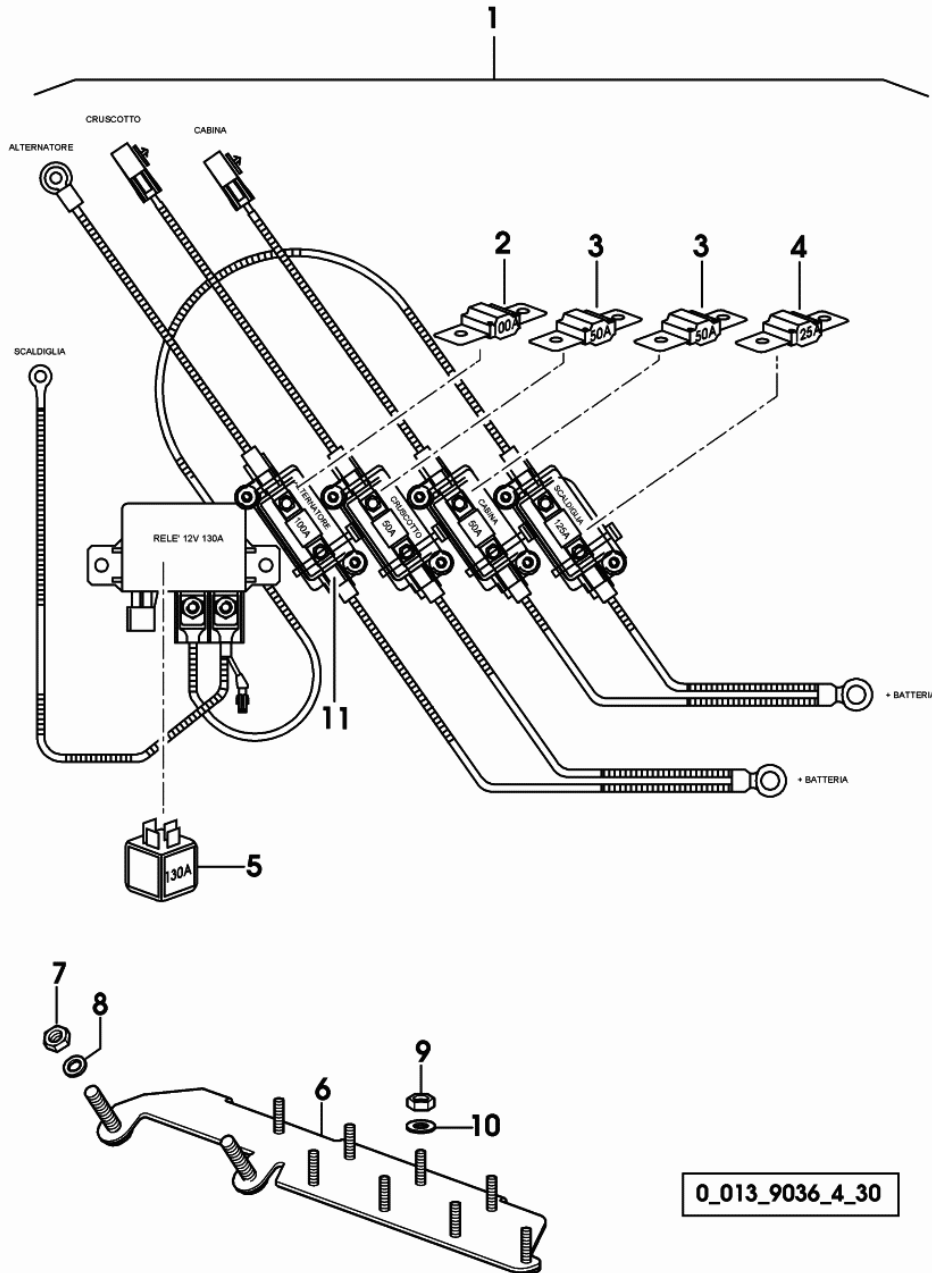


Fig.	Code	QTY	Name
1	0.013.9036.4/30	1	wire
2	0.900.0057.8	1	fuse 100 A midival
3	0.900.0057.7	2	fuse 50 A midival
4	0.900.0018.3	1	fuse 125 A midival
5	2.7659.240.0/10	1	relay 12 V 130A
6	0.013.8510.3	1	support
7	2.1011.103.2	2	nut m 6 p.1
8	2.1310.002.2	2	washer 6.6, d125
9	2.1011.001.2	6	nut m 4
10	2.1310.028.2	6	flat washer 4
11	0.900.0391.1	4	box

0_013_9036_4_30

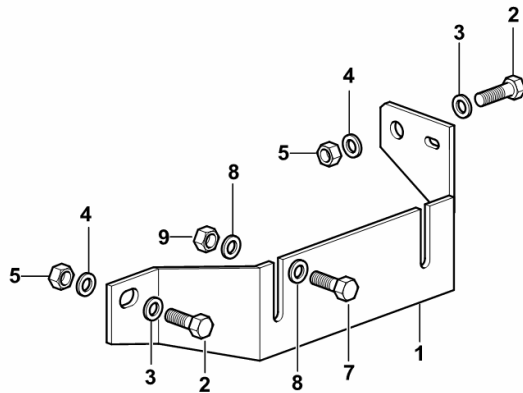
ECU SUPPORT FOR ELECTRONIC REAR LIFT

Fig.	Code	QTY	Name
------	------	-----	------

Notes:

[DORADO 66 4WD]

1	0.011.6611.2	1	bracket
2	2.0112.207.2	4	screw m 8 p 1.25 x 20
3	2.1310.004.2	4	flat washer 8.5
4	2.1470.004.2	2	washer 8
5	2.1011.105.2	2	nut m 8 p.1.25
7	2.0112.005.2	2	screw m 6 p.1 x 16
8	2.1310.002.2	4	washer 6.6, d125
9	2.1011.103.2	2	nut m 6 p.1



9_18359_55_0-C-001

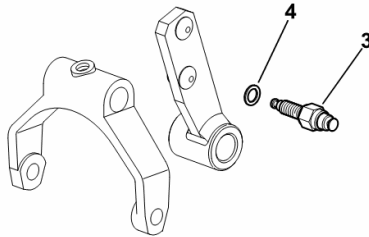
P.T.O. SWITCH

Fig.	Code	QTY	Name
------	------	-----	------

Notes:

- FOR 540/N EXPORT U.S.A. [DORADO 66 4WD]

3	2.7659.131.0	1	switch
4	2.1560.003.0	1	gasket 8.2 x 12



9_17436_02_0-B-001

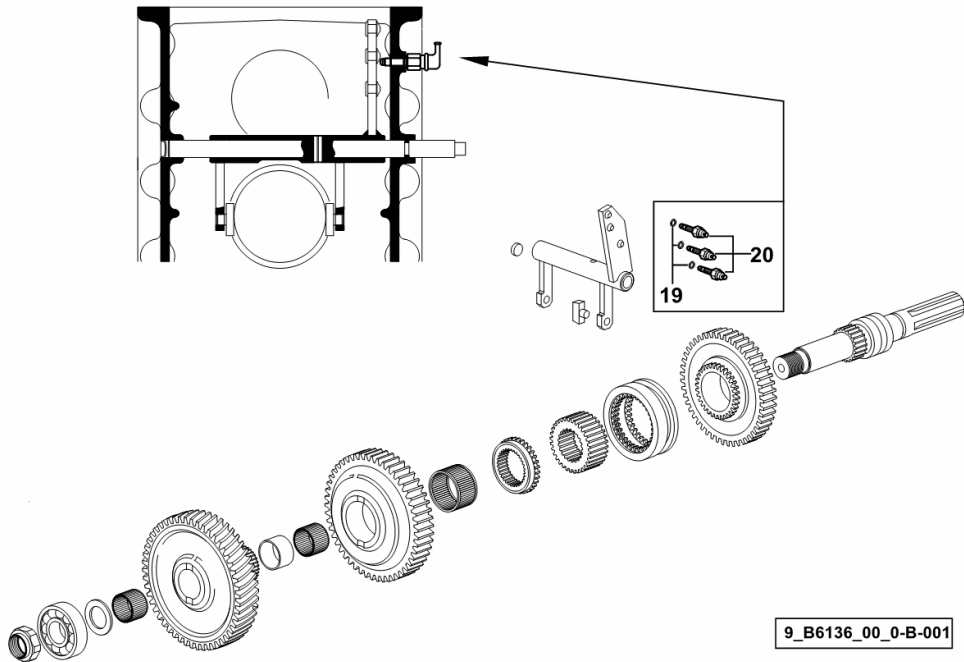
Section: L0 - ELECTRIC AL SYSTEM
SWITCHES FOR 3-SPEED P.T.O. 540-750-1000

Fig.	Code	QTY	Name
------	------	-----	------

Notes:

[DORADO 66 2WD] [DORADO 66 4WD] 1335 <-

19	2.1560.003.0	3	gasket 8.2 x 12
20	2.7659.131.0	3	switch



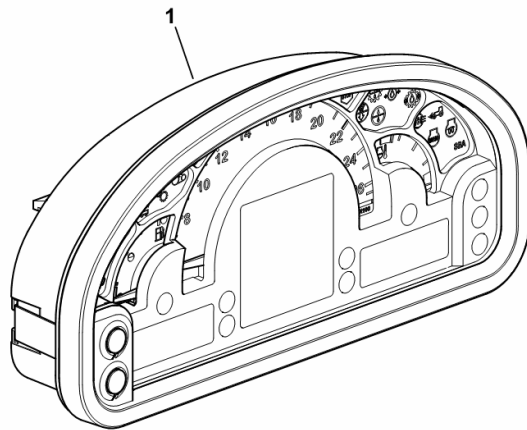
DIGITAL INSTRUMENT PANEL

Fig.	Code	QTY	Name
------	------	-----	------

Notes:

[DORADO 66 2WD] -> 1257 [DORADO 66 4WD] -> 1257

1	2.8339.269.0/30	1	instrument holder
---	-----------------	---	-------------------



9_F0284_21_0-A-001

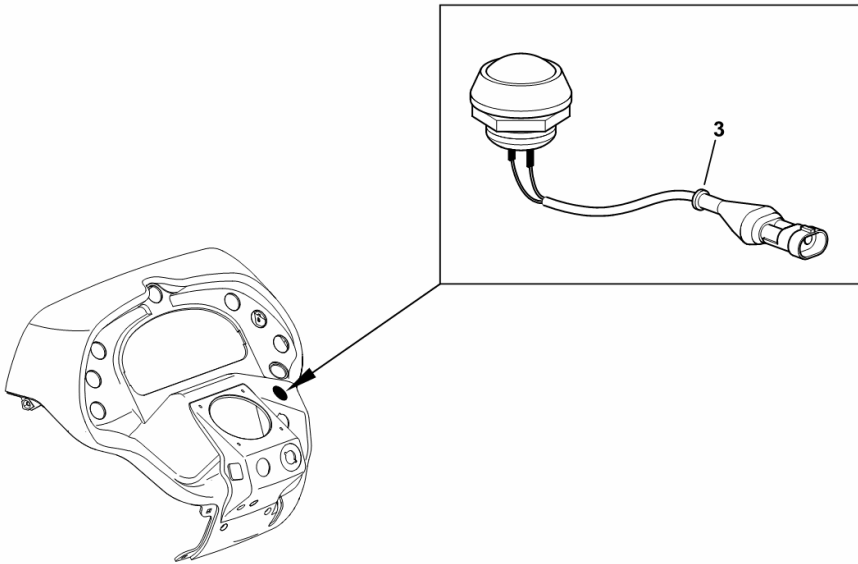
ELECTRONIC ACCELERATOR MEMORY PUSHBUTTON

Fig.	Code	QTY	Name
------	------	-----	------

Notes:

- WITH ELECTRONIC ENGINE GOVERNOR [DORADO 66 2WD] - WITH ELECTRONIC ENGINE GOVERNOR [DORADO 66 4WD]

3	2.7659.203.0/10	1	push-button
---	-----------------	---	-------------



9_C1267_11_0-C-001

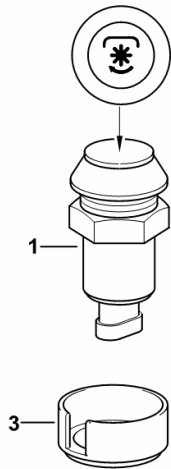
P.T.O. BUTTON

Fig.	Code	QTY	Name
------	------	-----	------

Notes:

- FOR TYPES WITH 540/750/1000 PTO EXPORT U.S.A. [DORADO 66 4WD]

1	2.7659.177.0/20	1	push-button P.T.O.
3	0.009.3987.0	1	guard



9_C5984_11_0-C-001

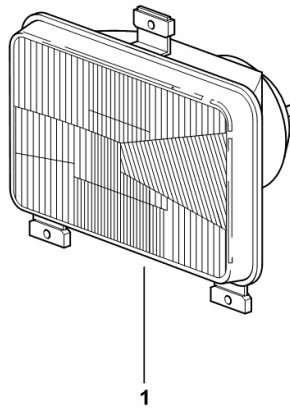
FRONT LIGHTS - FOR LEFT-HAND DRIVE

Fig.	Code	QTY	Name
------	------	-----	------

Notes:

[DORADO 66 2WD] [DORADO 66 4WD]

1	2.8029.770.0/30	2	lamp ☞ 2.8029.770.0/30
---	-----------------	---	---------------------------



9_62085_22_0-A-001

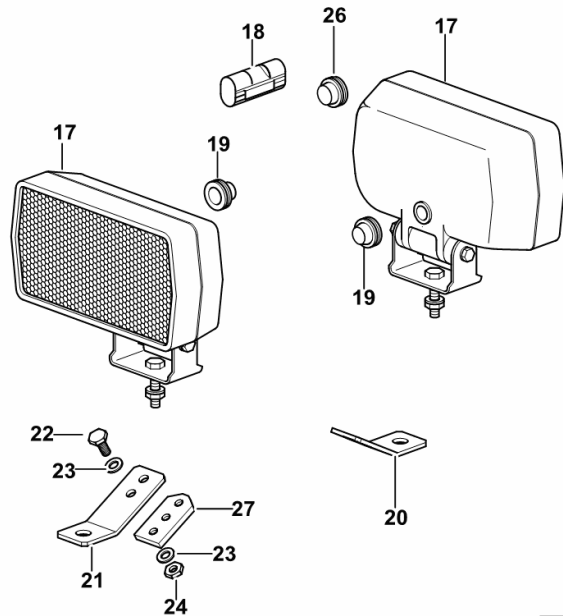
WORKING SPOTLIGHT TOP FRONT/REAR

Fig.	Code	QTY	Name
------	------	-----	------

Notes:

- FOR TYPES WITH HEATING AND AIR CONDITIONING [DORADO 66 2WD] - FOR TYPES WITH HEATING AND AIR CONDITIONING [DORADO 66 4WD] 1304 <-

17	2.8029.730.0	4	headlight ☞ 2.8029.730.0
18	2.6039.010.0	4	guard
19	2.6569.018.0	3	wire guide 20 x 8 x 15
20	0.010.0259.0/20	2	bracket
21	0.010.0260.0	2	bracket
22	2.0332.406.3	8	screw m 6 p.1.0 x 16
23	2.1310.002.3	20	flat washer 6.4 x 12 x 1.6
24	2.1120.003.2	8	nut m 6
26	2.6569.042.0	1	wire guide 20x10x15
27	0.010.6338.0/10	2	small plate



9_18471_65_0-F-001

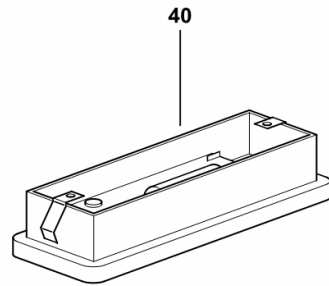
COURTESY LIGHT

Fig.	Code	QTY	Name
------	------	-----	------

Notes:

- FOR "HIGH VISIBILITY" CAB [DORADO 66 4WD] -> 1286 - 1364 <-

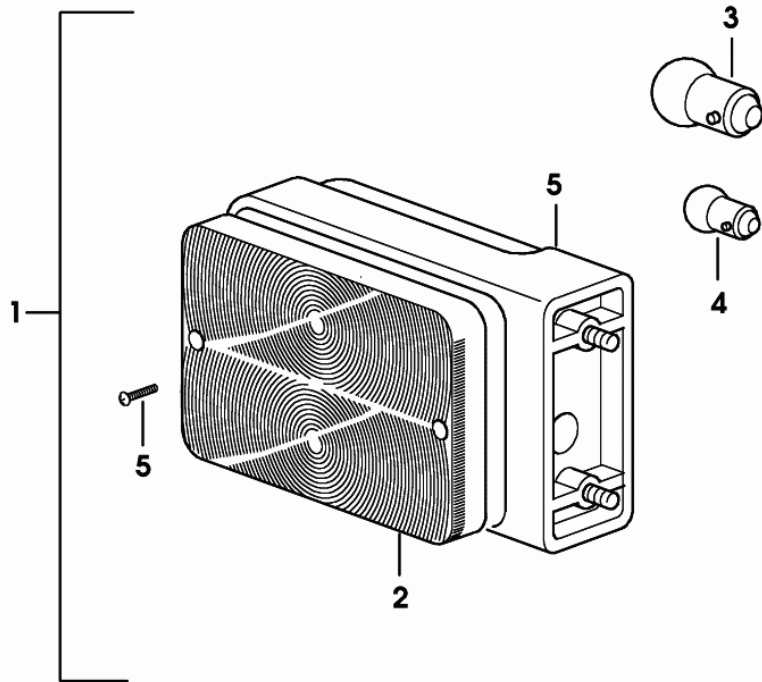
40	2.8339.032.0	1	interior light ☞ 2.8339.032.0
----	--------------	---	----------------------------------



9_F0171_30_0-C-001

Section: L0 - ELECTRIC AL SYSTEM
HEADLAMP COMPONENTS

Fig.	Code	QTY	Name
1	2.8019.960.0	1	side lamp sx/lh/li
2	2.8019.200.1	1	light body dx/rh/re
3	2.8313.001.0	1	lamp 12V 21W
4	2.8311.005.0	1	lamp 12 V, 5 W
5	0.000.0000.1	0	not serviceable



2_8019_960_0

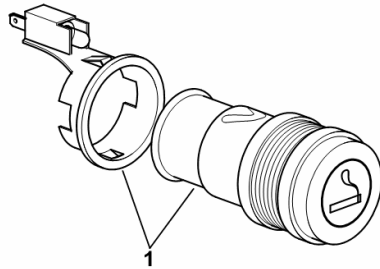
CIGAR LIGHTER

Fig.	Code	QTY	Name
------	------	-----	------

Notes:

[DORADO 66 2WD] [DORADO 66 4WD]

1	2.7099.770.0	1	cigar lighter
---	--------------	---	---------------



9_64884_35_0-A-001

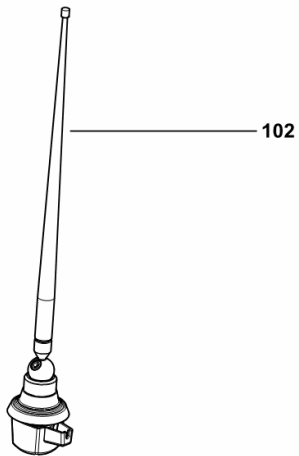
RADIO ANTENNA

Fig.	Code	QTY	Name
------	------	-----	------

Notes:

- FOR "HIGH VISIBILITY" CAB [DORADO 66 4WD] -> 1405

102	0.011.5630.3/20	1	radio aereo
-----	-----------------	---	-------------



9_H1471_30_0-C-002

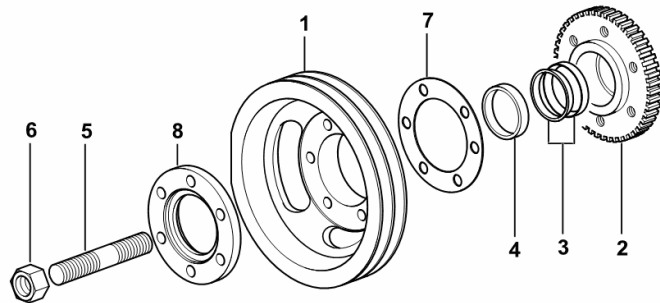
ENGINE CRANKSHAFT PULLEY WITH RING-FEEDER RINGS

Fig.	Code	QTY	Name
------	------	-----	------

Notes:

- FOR TYPES WITH AIR CONDITIONING AND FRONT PTO [DORADO 66 4WD]

1	0.010.4274.0	1	pulley
2	0.011.3515.0/20	1	hub Z = 48
3	0.065.1256.0	2	ring 45x52
4	2.1579.865.0	1	spacer 45.2x51.8x10
5	2.0439.195.7	1	stud bolt m 20 p.1.5x80
6	2.1019.094.7	1	nut m 20 p.1.5
7	2.1589.137.0	3	snoulder 71x110x1
8	0.089.1253.0/10	1	spacer



9_37512_03_0-A-001

Section: B0 - ENGINE
CYLINDER HEAD

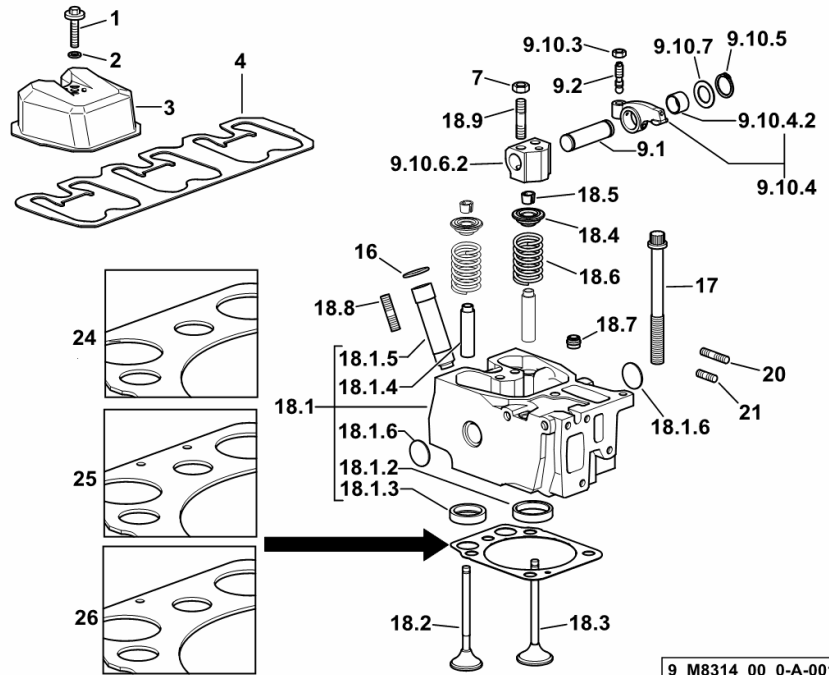


Fig.	Code	QTY	Name
Notes:			
[DORADO 66 2WD] [DORADO 66 4WD]			
1	2.0399.288.2/10	3	screw m 8x36x46
2	2.1539.151.0	3	'o' ring 9.19 x 2.62
3	0.007.1139.0/10	3	small cap
4	0.069.1450.0/30	1	gasket
7	2.1011.421.2	6	nut m 10 p.1.25
9.1	0.066.1431.0	1	pin
9.2	0.021.1434.0	2	screw m 8 p.1 x 8
9.10.3	2.1011.405.2	2	nut m 8 p.1
9.10.4	0.066.1432.3	2	rocker
9.10.4.2	2.1559.021.0/40	1	bushing 19x22x14
9.10.5	2.1410.055.7	2	circlip 19
9.10.6.2	0.066.1430.0/10	1	support
9.10.7	2.1599.432.0	2	snoulder 19.5x31x1.5
16	2.1532.507.0	3	'o' ring 17x3.53
17	0.012.2673.0	12	screw m 14 p.2x141
18.1	0.017.0868.3	1	engine head
18.1.2	0.078.1426.0	1	valve seat mm 45.118
18.1.3	0.066.1427.0	1	valve seat mm 40.653
18.1.4	0.007.1779.0/20	2	valve guide
18.1.5	0.012.9984.0/20	1	sleeve
18.1.6	2.3170.012.2	2	expansion plug Ø 30
18.2	0.010.6022.0	1	exhaust valve mm 39.1 / Ø mm 9
18.3	0.010.6017.0	1	inlet valve mm 43.63 / Ø mm 9
18.4	0.066.1425.0	2	cup
18.5	0.074.1423.0	4	conical valve cotter
18.6	2.4019.287.0	2	spring 35.5x53.6x3.9
18.7	2.1519.117.0	2	'o' ring
18.8	2.0432.161.7	1	stud bolt m 10 p.1.5 / p.1.25 x 40
18.9	2.0432.163.7	2	stud bolt m 10 p.1.5 / p.1.25 x 45
20	2.0432.011.7	3	stud bolt m 8 p.1.25 / p.1 x 40
21	2.0432.005.7	3	stud bolt m 8 p.1.25 / p.1 x 25
24	0.015.9190.0	0.5	gasket mm 1.2
25	0.015.9191.0	2	gasket mm 1.4
26	0.015.9192.0	0.5	gasket mm 1.6

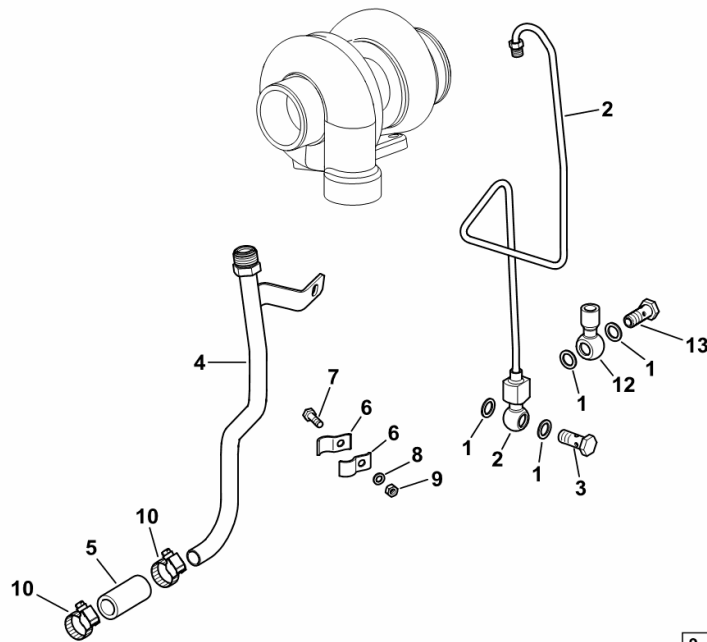
OIL PIPES FOR TURBOCHARGER

Fig.	Code	QTY	Name
------	------	-----	------

Notes:

[DORADO 66 2WD] [DORADO 66 4WD]

1	2.1560.008.0	4	gasket 12.2 x 18
2	0.007.0727.3/10	1	tube OIL DELIVERY
3	2.3339.448.2	1	pipe union m 12 p.1.75
4	0.010.5693.3/20	1	tube OIL DRAIN
5	0.007.0729.0/10	1	sleeve OIL DRAIN
6	0.007.0730.0	2	small plate
7	2.0112.007.2	1	screw m 6 p.1 x 20
8	2.1470.002.2	1	washer 6, d128
9	2.1011.103.2	1	nut m 6 p.1
10	2.6851.002.0	2	clamp Ø 20/32
12	2.3249.014.2	1	pipe fitting m 12 p.1.5
13	2.3330.003.1	1	pipe union m 12 p.1.5



9_N1215_01_0-A-001

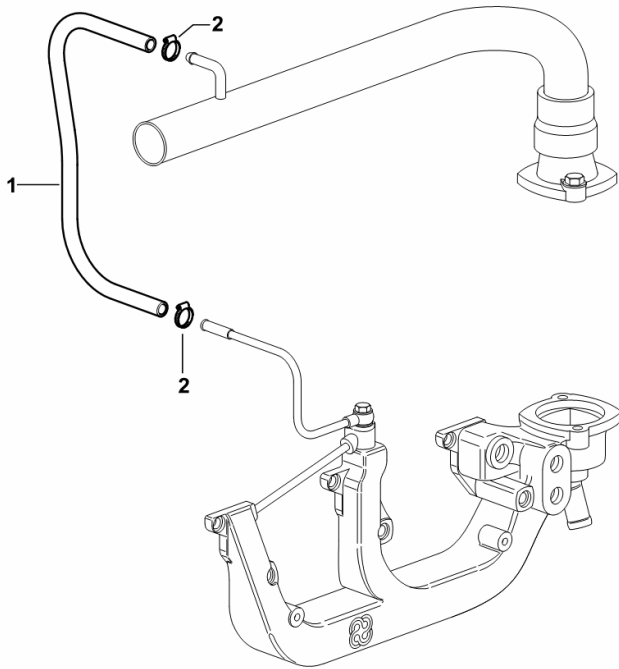
WATER MANIFOLD BREATHER PIPE

Fig.	Code	QTY	Name
------	------	-----	------

Notes:

[DORADO 66 2WD] [DORADO 66 4WD]

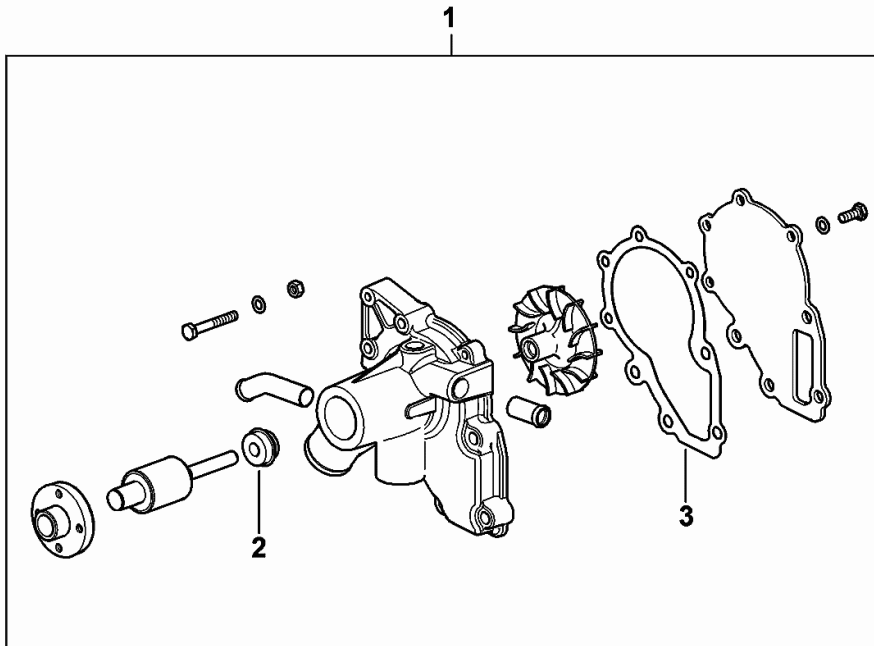
1	0.012.6457.0	0.25	tube
2	2.6851.019.0	2	clamp Ø 13/20



9_37417_03_0-A-001

Section: B0 - ENGINE
COOLING WATER PUMP

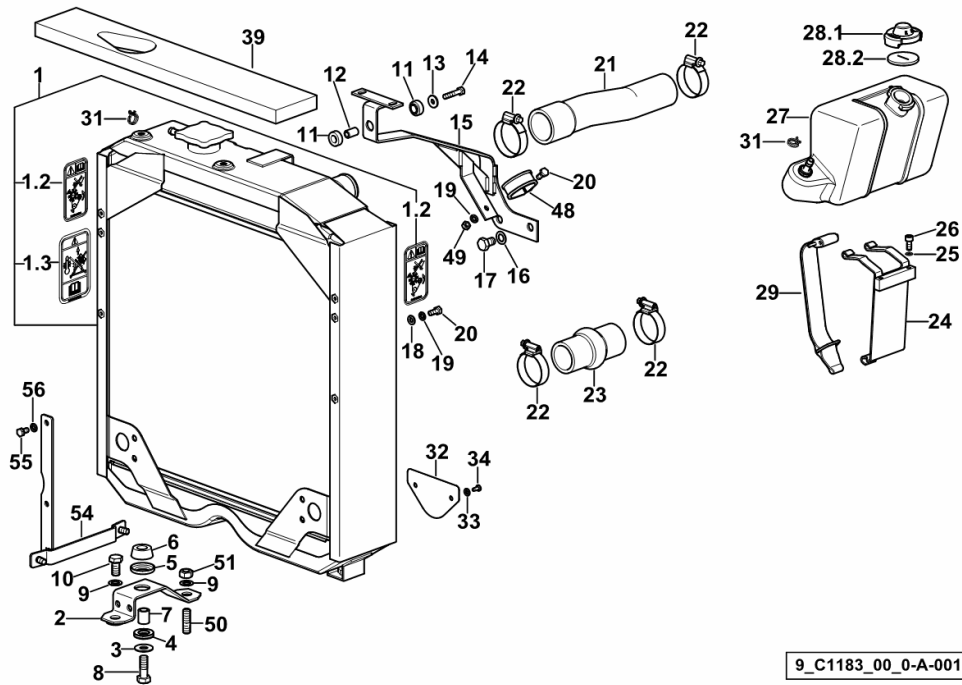
Fig.	Code	QTY	Name
1	0.015.2993.4	1	water pump
2	0.900.0941.9	1	'o' ring
3	0.900.0942.0	1	gasket



015_2993_4

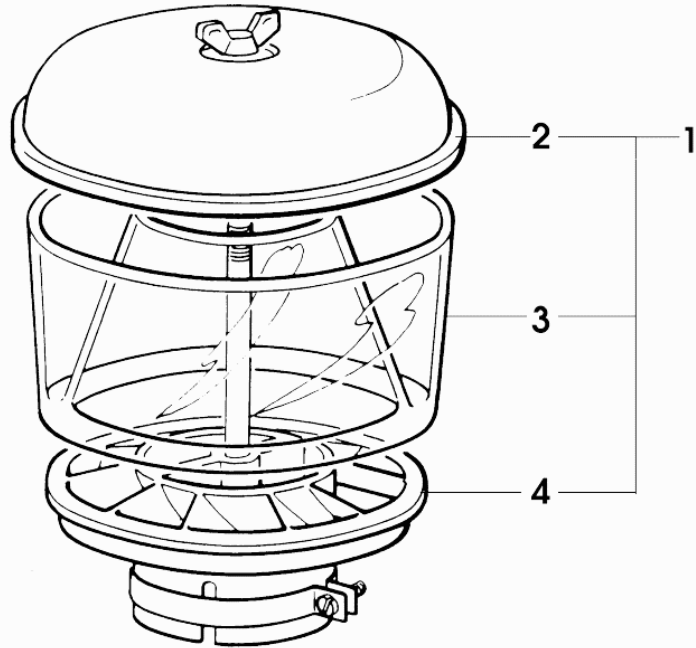
WATER COOLER

Fig.	Code	QTY	Name
50	2.0422.303.2	2	stud bolt m 10 p.1.5 x 20
51	2.1011.106.2	2	nut m 10 p.1.5
54	0.013.9486.3	1	support
55	2.0112.003.2	2	screw m 6 p.1 x 12
56	2.1470.002.2	2	washer 6, d128



PRE-FILTER - COMPONENTS

Fig.	Code	QTY	Name
1	2.4239.110.0	1	precleaner
2	2.4239.110.1	1	cover
3	2.4239.110.2	1	cup
4	0.000.0000.1	0	not serviceable



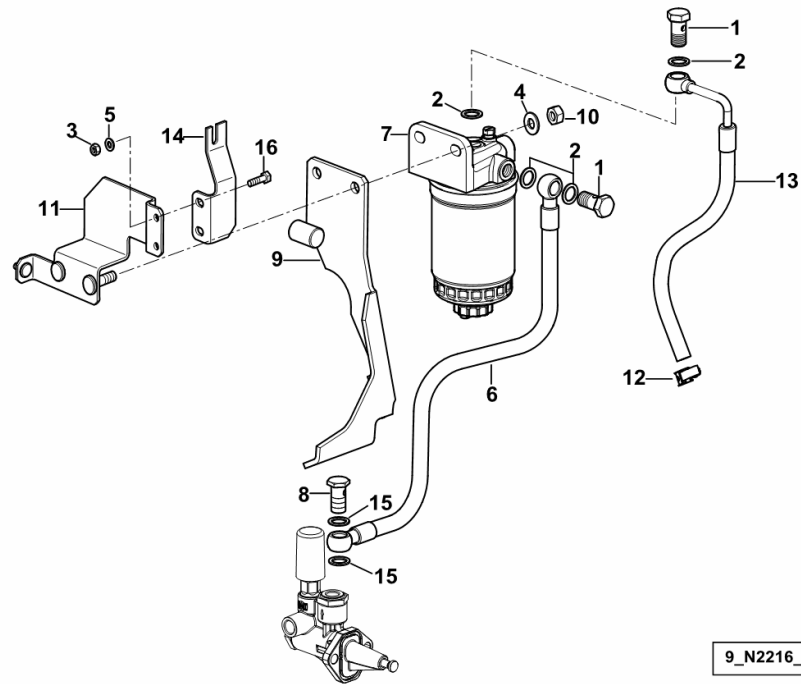
2_4239_110_0

FUEL FILTER - PIPES

Fig.	Code	QTY	Name
------	------	-----	------

Notes:

[DORADO 66 2WD] [DORADO 66 4WD]



9_N2216_01_0-A-001

1	2.3332.004.1	1	pipe union m 14 p.1.5 x 27
2	2.1560.010.0	5	gasket 14.2 x 20 x 1.5
3	2.1011.103.2	2	nut m 6 p.1
4	2.1310.006.2	2	flat washer 10.5
5	2.1310.002.2	2	washer 6.6, d125
6	0.010.9530.3	1	tube
7	2.4319.230.0	1	fuel filter ☞ 2.4319.230.0
8	2.3339.357.2/10	1	pipe union m 14 p.1.5x28
9	0.013.8997.2/10	1	bracket
10	2.1011.106.2	2	nut m 10 p.1.5
11	0.013.9026.3/10	1	bracket
12	2.6851.001.0	2	clamp Ø 16/25
13	0.013.2822.3	1	tube
14	0.013.9492.0/10	1	support
15	2.1561.007.0	2	gasket 14,8x22.2
16	2.0112.007.2	2	screw m 6 p.1 x 20

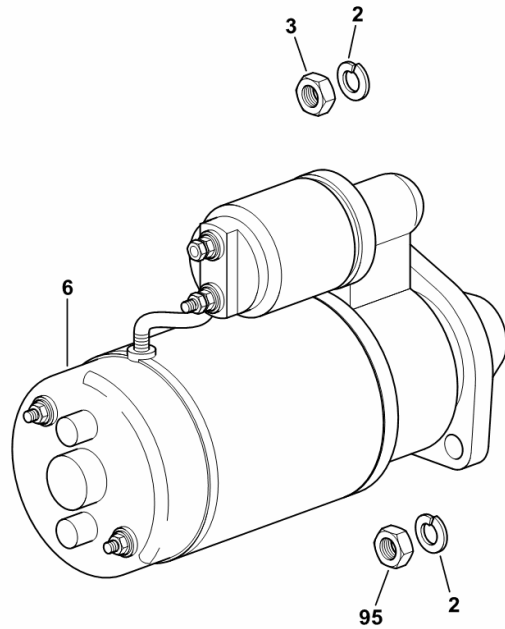
STARTER

Fig.	Code	QTY	Name
------	------	-----	------

Notes:

[DORADO 66 2WD] [DORADO 66 4WD]

2	2.1470.007.2	2	lock washer 12
3	2.1011.422.2	1	nut m 12 p.1.25
6	2.9619.400.0	1	starter motor 12V - 2.4KW - Z = 11 ☞ 2.9619.400.0
95	2.1011.522.2	1	nut m 12 p.1.25



9_50884_09_0-A-001

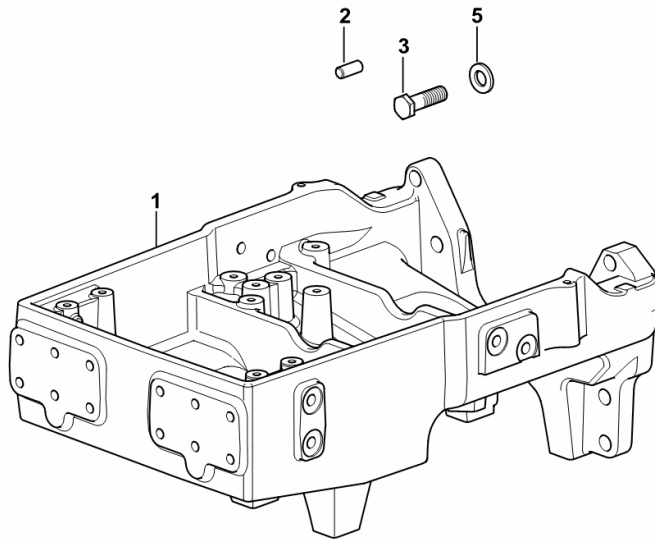
FRONT SUPPORT

Fig.	Code	QTY	Name
------	------	-----	------

Notes:

- 4WD - FOR MODELS WITHOUT FRONT LIFT [DORADO 66 4WD] 1217 <-

1	0.009.8848.0/30	1	front support
2	2.1699.035.0	2	cylindrical plug 14 x 35
3	2.0112.721.2	4	screw m 18 p.2.5x60
5	2.1475.007.7	4	washer 18

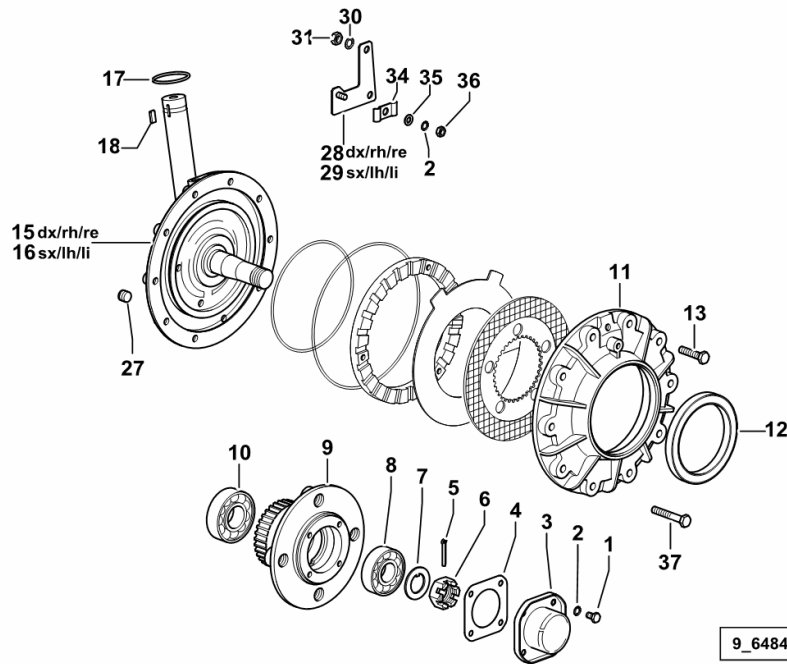


9_58952_00_0-A-001

2WD - AXLE SHAFT WITH FRONT BRAKES

Fig.	Code	QTY	Name
------	------	-----	------

Notes:
[DORADO 66 2WD]



1	2.0112.204.2	8	screw m 8 p.1.25x14
2	2.1470.004.2	10	washer 8
3	0.001.2920.0	2	small cover
4	0.001.2921.0	2	gasket
5	2.1690.516.2	2	split pin 5x50
6	2.1029.001.1	2	nut m 30 p.1.5
7	2.1249.002.0	2	lock-nut 30x50x3
8	2.2560.003.0	2	roller bearing 30x72x20.75
9	0.007.7753.0/20	2	wheel hub
10	2.2530.009.0	2	roller bearing 35 x 80 x 22.75
11	0.007.7754.0/30	2	cover
12	2.1529.056.0/10	2	'o' ring Ø 110/140 x13
13	2.0132.211.7	16	screw m 10 p.1.25 x 45
15	0.007.3187.3/40	1	axle shaft dx/rh/re
16	0.007.3188.3/40	1	axle shaft sx/lh/li
17	2.1530.134.0	2	'o' ring 53.98x3.53
18	2.1719.519.0	4	key
27	2.3130.002.1	4	plug 1/4" gas
28	0.010.1304.3/20	1	plate dx/rh/re
29	0.010.1305.3/20	1	plate sx/lh/li
30	2.1470.006.2	4	lock washer 10
31	2.1011.421.2	4	nut m 10 p.1.25
34	0.008.9082.0	2	small plate
35	2.1310.004.2	2	flat washer 8.5
36	2.1011.105.2	2	nut m 8 p.1.25
37	2.0139.030.2	4	screw m 10 p.1.25 x 65

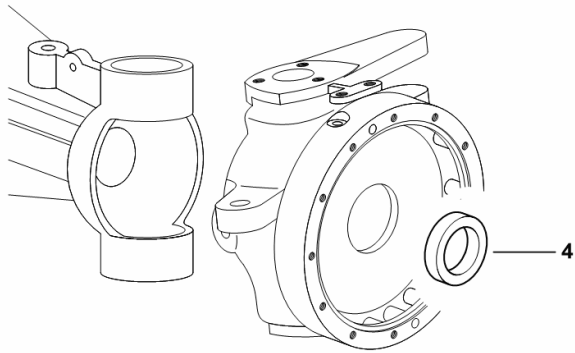
9_64842_02_0-A-001

Section: F0 - FRONT AXLE
4WD - STANDARD SEALING

Fig.	Code	QTY	Name
------	------	-----	------

Notes:
[DORADO 66 4WD]

4	2.1529.130.0	2	'o' ring 50 x 72 x 16.5
---	--------------	---	-------------------------



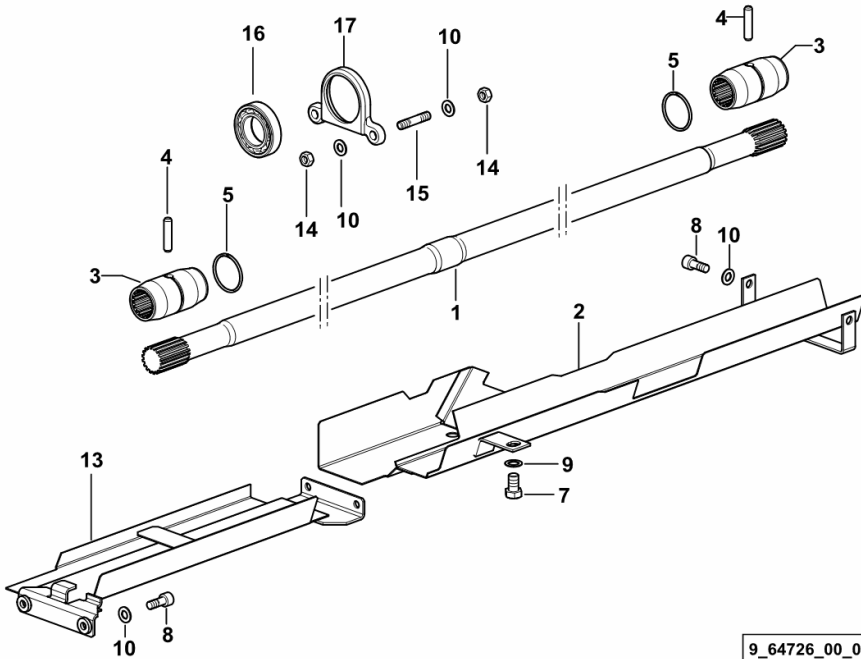
9_58946_06_0-A-001

Section: F0 - FRONT AXLE
4WD - TRANSMISSION SHAFT

Fig.	Code	QTY	Name
------	------	-----	------

Notes:
 [DORADO 66 4WD]

1	0.010.6689.0	1	transmission shaft
2	0.010.0152.2/20	1	guard
3	0.010.4887.0	2	sleeve
4	2.1650.715.0	2	pin 8 x 35
5	2.1499.165.7	2	circlip
7	2.0112.407.2	1	screw m 12 p.1.75 x 20
8	2.0312.206.2	4	screw m 8 p 1.25 x 20
9	2.1470.007.2	1	lock washer 12
10	2.1475.002.2	8	conical washer 8
13	0.010.0154.2/10	1	guard
14	2.1011.105.2	4	nut m 8 p.1.25
15	2.0422.207.2	2	stud bolt m 8 x 30
16	2.2999.469.0	1	bearing 30x55x13
17	0.007.7751.0/10	1	support



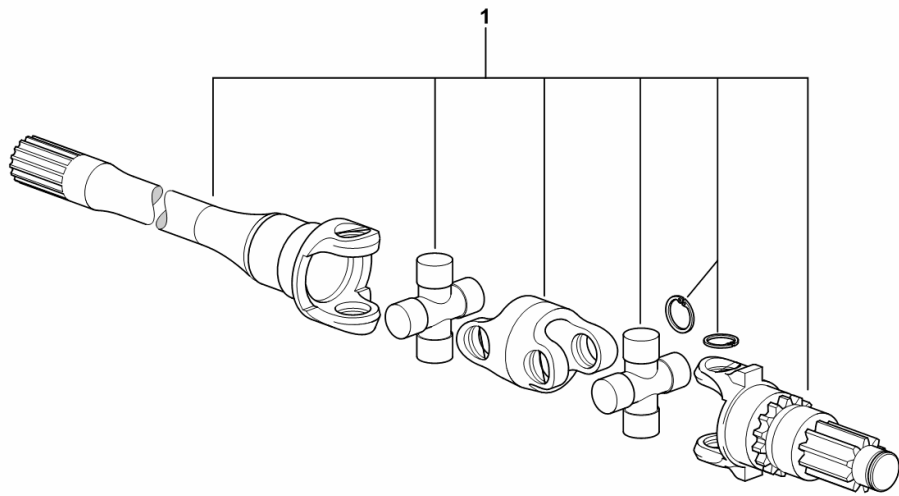
9_64726_00_0-A-001

Section: F0 - FRONT AXLE
4WD - AXLESHAFTS

Fig.	Code	QTY	Name
------	------	-----	------

Notes:
[DORADO 66 4WD]

1	0.009.6694.4/30	2	joint ☞ 0.009.6694.4/30
---	-----------------	---	----------------------------



9_58946_01_0-A-001

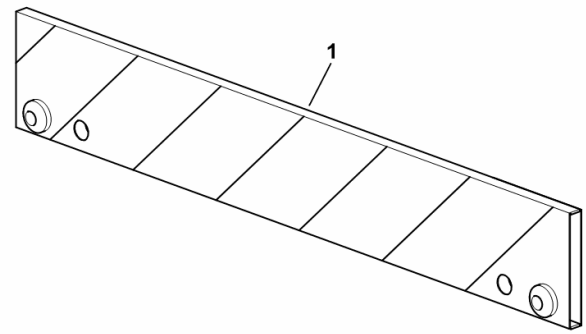
RED AND WHITE STRIPED WARNING SIGN

Fig.	Code	QTY	Name
------	------	-----	------

Notes:

[DORADO 66 4WD]

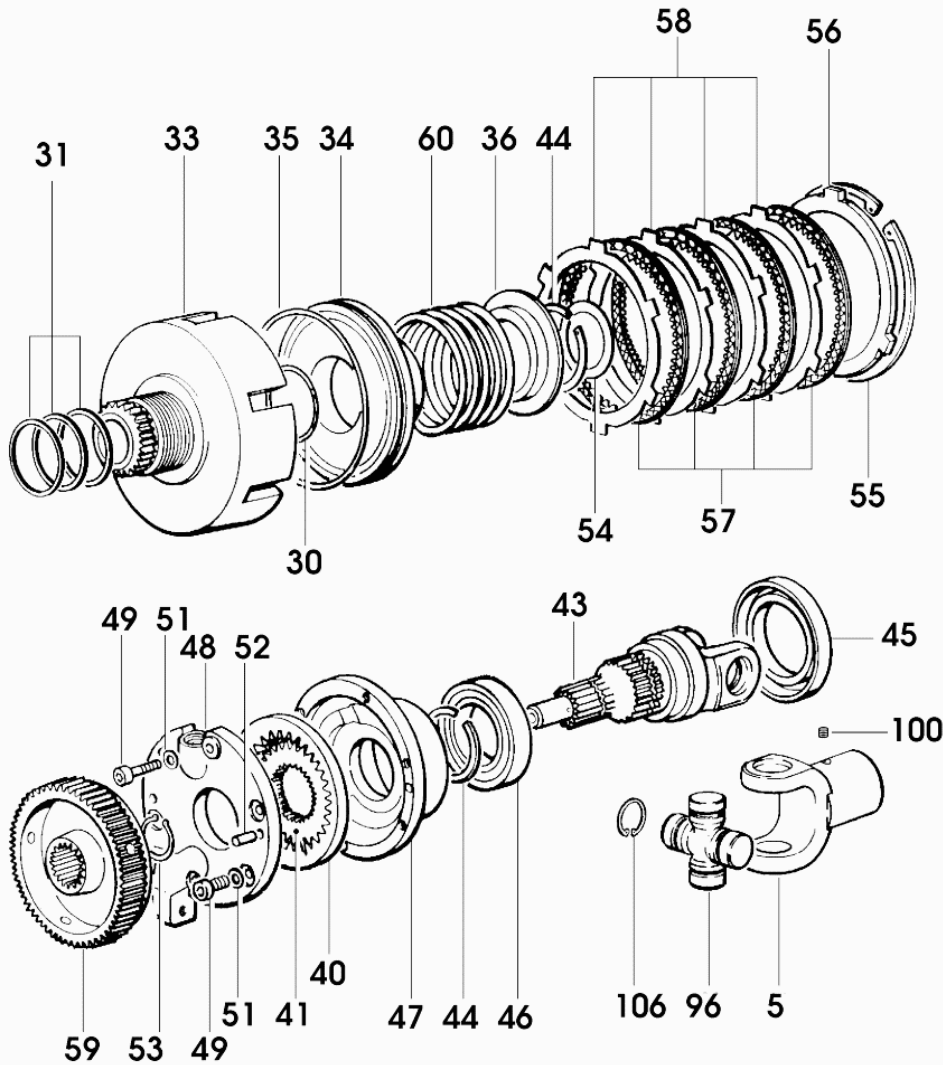
1	0.008.9583.3	1	rod
---	--------------	---	-----



9_C1359_81_0-A-001

Section: M0 - FRONT PTO
P.T.O. FRONT

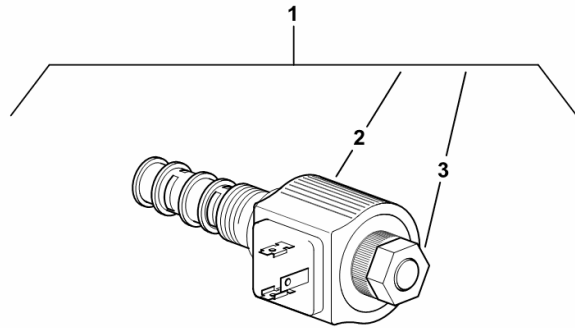
Fig.	Code	QTY	Name
5	0.008.8345.0/10	1	sleeve
30	2.1532.133.0	1	'o' ring 53.64x2.62
31	2.1569.109.0	3	gasket 46x50x2
33	0.275.3910.0/50	1	body
34	0.255.3938.0/40	1	piston
35	2.1539.064.0	1	'o' ring 120.33x2.62
36	0.255.3933.0	1	disc
40	0.008.1362.0/10	1	crown wheel Z = 31
41	0.008.1363.0/10	1	pinion z = 25 z = 30
43	0.008.8346.0/30	1	shaft
44	2.1420.016.0	1	circlip a 40
45	2.1520.229.0	1	oil seal 55 x 80 x 10
46	2.2030.009.0	1	ball bearing 40x68x15
47	0.008.1361.0/10	1	pump casing
48	0.008.2669.0/20	1	cover
49	2.0312.106.2	6	screw m 6 p.1 x 20
51	2.1480.012.1	6	washer 6, d128
52	2.1651.507.0	2	pin 6 x 16
53	2.1410.009.1	1	circlip 24
54	2.1599.415.0	1	snoulder 35x52x1
55	2.1419.035.1	1	circlip 127
56	0.255.3969.0/10	1	disc
57	0.255.3970.2	4	disc
58	0.255.3936.0	4	disc
59	0.445.3932.0/20	1	hub
60	2.4019.373.1	1	spring 79.5x61.5x6.5
96	0.146.4632.4/10	1	universal joint
100	2.3139.011.1	1	grain 1/8" gas
106	2.1499.012.1/10	4	circlip Ø 24



011_9177_4_30_C

Section: M0 - FRONT PTO
SOLENOID VALVE

Fig.	Code	QTY	Name
1	2.3729.400.0/20	1	electro valve
2	0.010.3140.0	1	coil
3	0.010.3140.1	1	ring nut



2_3729_400_0_20

DORADO 66

Section: H0 - HYDRAULIC AND PNEUMATIC SYSTEM|

Ref.: H0.01.8 (1)

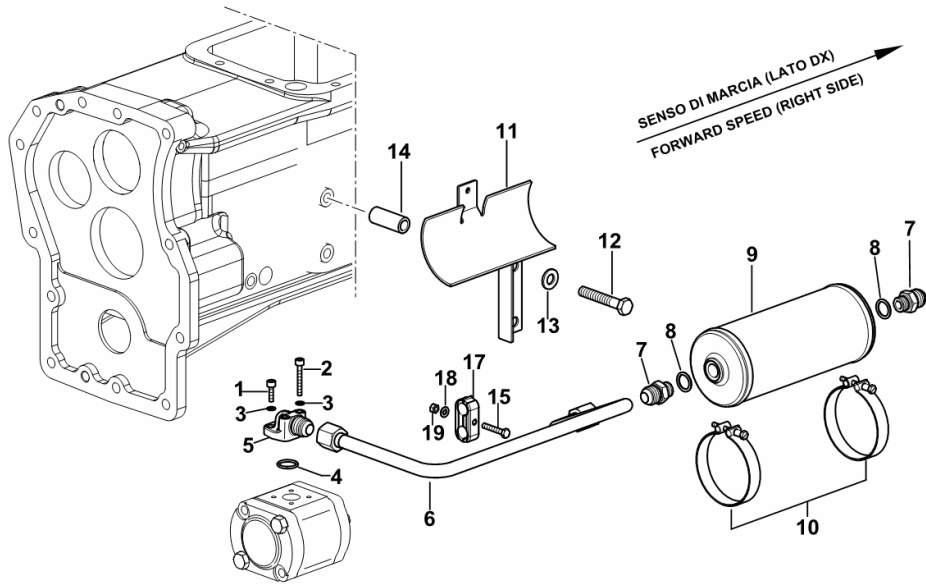
POWER STEERING OIL FEED HYDRAULIC SYSTEM

Fig.	Code	QTY	Name
------	------	-----	------

Notes:

[DORADO 66 2WD] [DORADO 66 4WD] 1356 <-

1	2.0312.106.2	2	screw m 6 p.1 x 20
2	2.0312.114.2	2	screw m 6 p.1x40
3	2.1480.012.2	4	washer 6, d128
4	2.1531.052.0	1	'o' ring 20.29 x 2.62
5	0.008.9626.0	1	pipe fitting
6	0.013.5498.3	1	tube
7	2.3261.010.2	2	pipe fitting m 18 p.1.5 - 7/8" 14
8	2.1560.014.0	2	gasket 18.2 x 24 x 1.5
9	0.010.8872.0/20	1	filter
10	0.164.8157.3/20	2	hose clip Ø 97
11	0.013.5483.2	1	bracket
12	2.0112.423.2	2	screw m 12 p.1.75 x 70
13	2.1310.007.2	2	flat washer 13.5
14	2.1579.935.2	2	spacer
15	2.0112.013.2	1	screw m 6 p.1 x 35
17	2.3321.020.0	1	collar Ø 16
18	2.1310.002.2	1	washer 6.6, d125
19	2.1011.103.2	1	nut m 6 p.1



9_C1382_06_0-A-001

DORADO 66

Section: H0 - HYDRAULIC AND PNEUMATIC SYSTEM|

Ref.: H0.01.12 (2)

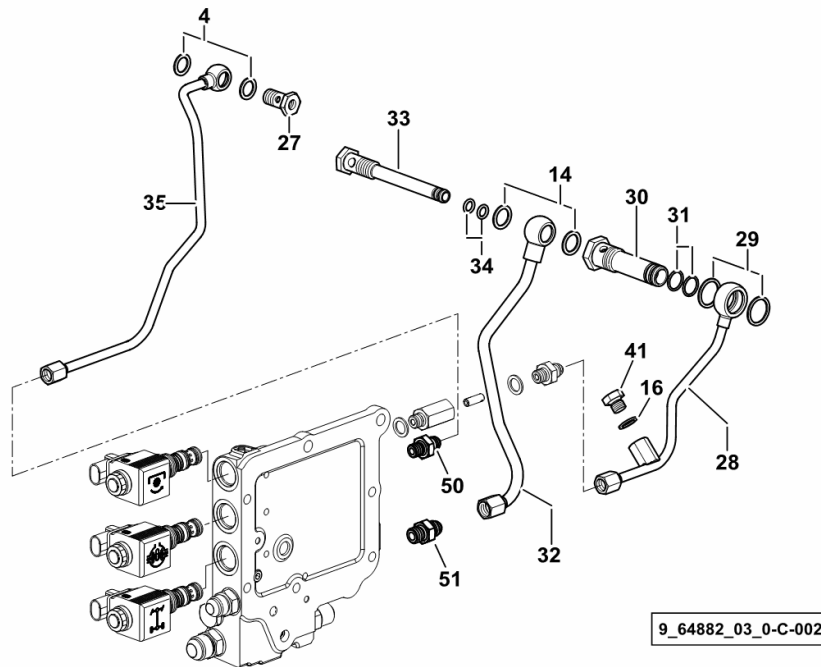
OIL CONTROL VALVES HOUSING PIPES

Fig.	Code	QTY	Name
------	------	-----	------

Notes:

[DORADO 66 2WD] -> 1361 [DORADO 66 4WD] -> 1361

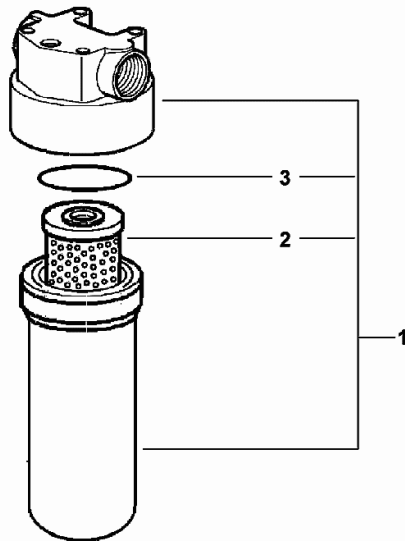
4	2.1560.010.0	2	gasket 14.2 x 20 x 1.5
14	2.1560.012.0	2	gasket 16.2 x 22 x 1.5
16	2.1560.008.0	1	gasket 12.2 x 18
27	2.3335.006.2	1	pipe union m 14 p.1.5x24
28	0.009.9749.3/40	1	tube
29	2.1560.017.0	2	gasket 22.2 x 27
30	0.009.9746.0/40	1	pipe fitting
31	2.1531.039.0	2	'o' ring 16
32	0.009.9748.3/30	1	tube
33	0.009.9745.0/20	1	pipe fitting
34	2.1531.016.0	2	ring 8.74 x 1.78
35	0.009.9747.3/30	1	tube
41	2.3110.402.1	1	plug m 12 p.1.5x10
50	2.3249.149.2	1	pipe fitting M/M 1/2 JIC-M12
51	2.3249.159.2	1	pipe fitting M/M 9/16JIC-M14



9_64882_03_0-C-002

DETAILS OF OIL FILTER

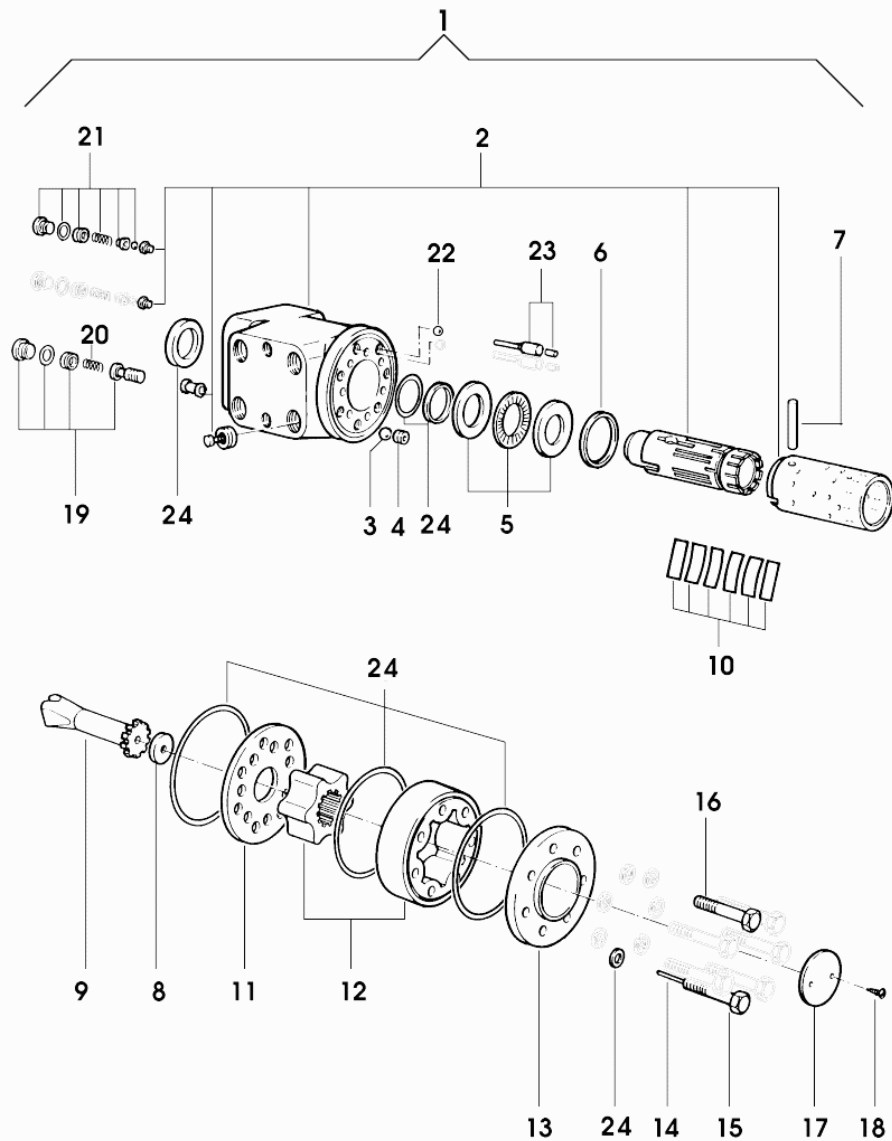
Fig.	Code	QTY	Name
1	2.4419.490.0/30	1	filter 8 " 40 bar - PALL
2	2.4419.491.0	1	hydr.oil filter elem - PALL
3	0.010.2427.0	1	'o' ring



2.4419.490.0/30

HYDR. STEERING DISTRIBUTOR PARTS

Fig.	Code	QTY	Name
1	0.009.3141.4/10	1	hydrosteering OSPC 80 OR
2	0.000.0000.1	0	not serviceable
3	0.009.4012.1	1	ball mm 8.5
4	0.009.4014.1	1	plug
5	0.193.6378.0	1	bearing
6	0.009.4015.1	1	ring
7	0.009.4016.1	1	pin
8	0.009.4017.1	1	spacer
9	0.000.0000.1	0	not serviceable
10	0.009.4021.1	1	repair seal set
11	0.009.4022.1	1	plate
12	0.009.4872.0	1	rotor w = 10.4
13	0.009.4024.1	1	cover
14	0.009.4025.1	1	pin
15	0.009.4026.1	1	screw L = 63
16	0.009.4027.1	6	screw L = 35
17	0.009.4028.1	1	small disc
18	0.009.4029.1	2	screw
19	0.009.4030.1	1	valve
20	0.290.6373.1	1	spring 100-105 bar
21	0.193.6380.4	2	valve
22	0.009.4019.1	2	ball mm 3.00
23	0.009.4020.1	2	pin
24	0.003.5059.3	1	seal ring kit



009_3141_4_10

DORADO 66

Section: H0 - HYDRAULIC AND PNEUMATIC SYSTEM|

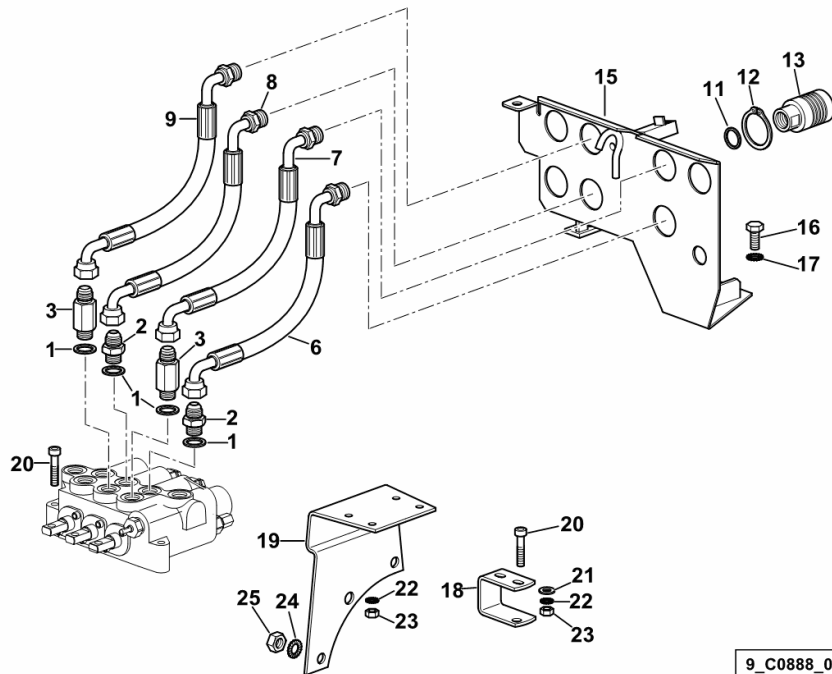
Ref.: H0.07.4 (1)

AUXILIARY CONTROL VALVE SYSTEM

Fig.	Code	QTY	Name
------	------	-----	------

Notes:

[DORADO 66 2WD] [DORADO 66 4WD]



1	2.1560.014.0	9	gasket 18.2 x 24 x 1.5
2	2.3261.009.2	2	pipe fitting m 18 p.1.5-3/4"
3	2.3339.346.2/10	2	pipe fitting m 18 p.1.5-3/4"
6	0.009.7415.3/20	1	tube mm 385
7	0.009.7416.3/20	1	tube mm 440
8	0.009.7417.3/10	1	tube mm 305
9	0.009.7418.3/10	1	tube mm 360
11	2.1560.054.0	4	gasket 21 x 26
12	2.1410.015.7	8	circlip 38
13	0.98309.50.3/10	4	coupling ☞ 0.98309.50.3/10
15	0.013.7723.2	1	plate
16	2.0112.309.2	3	screw m 10 p.1.5 x 25
17	2.1470.006.2	3	lock washer 10
18	0.009.7942.0/20	1	support
19	0.009.7926.0/10	1	support
20	2.0312.214.2	3	screw m 8 p.1.25 x 40
21	2.1310.004.2	1	flat washer 8.5
22	2.1470.004.2	3	washer 8
23	2.1011.105.2	3	nut m 8 p.1.25
24	2.1470.007.2	2	lock washer 12
25	2.1011.422.2	2	nut m 12 p.1.25

9_C0888_00_0-A-001

DORADO 66

Section: H0 - HYDRAULIC AND PNEUMATIC SYSTEM|

Ref.: H0.09.3 (1)

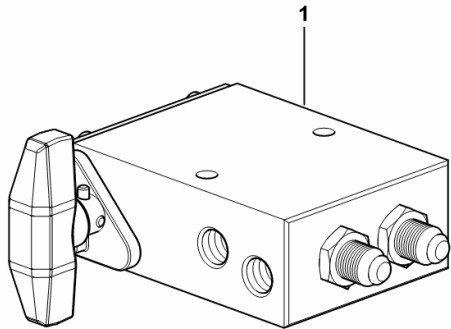
FLOW CONTROL VALVE

Fig.	Code	QTY	Name
------	------	-----	------

Notes:

[DORADO 66 2WD] [DORADO 66 4WD]

1	0.445.4351.4/30	1	valve
---	-----------------	---	-------



9_49066_12_0-A-001

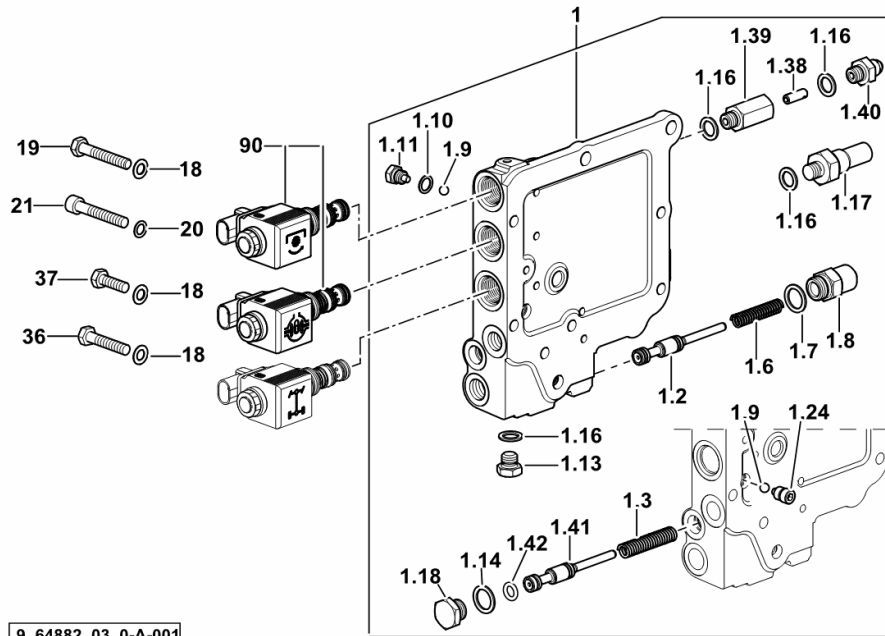
OIL FLOW CONTROL VALVE CASING

Fig.	Code	QTY	Name
------	------	-----	------

Notes:

[DORADO 66 2WD] -> 1361 [DORADO 66 4WD] -> 1361

1	0.011.6761.4/40	1	valve
1.2	0.012.8814.0	1	slider
1.3	2.4019.431.1/30	1	spring 6.9x11.3x2.2x64
1.6	2.4019.428.1	1	spring 10.4x7.2x1.6
1.7	2.1560.014.0	1	gasket 18.2 x 24 x 1.5
1.8	2.3199.257.2/10	1	plug m 18 p.1.5
1.9	2.2810.002.0	2	ball mm 6.350
1.10	2.1560.005.0	1	gasket 10.2 x 14
1.11	2.3199.252.2	1	plug m 10 p.1.5
1.13	2.3110.402.2	1	plug m 12 p.1.5
1.14	2.1560.012.0	1	gasket 16.2 x 22 x 1.5
1.16	2.1560.008.0	4	gasket 12.2 x 18
1.17	2.7099.750.0/10	1	pressure switch 11 Bar
1.18	2.3110.404.2	1	plug m 16 p.1.5
1.24	2.3199.268.2	1	plug m 10 p.1.25
1.38	0.010.1827.0/10	1	ferrule
1.39	0.010.1994.0	1	pipe fitting
1.40	2.3339.728.2	1	pipe fitting
1.41	0.015.0236.0	1	slider
1.42	2.1531.016.0	1	ring 8.74 x 1.78
18	2.1470.004.2	4	washer 8
19	2.0112.219.2	2	screw m 8 p.1.25x50
20	2.1480.014.1	1	washer 8
21	2.0312.216.2	1	screw m 8 p.1.25x50
36	2.0112.215.2	1	screw m 8 p.1.25 x 40
37	2.0112.209.2	1	screw m 8 p.1.25 x 25
90	2.3729.697.0/20	2	electro valve 13V - 20W ☞ 2.3729.697.0/20



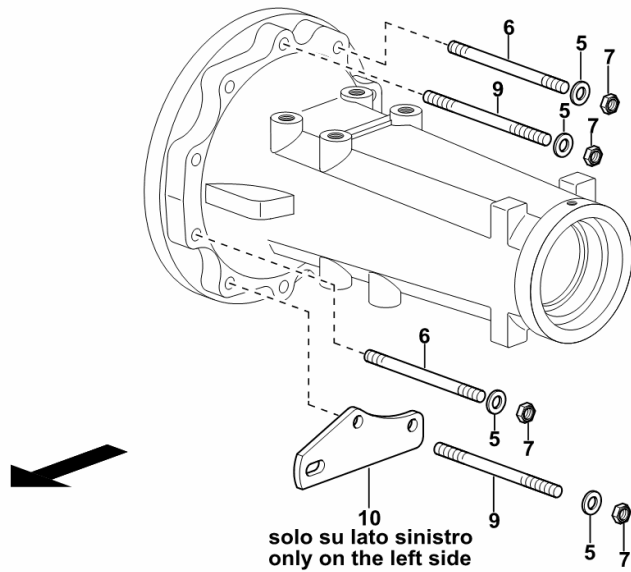
Section: E0 - REAR AXLE
REAR AXLE - MOUNTINGS

Fig.	Code	QTY	Name
------	------	-----	------

Notes:

[DORADO 66 2WD] [DORADO 66 4WD]

5	2.1475.004.7	22	washer 13 x 24
6	2.0432.281.7	4	stud bolt m 12 p.1.75 / p. 1.25 x 160
7	2.1011.422.2	22	nut m 12 p.1.25
9	2.0432.282.7	16	stud bolt m 12 p.1.75 / p. 1.25 x 170
10	0.018.2704.0	1	support LEFT-HAND SIDE



9_64844_00_0-A-001

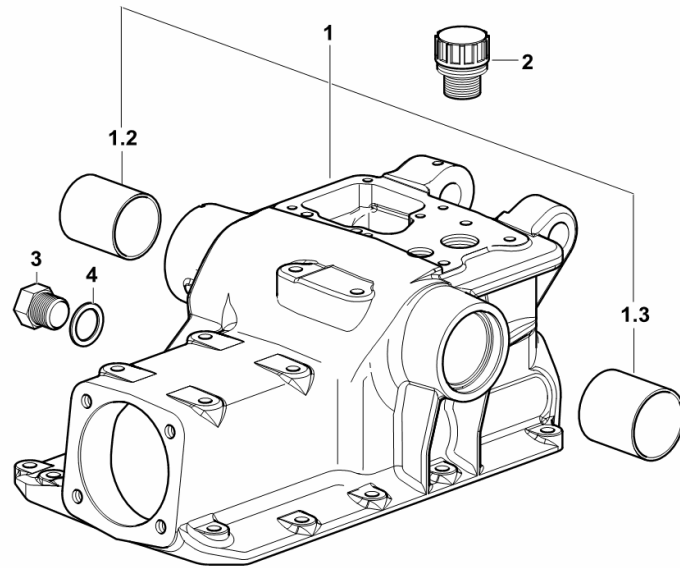
Section: R0 - REAR LIFT
POWER-LIFT CASE

Fig.	Code	QTY	Name
------	------	-----	------

Notes:

[DORADO 66 2WD] [DORADO 66 4WD]

1	0.011.2299.3	1	hydraulics housing
1.2	2.1555.819.0	1	bushing 55x50x60
1.3	2.1555.820.0	1	bushing 60x55x60
2	2.3199.255.0	1	plug
3	2.3110.405.1	1	plug m 18 p.1.5 x 15
4	2.1560.014.0	1	gasket 18.2 x 24 x 1.5



W9_70659_01_0-A-001

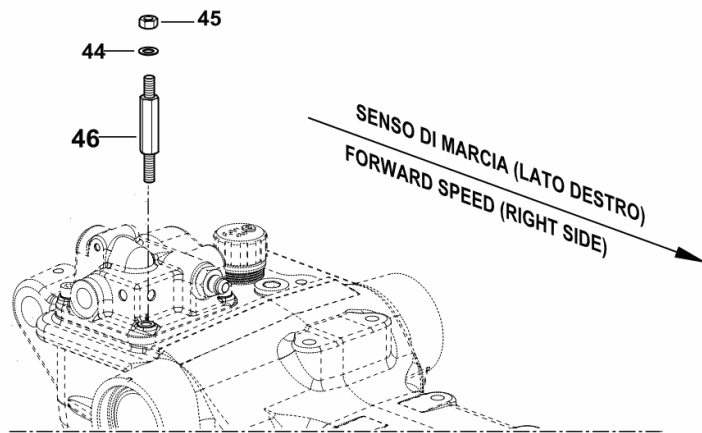
FIXING FOR MECHANICAL LIFT CONTROL VALVE WITH 6-WAY REMOTE VALVE

Fig.	Code	QTY	Name
------	------	-----	------

Notes:

- FOR TYPES WITH MECHANICAL REAR LIFT [DORADO 66 2WD] - FOR TYPES WITH MECHANICAL REAR LIFT [DORADO 66 4WD]

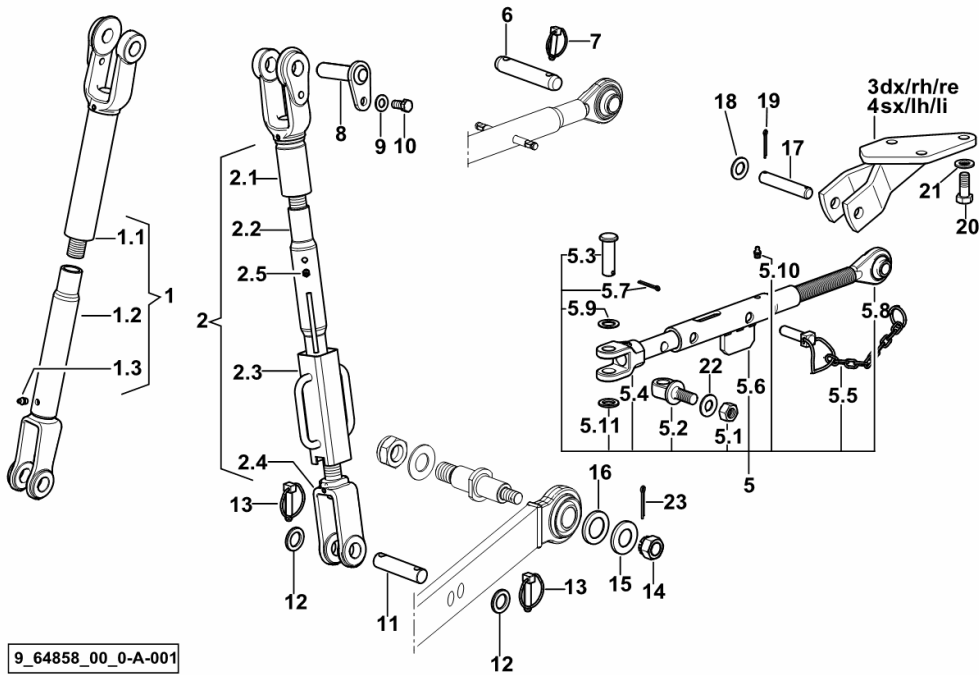
44	2.1470.004.2	1	washer 8
45	2.1011.105.2	1	nut m 8 p.1.25
46	0.011.7197.0	1	small column m8 / m8



9_C0988_25_0-E-001

3-POINT LINKAGE - ADJUSTABLE MECHANICAL TIE ROD

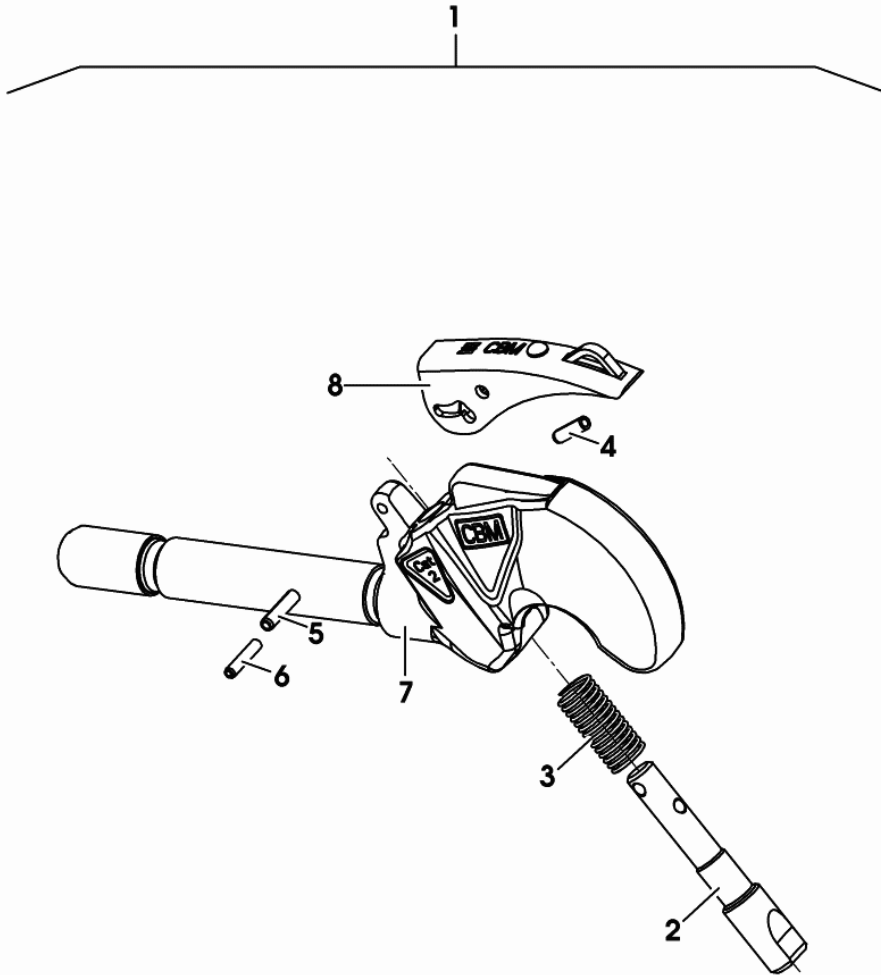
Fig.	Code	QTY	Name
23	2.1690.413.2	2	split pin 4 x 36



9_64858_00_0-A-001

Section: R0 - REAR LIFT
LINKAGE

Fig.	Code	QTY	Name
1	0.014.1412.3	1	rod 2 cat.-CBM-
2	04397651	1	pin
3	0.900.0070.6	1	spring
4	0.900.0070.7	1	roll pin
5	0.900.0070.8	1	pin
6	0.900.0070.9	1	roll pin
7	0.000.0000.1	0	not serviceable
8	04397652	1	lever



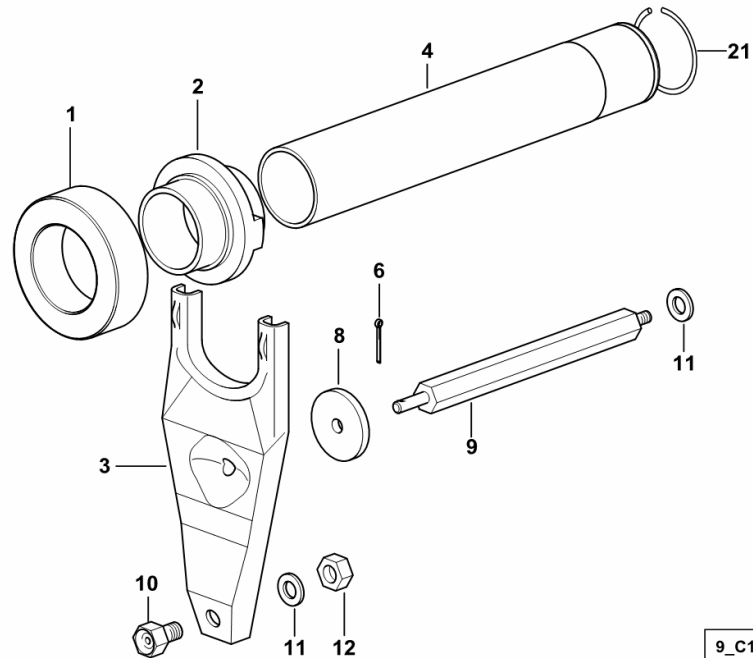
0_014_1412_3

CLUTCH CONTROL

Fig.	Code	QTY	Name
------	------	-----	------

Notes:

- FOR TYPES W/O H-M-L- (POWERSHIFT) W/O OVERSPEED [DORADO 66 2WD] -> 1257 - FOR TYPES W/O H-M-L- (POWERSHIFT) W/ OVERSPEED [DORADO 66 2WD] -> 1257 - FOR TYPES W/O H-M-L- (POWERSHIFT) W/ OVERSPEED [DORADO 66 4WD] -> 1257 - FOR TYPES W/O H-M-L- (POWERSHIFT) W/O OVERSPEED [DORADO 66 4WD] -> 1257



9_C1265_00_0-A-001

1	2.2999.475.0	1	bearing 55x90x22
2	0.255.6533.0/30	1	sleeve
3	0.009.7022.0/10	1	fork
4	0.013.9852.0/10	1	tube
6	2.1690.206.2	1	split pin 2x16
8	2.1599.496.0/10	1	snoulder 8x40x5
9	0.013.7196.0	1	pin
10	2.0399.202.7/10	1	screw m 10 p1.5x16
11	2.1475.003.2	2	washer 10
12	2.1011.106.2	1	nut m 10 p.1.5
21	2.1420.018.1	1	circlip 45

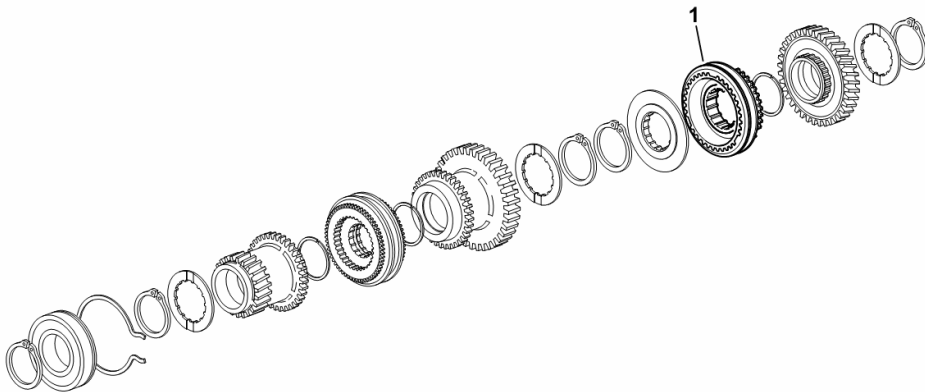
SYNCHRONISERS

Fig.	Code	QTY	Name
------	------	-----	------

Notes:

- FOR 5-SPEED GEARBOX WITH UNDERDRIVE [DORADO 66 2WD] - FOR 5-SPEED GEARBOX WITH UNDERDRIVE [DORADO 66 4WD]

1	0.009.6826.4	2	lock synchronizer 62 ☞ 0.009.6826.4
---	--------------	---	--



9_C1033_02_0-A-001

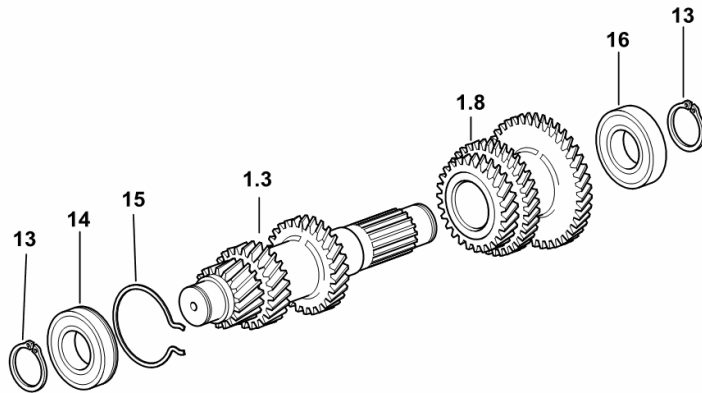
5-SPEED GEARBOX PRIMARY SHAFT

Fig.	Code	QTY	Name
------	------	-----	------

Notes:

- FOR TYPES W/ H-M-L- (POWERSHIFT) W/O OVERSPEED [DORADO 66 2WD] - FOR TYPES W/ H-M-L- (POWERSHIFT) W/O OVERSPEED [DORADO 66 4WD]

1.3	0.013.1616.0	1	main shaft Z = 19 / 23 / 29
1.8	0.013.1622.0	1	gear Z = 27-35-41
13	2.1410.014.1	2	circlip 35
14	2.2999.114.0	1	ball bearing 35 x 72 x 17
15	2.1499.124.1/10	2	circlip 68 x 1.7
16	2.2045.011.0	1	ball bearing 35 x 72 x 17



9_C1233_00_0-A-001

5-SPEED GEARBOX SECONDARY SHAFT

9_B6133_00_0-B-001

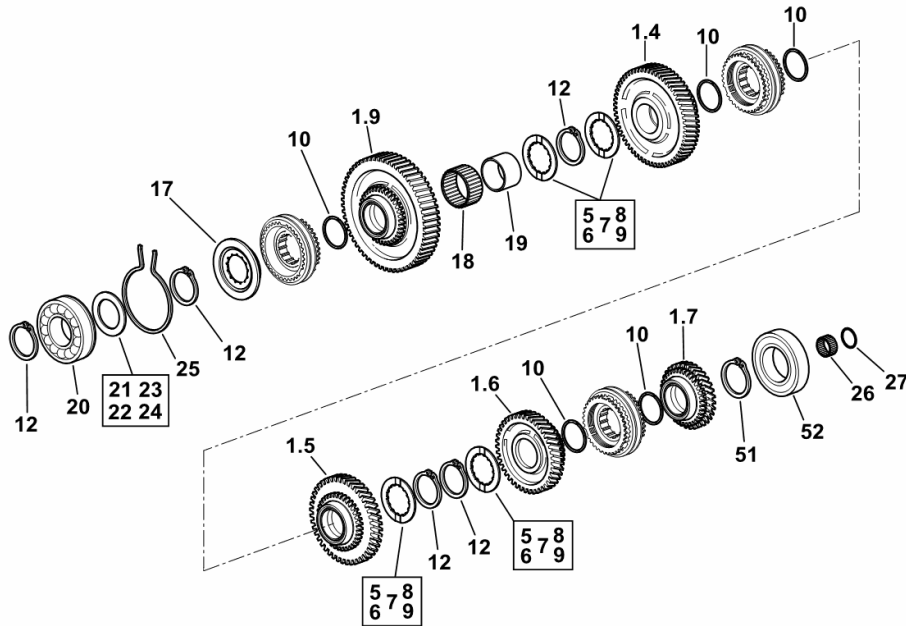


Fig.	Code	QTY	Name
------	------	-----	------

Notes:

- FOR TYPES WITH OVERSPEED H-M-L (POWERSHIFT) [DORADO 66 2WD] - FOR TYPES WITH OVERSPEED H-M-L (POWERSHIFT) [DORADO 66 4WD]

1.4	0.013.1651.0	1	gear Z = 49
1.5	0.013.1650.0	1	gear Z = 43
1.6	0.013.1649.0/10	1	gear Z = 36
1.7	0.013.1648.0	1	gear Z = 29
1.9	0.008.5107.0/40	1	gear Z = 59
5	0.008.0251.0	1	shim 39 x 64 x 2.65
6	0.010.0629.0	1	shim 39 x 64 x 2.85
7	0.010.0630.0	1	shim 39 x 64 x 3.05
8	0.010.0631.0	1	shim 39 x 64 x 3.25
9	0.010.0632.0	1	shim 39 x 64 x 3.45
10	2.1422.029.7	7	circlip 40 x 1.5
12	2.1410.017.1	6	circlip 42
17	0.010.1523.0/10	1	ring
18	2.2999.271.0	1	roller cage 47 x 55 x 28
19	2.1559.314.0/10	1	bushing 42 x 47 x 30
20	2.2999.336.0/10	1	bearing 42.025 x 90 x 23
21	2.1599.743.0	1	shoulder 42 x 62 x 3.1
22	2.1599.744.0	1	shoulder 42 x 62 x 3.2
23	2.1599.745.0	1	shoulder 42 x 62 x 3.3
24	2.1599.746.0	1	shoulder 42 x 62 x 3.4
25	2.1499.123.1/10	2	circlip 86 x 2.46
26	2.2999.173.0	1	roller cage 23 x 35 x 16.2
27	2.1423.026.7	1	circlip 35 x 1.5
51	2.1410.020.1	1	circlip 50
52	2.2043.014.0	1	ball bearing 50 x 90 x 20

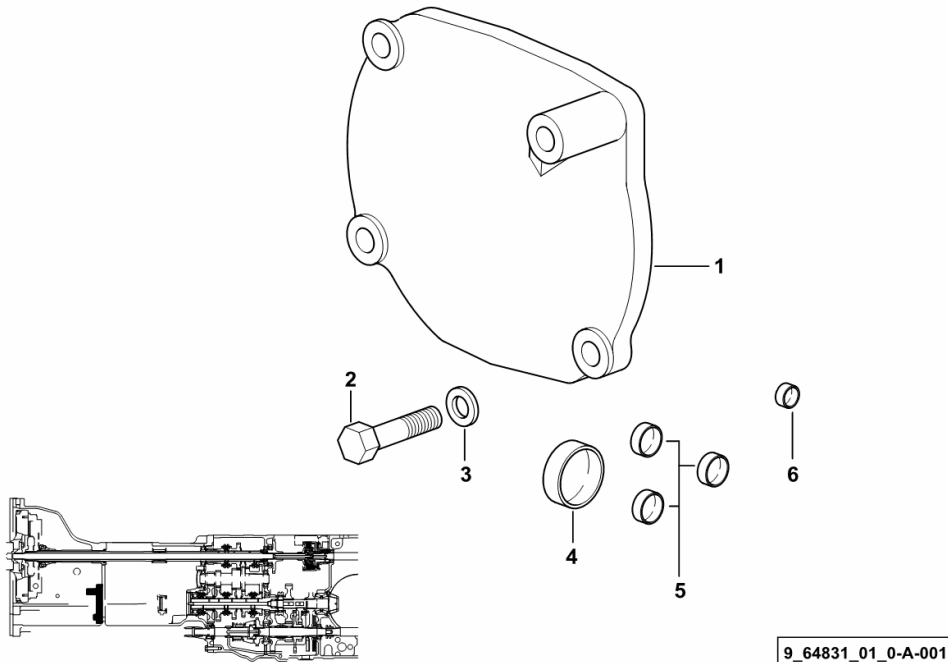
Section: D0 - TRANSMISSION
PLUGS FOR GEARBOX

Fig.	Code	QTY	Name
------	------	-----	------

Notes:

- FOR TYPES WITHOUT H-M-L (POWERSHIFT) [DORADO 66 2WD] - FOR TYPES WITHOUT H-M-L (POWERSHIFT) [DORADO 66 4WD] 1254 <-

1	0.009.3736.0	1	cover
2	2.0112.313.2	3	screw m 10 p.1.5 x 35
3	2.1475.003.2	4	washer 10
4	2.3171.011.4	1	expansion plug 28
5	2.3171.005.4	3	expansion plug 14
6	2.3171.003.4	1	expansion plug 10



9_64831_01_0-A-001

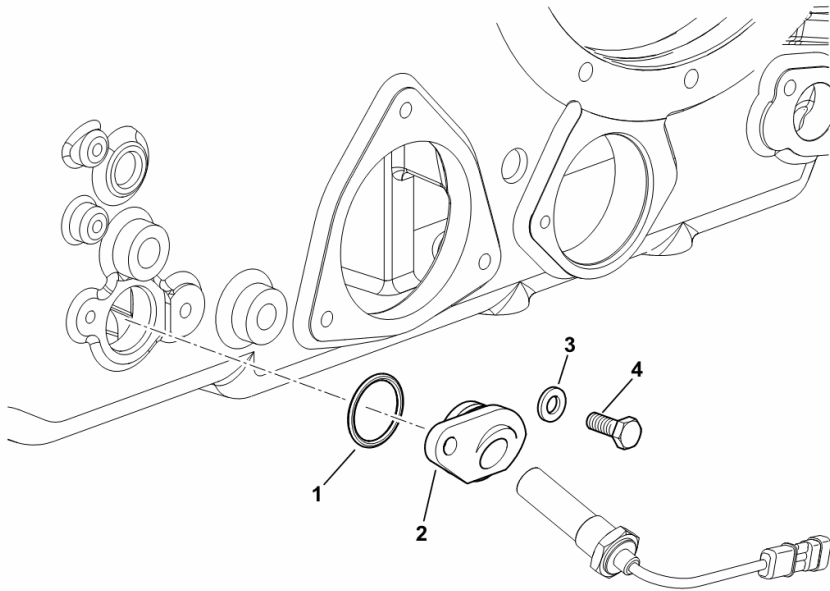
SENSOR BRACKET

Fig.	Code	QTY	Name
------	------	-----	------

Notes:

[DORADO 66 2WD] [DORADO 66 4WD]

1	2.1530.079.0	1	'o' ring 29.82 x 2.62
2	0.013.8097.0	1	support
3	2.0112.207.2	1	screw m 8 p 1.25 x 20
4	2.1475.202.2	1	spring washer 8.4 x 16



9_B6133_04_0-A-001

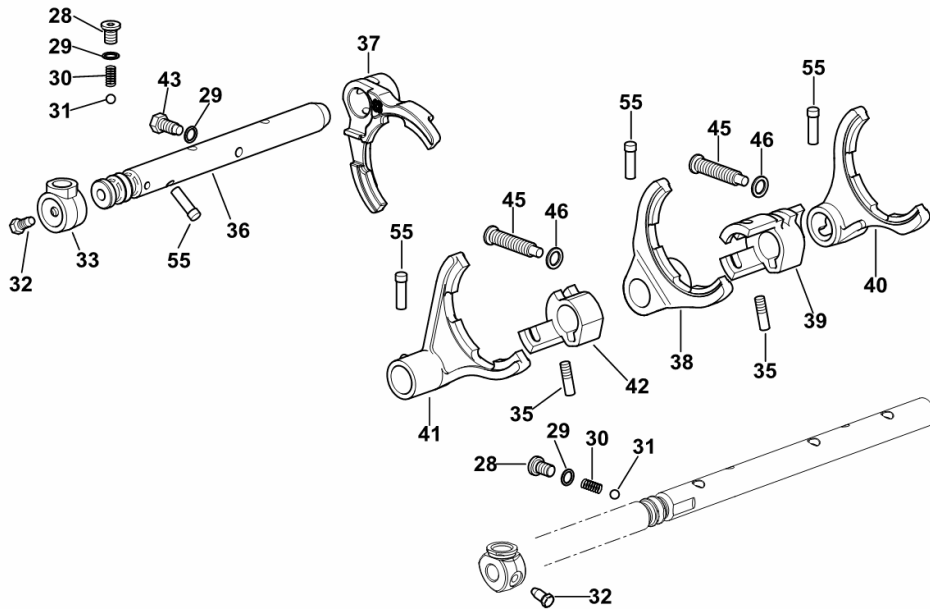
5-SPEED GEARBOX INTERNAL CONTROLS

Fig.	Code	QTY	Name
------	------	-----	------

Notes:

- FOR TYPES WITH OVERSPEED H-M-L (POWERSHIFT) [DORADO 66 2WD] 1166 <- - FOR TYPES WITH OVERSPEED H-M-L (POWERSHIFT) [DORADO 66 4WD] 1166 <-

28	2.3199.238.2	2	plug m 10
29	2.1560.005.0	3	gasket 10.2 x 14
30	2.4019.670.1	2	spring 5 x 8 x 1.5 x 22.5
31	2.2810.004.0	2	ball 5/16"
32	2.0399.019.1	2	screw m 8 p.1 x 16
33	0.008.5226.0/20	1	hub
35	2.0599.086.0/40	2	grain m 8 p.1.25 x 28
36	0.010.0543.0/20	1	rod
37	0.013.2469.0/20	1	fork
			SHUTTLE
38	0.009.6750.0	1	fork # 2 / # 3
39	0.008.5152.0/50	1	hub
40	0.009.7080.0	1	fork # 4 / # 5
41	0.009.6749.0	1	fork # 1
42	0.008.5198.0/40	1	hub
43	2.0119.180.2	1	screw m 10x24
45	2.0399.206.2	2	screw m 12 p.1.75 x 56.5
46	2.1560.008.0	2	gasket 12.2 x 18
55	0.008.5994.0/10	4	pin



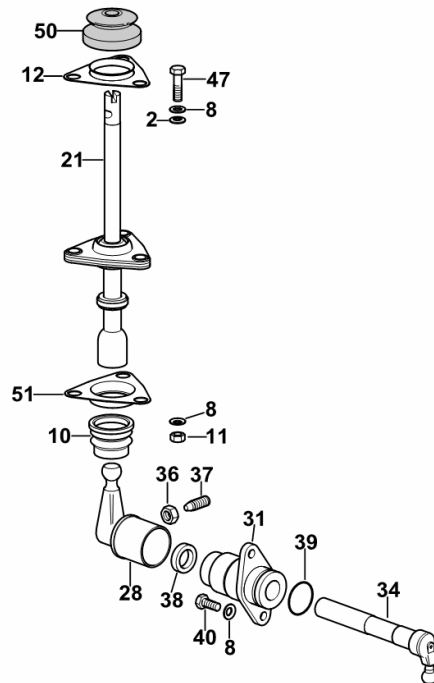
9_B6133_00_0-D-001

Section: D0 - TRANSMISSION
REDUCTION GEAR CONTROL

Fig.	Code	QTY	Name
------	------	-----	------

Notes:

[DORADO 66 2WD] [DORADO 66 4WD] 1294 <-



2	2.1310.004.2	12	flat washer 8.5
8	2.1475.002.2	33	conical washer 8
10	0.007.7692.0/10	4	guard
11	2.1011.105.2	13	nut m 8 p.1.25
12	0.007.6981.0/10	4	support
21	0.007.7687.3/40	1	gear lever
28	0.009.9671.3/10	1	lever
31	0.008.5413.0/10	1	support
34	0.008.5416.0/10	1	lever
36	2.1011.406.2	3	nut m 10 p.1
37	2.0399.050.2	3	screw m 10 p.1 x 30
38	2.1520.006.0	3	oil seal 20 x 30 x 7
39	2.1530.091.0	3	'o' ring 34.60 x 2.62
40	2.0112.207.2	8	screw m 8 p 1.25 x 20
47	2.0112.211.2	9	screw m 8 p.1.25 x 30
50	0.255.6451.0/10	4	bellows
51	0.007.7693.0/10	4	cap-washer

9_64864_00_0-B-001

CLICK HERE TO **DOWNLOAD** THE COMPLETE MANUAL

- Thank you very much for reading the preview of the manual.
- You can download the complete manual from: www.heydownloads.com by clicking the link below



- Please note: If there is no response to CLICKING the link, please download this PDF first and then click on it.

CLICK HERE TO **DOWNLOAD** THE COMPLETE MANUAL