

DORADO 55

ACCESSORIES

GENERAL

4-WAY AUXILIARY DISTRIBUTOR.....	0E.00.1
4-WAY AUXILIARY DISTRIBUTOR WITH MECHANICAL LIFT.....	0E.00.2
4-WAY AUXILIARY DISTRIBUTOR WITH ELECTRONIC LIFT.....	0E.00.3
CONTROLS FOR 4-WAY AUXILIARY SERVICES CONTROL VALVE.....	0E.00.4
6-WAY DISTRIBUTOR EQUIPMENT - WITH MECHANICAL LIFT.....	0E.00.5
6-WAY DISTRIBUTOR EQUIPMENT - WITH ELECTRONIC LIFT.....	0E.00.6
CONTROLS FOR 6-WAY AUXILIARY SERVICES CONTROL VALVE.....	0E.00.7
4 - 6 - WAY DISTRIBUTOR EQUIPMENT.....	0E.00.8
4 - 6 - WAY DISTRIBUTOR EQUIPMENT.....	0E.00.9
OIL REGULATOR CONTROL.....	0E.00.10
PILOTED CHECK VALVE.....	0E.00.11
3 POINT HITCH.....	0E.00.12
3-POINT LINKAGE WITH AUTOMATIC COUPLERS.....	0E.00.14
3-POINT LINKAGE WITH FIXED LIFT RODS.....	0E.00.15
3-POINT LINKAGE WITH FLOATING LIFT RODS.....	0E.00.16
TOWING BAR.....	0E.00.17
FRONT TOWING HITCH.....	0E.00.18
FRONT TOWING HITCH.....	0E.00.19
REAR TOWING HITCH.....	0E.00.20
REAR TOWING HITCH CAT: "D" GRASSI.....	0E.00.21
REAR TOWING HITCH CAT: "D2" GRASSI.....	0E.00.22
REAR TOWING HITCH - CATEGORY "D".....	0E.00.23
REAR TOWING HITCH - CATEGORY "D2".....	0E.00.24
REAR TOWING HITCH (GRASSI) CAT. " C ".....	0E.00.25
REAR TOWING HITCH - EXPORT CH.....	0E.00.26
REAR TOWING HITCH CRAMER.....	0E.00.27
REAR TOWING HITCH.....	0E.00.28
REAR OSCILLATING HITCH.....	0E.00.29
REAR OSCILLATING HITCH.....	0E.00.30
REAR OSCILLATING HITCH.....	0E.00.31
PICK-UP-HITCH.....	0E.00.32
FRONT BALLAST KG. 250.....	0E.00.33
BALLAST LOCK BAR.....	0E.00.34
FRONT WEIGHT CARRIER.....	0E.00.35
FRONT BALLAST n. 2.....	0E.00.36
FRONT BALLAST n. 4.....	0E.00.37
FRONT BALLAST n. 8.....	0E.00.38
P.T.O. GUARD EXPORT GB.....	0E.00.39
P.T.O. GUARD.....	0E.00.40
HYDRAULIC BREAKING FOR TRAILER - EXPORT F.....	0E.00.41

CLICK HERE TO **DOWNLOAD** THE COMPLETE MANUAL

- Thank you very much for reading the preview of the manual.
- You can download the complete manual from: www.heydownloads.com by clicking the link below



- Please note: If there is no response to CLICKING the link, please download this PDF first and then click on it.

CLICK HERE TO **DOWNLOAD** THE COMPLETE MANUAL

CONTROLS FOR 6-WAY AUXILIARY SERVICES CONTROL VALVE

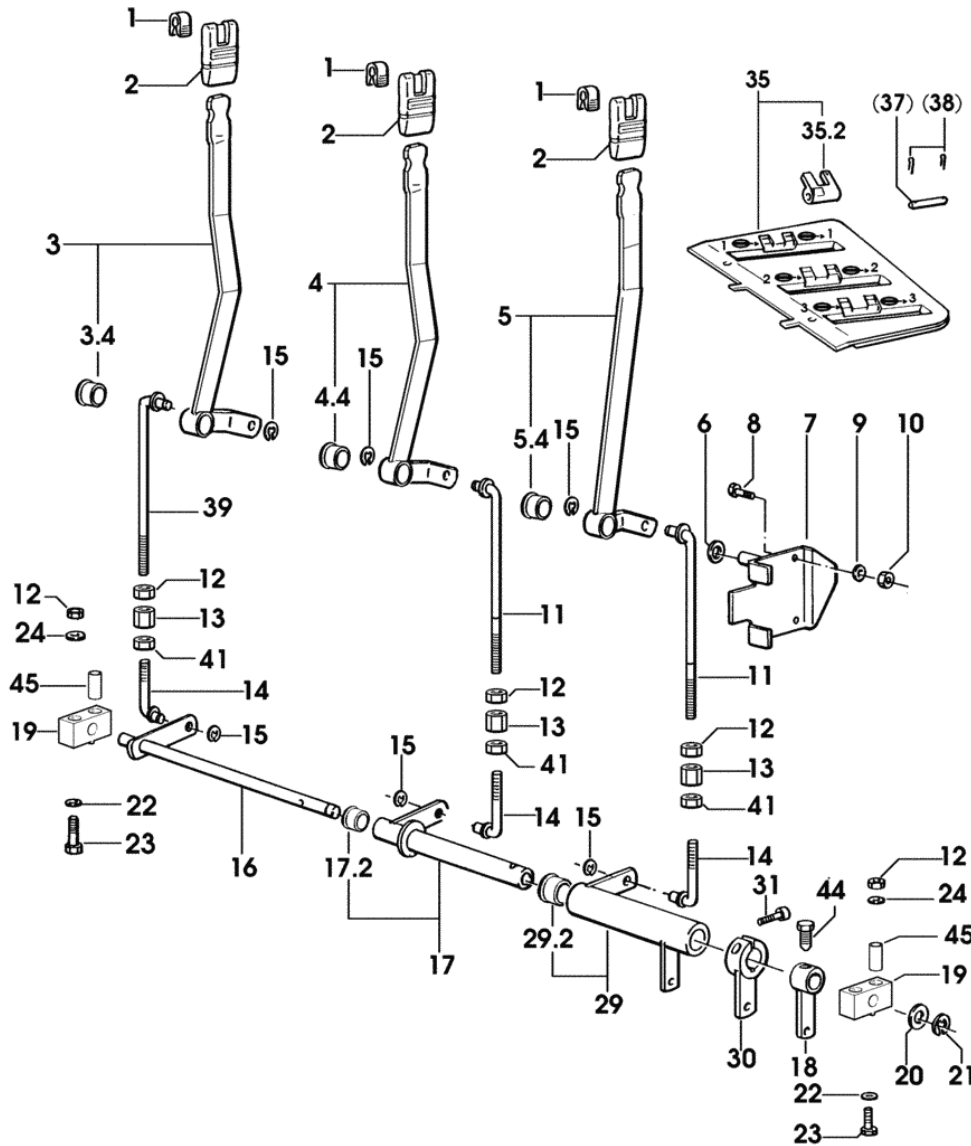
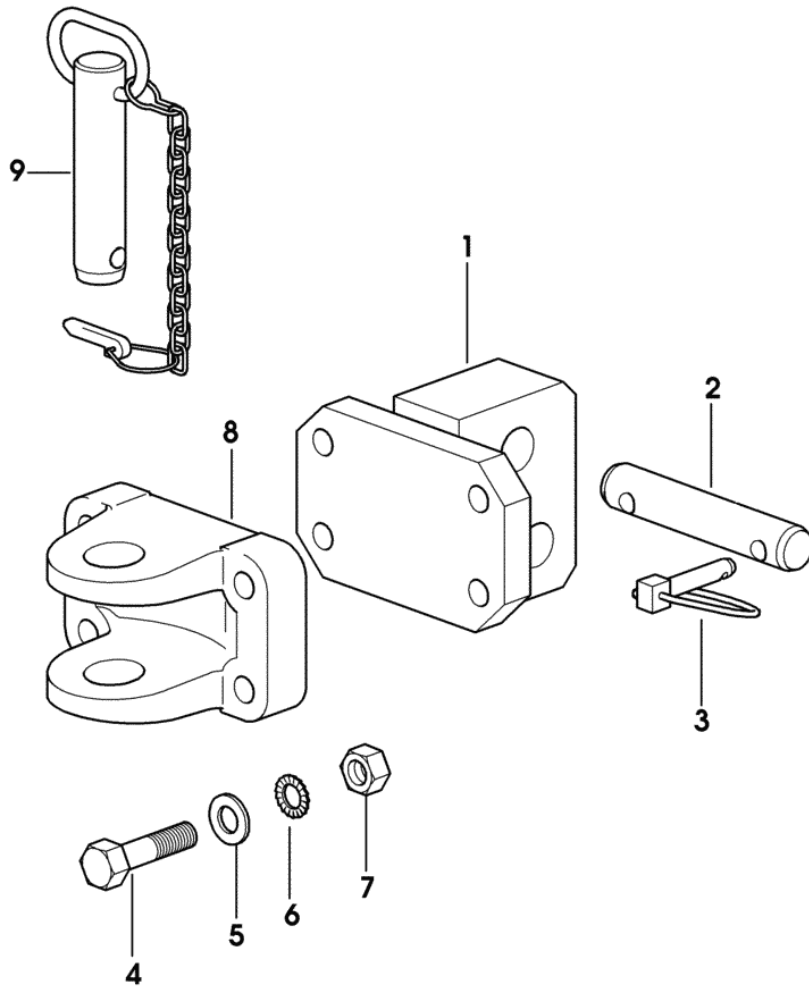


Fig.	Code	QTY	Name
39	0.007.7755.2/10	1	rod
41	2.1019.127.2	3	nut m 8 p.1.25 x 6.8, sx/lh/li
44	2.0399.019.1	1	screw m 8 p.1 x 16
45	2.1549.391.2	4	spacer 8.4x12x25

Section: ACCESSORIES
FRONT TOWING HITCH

Fig.	Code	QTY	Name
1	0.009.3108.2	1	support
2	2.1669.024.2	1	pin 25.4 x 133
3	0.010.9322.4	2	pin Ø 11
4	2.0112.523.2	4	screw m 14 p.2x70
5	2.1310.009.2	4	flat washer 14
6	2.1470.008.2	4	lock washer 14
7	2.1011.108.2	4	nut m 14 p.2
8	0.96309.20.0/20	1	tow hook
9	0.96309.51.3	1	pin Ø 32



9_64852_30_0_0

Section: ACCESSORIES
REAR TOWING HITCH

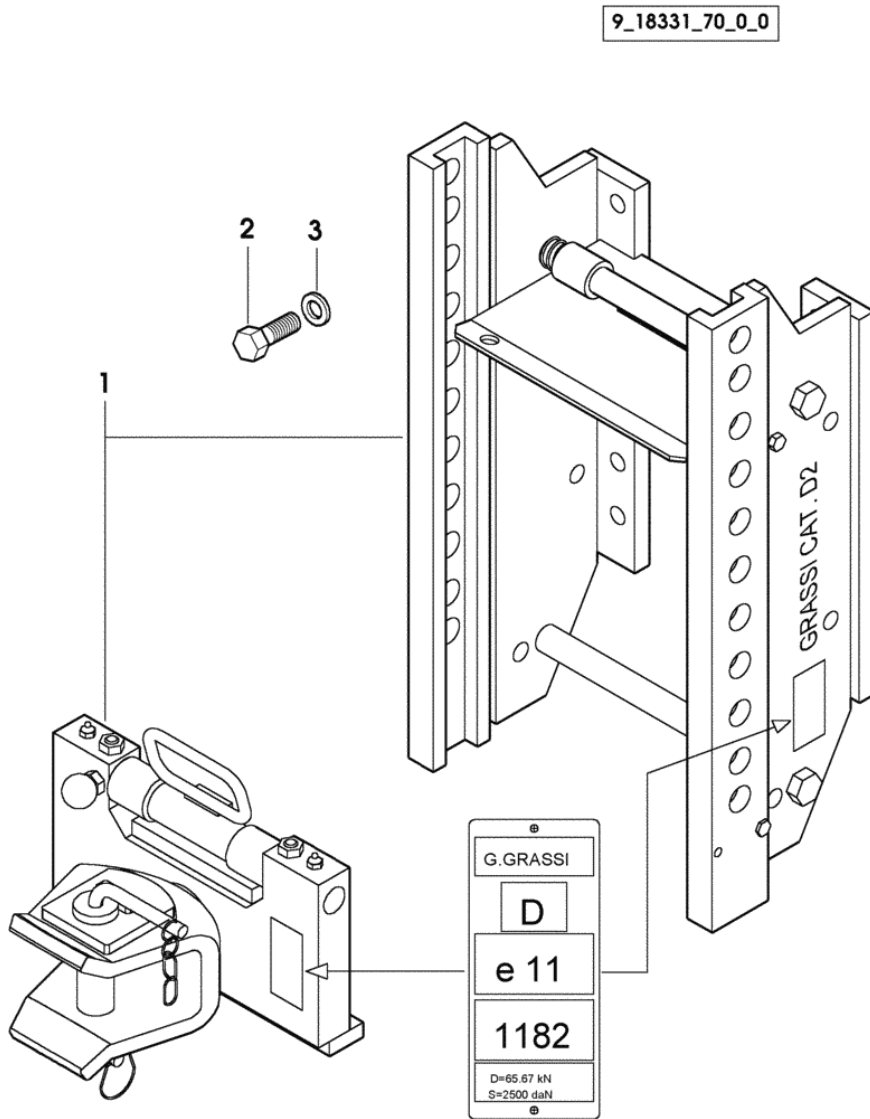
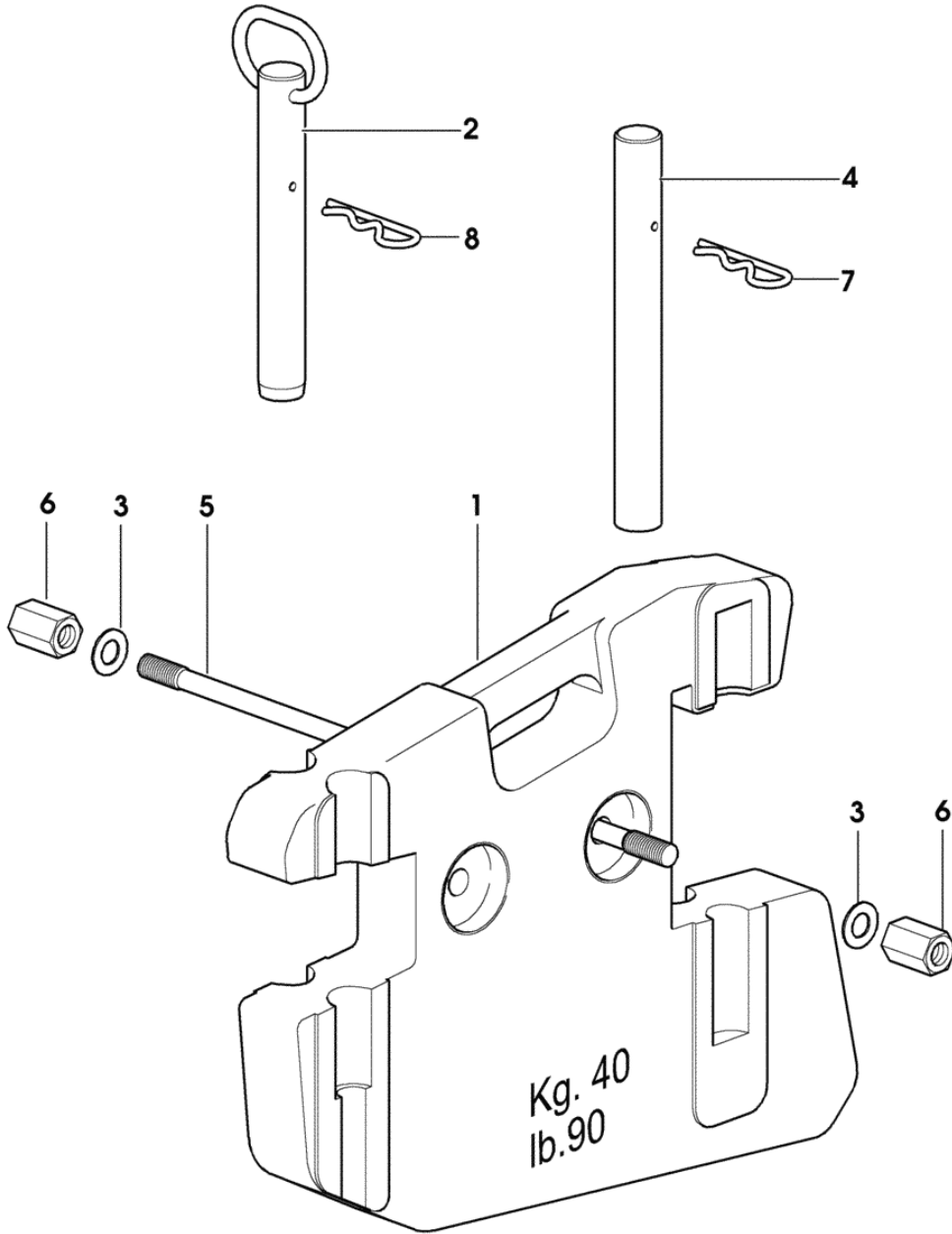


Fig.	Code	QTY	Name
1	0.011.7514.4	1	tow hook GRASSI COMPONENT PARTS SEE COMPONENTS LIST ☞ 0.011.7514.4 ☞ 0E.00.118
2	2.0113.617.2	12	screw m 16 p.2x45
3	2.1475.006.2	12	washer 16

Section: ACCESSORIES
FRONT BALLAST n. 8

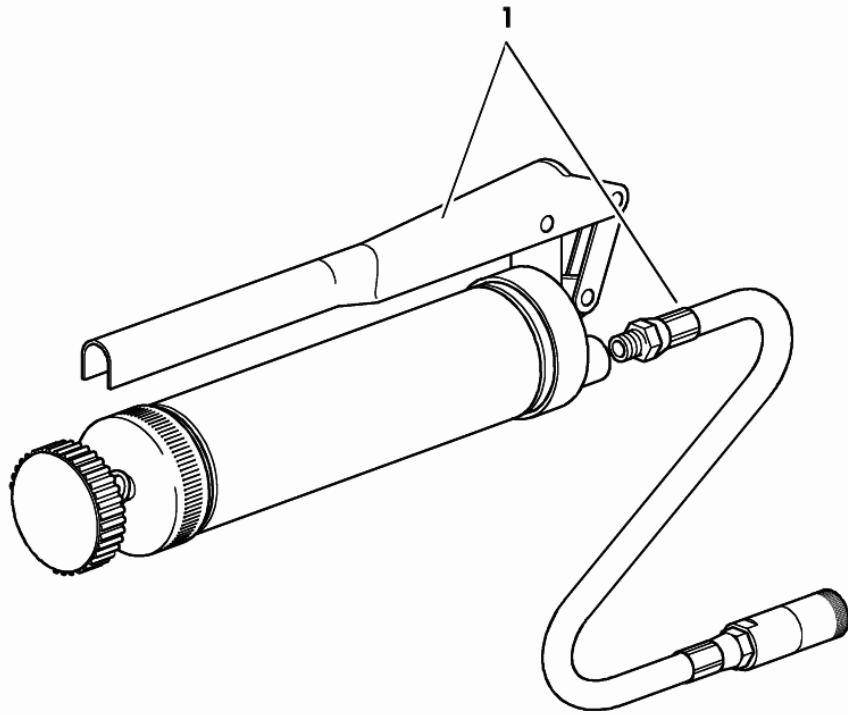
Fig.	Code	QTY	Name
1	0.96929.40.0/20	8	ballast kg 40 / lb 90
2	0.96928.51.2	1	pin
3	2.1310.009.2	4	flat washer 14
4	0.96930.50.0	1	pin mm 28x250
5	0.008.8749.0/10	2	rod
6	2.1099.065.1	4	special nut m 14
7	2.1699.084.2	1	pin Ø 27
8	2.1699.084.2	1	pin Ø 27



9_40552_52_0_0

LUBRICATOR

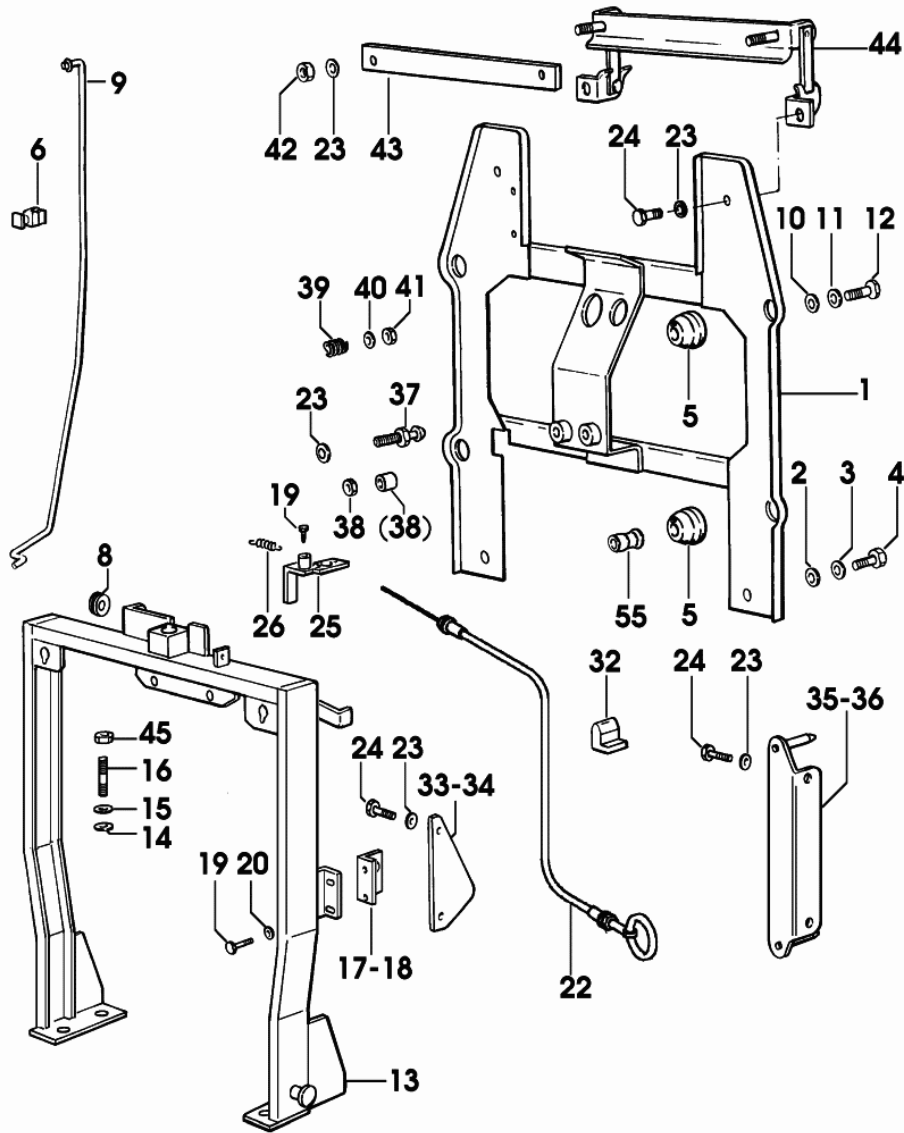
Fig.	Code	QTY	Name
1	0.011.6506.3	1	lubricator



9_59273_01_0_0

Section: BODY WORK
HOOD SUPPORT

Fig.	Code	QTY	Name
40	2.1310.028.2	6	flat washer 4
41	2.1120.001.2	6	selflock nut m 4 p.0.7
42	2.1011.105.2	2	nut m 8 p.1.25
43	0.009.7808.0	1	bracesupport
44	0.009.7793.4/10	1	support
45	2.1011.106.2	4	nut m 10 p.1.5
55	0.011.7899.0	4	bushing

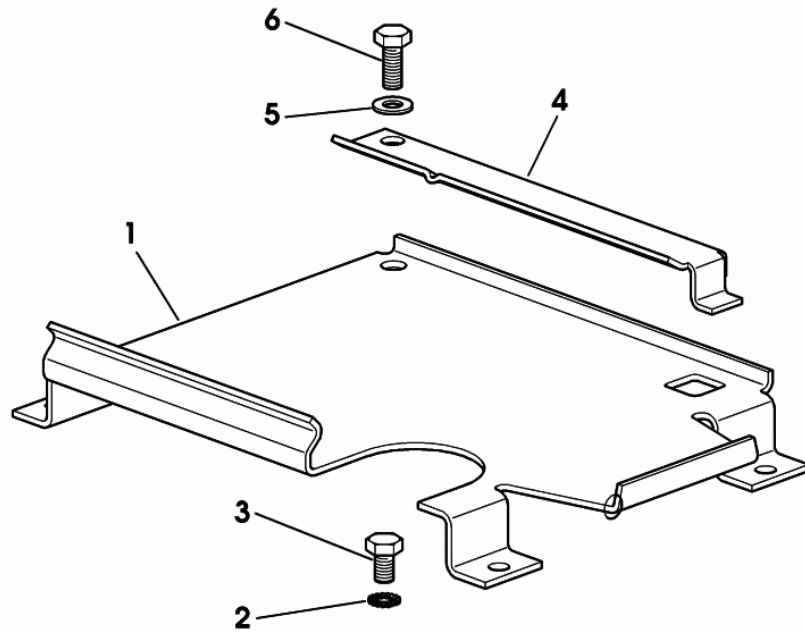


9_64872_00_0_A

Section: BODY WORK

BATTERY SUPPORT WITH FRONT PTO

Fig.	Code	QTY	Name
1	0.010.0044.2/10	1	battery support
2	2.1470.004.2	4	washer 8
3	2.0112.203.2	4	screw m 8 p.1.25 x 12
4	0.010.0045.0/10	1	bracket
5	2.1310.004.2	2	flat washer 8.5
6	2.0112.211.2	1	screw m 8 p.1.25 x 30



9_64873_05_0_0

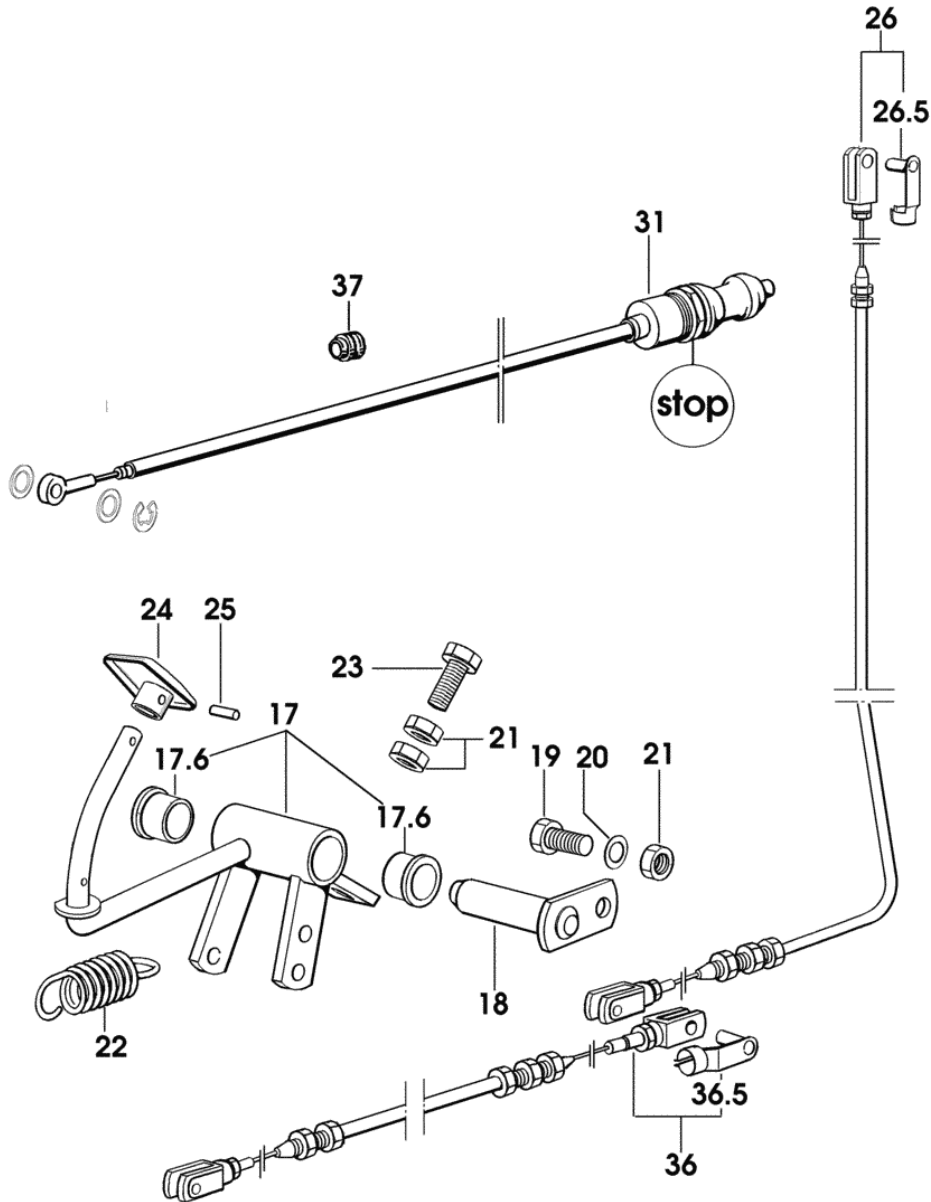
CONTROL PEDAL FOR MECHANICAL THROTTLE

Fig.	Code	QTY	Name
------	------	-----	------

Notes:

X DORADO 55 -> (...) X DORADO 65 X DORADO 75

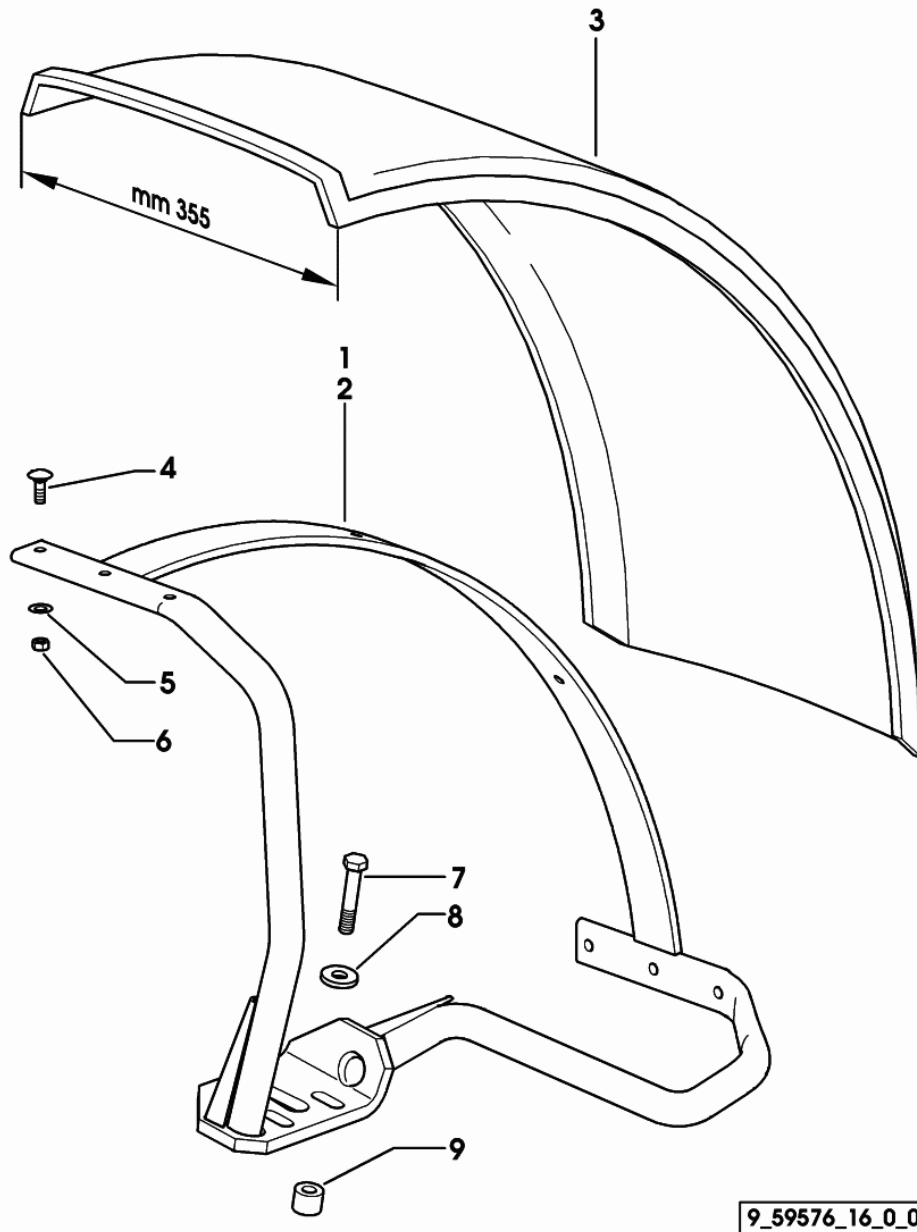
17	0.009.6958.3/50	1	accel. pedal
17.6	2.1559.243.0	2	bushing 12x16x15
18	0.009.6963.3	1	pin
19	2.0112.207.2	1	screw m 8 p 1.25 x 20
20	2.1470.004.2	1	washer 8
21	2.1011.105.2	3	nut m 8 p.1.25
22	2.4049.071.2	1	spring 19 x 52 x 2
23	2.0112.213.2	1	screw m 8 p.1.25 x 35
24	0.007.5575.2/20	1	accel. pedal
25	2.1630.409.9	1	roll pin 4x18
26	0.009.6975.3/20	1	cable mm 955
26.5	2.1673.005.2	2	pin
31	0.007.7306.3/40	1	cable
36	0.009.6976.3/10	1	cable mm 905
36.5	2.1673.004.2	2	pin
37	2.6569.018.0	1	wire guide 20 x 8 x 15



Section: BODY WORK

4WD - FRONT MUDGUARDS mm 355

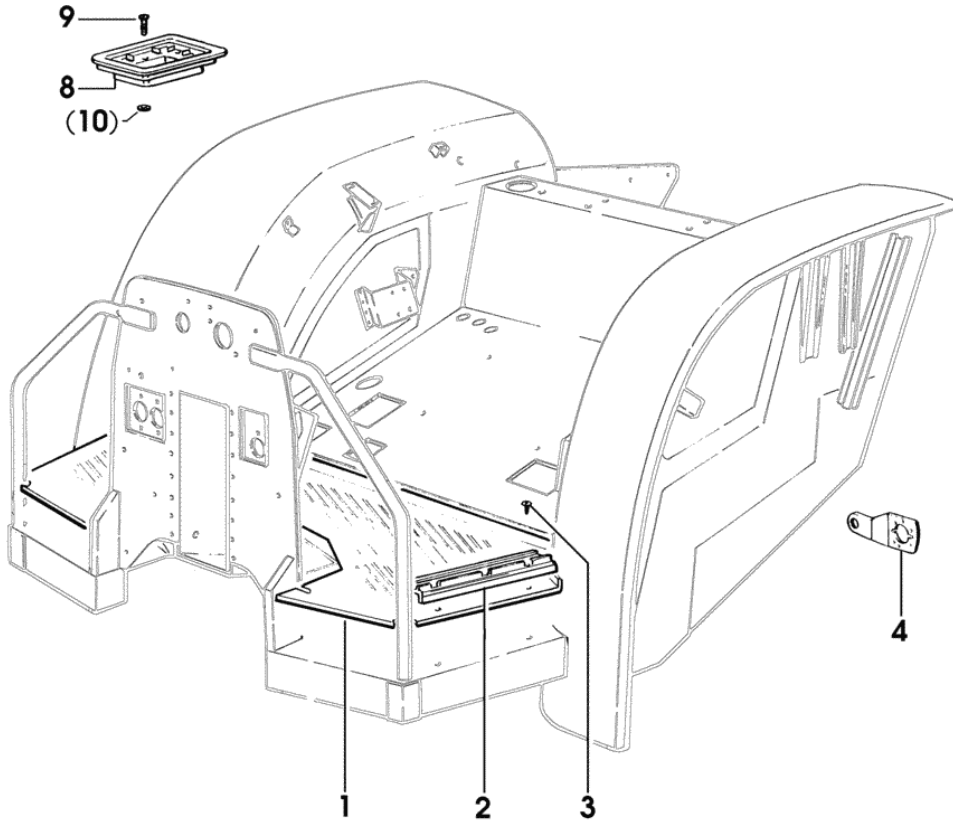
Fig.	Code	QTY	Name
1	0.009.9499.2	1	support sx/lh/li
2	0.009.9500.2	1	support dx/rh/re
3	0.255.7632.0/10	2	fender mm 355
4	2.0029.503.6	16	screw m 8 x 25
5	2.1470.004.2	16	washer 8
6	2.1011.105.2	16	nut m 8 p.1.25
7	2.0112.422.2	6	screw m 12 p.1.75 x 65
8	2.1599.397.0	6	washer 12.5x32x5
9	2.1579.900.2	6	spacer 12x25x19



Section: BODY WORK
MAT FOR PLATOFRM

Fig.	Code	QTY	Name
1	0.010.0004.0/30	1	small carpet
2	0.258.7660.0/10	2	guard
3	2.0351.555.3	6	screw 4.8x16
4	0.008.8754.0/40	1	support
8	0.010.0954.0/10	1	cup
9	2.0350.255.3	4	screw m 3.5 x 16 -AB-
10	2.1579.952.2	8	spacer 15x4.5x3

1116 <- X DORADO 55
 1328 <- X DORADO 65
 1709 <- X DORADO 75
 1978 <- X DORADO 85



SPEED LABEL - 40 KM/H - REFLEX ITALY

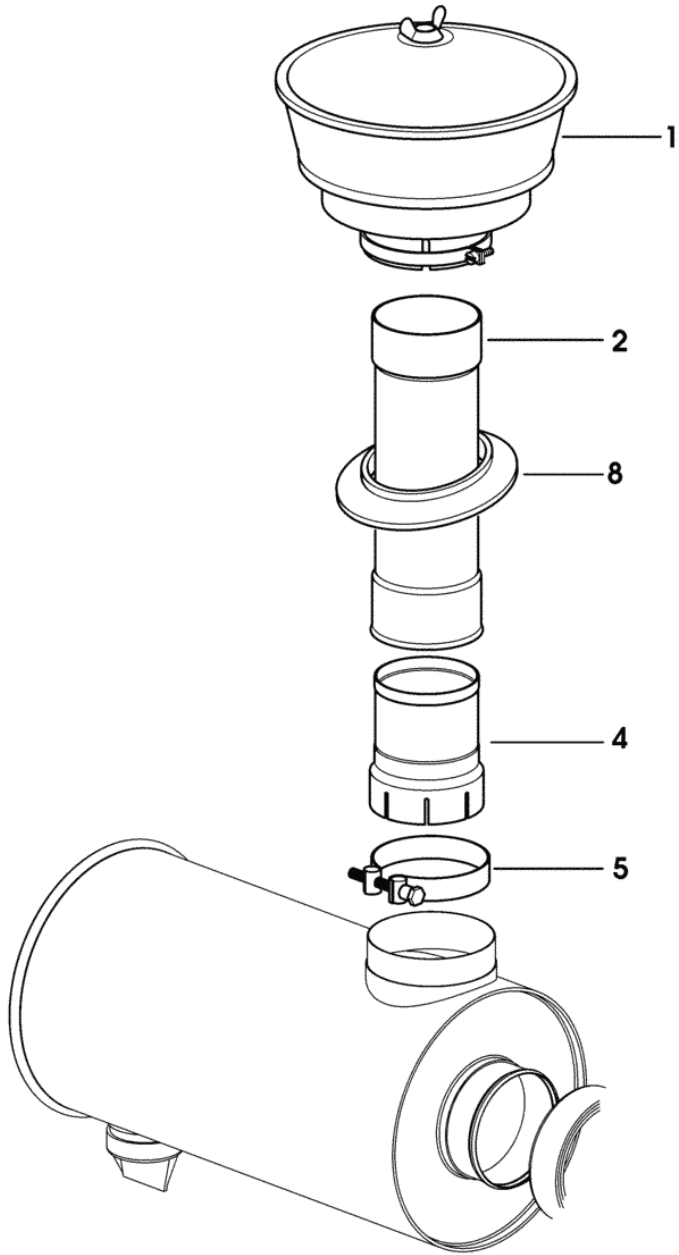
Fig.	Code	QTY	Name
1	0.010.9969.0	1	disc 40 KM/H



9_70576_04_0_0

AIR PRE-CLEANER - FOR 8" AIR FILTER ONLY

Fig.	Code	QTY	Name
1	2.4239.110.0	1	precleaner COMPONENT PARTS SEE COMPONENTS LIST ☞ 2.4239.110.0 ☞ 07.00.47
2	0.010.4698.0	1	filter extension
4	0.010.4697.0/10	1	sleeve
5	0.164.8157.3/20	1	hose clip Ø 97
8	0.010.4713.0	1	gasket

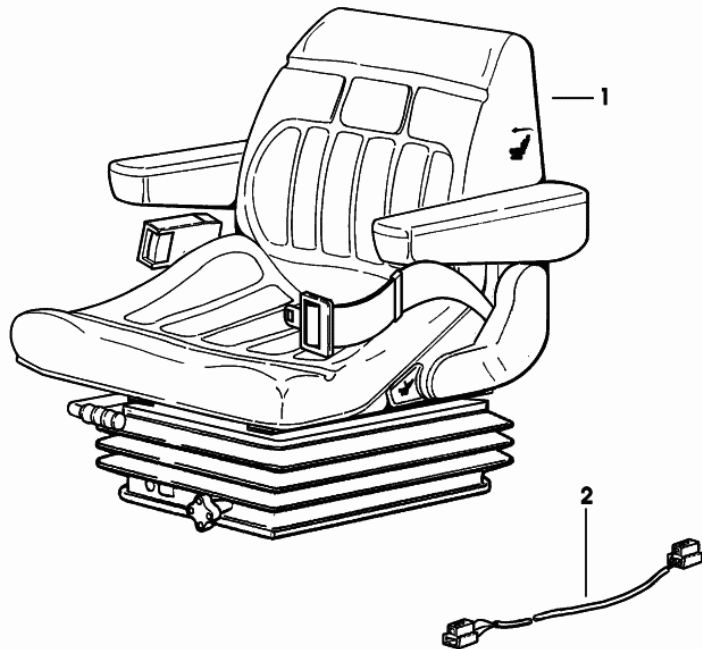


9_64881_10_0_0

Section: BODY WORK

DRIVER'S SEAT - PNEUMATIC SPRINGING

Fig.	Code	QTY	Name
1	0.010.7727.4/20	1	sprung seat GRAMMER MSG 93/20 ☞ 0.010.7727.4/20 ☞ 0.010.7727.4/20
2	0.010.6468.3/10	1	wire

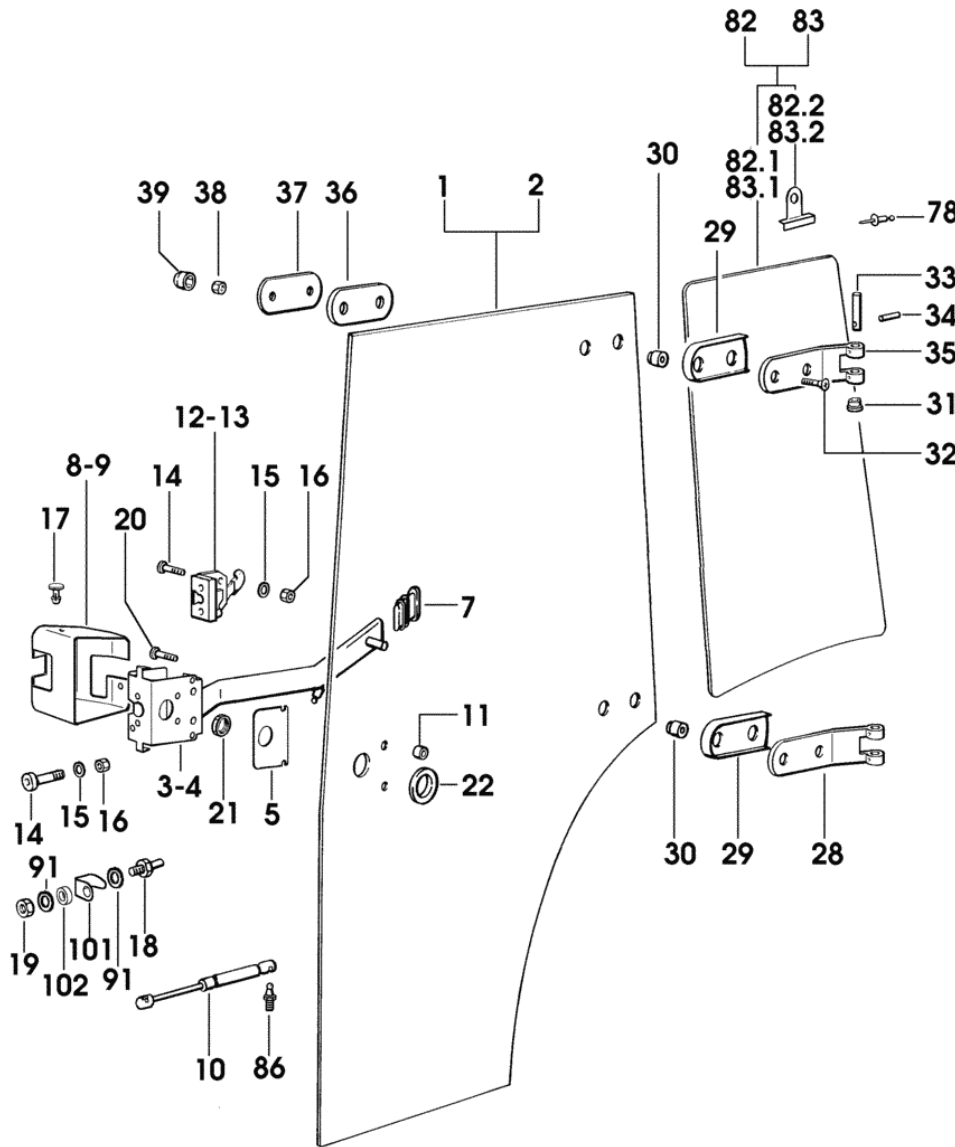


9_68475_00_0_0

Section: CAB

GLASSES AND SEALS

Fig.	Code	QTY	Name
35	0.007.6181.3/30	2	hinge sx/lh/li
36	0.007.5876.0	4	gasket
37	0.007.5878.0	4	plate
38	2.1120.105.2	6	selflock nut m 8 p.1.25
39	0.163.7856.0	6	cap
78	2.1855.110.0	6	rivet 4.2
82	0.000.0000.1	0	not serviceable
82.1	0.009.7703.0/10	1	window glass
			1004 <- X DORADO 55
			1113 <- X DORADO 65
			1014 <- X DORADO 85
82.1	0.009.7703.0/20	1	window glass
			-> 1005 X DORADO 55
			-> 1114 X DORADO 65
			X DORADO 75
			-> 1015 X DORADO 85
82.2	0.009.7708.0	2	small spring
83	0.000.0000.1	0	not serviceable
83.1	0.009.7703.0/10	1	window glass
			1004 <- X DORADO 55
			1113 <- X DORADO 65
			1014 <- X DORADO 85
83.1	0.009.7703.0/20	1	window glass
			-> 1005 X DORADO 55
			-> 1114 X DORADO 65
			X DORADO 75
			-> 1015 X DORADO 85
83.2	0.009.7708.0	2	small spring
86	0.009.8760.0	6	ball joint
91	2.1310.006.3	4	flat washer 10.5x21x2
101	0.010.7267.0/10	2	guard
102	2.1599.789.2	2	spacer 11 x 22 x 6.0



SIDE PLATE RIGHT/LEFT - FOR TYPES WITH "HIGH VISIBILITY"

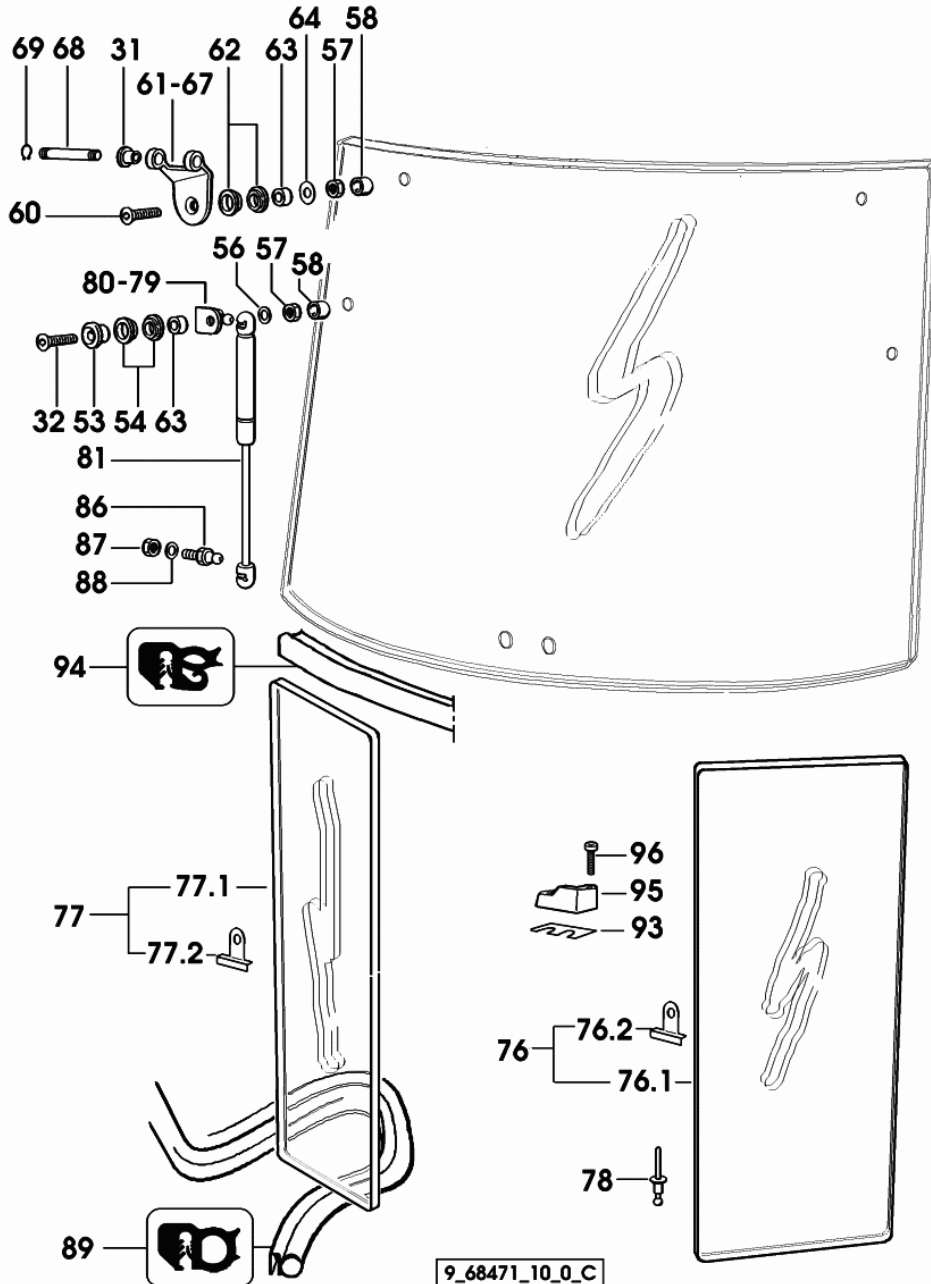
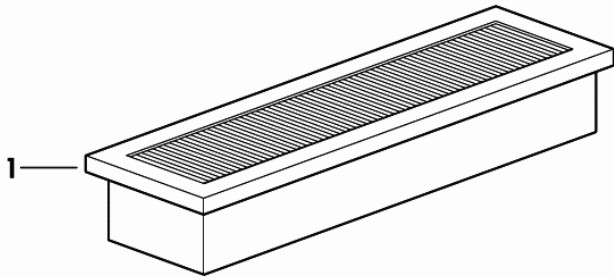


Fig.	Code	QTY	Name
31	2.1559.147.0	16	bushing 10 x 28 x 18
32	2.0342.308.3	6	screw m 8 p.1.25 x 30
53	2.1499.093.0/10	6	washer 8.5
54	0.009.0422.0	8	gasket
56	2.1310.004.2	4	flat washer 8.5
57	2.1120.105.2	8	selflock nut m 8 p.1.25
58	0.163.7856.0	8	cap
60	2.0399.173.3/10	12	screw m 8 p.1.25 x 35
61	0.007.6347.2/10	1	hinge sx/lh/li
62	0.009.0422.0	8	gasket
63	2.1579.450.2	4	spacer 8.5 x 14 x 12
64	2.1599.495.2	4	washer 8.5
67	0.007.6346.2/10	1	hinge dx/rh/re
68	2.1699.327.2/10	2	pin
69	2.1410.001.1	8	circlip 10
76	0.000.0000.1	0	not serviceable
76.1	0.009.7697.0/20	1	window glass 1004 <- X DORADO 55 1113 <- X DORADO 65 1014 <- X DORADO 85
76.1	0.009.7697.0/30	1	window glass -> 1005 X DORADO 55 -> 1114 X DORADO 65 X DORADO 75 -> 1015 X DORADO 85
76.2	0.009.7708.0	1	small spring
77	0.000.0000.1	0	not serviceable
77.1	0.009.7697.0/20	1	window glass 1004 <- X DORADO 55 1113 <- X DORADO 65 1014 <- X DORADO 85
77.1	0.009.7697.0/30	1	window glass -> 1005 X DORADO 55 -> 1114 X DORADO 65 X DORADO 75 -> 1015 X DORADO 85
77.2	0.009.7708.0	1	small spring
78	2.1855.110.0	6	rivet 4.2
79	0.010.6270.2	1	bracket dx/rh/re
80	0.010.6268.2	1	bracket sx/lh/li
81	0.010.6269.0	2	shoch.absorber mm 585
86	0.009.8760.0	6	ball joint
87	2.1011.105.2	2	nut m 8 p.1.25
88	2.1310.004.2	2	flat washer 8.5

Section: CAB

CARBON FILTER - FOR "HIGH VISIBILITY" CAB

Fig.	Code	QTY	Name
1	0.011.0085.2	2	air filter element



Section: CAB
CAB SOUNDPROOF PANELS

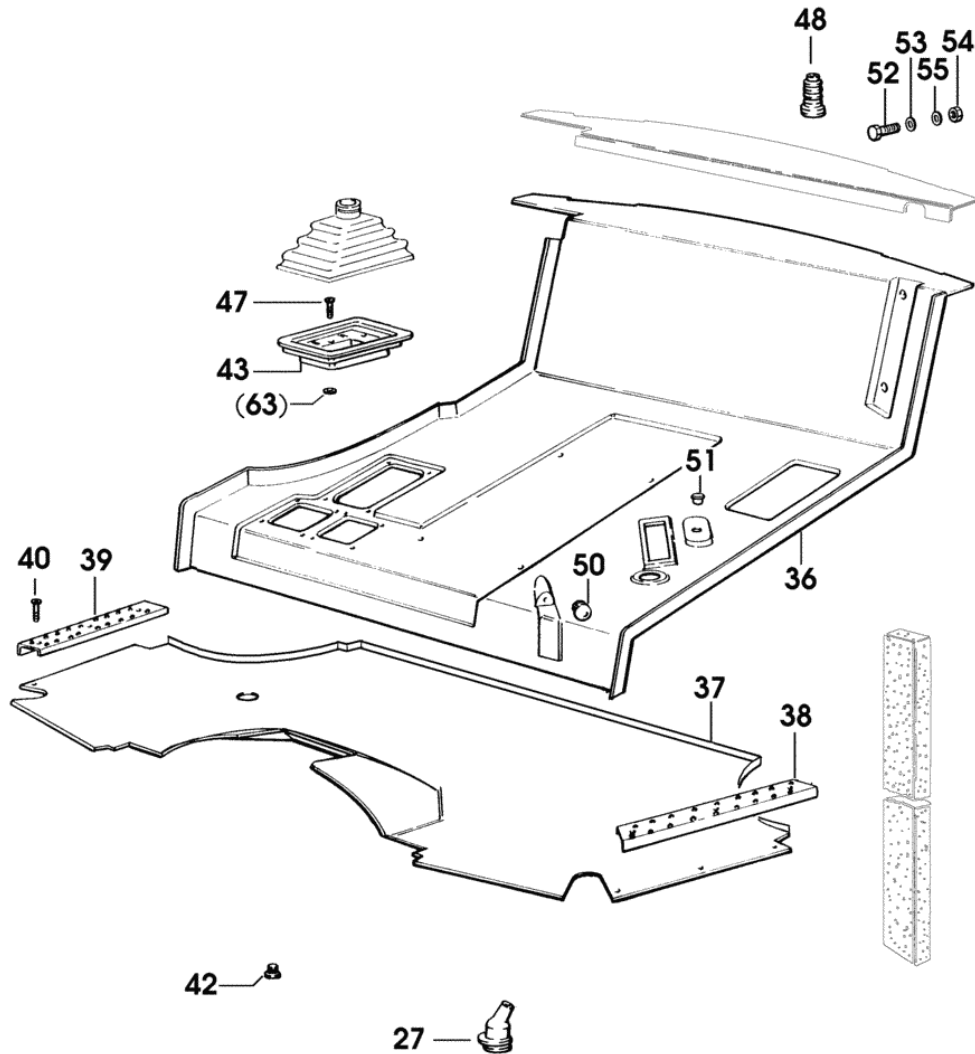


Fig.	Code	QTY	Name
27	0.009.7260.0	1	guard
36	0.007.7757.0/30	1	small carpet
37	0.007.7756.0/40	1	small carpet
38	0.007.7759.0/10	1	stop sx/lh/li
39	0.007.7758.0/10	1	stop dx/rh/re
40	2.0350.454.3	6	screw m 4.2 x 13 -AB-
42	2.3199.126.0/10	1	plug mm 15
43	0.010.0954.0/10	1	cup
47	2.0350.255.3	4	screw m 3.5 x 16 -AB-
48	0.009.8175.0/10	3	bellows
50	0.9200.178.0	1	plug Ø 17
51	0.178.7455.0	1	plug Ø 12
52	2.0112.307.2	2	screw m 10 p.1.5 x 20
53	2.1312.005.2	2	washer 10.2
54	2.1011.106.2	2	nut m 10 p.1.5
55	2.1470.006.2	2	lock washer 10
63	2.1579.952.2	8	spacer 15x4.5x3
			1116 <- X DORADO 55
			1328 <- X DORADO 65
			1709 <- X DORADO 75
			1978 <- X DORADO 85

9_64871_20_0_B

PARTS SET WITHOUT REAR WIPER

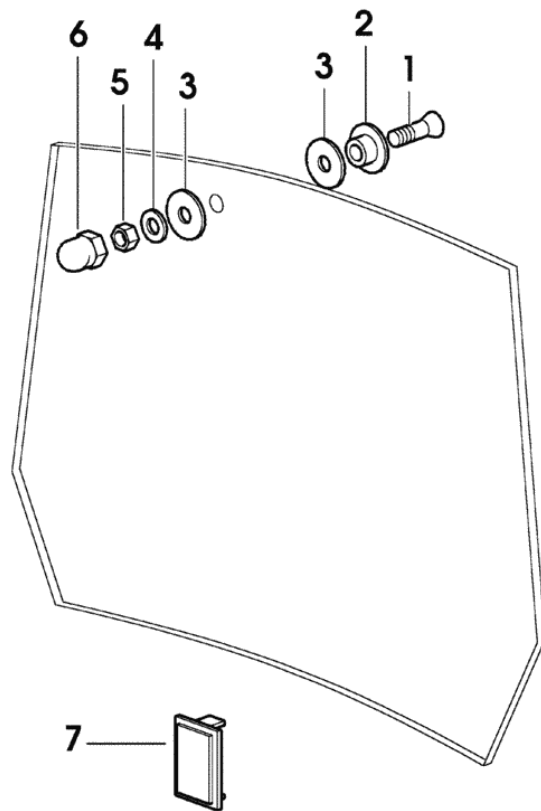


Fig.	Code	QTY	Name
1	2.0342.308.3	2	screw m 8 p.1.25 x 30
2	2.1499.093.0/10	2	washer 8.5
3	0.009.0422.0	4	gasket
4	2.1599.495.2	2	washer 8.5
5	2.1011.105.2	2	nut m 8 p.1.25
6	0.163.7856.0	2	cap
7	0.009.0500.0	1	plug 50x26

Section: CAB

CONDENSER - AIR CONDITIONING UNIT

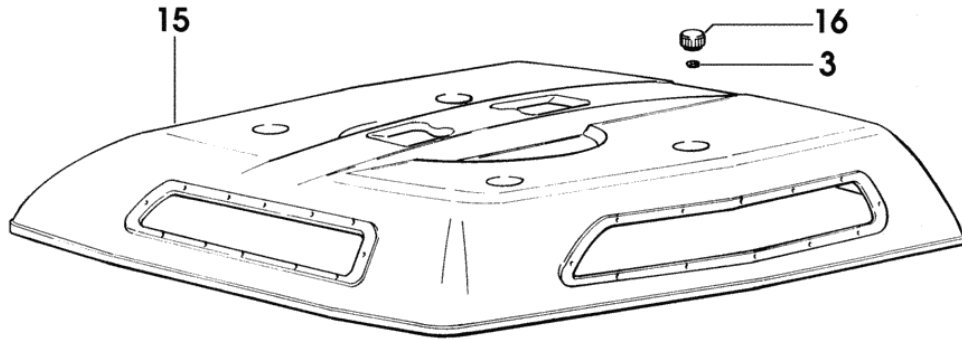
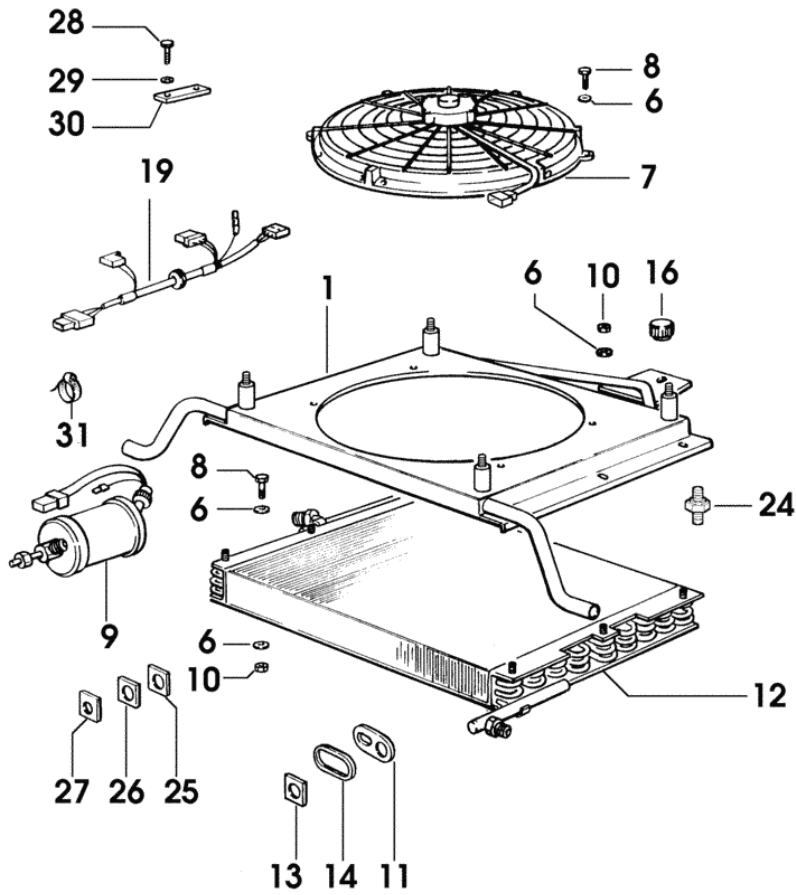


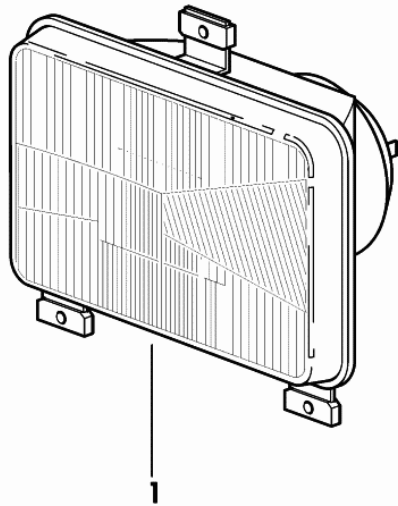
Fig.	Code	QTY	Name
1	0.007.7364.2/30	1	support
3	2.1310.004.2	4	flat washer 8.5
6	2.1310.002.2	17	washer 6.6, d125
7	0.010.0618.4	1	fan Ø 414
8	2.0112.007.2	5	screw m 6 p.1 x 20
9	0.008.9604.4/10	1	filter R 134a
			COMPONENT PARTS SEE COMPONENTS LIST
			☞ 0.008.9604.4/10
			☞ 0B.00.100
10	2.1011.103.2	7	nut m 6 p.1
11	0.007.6976.0	1	small plate
12	0.007.7371.4/40	1	condenser
13	0.007.6975.0/20	1	small plate
14	0.007.6974.0/20	1	gasket
15	0.012.9269.3	1	cover
			1297 <- X DORADO 55
			1511 <- X DORADO 65
			2218 <- X DORADO 75
			2767 <- X DORADO 85
15	0.013.6584.3	1	cover
			-> 1298 X DORADO 55
			-> 1512 X DORADO 65
			-> 2219 X DORADO 75
			-> 2768 X DORADO 85
16	0.98706.54.2/10	5	knob
			1116 <- X DORADO 55
			1317 <- X DORADO 65
			1709 <- X DORADO 75
			1969 <- X DORADO 85
			WHITE
16	0.012.9389.2	5	knob m 8
			-> 1117 X DORADO 55
			-> 1318 X DORADO 65
			-> 1710 X DORADO 75
			-> 1970 X DORADO 85
			GREY
19	0.009.7853.3/20	1	electrical system
			☞ 0.009.7853.3/20
24	0.010.0662.0/10	1	pin
25	0.007.7779.0	1	small plate
26	0.007.7781.0/10	3	gasket
27	0.007.7780.0/10	1	small plate
28	2.0112.004.2	4	screw m 6 p.1 x 14



9_64886_25_0_B

Section: ELECTRIC AL SYSTEM
HEADLAMP FOR LEFT-HAND DRIVE

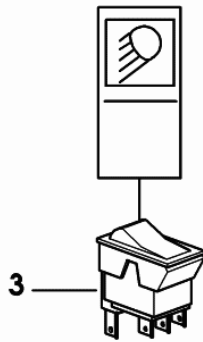
Fig.	Code	QTY	Name
1	2.8029.770.0/30	2	lamp COMPONENT PARTS SEE COMPONENTS LIST ☞ 2.8029.770.0/30 ☞ 08.00.53



9_62085_22_0_0

SWITCH - WORKING SPOTLIGHT REAR

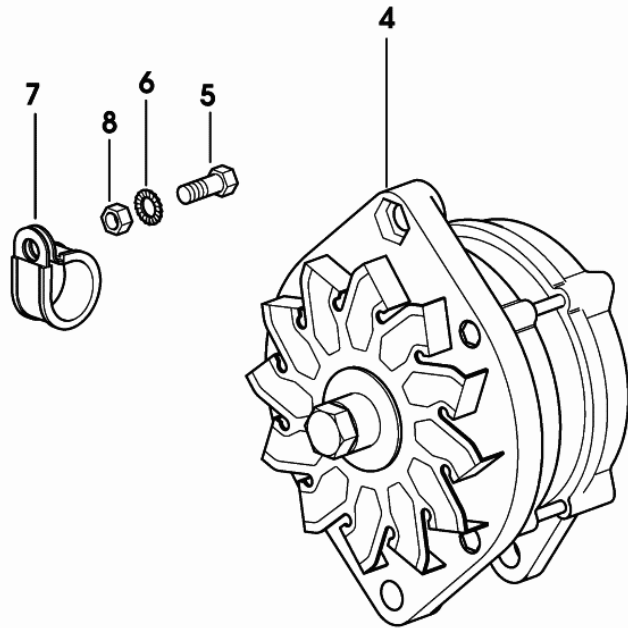
Fig.	Code	QTY	Name
3	2.7659.079.0	1	switch



9_64871_32_0_0

ALTERNATOR 65 A

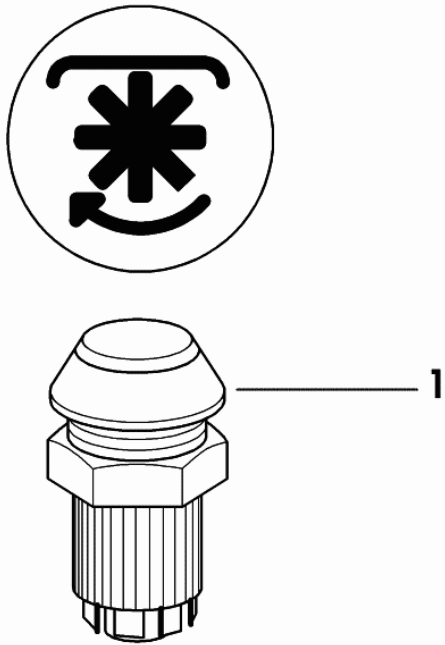
Fig.	Code	QTY	Name
4	2.9439.420.0/10	1	alternator 14V - 65A - ISKRA COMPONENT PARTS SEE COMPONENTS LIST ☞ 2.9439.420.0/10 ☞ 08.00.72
5	2.0112.005.2	1	screw m 6 p.1 x 16
6	2.1472.003.2	1	washer 6, d128
7	2.6839.053.0	1	clamp Ø 17/15
8	2.1011.103.2	1	nut m 6 p.1



9_64884_07_0_0

P.T.O. SWITCH - FOR MODELS WITH MECHANICAL ENGINE GOVERNOR

Fig.	Code	QTY	Name
1	2.7659.108.0/10	1	switch P.T.O.



9_62084_02_0_0

ELECTRICAL SYSTEM - FOR MODELS WITH CAB

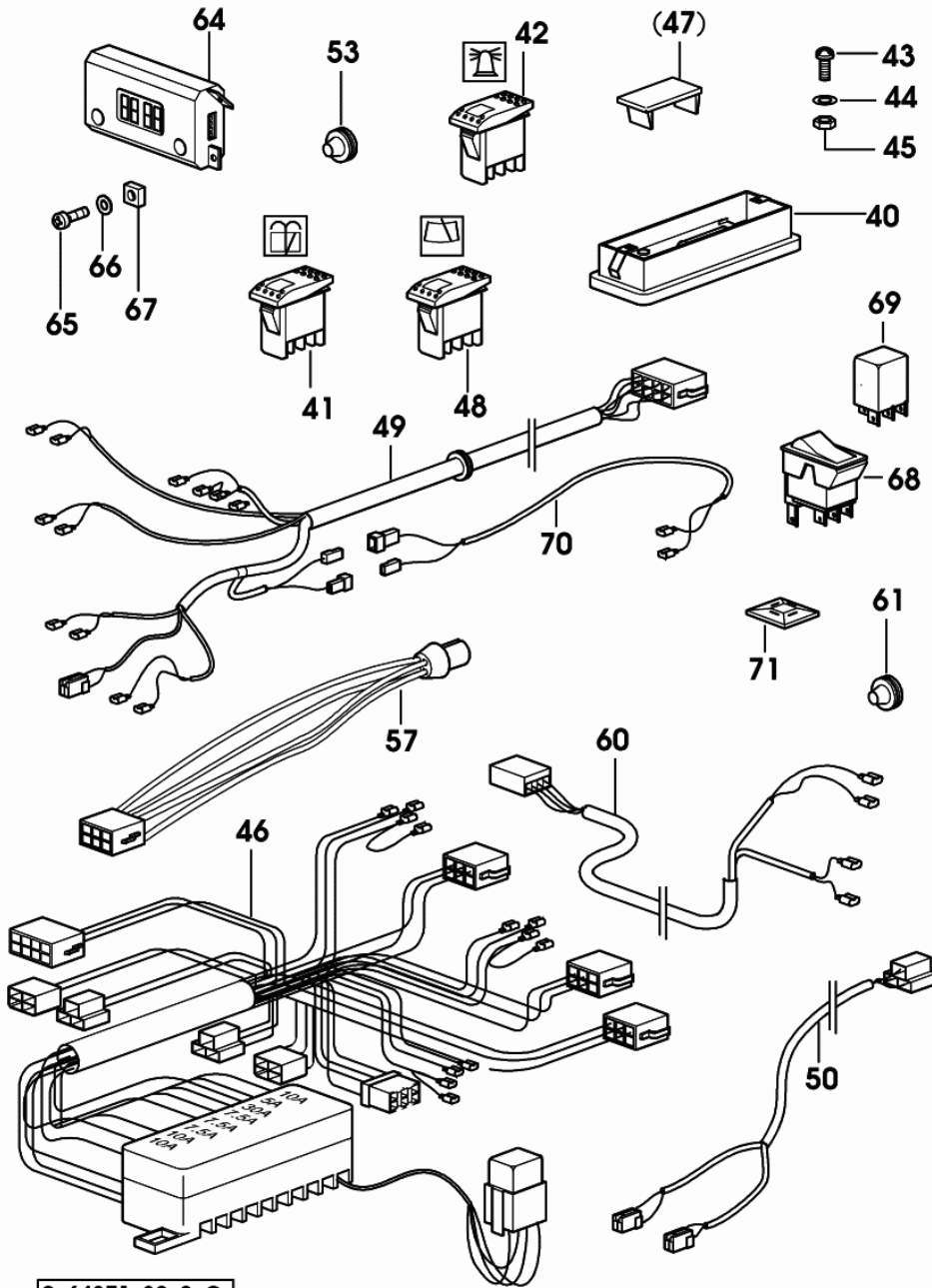


Fig.	Code	QTY	Name
40	2.8339.032.0	1	interior light COMPONENT PARTS SEE COMPONENTS LIST ☞ 2.8339.032.0 ☞ 08.00.78
41	2.7659.146.0	1	switch
42	2.7659.126.0	1	switch
43	2.0332.308.2	2	screw m 5 p.0.8 x 25
44	2.1310.001.2	2	flat washer 5.3
45	2.1011.002.2	2	nut m 5x0.8
46	0.009.7850.4/50	1	electrical system COMPONENT PARTS SEE COMPONENTS LIST ☞ 0.009.7850.4/50 ☞ 08.00.79
47	0.009.0500.0	1	plug 50x26 1064 <- X DORADO 55 1184 <- X DORADO 65 1343 <- X DORADO 75 1375 <- X DORADO 85
48	2.7659.145.0	1	switch 1064 <- X DORADO 55 1184 <- X DORADO 65 1343 <- X DORADO 75 1375 <- X DORADO 85
48	2.7659.092.0	1	switch -> 1065 X DORADO 55 -> 1185 X DORADO 65 -> 1344 X DORADO 75 -> 1376 X DORADO 85
49	0.009.7851.4/40	1	electrical system 1123 <- X DORADO 55 1355 <- X DORADO 65 1807 <- X DORADO 75 2119 <- X DORADO 85
49	0.009.7851.4/50	1	electrical system -> 1124 X DORADO 55 -> 1356 X DORADO 65 -> 1808 X DORADO 75 -> 2120 X DORADO 85
50	0.011.3743.3	1	cab
53	2.6569.018.0	4	wire guide 20 x 8 x 15
57	0.010.4516.3	1	wire
60	0.011.0729.4/10	1	wire

9_64871_30_0_C

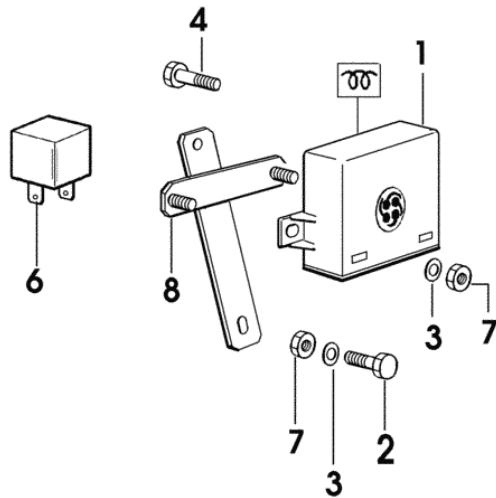
THERMOSTARTER ELECTRONIC CONTROL UNIT

Fig.	Code	QTY	Name
------	------	-----	------

Notes:

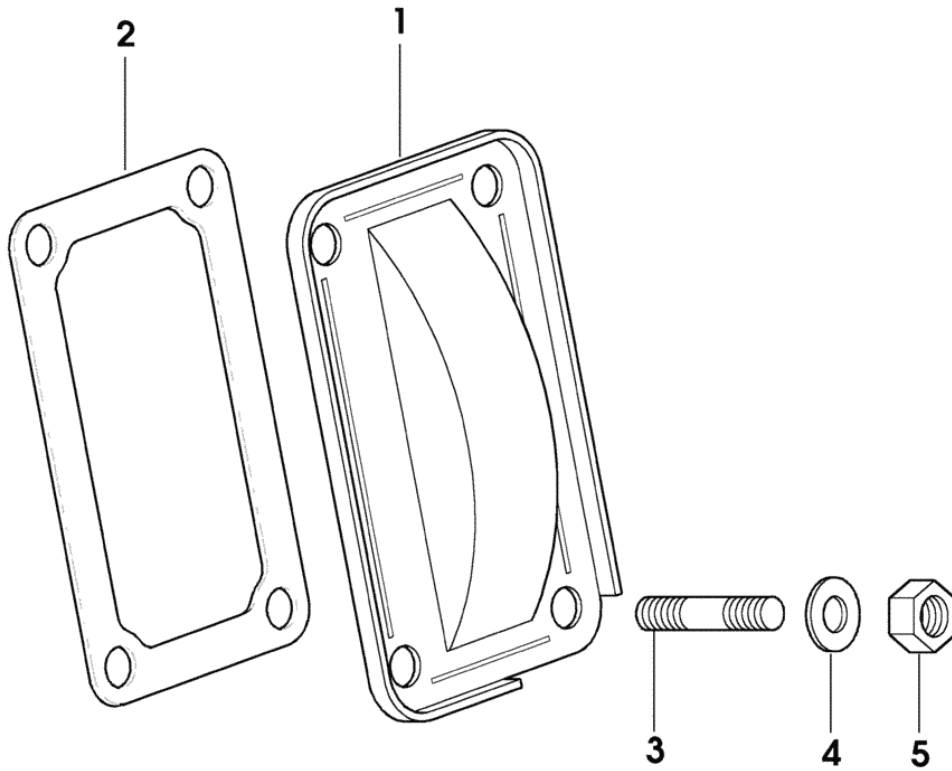
(...) <- X DORADO 65

1	0.008.0618.4/20	1	central device
2	2.0112.004.2	2	screw m 6 p.1 x 14
3	2.1310.002.2	4	washer 6.6, d125
4	2.0112.025.2	2	screw m 6 p.1x80
6	2.7659.107.0	1	relay 12V-30A
7	2.1011.103.2	2	nut m 6 p.1
8	0.010.1987.2	1	support



Section: ENGINE
CASING COVER

Fig.	Code	QTY	Name
1	0.065.1151.0	1	cover
2	0.065.1152.0	1	gasket
3	2.0432.005.7	4	stud bolt m 8 p.1.25 / p.1 x 25
4	2.1310.004.2	4	flat washer 8.5
5	2.1011.405.2	4	nut m 8 p.1



9_33811_04_0_0

CLICK HERE TO **DOWNLOAD** THE COMPLETE MANUAL

- Thank you very much for reading the preview of the manual.
- You can download the complete manual from: www.heydownloads.com by clicking the link below



- Please note: If there is no response to CLICKING the link, please download this PDF first and then click on it.

CLICK HERE TO **DOWNLOAD** THE COMPLETE MANUAL

Section: ENGINE
CAMSHAFT

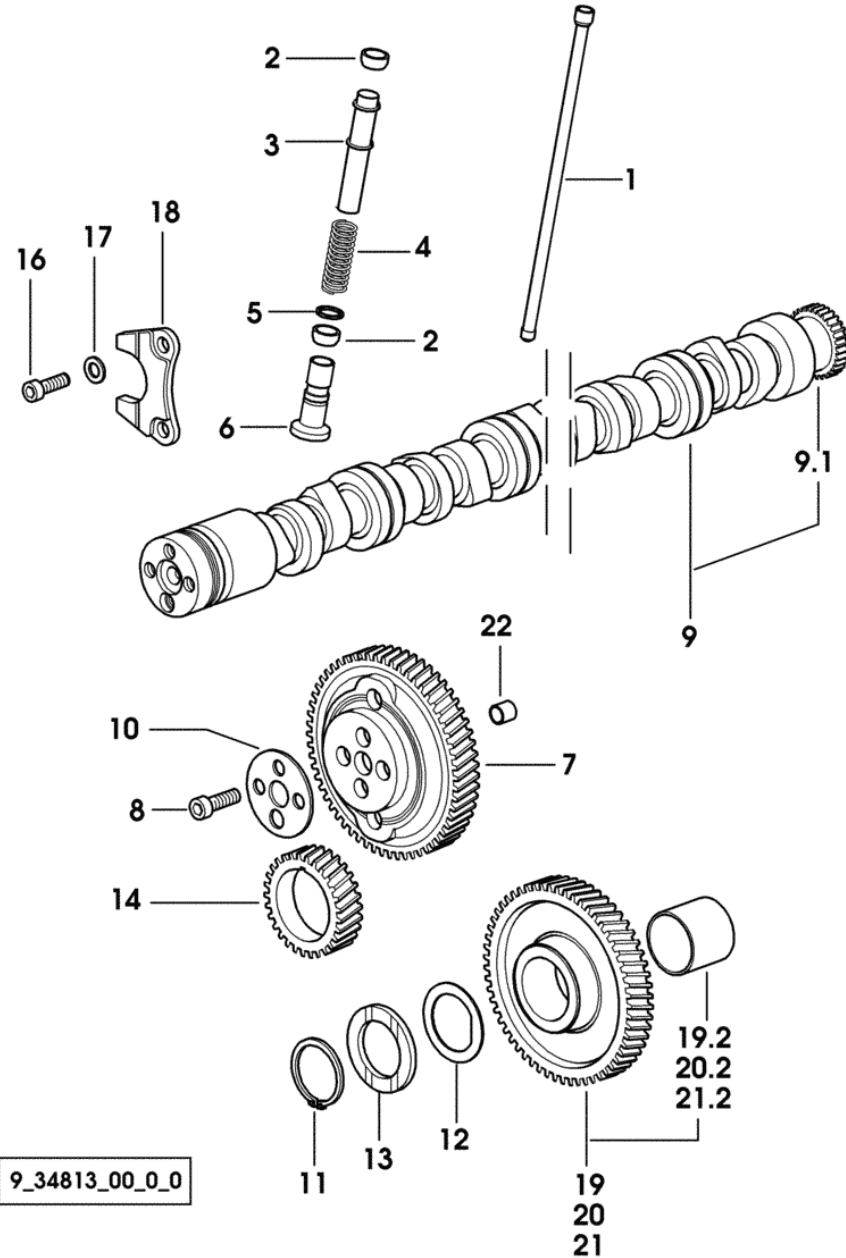


Fig.	Code	QTY	Name
1	0.065.1331.2	6	rod
2	2.1569.114.0/10	12	gasket 14x18.5x8
3	0.065.1332.0	6	sleeve
4	2.4019.300.1/10	6	spring 18.5x52x2
5	2.1599.437.0	6	snoulder 14.5x18x1.5
6	0.065.1330.0	6	tappets
7	0.065.1354.0/20	1	gear z=58
8	2.0132.207.2	4	screw m 10 p.1 x 25
9	0.070.1310.3/40	1	camshaft
9.1	0.065.1324.0/10	1	gear Z = 32
10	0.065.1350.0	1	small disc
11	2.1410.016.1	1	circlip 40
12	0.065.1352.0	1	shim
13	0.065.1351.0	2	snoulder
14	0.065.1323.0/30	1	gear Z = 29
16	2.0312.205.2	2	screw m 8 p.1.25 x 18
17	2.1480.014.1	2	washer 8
18	0.065.1353.0	1	small plate
19	0.007.1177.3/20	0	gear z = 57 - WITH RED IDENTIFICATION STAMP
19.2	2.1559.185.0/10	1	bushing
20	0.007.1178.3/20	0	gear z = 57 - WITH YELLOW IDENTIFICATION STAMP
20.2	2.1559.185.0/10	1	bushing
21	0.007.1179.3/20	1	gear z = 57 - WITH GREEN IDENTIFICATION STAMP
21.2	2.1559.185.0/10	1	bushing
22	2.1559.398.0	1	bushing 10.5x13x12

LUBRICATION EXPORT U.S.A.

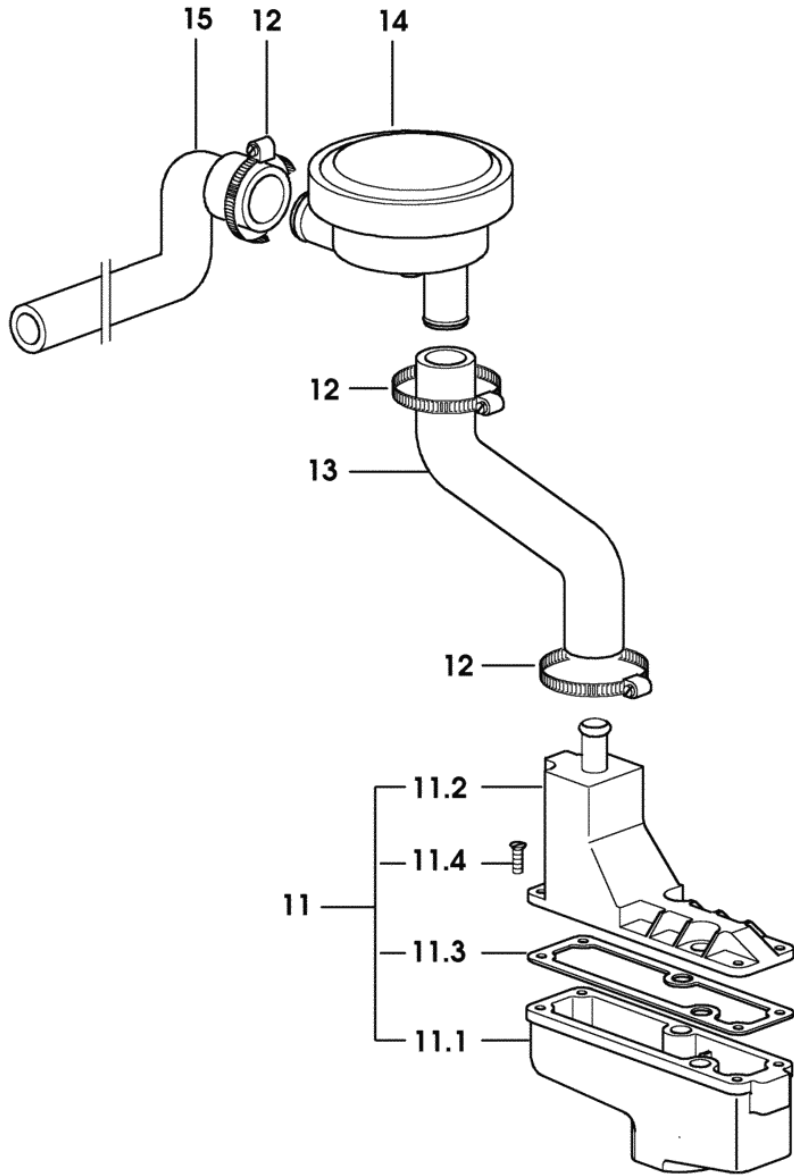
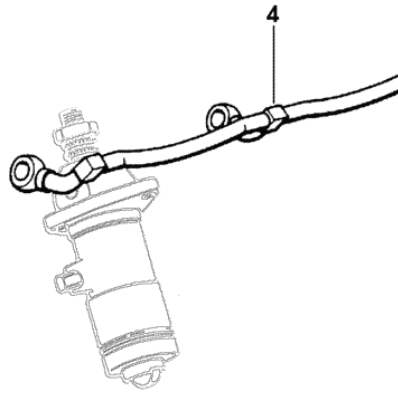


Fig.	Code	QTY	Name
11	0.011.1030.4	1	sediment bowl
11.1	0.011.1030.0	1	sediment bowl
11.2	0.011.1028.3	1	cover
11.3	0.066.1554.0/10	1	gasket
11.4	2.0351.203.6	4	screw 3.5x9.5
12	2.6850.004.0	4	clamp 20-35
13	0.011.4210.0	1	tube
14	0.010.6507.0	1	valve
15	0.011.4209.0	1	tube

Section: ENGINE
OVERFLOW LINE

Fig.	Code	QTY	Name
4	0.010.0321.3	1	tube

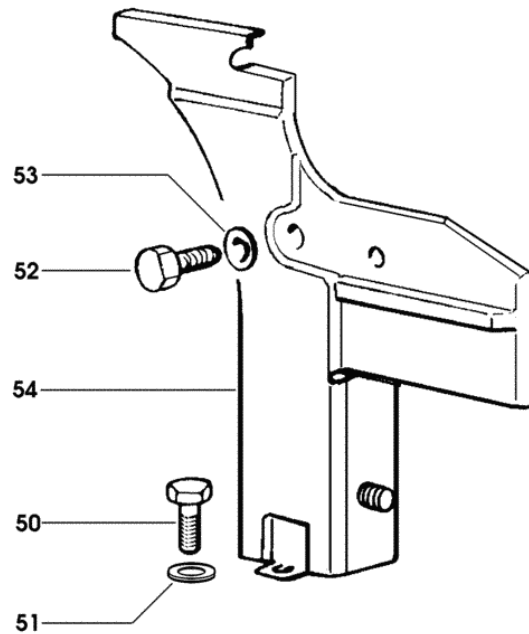
9_37216_04_0_0



AIR COWLING FRONT SECTION

Fig.	Code	QTY	Name
50	2.0312.101.2	1	screw m 6 p.1 x 10
51	2.1310.002.2	1	washer 6.6, d125
52	2.0112.305.2	2	screw m 10 p.1.5 x 16
53	2.1310.006.2	2	flat washer 10.5
54	0.010.0682.0/10	1	duct

9_33217_07_0_0



Section: ENGINE
ENGINE GASKET SET

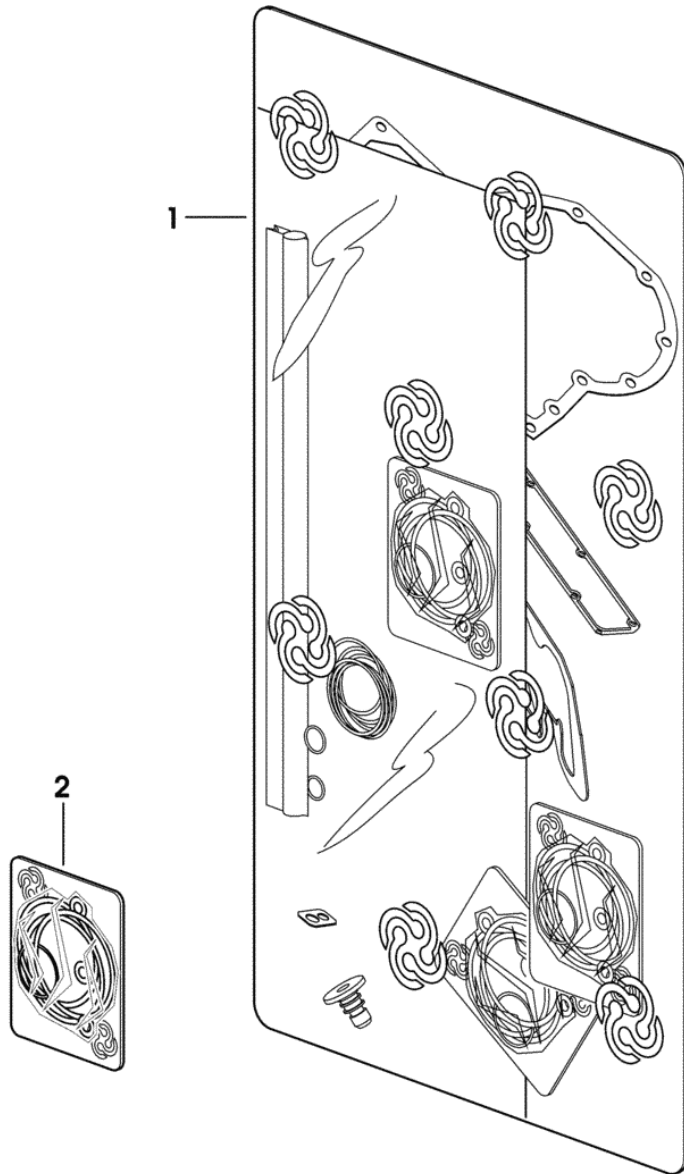


Fig.	Code	QTY	Name
1	0.085.0050.6/10	1	gasket set - FOR ENGINE MOUNTING - X 55HP
1	0.351.0050.6/10	1	gasket set - FOR ENGINE MOUNTING - X 65HP
1	0.087.0050.6/10	1	gasket set - FOR ENGINE MOUNTING - X 75HP - 85HP
2	0.085.0057.6/10	1	gasket set - FOR GRINDING VALVES OF ONE CYLINDER - FOR PISTON RING RENEWAL

9_STA145_00_0_0

Section: FRONT AND REAR P.T.O.
P.T.O. - PUMP CONTROL

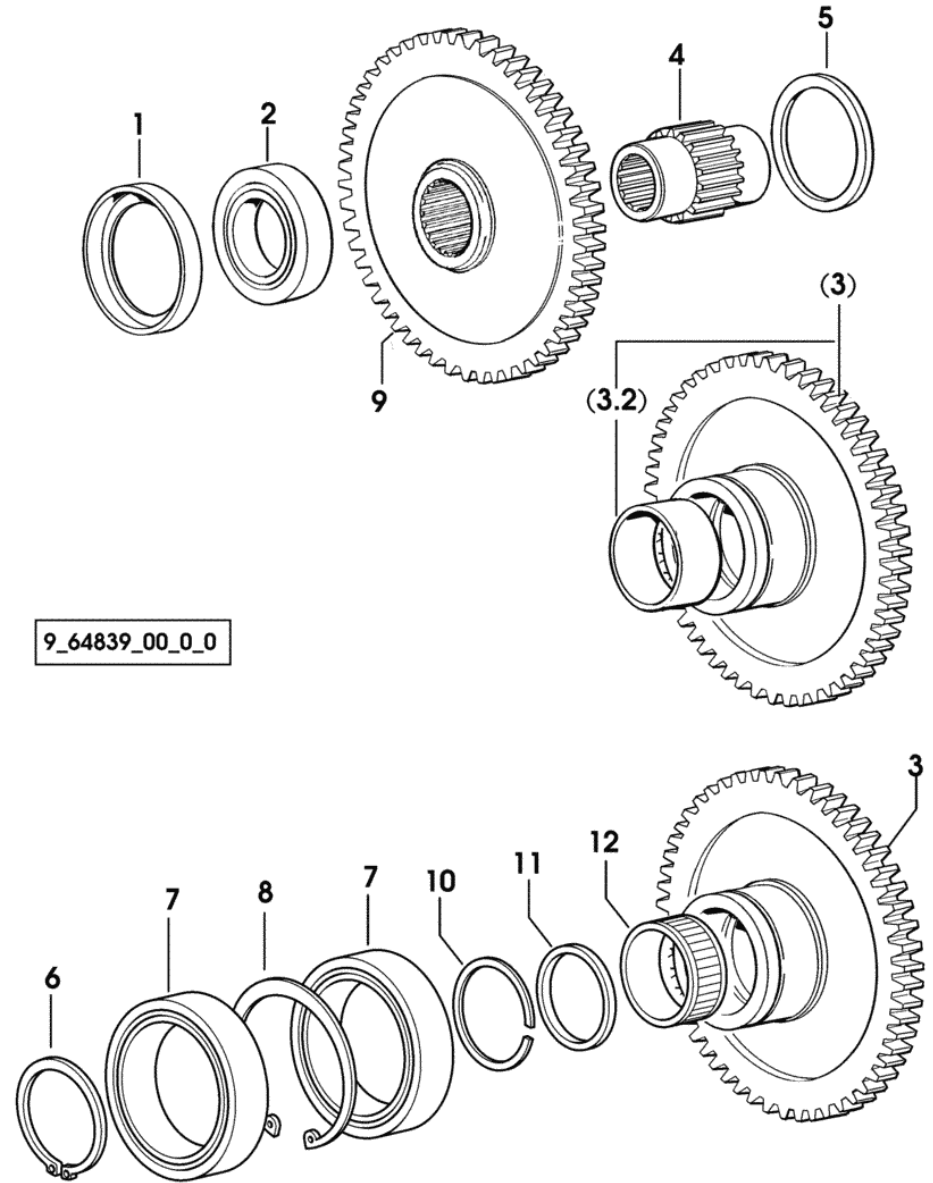
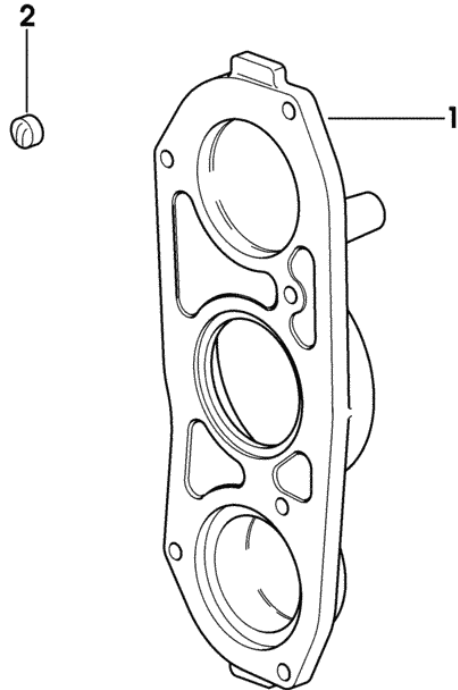


Fig.	Code	QTY	Name
1	0.009.7026.0	1	spacer
2	2.2040.007.0	2	ball bearing 25x52x15
3	0.010.4808.3	1	gear z=53 1123 <- X DORADO 55 1355 <- X DORADO 65 1792 <- X DORADO 75 2085 <- X DORADO 85
3	0.012.9604.0	1	gear z = 53 -> 1124 X DORADO 55 -> 1356 X DORADO 65 -> 1793 X DORADO 75 -> 2086 X DORADO 85
3.2	2.1559.170.0	1	bushing 34 x 38 x 20
4	0.009.7021.0	1	sleeve Z = 14
5	2.1549.200.0/10	1	spacer
6	2.1410.020.1	1	circlip 50
7	2.2030.011.0	2	ball bearing 50 x 80 x 16
8	2.1411.032.1	1	circlip 80 x 2.5
9	0.010.4807.0	1	gear Z = 49 / Z = 14
10	2.1423.031.7	1	circlip 43.8x1.5 -> 1124 X DORADO 55 -> 1356 X DORADO 65 -> 1793 X DORADO 75 -> 2086 X DORADO 85
11	2.1549.372.0	1	spacer 42.5x35.15x5 -> 1124 X DORADO 55 -> 1356 X DORADO 65 -> 1793 X DORADO 75 -> 2086 X DORADO 85
12	2.2999.357.0	1	roller cage 42x35x17.8 -> 1124 X DORADO 55 -> 1356 X DORADO 65 -> 1793 X DORADO 75 -> 2086 X DORADO 85

9_64836_19_0_0

TUNNEL COVER - FOR TYPES WITHOUT SYNCHRONIZED P.T.O. P.T.O.

Fig.	Code	QTY	Name
1	0.011.3261.0/20	1	cover
2	2.3171.006.4	1	plug Ø 16



Section: FRONT AND REAR P.T.O.
P.T.O. ENGAGEMENT CONTROL

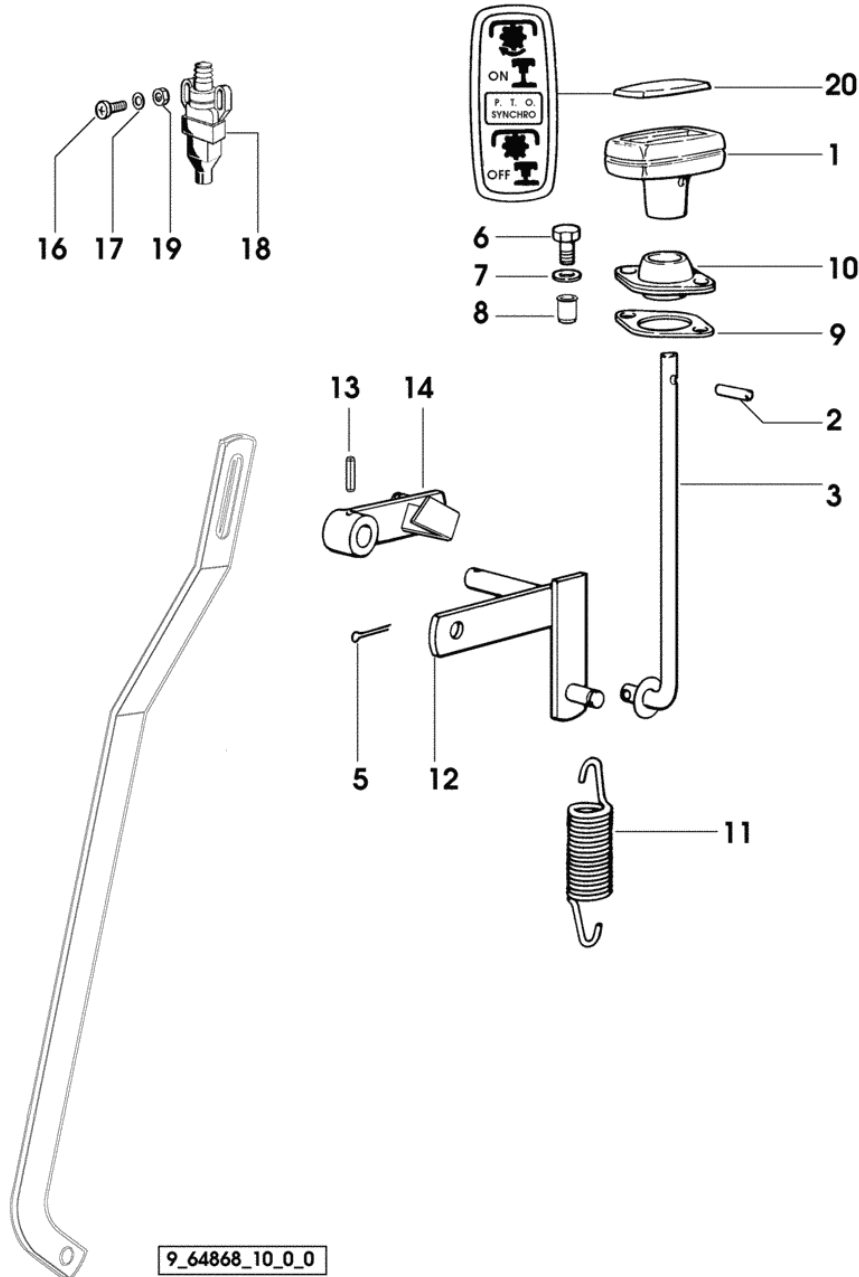
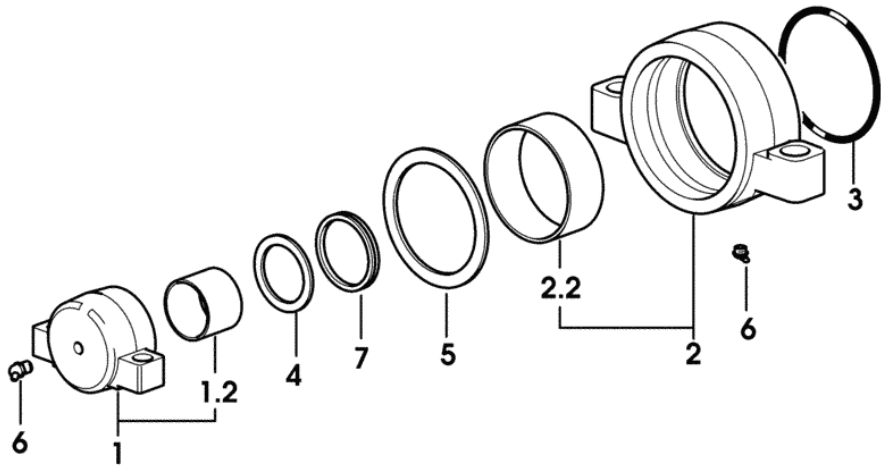


Fig.	Code	QTY	Name
1	0.009.9885.0/10	1	knob
2	2.1630.511.0	1	roll pin 5x24
3	0.009.6954.2/10	1	rod
5	2.1690.207.2	1	split pin 2x18
6	2.0112.205.2	2	screw m 8 p.1.25 x 16
7	2.1310.004.2	2	flat washer 8.5
8	2.1140.021.2	2	insert m 8
9	0.009.0480.0	1	gasket
10	0.009.1618.3	1	support
11	2.4049.139.1/10	1	spring
12	0.009.6956.2/10	1	lever
13	2.1630.410.0	1	roll pin 4 x 20
14	0.009.6955.2/20	1	lever
16	2.0332.207.3	2	screw m 4 x 20
17	2.1310.028.2	2	flat washer 4
18	2.7659.097.0	1	switch
19	2.1011.101.2	2	nut m 4 p.0.7
20	0.009.9887.0/10	1	cap

9_64868_10_0_0

Section: FRONT AXEL
4WD - FRONT SUPPORT

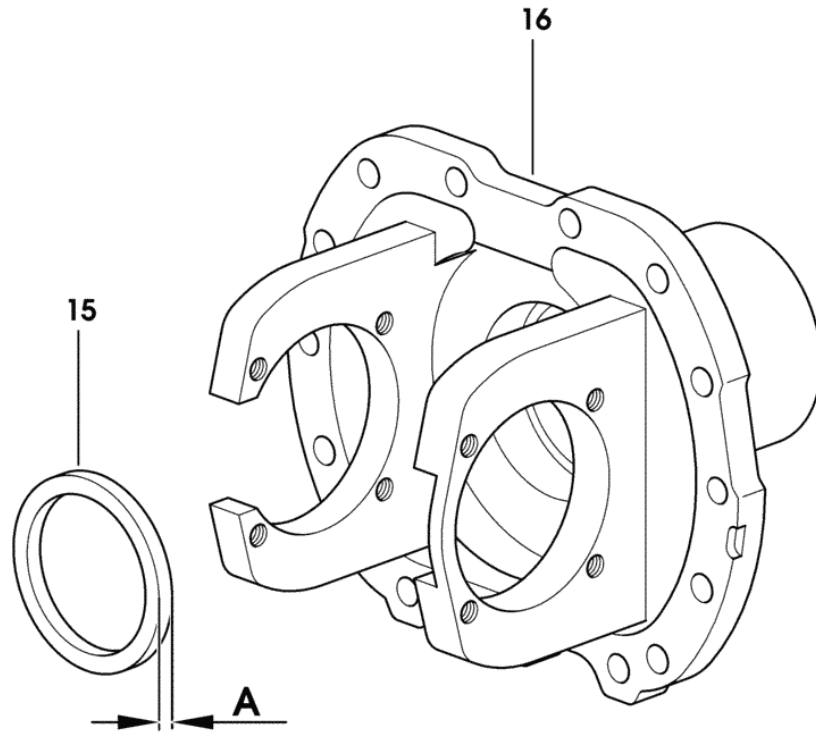
Fig.	Code	QTY	Name
1	0.009.9278.3	1	support 1233 <- X DORADO 55 1450 <- X DORADO 65 2047 <- X DORADO 75 2502 <- X DORADO 85
1	0.009.9278.3/10	1	support -> 1234 X DORADO 55 -> 1451 X DORADO 65 -> 2048 X DORADO 75 -> 2503 X DORADO 85
1.2	2.1552.529.0	1	bushing 50x55x40
2	0.009.9279.3	1	support
2.2	0.146.5250.0	1	bushing 99.3x106.3x40
3	2.1530.205.0	1	'o' ring 101.2x5.34
4	2.1599.003.0	1	snoulder 61x80x4 1233 <- X DORADO 55 1450 <- X DORADO 65 2047 <- X DORADO 75 2502 <- X DORADO 85
4	2.1599.870.0	1	snoulder 69x55x4 -> 1234 X DORADO 55 -> 1451 X DORADO 65 -> 2048 X DORADO 75 -> 2503 X DORADO 85
5	2.1599.004.0	1	snoulder 101x125x4
6	2.3821.303.2	2	lubricator m 10 p.1
7	2.1535.026.0	1	ring 58x68x9 -> 1234 X DORADO 55 -> 1451 X DORADO 65 -> 2048 X DORADO 75 -> 2503 X DORADO 85



9_58952_01_0_0

4WD - FLANGE

Fig.	Code	QTY	Name
15	2.1549.123.0/10	1	spacer 73x89.8x9
16	0.008.5489.0/40	1	flange



9_58943_01_0_0

Section: FRONT AXEL
FRONT WHEEL HUB COVER

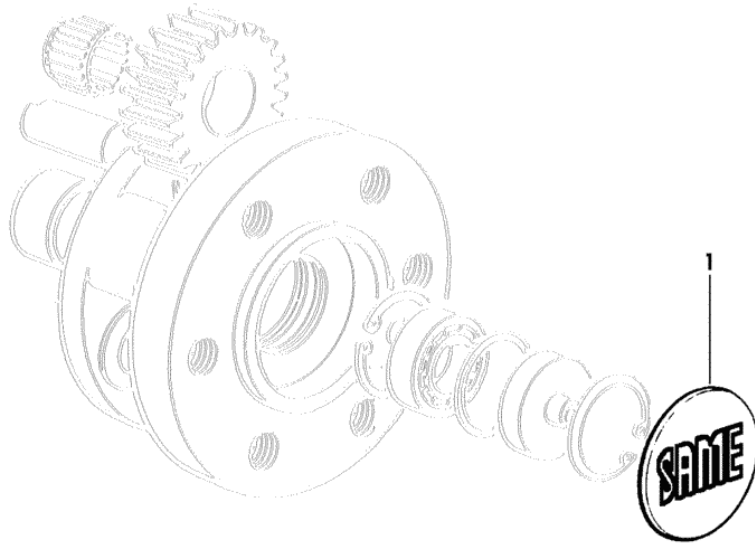
9_49046_05_0_0

Fig.	Code	QTY	Name
------	------	-----	------

Notes:

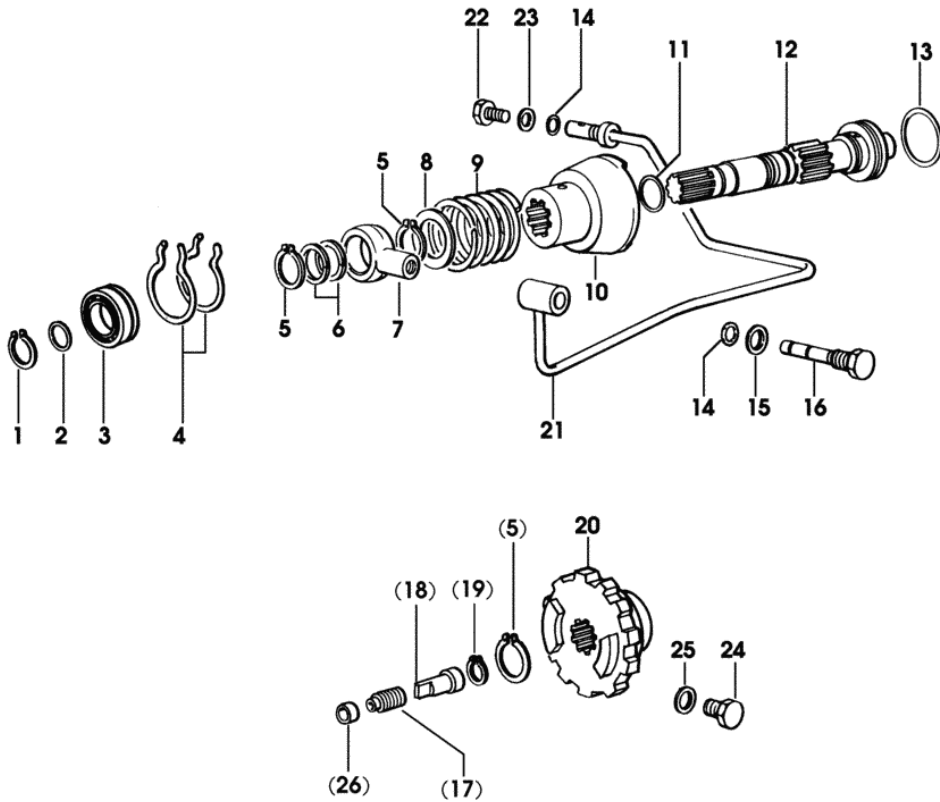
1109 <- X DORADO 55 1293 <- X DORADO 65 1647 <- X DORADO 75 1880 <- X DORADO 85

1	2.3199.100.0	2	small cover SAME
---	--------------	---	------------------



4WD - ELECTROHYDRAULIC ENGAGEMENT CONTROL

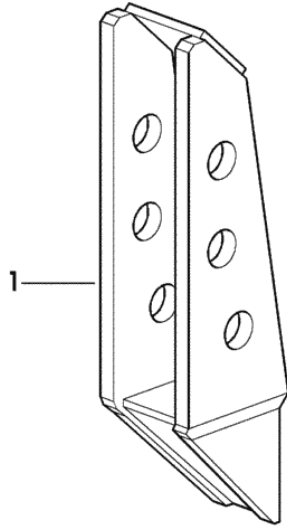
Fig.	Code	QTY	Name
24	2.3110.405.2	1	plug m 18 p.1.5 x 15
25	2.1560.014.0	1	gasket 18.2 x 24 x 1.5
26	2.1549.338.0	1	spacer 10x13.8x8 1122 <- X DORADO 55 1346 <- X DORADO 65 1763 <- X DORADO 75 2059 <- X DORADO 85



9_64838_00_0_0

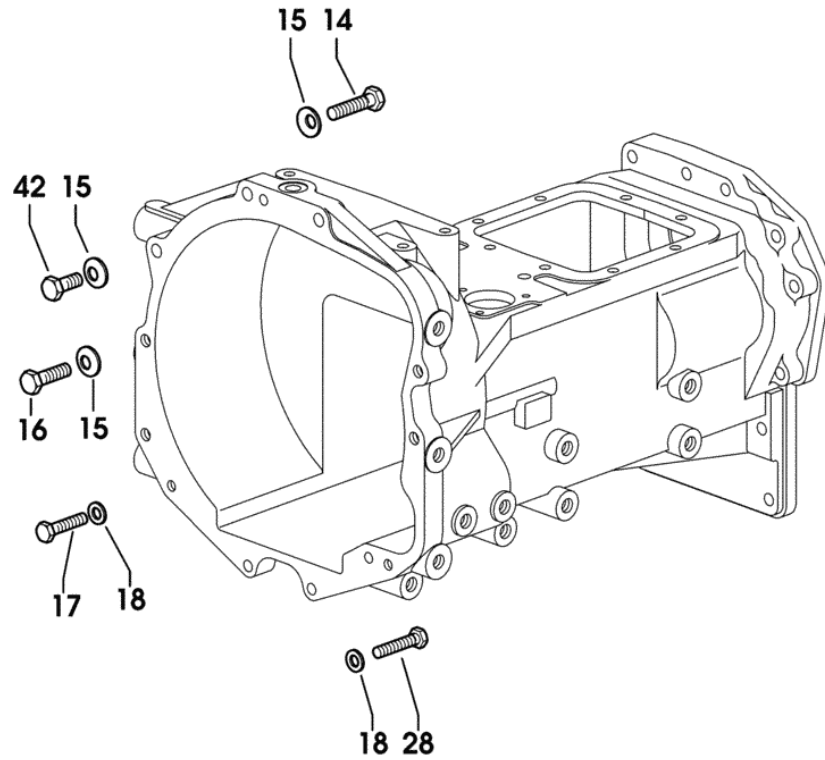
BRACKET FOR FRONT LIFT

Fig.	Code	QTY	Name
1	0.010.4300.2	1	bracket



Section: GEAR
GEARBOXFIXINGS

Fig.	Code	QTY	Name
14	2.0112.521.2	3	screw m 14 p.2 x 60
15	2.1475.005.7	7	washer 14
16	2.0112.519.2	2	screw m 14 p.2x50
17	2.0112.420.2	2	screw m 12 p.1.75x55
18	2.1475.004.7	4	washer 13 x 24
28	2.0112.421.2	2	screw m 12 p.1.75 x 60
42	2.0112.513.2	2	screw m 14 p.2 x 35



9_64831_02_0_0

GEAR CHANGE BOX 5 SPEED - FOR TYPES WITH H-M-L- (AGROSHIFT)

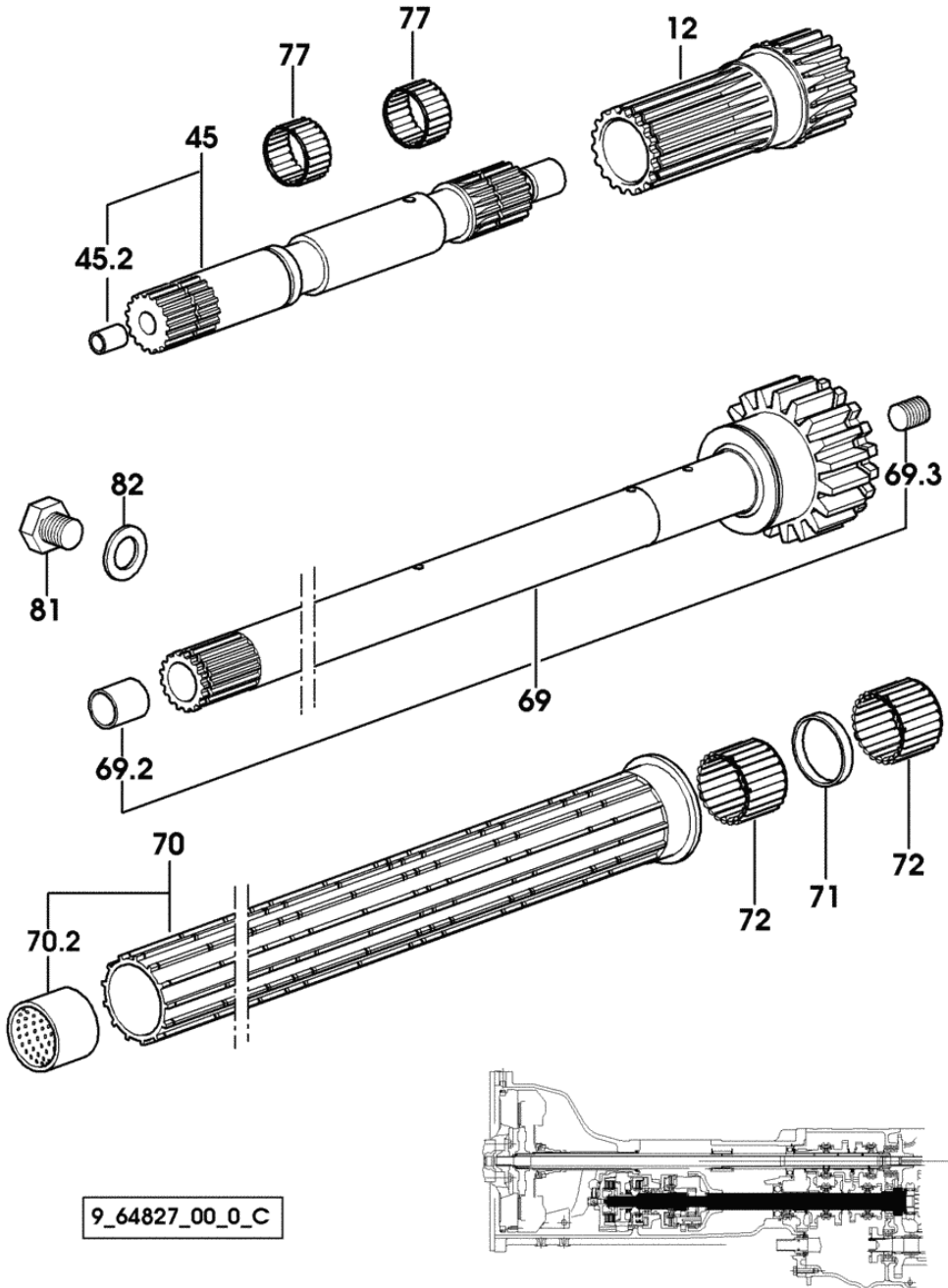
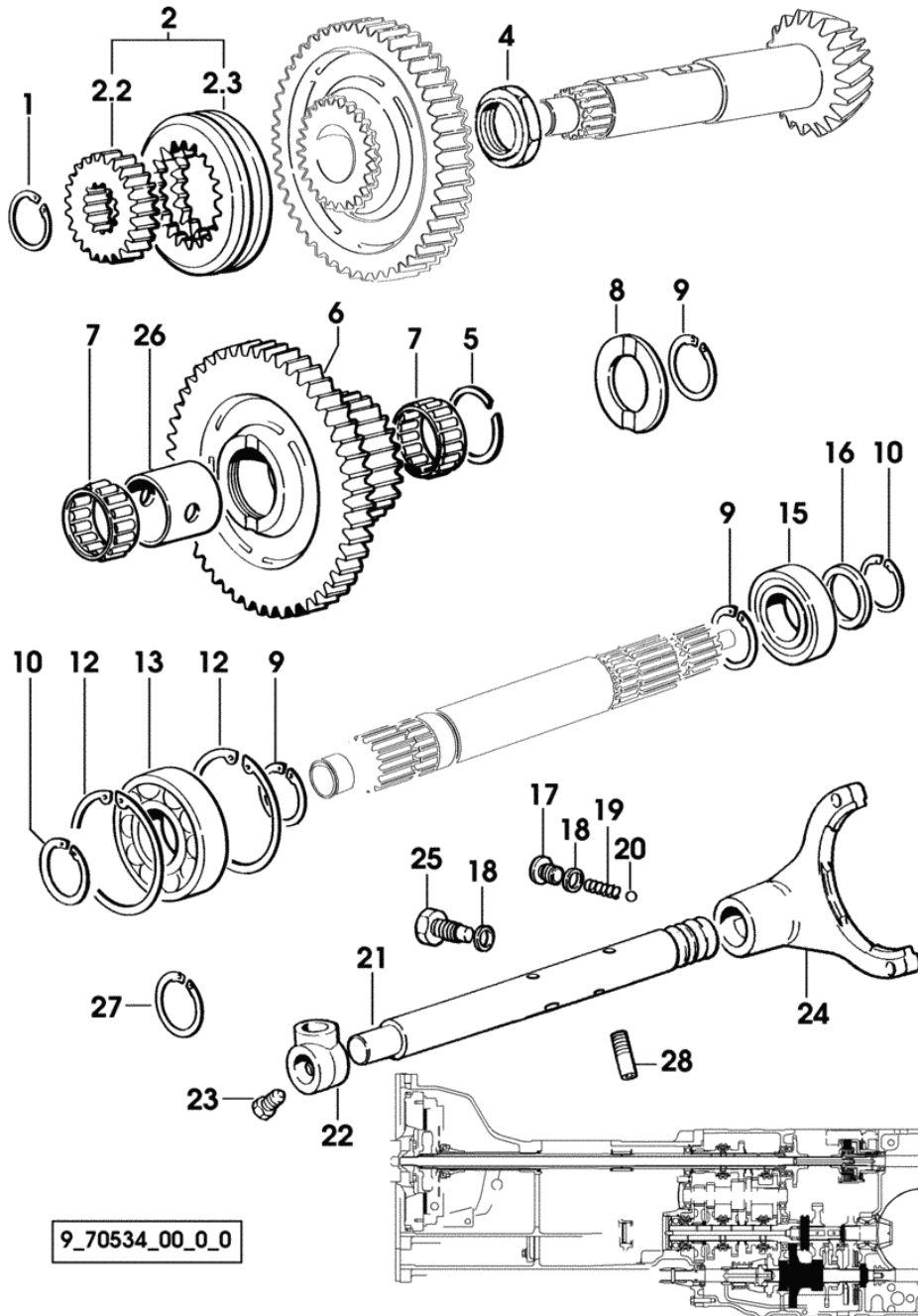


Fig.	Code	QTY	Name
12	0.008.0312.0/50	1	shaft
45	0.009.9871.3/60	1	shaft
45.2	2.1549.196.0/10	1	bushing 8 x 10.3 x 14
69	0.009.9925.3/40	1	shaft
69.2	2.1552.205.0	1	bushing 16 x 20
69.3	2.0599.092.0	1	grain m 12x14
70	0.010.0307.3	1	countershaft
70.2	2.1559.365.0	1	bushing 27.6 x 32 x 25
71	2.1549.198.0	1	spacer 30 x 33 x 5
72	2.2999.298.0	2	roller cage 28 x 33 x 27
77	2.2999.312.0	2	roller cage
81	2.3110.403.1	1	plug m 14 p.1.5
82	2.1560.010.0	1	gasket 14.2 x 20 x 1.5

9_64827_00_0_C

SPEED RANGE REDUCTION GEAR UNIT - FOR MECHANICAL CONTROLS

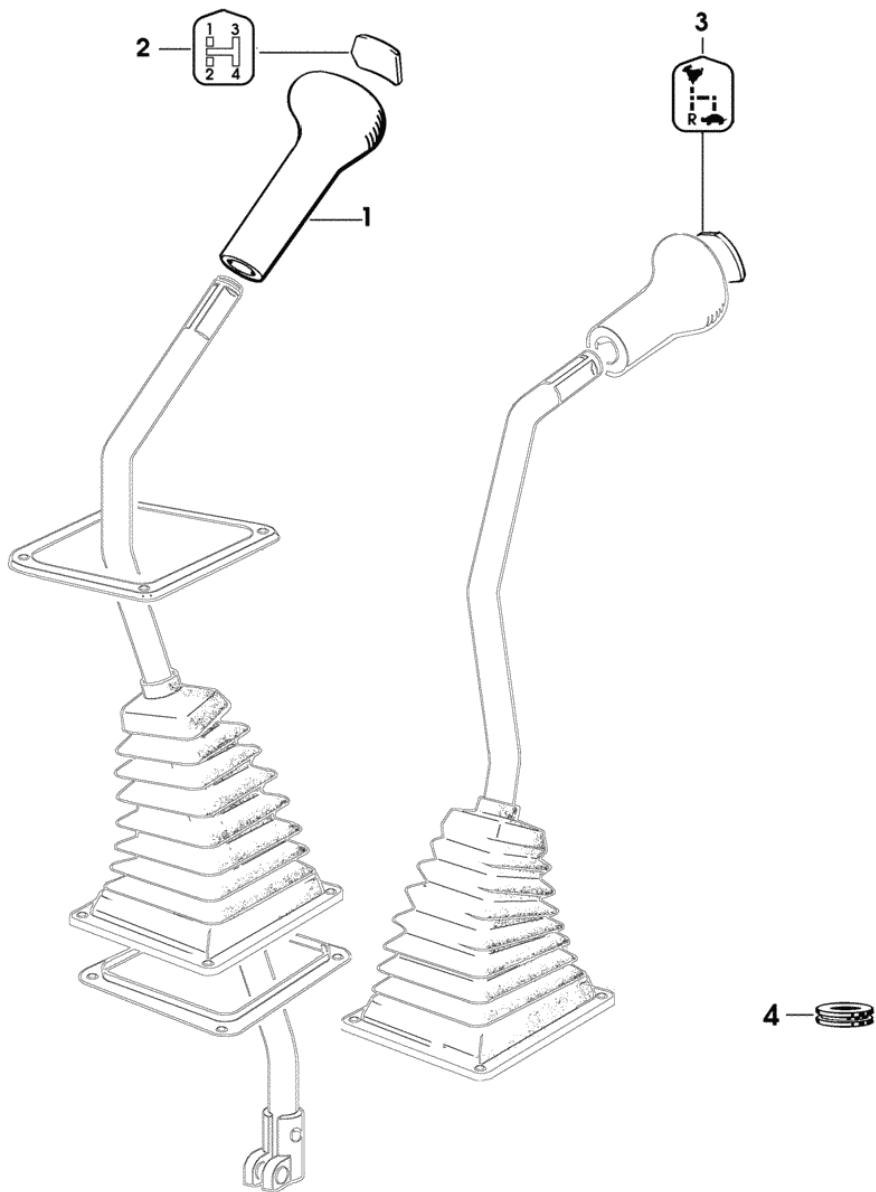


9_70534_00_0_0

Fig.	Code	QTY	Name
1	2.1419.065.0	1	circlip 32
2	0.000.0000.1	0	not serviceable
2.2	0.008.5120.0/20	1	hub Z = 19 / Z = 14
2.3	0.009.7057.0	1	sleeve Z = 19
4	0.008.5134.0/20	1	ring nut m 36 p.1.5
5	2.1423.034.7	1	circlip 45 x 1.5
6	0.009.7013.0	1	gear Z = 22 / Z = 50
7	2.2999.026.0	2	roller cage 35 x 45 x 20
8	2.1599.610.0	1	snoulder 35 x 60 x 3.5
9	2.1419.067.0	3	circlip 35 x 1.5
10	2.1419.066.0	2	circlip 30
12	2.1411.032.1	2	circlip 80 x 2.5
13	2.2060.011.0	1	ball bearing 35 x 80 x 21
15	2.2040.009.0	1	ball bearing iso 30 bc 02
16	2.1599.612.0/10	1	shoulder 30.1 x 40 x 3
17	2.3199.260.2/10	1	plug m 10 x 26
18	2.1560.005.0	2	gasket 10.2 x 14
19	2.4019.670.1	1	spring 5 x 8 x 1.5 x 22.5
20	2.2810.004.0	1	ball 5/16"
21	0.008.5382.0/70	1	rod
22	0.008.5193.0/20	1	hub
23	2.0399.019.1	1	screw m 8 p.1 x 16
24	0.009.6747.0	1	fork
25	2.0119.194.2/10	1	screw m 10 x 39.5
26	2.1549.137.0	1	spacer 38.8 x 44.8 x 45.3
27	2.1420.018.1	2	circlip 45
28	2.0599.086.0/40	1	grain m 8 p.1.25 x 28

KNOB FOR 4-SPEED GEARBOX

Fig.	Code	QTY	Name
1	0.008.2837.0/10	1	knob
2	0.013.3876.0/10	1	cap
3	0.013.3847.0/10	1	cap
4	0.010.7111.0	1	plug 32



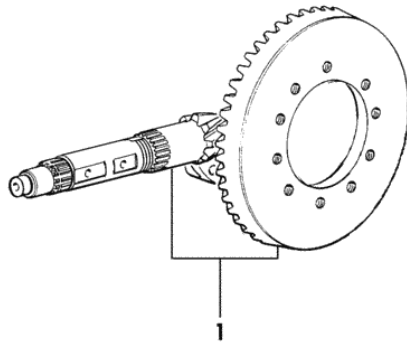
9_64864_08_0_0

Section: GEAR

BEVEL WHEEL GEAR - 40Km/h

Fig.	Code	QTY	Name
1	0.008.5476.3/50	1	bevel gear z=9 z=33

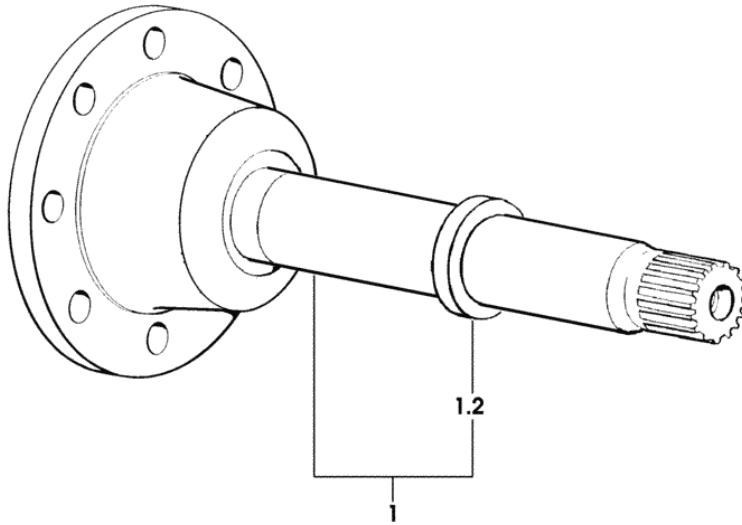
9_64735_02_0_0



REAR REDUCTION GEARS AND AXLE SHAFTS

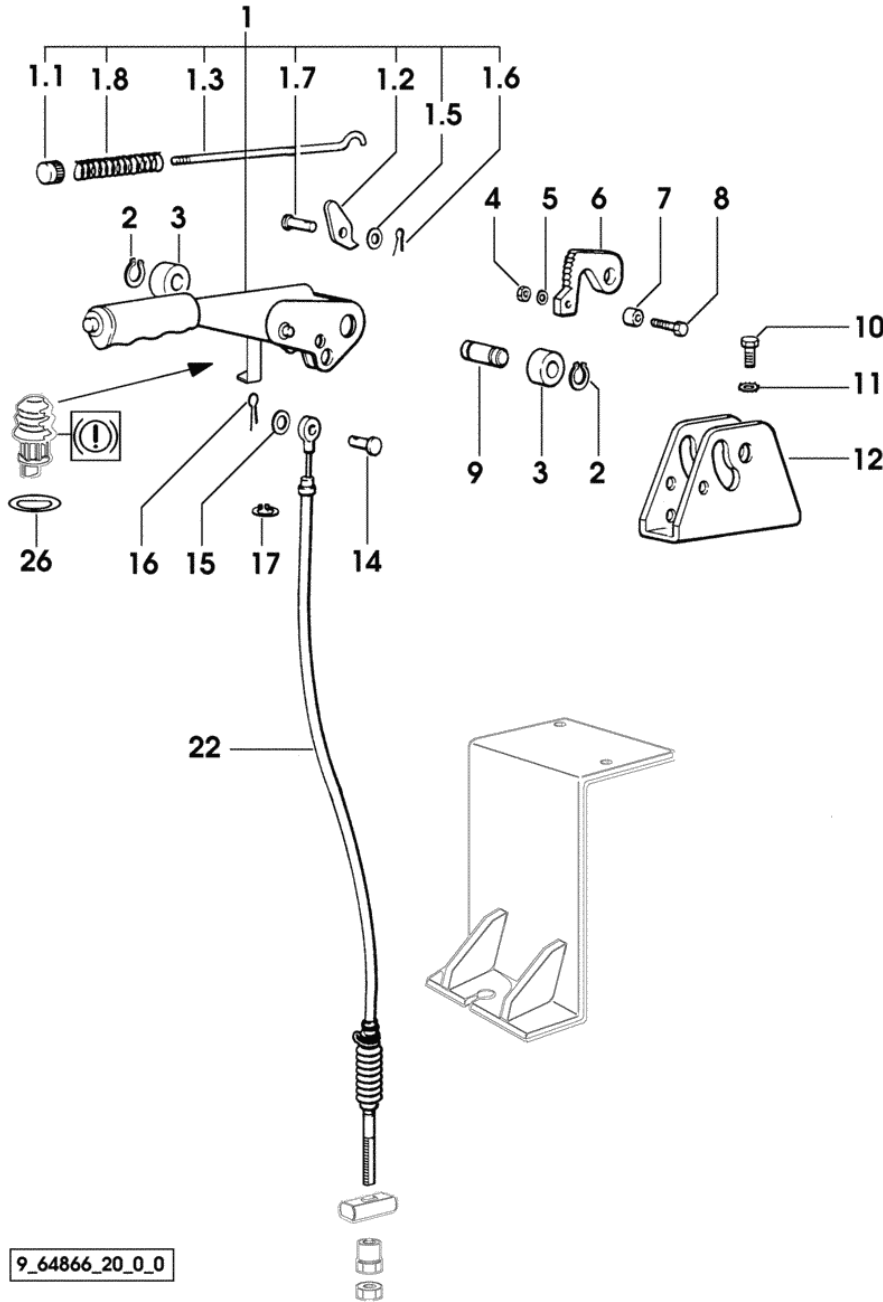
9_64747_01_0_0

Fig.	Code	QTY	Name
1	0.009.7204.3/30	2	half-shaft
1.2	0.270.4751.0	1	spacer



Section: REAR AXLE
HAND BRAKE

Fig.	Code	QTY	Name
1	0.007.7892.4/30	1	lever
1.1	0.171.6622.0	1	push-button
1.2	0.200.6623.0/20	1	ratchet
1.3	0.467.6621.0/20	1	rod
1.5	2.1310.004.2	1	flat washer 8.5
1.6	2.1690.206.2	1	split pin 2x16
1.7	2.1671.305.2	1	pin 8x22
1.8	2.4019.555.2	1	spring 14x130x1.3
2	2.1410.003.1	2	circlip 14
3	2.1599.565.2	2	shim 15 x 30 x 6
4	2.1011.103.2	1	nut m 6 p.1
5	2.1310.002.2	1	washer 6.6, d125
6	0.257.6624.0	1	sector
7	2.1579.996.2	2	spacer 8x14x12
8	2.0112.017.2	1	screw m 6 p.1x45
9	2.1699.265.2	1	pin
10	2.0112.207.2	2	screw m 8 p 1.25 x 20
11	2.1470.004.2	2	washer 8
12	0.007.6870.2/10	1	support
12	0.007.6870.2/20	1	support 1025 <- X DORADO 65 X DORADO 55 -> 1026 X DORADO 65 X DORADO 75 X DORADO 85
14	2.1671.406.2	1	pin
15	2.1310.006.2	1	flat washer 10.5
16	2.1690.308.2	1	split pin 3.2 x 20
17	2.1430.012.2	1	circlip 12
22	0.009.7124.3/30	1	rod 1025 <- X DORADO 65
22	0.009.7124.3/40	1	rod X DORADO 55 -> 1026 X DORADO 65 X DORADO 75 X DORADO 85
26	0.012.9897.0	1	lamination -> 1136 X DORADO 55 -> 1366 X DORADO 65 -> 1808 X DORADO 75 -> 2125 X DORADO 85



9_64866_20_0_0

Section: S.A.C.
REGULATING DISTRIBUTOR

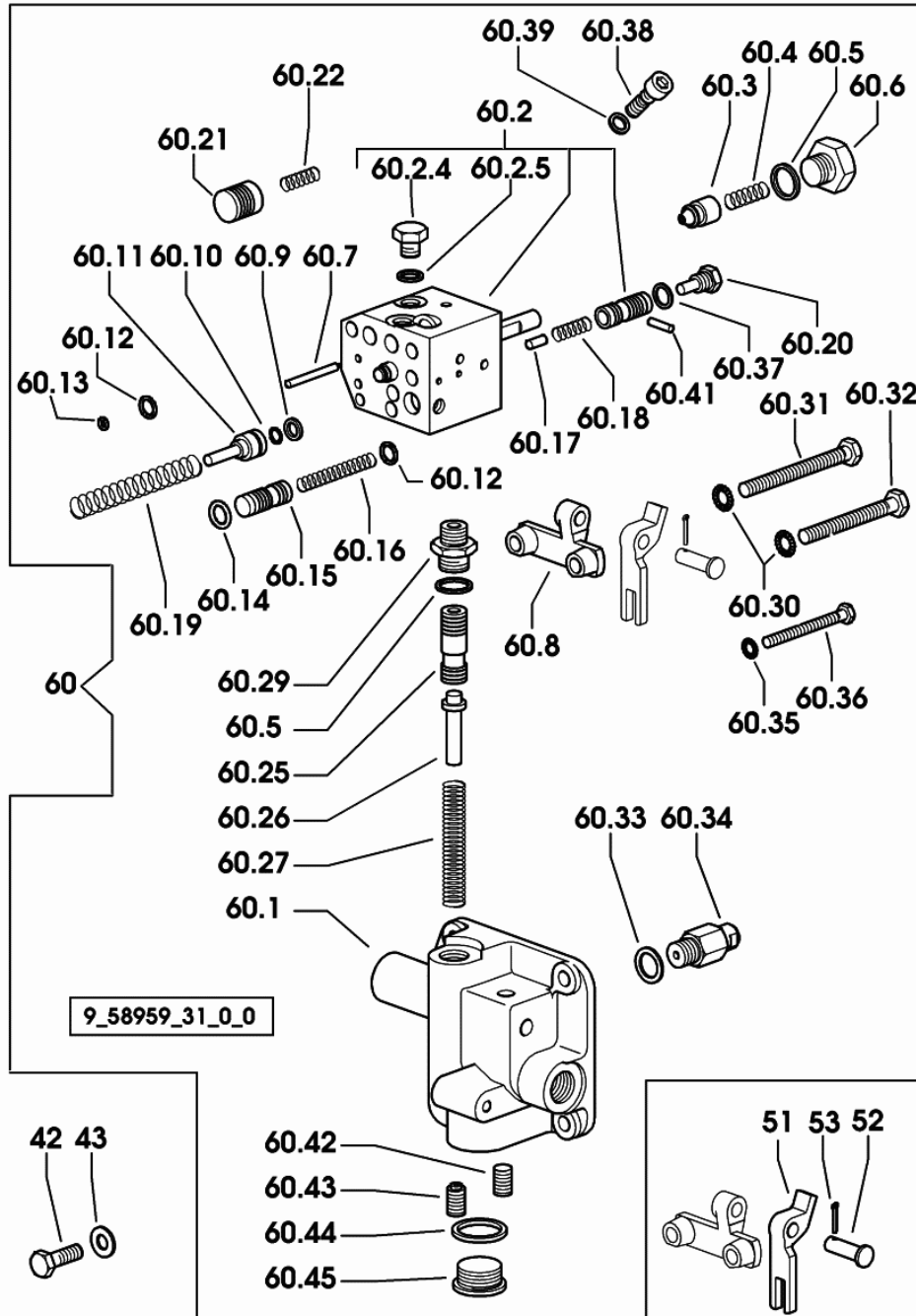


Fig.	Code	QTY	Name
42	2.0312.208.2	4	screw m 8 p.1.25 x 25
43	2.1480.014.1	4	washer 8
51	0.009.2388.0/10	1	lever
52	2.1671.307.2	1	pin 8x28
53	2.1690.206.2	1	split pin 2x16
60	0.009.2977.4/70	1	distributor
60.1	0.009.2977.3/40	1	manifold
60.2	0.009.2383.3/60	1	distributor
60.2.4	2.3110.401.1	3	plug m 10 p.1x8
60.2.5	2.1560.005.0	3	gasket 10.2 x 14
60.3	0.9087.452.3/10	1	valve
60.4	2.4019.257.1	1	spring 8.8x25x1.1
60.5	2.1560.011.0	2	gasket 16.2x20
60.6	2.3199.062.2	1	plug m 16 p.1.5
60.7	0.9087.450.0/20	1	stem
60.8	0.009.2387.0/30	1	support
60.9	0.9087.456.0	1	washer
60.10	2.1420.002.0	1	circlip a 8
60.11	0.009.3002.0/10	1	small piston
60.12	2.1531.025.0	3	'o' ring 10.82x1.78
60.13	2.1531.009.0	1	'o' ring 5.28x1.78
60.14	2.1531.033.0	1	'o' ring 13.11x2.62
60.15	0.9087.457.0/10	1	valve
60.16	2.4019.256.1	1	spring 7.8 x 54 x 1.4
60.17	2.1699.155.0	1	pin 5x11.5
60.18	2.4019.258.1	1	spring 7.8x25.5x0.9
60.19	2.4019.487.1	1	spring
60.20	2.3199.061.2	1	plug m 10 p.1
60.21	0.9087.451.0/20	1	small piston
60.22	2.4019.257.1	1	spring 8.8x25x1.1
60.25	0.009.3324.0/10	1	small piston
60.26	0.9087.468.0	1	pin
60.27	2.4019.006.1	1	spring 12.2x70x1.2
60.29	2.3261.007.2	1	pipe fitting m 16 p.1.5-9/16"
60.30	2.1470.004.2	3	washer 8
60.31	2.0112.225.2	2	screw m 8 p.1.25 x 80
60.32	2.0112.223.2	1	screw m 8 p.1.25x70
60.33	2.1560.010.0	1	gasket 14.2 x 20 x 1.5
60.34	0.9087.464.3	1	valve
60.35	2.1470.002.2	1	washer 6, d128
60.36	2.0112.021.2	1	screw m 6 p.1 x 60
60.37	2.1569.095.0	1	gasket 10.4x14x1.2
60.38	0.009.3363.3	1	screw
60.39	2.1560.003.0	1	gasket 8.2 x 12

Section: S.A.C.

SENSITIVE ELEMENTS

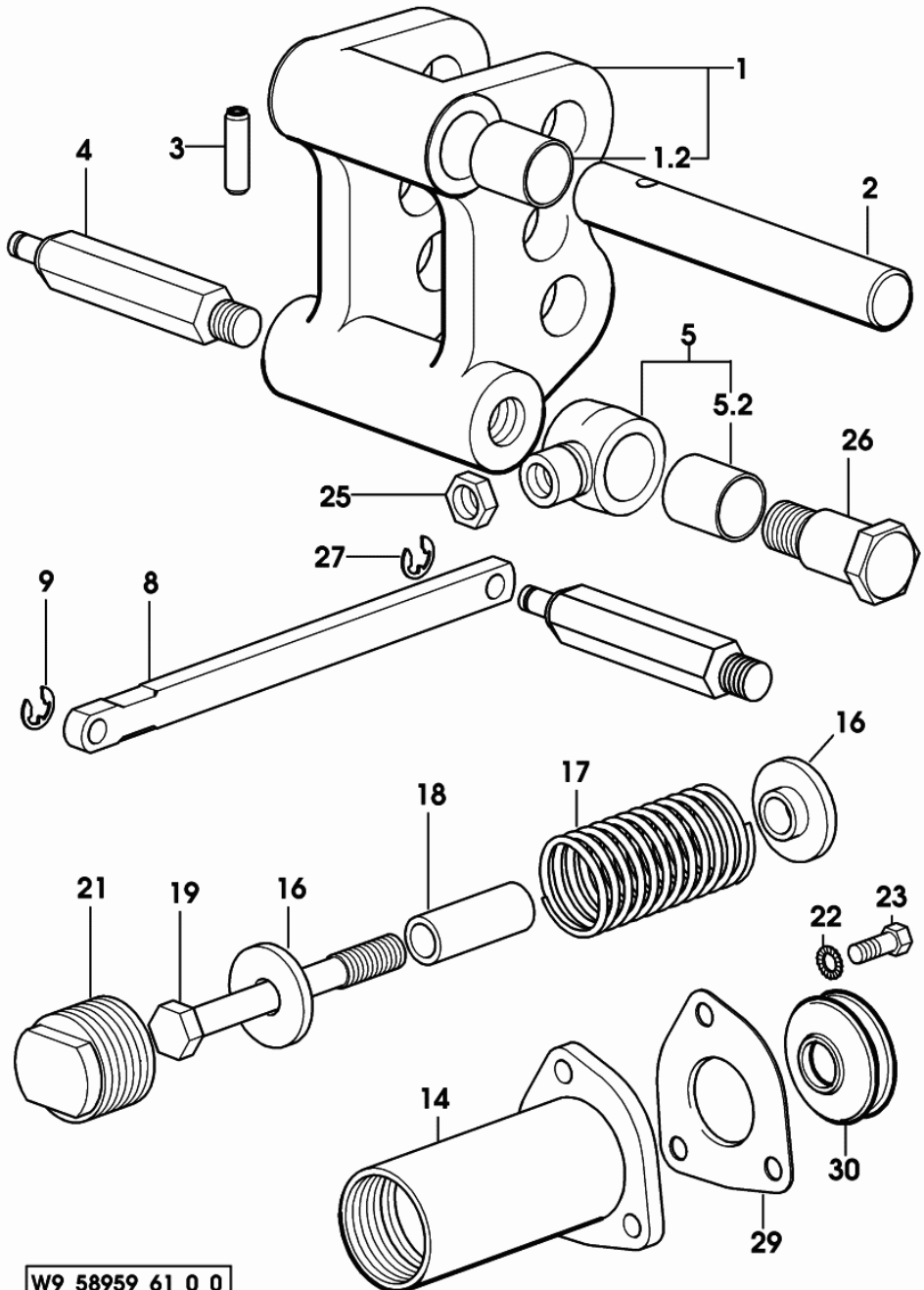
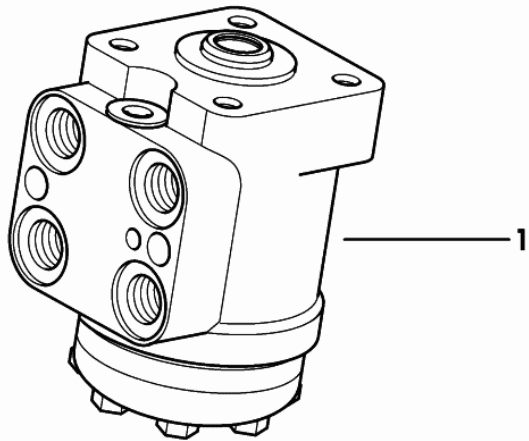


Fig.	Code	QTY	Name
1	0.009.2396.3/20	1	bracket
1.2	2.1559.332.0	2	bushing 25 x 28 x 30
2	0.009.2402.0/10	1	pin
3	2.1631.721.0	1	roll pin 8 x 60
4	0.009.3432.0/10	1	pin
5	0.009.2404.3	1	eyelet
5.2	2.1559.332.0	1	bushing 25 x 28 x 30
8	0.009.2397.0/40	1	rod
9	2.1430.008.7	1	circlip 7
14	0.009.2399.3/60	1	flange
16	0.007.1969.0/10	2	snoulder
17	2.4019.569.1/10	1	spring
18	2.1549.090.2/30	1	spacer 14x20x53
19	2.0119.191.2/20	1	screw m 14 p.1.5 x 117
21	2.3199.230.0/20	1	plug
22	2.1470.004.2	3	washer 8
23	2.0112.207.2	3	screw m 8 p 1.25 x 20
25	2.1011.308.2	1	nut m 14 p.1.5
26	0.009.3434.0	1	pin
27	2.1430.010.7	1	circlip 9
29	0.007.1979.0	1	support
30	0.007.1978.0	1	bellows

W9_58959_61_0_0

Fig.	Code	QTY	Name
1	0.009.3141.4/10	1	hydrosteering OSPC 80 OR COMPONENT PARTS SEE COMPONENTS LIST ☞ 0.009.3141.4/10 ☞ 06.00.32



9_64863_08_0_0

DORADO 55

Section: POWER STEERING - HYDRAULIC SYSTEM

Ref.: 06.00.21

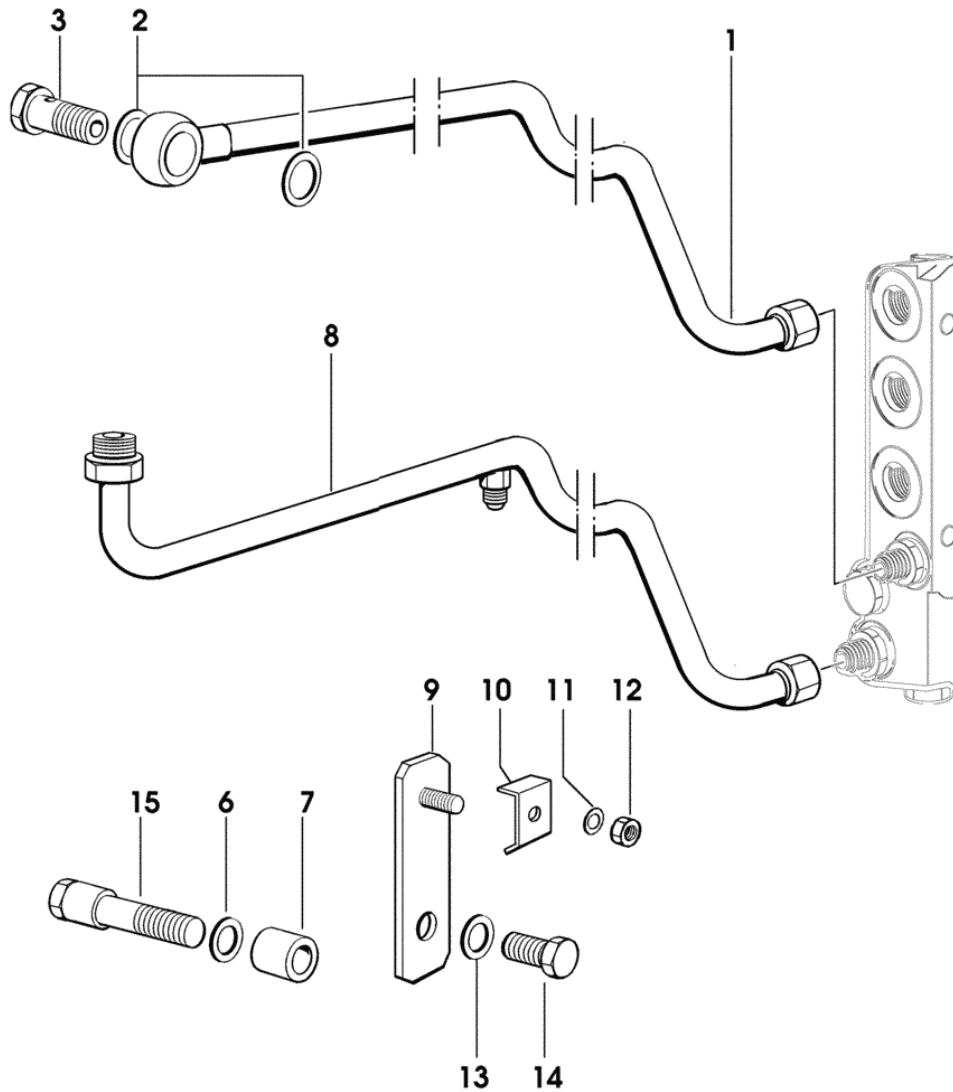
OIL FLOW CONTROL VALVE CASING - FOR TYPES WITHOUT H-M-L (AGROSHIFT)

Fig.	Code	QTY	Name
------	------	-----	------

Notes:

1265 <- X DORADO 55 1492 <- X DORADO 65 2133 <- X DORADO 75 2668 <- X DORADO 85

1	0.012.6767.3	1	tube
2	2.1560.010.0	2	gasket 14.2 x 20 x 1.5
3	2.3335.053.2	1	pipe union m 14 p.1.5x30
6	2.1470.007.2	1	lock washer 12
7	2.1579.478.0	1	spacer
8	0.010.0365.3/20	1	tube
9	0.010.0381.3	1	bracket
10	0.176.6359.0	1	clamp
11	2.1470.002.2	1	washer 6, d128
12	2.1011.103.2	1	nut m 6 p.1
13	2.1470.007.2	1	lock washer 12
14	2.0112.407.2	1	screw m 12 p.1.75 x 20
15	2.0399.224.2	1	screw m 12 p.1.75



DORADO 55

Section: POWER STEERING - HYDRAULIC SYSTEM

Ref.: 06.00.29

HYDROSTATIC STEERING PUMP - PLATFORM MODELS

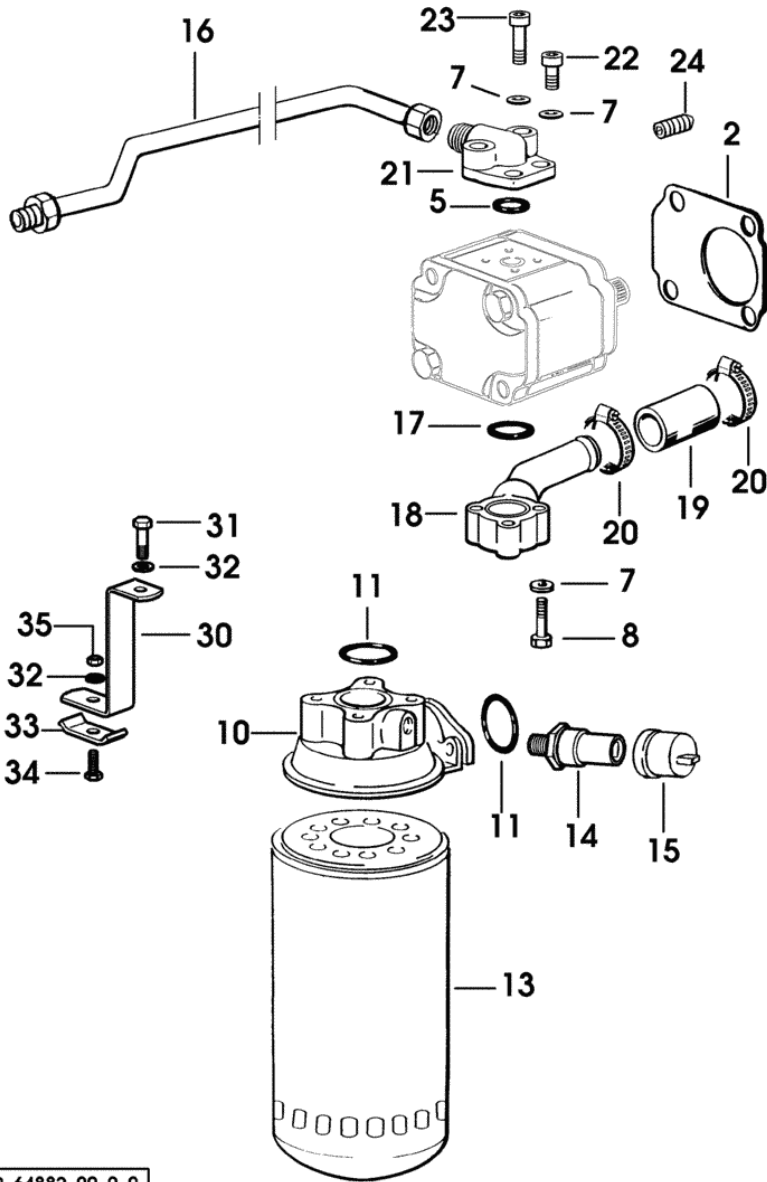


Fig.	Code	QTY	Name
------	------	-----	------

Notes:

1265 <- X DORADO 55 1492 <- X DORADO 65 2133 <- X DORADO 75 2668 <- X DORADO 85

2	0.9104.250.0/10	1	gasket
5	2.1530.052.0	1	'o' ring 20.24x2.62
7	2.1470.002.2	7	washer 6, d128
8	2.0112.013.2	3	screw m 6 p.1 x 35
10	2.4419.350.1/40	1	head
11	2.1530.091.0	2	'o' ring 34.60 x 2.62
13	2.4419.280.0	1	hydr.oil filter elem FT 4948
14	2.7099.660.0/10	1	pressure switch 0.4/0.5 BAR
15	0.008.1331.0	1	guard
16	0.007.7694.3/10	1	tube
17	2.1530.062.0	1	'o' ring 23.81 x 2.62
18	0.007.6144.3	1	tube
19	2.3213.120.0	1	sleeve 20x60
20	2.6850.007.0	2	clamp 25-40
21	0.008.9626.0	1	pipe fitting
22	2.0312.105.2	2	screw m 6 p.1 x 18
23	2.0312.114.2	2	screw m 6 p.1x40
24	2.0512.303.7	4	screw m 10 p.1.5 x 10
30	0.011.4320.0	1	square
31	2.0112.203.2	1	screw m 8 p.1.25 x 12
32	2.1470.004.2	2	washer 8
33	0.173.6363.0	1	terminal
34	2.0112.213.2	1	screw m 8 p.1.25 x 35
35	2.1011.105.2	1	nut m 8 p.1.25

9_64882_00_0_0

DORADO 55

Section: POWER STEERING - HYDRAULIC SYSTEM

Ref.: 06.00.38

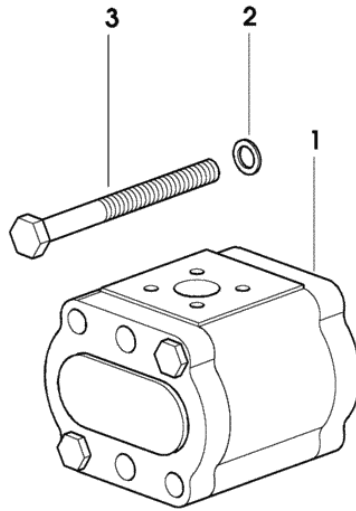
HYDRAULIC PUMP WITHOUT S.A.C. 8 cc dx

Fig.	Code	QTY	Name
------	------	-----	------

Notes:

1243 <- X DORADO 55 1457 <- X DORADO 65 2064 <- X DORADO 75 2533 <- X DORADO 85

1	2.4539.080.0	1	hydraulic pump 8 cc dx COMPONENT PARTS SEE COMPONENTS LIST ☞ 2.4539.080.0 ☞ 06.00.40
2	2.1474.010.2	2	washer 10
3	2.0312.325.2	2	screw m 10 p.1.5x95



Section: WHEELS
WHEELS 12.4/11x20" a8

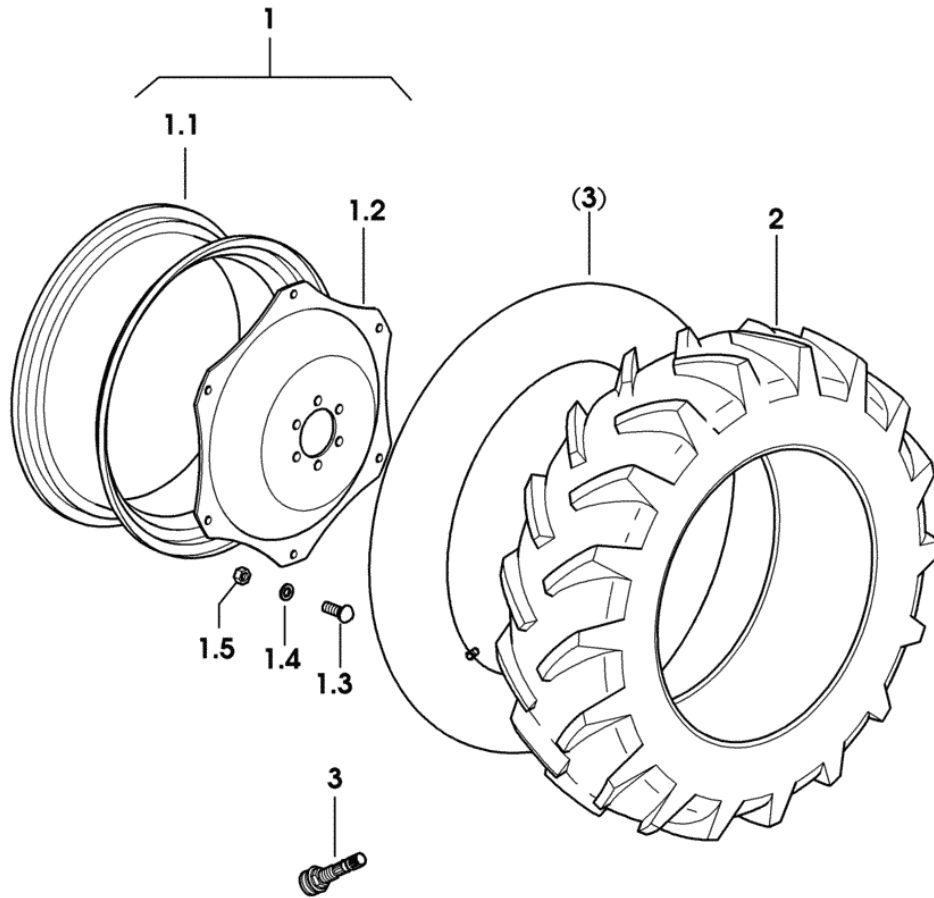


Fig.	Code	QTY	Name
1	0.000.0000.1	0	not serviceable 1284 <- X DORADO 55 1507 <- X DORADO 65 2167 <- X DORADO 75 2728 <- X DORADO 85 -> 1285 X DORADO 55 -> 1508 X DORADO 65 -> 2168 X DORADO 75 -> 2729 X DORADO 85
1.1	0.012.2829.3	1	rim W 11x20" C/ST 1284 <- X DORADO 55 1507 <- X DORADO 65 2167 <- X DORADO 75 2728 <- X DORADO 85
1.1	0.013.4310.3	1	rim W 10x20" C/ST -> 1285 X DORADO 55 -> 1508 X DORADO 65 -> 2168 X DORADO 75 -> 2729 X DORADO 85
1.2	0.010.4301.0	1	rim center flange
1.3	2.0099.005.6	6	screw m 16 p.1.5 x 38
1.4	2.1499.019.6	6	washer 16.3 x 31.5
1.5	2.1019.059.6	6	nut m 16 p.1.5 x 16
2	2.4819.075.0	2	tyre 12.4/11x20" a8
3	2.4829.032.0	2	air chamber (...) <- X DORADO 55 (...) <- X DORADO 65 (...) <- X DORADO 75 (...) <- X DORADO 85
3	0.012.6364.0	2	valve -> (...) X DORADO 55 -> (...) X DORADO 65 -> (...) X DORADO 75 -> (...) X DORADO 85

9_59255_22_0_0

CLICK HERE TO **DOWNLOAD** THE COMPLETE MANUAL

- Thank you very much for reading the preview of the manual.
- You can download the complete manual from: www.heydownloads.com by clicking the link below



- Please note: If there is no response to CLICKING the link, please download this PDF first and then click on it.

CLICK HERE TO **DOWNLOAD** THE COMPLETE MANUAL